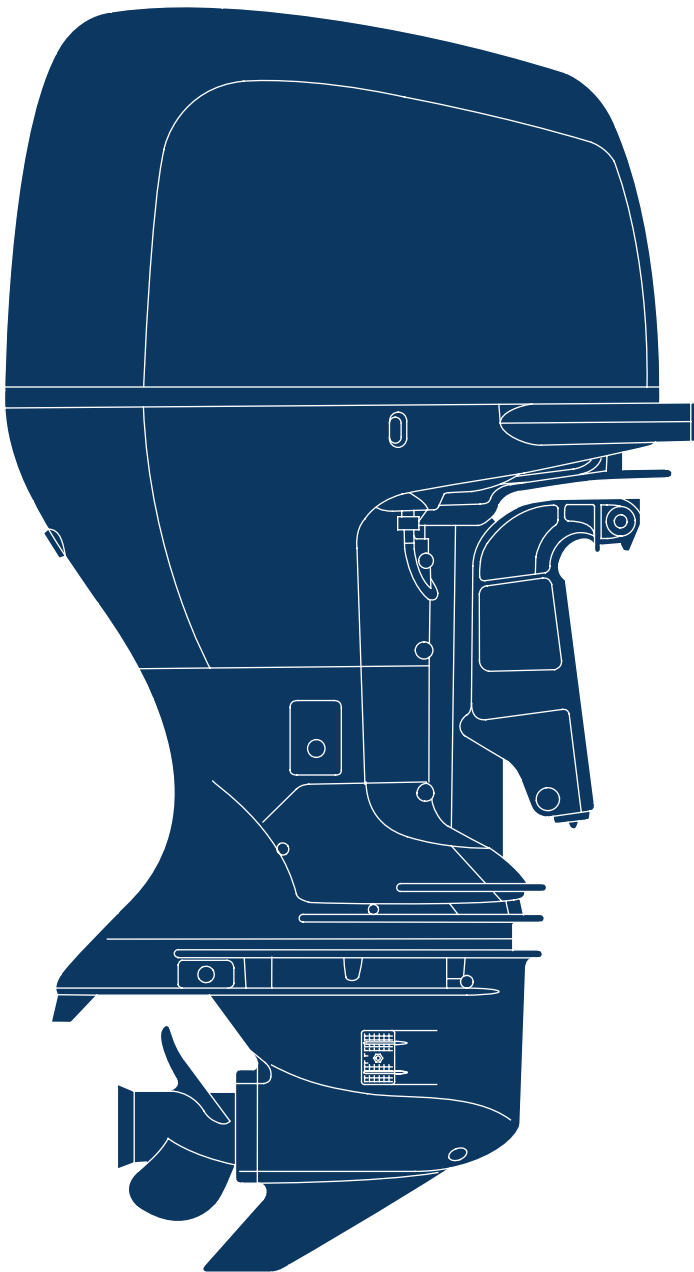


# 2015 PARTS CATALOG

 TOHATSU



**BFT 200A**  
**BFT 225A**

**OB NO.002-13ZY2-1**  
**1411EU/EX**



# Instruction for use of parts catalogue

- **This parts catalogue was prepared based on the latest information available as of October 1, 2014.**
- See the Service Bulletin for any revision that is made after October 1, 2014.
- **Always specify the part number when ordering a part.**
  - Check the model, type, serial numbers, color, maker, and the size as needed before ordering a part.
  - Note that the illustrations (part drawings) can differ from the actual parts in shape.  
Illustrations are given just to help you to refer to the parts.
- **When modifications or additions to this parts catalogue are made, a revised edition will be issued at an appropriate time, with successively progressing revision numbers on the cover. We recommend obtaining such revisions in order to keep your parts catalogue up-to-date at all times.**

**Initial version issue date October 1, 2014**

## CONTENTS

E-1	CYLINDER HEAD COVER	1
E-3	CYLINDER BLOCK	3
E-3-10	CRANKCASE	7
E-4	EXHAUST MANIFOLD/THERMOSTAT	9
E-5	OIL PUMP/FLYWHEEL	11
E-6	OIL PAN	13
E-6-10	MOUNT CASE	15
E-7	CRANKSHAFT/PISTON	19
E-9	CYLINDER HEAD	23
E-9-10	CAMSHAFT/ROCKER ARM	25
E-13	TIMING BELT	27
E-13-10	TIMING BELT COVER	29
E-14	FUEL PIPE/INJECTOR	31
E-14-10	INTAKE MANIFOLD	35
E-15	THROTTLE BODY	37
E-18	VAPOR SEPARATOR ASSY	39
E-18-2	WATER SEPARATOR/FUEL STRAINER	43
E-18-10	PIPING	47
E-19	A.C.GENERATOR	49
E-20	SPARK PLUG	51
E-20-11	ELECTRONIC CONTROL UNIT	53
E-21	STARTER MOTOR	55
F-2	SHIFT SHAFT	57
F-3	GEAR CASE	61
F-3-10	GEAR CASE ASSY	63
F-3-20	EXTENSION CASE	65
F-4	WATER PUMP/VERTICAL SHAFT	71
F-5	PROPELLER SHAFT	75
F-6	FUEL TUBE	79
F-7	WIRE HARNESS	81
F-7-11	STARTER CABLE	83
F-7-30	FUSE BOX/RELAY	85
F-8	ENGINE COVER	87
F-8-10	FR.COVER BRACKET/FR.LOCK SHAFT	89
F-8-20	FUEL TUBE (2)	93
F-10	STERN BRACKET/SWIVEL CASE	95
F-11	POWER TRIM-TILT	101
F-12	LABEL	105
F-13	TOOL	107
FOP-1	RIGGING HOSE KIT	109
FOP-2	WATER PUMP IMPELLER SET	111
FOP-3	REMOTE CONTROL (TOP MOUNT SINGLE TYPE) (RIGHT)	113
FOP-3-2	REMOTE CONTROL (TOP MOUNT DUAL TYPE) (RIGHT)	117
FOP-3-4	REMOTE CONTROL (FLUSH MOUNT TYPE) (RIGHT)	121
FOP-3-6	REMOTE CONTROL	123
FOP-4	SWITCH PANEL KIT (1)	129
FOP-4-1	SWITCH PANEL KIT (2)	133
FOP-5-1	METER	135
FOP-7	BOLT KIT	137
FOP-9	TRIM ADJUST PLATE SET	139
FOP-10	PROPELLER	141
FOP-12	INTERFACE CABLE KIT	143
INDEX		145
INDEX (Parts Number)		151



# Part catalogue structure

Ref.No.	Part No.	Description	Q.ty		Remarks
			MIN	MAX	
E-14-10	1	HCY3-17105-004	1	1	
E-14-10	2	HCY3-17108-004	1	1	
E-14-10	3	HCY3-17110-003	1	1	
E-14-10	4	HCY3-17112-003	1	1	
E-14-10	5	HCY3-17130-0032A	1	1	MHH+ DARK GRAY
E-14-10	6	HCY3-17138-004	1	1	COVER
E-14-10	7	HMS3-17201-000	1	1	
E-14-10	8	HCY3-30128-000	1	1	
E-14-10	9	HFM-30145-004	1	1	
E-14-10	10	HCY3-30143-003	1	1	
E-14-10	11	HPR3-30140-300	1	1	
E-14-10	12	HFM-31330-A01	1	1	
E-14-10	13	HPR3-31330-A01	1	1	
E-14-10	14	HCY3-90023-000	10	10	
E-14-10	15	HCY3-90029-000	1	1	
E-14-10	16	HCY3-90021-000	1	1	
E-14-10	17	HCY3-90028-000	1	1	
E-14-10	18	HDM-90156-000	7	7	
E-14-10	19	HCY3-90205-000	2	2	
E-14-10	20	HCO-95001-05040-40	1	1	⑩ HCO-95001-35001-05001
E-14-10	21	HCO-95001-05130-40	1	1	⑩ HCO-95001-35001-05001
E-14-10	22	HCO-95001-05040-40	1	1	⑩ HCO-95001-35001-05001
E-14-10	23	HCO-95001-05030-40	1	1	⑩ HCO-95001-35001-05001
E-14-10	24	HCO-95001-05020-40	1	1	⑩ HCO-95001-35001-05001

① Fig. Number

② Fig. Title

③ Ref. Number

④ Parts Number

⑤ Parts Name

⑥ Q.ty

⑦ Remarks

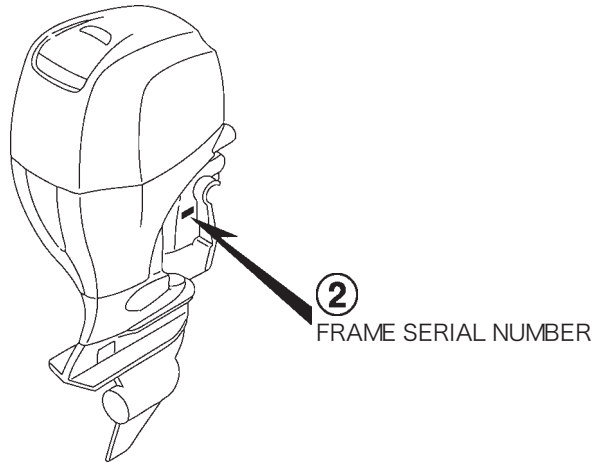
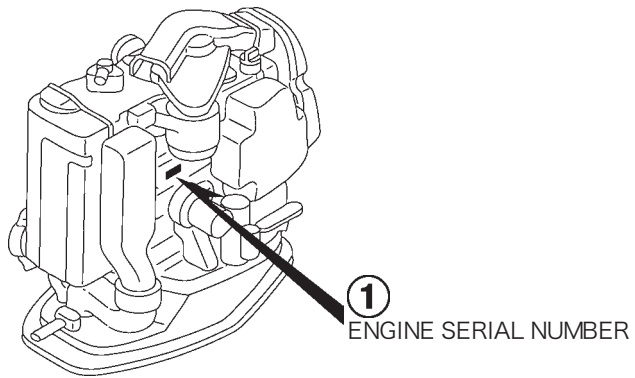
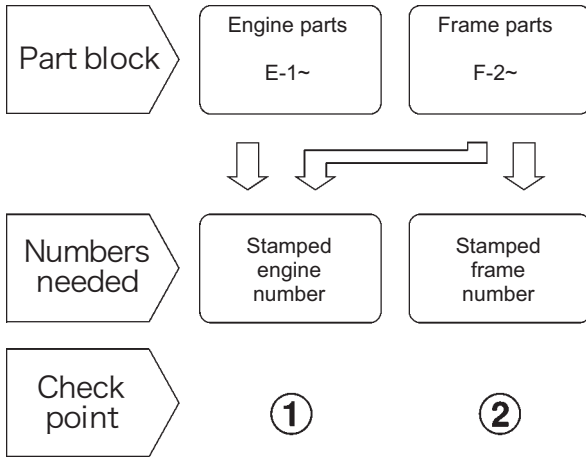
⑧ Different specification

⑨ Direction Arrow

⑩ Parts enclosed within a dotted line are sub assembly parts.

⑪ A solid arrow indicates the block No. the part in question is connected to.

# How to check the part block and serial numbers



## Models, parts catalogue codes and applicable serial numbers

- Models, parts catalogue codes and applicable serial Nos. given in this parts catalogue can be identified as follows.

Model	Type	Parts catalogue type	Engine		Applicable engine serial No.	Applicable frame serial No.
			Model	Type		
BFT 200A	LU	LU	BF 200AK3	SE	BEAEJ-1300001~	BAEJ-6000051~
	XD	XD				
	XU	XU				
BFT225A	XD	XD	BF 225AK3	SE	BEAGJ-1300001~	BAGJ-6000083~
	XU	XU				

## Features of each type

- See the following table for the features of each type. (Items in brackets are optional)

Specifications		Model	BFT 200AK3		
		Type	LU	XD	XU
Transom height	508 mm		●		
	635 mm			●	●
Trim tab			●	●	●

Specifications		Model	BFT 225AK3	
		Type	LU	XD
Transom height	635 mm		●	●
Trim tab			●	●

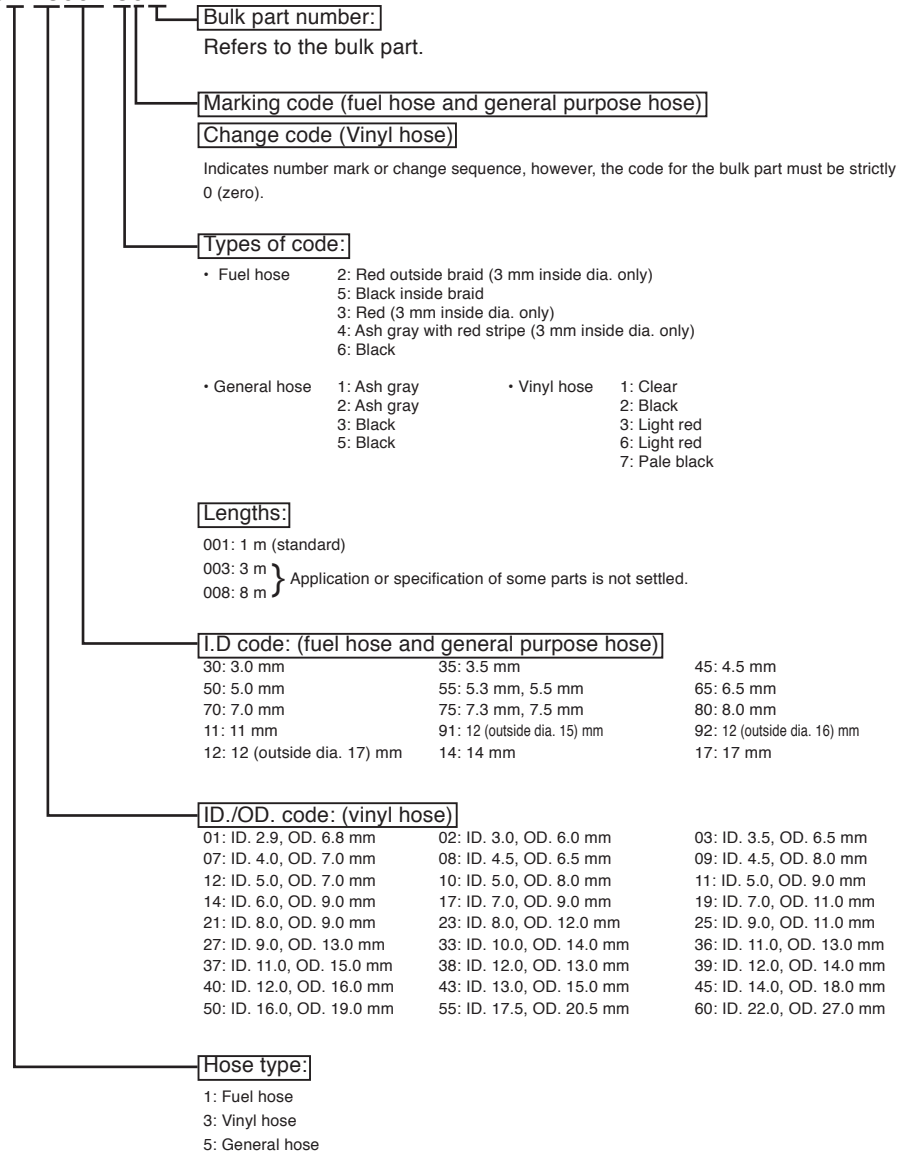


# Fuel hose, general purpose hoses and vinyl hose

- The standard part fuel hose, general purpose hose and vinyl hose may be substituted by the coiled bulk part.
- When ordering the standard part fuel hose, general purpose hose and vinyl hose use the bulk part number written in the parts catalog in brackets ( ) underneath the part name.
- When exchanging the hose, cut and use at the specified length as mentioned in the part name. (For the method of cutting the bulk part, and method of filling out orders etc., please refer to the instructions issued with the bulk part.)

## Bulk part number of fuel hose, general purpose hose and vinyl hose.

Example: 95001-75001-50M

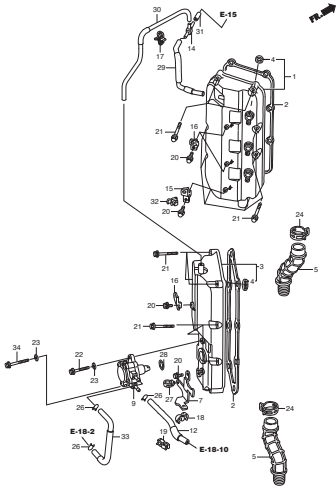


## CAUTION: It is DANGEROUS to confuse the fuel hose with the general purpose hose or vinyl hose.

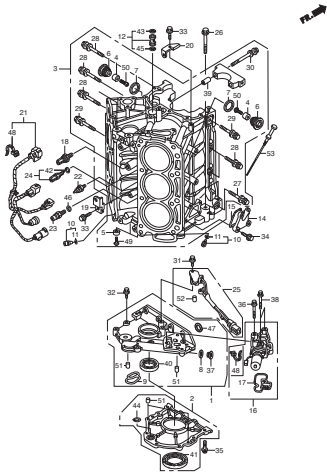
Never use a general purpose hose or vinyl hose in place of a fuel hose or vice versa.

Always use the correct bulk part in the parts catalogue, according to the service manual or the instructions issued with the bulk part.

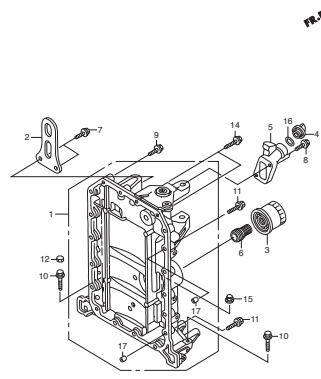
E-1 CYLINDER HEAD COVER



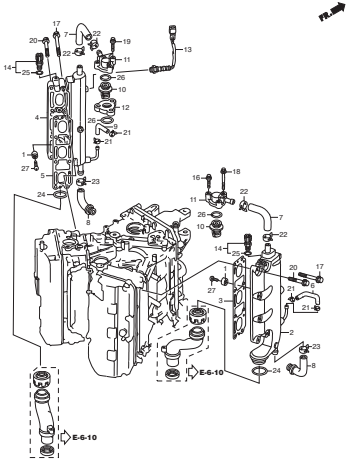
E-3 CYLINDER BLOCK



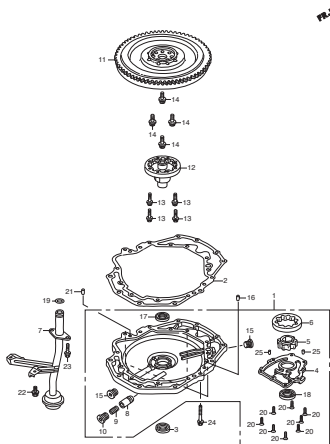
E-3-10 CRANKCASE



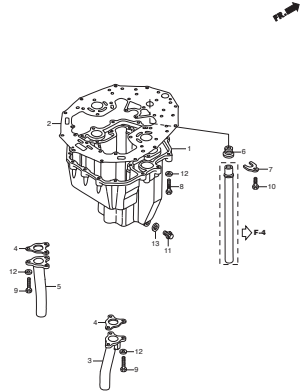
E-4 EXHAUST MANIFOLD/THERMOSTAT



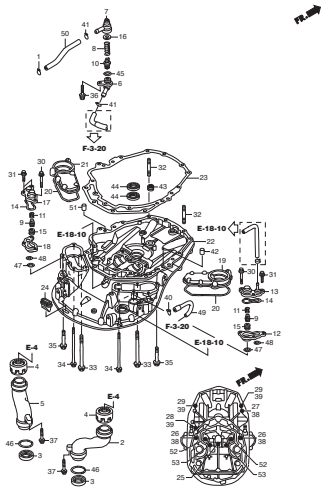
E-5 OIL PUMP/FLYWHEEL



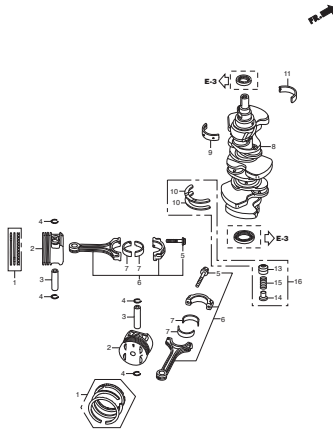
E-6 OIL PAN



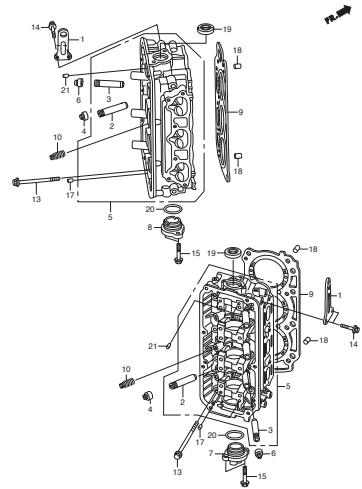
E-6-10 MOUNT CASE



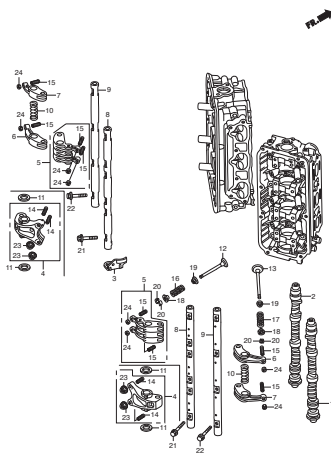
E-7 CRANKSHAFT/PISTON



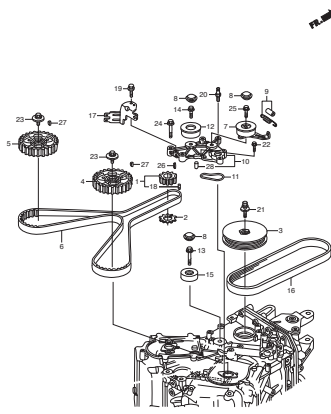
E-9 CYLINDER HEAD



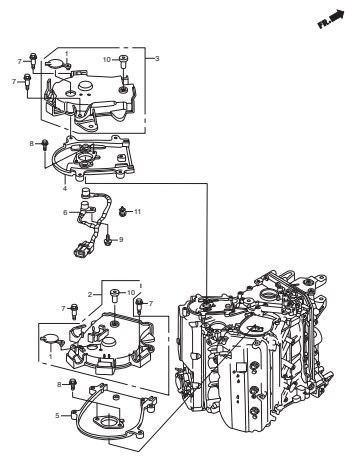
E-9-10 CAMSHAFT/ROCKER ARM



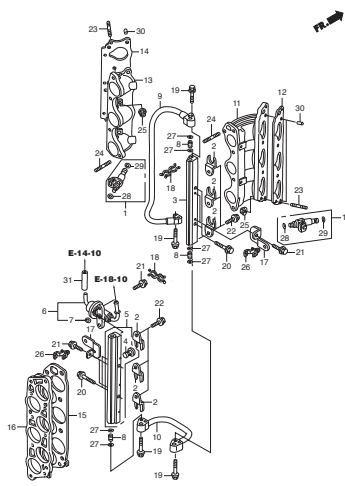
E-13 TIMING BELT



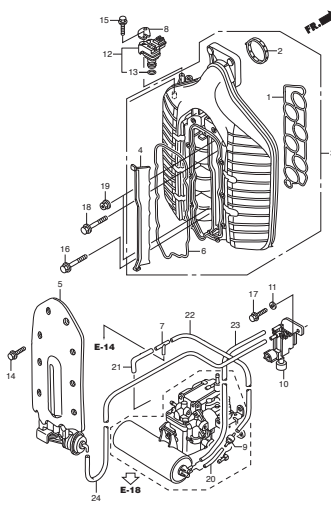
E-13-10 TIMING BELT COVER



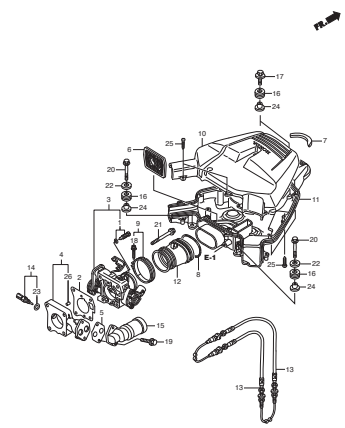
E-14 FUEL PIPE/INJECTOR



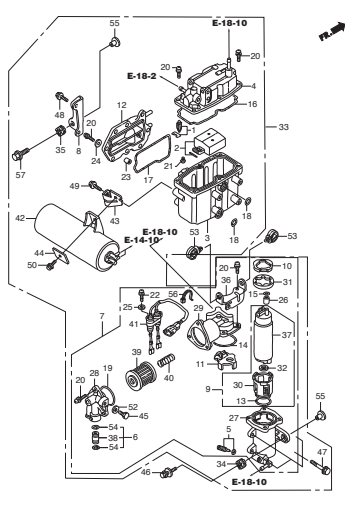
E-14-10 INTAKE MANIFOLD



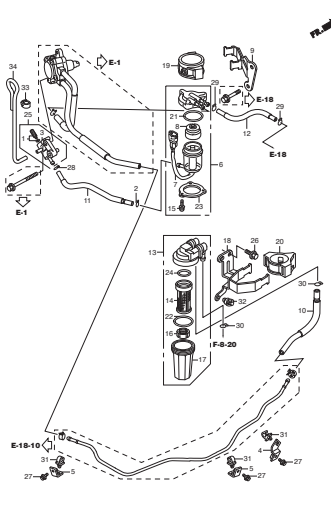
E-15 THROTTLE BODY



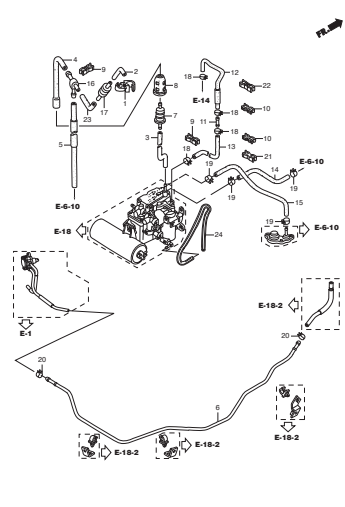
E-18 VAPOR SEPARATOR ASSY



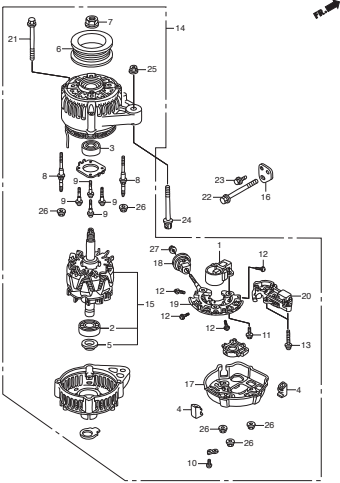
E-18-2 WATER SEPARATOR/FUEL STRAINER



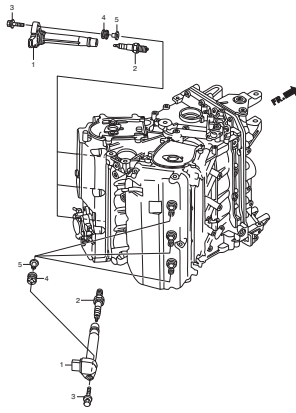
E-18-10 PIPING



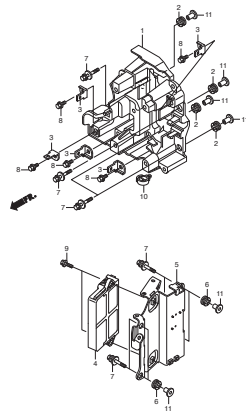
E-19 A.C.GENERATOR



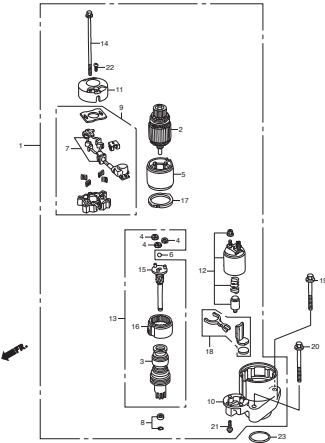
E-20 SPARK PLUG



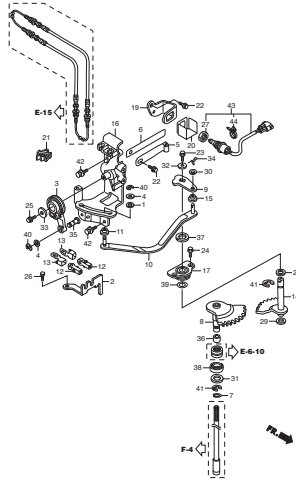
E-20-11 ELECTRONIC CONTROL UNIT



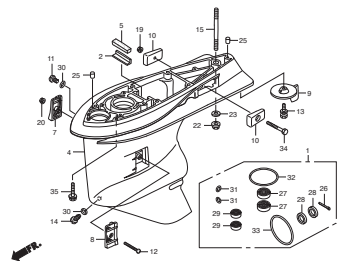
E-21 STARTER MOTOR



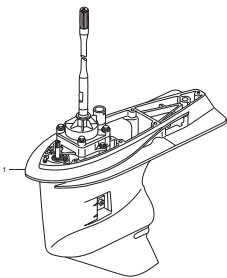
F-2 SHIFT SHAFT



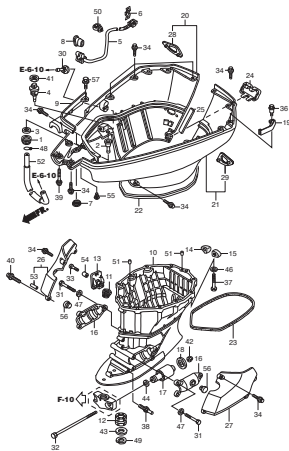
F-3 GEAR CASE



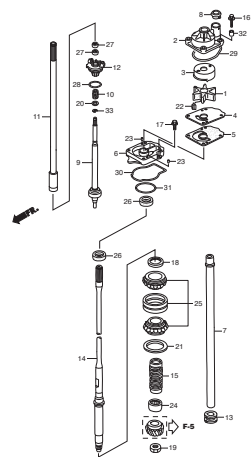
F-3-10 GEAR CASE ASSY



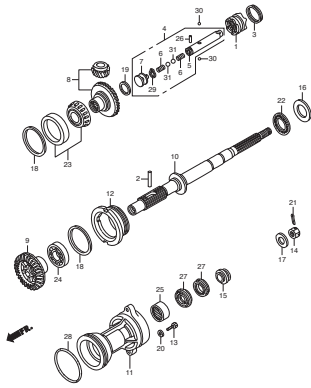
F-3-20 EXTENSION CASE



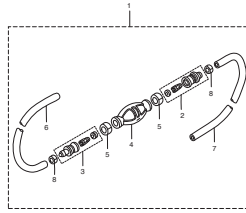
F-4 WATER PUMP/VERTICAL SHAFT



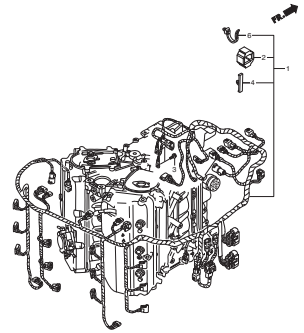
F-5 PROPELLER SHAFT



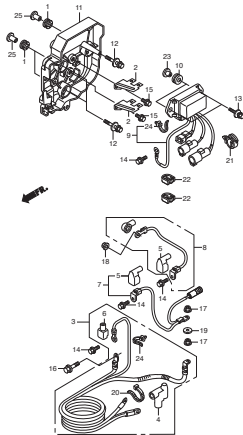
F-6 FUEL TUBE



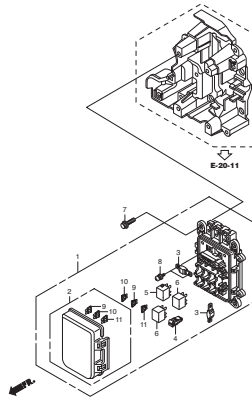
F-7 WIRE HARNESS



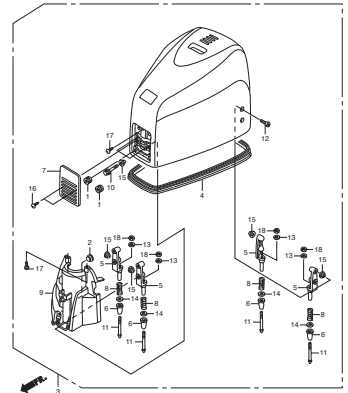
F-7-11 STARTER CABLE



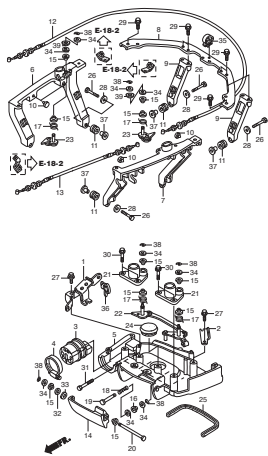
F-7-30 FUSE BOX/RELAY



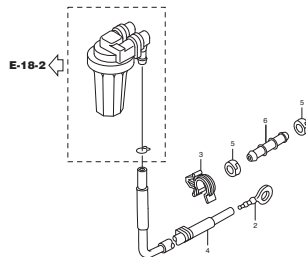
F-8 ENGINE COVER



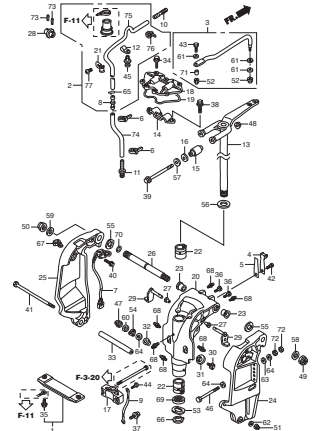
F-8-10 FR.COVER BRACKET/FR.LOCK SHAFT



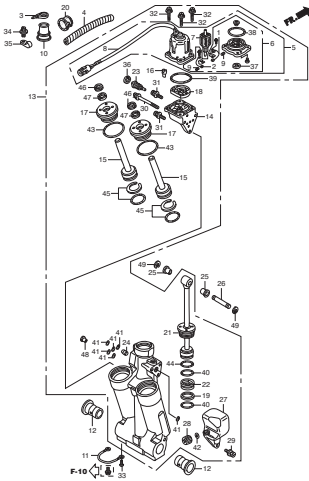
F-8-20 FUEL TUBE (2)



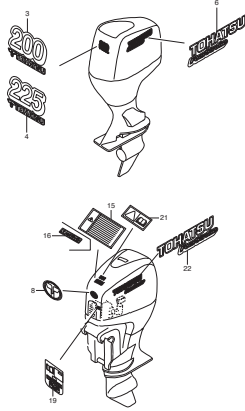
F-10 STERN BRACKET/SWIVEL CASE



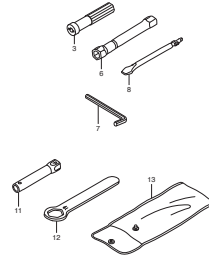
F-11 POWER TRIM-TILT



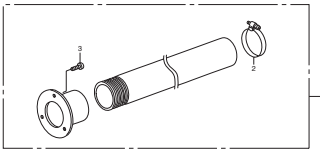
F-12 LABEL



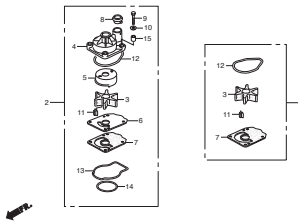
F-13 TOOL



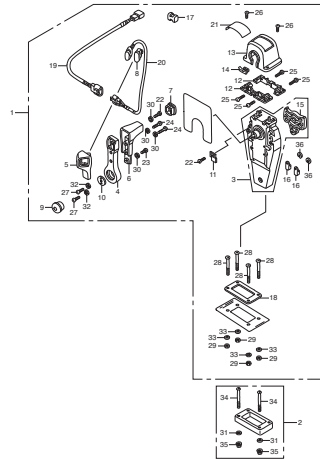
FOP-1 RIGGING HOSE KIT



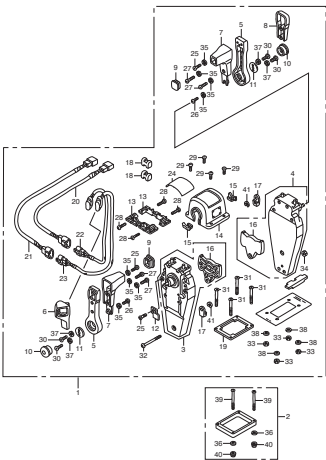
FOP-2 WATER PUMP IMPELLER SET



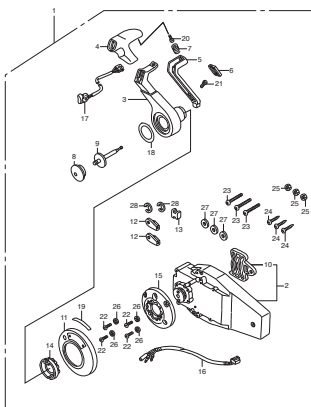
FOP-3 REMOTE CONTROL (TOP MOUNT SINGLE TYPE) (RIGHT)



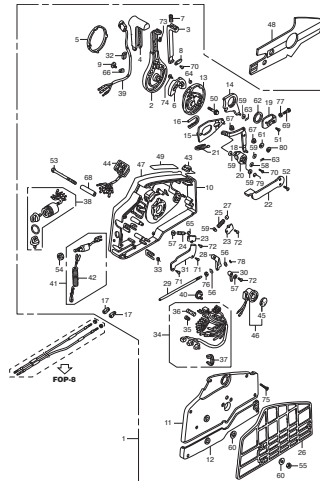
FOP-3-2 REMOTE CONTROL (TOP MOUNT DUAL TYPE) (RIGHT)



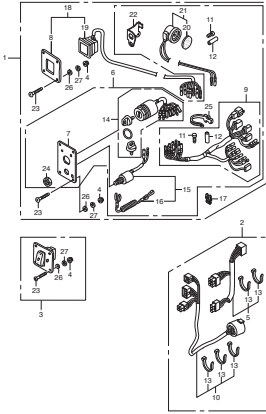
FOP-3-4 REMOTE CONTROL (FLUSH MOUNT TYPE) (RIGHT)



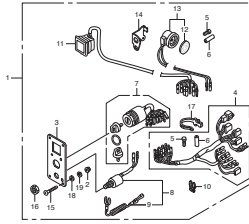
FOP-3-6 REMOTE CONTROL



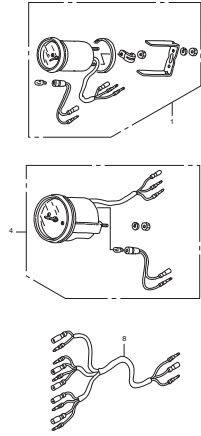
FOP-4 SWITCH PANEL KIT (1)



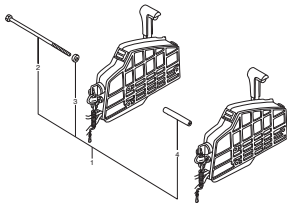
FOP-4-1 SWITCH PANEL KIT (2)



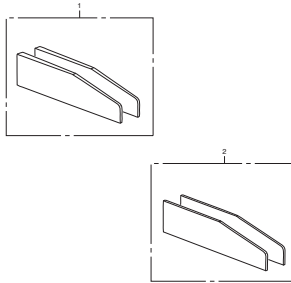
FOP-5-1 METER



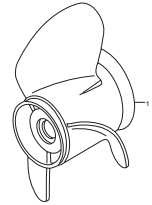
FOP-7 BOLT KIT



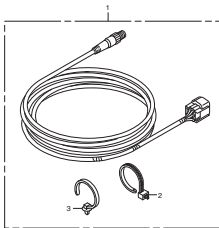
FOP-9 TRIM ADJUST PLATE SET



FOP-10 PROPELLER



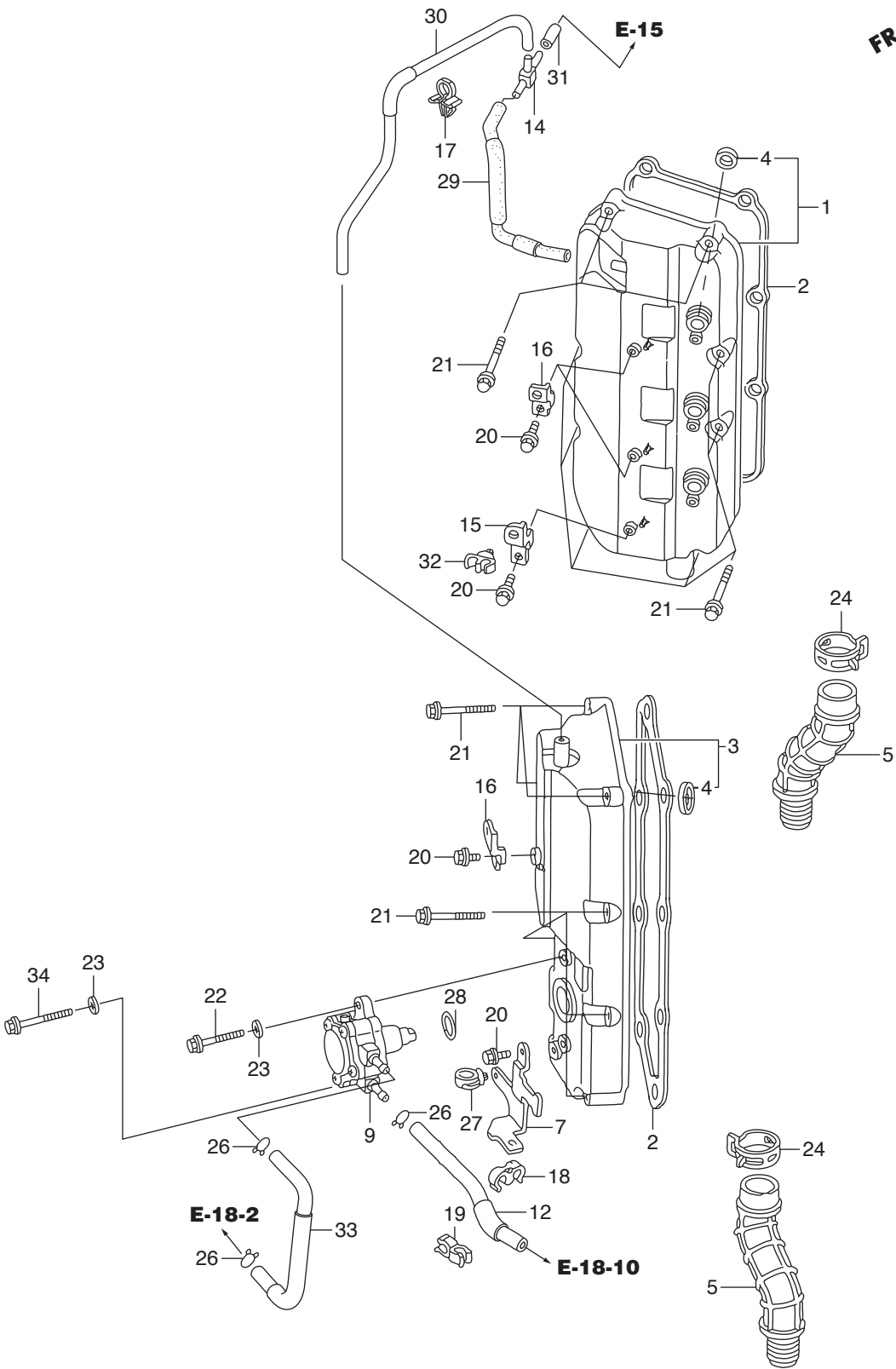
FOP-12 INTERFACE CABLE KIT



E-1

CYLINDER HEAD COVER

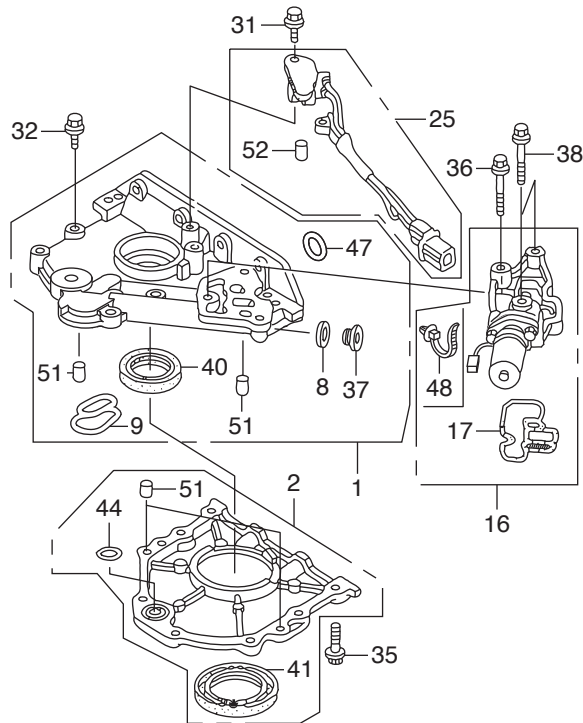
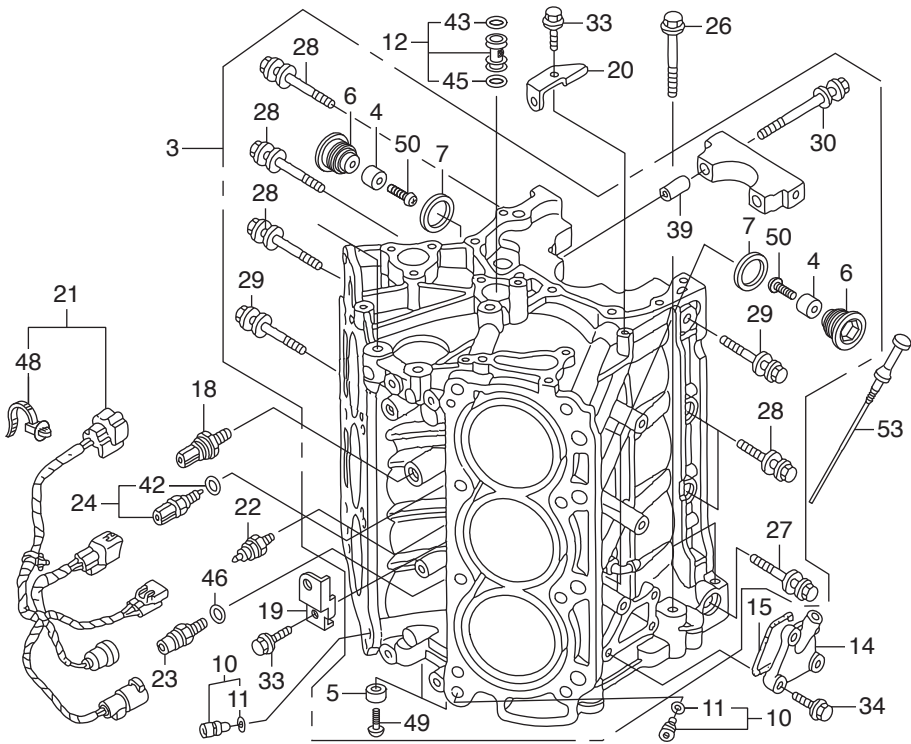
FR. →





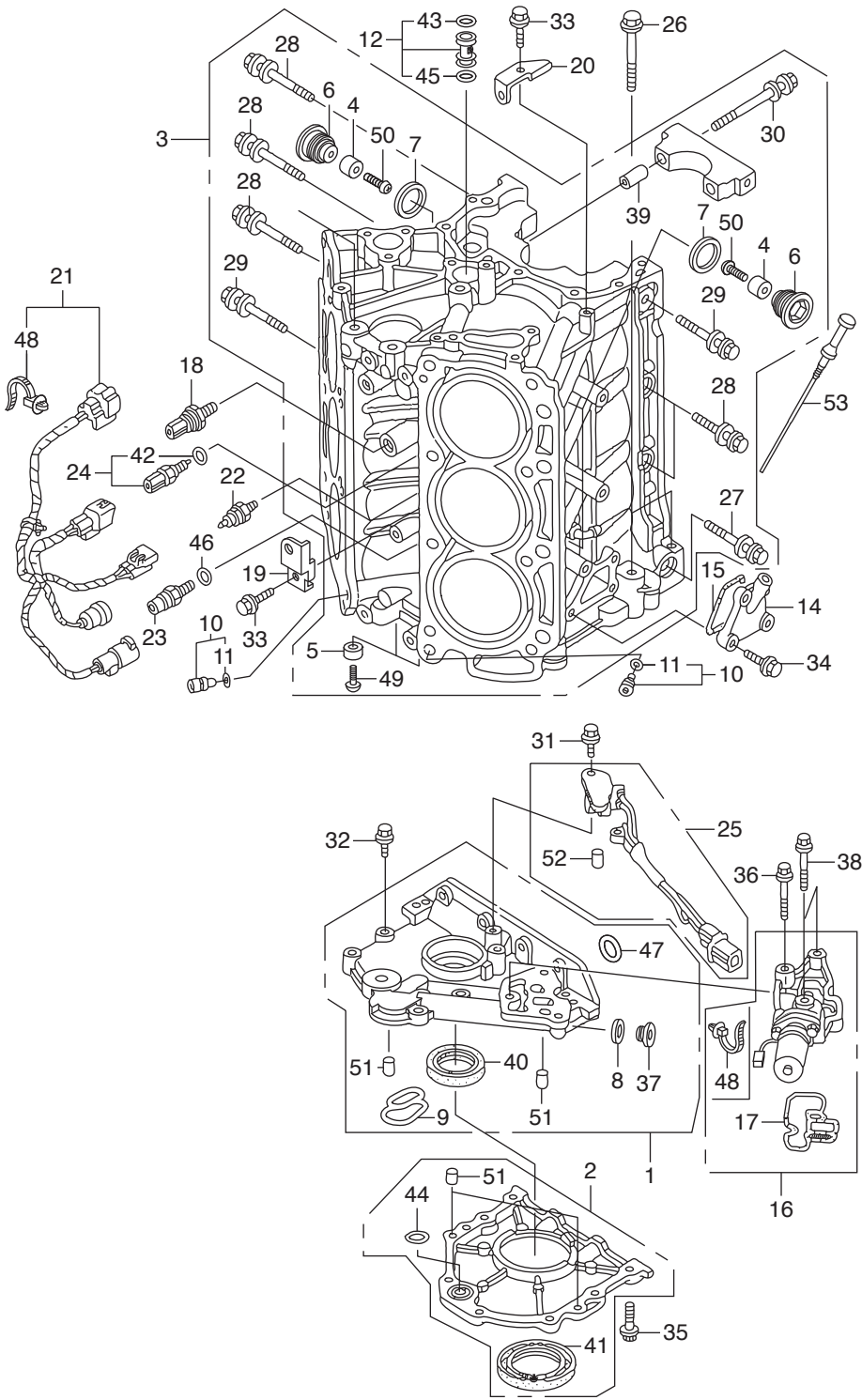
Ref.No.	Part No.	Description	Q' ty		Remarks	
			BFT200A	BFT225A		
E-1	1	HZY3-12310-405ZA	COVER, R. CYLINDER HEAD	1	1	*NH8* DARK GRAY
E-1	2	HZY3-12312-000	PACKING, HEAD COVER	2	2	
E-1	3	HZY3-12320-405ZA	COVER, L. CYLINDER HEAD	1	1	*NH8* DARK GRAY
E-1	4	HP08-12342-004	SEAL, SPARK PLUG TUBE(NOK)	6	6	
E-1	5	HZY3-15425-010	TUBE, OIL	2	2	
E-1	7	HZY3-16203-000	BRACKET, SOLENOID VALVE	1	1	
E-1	9	HZX2-16700-003	PUMP ASSY., FUEL	1	1	
E-1	12	HZY3-16895-000	TUBE COMP. G, FUEL	1	1	
E-1	14	HMT2-17193-000	T-JOINT	1	1	
E-1	15	HZW9-32114-730	BRACKET, CLIP B	1	1	
E-1	16	HZY3-32129-000	BRACKET C, HARNESS CLIP	3	3	
E-1	17	HHE0-50310-003	CLIP A, WIRE	1	1	
E-1	18	HSE0-53740-953	CLIP, SENSOR HOSE	1	1	
E-1	19	HSD9-54316-013	CLIP, SHIFT WIRE	1	1	
E-1	20	HZW9-90011-000	BOLT, FLANGE, 6X14(CT200)	5	5	
E-1	21	HZW9-90019-000	BOLT, FLANGE, 6X35	16	16	
E-1	22	HZY3-90036-000	BOLT, FLANGE, 8X32	1	1	
E-1	23	HZY3-90406-000	WASHER, PLAIN, 8MM	2	2	
E-1	24	HZY3-90602-020	CLAMP, TUBE(D32.5)	2	2	
E-1	26	HZV0-90604-000	CLIP, TUBE(B12)	3	3	
E-1	27	HZB7-90691-003	CLIP, HARNESS	1	1	
E-1	28	HKT7-91305-003	O-RING, 37X2.4(ARAI)	1	1	
E-1	29	HZY3-91401-A00	TUBE COMP. A, BREATHER	1	1	
E-1	30	HZY3-91402-020	TUBE B, BREATHER	1	1	
E-1	31	HZY3-91403-000	TUBE C, BREATHER	1	1	
E-1	32	HSK7-91566-003	CLIP D, WASHER TUBE	1	1	
E-1	33	HZX2-16870-000	TUBE COMP. C, FUEL	1	1	
E-1	34	HZW4-90126-000	BOLT, FLANGE, 8X45	1	1	

FR. 



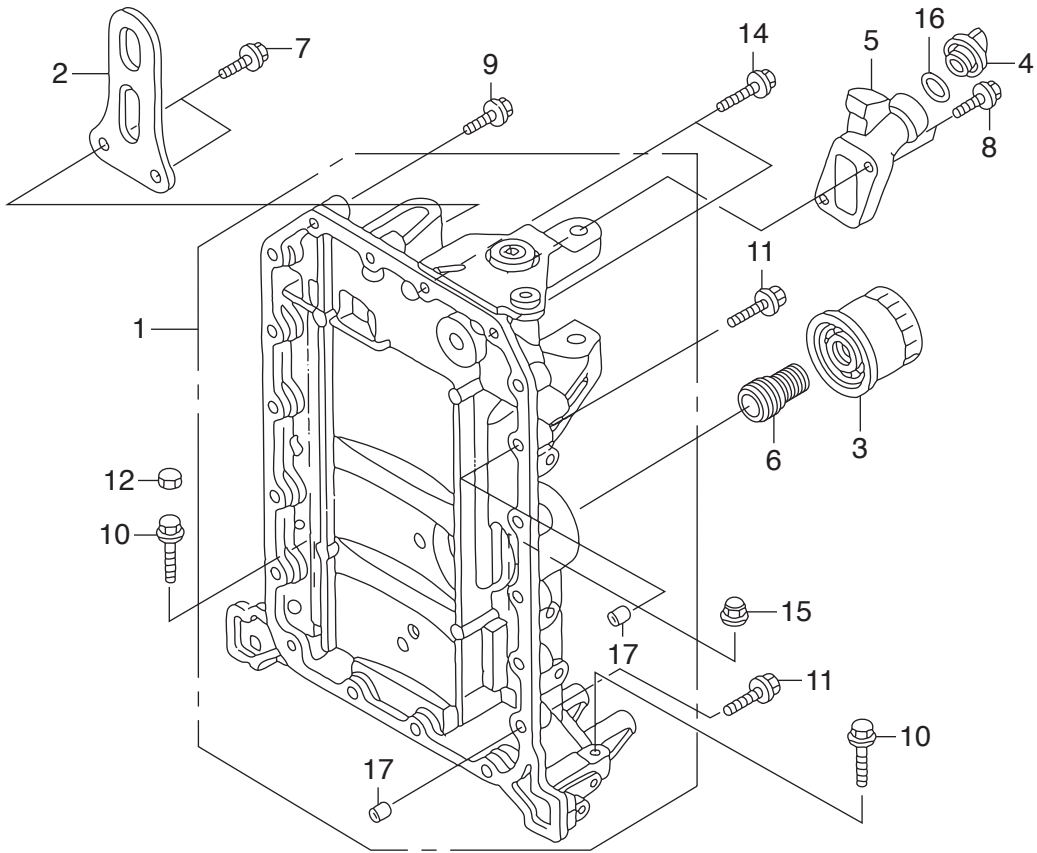
Ref.No.	Part No.	Description	Q' ty		Remarks	
			BFT200A	BFT225A		
E-3	1	HZY3-11200-010ZA	COVER ASSY., CRANKCASE UPPER	1	1	*NH8* DARK GRAY
E-3	2	HZY3-11300-C00	CASE ASSY., OIL SEAL	1	1	
E-3	3	HZY3-12000-436ZA	BLOCK ASSY., CYLINDER	1	1	*NH8* DARK GRAY
E-3	4	HZV4-12155-A00	METAL, ANODE	6	6	
E-3	5	HZY3-12155-000	METAL, ANODE	2	2	
E-3	6	HZY3-12164-000	BOLT, SEALING, 22MM	6	6	
E-3	7	HZY3-12171-305	WASHER, SEALING, 22MM	6	6	
E-3	8	HZV5-12214-000	WASHER, SEALING(22MM)	1	1	
E-3	9	HP8A-15115-A01	PACKING, OIL HOLE	1	1	
E-3	10	HP8A-15140-A00	ORIFICE ASSY., OIL CONTROL	2	2	
E-3	11	HP8A-15142-A00	O-RING, 8.8X2.4	2	2	
E-3	12	HP8A-15150-A00	JOINT ASSY., OIL PIPE	1	1	
E-3	14	HZY3-15656-000	COVER, OIL LEVEL GAUGE	1	1	
E-3	15	HZY3-15657-000	PACKING, OIL LEVEL GAUGE	1	1	
E-3	16	HZY2-15810-000ZA	VALVE ASSY., SPOOL	1	-	*NH8* DARK GRAY
E-3		HZY3-15810-003ZA	VALVE ASSY., SPOOL	-	1	*NH8* DARK GRAY
E-3	17	HZY2-15825-000	FILTER ASSY., SPOOL VALVE	1	-	
E-3		HZY3-15825-003	FILTER ASSY., SPOOL VALVE	-	1	
E-3	18	HRNA-30530-A01	SENSOR COMP., KNOCK	1	1	
E-3	19	HZW9-32114-730	BRACKET, CLIP B	1	1	
E-3	20	HZY3-32116-000	BRACKET B, HARNESS CLIP	1	1	
E-3	21	HZY3-32193-C00	CORD, SWITCH	1	1	
E-3	22	HZW9-35490-003	SWITCH ASSY., OIL PRESSURE	1	1	
E-3	23	HZY3-35490-004	SWITCH ASSY., OIL PRESSURE	1	1	
E-3	24	HZY3-35673-003	SENSOR ASSY., WATER	1	1	TEMPERATURE
E-3	25	HZY3-35700-003	SENSOR ASSY., CRANK	1	1	
E-3	26	HZY3-90001-000	BOLT, FLANGE, 12X95	2	2	
E-3	27	HZY3-90006-003	BOLT-WASHER, 10X109	1	1	
E-3	28	HZY3-90008-003	BOLT-WASHER, 10X60	5	5	

FR. 



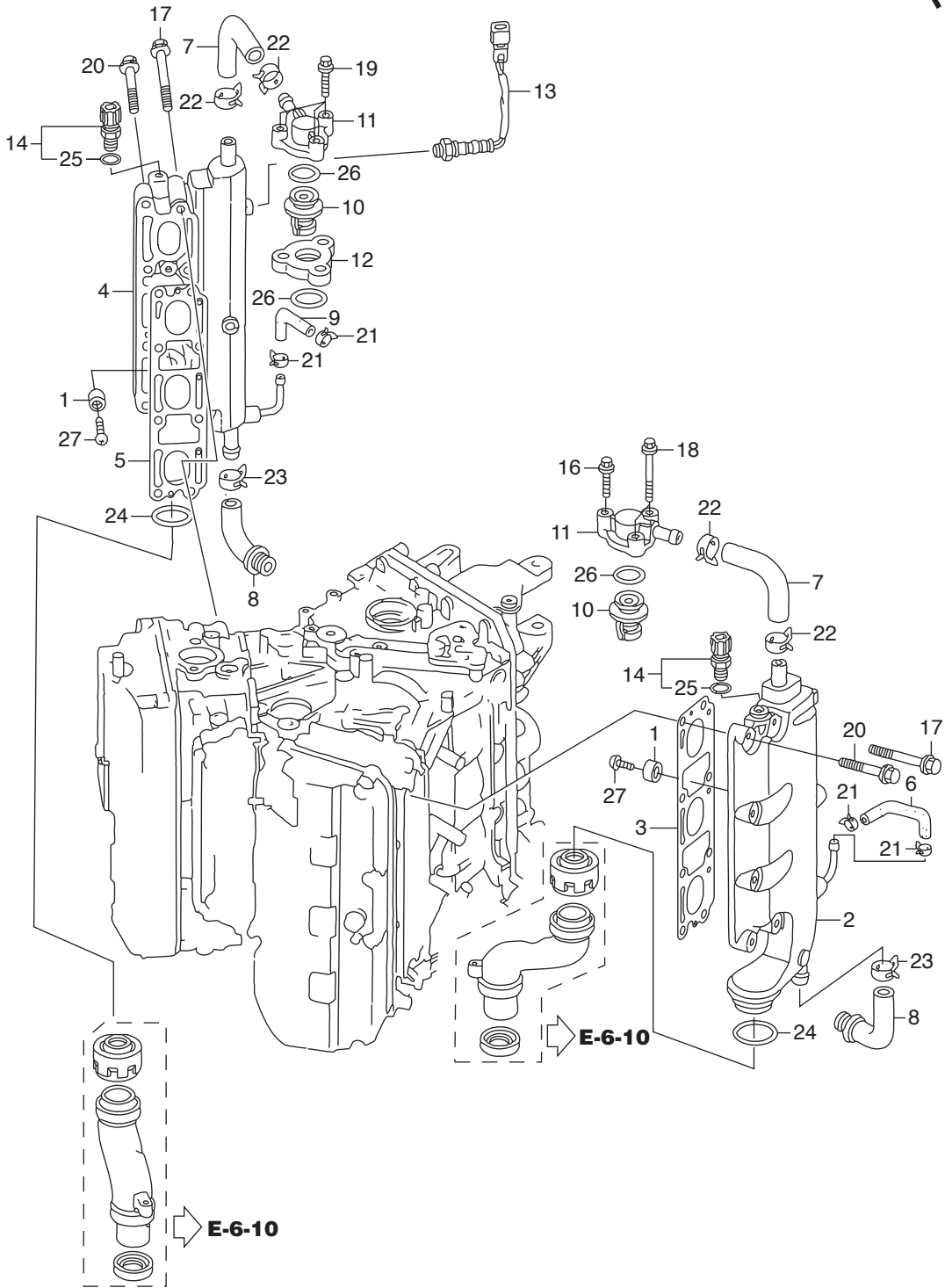
Ref.No.	Part No.	Description	Q' ty		Remarks	
			BFT200A	BFT225A		
E-3	29	HZY3-90009-003	BOLT-WASHER, 10X80	2	2	
E-3	30	HRCA-90014-A01	BOLT-WASHER, 11X105	8	8	
E-3	31	HZY3-90017-000	BOLT, FLANGE, 6X16	1	1	
E-3	32	HZW9-90019-000	BOLT, FLANGE, 6X35	7	7	
E-3	33	HZY3-90021-000	BOLT, FLANGE, 6X14	2	2	
E-3	34	HZY3-90028-000	BOLT, FLANGE, 6X18	4	4	
E-3	35	HZY3-90030-000	BOLT, FLANGE, 6X22	8	8	
E-3	36	HZY3-90038-000	BOLT, FLANGE, 8X75	1	1	
E-3	37	HZV5-90081-010	BOLT, SEALING, 22MM	1	1	
E-3	38	HZW4-90156-000	BOLT, FLANGE, 8X50	2	2	
E-3	39	HPH7-90715-000	DOWEL PIN, 13X37	8	8	
E-3	40	HZY3-91212-003	OIL SEAL, 41X66X8	1	1	
E-3	41	HPNA-91214-014	OIL SEAL, 80X98X10(ARAI)	1	1	
E-3	42	HPNA-91307-003	O-RING, 9.5X1.9	1	1	
E-3	43	HP8A-91308-A01	O-RING, 18.3X3.5	1	1	
E-3	44	HPK1-91308-003	O-RING, 26.2X2.4(NOK)	1	1	
E-3	45	HP8A-91309-A01	O-RING, 16.3X3.5	1	1	
E-3	46	HPR3-91319-003	O-RING, 13X1.5(ARAI)	1	1	
E-3	47	HP0X-91321-003	O-RING, 25X2.4(NOK)	1	1	
E-3	48	HS0A-91541-003	CLIP, HARNESS BAND(BLACK)	1	2	(145MM)
E-3	49	HCO-93500-05016-4J	SCREW, PAN, 5X16	2	2	
E-3	50	HCO-93500-05020-4J	SCREW, PAN, 5X20	6	6	
E-3	51	HCO-94301-06100	DOWEL PIN, 6X10	4	4	
E-3	52	HCO-94303-05080	DOWEL PIN, 5X8	1	1	
E-3	53	HZX2-15655-000	GAUGE COMP., OIL LEVEL	1	1	

FR. 





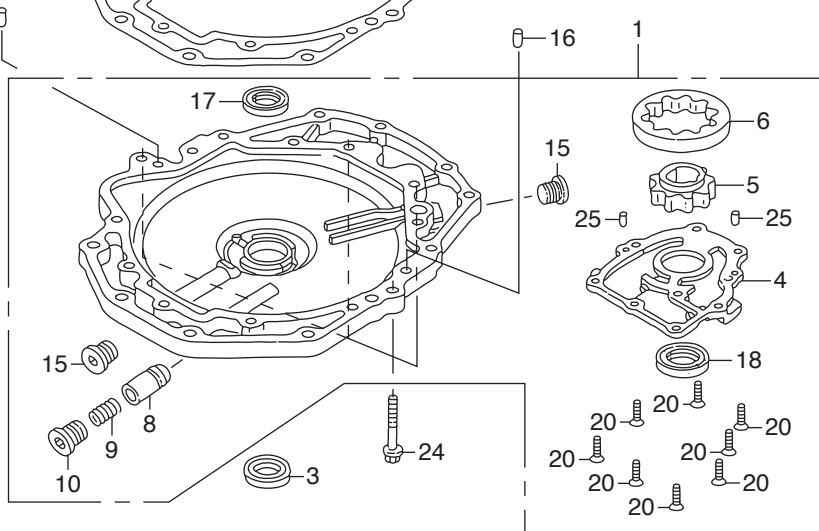
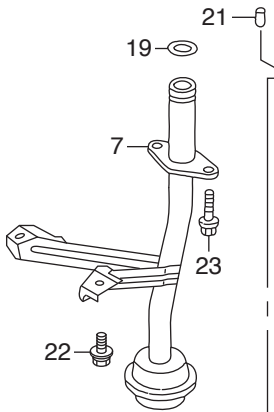
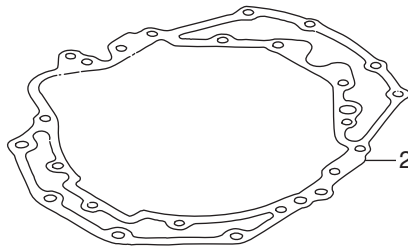
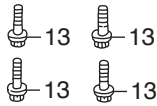
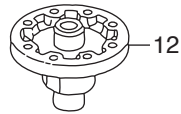
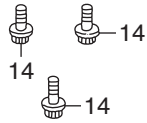
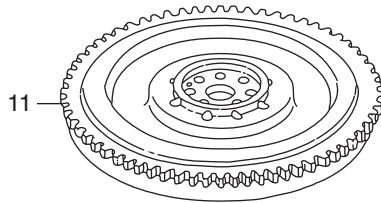
FR. 





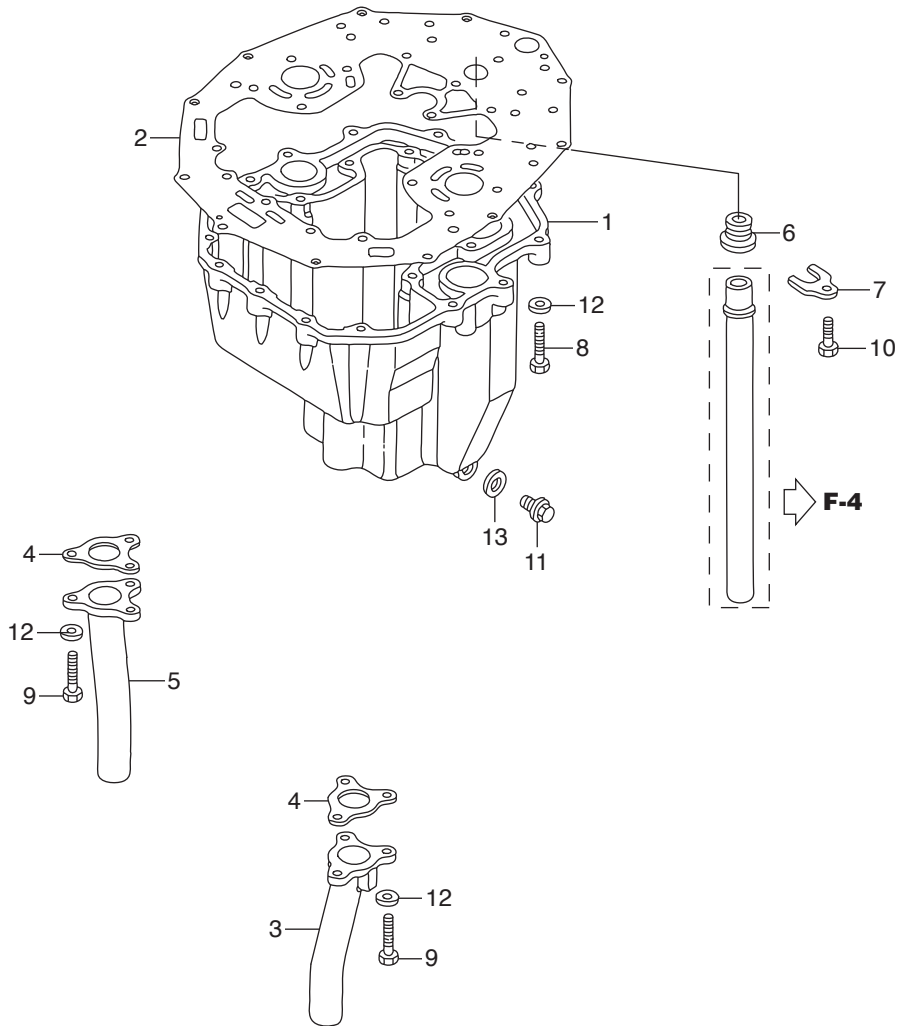
Ref.No.	Part No.	Description	Q' ty		Remarks	
			BFT200A	BFT225A		
E-4	1	HZV5-12155-000	METAL, ANODE	4	4	
E-4	2	HZY3-18110-010ZA	MANIFOLD COMP., R. EX.	1	1	*NH8* DARK GRAY
E-4	3	HZY3-18115-003	GASKET, R. EX. MANIFOLD	1	1	
E-4	4	HZY3-18120-C01ZA	MANIFOLD COMP., L. EX.	1	1	*NH8* DARK GRAY
E-4	5	HZY3-18125-003	GASKET, L. EX. MANIFOLD	1	1	
E-4	6	HZY3-19255-000	TUBE, R. WATER RETURN	1	1	
E-4	7	HZY3-19256-010	TUBE, WATER RELIEF	2	2	
E-4	8	HZY3-19257-000	TUBE, WATER	2	2	
E-4	9	HZY3-19261-000	TUBE, L. WATER RETURN	1	1	
E-4	10	HZY3-19300-023	THERMOSTAT ASSY.	2	2	
E-4	11	HZY3-19315-020ZA	COVER, THERMOSTAT	2	2	*NH8* DARK GRAY
E-4	12	HZY3-19319-A00ZA	SPACER, THERMOSTAT	1	1	*NH8* DARK GRAY
E-4	13	HZY3-35655-C01	SENSOR, OXYGEN	1	1	
E-4	14	HZY3-35673-003	SENSOR ASSY., WATER	2	2	TEMPERATURE
E-4	16	HZW9-90019-000	BOLT, FLANGE, 6X35	1	1	
E-4	17	HZY3-90027-000	BOLT, FLANGE, 8X60	8	8	
E-4	18	HZY3-90034-000	BOLT, FLANGE, 6X60	2	2	
E-4	19	HZW4-90146-000	BOLT, FLANGE, 6X50	3	3	
E-4	20	HZW4-90155-000	BOLT, FLANGE, 8X40	8	8	
E-4	21	HZY3-90601-030	CLAMP, TUBE(D10.5)	4	4	
E-4	22	HZY3-90603-020	CLAMP, TUBE(D29)	4	4	
E-4	23	HZY3-90604-020	CLAMP, TUBE(D21)	2	2	
E-4	24	HZY3-91301-003	O-RING, 66.4X3.1	2	2	
E-4	25	HPNA-91307-003	O-RING, 9.5X1.9	2	2	
E-4	26	HSD4-91356-952	O-RING, 31.5X2.4(ARAI)	3	3	
E-4	27	HCO-93500-06018-4J	SCREW, PAN, 6X18	4	4	

FR. 



Ref.No.	Part No.	Description	Q' ty		Remarks	
			BFT200A	BFT225A		
E-5	1	HZY3-15100-000ZA	PUMP ASSY., OIL	1	1	*NH8* DARK GRAY
E-5	2	HZY3-15112-013	PACKING, OIL PUMP BODY	1	1	
E-5	3	HZY3-15113-000	RUBBER, OIL PUMP	1	1	
E-5	4	HZY3-15121-000	COVER, OIL PUMP	1	1	
E-5	5	HZY3-15131-405	ROTOR, OIL PUMP INNER	1	1	
E-5	6	HZY3-15132-405	ROTOR, OIL PUMP OUTER	1	1	
E-5	7	HZY3-15220-020	STRAINER COMP., OIL	1	1	
E-5	8	HPE0-15231-000	VALVE, RELIEF	1	1	
E-5	9	HPG6-15232-000	SPRING, RELIEF VALVE	1	1	
E-5	10	HPC6-15233-000	BOLT, SEALING, 18MM	1	1	
E-5	11	HZY3-31110-000ZA	FLYWHEEL COMP.	1	1	*TBLACK* BLACK
E-5	12	HZY3-31116-000	BOSS, FLYWHEEL	1	1	
E-5	13	HZW5-90002-013	BOLT, SPECIAL, 8MM	8	8	
E-5	14	HPH3-90011-000	BOLT, FLANGE, 12MM	8	8	
E-5	15	HZV5-90081-010	BOLT, SEALING, 22MM	2	2	
E-5	16	HPW5-90701-000	DOWEL PIN, 14X15	1	1	
E-5	17	HZW5-91201-003	OIL SEAL, 46X60X9	1	1	
E-5	18	HP01-91212-003	OIL SEAL, 31X46X7(NOK)	1	1	
E-5	19	HPC6-91324-000	O-RING, 20.6X2.6	1	1	
E-5	20	HCO-93600-06016-0A	SCREW, FLAT, 6X16	8	8	
E-5	21	HCO-94302-10160	PIN B, DOWEL, 10X16	1	1	
E-5	22	HCO-95701-06014-09	BOLT, FLANGE, 6X14	2	2	
E-5	23	HCO-95701-06018-09	BOLT, FLANGE, 6X18	2	2	
E-5	24	HCO-95701-08030-09	BOLT, FLANGE, 8X30	4	4	
E-5	25	HCO-96220-50080	ROLLER, 5X8	2	2	

FR. 







Ref.No.	Part No.	Description	Q' ty		Remarks	
			BFT200A	BFT225A		
E-6-10	1	HGHB-16163-610	CLIP, TUBE	1	1	
E-6-10	2	HZY3-18141-A00ZA	GUIDE, R. EX.	1	1	*TGRAY* GRAY
E-6-10	3	HZY3-18148-003	SEAL, EXHAUST GUIDE	2	2	
E-6-10	4	HZY3-18149-A01	SEAL B, EX. GUIDE	2	2	
E-6-10	5	HZY3-18151-A00ZA	GUIDE, L. EX.	1	1	*TGRAY* GRAY
E-6-10	6	HZY3-19277-000ZA	COVER, FLUSH VALVE	1	1	*NH8* DARK GRAY
E-6-10	7	HZY3-19278-000	CASE, FLUSH VALVE	1	1	
E-6-10	8	HZW9-19279-000	SPRING, FLUSH VALVE	1	1	
E-6-10	9	HZW5-19291-000	VALVE, RELIEF	2	2	
E-6-10	10	HZW9-19291-000	VALVE, FLASH	1	1	
E-6-10	11	HZW5-19292-000	SPRING, RELIEF VALVE	2	2	
E-6-10	12	HZY3-19294-000ZB	SPACER, R. RELIEF VALVE	1	1	*TGRAY* GRAY
E-6-10	13	HZY3-19295-000	COVER, R. RELIEF VALVE	1	1	
E-6-10	14	HZY3-19296-000	PACKING, RELIEF VALVE COVER	2	2	
E-6-10	15	HZW5-19297-000	PACKING, RELIEF VALVE	2	2	
E-6-10	16	HZW9-19297-000	PACKING, FLASH VALVE	1	1	
E-6-10	17	HZY3-19297-000	COVER, L. RELIEF VALVE	1	1	
E-6-10	18	HZY3-19298-000ZB	SPACER, L. RELIEF VALVE	1	1	*TGRAY* GRAY
E-6-10	19	HZY3-19361-000	COVER, R. WATER JACKET	1	1	
E-6-10	20	HZY3-19362-000	PACKING, WATER JACKET COVER	2	2	
E-6-10	21	HZY3-19366-000	COVER, L. WATER JACKET	1	1	
E-6-10	22	HZY3-23170-030ZA	CASE COMP., MOUNT	1	1	*NH8* DARK GRAY
E-6-10	23	HZY3-23172-003	GASKET, MOUNT CASE	1	1	
E-6-10	24	HZY3-23173-010	RUBBER, MOUNT CASE SEAL	1	1	
E-6-10	25	H371-90009-015	BOLT, FLANGE, 10X120(SATO)	1	1	
E-6-10	26	HZY3-90010-000	BOLT, HEX., 12X120	2	2	
E-6-10	27	HZY3-90011-000	BOLT, HEX., 12X65	1	1	
E-6-10	28	HZY3-90013-000	BOLT, HEX., 10X85	1	1	
E-6-10	29	HZY3-90015-000	BOLT, HEX., 10X60	2	2	

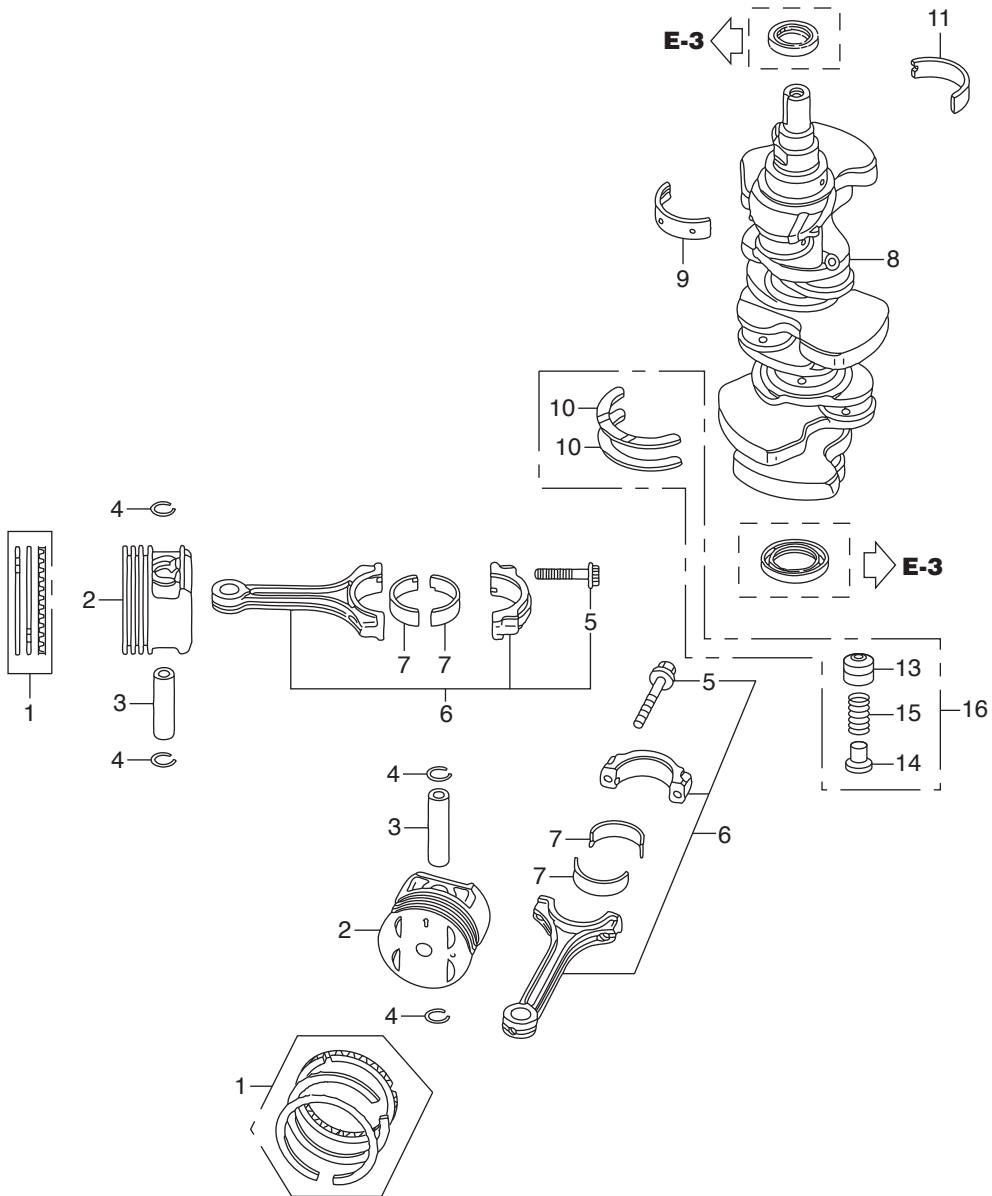




Ref.No.	Part No.	Description	Q' ty		Remarks	
			BFT200A	BFT225A		
E-6-10	30	HZY3-90030-000	BOLT, FLANGE, 6X22	2	2	
E-6-10	31	HZY3-90031-000	BOLT, FLANGE, 6X32	4	4	
E-6-10	32	HZY3-90045-000	BOLT, STUD, 10X45	2	2	
E-6-10	33	HZY3-90046-000	BOLT, FLANGE, 8X100	2	2	
E-6-10	34	HZY3-90047-000	BOLT, WASHER, 6X121	6	6	
E-6-10	35	HZY3-90049-000	BOLT, FLANGE, 8X30	4	4	
E-6-10	36	HZY3-90059-000	BOLT-WASHER, 6X29	1	1	
E-6-10	37	HHW1-90207-671	BOLT, FLANGE, 6X40	2	2	
E-6-10	38	HZV5-90559-000	WASHER, PLAIN, 12MM	3	3	
E-6-10	39	HZV5-90563-000	WASHER, PLAIN, 10MM	3	3	
E-6-10	40	HZV4-90603-000	CLIP, TUBE(B10)	1	1	
E-6-10	41	HZV4-90605-000	CLIP, TUBE(B12.5)	2	2	
E-6-10	42	HPW5-90701-000	DOWEL PIN, 14X15	1	1	
E-6-10	43	HZY3-91001-003	BEARING, NEEDLE, 20X28X13	1	1	(SOLID)
E-6-10	44	HZW5-91202-003	SEAL, WATER, 22X35X7	2	2	
E-6-10	45	H800-91303-000	O-RING, 16MM	1	1	
E-6-10	46	HZY3-91304-000	O-RING, 49.4X3.1	2	2	
E-6-10	47	HZY3-91305-003	O-RING, 33.5X2	2	2	
E-6-10	48	HZY3-91306-003	O-RING, 23.5X2	2	2	
E-6-10	49	HZY3-91404-000	TUBE, WATER CHECK	1	1	
E-6-10	50	HZY3-91405-000	TUBE, FLUSH VALVE	1	1	
E-6-10	51	HCO-94302-10160	PIN B, DOWEL, 10X16	1	1	
E-6-10	52	HCO-95701-10070-09	BOLT, FLANGE, 10X70	2	2	
E-6-10	53	HCO-95701-12120-09	BOLT, FLANGE, 12X120	2	2	

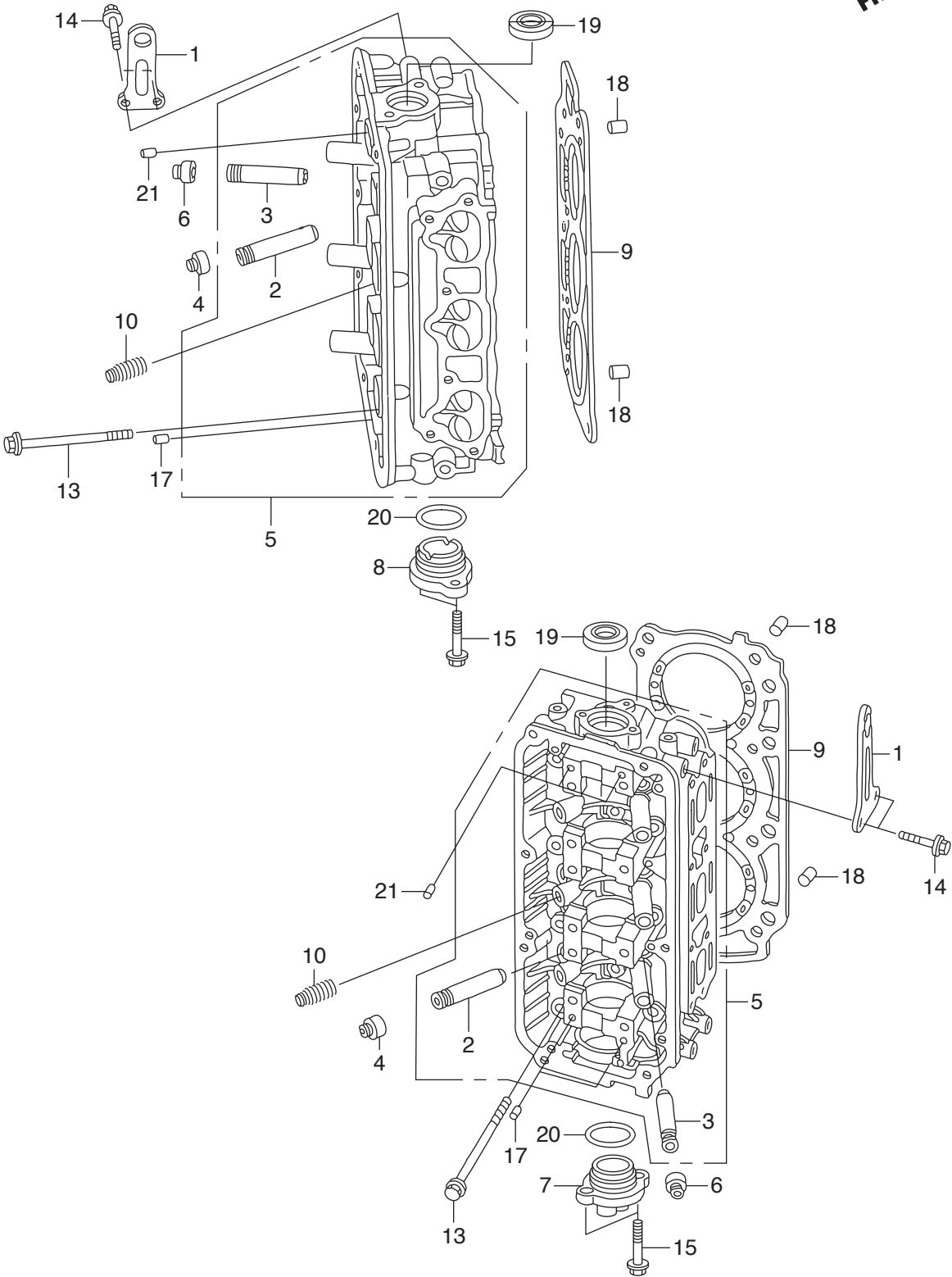


Ref.No.	Part No.	Description	Q' ty		Remarks	
			BFT200A	BFT225A		
E-7	1	HZY3-13010-A00	RING SET, PISTON(STD.)	6	6	
E-7		HZY3-13011-A00	RING SET, PISTON(0.25)	6	6	
E-7	2	HZY3-13101-A00	PISTON	6	6	
E-7		HZY3-13102-A00	PISTON(0.25)	6	6	
E-7	3	HPEA-13111-000	PIN, PISTON	6	6	
E-7	4	HP5A-13115-000	CLIP, PISTON PIN	12	12	
E-7	5	HP8A-13204-A01	BOLT, CONNECTING ROD	12	12	
E-7	6	HR70-13210-A10	ROD COMP., CONNECTING	6	6	
E-7	7	HP8F-13211-A11	BEARING A, CONNECTING ROD	12	12	(BLACK)(TAIHO)
E-7		HP8F-13212-A11	BEARING B, CONNECTING ROD	12	12	(BROWN)(TAIHO)
E-7		HP8F-13213-A11	BEARING C, CONNECTING ROD	12	12	(GREEN)(TAIHO)
E-7		HP8F-13214-A11	BEARING D, CONNECTING ROD	12	12	(YELLOW)(TAIHO)
E-7		HP8F-13215-A11	BEARING E, CONNECTING ROD	12	12	(PINK)(TAIHO)
E-7	8	HRGL-13310-A00	CRANKSHAFT COMP.	1	1	
E-7	9	HP8A-13321-A01	BEARING A, MAIN UPPER(BLACK)	4	4	(DAIDO)
E-7		HP8A-13322-A01	BEARING B, MAIN UPPER(BROWN)	4	4	(DAIDO)
E-7		HP8A-13323-A01	BEARING C, MAIN UPPER(GREEN)	4	4	(DAIDO)
E-7		HP8A-13324-A01	BEARING D, MAIN UPPER(YELLOW)	4	4	(DAIDO)
E-7		HP8A-13325-A01	BEARING E, MAIN UPPER(PINK)	4	4	(DAIDO)
E-7		HP8A-13326-A01	BEARING F, MAIN UPPER(RED)	4	4	(DAIDO)
E-7	10	HZY3-13331-A03	WASHER, THRUST	2	2	
E-7		HZY3-13331-A04	WASHER, THRUST	2		#1300393~ #6000037~
E-7		HZY3-13331-A04	WASHER, THRUST		2	#1300972~ #6000070~
E-7	11	HP8A-13341-A01	BEARING A, MAIN LOWER(BLACK)	4	4	(DAIDO)
E-7		HP8A-13342-A01	BEARING B, MAIN LOWER(BROWN)	4	4	(DAIDO)
E-7		HP8A-13343-A01	BEARING C, MAIN LOWER(GREEN)	4	4	(DAIDO)
E-7		HP8A-13344-A01	BEARING D, MAIN LOWER(YELLOW)	4	4	(DAIDO)
E-7		HP8A-13345-A01	BEARING E, MAIN LOWER(PINK)	4	4	(DAIDO)
E-7		HP8A-13346-A01	BEARING F, MAIN LOWER(RED)	4	4	(DAIDO)





FR. 



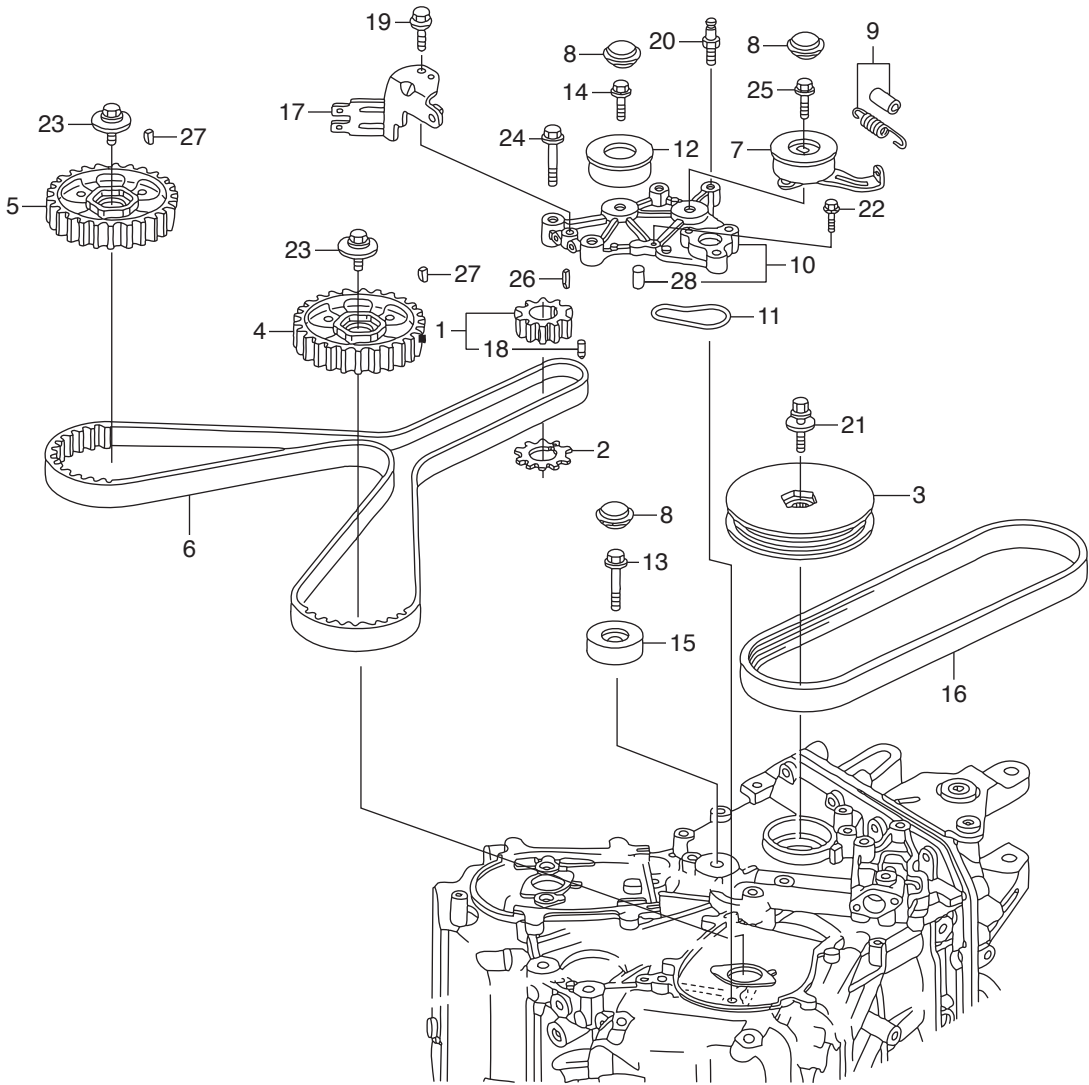






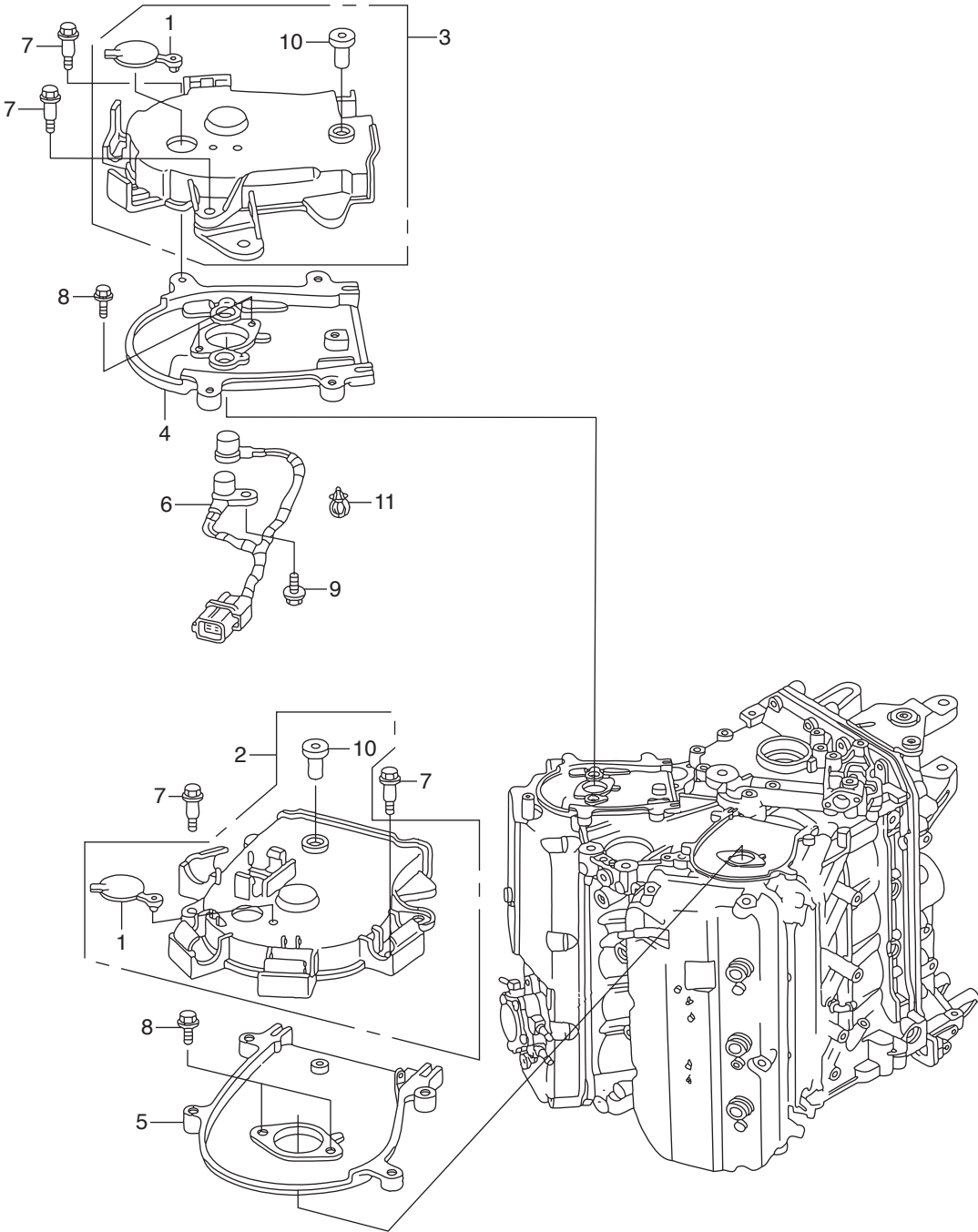
Ref.No.	Part No.	Description	Q'ty		Remarks	
			BFT200A	BFT225A		
E-9-10	1	HZY2-14111-A00	CAMSHAFT, R.	1	-	
E-9-10		HZY3-14111-A00	CAMSHAFT, R.	-	1	
E-9-10	2	HZY2-14211-A00	CAMSHAFT, L.	1	-	
E-9-10		HZY3-14211-A00	CAMSHAFT, L.	-	1	
E-9-10	3	HZY3-14436-000	ARM, FUEL PUMP ROCKER	1	1	
E-9-10	4	HRDV-14610-J00	ARM ASSY., FR. INTAKE ROCKER	6	-	
E-9-10	5	HP8A-14620-A01	ARM ASSY., INTAKE ROCKER	-	6	
E-9-10	6	HP8A-14626-A00	ARM COMP. A, EX. ROCKER	6	6	
E-9-10	7	HP8A-14627-A00	ARM COMP. B, EX. ROCKER	6	6	
E-9-10	8	HRDV-14631-J00	SHAFT COMP., FR. INTAKE ROCKER	2	-	ARM
E-9-10		HP8A-14631-A00	SHAFT COMP., INTAKE ROCKER ARM	-	2	
E-9-10	9	HRCA-14632-A00	SHAFT COMP., EX. ROCKER ARM	2	2	
E-9-10	10	HP8A-14645-A01	SPRING, ROCKER ARM	6	6	
E-9-10	11	HRDV-14646-J00	WASHER, THRUST	12	-	
E-9-10	12	HPXK-14711-000	VALVE, IN.	12	12	
E-9-10	13	HRJA-14721-E00	VALVE, EX.	12	12	
E-9-10	14	HPM3-14744-000	SCREW, TAPPET ADJUSTING	12	-	
E-9-10	15	HPT0-14744-004	SCREW, TAPPET ADJUSTING	12	24	
E-9-10	16	HP8E-14761-A01	SPRING, IN. VALVE(GRAY)	12	12	(NIPPON HATSUJO)
E-9-10	17	HP8E-14762-A01	SPRING, EX. VALVE	12	12	(YELLOW GREEN)
E-9-10	18	HRDV-14765-J00	RETAINER, VALVE SPRING	24	24	
E-9-10	19	HPM3-14775-000	SEAT, VALVE SPRING	24	24	
E-9-10	20	HRGM-14781-A01	COTTER, VALVE(FUJI VALVE)	48	48	
E-9-10	21	HP8A-90003-A00	BOLT, FLANGE, 8X30	12	12	
E-9-10	22	HP8A-90004-A00	BOLT, FLANGE, 8X40	8	8	
E-9-10	23	HPM3-90206-004	NUT, TAPPET ADJUSTING	12	-	(TOKAI TRW)
E-9-10	24	HPT0-90206-004	NUT, TAPPET ADJUSTING	12	24	

FR. 

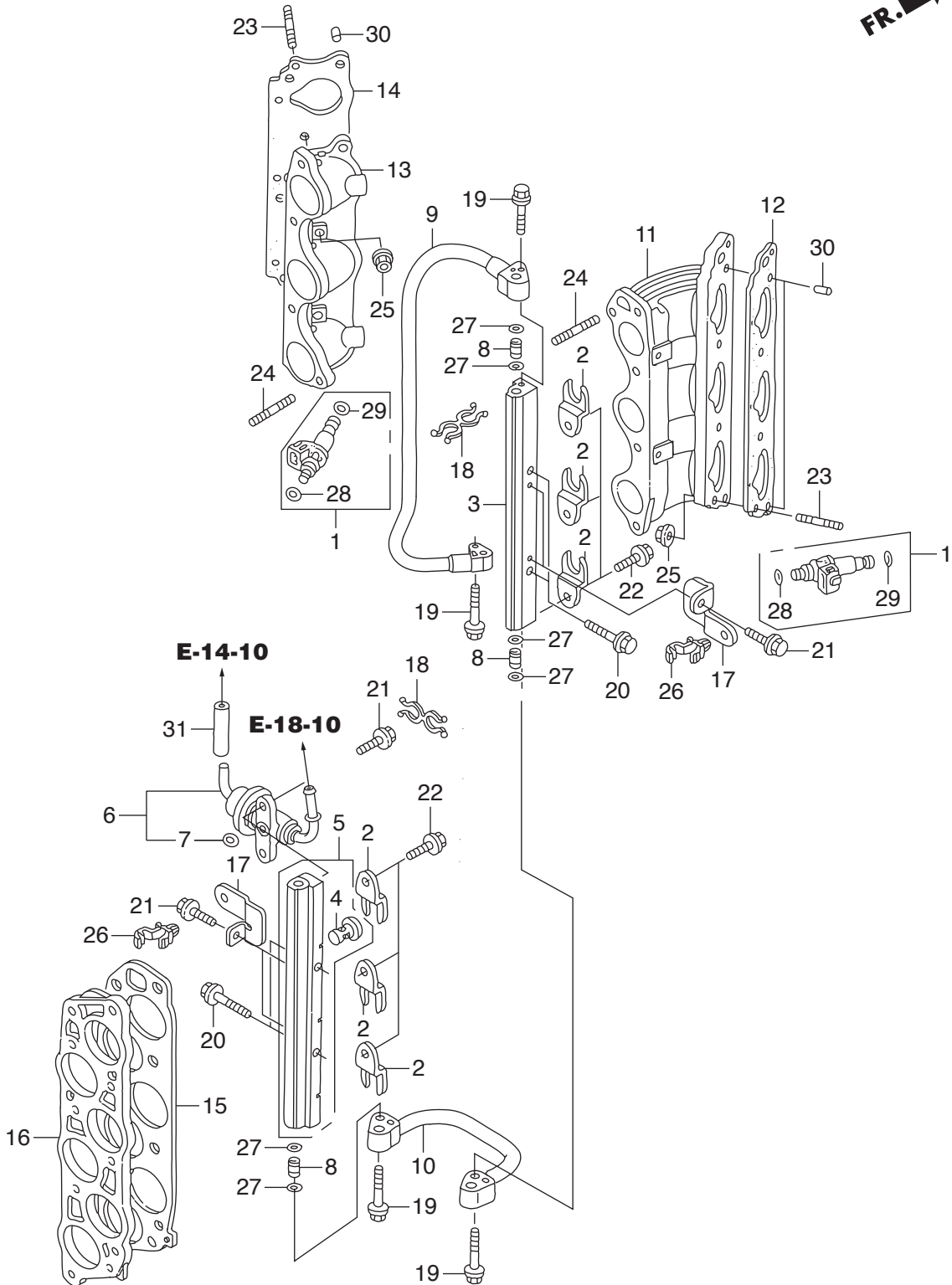


Ref.No.	Part No.	Description	Q' ty		Remarks	
			BFT200A	BFT225A		
E-13	1	HZY3-13621-C01	PULLEY, TIMING BELT DRIVE	1	1	
E-13	2	HZY3-13622-C00	PLATE, TIMING BELT GUIDE	1	1	
E-13	3	HZY3-13811-A00	PULLEY, CRANKSHAFT	1	1	
E-13	4	HZY3-14261-C00	PULLEY COMP., R. TIMING BELT	1	1	DRIVEN
E-13	5	HZY3-14270-C00	PULLEY COMP., L. TIMING BELT	1	1	DRIVEN
E-13	6	HP8A-14400-A01	BELT, TIMING(197YU26 B-333)	1	1	
E-13	7	HZY3-14510-003	TENSIONER COMP., TIMING BELT	1	1	
E-13	8	HZY3-14515-000	CAP, TIMING BELT TENSIONER	3	3	
E-13	9	HZY3-14520-000	SPRING COMP., TIMING BELT	1	1	ADJUSTING
E-13	10	HZY3-14526-405ZA	BASE COMP., TIMING BELT	1	1	TENSIONER *NH8* DARK GRAY
E-13	11	HZY3-14529-000	O-RING, TIMING BELT TENSIONER	1	1	BASE
E-13	12	HZY3-14550-003	IDLER, TIMING BELT(KOYO SEIKO)	1	1	
E-13	13	HP8A-14551-A01	BOLT, IDLER	1	1	
E-13	14	HZY3-14553-003	BOLT, TIMING BELT IDLER A	1	1	
E-13	15	HZY3-14555-003	IDLER B, TIMING BELT	1	1	
E-13	16	HZY3-31638-003	BELT, A.C. GENERATOR	1	1	(6PK745 M-180)
E-13	17	HZY3-32111-010	BRACKET, COUPLER D	1	1	
E-13	18	HZV0-41122-000	PIN, VERTICAL SHAFT	1	1	
E-13	19	HZW9-90011-000	BOLT, FLANGE, 6X14(CT200)	1	1	
E-13	20	HZV5-90012-013	BOLT, TIMING BELT ADJUSTING	1	1	SPRING
E-13	21	HRJA-90017-003	BOLT-WASHER, 16X49	1	1	
E-13	22	HZY3-90030-000	BOLT, FLANGE, 6X22	1	1	
E-13	23	HP8A-90031-A01	BOLT-WASHER, 12X35	2	2	
E-13	24	HZY3-90039-000	BOLT, FLANGE, 10X40	3	3	
E-13	25	HZY3-90040-000	BOLT, FLANGE, 10X43	1	1	
E-13	26	HRCA-90704-A00	KEY, 4.5X24	1	1	
E-13	27	HZY3-90741-000	KEY, SPECIAL	2	2	
E-13	28	HCO-94301-06100	DOWEL PIN, 6X10	1	1	

FR. 





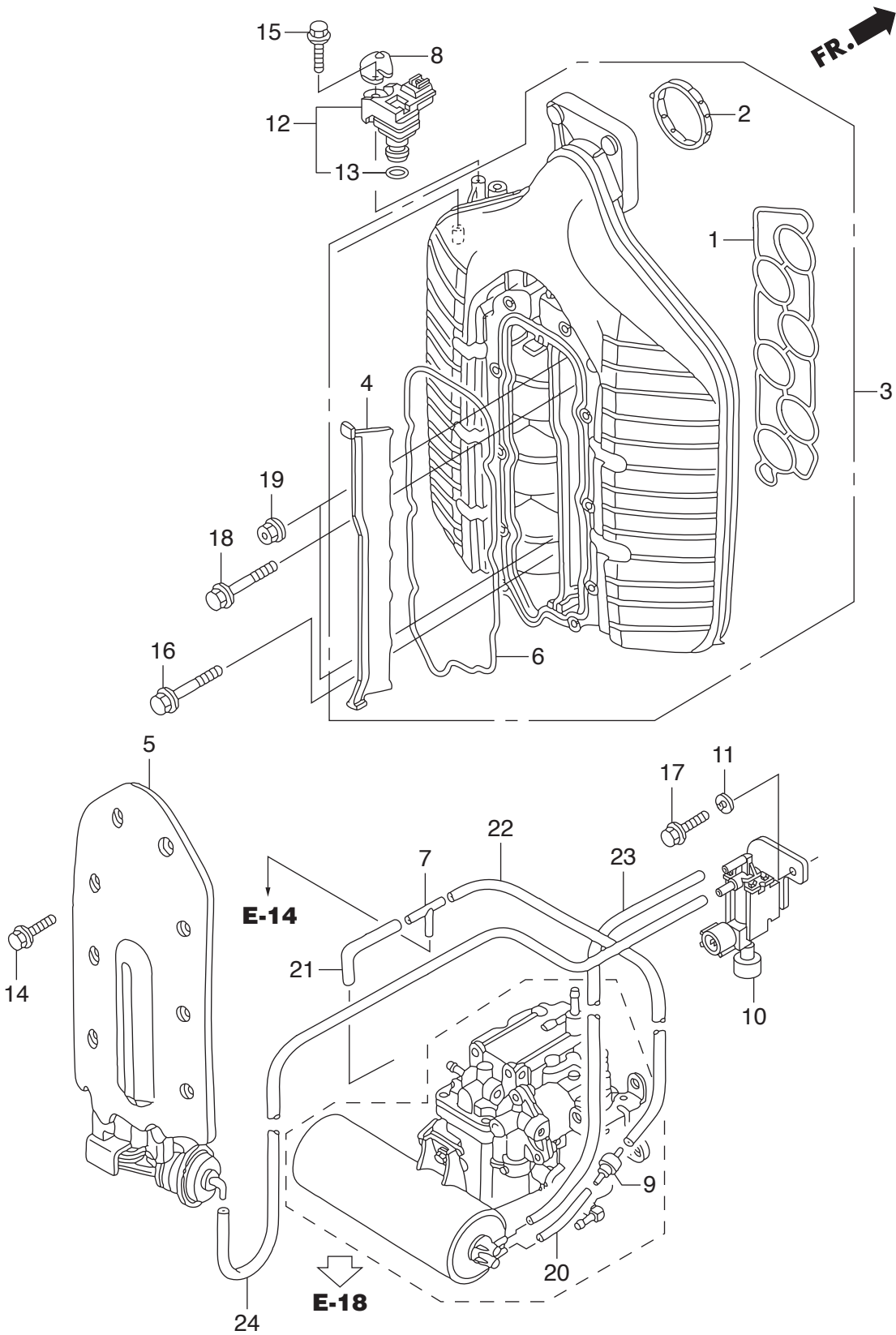


Ref.No.	Part No.	Description	Q' ty		Remarks	
			BFT200A	BFT225A		
E-14	1	HZY6-16450-003	INJECTOR ASSY., FUEL	6	6	
E-14	2	HZY3-16451-000	CLIP, INJECTOR	6	6	
E-14	3	HZY3-16611-A00	PIPE, R. FUEL	1	1	
E-14	4	HP5G-16614-003	MESH, FUEL FILTER	1	1	
E-14	5	HZY3-16620-A00	PIPE COMP., L. FUEL	1	1	
E-14	6	HZY3-16740-A01	REGULATOR ASSY., PRESSURE	1	1	
E-14	7	HPG7-16741-005	O-RING, PRESSURE REGULATOR	1	1	
E-14	8	HZY3-16752-A00	JOINT, FUEL PIPE	3	3	
E-14	9	HZY3-16755-003	HOSE COMP., FUEL	1	1	
E-14	10	HZY3-16757-003	HOSE COMP., FUEL JOINT	1	1	
E-14	11	HZY3-17051-A00	BASE, R. INJECTOR	1	1	
E-14	12	HRCA-17055-A01	GASKET, FR. INJECTOR BASE	1	1	
E-14	13	HZY3-17061-A00	BASE, L. INJECTOR	1	1	
E-14	14	HRCA-17065-A01	GASKET, RR. INJECTOR BASE	1	1	
E-14	15	HP8E-17105-A01	GASKET, INTAKE MANIFOLD	1	1	
E-14	16	HZY3-17108-000	SPACER, INTAKE MANIFOLD	1	1	
E-14	17	HZY3-32112-000	BRACKET, HARNESS CLIP A	4	4	
E-14	18	HSJ6-78419-003	CLIP D, SPEEDOMETER CABLE	2	2	
E-14	19	HZW9-90016-000	BOLT, FLANGE, 6X25	4	4	
E-14	20	HZW9-90019-000	BOLT, FLANGE, 6X35	4	4	
E-14	21	HZY3-90021-000	BOLT, FLANGE, 6X14	6	6	
E-14	22	HZY3-90042-000	BOLT, FLANGE, 6X10	6	6	
E-14	23	HZY3-90043-000	BOLT, STUD, 8X28	8	8	
E-14	24	HZY3-90044-000	BOLT, STUD, 8X45	2	2	
E-14	25	HZY3-90205-000	NUT, FLANGE, 8MM	8	8	
E-14	26	HSB2-90650-003	CLIP, WIRE HARNESS, 10MM	4	4	
E-14	27	HMJ0-91301-003	O-RING, 7.8X1.9(ARAI)	6	6	
E-14	28	HPLC-91301-000	O-RING, 7.47X3.6	6	6	
E-14	29	HPNA-91302-003	O-RING, 7.45X3.61(NOK)	6	6	

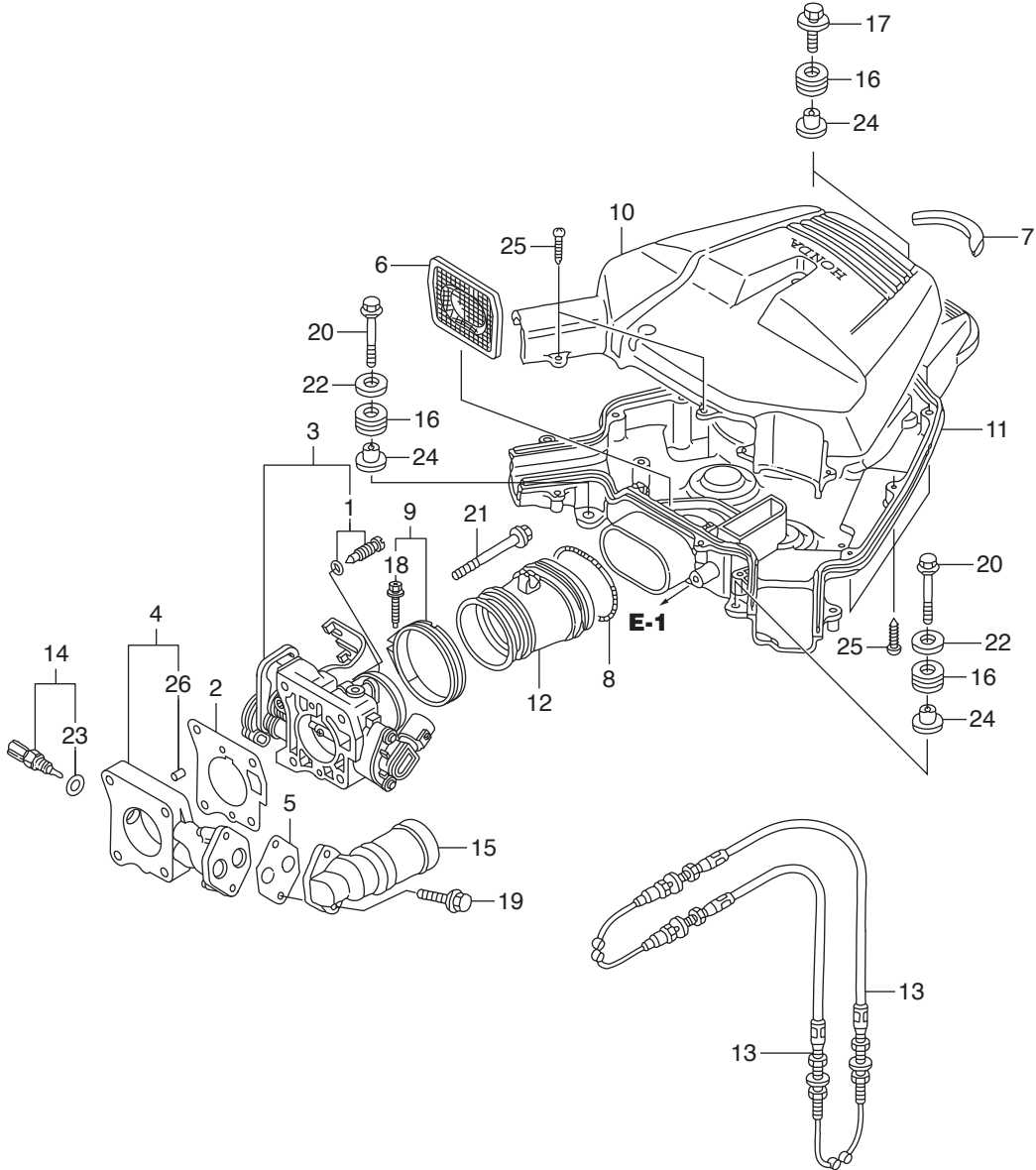




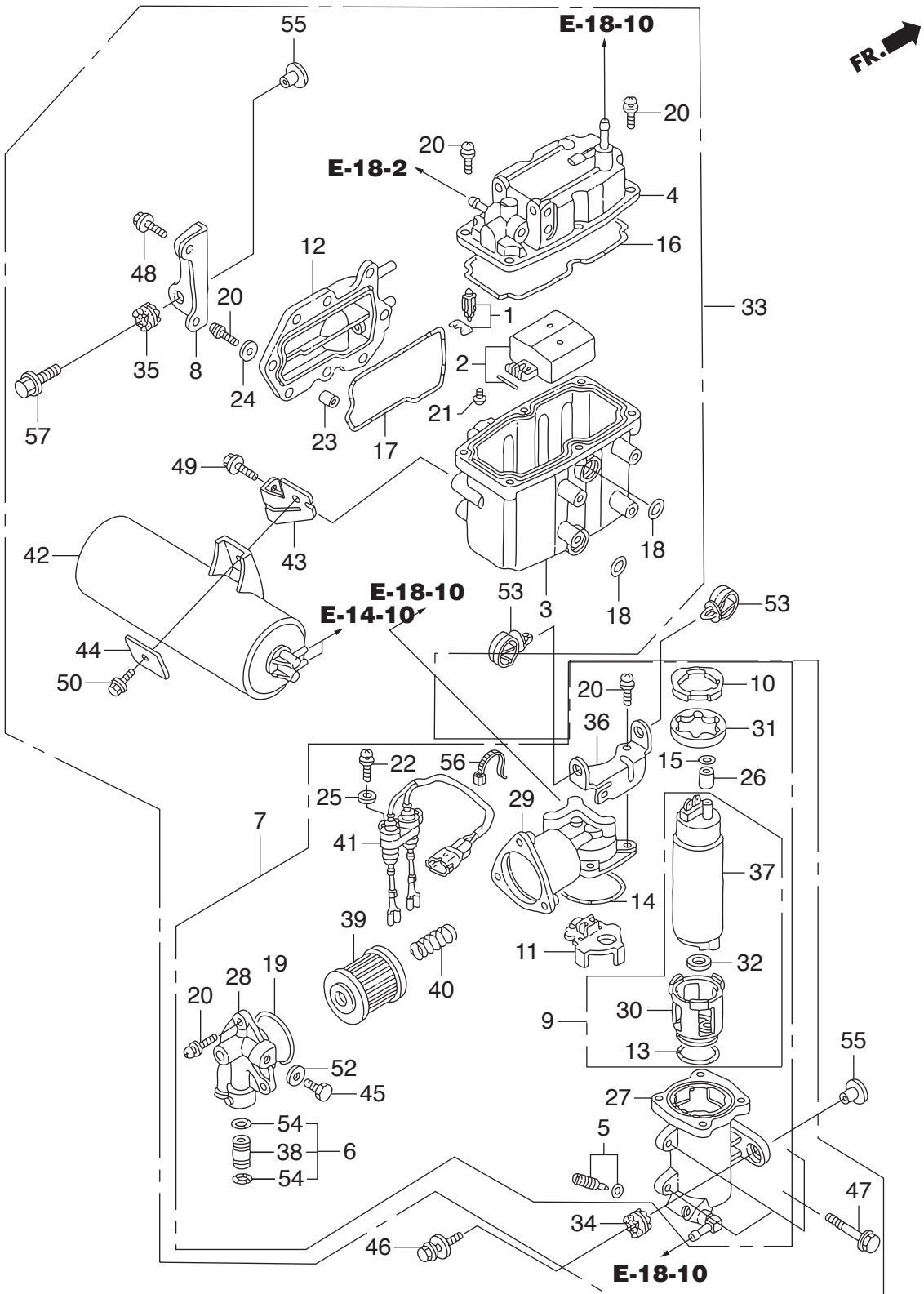




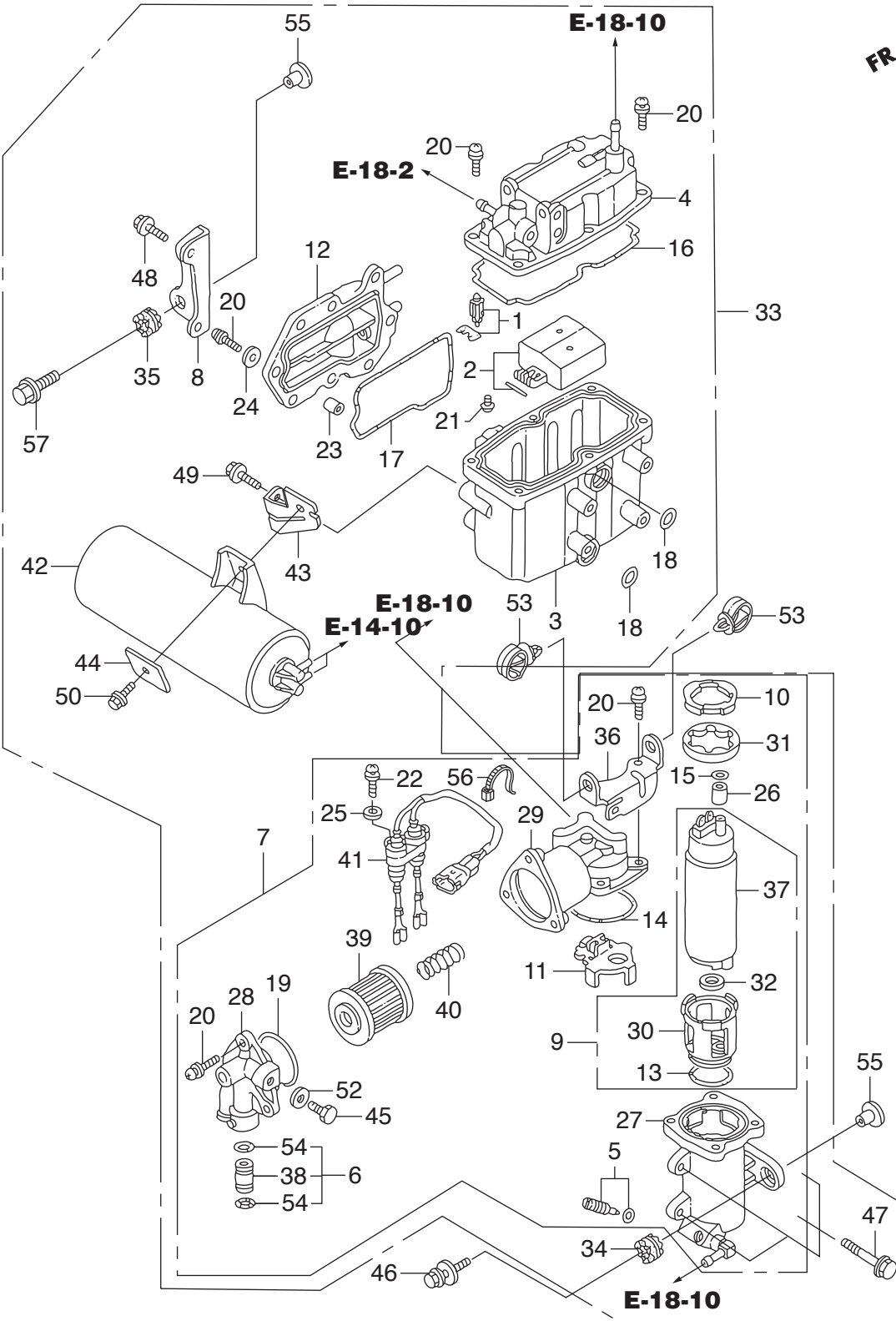




Ref.No.	Part No.	Description	Q' ty		Remarks	
			BFT200A	BFT225A		
E-15	1	HZY3-16016-003	SCREW SET	1	1	
E-15	2	HZY3-16176-000	GASKET, THROTTLE BODY	1	1	
E-15	3	HZY3-16400-A01	THROTTLE BODY ASSY.	1	1	
E-15	4	HZY3-16404-000	SPACER, THROTTLE BODY	1	1	
E-15	5	HZY3-16405-000	GASKET, EAC VALVE	1	1	
E-15	6	HZY3-17203-000	TRAP, FLAME	1	1	
E-15	7	HZY3-17207-300	RUBBER, SEAL SILENCER	1	1	
E-15	8	HPY3-17249-000	SPRING, AIR FLOW TUBE	1	1	
E-15	9	HZY9-17315-000	BAND, AIR FLOW	1	1	
E-15	10	HZY3-17372-000	CASE A, SILENCER	1	1	
E-15	11	HZY3-17373-010	CASE B, SILENCER	1	1	
E-15	12	HZY3-17374-010	GROMMET, SILENCER	1	1	
E-15	13	HZY3-17910-013	CABLE COMP., THROTTLE	2	2	
E-15	14	HZW5-35665-003	SENSOR ASSY., AIR TEMP	1	1	
E-15	15	HZY3-36550-003	VALVE ASSY., EAC	1	1	
E-15	16	HZV5-40102-000	GROMMET, UNDER CASE	4	4	
E-15	17	HZW1-90013-000	BOLT-WASHER, 6X25	2	2	
E-15	18	HZY9-90017-000	BOLT-WASHER, 5X30	1	1	
E-15	19	HZY3-90030-000	BOLT, FLANGE, 6X22	2	2	
E-15	20	HZY3-90034-000	BOLT, FLANGE, 6X60	2	2	
E-15	21	HZY3-90037-000	BOLT, FLANGE, 8X65	4	4	
E-15	22	HZY3-90508-000	WASHER, PLAIN, 6MM	2	2	
E-15	23	HP0A-91303-A02	O-RING	1	1	
E-15	24	HZV5-91553-010	COLLAR, C.D.I. UNIT CASE	4	4	
E-15	25	HCO-93903-254G0	SCREW, TAPPING, 5X20	15	15	
E-15	26	HCO-94301-06100	DOWEL PIN, 6X10	2	2	



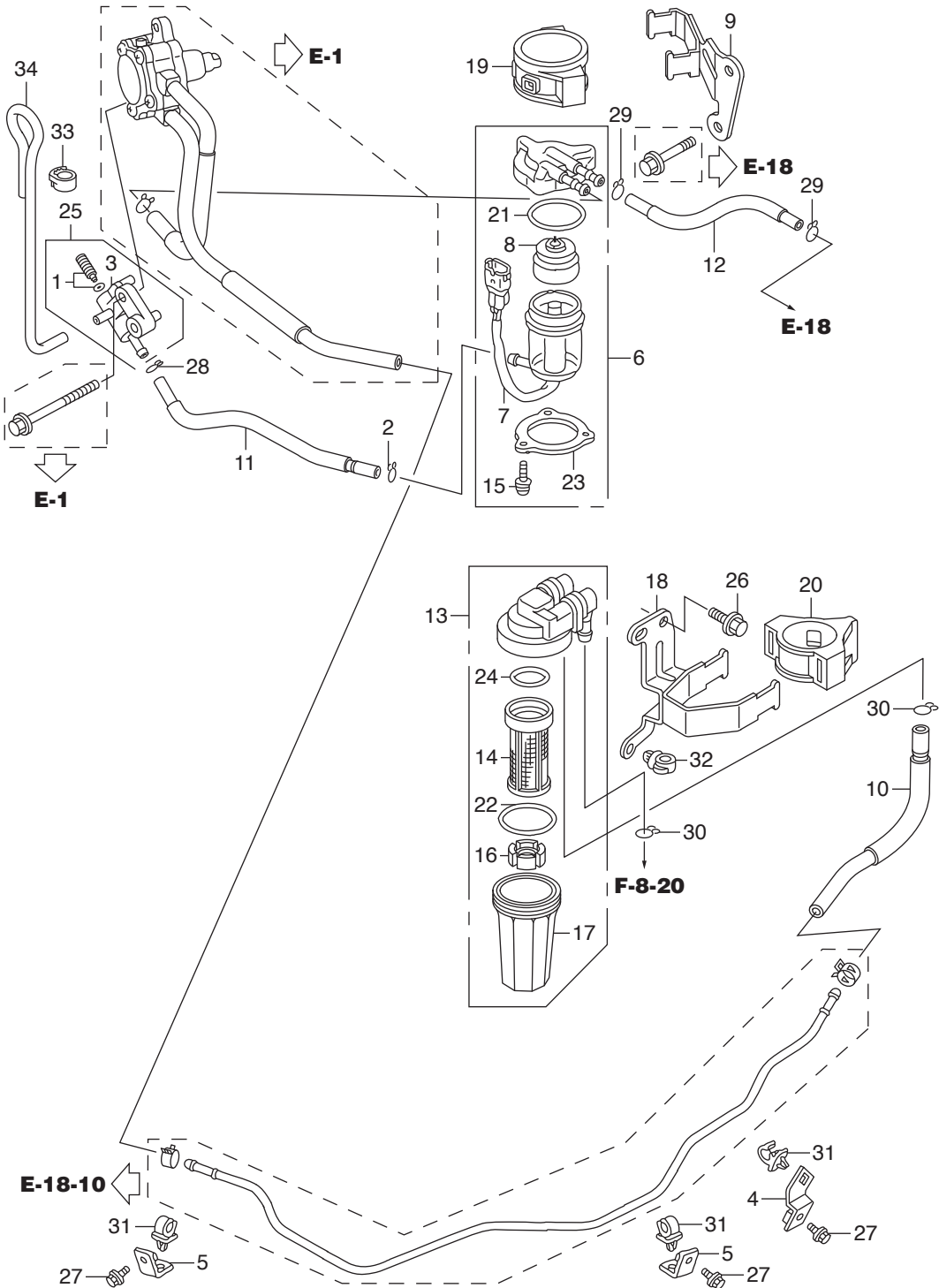
Ref.No.	Part No.	Description	Q' ty		Remarks	
			BFT200A	BFT225A		
E-18	1	HZY3-16011-A01	VALVE SET, FLOAT	1	1	
E-18	2	HZY3-16013-000	FLOAT SET	1	1	
E-18	3	HZY3-16015-000	BODY	1	1	
E-18	4	HZX2-16020-003	COVER COMP.	1	1	
E-18	5	HZY3-16024-000	SCREW SET, DRAIN	1	1	
E-18	6	HZY3-16026-000	JOINT SET	1	1	
E-18	7	HZX2-16030-003	PUMP UNIT SET A, FUEL	1	1	
E-18	8	HZY3-16031-010	STAY, PLATE	1	1	
E-18	9	HZY3-16036-003	PUMP UNIT SET B, FUEL	1	1	
E-18	10	HZY3-16041-000	PLATE	1	1	
E-18	11	HZY3-16042-000	HOLDER	1	1	
E-18	12	HZY3-16061-000	COVER, WATER JACKET	1	1	
E-18	13	HZY3-16072-000	O-RING	1	1	
E-18	14	HZY3-16073-000	O-RING	1	1	
E-18	15	HZY3-16074-000	O-RING	1	1	
E-18	16	HZY3-16075-000	O-RING	1	1	
E-18	17	HZY3-16076-000	O-RING	1	1	
E-18	18	HZY3-16077-000	O-RING	2	2	
E-18	19	HZY3-16078-000	O-RING	1	1	
E-18	20	HZW5-16081-010	SCREW-WASHER	21	21	
E-18	21	HZY3-16082-000	SCREW, PAN	2	2	
E-18	22	HZY3-16083-000	SCREW, WASHER	1	1	
E-18	23	HZW5-16086-000	COLLAR	8	8	
E-18	24	HZW5-16087-000	WASHER, PLAIN	8	8	
E-18	25	HZY3-16087-000	WASHER, PLAIN	1	1	
E-18	26	HZY3-16088-000	COLLAR	1	1	
E-18	27	HZX2-16701-003	CASE COMP., PUMP	1	1	
E-18	28	HZY3-16708-000	COVER, PUMP	1	1	
E-18	29	HZW5-16715-023	COVER, PUMP(A)	1	1	





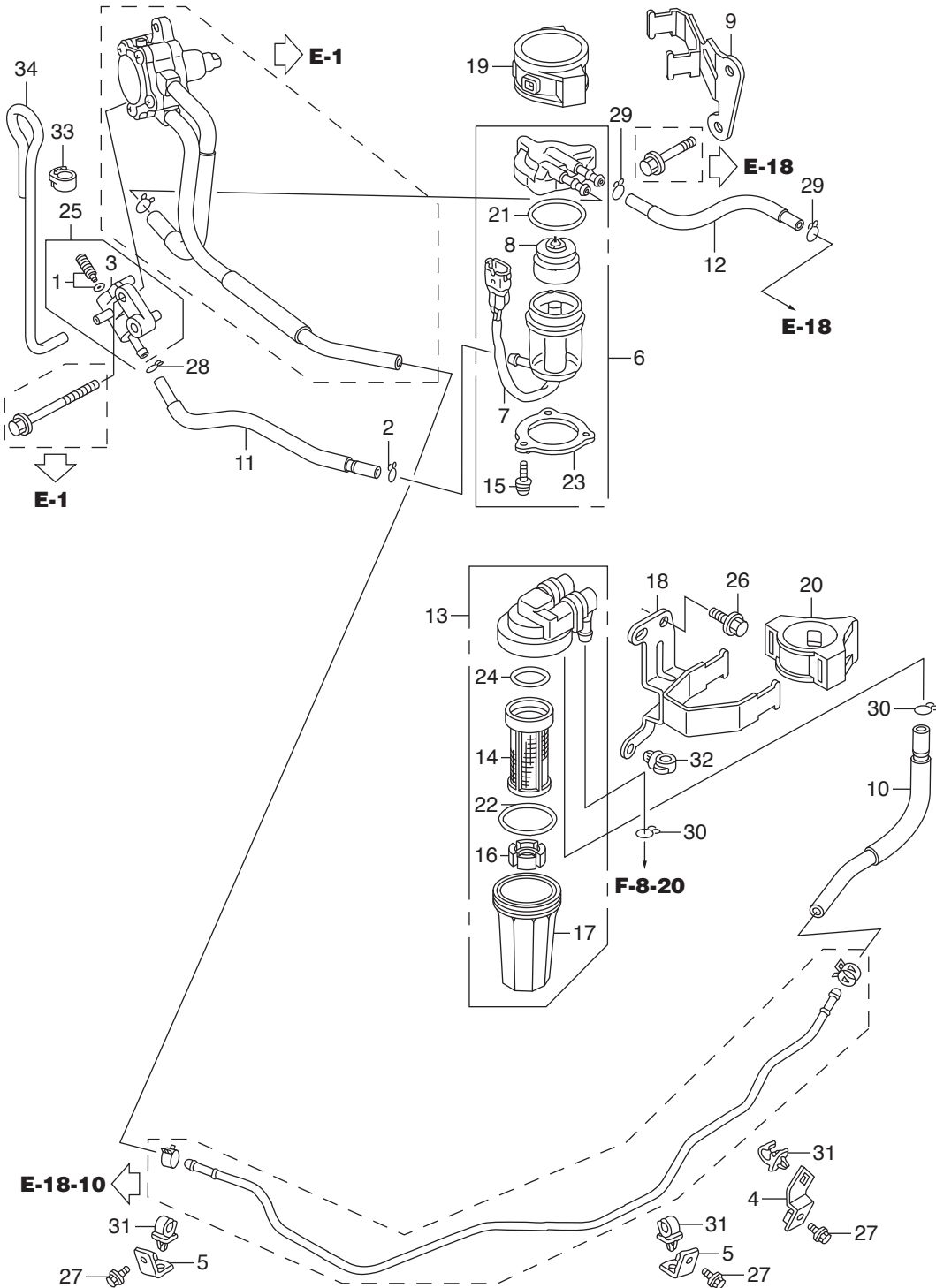
Ref.No.	Part No.	Description	Q' ty		Remarks	
			BFT200A	BFT225A		
E-18	30	HZY6-16718-013	INSULATOR COMP.	1	1	
E-18	31	HZY3-16721-000	INSULATOR	1	1	
E-18	32	HZY6-16723-003	RING	1	1	
E-18	33	HZX2-16730-003	SEPARATOR ASSY., VAPOR	1	1	
E-18	34	HZW5-16733-000	GROMMET, VAPOR SEPARATOR	1	1	
E-18	35	HZY3-16733-000	GROMMET, VAPOR SEPARATOR	2	2	
E-18	36	HZY3-16734-000	STAY, PLATE	1	1	
E-18	37	HZY3-16735-004	PUMP UNIT, FUEL	1	1	
E-18	38	HZY3-16752-000	JOINT, FUEL PIPE	1	1	
E-18	39	HZY3-16911-010	SCREEN COMP., FUEL STRAINER	1	1	
E-18	40	HZY3-16913-000	SPRING, SET	1	1	
E-18	41	HZX2-32166-003	HARNESS COMP.	1	1	
E-18	42	HPR7-36361-A01	TANK COMP., VACUUM	1	1	
E-18	43	HZY3-36362-000	STAY, VACUUM TANK	1	1	
E-18	44	HZY3-36620-000	PLATE	1	1	
E-18	45	HPP4-90009-E01	BOLT, SEALING, 6MM	1	1	
E-18	46	HZW1-90014-000	BOLT-WASHER, 8X35	1	1	
E-18	47	HZW9-90016-000	BOLT, FLANGE, 6X25	4	4	
E-18	48	HZY3-90017-000	BOLT, FLANGE, 6X16	2	2	
E-18	49	HZY3-90021-000	BOLT, FLANGE, 6X14	2	2	
E-18	50	HZY3-90050-000	BOLT, FLANGE, 6X12	1	1	
E-18	52	HPD6-90430-003	WASHER, SEALING, 6MM	1	1	
E-18	53	HZB7-90691-003	CLIP, HARNESS	2	2	
E-18	54	HMJ0-91301-003	O-RING, 7.8X1.9(ARAI)	2	2	
E-18	55	HZW1-91554-000	COLLAR, 8.5X14.5	3	3	
E-18	56	HZW5-32168-003	BAND	1	1	
E-18	57	HZY3-90054-000	BOLT, FLANGE, 8X35	2	2	

FR. 



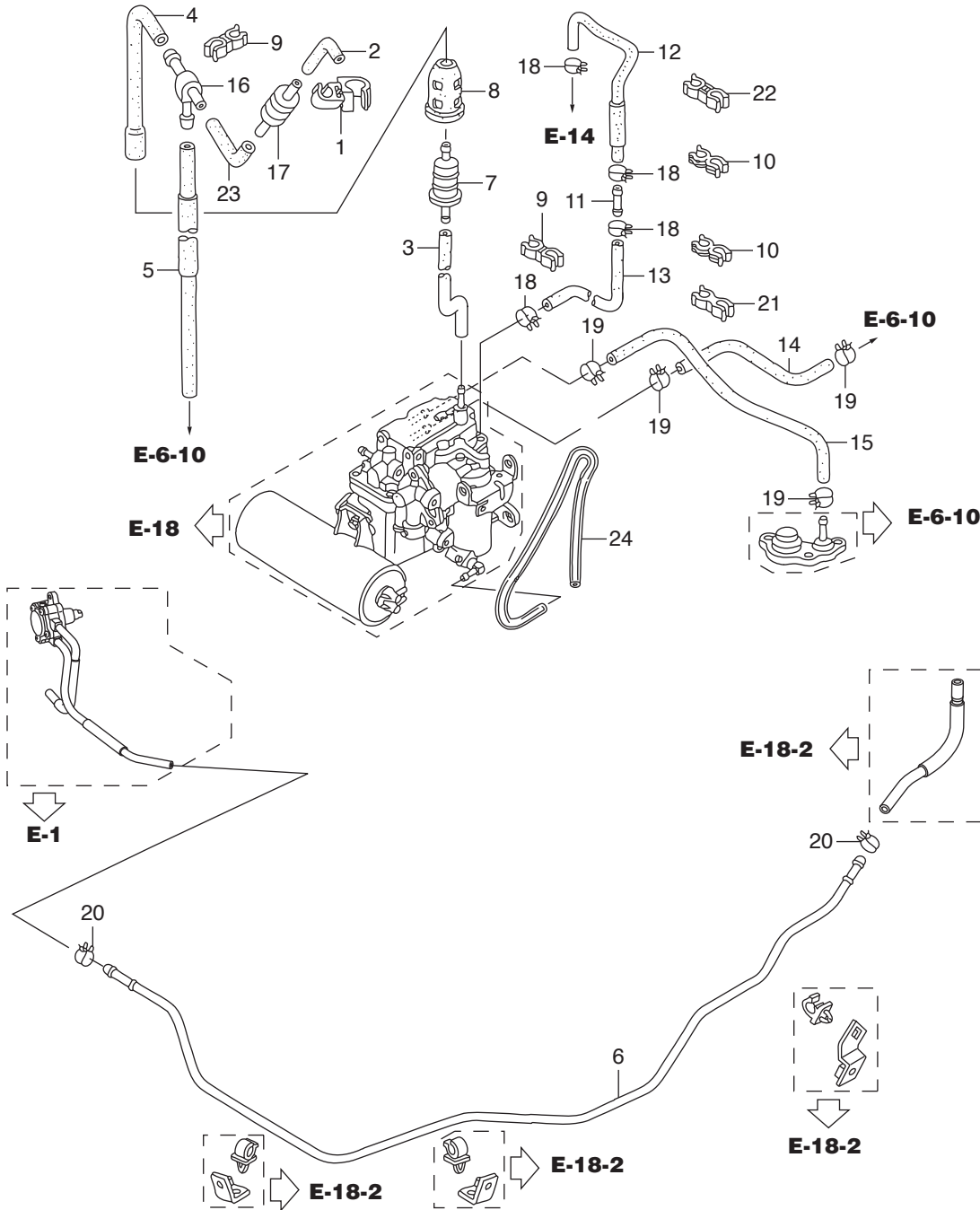
Ref.No.	Part No.	Description	Q' ty		Remarks	
			BFT200A	BFT225A		
E-18-2	1	HZX2-16024-003	SCREW SET, DRAIN	1	1	
E-18-2	2	HGHB-16163-600	CLIP, TUBE	1	1	
E-18-2	3	HZX2-16736-003	STAY COMP.	1	1	
E-18-2	4	HZY3-16753-000	STAY, FUEL PIPE A	1	1	
E-18-2	5	HZY3-16754-000	STAY, FUEL PIPE B	2	2	
E-18-2	6	HZX2-16800-003	SEPARATOR ASSY., WATER	1	1	
E-18-2	7	HZX2-16805-003	CUP SET, WATER SEPARATOR	1	1	
E-18-2	8	HZY3-16807-003	BUFFER, PLATE	1	1	
E-18-2	9	HZX2-16814-000	STAY, WATER SEPARATOR	1	1	
E-18-2	10	HZX2-16860-000	TUBE COMP. B, FUEL	1	1	
E-18-2	11	HZX2-16880-000	TUBE COMP. D, FUEL	1	1	
E-18-2	12	HZX2-16890-000	TUBE COMP. E, FUEL	1	1	
E-18-2	13	HZX2-16900-003	STRAINER ASSY., FUEL	1	1	
E-18-2	14	HZZ5-16901-003	FILTER	1	1	
E-18-2	15	HZY3-16904-003	SCREW, PAN, 5X12	3	3	
E-18-2	16	HZZ5-16906-003	FLOAT	1	1	
E-18-2	17	HZX2-16912-003	CUP	1	1	
E-18-2	18	HZX2-16914-000	STAY, FUEL STRAINER	1	1	
E-18-2	19	HZY3-16915-010	SUSPENSION, STRAINER	1	1	
E-18-2	20	HZZ5-16915-000	SUSPENSION, STRAINER	1	1	
E-18-2	21	HZY3-16918-003	O-RING	1	1	
E-18-2	22	HZZ5-16918-003	O-RING	1	1	
E-18-2	23	HZY3-16919-003	PLATE	1	1	
E-18-2	24	HZZ5-16919-003	O-RING	1	1	
E-18-2	25	HZX2-16940-003	COCK ASSY., FUEL DRAIN	1	1	
E-18-2	26	HZW9-90014-000	BOLT, FLANGE, 6X10	2	2	
E-18-2	27	HZY3-90056-000	BOLT, FLANGE, 6X12	3	3	
E-18-2	28	H921-90602-000	CLIP, TUBE(B8)	1	1	
E-18-2	29	HZV0-90604-000	CLIP, TUBE(B12)	2	2	

FR. 



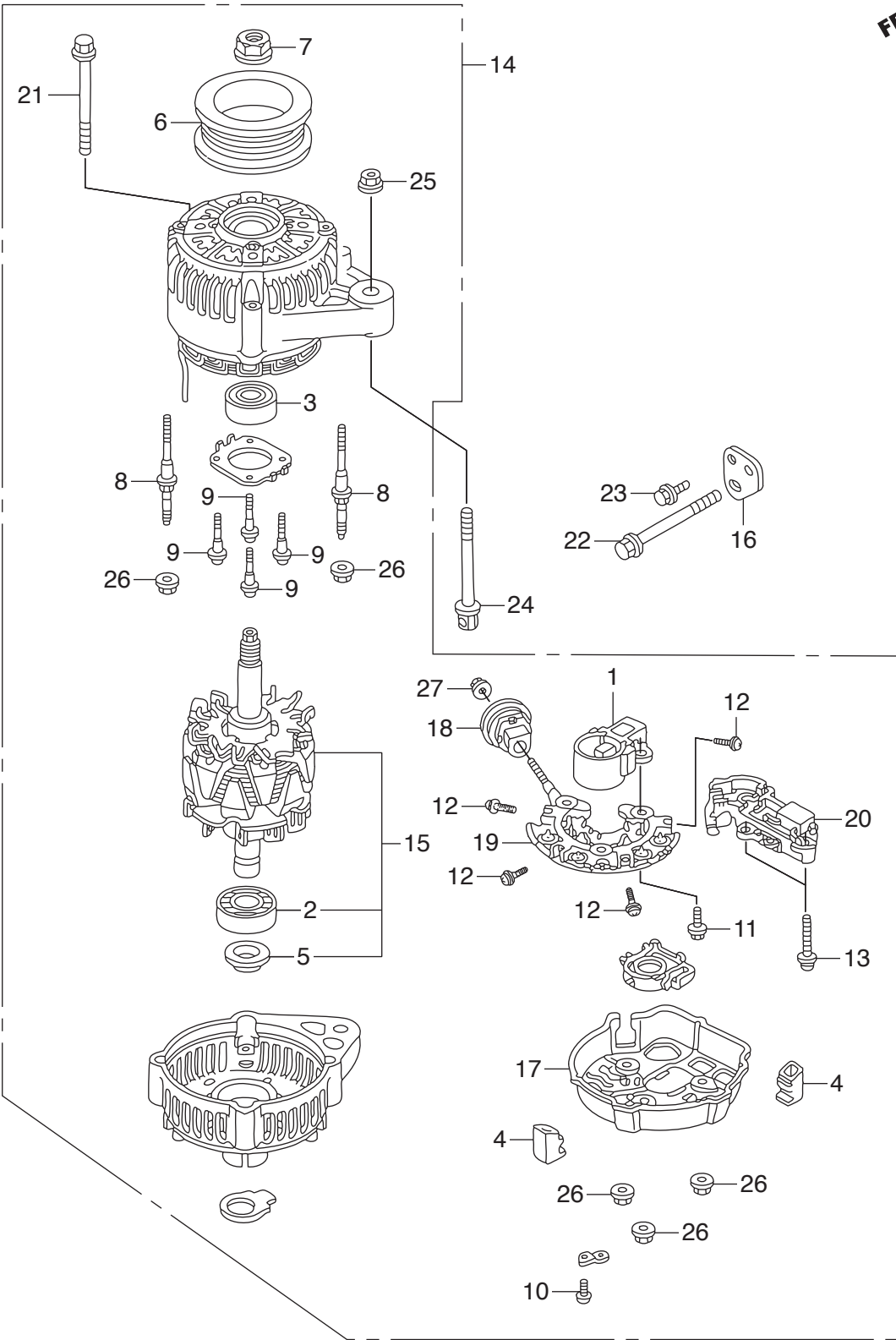


FR. 



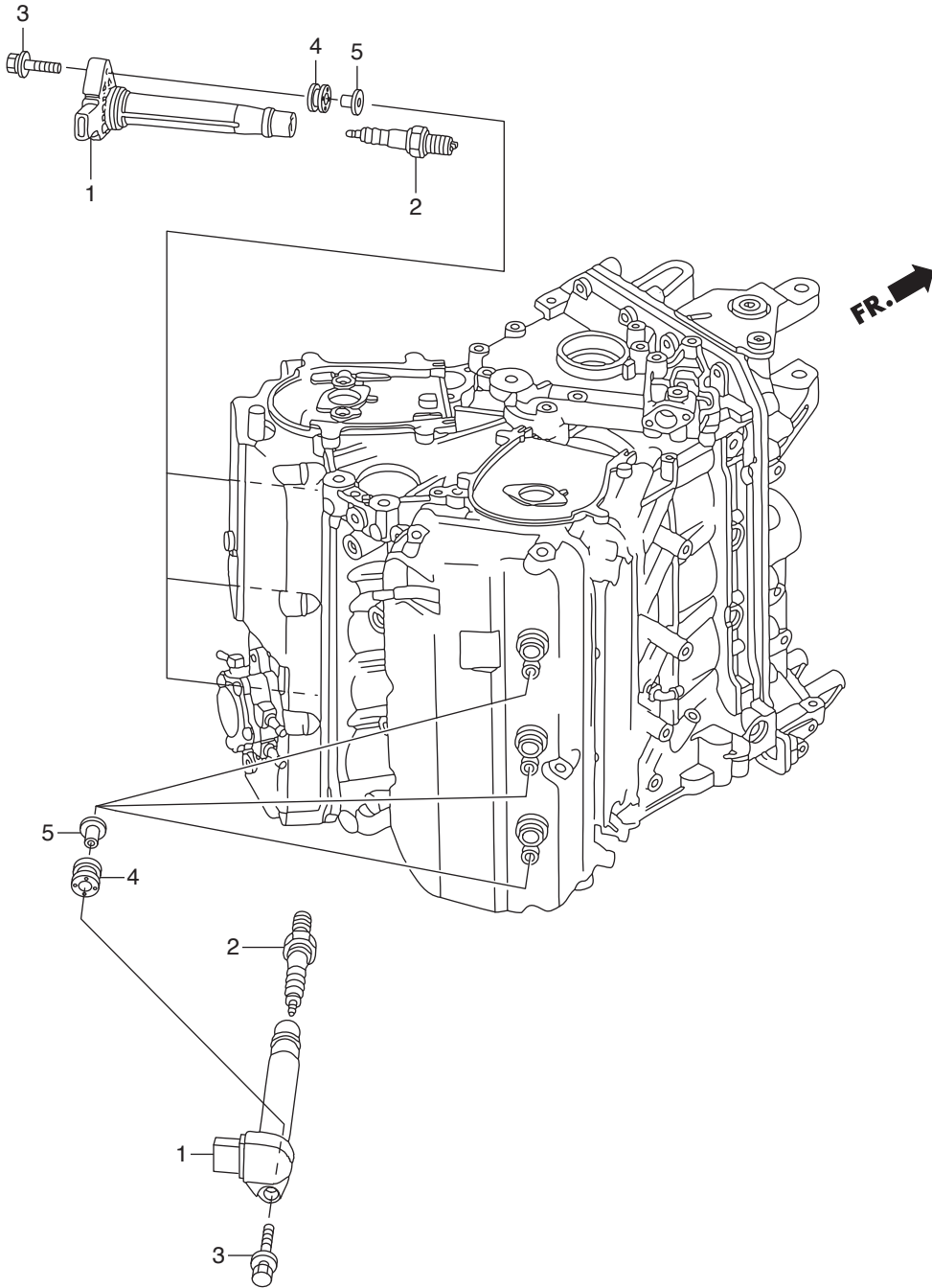
Ref.No.	Part No.	Description	Q' ty		Remarks	
			BFT200A	BFT225A		
E-18-10	1	HZY3-16193-A00	CLAMP, CHECK VALVE	1	1	
E-18-10	2	HZY3-16196-A00	TUBE, CHECK VALVE	1	1	
E-18-10	3	HZY3-16197-000	TUBE A, AIR VENT	1	1	
E-18-10	4	HZY3-16198-A00	TUBE B, AIR VENT	1	1	
E-18-10	5	HZY3-16199-A00	TUBE COMP., AIR VENT	1	1	
E-18-10	6	HZY3-16751-000	PIPE, FUEL	1	1	
E-18-10	7	H759-16911-003	STRAINER, FUEL PUMP	1	1	
E-18-10	8	HZW5-16915-000	SUSPENSION, STRAINER	1	1	
E-18-10	9	HVM0-16965-771	CLAMP, HOSE	2	2	
E-18-10	10	HKY7-17450-740	CLIP, TUBE	2	2	
E-18-10	11	HZY3-17721-000	JOINT, FUEL RETURN	1	1	
E-18-10	12	HZY3-17723-A01	HOSE A, PRESSURE REGULATOR	1	1	RETURN
E-18-10	13	HZY3-17724-010	HOSE B, PRESSURE REGULATOR	1	1	RETURN
E-18-10	14	HZY3-19258-010	TUBE, WATER IN.	1	1	
E-18-10	15	HZY3-19259-000	TUBE, WATER OUTLET	1	1	
E-18-10	16	HZY6-19269-000	T-JOINT	1	1	
E-18-10	17	HZY6-36135-003	VALVE, CHECK	1	1	
E-18-10	18	HZW5-90601-030	CLAMP, TUBE(D10.7)	4	4	
E-18-10	19	HZY3-90601-030	CLAMP, TUBE(D10.5)	4	4	
E-18-10	20	HZW5-90602-030	CLAMP, TUBE(D12)	2	2	
E-18-10	21	HMB1-90655-921	CLIP, WIRE	1	1	
E-18-10	22	HSL0-91592-A51	CLAMP, FUEL TUBE	1	1	
E-18-10	23	HCO-95001-35055-40	TUBE, FUEL, 3.5X55	1	1	(HC-95001-35001-60M)
E-18-10	24	HCO-95003-05060-31	TUBE, VINYL, 3.5X6.5X600	1	1	(HC-95003-05001-60M)

FR. 

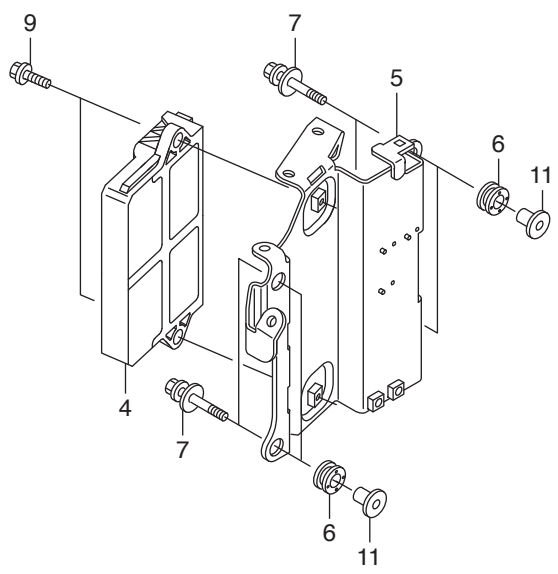
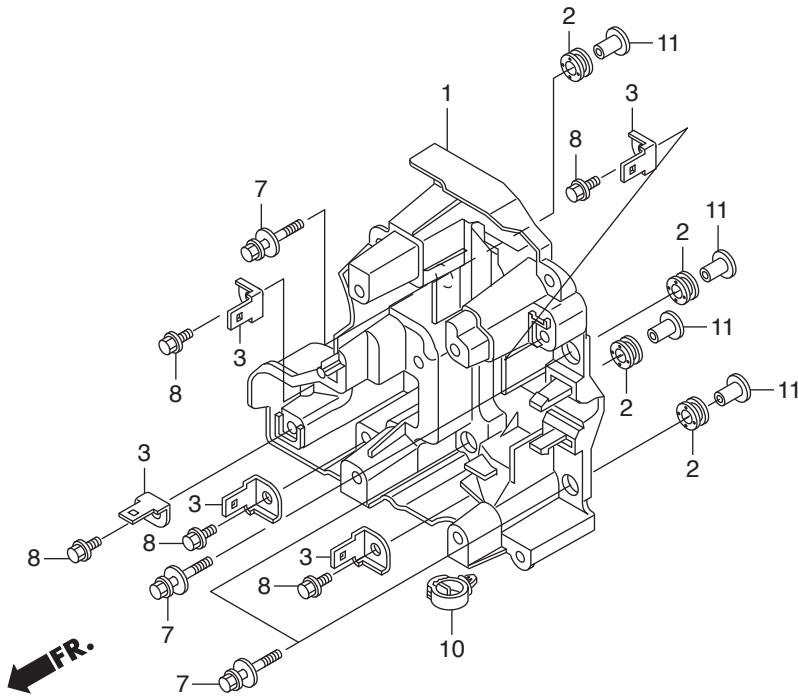




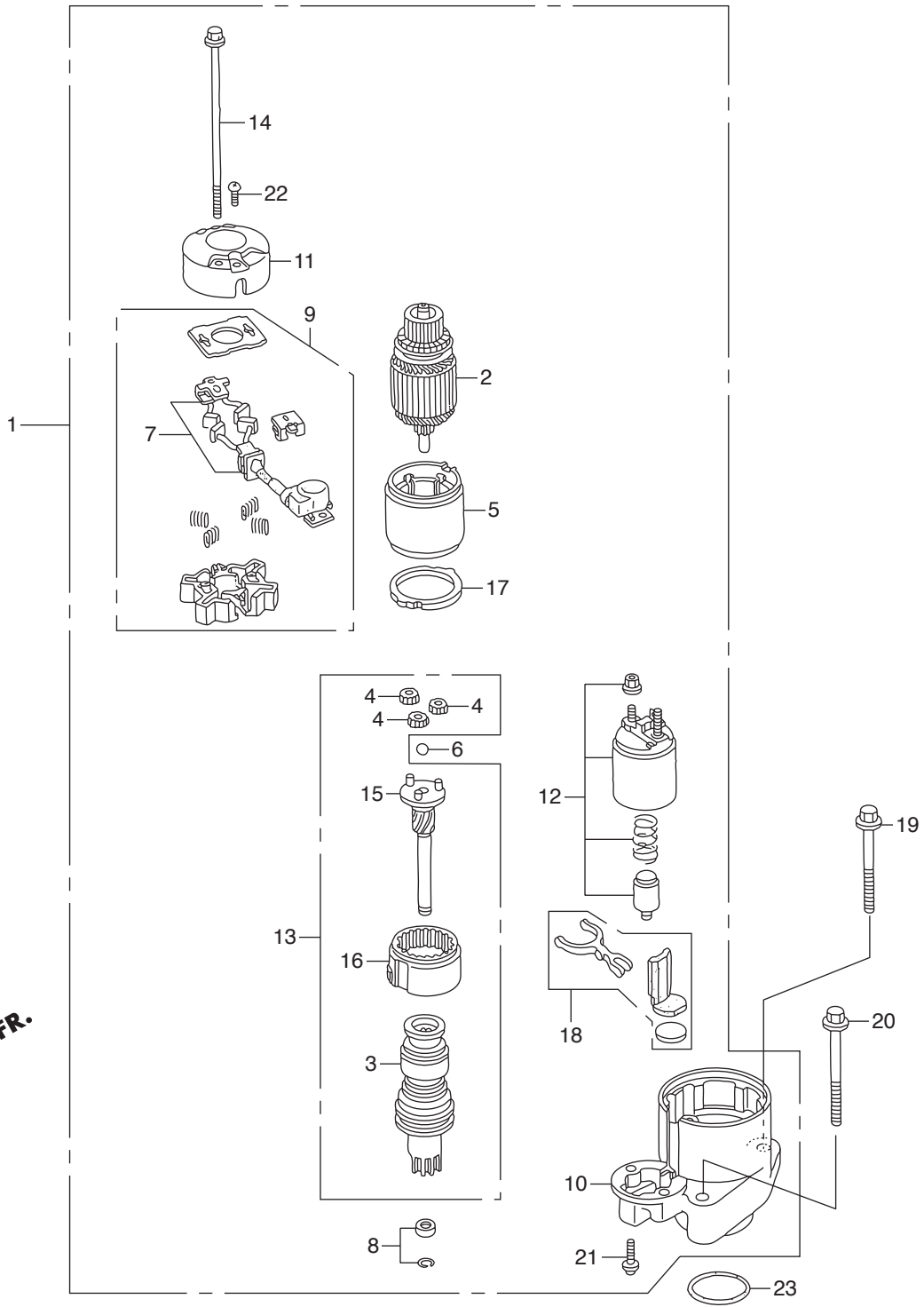
Ref.No.	Part No.	Description	Q' ty		Remarks	
			BFT200A	BFT225A		
E-19	1	HPR7-31105-A01	HOLDER ASSY., BRUSH	1	1	
E-19	2	HPT0-31111-003	BEARING, RR. GENERATOR	1	1	
E-19	3	HPT0-31114-013	BEARING, FR. GENERATOR	1	1	
E-19	4	HPT0-31118-003	BUSH, INSULATION	4	4	
E-19	5	HPD1-31138-004	COVER, BEARING	1	1	
E-19	6	HP13-31141-003	PULLEY	1	1	
E-19	7	HPD1-31142-004	NUT, PULLEY LOCK	1	1	
E-19	8	HPD1-31145-004	BOLT, STUD, 6X68	4	4	
E-19	9	HPT0-31146-003	SCREW	4	4	
E-19	10	HP13-31147-003	SCREW	1	1	
E-19	11	HPT0-31147-003	SCREW-WASHER	3	3	
E-19	12	HP13-31148-003	SCREW, WAVE WASHER	4	4	
E-19	13	HPT0-31148-003	SCREW, WAVE WASHER	2	2	
E-19	14	HZY3-31630-003	GENERATOR ASSY., A.C.	1	1	
E-19	15	HZY3-31631-003	ROTOR ASSY.	1	1	
E-19	16	HZY3-31637-000	STAY, A.C. GENERATOR	1	1	
E-19	17	HZY3-31639-003	END COVER, RR.	1	1	
E-19	18	HZY3-31694-003	BUSH, INSULATION	1	1	
E-19	19	HZY3-31710-003	RECTIFIER ASSY.	1	1	
E-19	20	HZY3-31750-003	REGULATOR ASSY.	1	1	
E-19	21	HZX2-90002-000	BOLT, FLANGE, 10X90	1	1	
E-19	22	HZW5-90011-010	BOLT, SPECIAL ADJUSTER	1	1	
E-19	23	HZY3-90017-000	BOLT, FLANGE, 6X16	1	1	
E-19	24	HZY3-90055-000	BOLT, TENSIONER	1	1	
E-19	25	HZW5-90203-010	NUT, FLANGE, 8MM	1	1	
E-19	26	HPD1-90231-014	NUT-WASHER, 5MM	7	7	
E-19	27	HCO-94001-06080-0S	NUT, HEX., 6MM	1	1	



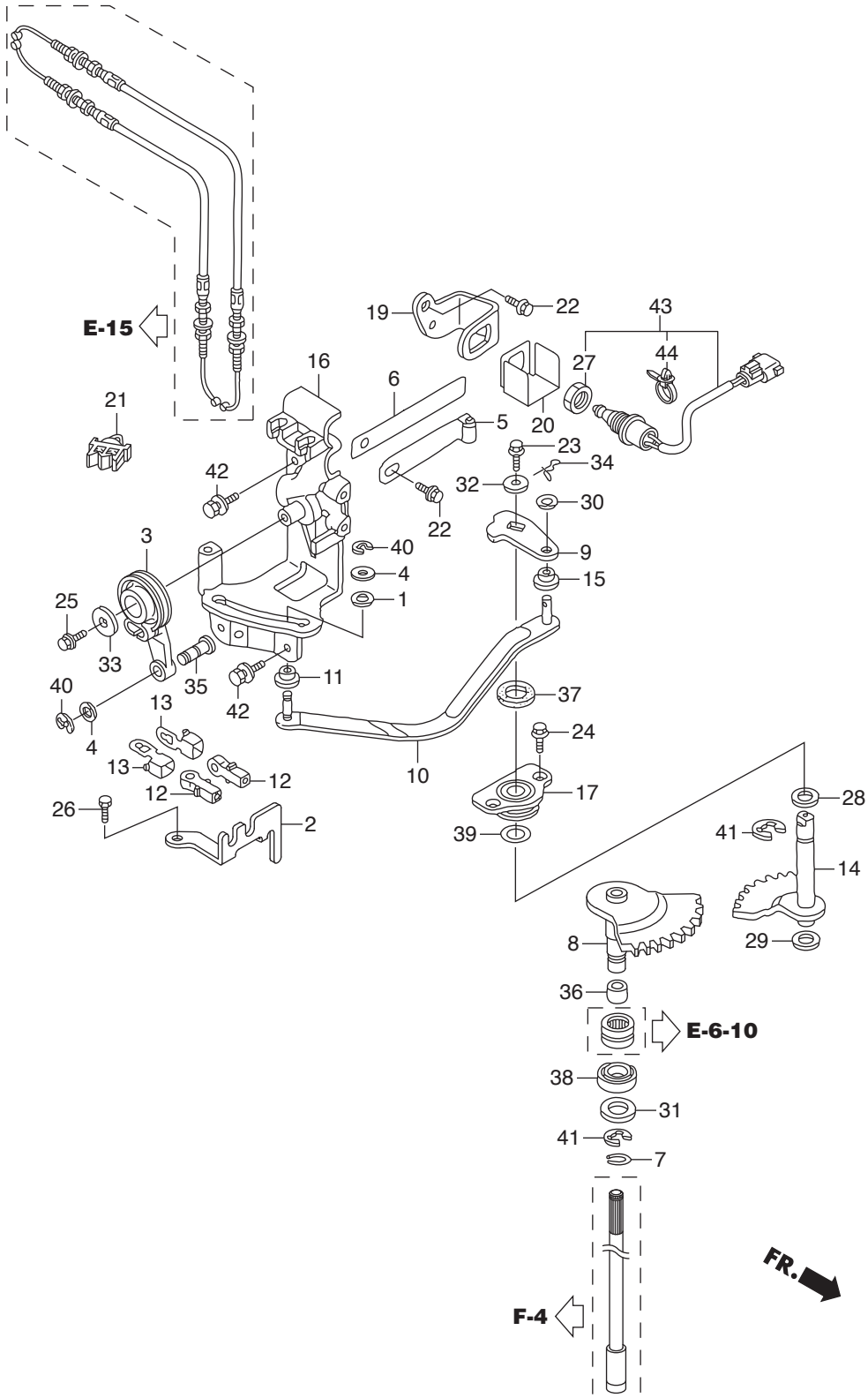






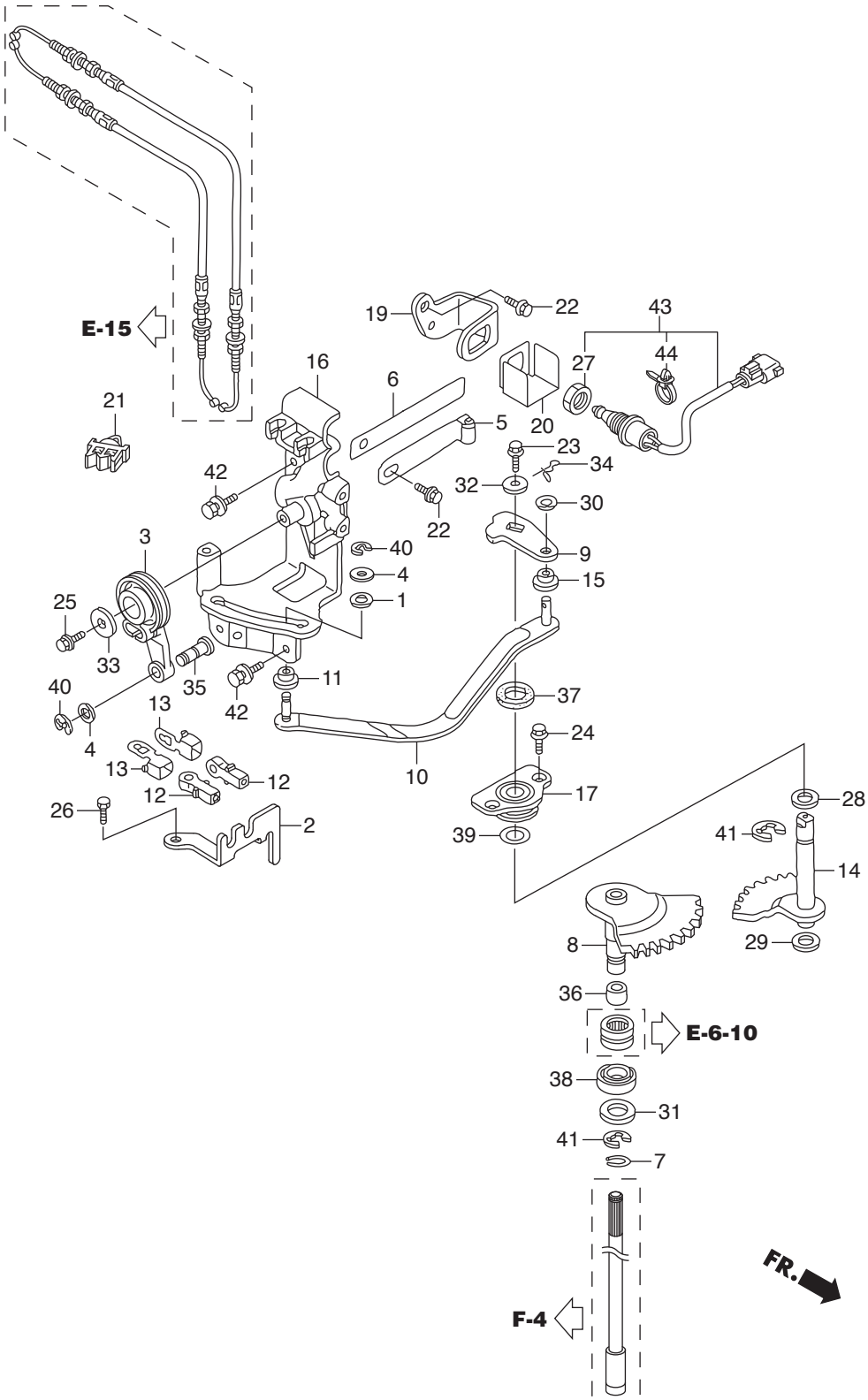


Ref.No.	Part No.	Description	Q' ty		Remarks	
			BFT200A	BFT225A		
E-21	1	HZY3-31200-003	MOTOR ASSY., STARTER	1	1	
E-21	2	HP5A-31201-005	ROTOR COMP.	1	1	
E-21	3	HZY3-31207-003	CLUTCH COMP., OVERRUNNING	1	1	
E-21	4	HPY3-31215-004	GEAR ASSY., PLANETARY	3	3	
E-21	5	HZY3-31216-003	YOKE COMP.	1	1	
E-21	6	HPY3-31218-004	BALL, STEEL	1	1	
E-21	7	HZW1-31226-004	BRUSH SET	1	1	
E-21	8	HZW1-31229-004	STOPPER SET, SLEEVE	1	1	
E-21	9	HZW1-31231-004	HOLDER COMP., BRUSH	1	1	
E-21	10	HZY3-31235-003	BRACKET, FR.	1	1	
E-21	11	HZY3-31236-003	BRACKET, RR.	1	1	
E-21	12	HZY3-31240-003	SWITCH ASSY., MAGNET	1	1	
E-21	13	HZY3-31242-003	SHAFT ASSY., CLUTCH	1	1	
E-21	14	HP5A-31243-005	BOLT A, THROUGH	2	2	
E-21	15	HZY3-31246-003	SHAFT ASSY., GEAR	1	1	
E-21	16	HZY3-31247-003	GEAR ASSY., INTERNAL	1	1	
E-21	17	HZY3-31249-003	PACKING	1	1	
E-21	18	HZY3-31250-003	LEVER SET	1	1	
E-21	19	HZY3-90002-000	BOLT, FLANGE, 10X90	1	1	
E-21	20	HZY3-90003-000	BOLT, FLANGE, 10X110	1	1	
E-21	21	HZW1-90106-004	SCREW, PAN, 6X22(SPECIAL)	2	2	
E-21	22	HZW1-90107-004	SCREW, PAN, 5X8	2	2	
E-21	23	HZY3-91303-000	O-RING, 59.4X3.1	1	1	

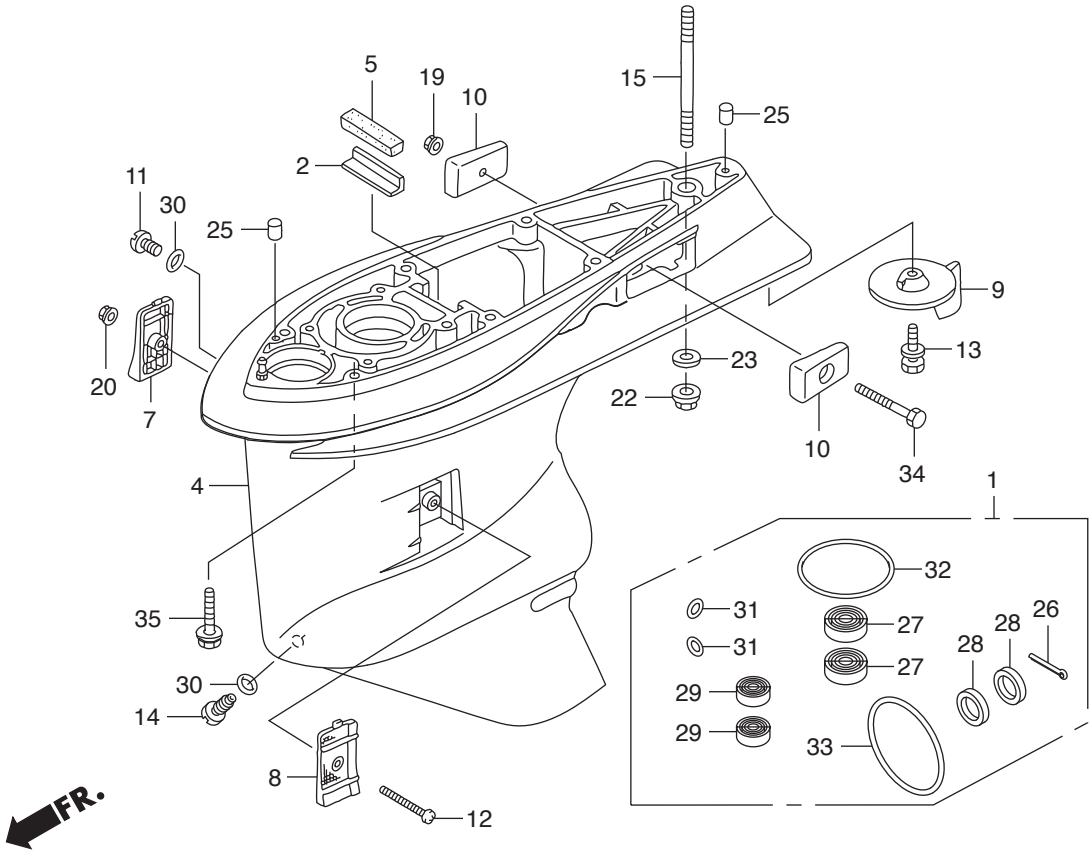




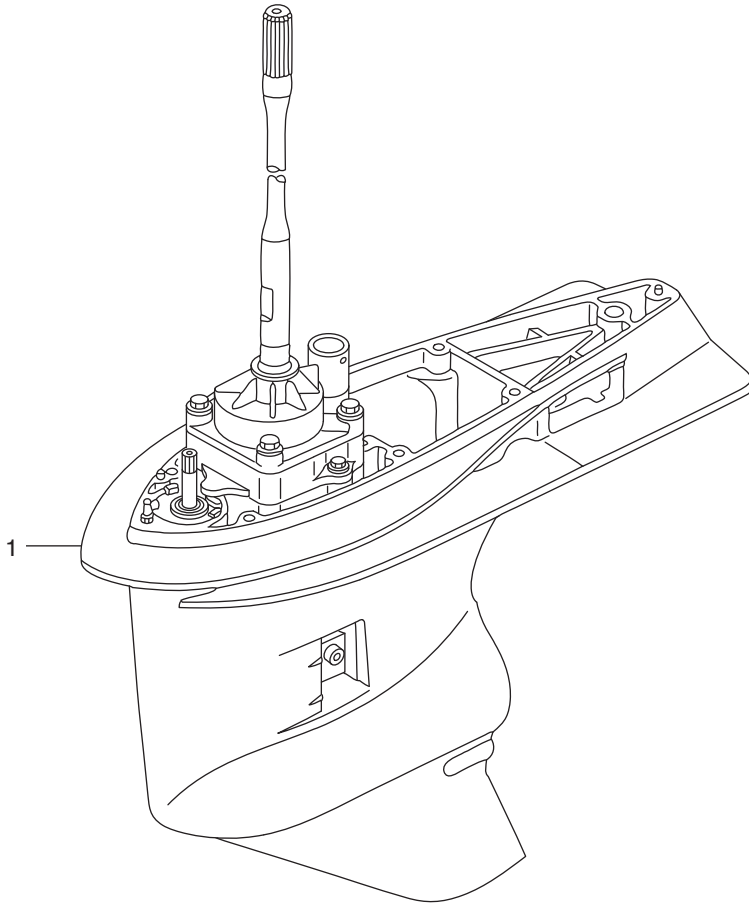
Ref.No.	Part No.	Description	Q' ty		Remarks	
			BFT200A	BFT225A		
F-2	1	HKN5-17224-670	WASHER, AIR CLEANER COVER	1	1	SETTING
F-2	2	HZY3-17877-000	PLATE, REMOTE CONTROL CABLE	1	1	
F-2	3	HZY3-17931-000	ARM, THROTTLE	1	1	
F-2	4	H921-17936-000	WASHER, PIVOT	2	2	
F-2	5	HZW1-24210-010	SPRING COMP., CLICK	1	1	
F-2	6	HZY3-24221-000	SPRING, CLICK ASSIST	1	1	
F-2	7	HZW1-24327-000	RING, STOPPER	1	1	
F-2	8	HZY3-24610-A00	SHAFT COMP., SHIFT(A)	1	1	
F-2	9	HZY3-24612-010	ARM, SHIFT	1	1	
F-2	10	HZY3-24613-000	ROD, LINK	1	1	
F-2	11	HZY3-24617-000	COLLAR, SHIFT SLIDER	1	1	
F-2	12	HZY3-24618-000	PIVOT, SHIFT	2	2	
F-2	13	HZY3-24619-000	PLATE, LOCK	2	2	
F-2	14	HZY3-24620-000	SHAFT COMP., SHIFT(B)	1	1	
F-2	15	HZY3-24623-000	BUSH, SHIFT ARM	1	1	
F-2	16	HZY3-24628-000	BRACKET, SHIFT LINK	1	1	
F-2	17	HZW1-24629-000	HOLDER, SEAL	1	1	
F-2	19	HZY3-35476-010	BRACKET, NEUTRAL SWITCH	1	1	
F-2	20	HZY3-35477-000	COVER, NEUTRAL SWITCH	1	1	
F-2	21	HS0X-46392-A01	CLIP, BRAKE PIPE	1	1	
F-2	22	HZW9-90011-000	BOLT, FLANGE, 6X14(CT200)	2	2	
F-2	23	HZY3-90017-000	BOLT, FLANGE, 6X16	1	1	
F-2	24	HZW5-90023-000	BOLT, FLANGE, 6X11	2	2	
F-2	25	HZW9-90102-000	BOLT, FLANGE, 6X12	1	1	
F-2	26	HZV4-90127-000	BOLT, HEX., 6X16	1	1	
F-2	27	HZV5-90302-003	NUT, HEX., 20MM	1	1	
F-2	28	HHA0-90402-000	WASHER, THRUST, 14MM	1	1	
F-2	29	H958-90428-000	WASHER B, THRUST, 14MM	1	1	
F-2	30	HZV4-90506-000	WASHER, PLAIN, 6MM	1	1	



Ref.No.	Part No.	Description	Q' ty		Remarks	
			BFT200A	BFT225A		
F-2	31	HZV7-90508-000	WASHER	1	1	
F-2	32	HZY3-90508-000	WASHER, PLAIN, 6MM	1	1	
F-2	33	HZV4-90512-000	WASHER, PLAIN, 6MM	1	1	
F-2	34	HSD2-90705-931	PIN, SNAP, 6MM	1	1	
F-2	35	HZY3-90751-000	PIN, LINK	1	1	
F-2	36	HZY3-91152-003	RING, INNER(15X20X23)	1	1	
F-2	37	HZW5-91251-003	OIL SEAL, 14X26X6	1	1	
F-2	38	HZY3-91255-003	SEAL, WATER(14X26X8)	1	1	
F-2	39	HPF0-91302-003	O-RING, 26.9X2.4(NOK)	1	1	
F-2	40	HCO-94540-04029	E-RING, 4MM	2	2	
F-2	41	HCO-94540-12029	E-RING, 12MM	2	2	
F-2	42	HZX2-90101-C00	BOLT-WASHER, 6X16	3	3	
F-2	43	HZX2-35470-013	SWITCH ASSY., NEUTRAL	1	1	
F-2	44	HS0A-91541-003	CLIP, HARNESS BAND(BLACK)	1	1	(145MM)

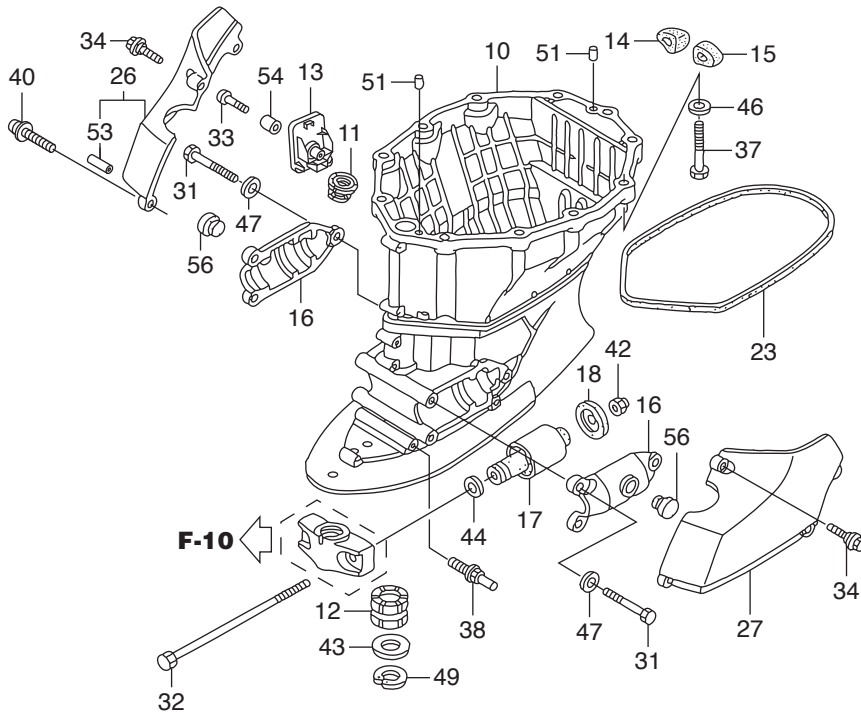
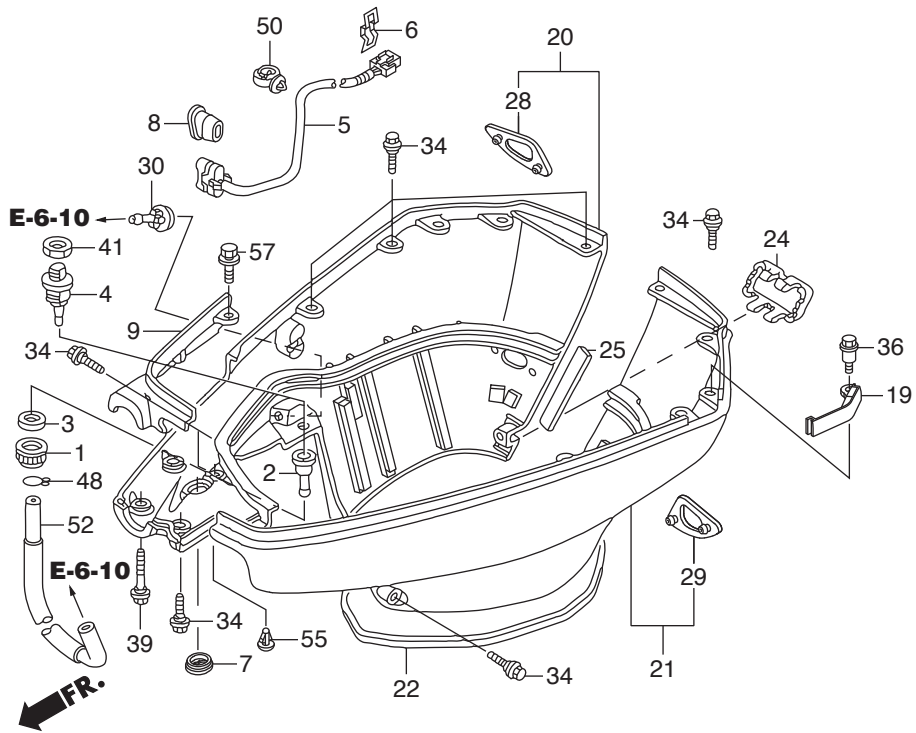


Ref.No.	Part No.	Description	Q' ty		Remarks	
			BFT200A	BFT225A		
F-3	1	HZY3-06125-C00	CASE KIT, GEAR	-	1	
F-3	2	HZW1-19286-B00	PLATE, RUBBER SETTING	1	1	
F-3	4	HZY3-41101-C00ZC	CASE, GEAR	1	1	*T107* BAY BLUE
F-3	5	HZW1-41102-B00	GROMMET, GEAR CASE	1	1	
F-3	7	HZY3-41104-C01	SCREEN, R. WATER	1	1	
F-3	8	HZY3-41105-C01	SCREEN, L. WATER	1	1	
F-3	9	HZX2-41107-C00ZC	TAB, TRIM	1	1	*T107* BAY BLUE
F-3	10	HZW1-41109-B00	METAL COMP., ANODE	2	2	
F-3	11	HZW9-90101-003	BOLT, OIL CHECK	1	1	
F-3	12	HZZ0-90101-000	SCREW, FLAT, 5X55	1	1	
F-3	13	HZY6-90103-000	BOLT-WASHER, 10X32	1	1	
F-3	14	HZY3-90120-000	BOLT, DRAIN PLUG	1	1	
F-3	15	HZY3-90124-000	BOLT, STUD, 12X40	1	1	
F-3	19	HZY1-90205-000	NUT, SELF-LOCK, 6MM	1	1	
F-3	20	HZV4-90302-000	NUT, SELF-LOCK, 5MM	1	1	
F-3	22	HZW1-90308-003	NUT, SELF-LOCK, 12MM	1	1	
F-3	23	HZV5-90559-000	WASHER, PLAIN, 12MM	1	1	
F-3	25	HZV5-90756-000	DOWEL PIN, 6X10	2	2	
F-3	26	HZW1-90758-B00	PIN, SPLIT, 4.0	-	1	
F-3	27	HZY3-91251-C01	SEAL, WATER, 26X42X7	-	2	
F-3	28	HZZ3-91252-003	SEAL, WATER, 30X45X7	-	2	
F-3	29	HZY3-91254-003	SEAL, WATER, 12X21X6	-	2	
F-3	30	HZW4-91301-003	O-RING, 6.9X1.45	2	2	
F-3	31	HZW4-91301-003	O-RING, 6.9X1.45	-	2	
F-3	32	HMJ0-91308-003	O-RING	-	1	
F-3	33	HZY3-91351-C00	O-RING, 110X3.1	-	1	
F-3	34	HCO-92101-06055-4J	BOLT, HEX., 6X55	1	1	
F-3	35	HZX2-90107-C00	BOLT-WASHER, 10X47	6	6	



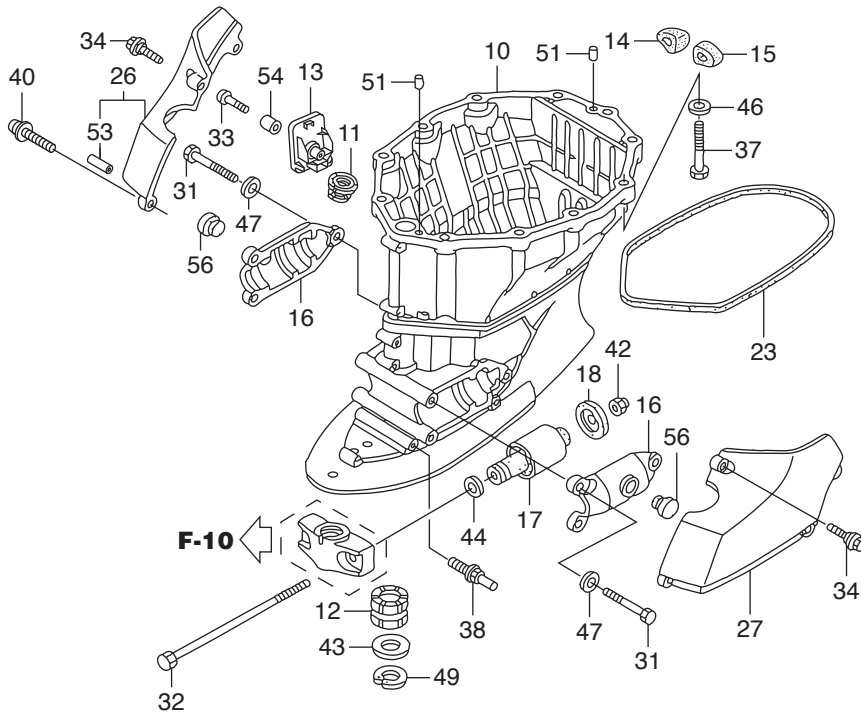
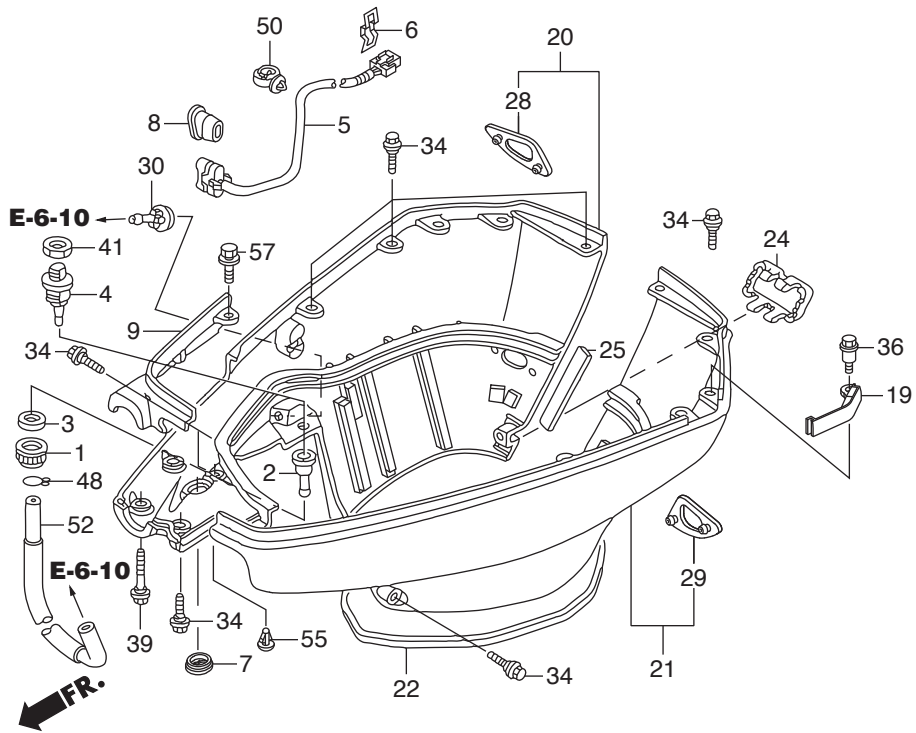
**←FR.**



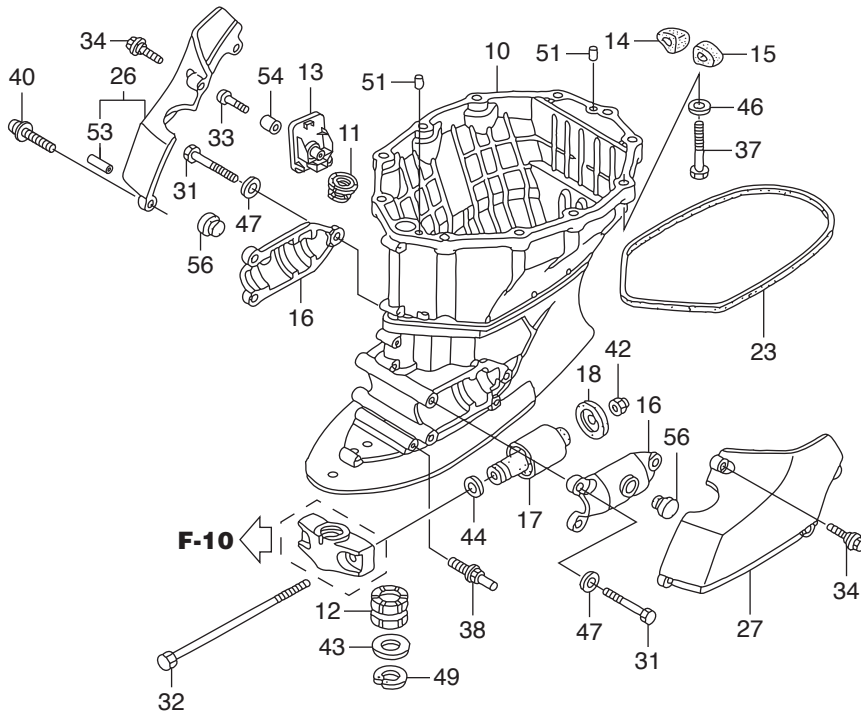
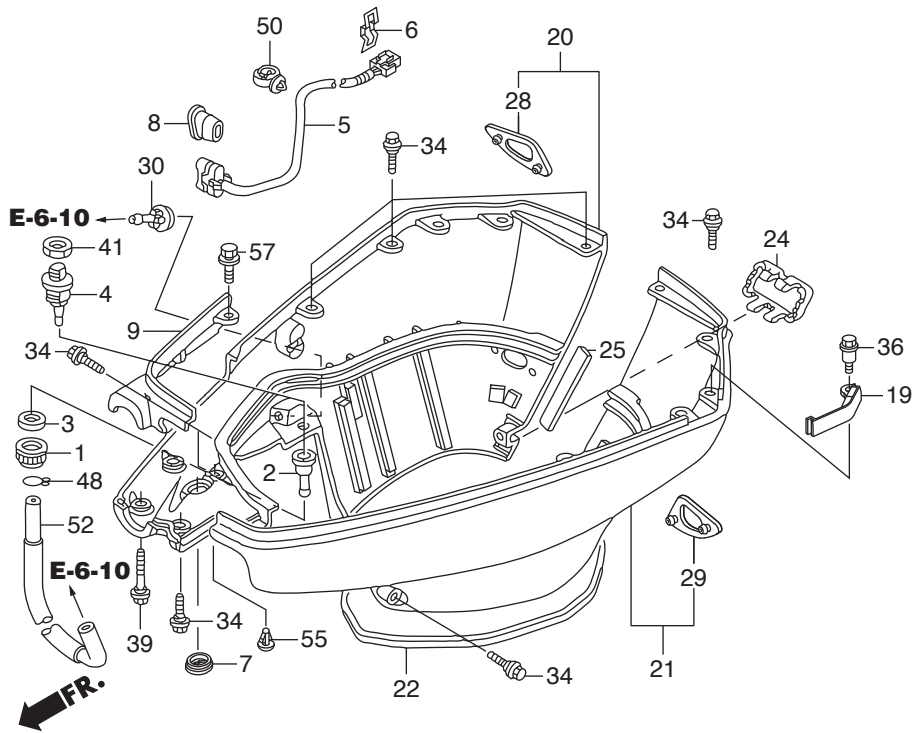




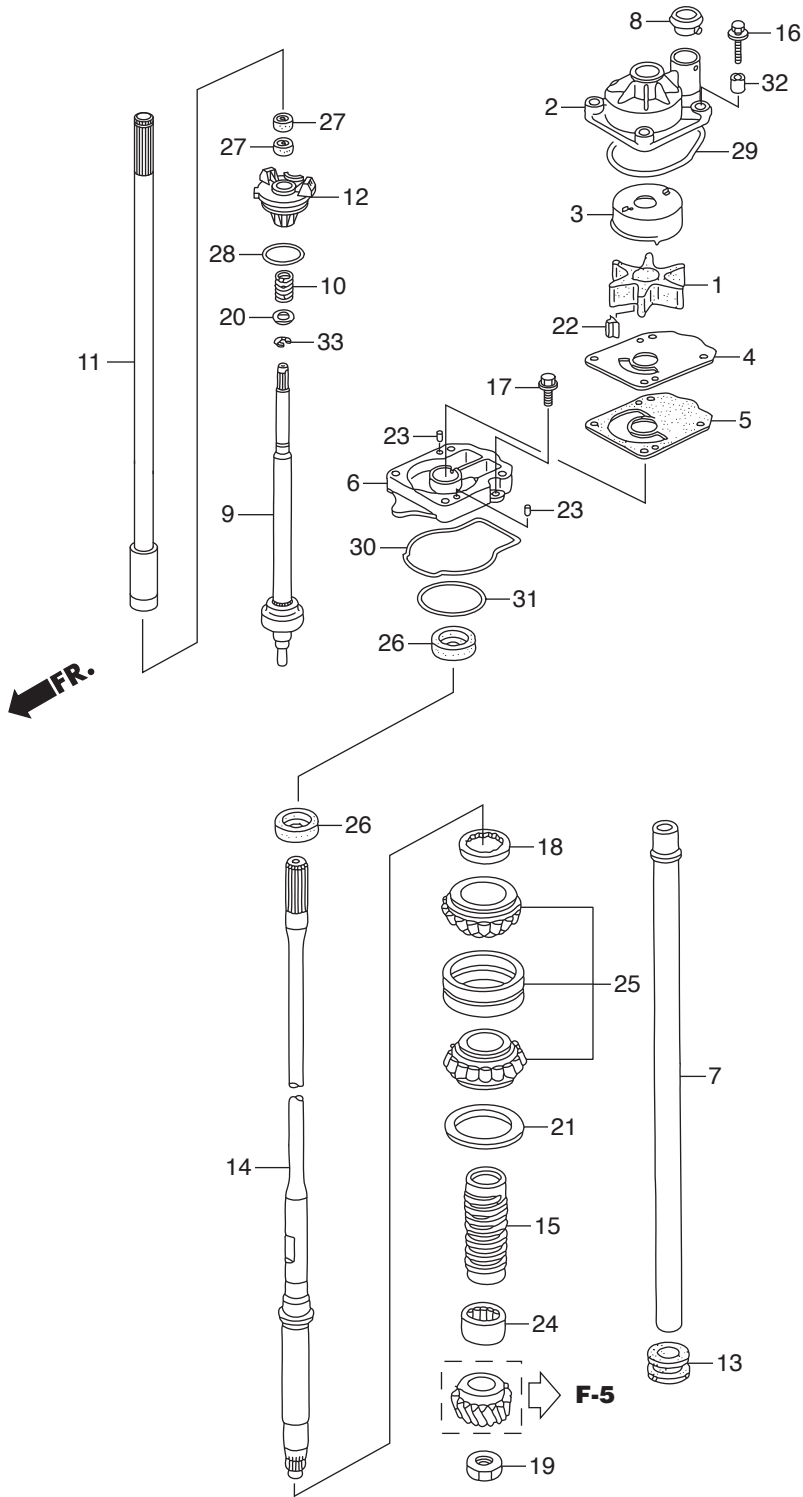
Ref.No.	Part No.	Description	Q' ty		Remarks	
			BFT200A	BFT225A		
F-3-20	1	HZY3-19270-000	NUT, WATER MOUTH	1	1	
F-3-20	2	HZY3-19271-000	JOINT, WATER HOSE	1	1	
F-3-20	3	HZY3-19272-000	SEAT, WATER MOUTH	1	1	
F-3-20	4	HZY3-19289-000	CAP, WATER JOINT	1	1	
F-3-20	5	HZY3-35640-013	SWITCH ASSY., POWER TILT	1	1	
F-3-20	6	HZY3-35645-000	STAY, POWER TILT SWITCH	1	1	
F-3-20	7	HZV5-40107-000	GROMMET, UNDER CASE(C)	1	1	
F-3-20	8	HZY3-40114-010	GROMMET, POWER TILT SWITCH	1	1	
F-3-20	9	HZY3-40151-000ZC	COVER, FR. SEPARATE	1	1	*T107* BAY BLUE
F-3-20	10	HZY3-40201-612ZC	CASE, EXTENSION	1	1	*T107* BAY BLUE XD,XU
F-3-20		HZY3-40201-020ZC	CASE, EXTENSION	1	-	*T107* BAY BLUE LU
F-3-20	11	HZW1-40209-000	RUBBER, DRAIN PLUG	1	1	
F-3-20	12	HZY3-40210-610	BUSH COMP., VERTICAL SHAFT	1	1	XD,XU
F-3-20	13	HZY3-40212-611ZC	COVER, DRAIN PLUG(XL)	1	1	*T107* BAY BLUE XD,XU
F-3-20		HZY3-40212-010ZC	COVER, DRAIN PLUG(L)	1	-	*T107* BAY BLUE LU
F-3-20	14	HZY3-40225-010	SEAL, R. IDOL PORT	1	1	
F-3-20	15	HZY3-40226-010	SEAL, L. IDOL PORT	1	1	
F-3-20	16	HZY3-50111-020	HOUSING, LOWER MOUNTING	2	2	
F-3-20	17	HZY3-50155-000	MOUNT COMP., LOWER RUBBER	2	2	
F-3-20	18	HZY3-50157-010	STOPPER, LOWER MOUNT	2	2	
F-3-20	19	HZY3-63347-C00	COVER, PLUG MAINTENANCE	1	1	
F-3-20	20	HZY3-63710-C00ZC	COVER COMP., R. UNDER ENGINE	1	1	*T107* BAY BLUE
F-3-20	21	HZY3-63715-C01ZC	COVER COMP., L. UNDER ENGINE	1	1	*T107* BAY BLUE
F-3-20	22	HZY3-63718-000	SEAL A, COVER UNDER	1	1	
F-3-20	23	HZX2-63719-C00	SEAL B, COVER UNDER	1	1	
F-3-20	24	HZY3-63722-010ZC	CAP, UNDER COVER	1	1	*T107* BAY BLUE
F-3-20	25	HZY3-63728-000	SEAL C, UNDER COVER	1	1	
F-3-20	26	HZY3-63731-A12ZC	COVER, R. LOWER MOUNTING	1	1	*T107* BAY BLUE XD,XU
F-3-20		HZY3-63731-A03ZC	COVER, R. LOWER MOUNTING	1	-	*T107* BAY BLUE LU



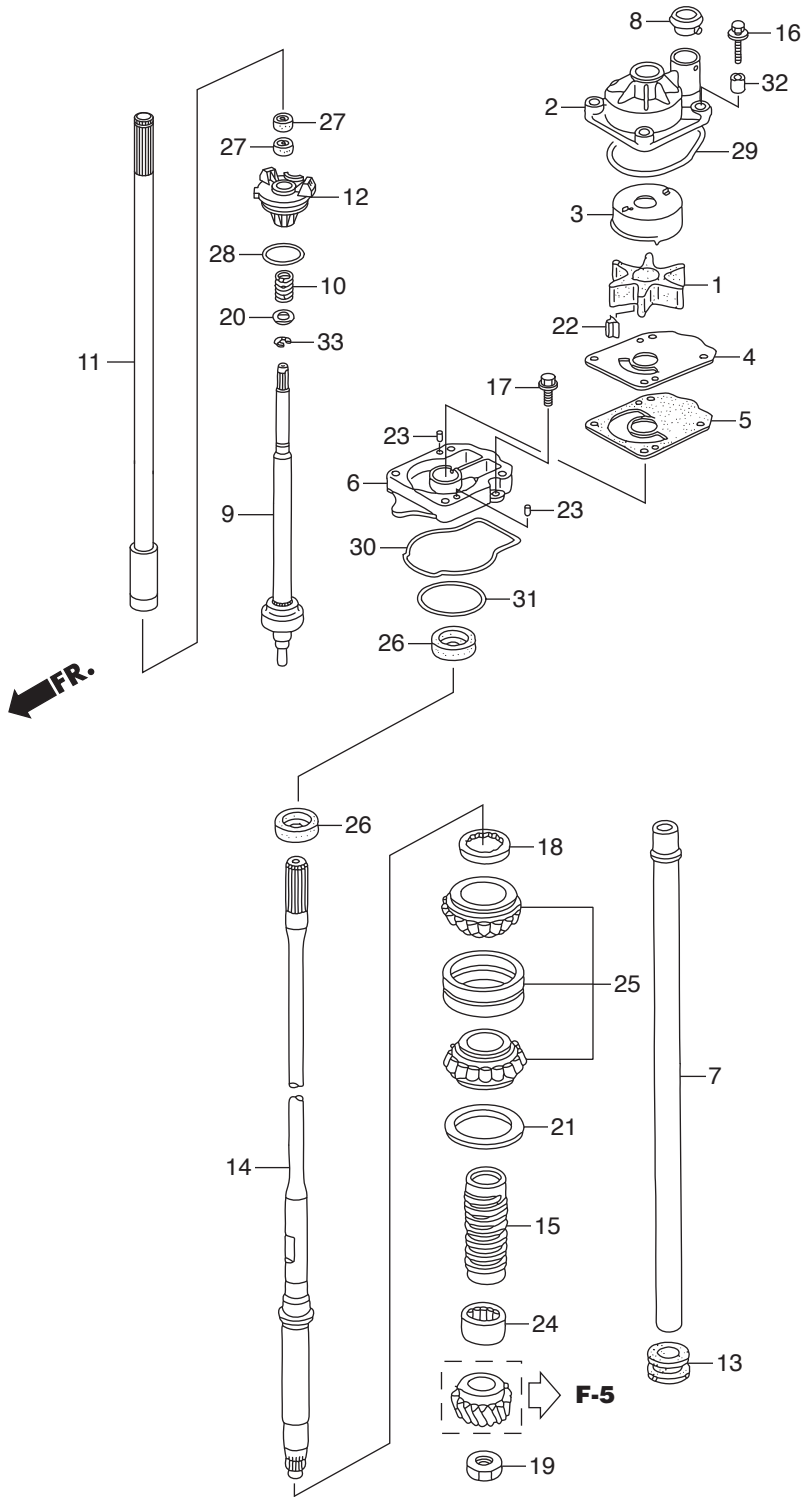
Ref.No.	Part No.	Description	Q' ty		Remarks	
			BFT200A	BFT225A		
F-3-20	27	HZY3-63736-A12ZC	COVER, L. LOWER MOUNTING	1	1	*T107* BAY BLUE XD,XU
F-3-20		HZY3-63736-A03ZC	COVER, L. LOWER MOUNTING	1	-	*T107* BAY BLUE LU
F-3-20	28	HZY3-63751-C00	GROMMET, R. IDLE PORT	1	1	
F-3-20	29	HZY3-63756-C00	GROMMET, L. IDLE PORT	1	1	
F-3-20	30	HZV5-82873-003	GROMMET, WATER CHECK	1	1	
F-3-20	31	HZY3-90102-A00	BOLT, HEX., 10X35	6	6	
F-3-20	32	HZY3-90105-010	BOLT, HEX., 14X180	2	2	
F-3-20	33	HZV5-90110-000	SCREW, SPECIAL, 6X35	1	1	
F-3-20	34	HZY3-90111-000	BOLT, SPECIAL, 6X17	26	26	
F-3-20	36	HZY3-90113-C00	BOLT, SPECIAL, 6X22	1	1	
F-3-20	37	HZY3-90122-000	BOLT, HEX., 12X50	11	11	
F-3-20	38	HZY3-90129-A00	BOLT, SPECIAL, 6X12	2	2	
F-3-20	39	HZY3-90132-000	BOLT, SPECIAL, 6X37	2	2	
F-3-20	40	HCO-93500-06025-4J	SCREW, PAN, 6X25	1	1	XD,XU
F-3-20		HZY3-90134-000	SCREW-WASHER, 6X40	1	-	LU
F-3-20	41	H921-90302-000	NUT, HEX., 16MM	1	1	
F-3-20	42	HZY3-90302-000	NUT, SELF-LOCK, 14MM	2	2	
F-3-20	43	HZY3-90503-610	WASHER, 30MM	1	1	XD,XU
F-3-20	44	HZY3-90511-000	WASHER, PLAIN, 14MM	2	2	
F-3-20	46	HZV5-90559-000	WASHER, PLAIN, 12MM	11	11	
F-3-20	47	HZV5-90563-000	WASHER, PLAIN, 10MM	6	6	
F-3-20	48	HZV4-90605-000	CLIP, TUBE(B12.5)	1	1	
F-3-20	49	HZY3-90652-000	CIRCLIP, INTERNAL, 43	1	1	XD,XU
F-3-20	50	HSA0-90683-003	CLIP, WIRE HARNESS, 25MM	1	1	
F-3-20	51	HZV5-90756-000	DOWEL PIN, 6X10	2	2	
F-3-20	52	HZY3-91451-000	TUBE, WATER JOINT	1	1	
F-3-20	53	HZY6-91553-000	COLLAR, DISTANCE, 6.5X9X5	1	1	XD,XU
F-3-20		HZY3-91552-000	COLLAR, 6.2X10X25.5	1	-	LU
F-3-20	54	HZV5-91563-000	COLLAR, DISTANCE, 6X10.5X25	1	1	





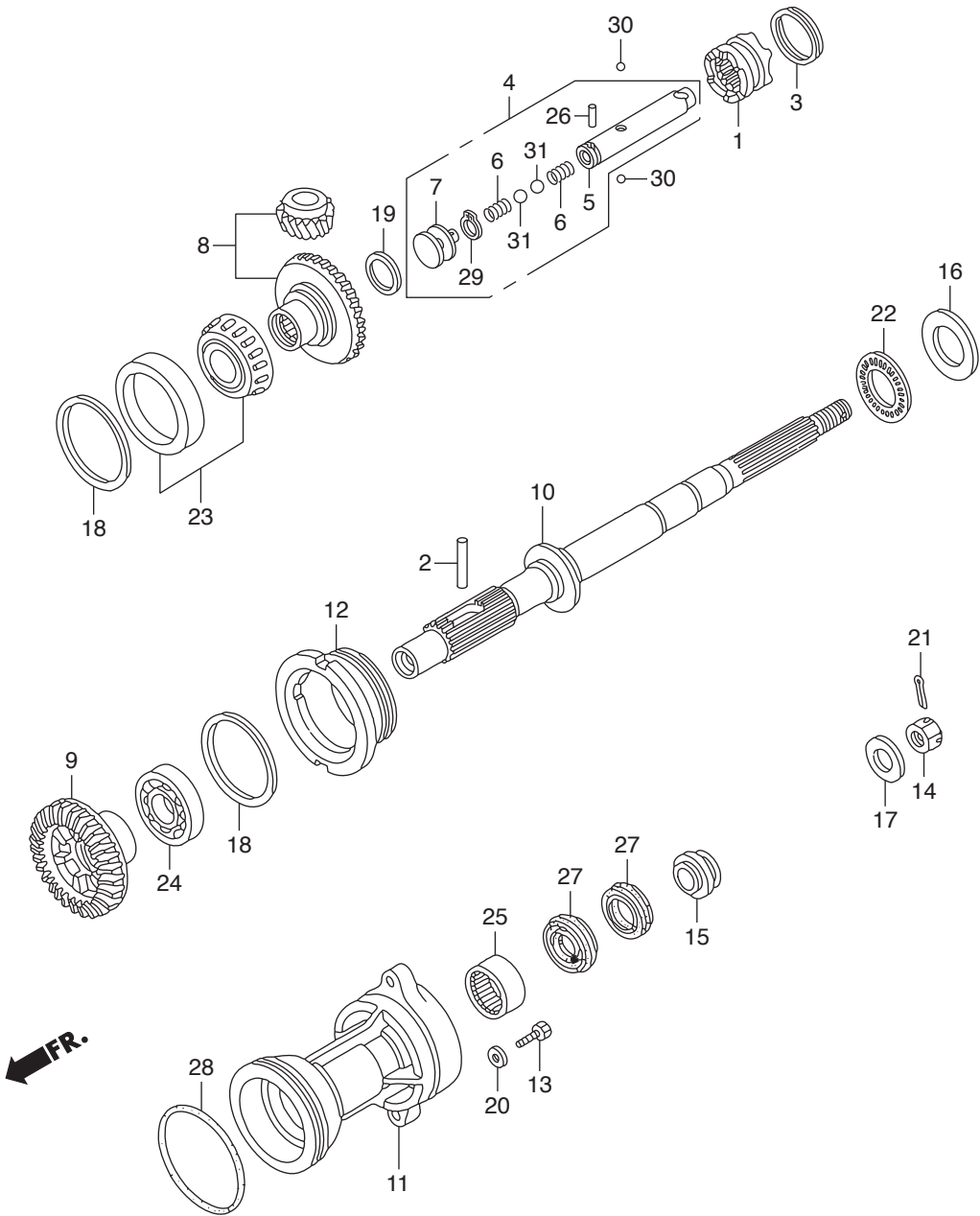


Ref.No.	Part No.	Description	Q' ty		Remarks	
			BFT200A	BFT225A		
F-4	1	HZY3-19210-003	IMPELLER, PUMP	1	1	
F-4	2	HZY3-19221-010	HOUSING, IMPELLER	1	1	
F-4	3	HZY3-19223-000	LINER, PUMP	1	1	
F-4	4	HZY3-19231-000	COVER, IMPELLER	1	1	
F-4	5	HZY3-19234-000	GASKET B, IMPELLER	1	1	
F-4	6	HZY3-19241-000	HOUSING, WATER PUMP	1	1	
F-4	7	HZY3-19251-611	TUBE, WATER(XL)	1	1	XD,XU
F-4		HZY3-19251-000	TUBE, WATER(L)	1	-	LU
F-4	8	HZY3-19253-000	RING, WATER TUBE SEAL	1	1	
F-4	9	HZY3-24310-C00	ROD COMP., SHIFT	1	1	
F-4	10	HZY3-24318-000	SPRING, SHIFT ROD	1	1	
F-4	11	HZY6-24320-610	ROD COMP. A, SHIFT(XL)	1	1	XD,XU
F-4		HZY6-24320-000	ROD COMP. A, SHIFT(L)	1	-	LU
F-4	12	HZW1-24343-B02	HOLDER, SHIFT ROD	1	1	
F-4	13	HZY3-40204-000	GROMMET, EXTENSION CASE	1	1	
F-4	14	HZY3-41112-611	SHAFT, VERTICAL(XL)	1	1	XD,XU
F-4		HZY3-41112-010	SHAFT, VERTICAL(L)	1	-	LU
F-4	15	HZY3-41116-000	SLINGER, OIL	1	1	
F-4	16	HZX2-90105-C00	BOLT, WASHER, 8X60	4	4	
F-4	17	HHW1-90215-671	BOLT, FLANGE, 6X16	1	1	
F-4	18	HZW1-90242-000	NUT, LOCK, 64MM	1	1	
F-4	19	HZY3-90303-000	NUT, HEX., 18MM	1	1	
F-4	20	H723-90472-000	WASHER, PLAIN, 12MM	1	1	
F-4	21	HZW1-90518-B00	SHIM A, GEAR(0.10)	1	1	
F-4		HZW1-90519-B00	SHIM B, GEAR(0.15)	1	1	
F-4		HZW1-90520-B00	SHIM C, GEAR(0.30)	1	1	
F-4		HZW1-90521-B00	SHIM D, GEAR(0.50)	1	1	
F-4	22	HZY3-90752-003	KEY, WOODRUFF	1	1	
F-4	23	HZV5-90756-000	DOWEL PIN, 6X10	2	2	

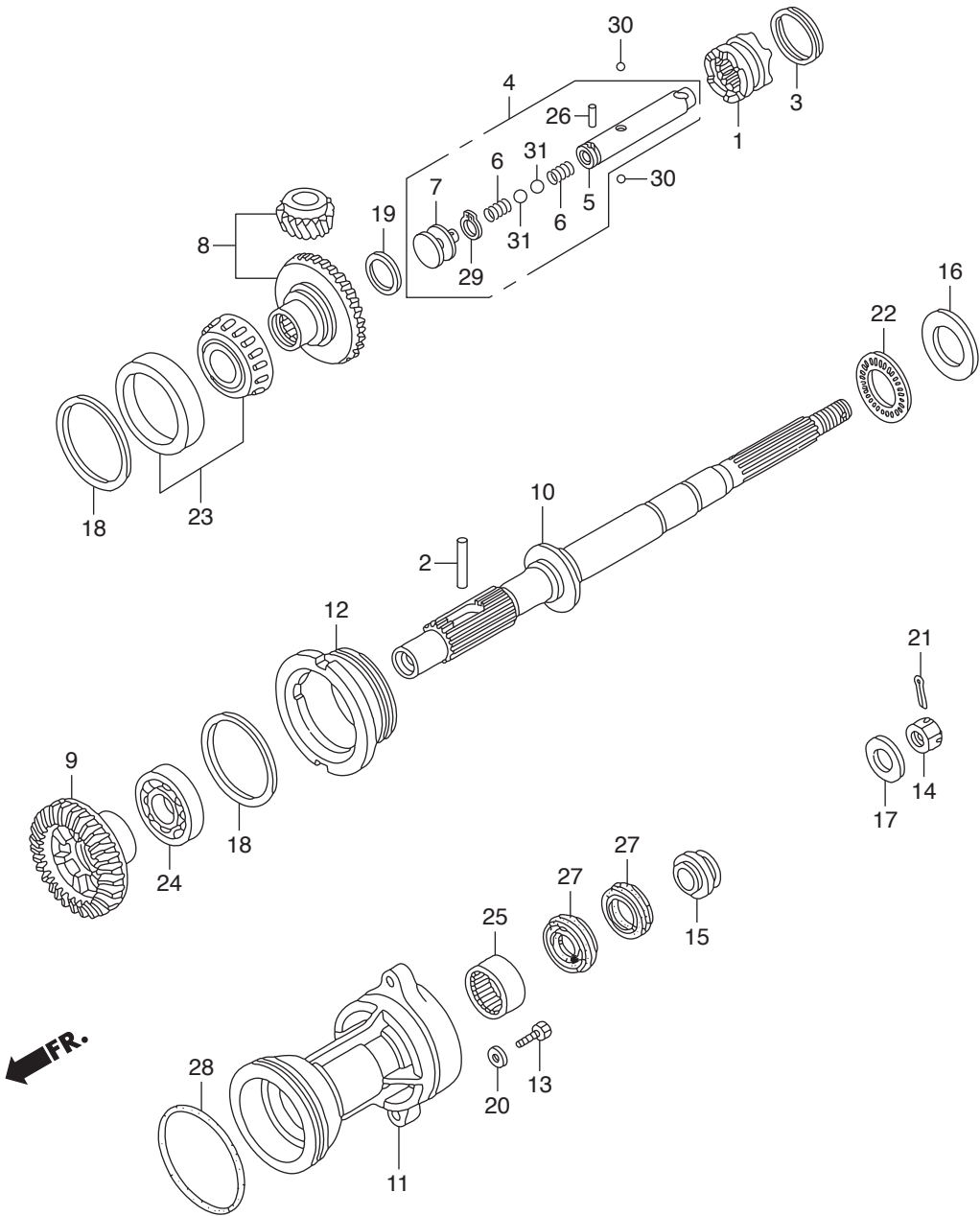




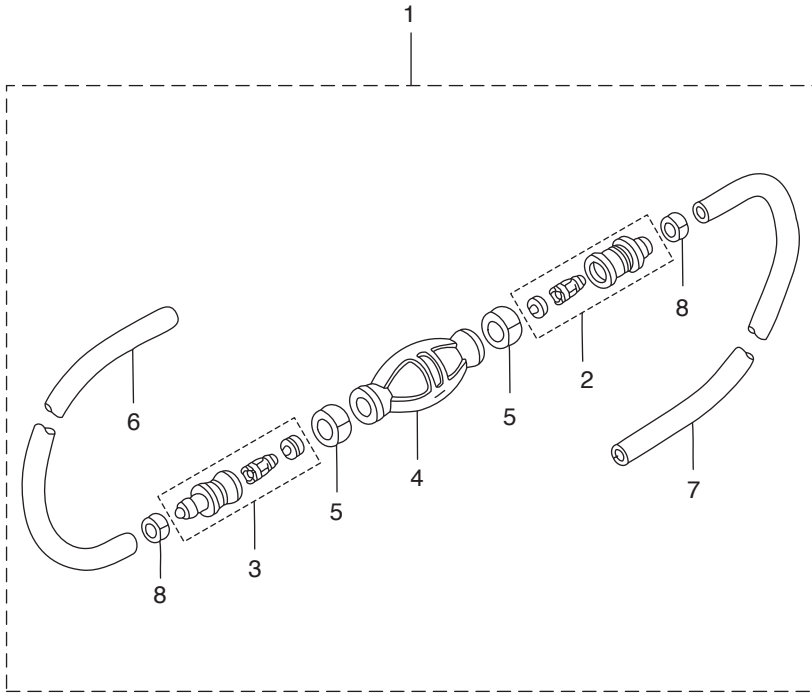
Ref.No.	Part No.	Description	Q' ty		Remarks	
			BFT200A	BFT225A		
F-4	24	HZY3-91053-003	BEARING, NEEDLE, 32X46X37	1	1	
F-4	25	HZW1-91054-B31	BEARING, TAPER ROLLER,	1	1	30X62X40
F-4	26	HZY3-91251-C01	SEAL, WATER, 26X42X7	2	2	
F-4	27	HZY3-91254-003	SEAL, WATER, 12X21X6	2	2	
F-4	28	HMJ0-91308-003	O-RING	1	1	
F-4	29	HZY3-91356-003	O-RING, WATER PUMP	1	1	
F-4	30	HZY3-91358-003	O-RING, WATER PUMP HOUSING	1	1	
F-4	31	HZY3-91359-003	O-RING, 69.1X2.4	1	1	
F-4	32	HZY3-91551-000	COLLAR, DISTANCE	4	4	
F-4	33	HCO-94540-10019	E-RING, 10MM	1	1	



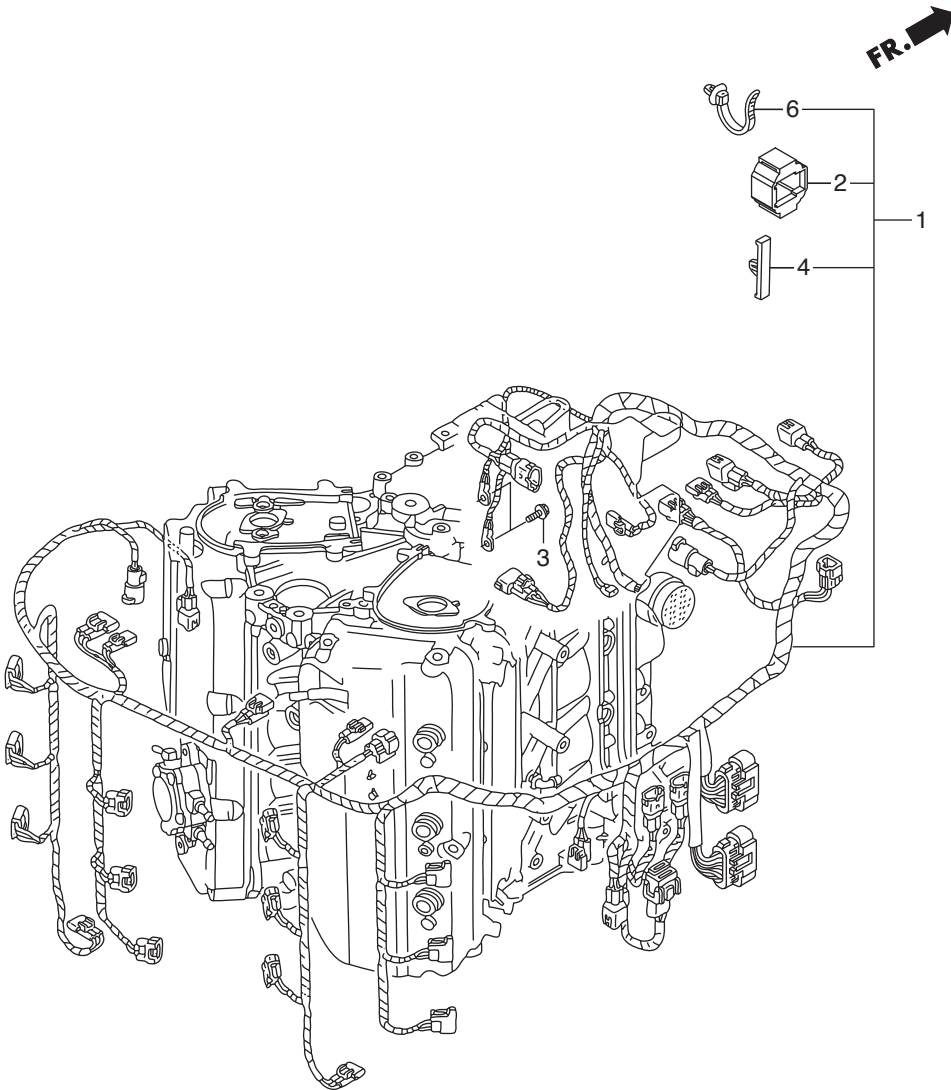
Ref.No.	Part No.	Description	Q' ty		Remarks	
			BFT200A	BFT225A		
F-5	1	HZY3-24101-A01	SHIFTER, CLUTCH	1	1	
F-5	2	HZY3-24102-000	PIN, SHIFTER, 8X50	1	1	
F-5	3	HZY3-24103-000	RING, CROSS PIN	1	1	
F-5	4	HZY3-24113-A01	SLIDER COMP., SHIFT	1	1	
F-5	5	HZY3-24122-A01	SLIDER, SHIFT	1	1	
F-5	6	HZY3-24123-000	SPRING, SHIFT	2	2	
F-5	7	HZY3-24124-310	PLATE, SHIFT	1	1	
F-5	8	HZY3-41130-C00	GEAR SET	1	1	
F-5	9	HZY3-41151-C00	GEAR, BEVEL(RVS. 28T)	1	1	
F-5	10	HZY3-41161-A00	SHAFT, PROPELLER	1	1	
F-5	11	HZY3-41201-C00ZC	HOLDER, PROPELLER SHAFT	1	1	*T107* BAY BLUE
F-5	12	HZY3-41202-000	HOLDER, BEARING	1	1	
F-5	13	HZY3-90123-000	BOLT, HEX., 12X45	2	2	
F-5	14	HZW1-90301-B00	NUT, CASTLE, 18MM	1	1	
F-5	15	HZY3-90506-000	WASHER, PROPELLER THRUST	1	1	
F-5	16	HZW5-90509-711	WASHER, THRUST BEARING	1	1	
F-5	17	HZY3-90512-000	WASHER, PROPELLER	1	1	
F-5	18	HZY3-90528-000	SHIM A, BEVEL(0.10)	2	2	
F-5		HZY3-90529-000	SHIM B, BEVEL(0.15)	2	2	
F-5		HZY3-90530-000	SHIM C, BEVEL(0.30)	2	2	
F-5		HZY3-90531-000	SHIM D, BEVEL(0.50)	2	2	
F-5	19	HZY3-90548-000	SHIM A, THRUST(2.75)	1	1	
F-5		HZY3-90549-000	SHIM B, THRUST(2.80)	1	1	
F-5		HZY3-90550-000	SHIM C, THRUST(2.85)	1	1	
F-5		HZY3-90551-000	SHIM D, THRUST(2.90)	1	1	
F-5		HZY3-90552-000	SHIM E, THRUST(2.95)	1	1	
F-5		HZY3-90553-000	SHIM F, THRUST(3.00)	1	1	
F-5		HZY3-90554-000	SHIM G, THRUST(3.05)	1	1	
F-5		HZY3-90555-000	SHIM H, THRUST(3.10)	1	1	



Ref.No.	Part No.	Description	Q' ty		Remarks	
			BFT200A	BFT225A		
F-5		HZY3-90556-000	SHIM I, THRUST(2.70)	1	1	
F-5		HZY3-90557-000	SHIM J, THRUST(2.65)	1	1	
F-5		HZY3-90558-000	SHIM K, THRUST(2.60)	1	1	
F-5		HZY3-90559-000	SHIM L, THRUST(2.55)	1	1	
F-5		HZY3-90560-000	SHIM M, THRUST(2.50)	1	1	
F-5	20	HZV5-90559-000	WASHER, PLAIN, 12MM	2	2	
F-5	21	HZW1-90758-B00	PIN, SPLIT, 4.0	1	1	
F-5	22	HPT2-91005-N01	BEARING, THRUST(F)	1	1	
F-5	23	HZY3-91051-003	BEARING, TAPER, 50X90X21.5	1	1	
F-5	24	HZY3-91055-003	BEARING, ANGULAR, 50X90X30.2	1	1	
F-5	25	HZY3-91057-003	BEARING, NEEDLE, 32X42X30	1	1	
F-5	26	HZY3-91151-000	ROLLER, 3X13.8	1	1	
F-5	27	HZZ3-91252-003	SEAL, WATER, 30X45X7	2	2	
F-5	28	HZY3-91351-C00	O-RING, 110X3.1	1	1	
F-5	29	HCO-94510-15000	CIRCLIP, EXTERNAL, 15MM	1	1	
F-5	30	HCO-96211-07000	BALL, STEEL, #7(7/32)	2	2	
F-5	31	HCO-96211-12000	BALL, STEEL, #12(3/8)	2	2	

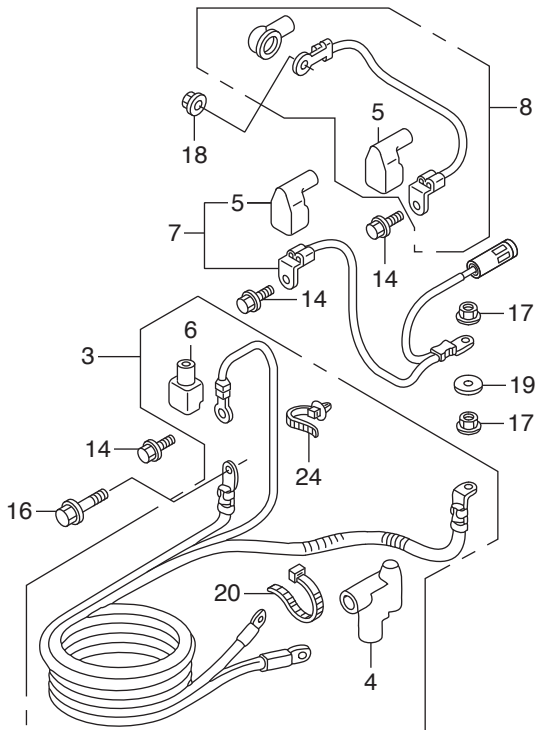
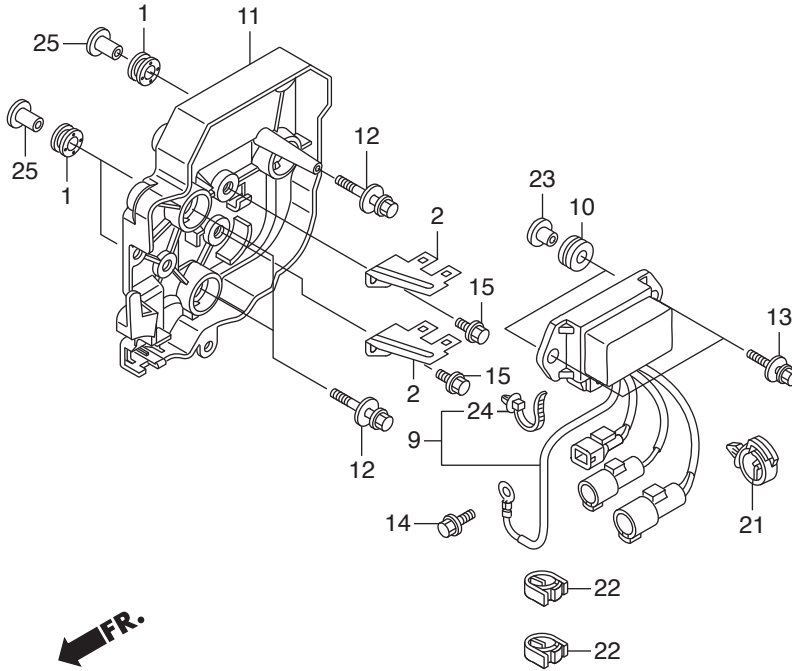


Ref.No.	Part No.	Description	Q'ty		Remarks	
			BFT200A	BFT225A		
F-6	1	3T1-70200-1	PRIMER BULB ASSY	1	1	for EU/EX Model
F-6						
F-6	2	3C7-70220-1	* JOINT ASSY (INLET)	1	1	ALL
F-6	3	3C7-70224-1	* JOINT ASSY (OUTLET)	1	1	ALL
F-6	4	3C7-70211-1	* PRIMER BULB	1	1	for EU/EX Model
F-6						
F-6	5	3C7-70217-0	* CLAMP	2	2	ALL
F-6	6	98AB-70-700	* HOSE	1	1	for EU/EX Model
F-6						
F-6	7	98AB-701600	* HOSE	1	1	for EU/EX Model
F-6						
F-6	8	332-70201-0	* CLAMP	2	2	ALL

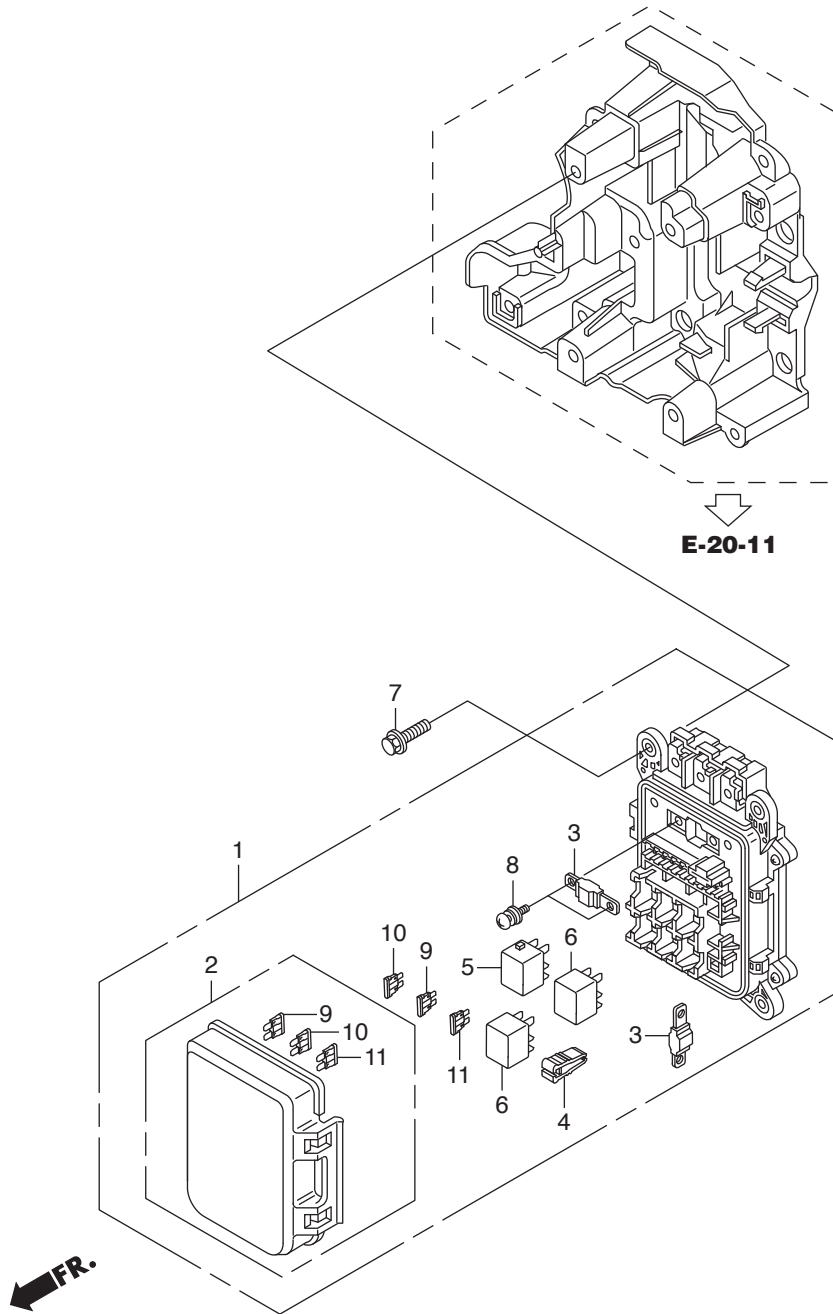




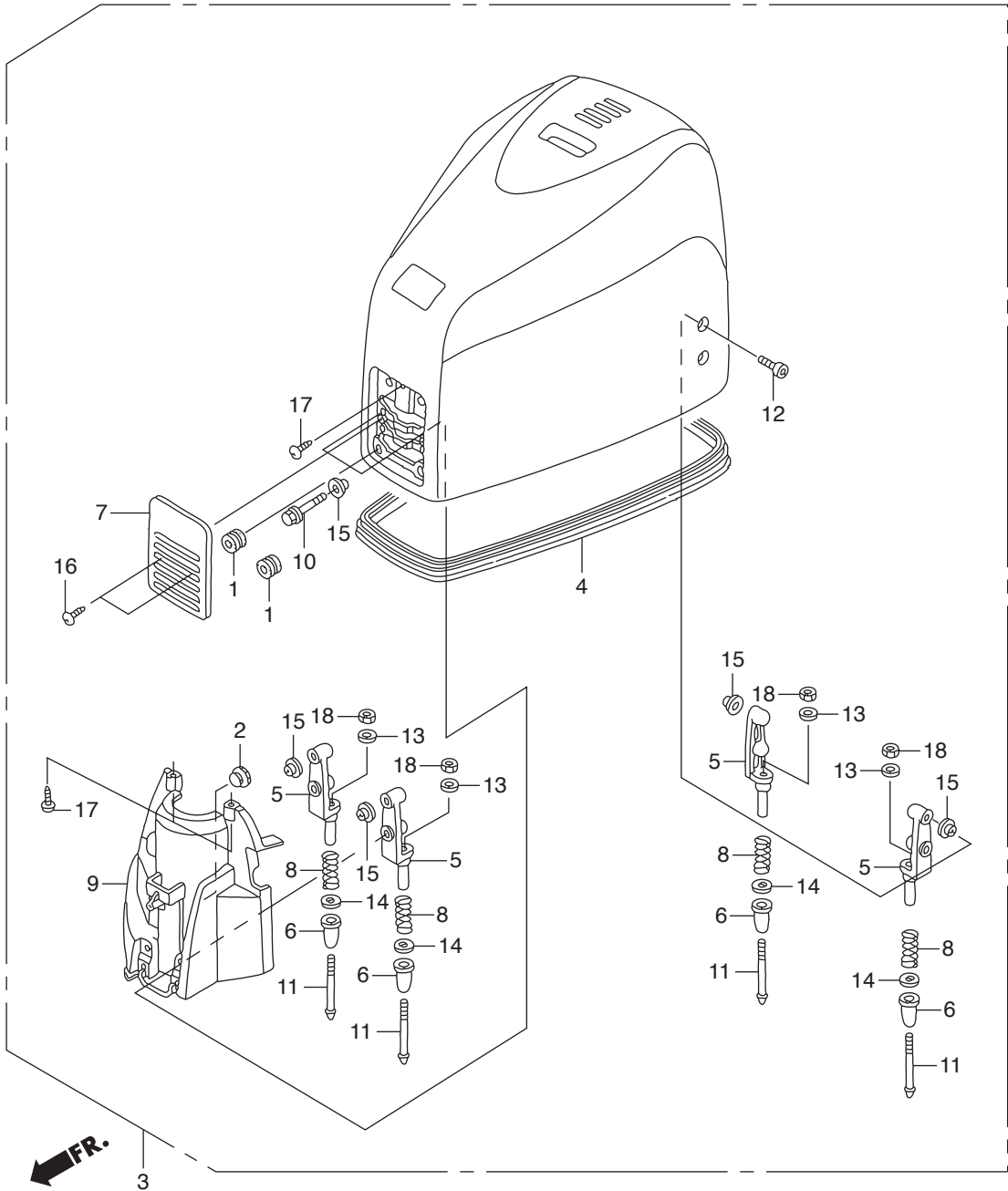




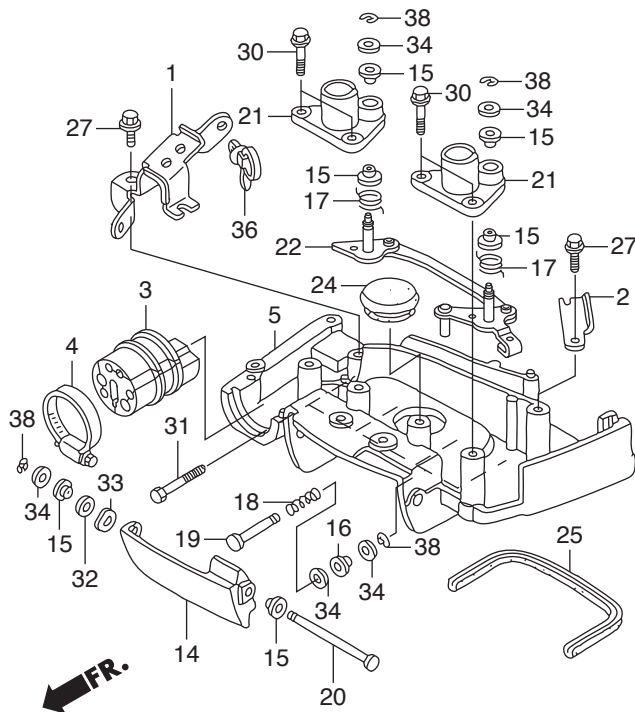
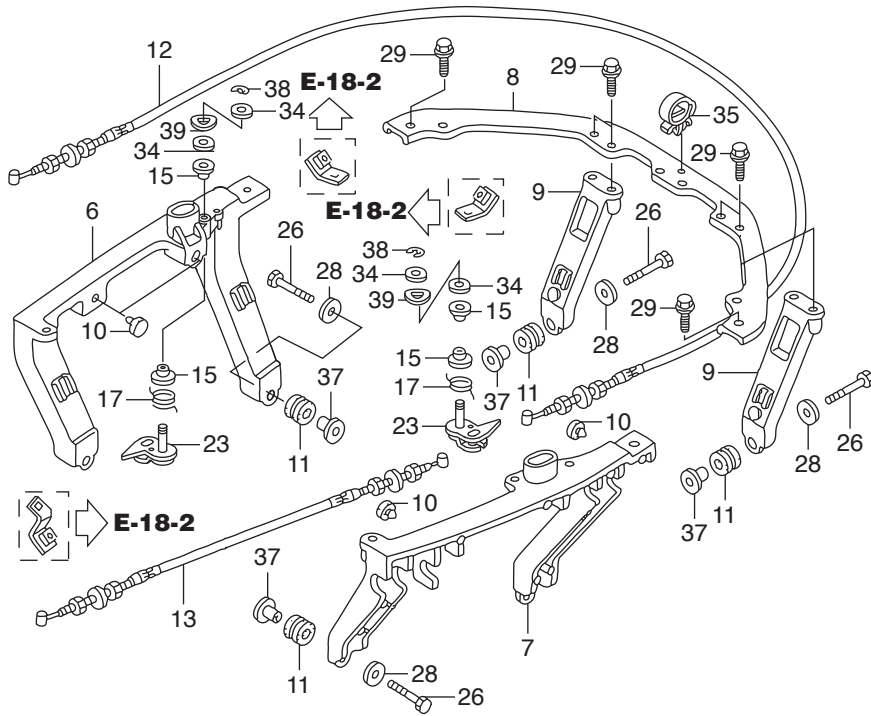
Ref.No.	Part No.	Description	Q' ty		Remarks	
			BFT200A	BFT225A		
F-7-11	1	HZY9-30419-003	GROMMET, ELECTRONIC PARTS CASE	3	3	
F-7-11	2	HZY9-32103-000	BRACKET C, COUPLER	2	2	
F-7-11	3	HZX2-32410-000	CABLE ASSY., STARTER	1	1	
F-7-11	4	HZY3-32411-003	COVER, STARTER TERMINAL	1	1	
F-7-11	5	HZX2-32414-300	COVER B, TERMINAL(L)	2	2	
F-7-11	6	HZY6-32414-640	COVER B, TERMINAL	1	1	
F-7-11	7	HZX2-32415-000	CABLE ASSY., POWER TILT RELAY	1	1	
F-7-11	8	HZX2-32435-000	CORD, A.C. GENERATOR	1	1	
F-7-11	9	HZX2-38550-003	RELAY ASSY., POWER TILT	1	1	
F-7-11	10	HZW1-38551-000	GROMMET, RELAY	2	2	
F-7-11	11	HZX2-38552-000	CASE, POWER TILT RELAY	1	1	
F-7-11	12	HZW2-90003-000	BOLT-WASHER, 6X27(CT200)	3	3	
F-7-11	13	HZW1-90013-000	BOLT-WASHER, 6X25	2	2	
F-7-11	14	HZW9-90013-000	BOLT, FLANGE, 6X12	4	4	
F-7-11	15	HZW9-90014-000	BOLT, FLANGE, 6X10	2	2	
F-7-11	16	HZY3-90107-000	BOLT, FLANGE, 8X18	1	1	
F-7-11	17	HZW1-90203-000	NUT-WASHER, 8MM	2	2	
F-7-11	18	HZY3-90304-000	NUT-WASHER, 6MM	1	1	
F-7-11	19	HZY3-90405-000	WASHER, PLAIN, 8MM	1	1	
F-7-11	20	HSB2-90620-003	BAND, WIRE HARNESS	1	1	
F-7-11	21	H763-90681-A01	CLIP, WIRE HARNESS	1	1	
F-7-11	22	HZX2-90683-003	CLIP, WIRE HARNESS	2	2	
F-7-11	23	HZZ5-91501-000	COLLAR, MOUNTING(6MM)	2	2	
F-7-11	24	HS0A-91541-003	CLIP, HARNESS BAND(BLACK)	4	4	(145MM)
F-7-11	25	HZV5-91553-010	COLLAR, C.D.I. UNIT CASE	3	3	



Ref.No.	Part No.	Description	Q'ty		Remarks	
			BFT200A	BFT225A		
F-7-30	1	HZY3-32370-H01	BOX ASSY., JUNCTION	1	1	
F-7-30	2	HZY3-32371-H01	COVER COMP., FUSE	1	1	
F-7-30	3	HZX2-38228-003	FUSE, BLOCK(150A)	2	2	
F-7-30	4	HZY6-38235-004	PULLER, MINI FUSE	1	1	
F-7-30	5	HSDA-39794-004	RELAY ASSY., FUEL PUMP(DENSO)	1	1	
F-7-30	6	HZY6-39794-003	RELAY ASSY., POWER(12V-20A)	2	2	(MICRO ISO 4P)
F-7-30	7	HZW5-90018-000	BOLT, FLANGE, 6X20	4	4	
F-7-30	8	HZY6-90135-004	SCREW-WASHER, 5X15	2	2	
F-7-30	9	HCO-98200-41000	FUSE, MINI(10A)	5	5	
F-7-30	10	HCO-98200-41500	FUSE, MINI(15A)	6	6	
F-7-30	11	HCO-98200-43000	FUSE, MINI(30A)	3	3	

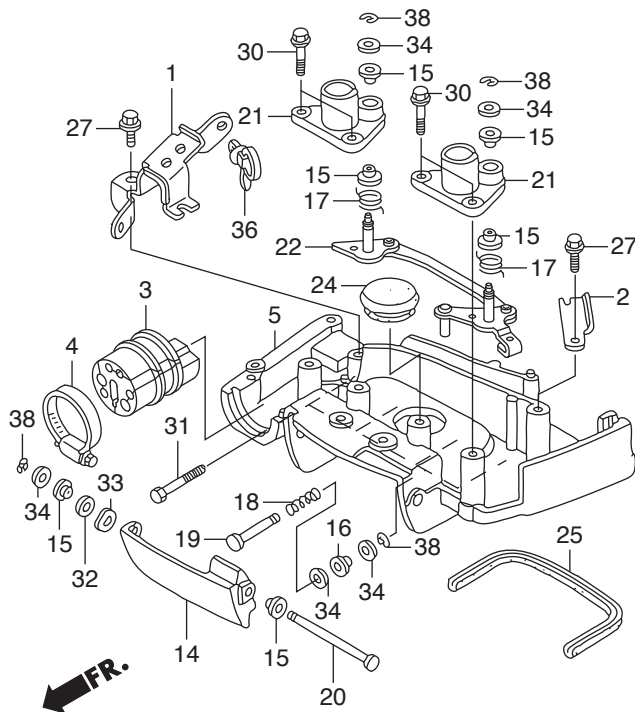
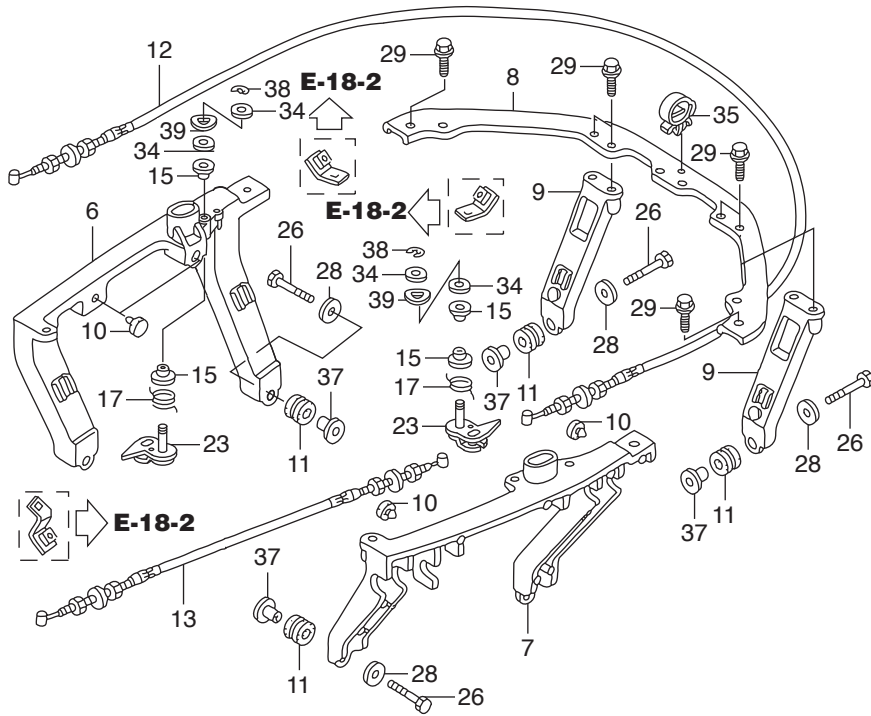


Ref.No.	Part No.	Description	Q' ty		Remarks	
			BFT200A	BFT225A		
F-8	1	HKE8-17251-690	GROMMET, AIR CLEANER CASE	4	4	
F-8	2	HCO-95551-20000	PLUG, BLIND, 20MM	1	1	
F-8	3	HZY2-63100-R00ZA	COVER ASSY., ENGINE	1	1	*T107* BAY BLUE
F-8	4	HZY3-63102-010	SEAL, ENGINE COVER	1	1	
F-8	5	HZY3-63107-000	BRACKET, HOOK	4	4	
F-8	6	HZY3-63108-000	DAMPER, HOOK	4	4	
F-8	7	HZY3-63111-310ZD	COVER, FR.	1	1	*T107* BAY BLUE
F-8	8	HZX2-63119-C00	SPRING, LOCK ADJUSTER	4	4	
F-8	9	HZY3-63143-H00	DUCT, ENGINE COVER	1	1	
F-8	10	HZW9-90105-000	BOLT, FLANGE, 6X20	4	4	
F-8	11	HZY3-90109-010	BOLT, COVER LOCK	4	4	
F-8	12	HZX1-90133-R00	BOLT, SOCKET, 6X16	4	4	
F-8	13	H921-90504-010	WASHER, PLAIN, 6MM	4	4	
F-8	14	HZY3-90507-000	WASHER, PLAIN, 12MM	4	4	
F-8	15	HZY3-91556-000	COLLAR, DISTANCE, 6.5X9X3	12	12	
F-8	16	HCO-93911-141J0	SCREW, TAPPING, 4X10	2	2	
F-8	17	HCO-93913-141J0	SCREW, TAPPING, 4X10	3	3	
F-8	18	HCO-94002-06490-0S	NUT, HEX., 6MM	4	4	



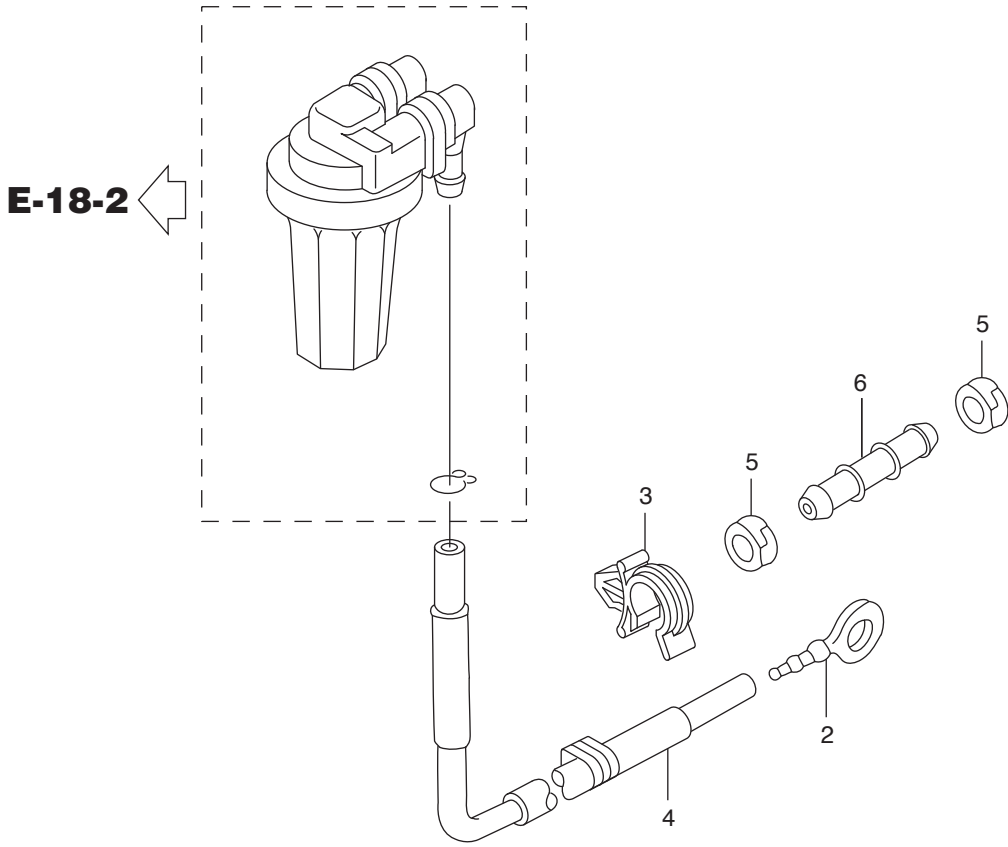


Ref.No.	Part No.	Description	Q' ty		Remarks	
			BFT200A	BFT225A		
F-8-10	1	HZY3-32419-A00	BRACKET, CABLE	1	1	
F-8-10	2	HZY3-32421-000	PLATE, STARTER CABLE	1	1	
F-8-10	3	HZY3-40105-C01	GROMMET A, UNDER CASE	1	1	
F-8-10	4	HZY3-40119-003	BAND, UNDER CASE GROMMET	1	1	
F-8-10	5	HZY3-40154-000ZA	BRACKET, FR. COVER	1	1	*NH8* DARK GRAY
F-8-10	6	HZY3-40155-000	BRACKET, R. SIDE COVER	1	1	
F-8-10	7	HZY3-40157-000	BRACKET, L. SIDE COVER	1	1	
F-8-10	8	HZY3-40158-000	BRACKET A, RR. COVER	1	1	
F-8-10	9	HZY3-40159-000	BRACKET B, RR. COVER	2	2	
F-8-10	10	H196-47117-000	RUBBER, STOPPER	4	4	
F-8-10	11	H121-51640-730	RUBBER, FR. CARRIER CUSHION	6	6	
F-8-10	12	HZY3-60180-C01	CABLE COMP. A, COVER LOCK	1	1	
F-8-10	13	HZY3-60185-C01	CABLE COMP. B, COVER LOCK	1	1	
F-8-10	14	HZY3-63201-000ZC	LEVER, COVER LOCK	1	1	*T107* BAY BLUE
F-8-10	15	HZY3-63205-000	BUSH A, COVER LOCK	10	10	
F-8-10	16	HZY3-63208-000	BUSH B, COVER LOCK	1	1	
F-8-10	17	HZY3-63212-000	SPRING, COVER LOCK HOOK	4	4	
F-8-10	18	HZY3-63223-000	SPRING, LOCK LEVER RETURN	1	1	
F-8-10	19	HZY3-63224-000	SHAFT, COVER OPEN	1	1	
F-8-10	20	HZY3-63225-000	SHAFT, FR. LOCK	1	1	
F-8-10	21	HZY3-63226-000	HOLDER, STRIKER	2	2	
F-8-10	22	HZY3-63230-C00	LOCK ASSY., FR.	1	1	
F-8-10	23	HZX2-63260-C00	LOCK COMP., SIDE	2	2	
F-8-10	24	HZC0-63515-700	CAP, L. SIDE COVER	1	1	
F-8-10	25	HZY3-63729-003	SEAL D, UNDER COVER	1	1	
F-8-10	26	HZV5-90009-000	BOLT, HEX., 8X35	6	6	
F-8-10	27	HZY3-90021-000	BOLT, FLANGE, 6X14	2	2	
F-8-10	28	HML0-90101-720	WASHER, PLAIN, 8MM	6	6	
F-8-10	29	HZW9-90102-000	BOLT, FLANGE, 6X12	6	6	

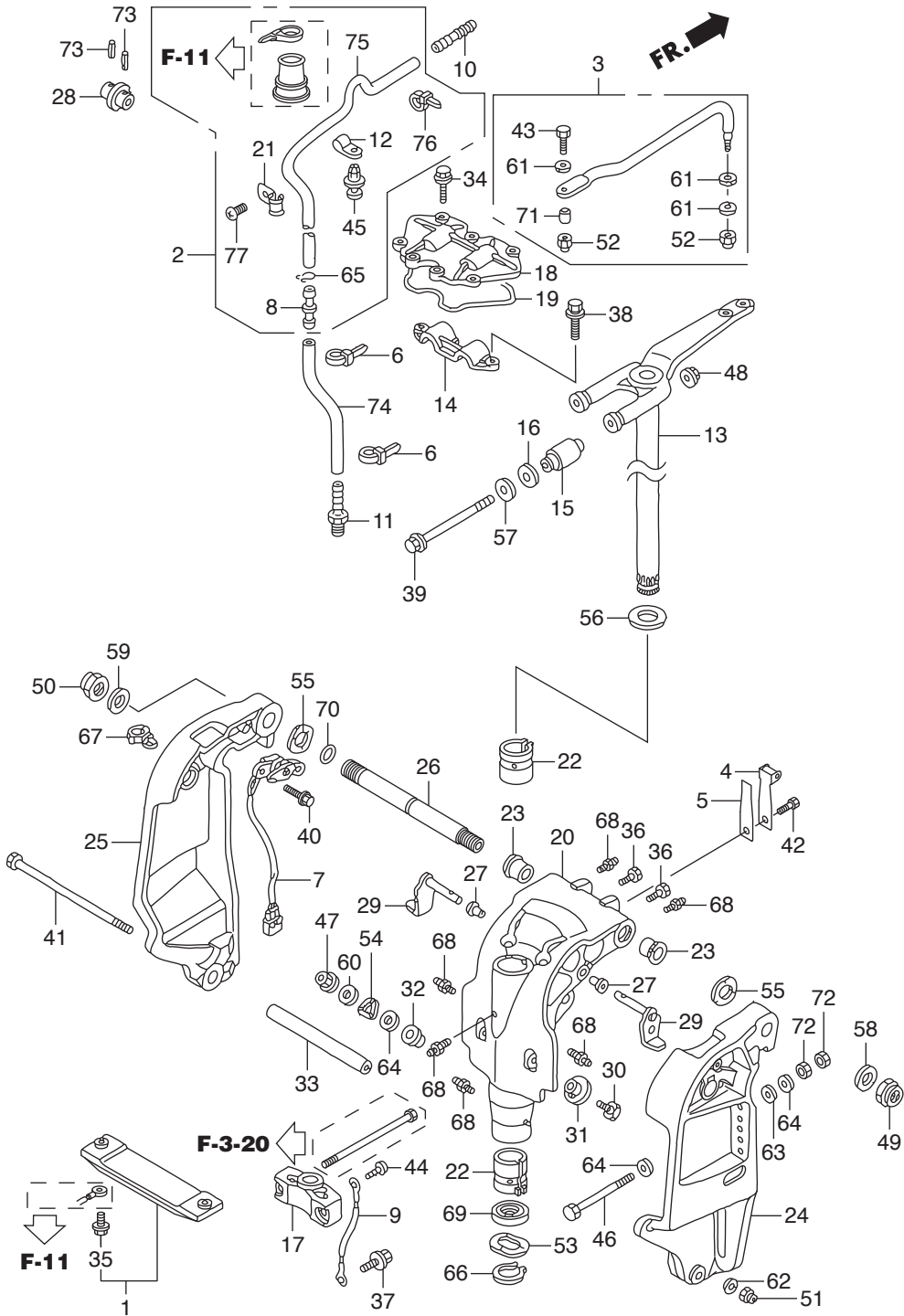


Ref.No.	Part No.	Description	Q' ty		Remarks	
			BFT200A	BFT225A		
F-8-10	30	HZW9-90105-000	BOLT, FLANGE, 6X20	4	4	
F-8-10	31	HZY3-90106-A00	BOLT, FLANGE, 8X22	4	4	
F-8-10	32	HMM8-90502-610	WASHER, PLAIN, 10MM	1	1	
F-8-10	33	HZW9-90506-000	WASHER, WAVE, 10MM	1	1	
F-8-10	34	H921-90518-000	WASHER, PLAIN, 8MM	9	9	
F-8-10	35	HZA0-90684-601	CLIP, HARNESS	1	1	
F-8-10	36	HS0A-91541-003	CLIP, HARNESS BAND(BLACK)	1	1	(145MM)
F-8-10	37	HZW1-91554-000	COLLAR, 8.5X14.5	6	6	
F-8-10	38	HCO-94540-06029	E-RING, 6MM	6	6	
F-8-10	39	HZX2-90502-003	WASHER, WAVE, 8MM	2	2	

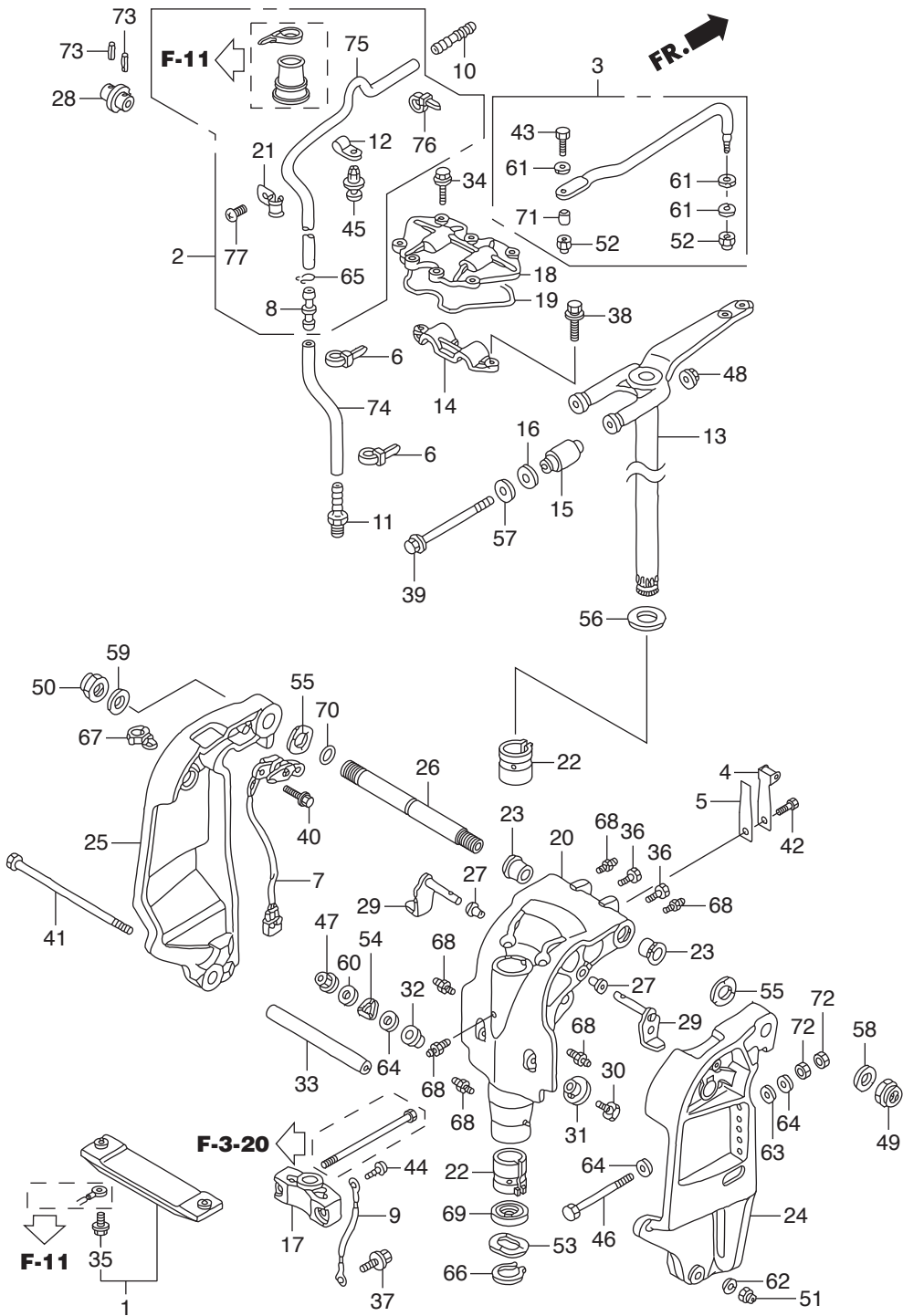
**FR.** 





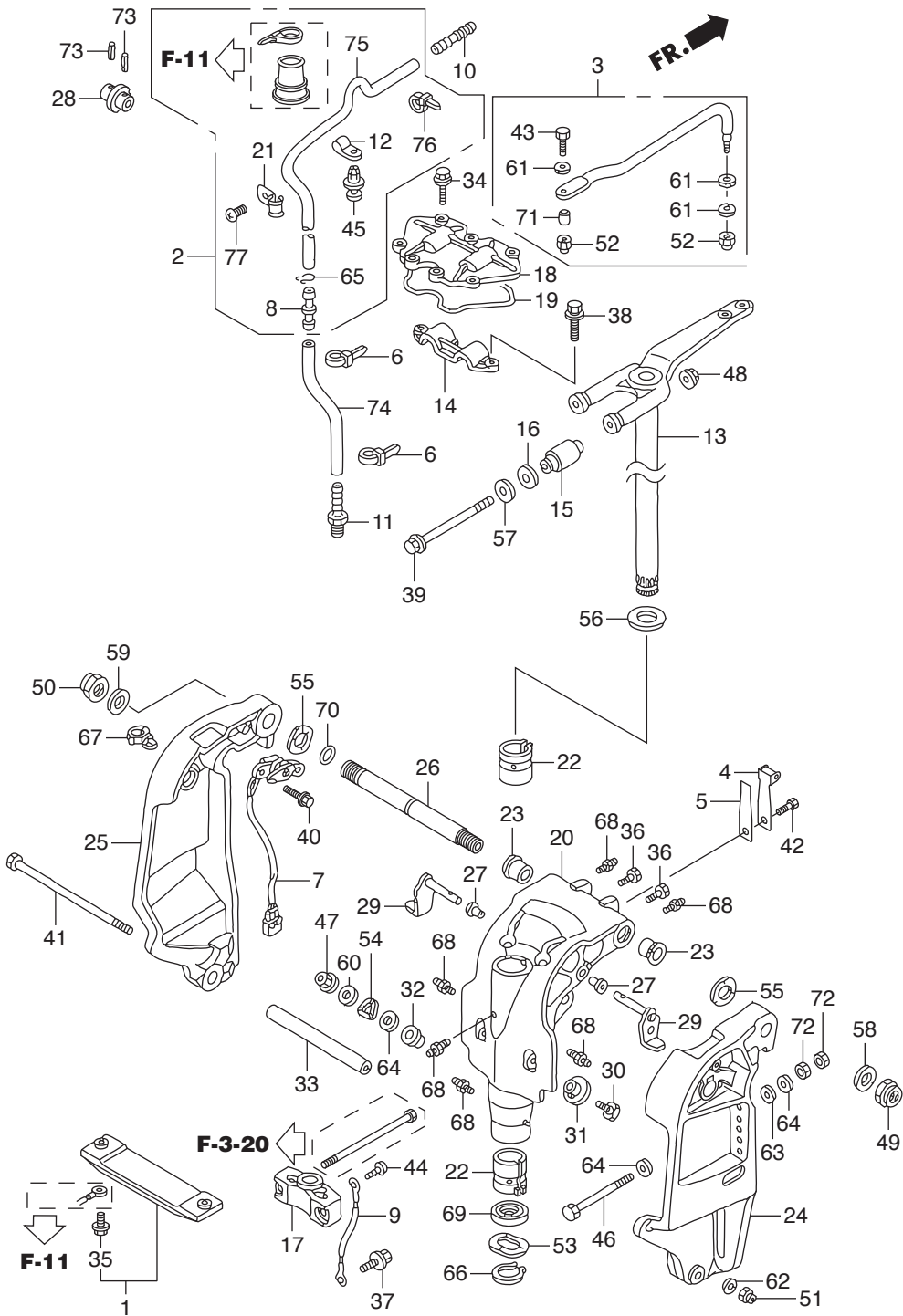


Ref.No.	Part No.	Description	Q' ty		Remarks	
			BFT200A	BFT225A		
F-10	1	HZW1-06411-020	METAL KIT, ANODE	1	1	
F-10	2	HZY3-06412-000	TUBE KIT, SPEED SENSOR	1	1	
F-10	3	HZY3-06532-U00	ROD KIT, STEERING	1	1	
F-10	4	HZV1-24210-010	SPRING COMP., CLICK	1	1	
F-10	5	HZV4-24221-010	SPRING, CLICK ASSIST	1	1	
F-10	6	HKM3-32161-003	BAND, WIRE	2	2	
F-10	7	HZY3-35660-003	SENSOR ASSY., TRIM ANGLE	1	1	
F-10	8	H663-38562-920	JOINT B, WASHER TUBE(MITSUBA)	1	1	
F-10	9	HZY3-40219-013	WIRE, LEAD(1.5X116MM)	1	1	
F-10	10	HZV5-41171-000	END, NIPPLE	1	1	
F-10	11	HZV5-41172-000	NIPPLE, SENSOR	1	1	
F-10	12	HZY3-41179-A00	CLAMPER, SENSOR TUBE	2	2	
F-10	13	HZY3-50100-A11	FRAME COMP., MOUNTING(XL)	1	1	XD,XU
F-10		HZY3-50100-A01	FRAME COMP., MOUNTING(L)	1	-	LU
F-10	14	HZY3-50109-000	HOUSING, UPPER MOUNTING	1	1	
F-10	15	HZY3-50151-000	MOUNT COMP., UPPER RUBBER	2	2	
F-10	16	HZY3-50153-000	RUBBER, UPPER MOUNT STOPPER	2	2	
F-10	17	HZY3-50161-610	HOUSING, LOWER CENTER MOUNTING	1	1	(XL) XD,XU
F-10		HZY3-50161-000ZD	HOUSING, LOWER CENTER MOUNTING	1	-	*T107* BAY BLUE LU
F-10	18	HZY3-50166-000	COVER, UPPER MOUNT	1	1	
F-10	19	HZY3-50168-000	SEAL, UPPER MOUNT COVER	1	1	
F-10	20	HZY3-50201-C11ZC	CASE, SWIVEL	1	1	*T107* BAY BLUE XD,XU
F-10		HZY3-50201-C01ZD	CASE, SWIVEL	1	-	*T107* BAY BLUE LU
F-10	21	HZY3-50209-A00	CLAMP, TUBE	2	2	
F-10	22	HZY3-50211-000	LINER, SWIVEL CASE	2	2	
F-10	23	HZY3-50214-000	BUSH, SWIVEL CASE	2	2	
F-10	24	HZY3-50301-030ZC	BRACKET, R. STERN	1	1	*T107* BAY BLUE
F-10	25	HZY3-50311-020ZC	BRACKET, L. STERN	1	1	*T107* BAY BLUE
F-10	26	HZY3-50381-000	SHAFT, TILTING	1	1	

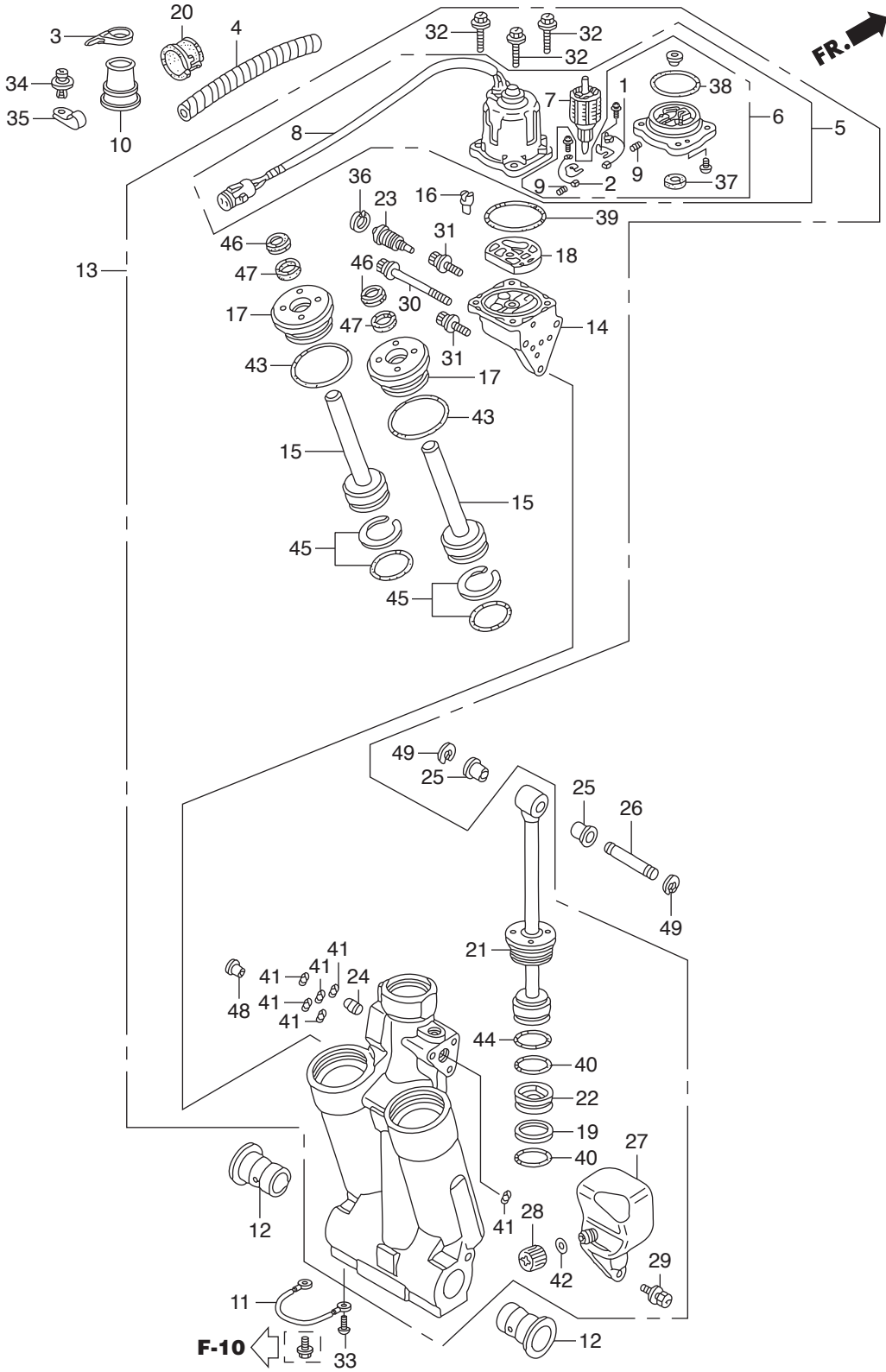




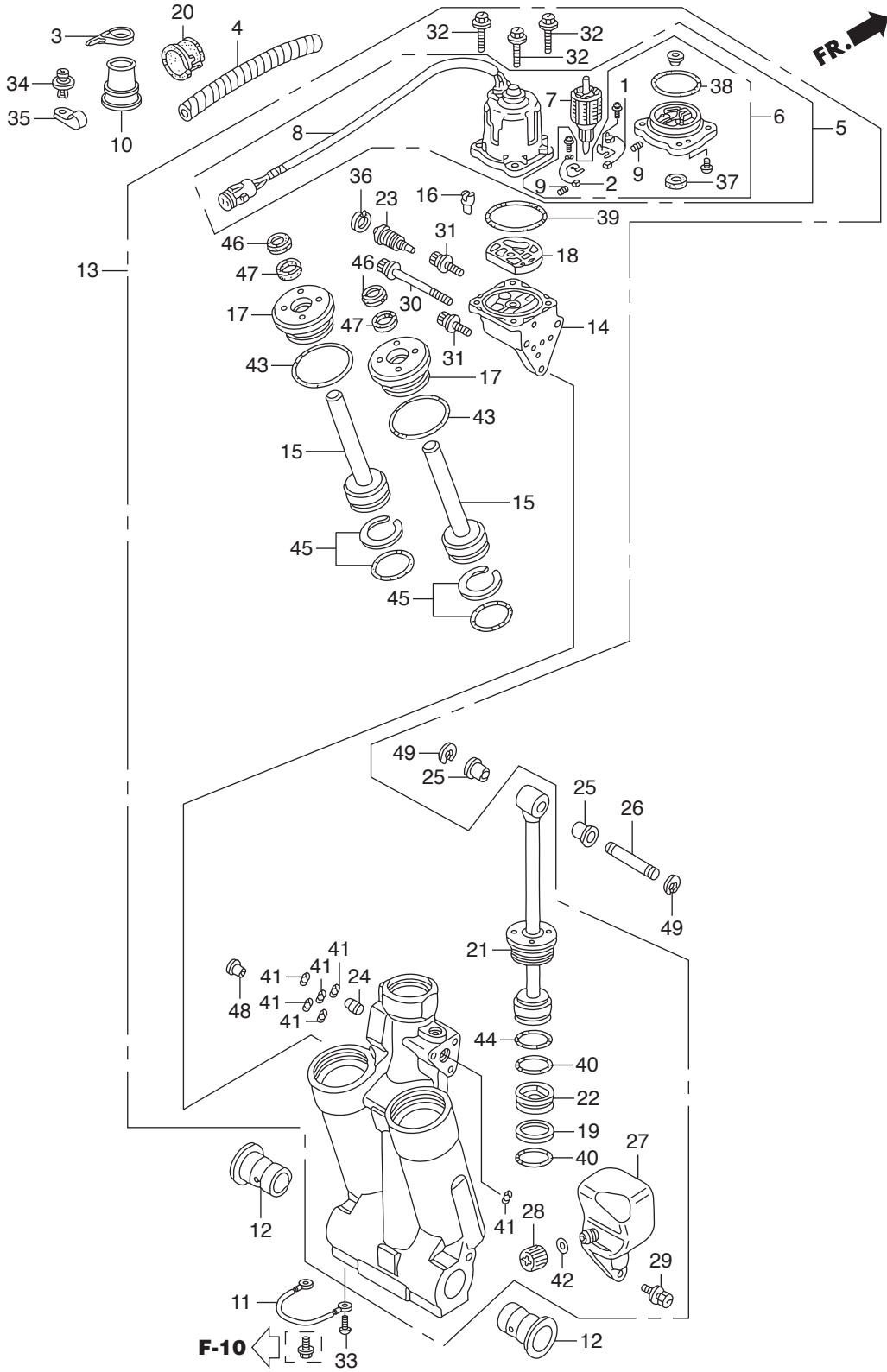
Ref.No.	Part No.	Description	Q' ty		Remarks	
			BFT200A	BFT225A		
F-10	27	HZY3-50522-000	BUSH, TILT ARM	2	2	
F-10	28	HZY3-50527-000	BRACKET, TILTING	1	1	
F-10	29	HZY3-50529-000	STOPPER, TILT	2	2	
F-10	30	HZY3-56516-A00	RECEIVER, THRUST	2	2	
F-10	31	HZY3-56518-A00	BUSH A, THRUST RECEIVE	2	2	
F-10	32	HZY3-56519-A00	BUSH B, THRUST RECEIVE	2	2	
F-10	33	HZW1-56539-000	COLLAR, LOWER CYLINDER	1	1	
F-10	34	HZW9-90005-000	BOLT, FLANGE, 6X20	7	7	
F-10	35	HZW9-90009-000	BOLT, FLANGE, 6X23	2	2	
F-10	36	HZW1-90102-000	BOLT, 1/4-28UNF	2	2	
F-10	37	HZW9-90103-010	BOLT, FLANGE, 6X12	1	1	
F-10	38	HZY6-90103-000	BOLT-WASHER, 10X32	3	3	
F-10	39	HZY3-90104-010	BOLT, HEX., 12X200	2	2	
F-10	40	HZW9-90105-000	BOLT, FLANGE, 6X20	2	2	
F-10	41	HZW1-90108-000	BOLT, HEX., 10X235	1	1	
F-10	42	H881-90110-000	BOLT, HEX., 6X14	1	1	
F-10	43	HZY3-90117-000	BOLT, 3/8-24UNF	1	1	
F-10	44	HZV5-90119-000	SCREW, PAN, 6X8	1	1	
F-10	45	HZV5-90127-003	SCREW, RIVET, 5X10	2	2	
F-10	46	HZX2-90129-000	BOLT, HEX., 12X130	6	6	
F-10	47	HZY1-90205-000	NUT, SELF-LOCK, 6MM	2	2	
F-10	48	HZW5-90302-003	NUT, FLANGE, 12MM	2	2	
F-10	49	HZV5-90304-013	NUT, SELF-LOCK(7/8-14UNF)	1	1	
F-10	50	HZW1-90304-013	NUT, SELF-LOCK(25X2.0)	1	1	
F-10	51	HZW4-90306-003	NUT, FLANGE, 10MM	1	1	
F-10	52	HZV5-90307-003	NUT, SELF-LOCK(3/8-24UNF)	2	2	
F-10	53	HZV5-90501-000	WASHER, WAVE, 40MM	1	1	
F-10	54	HZY3-90501-A00	WASHER, WAVE, 12MM	2	2	
F-10	55	HZV5-90502-000	WASHER, WAVE, 26MM	2	2	



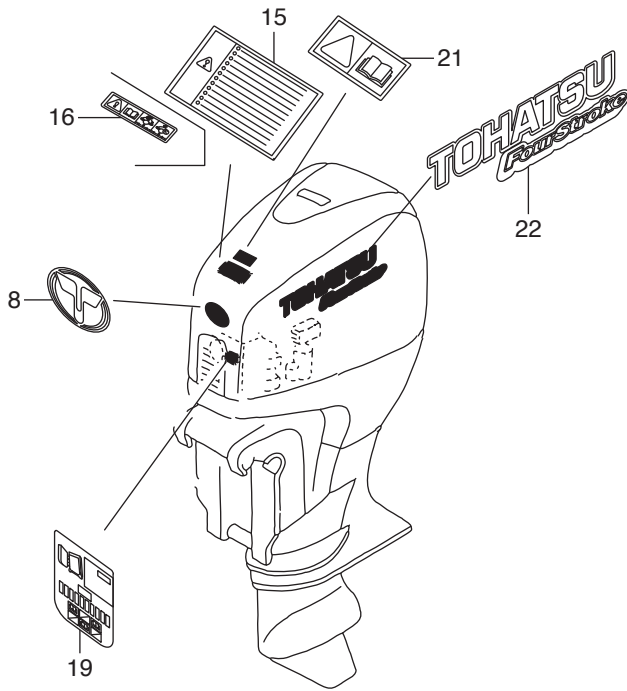
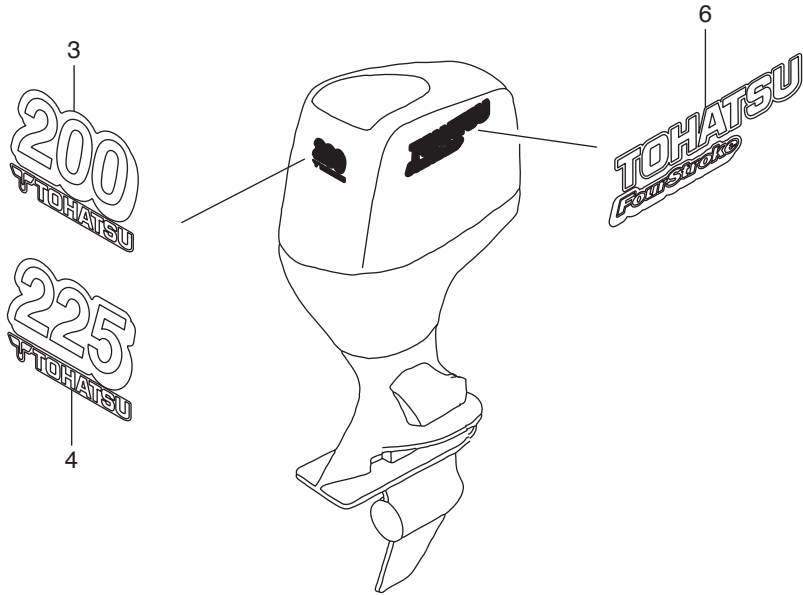
Ref.No.	Part No.	Description	Q' ty		Remarks	
			BFT200A	BFT225A		
F-10	56	HZV5-90504-000	WASHER, THRUST, 34MM	1	1	
F-10	57	HZY3-90504-A00	WASHER, UPPER MOUNTING STOPPER	2	2	
F-10	58	HZY3-90509-000	WASHER, 7/8INCH	1	1	
F-10	59	HZY3-90510-000	WASHER, 25MM	1	1	
F-10	60	HZV4-90512-000	WASHER, PLAIN, 6MM	2	2	
F-10	61	HZV4-90514-000	WASHER, 10MM	3	3	
F-10	62	H921-90511-000	WASHER, PLAIN, 10MM	1	1	
F-10	63	HZV5-90552-000	WASHER, PLAIN, 12MM	6	6	
F-10	64	HZV5-90559-000	WASHER, PLAIN, 12MM	14	14	
F-10	65	H921-90602-000	CLIP, TUBE(B8)	1	1	
F-10	66	HZV5-90651-000	CIRCLIP, EXTERNAL, 39MM	1	1	
F-10	67	H763-90681-A01	CLIP, WIRE HARNESS	1	1	
F-10	68	HZV7-90951-010	NIPPLE, GREASE	6	6	
F-10	69	HZV5-91256-003	OIL SEAL, 39.5X52X6(ARAI)	1	1	
F-10	70	HZV5-91352-000	O-RING, 15.54X2.26	1	1	
F-10	71	HZY3-91560-000	COLLAR, STEERING ROD	1	1	
F-10	72	HCO-94001-12490-0S	NUT, HEX., 12MM	12	12	
F-10	73	HCO-94305-30203	PIN, SPRING, 3X20	2	2	
F-10	74	HCO-95005-5020030	TUBE, 5X200(95005-50001-30M)	1	1	(HC-95005-50001-30M)
F-10	75	HCO-95005-5095030	TUBE, 5X950(95005-50001-30M)	1	1	(HC-95005-50001-30M)
F-10	76	HKM3-32161-003	BAND, WIRE	1	1	
F-10	77	HZV5-90119-000	SCREW, PAN, 6X8	2	2	



Ref.No.	Part No.	Description	Q' ty		Remarks	
			BFT200A	BFT225A		
F-11	1	HZY3-30280-003	BREAKER ASSY.	1	1	
F-11	2	HZY3-31106-003	BRUSH ASSY.	1	1	
F-11	3	HMG9-35701-950	BAND(BLACK 3.5X140)	1	1	
F-11	4	HZW1-36104-003	TUBE, SPIRAL(12X14.6)	1	1	
F-11	5	HZX2-36120-003	MOTOR ASSY., POWER TILT	1	1	
F-11	6	HZY3-36122-013	BRACKET ASSY.	1	1	
F-11	7	HZY3-36123-013	ARMATURE COMP.	1	1	
F-11	8	HZX2-36129-003	YOKE ASSY.	1	1	
F-11	9	HZV5-36136-821	SPRING, MOTOR	2	2	
F-11	10	HZW1-40107-700	GROMMET, UNDER CASE(C)	3	3	
F-11	11	HZY3-40219-013	WIRE, LEAD(1.5X116MM)	1	1	
F-11	12	HZV5-50214-003	BUSH, SWIVEL CASE	2	2	
F-11	13	HZX2-56000-013	TRIM-TILT ASSY., POWER	1	1	
F-11	14	HZY3-56100-013	PUMP ASSY.	1	1	
F-11	15	HZW1-56110-701	ROD COMP., PISTON(B)	2	2	
F-11	16	HZW1-56113-701	JOINT, DRIVE	1	1	
F-11	17	HZY9-56115-003	GUIDE COMP., ROD	2	2	
F-11	18	HZW1-56116-701	FILTER B	1	1	
F-11	19	HZV5-56117-821	RING, BACK UP	1	1	
F-11	20	HZV5-56118-820	BUSH, MOTOR CODE	1	1	
F-11	21	HZY3-56120-013	ROD COMP., PISTON	1	1	
F-11	22	HZW1-56130-702	PISTON COMP., FREE	1	1	
F-11	23	HZY3-56170-013	VALVE COMP., MANUAL	1	1	
F-11	24	HZW1-56180-701	VALVE COMP., RESERVOIR	1	1	
F-11	25	HZV5-56513-000	BUSH, LOWER CYLINDER	2	2	
F-11	26	HZY3-56532-000	PIN, UPPER CYLINDER	1	1	
F-11	27	HZW1-56851-703	TANK, OIL	1	1	
F-11	28	HZW1-56860-701	CAP COMP., OIL TANK	1	1	
F-11	29	HZW1-90113-702	BOLT, RECESSED	3	3	

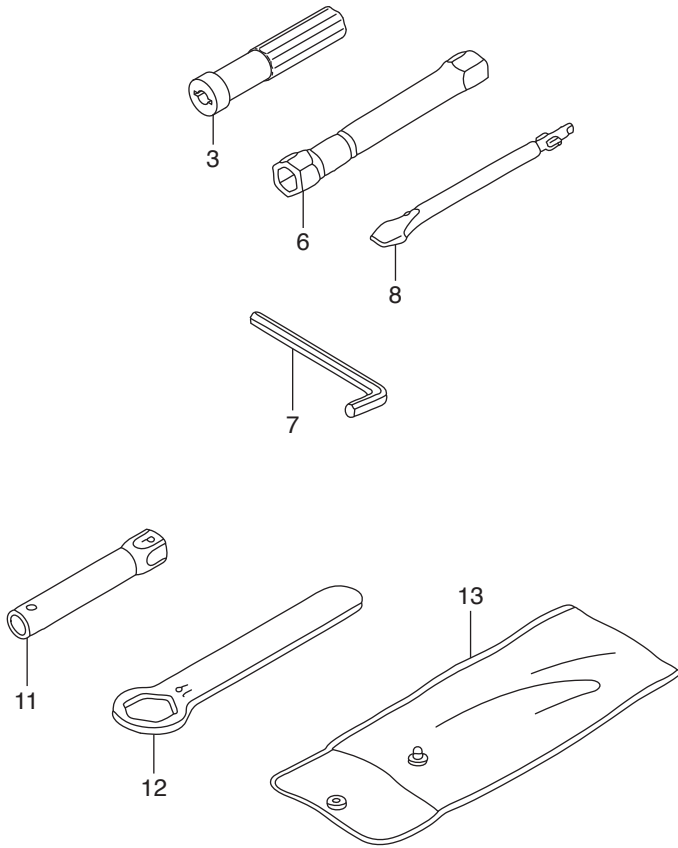


Ref.No.	Part No.	Description	Q'ty		Remarks	
			BFT200A	BFT225A		
F-11	30	HZW1-90114-702	BOLT, SOCKET(A)	1	1	
F-11	31	HZW1-90115-702	BOLT, SOCKET(B)	2	2	
F-11	32	HZW1-90116-702	BOLT, HEX.	4	4	
F-11	33	HZV5-90119-000	SCREW, PAN, 6X8	1	1	
F-11	34	HZV5-90127-003	SCREW, RIVET, 5X10	1	1	
F-11	35	HSB0-90602-003	CLIP, 10.7MM	1	1	
F-11	36	HZW1-90652-702	CIRCLIP, INTERNAL	1	1	
F-11	37	HZV5-91203-821	OIL SEAL	1	1	
F-11	38	HZW1-91207-013	O-RING, 2.0X70.5	1	1	
F-11	39	HZV5-91302-821	O-RING, 1.8X69.6	1	1	
F-11	40	HZV5-91316-821	O-RING, 3.5X38.7	2	2	
F-11	41	HZW1-91352-702	O-RING, 1.8X7.7	6	6	
F-11	42	HZW1-91353-703	O-RING, 1.9X11	1	1	
F-11	43	HZW1-91354-701	O-RING, 3.5X35.7	2	2	
F-11	44	HZW1-91355-701	O-RING, 3.5X41.7	1	1	
F-11	45	HZW1-91357-701	O-RING SET, 3.5X31.7	2	2	
F-11	46	HZW1-91358-701	SEAL, WATER	2	2	
F-11	47	HZW1-91361-701	PACKING	2	2	
F-11	48	HZW1-91557-701	COLLAR, ORIFICE	1	1	
F-11	49	HCO-94540-15029	E-RING, 15MM	2	2	

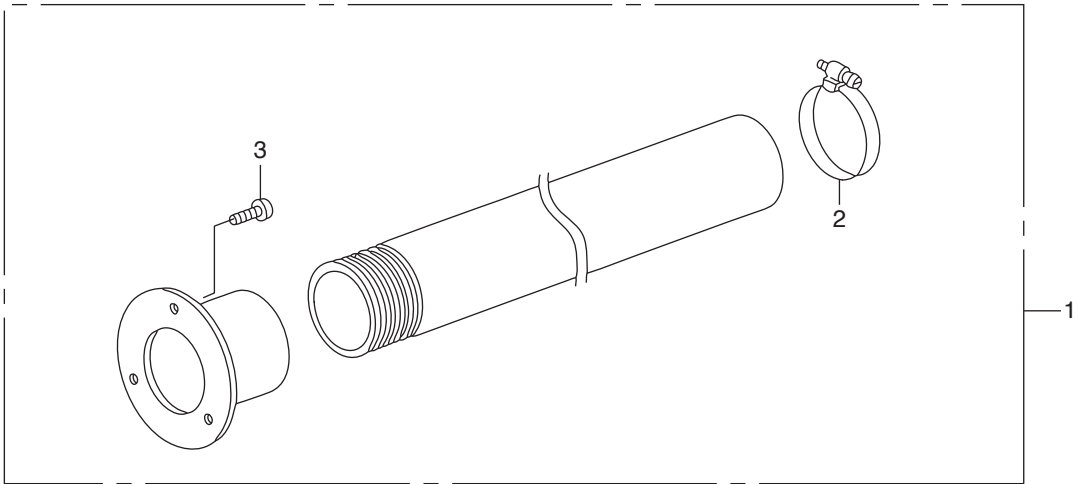




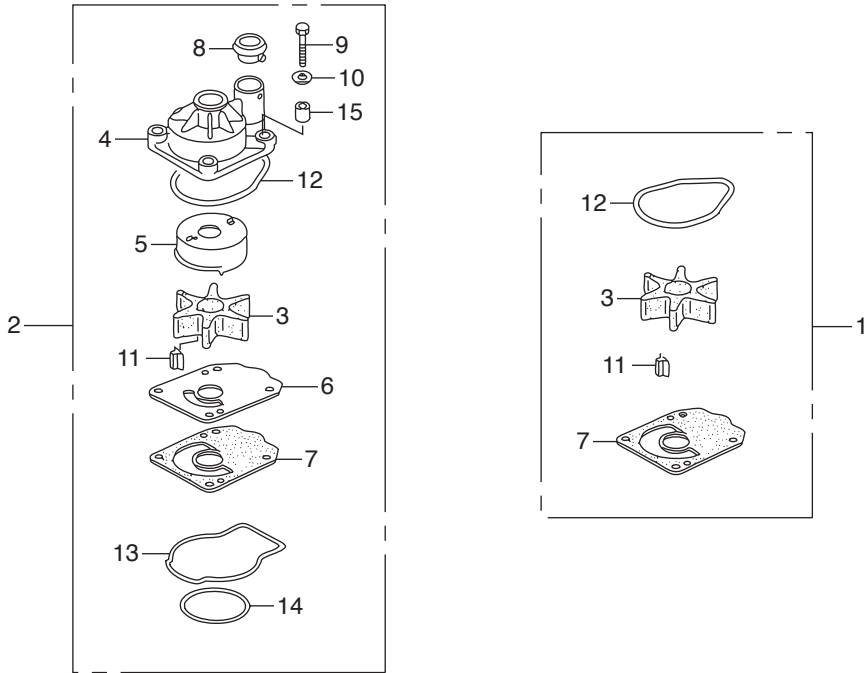






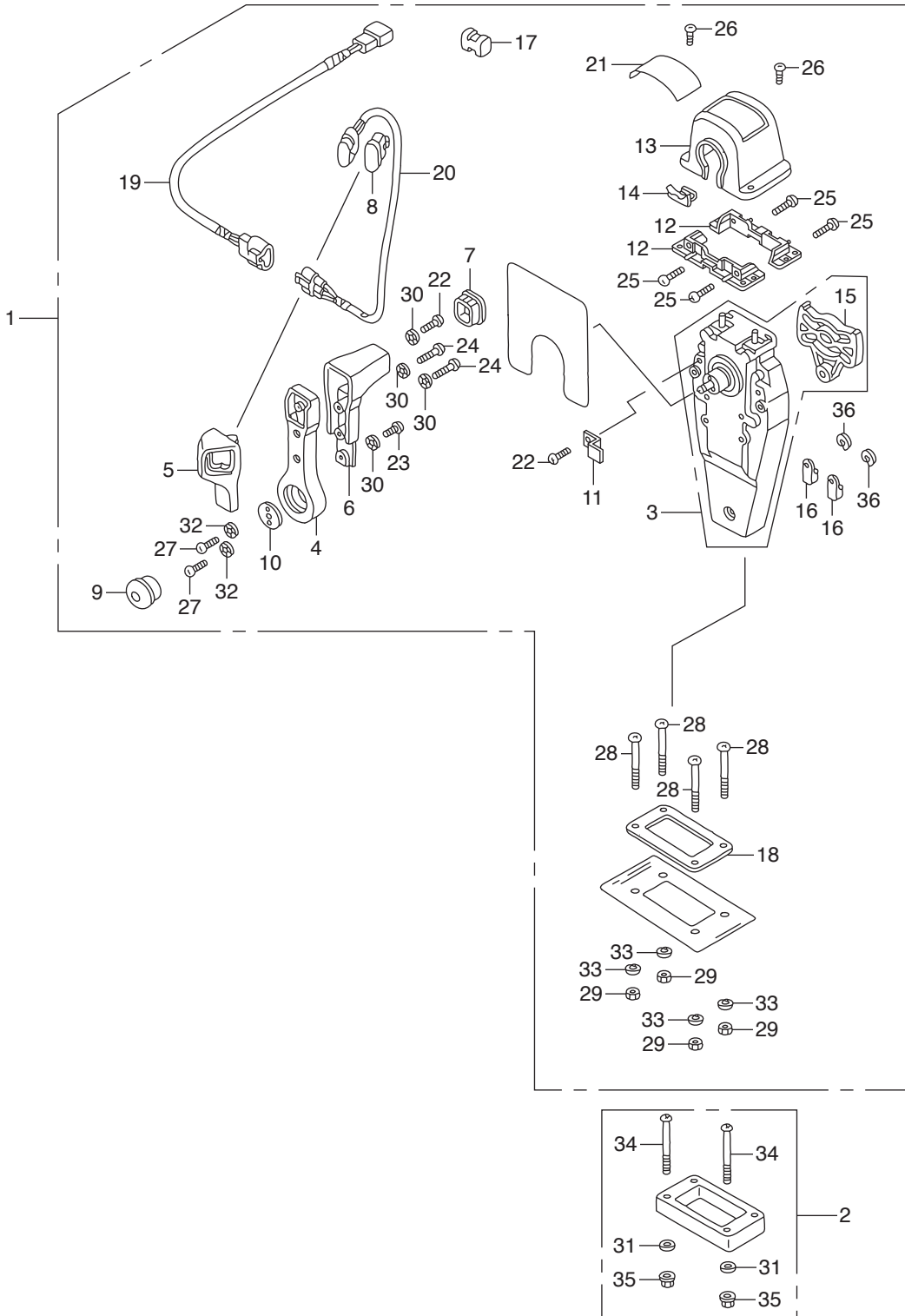


Ref.No.	Part No.	Description	Q'ty		Remarks	
			BFT200A	BFT225A		
FOP-1	1	HZY3-06177-U02	HOSE KIT, RIGGING	1	1	
FOP-1	2	HZY3-17748-U01	CLAMP	1	1	
FOP-1	3	HZY3-17749-U01	SCREW, TAPPING	3	3	



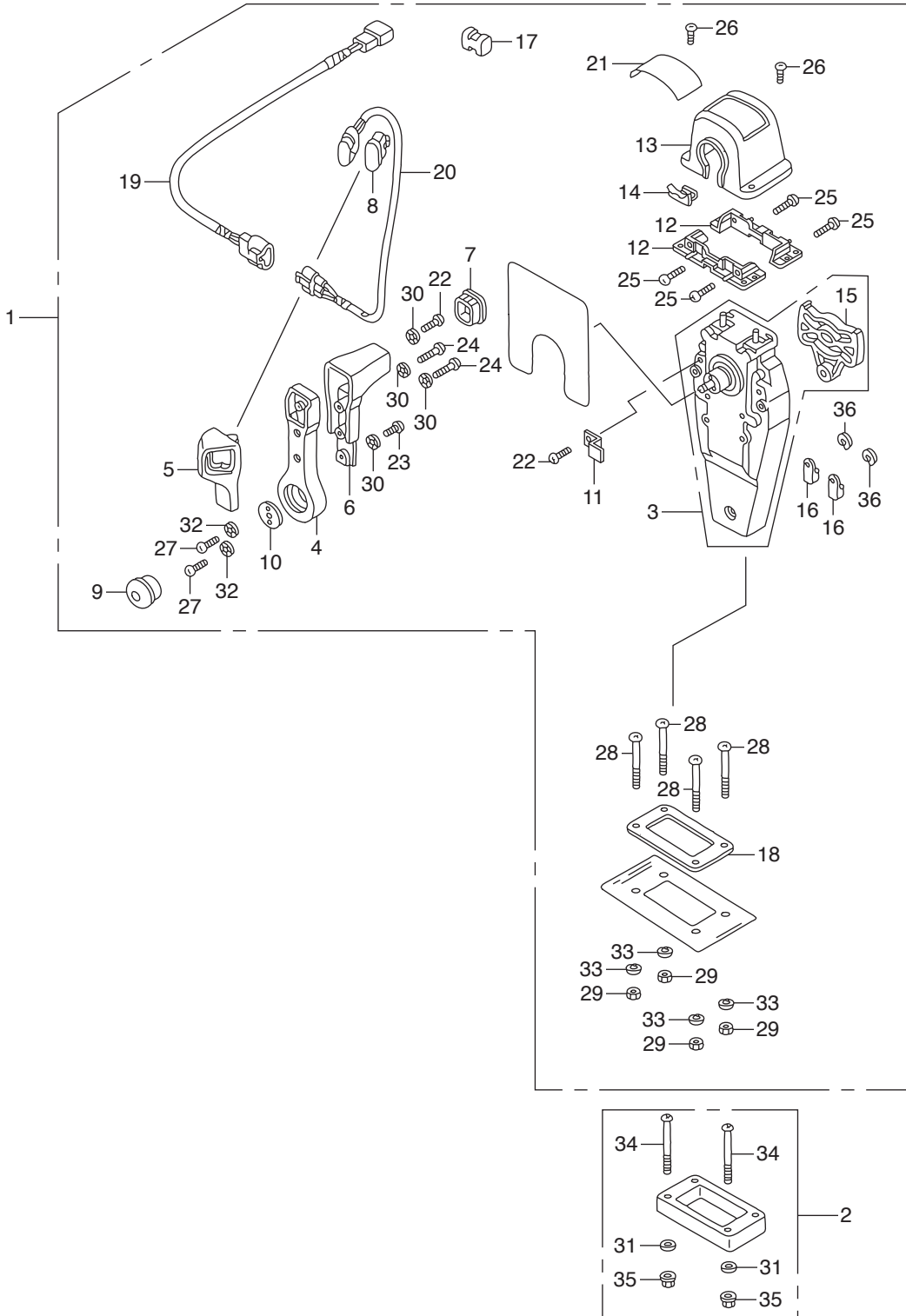
←FR.

Ref.No.	Part No.	Description	Q' ty		Remarks	
			BFT200A	BFT225A		
FOP-2	1	HZY3-06192-000	PUMP KIT, IMPELLER	1	1	
FOP-2	2	HZY3-06193-010	PUMP KIT, IMPELLER	1	1	
FOP-2	3	HZY3-19210-003	IMPELLER, PUMP	1	1	
FOP-2	4	HZY3-19221-010	HOUSING, IMPELLER	1	1	
FOP-2	5	HZY3-19223-000	LINER, PUMP	1	1	
FOP-2	6	HZY3-19231-000	COVER, IMPELLER	1	1	
FOP-2	7	HZY3-19234-000	GASKET B, IMPELLER	1	1	
FOP-2	8	HZY3-19253-000	RING, WATER TUBE SEAL	1	1	
FOP-2	9	HZY3-90116-000	BOLT, HEX., 8X60	4	4	
FOP-2	10	H921-90514-000	WASHER, 8MM	4	4	
FOP-2	11	HZY3-90752-003	KEY, WOODRUFF	1	1	
FOP-2	12	HZY3-91356-003	O-RING, WATER PUMP	1	1	
FOP-2	13	HZY3-91358-003	O-RING, WATER PUMP HOUSING	1	1	
FOP-2	14	HZY3-91359-003	O-RING, 69.1X2.4	1	1	
FOP-2	15	HZY3-91551-000	COLLAR, DISTANCE	4	4	



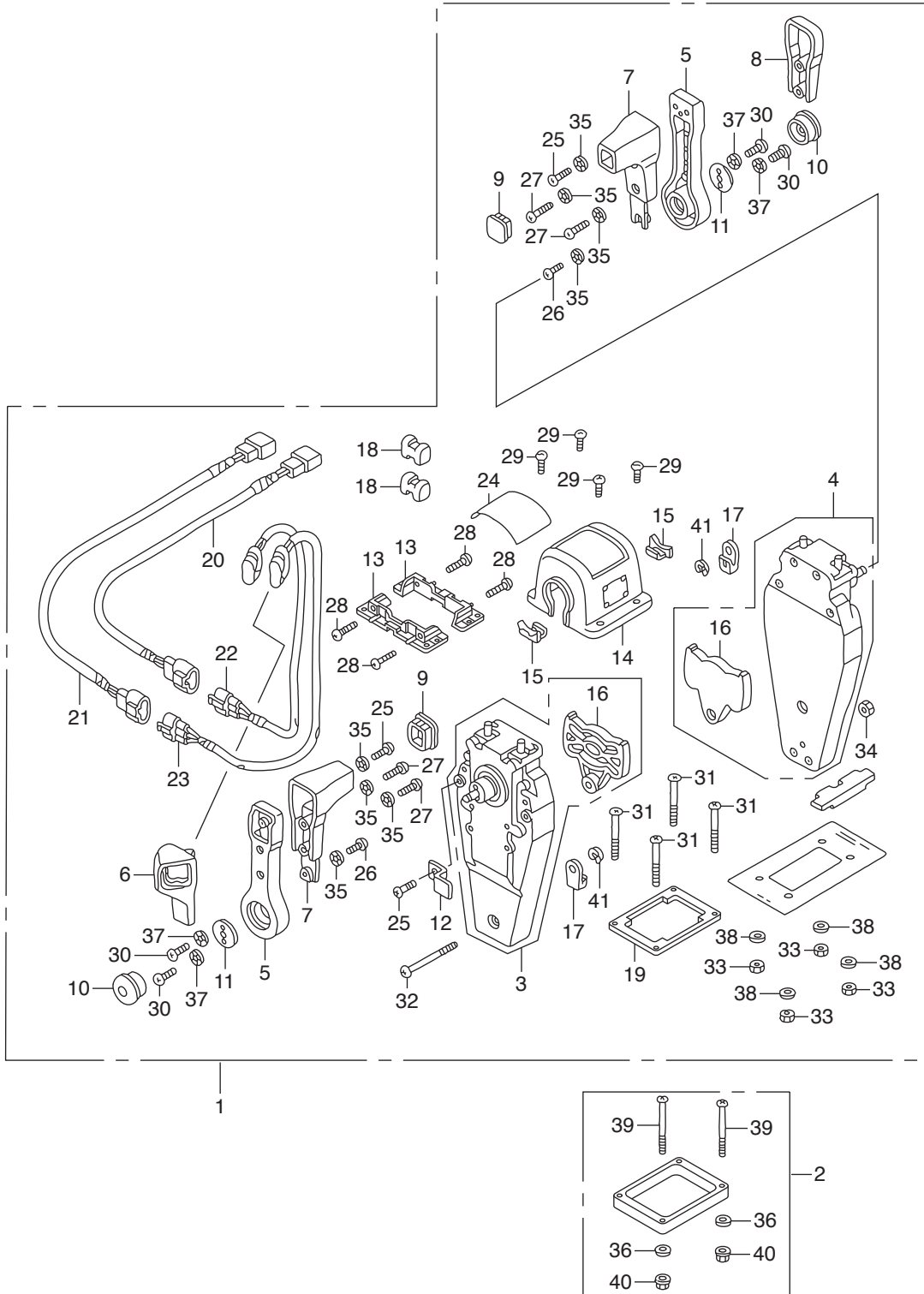


Ref.No.	Part No.	Description	Q'ty		Remarks	
			BFT200A	BFT225A		
FOP-3	1	HZZ3-06240-R30	BOX KIT, REMOTE CONTROL	1	1	(TOP MOUNT SINGLE)(R.)
FOP-3	2	HZW5-06241-U00	SPACER KIT, REMOTE CONTROL BOX	1	1	(TOP MOUNT SINGLE)
FOP-3	3	HZW5-24810-U01	HOUSING ASSY., L. INNER	1	1	(TOP MOUNT)
FOP-3	4	HZW5-24811-U01	HANDLE, REMOTE CONTROL	1	1	
FOP-3	5	HZW5-24812-U01	COVER, L. GRIP	1	1	
FOP-3	6	HZW5-24813-U01	GRIP, REMOTE CONTROL HANDLE	1	1	
FOP-3	7	HZW5-24814-U01	CAP, GRIP	1	1	
FOP-3	8	HZW5-24815-U01	CAP, SWITCH	1	1	
FOP-3	9	HZW5-24816-U01	BUTTON, THROTTLE	1	1	
FOP-3	10	HZW5-24817-U01	PLATE, HANDLE	1	1	
FOP-3	11	HZW5-24818-U01	PLATE, CABLE CLAMP	1	1	
FOP-3	12	HZW5-24819-U01	BRACKET, REMOTE CONTROL	2	2	HOUSING
FOP-3	13	HZZ3-24820-R11	HOUSING COMP., REMOTE CONTROL	1	1	BOX
FOP-3	14	HZW5-24825-U01	HOUSING, LEAD	1	1	
FOP-3	15	HZW5-24826-U01	PLATE, DWELL	1	1	
FOP-3	16	HZW5-24831-U01	TERMINAL, CABLE	2	2	
FOP-3	17	HZW5-24832-U01	SPACER, CABLE CLAMP	1	1	
FOP-3	18	HZW5-24834-U01	PACKING, SINGLE	1	1	
FOP-3	19	HZW7-32530-U00	SUB HARNESS ASSY., POWER	1	1	TRIM-TILT(A)
FOP-3	20	HZW5-35370-U02	SWITCH ASSY., POWER TRIM-TILT	1	1	(A)
FOP-3	21	HZZ3-87703-R81	MARK, REMOTE CONTROL(SINGLE)	1	1	
FOP-3	22	HZW5-90101-U00	SCREW, PAN, 5X16	2	2	
FOP-3	23	HZW5-90102-U00	SCREW, PAN, 5X10	1	1	
FOP-3	24	HZW5-90103-U01	SCREW, PAN, 5X20	2	2	
FOP-3	25	HZW5-90104-U00	SCREW, PAN, 5X18	4	4	
FOP-3	26	HZW5-90105-U01	SCREW, PAN, 4X10	2	2	
FOP-3	27	HZW5-90106-U00	SCREW, PAN, 6X18	2	2	
FOP-3	28	HZW5-90107-U00	SCREW, PAN, 5X40	4	4	
FOP-3	29	HZW5-90301-U00	NUT, HEX., 5MM	4	4	

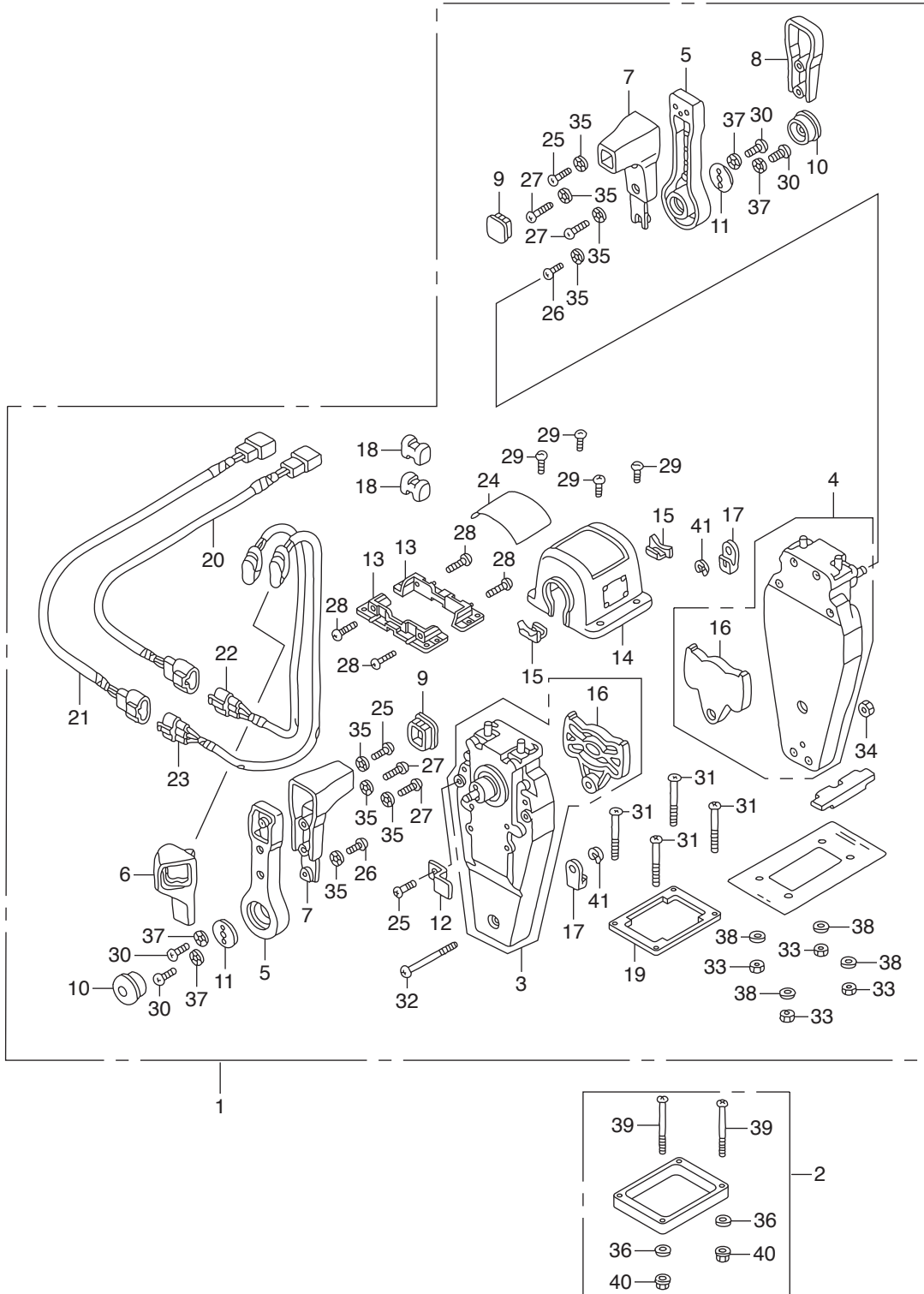




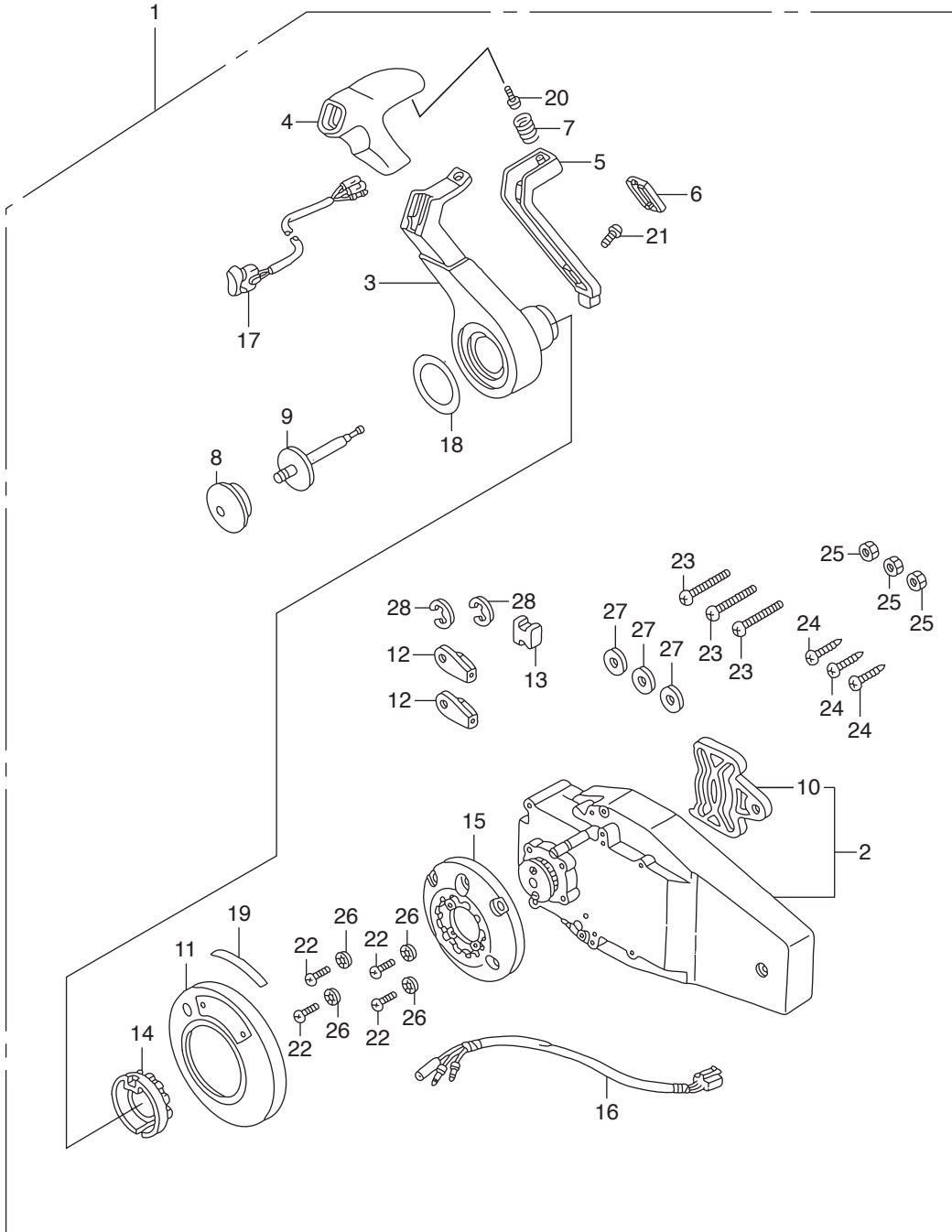
REMOTE CONTROL  
(TOP MOUNT DUAL TYPE) (RIGHT)



Ref.No.	Part No.	Description	Q' ty		Remarks	
			BFT200A	BFT225A		
FOP-3-2	1	HZZ3-06240-R60	BOX KIT, REMOTE CONTROL	1	1	(TOP MOUNT DUAL)(R.)
FOP-3-2	2	HZW5-06241-U10	SPACER KIT, REMOTE CONTROL BOX	1	1	(TOP MOUNT DUAL)
FOP-3-2	3	HZW5-24810-U01	HOUSING ASSY., L. INNER	1	1	(TOP MOUNT)
FOP-3-2	4	HZW5-24810-U11	HOUSING ASSY., R. INNER	1	1	(TOP MOUNT)
FOP-3-2	5	HZW5-24811-U01	HANDLE, REMOTE CONTROL	2	2	
FOP-3-2	6	HZW5-24812-U01	COVER, L. GRIP	1	1	
FOP-3-2	7	HZW5-24813-U01	GRIP, REMOTE CONTROL HANDLE	2	2	
FOP-3-2	8	HZW5-24813-U21	COVER, DUAL GRIP	1	1	
FOP-3-2	9	HZW5-24814-U01	CAP, GRIP	2	2	
FOP-3-2	10	HZW5-24816-U01	BUTTON, THROTTLE	2	2	
FOP-3-2	11	HZW5-24817-U01	PLATE, HANDLE	2	2	
FOP-3-2	12	HZW5-24818-U01	PLATE, CABLE CLAMP	1	1	
FOP-3-2	13	HZW5-24819-U01	BRACKET, REMOTE CONTROL	2	2	HOUSING
FOP-3-2	14	HZZ3-24820-R21	HOUSING COMP., REMOTE CONTROL	1	1	BOX(DUAL)
FOP-3-2	15	HZW5-24825-U01	HOUSING, LEAD	2	2	
FOP-3-2	16	HZW5-24826-U01	PLATE, DWELL	2	2	
FOP-3-2	17	HZW5-24831-U01	TERMINAL, CABLE	4	4	
FOP-3-2	18	HZW5-24832-U01	SPACER, CABLE CLAMP	2	2	
FOP-3-2	19	HZW5-24834-U21	PACKING, DUAL	1	1	
FOP-3-2	20	HZW7-32530-U00	SUB HARNESS ASSY., POWER	1	1	TRIM-TILT(A)
FOP-3-2	21	HZW7-32530-U10	SUB HARNESS ASSY., POWER	1	1	TRIM-TILT(B)
FOP-3-2	22	HZW5-35370-U02	SWITCH ASSY., POWER TRIM-TILT	1	1	(A)
FOP-3-2	23	HZW5-35370-U12	SWITCH ASSY., POWER TRIM-TILT	1	1	(B)
FOP-3-2	24	HZZ3-87703-R01	MARK, REMOTE CONTROL(DUAL)	1	1	
FOP-3-2	25	HZW5-90101-U00	SCREW, PAN, 5X16	3	3	
FOP-3-2	26	HZW5-90102-U00	SCREW, PAN, 5X10	2	2	
FOP-3-2	27	HZW5-90103-U01	SCREW, PAN, 5X20	4	4	
FOP-3-2	28	HZW5-90104-U00	SCREW, PAN, 5X18	4	4	
FOP-3-2	29	HZW5-90105-U01	SCREW, PAN, 4X10	4	4	

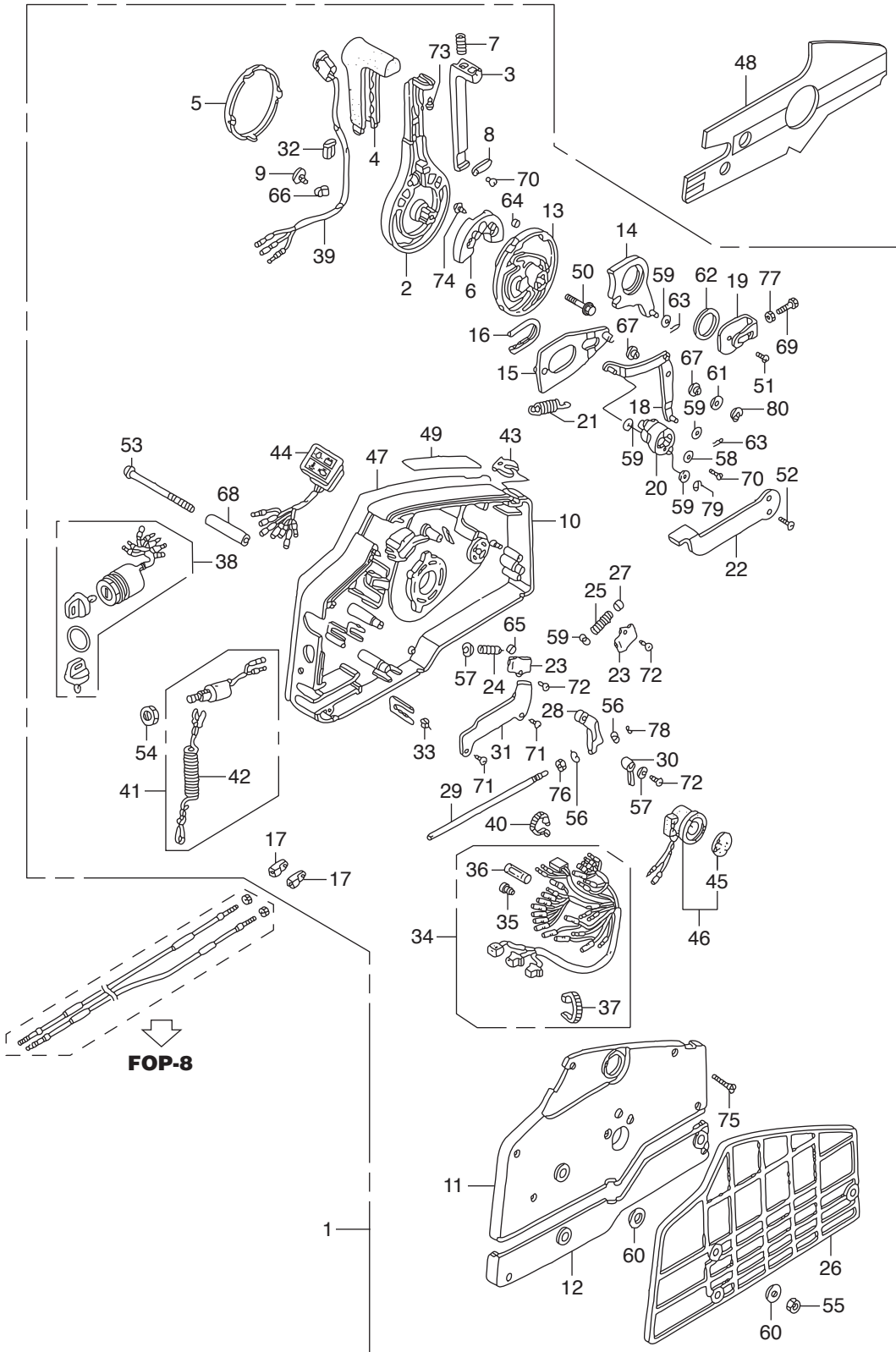


Ref.No.	Part No.	Description	Q' ty		Remarks	
			BFT200A	BFT225A		
FOP-3-2	30	HZW5-90106-U00	SCREW, PAN, 6X18	4	4	
FOP-3-2	31	HZW5-90107-U00	SCREW, PAN, 5X40	4	4	
FOP-3-2	32	HZW5-90108-U00	SCREW, PAN, 5X55	1	1	
FOP-3-2	33	HZW5-90301-U00	NUT, HEX., 5MM	4	4	
FOP-3-2	34	HZW5-90302-U21	NUT, HEX., 5MM	1	1	
FOP-3-2	35	HZW5-90501-U00	WASHER, LOCK, 5MM	8	8	
FOP-3-2	36	HZV4-90502-000	WASHER, PLAIN, 5MM	4	4	
FOP-3-2	37	HZW5-90502-U00	WASHER, LOCK, 6MM	4	4	
FOP-3-2	38	HZW5-90503-U00	WASHER, PLAIN, 5MM	4	4	
FOP-3-2	39	HCO-93500-05065-4J	SCREW, PAN, 5X65	4	4	
FOP-3-2	40	HCO-94001-05490-0S	NUT, HEX., 5MM	4	4	
FOP-3-2	41	HCO-94540-06029	E-RING, 6MM	4	4	

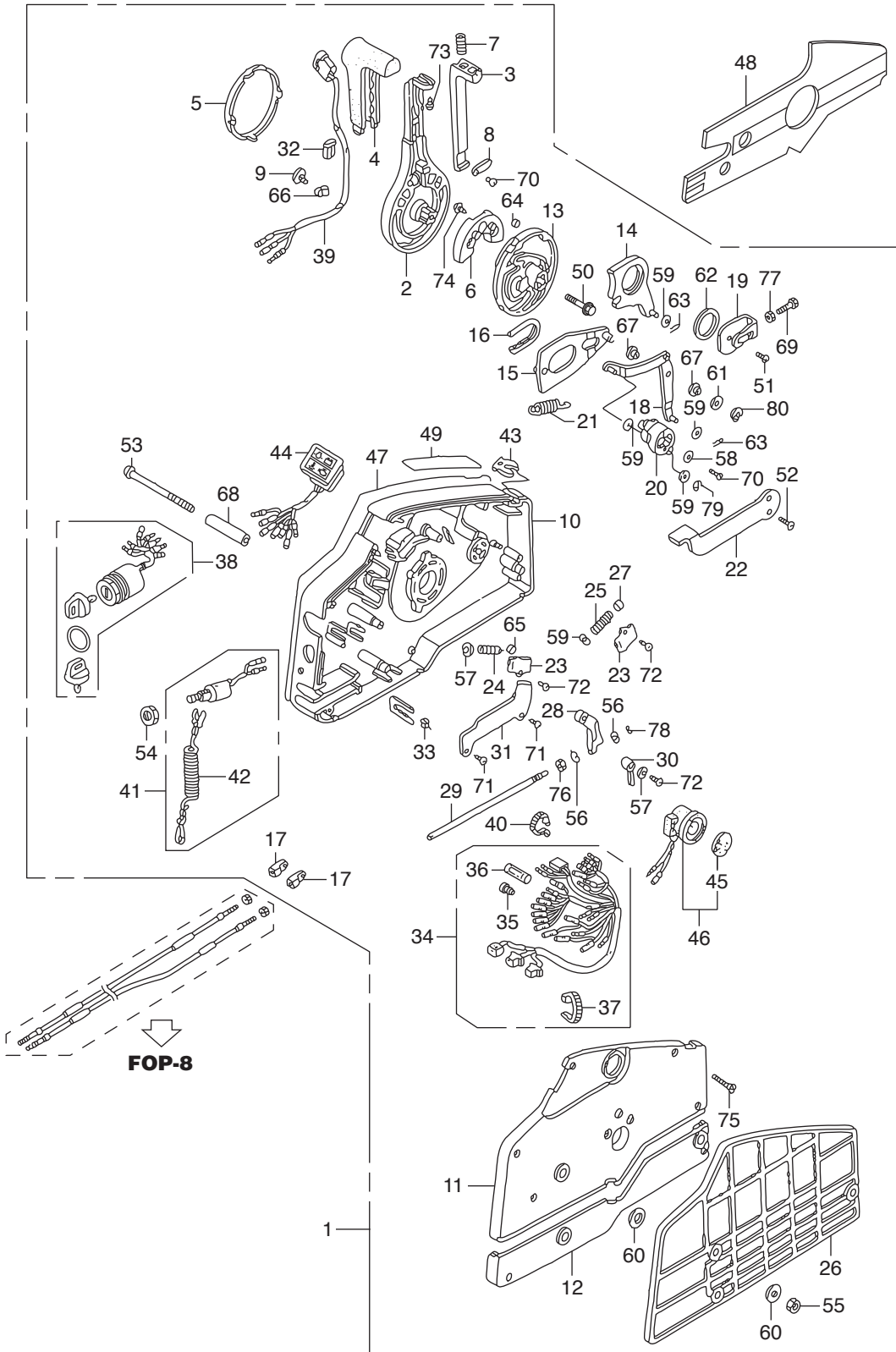




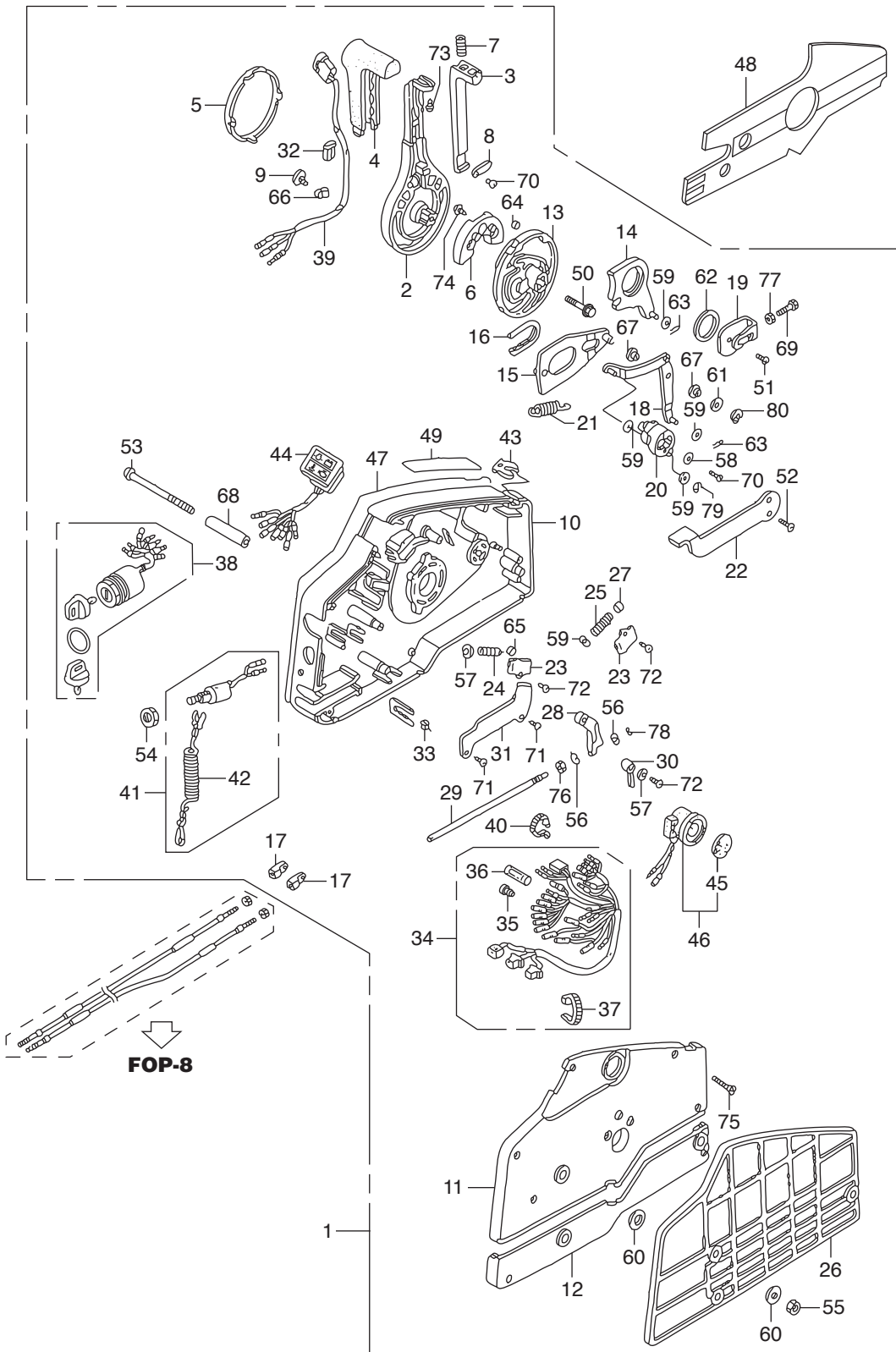
Ref.No.	Part No.	Description	Q' ty		Remarks	
			BFT200A	BFT225A		
FOP-3-4	1	HZZ3-06240-R40	BOX KIT, REMOTE CONTROL	1	1	(FLUSH MOUNT)(R.)
FOP-3-4	2	HZW7-24810-U01	HOUSING ASSY., R. INNER	1	1	(FLUSH MOUNT)
FOP-3-4	3	HZW7-24811-U01	HANDLE, REMOTE CONTROL	1	1	
FOP-3-4	4	HZW7-24812-U01	COVER, GRIP	1	1	
FOP-3-4	5	HZW7-24813-U01	ARM, NEUTRAL LOCK	1	1	
FOP-3-4	6	HZW7-24814-U01	COVER, LOCK ARM	1	1	
FOP-3-4	7	HZW7-24815-U01	SPRING, NEUTRAL LOCK ARM	1	1	
FOP-3-4	8	HZW5-24816-U01	BUTTON, THROTTLE	1	1	
FOP-3-4	9	HZW7-24817-U01	SHAFT, THROTTLE BUTTON	1	1	
FOP-3-4	10	HZW5-24826-U01	PLATE, DWELL	1	1	
FOP-3-4	11	HZZ3-24830-R41	COVER ASSY.	1	1	
FOP-3-4	12	HZW5-24831-U01	TERMINAL, CABLE	2	2	
FOP-3-4	13	HZW5-24832-U01	SPACER, CABLE CLAMP	1	1	
FOP-3-4	14	HZW7-24832-U01	HOLDER, NEUTRAL LOCK	1	1	
FOP-3-4	15	HZW7-24833-U01	BASE	1	1	
FOP-3-4	16	HZW7-32530-U20	SUB HARNESS ASSY., POWER	1	1	TRIM-TILT(C)
FOP-3-4	17	HZW7-35370-U02	SWITCH ASSY., POWER TRIM-TILT	1	1	(C)
FOP-3-4	18	HZZ3-87701-R40	MARK, HANDLE FLUSH MOUNT	1	1	
FOP-3-4	19	HZW7-87703-U00	MARK, FLUSH MOUNT	1	1	
FOP-3-4	20	HZW5-90101-U00	SCREW, PAN, 5X16	1	1	
FOP-3-4	21	HZW7-90101-U01	SCREW, TRUSS, 4X12	1	1	
FOP-3-4	22	HZW7-90102-U01	SCREW, PAN, 5X30	4	4	
FOP-3-4	23	HZW7-90103-U01	SCREW, PAN, 6X35	3	3	
FOP-3-4	24	HZW7-90104-U01	SCREW, TAPPING, 6X30	3	3	
FOP-3-4	25	HZW7-90301-U01	NUT, HEX., 6MM	3	3	
FOP-3-4	26	HZW5-90501-U00	WASHER, LOCK, 5MM	4	4	
FOP-3-4	27	HZW7-90502-U00	WASHER, PLAIN, 6MM	3	3	
FOP-3-4	28	HCO-94540-06029	E-RING, 6MM	2	2	



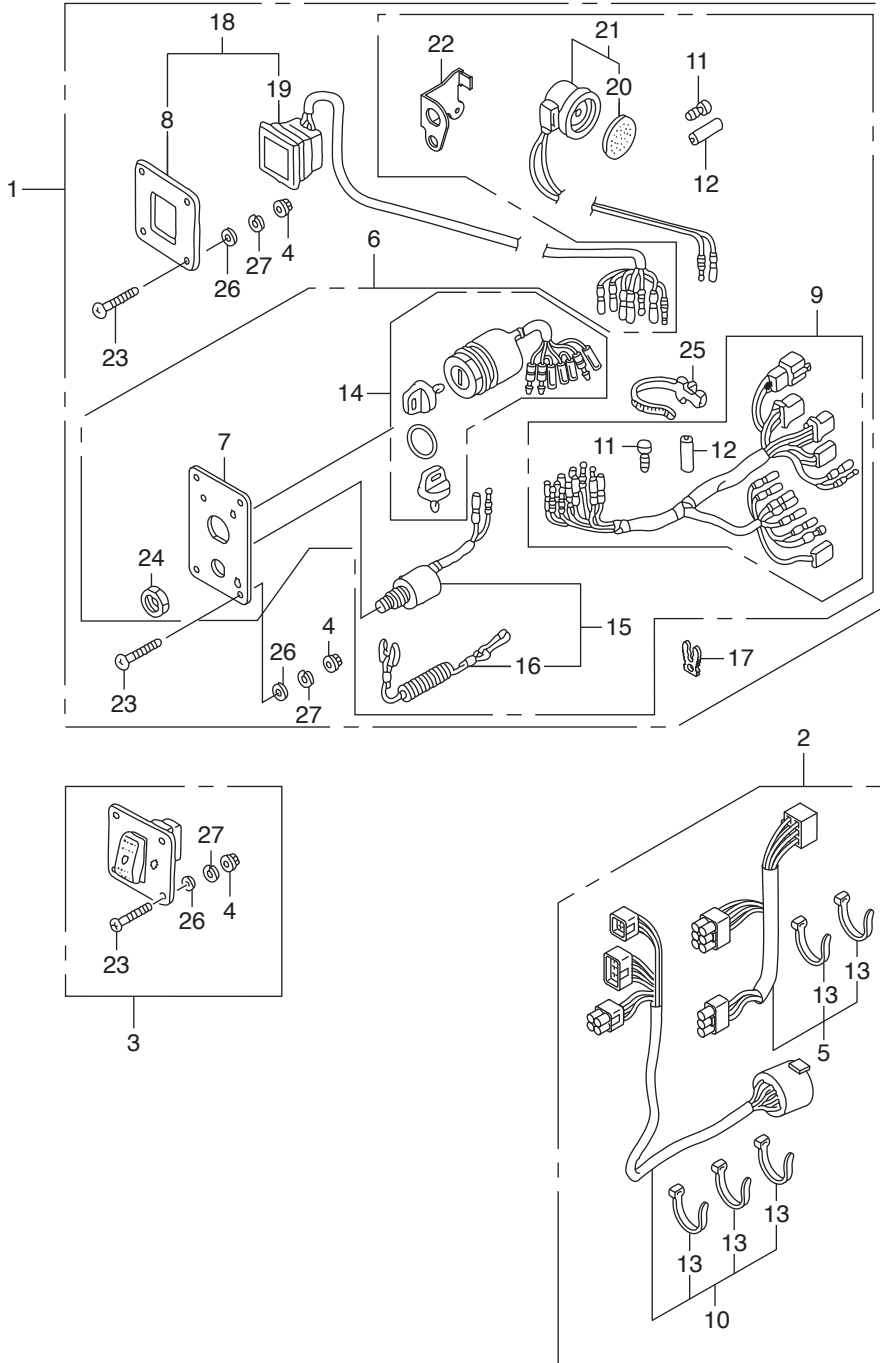
Ref.No.	Part No.	Description	Q' ty		Remarks	
			BFT200A	BFT225A		
FOP-3-6	1	HZZ3-24800-R50	BOX ASSY., REMOTE CONTROL(EU)	1	1	LU,XU
FOP-3-6		HZZ3-24800-R00	BOX ASSY., REMOTE CONTROL(EU)	1	1	XD
FOP-3-6	2	HZV5-24811-010	HANDLE, REMOTE CONTROL	1	1	
FOP-3-6	3	HZV5-24812-000	LEVER, HANDLE LOCK	1	1	
FOP-3-6	4	HZV5-24813-000	GRIP, REMOTE CONTROL HANDLE	1	1	
FOP-3-6	5	HZV5-24814-010	CAP, HANDLE	1	1	
FOP-3-6	6	HZV5-24815-010	BLOCK, NEUTRAL LOCK	1	1	
FOP-3-6	7	HZV5-24816-000	SPRING, REMOTE CONTROL HANDLE	1	1	
FOP-3-6	8	HZV5-24817-000	PLATE, LEVER SETTING	1	1	
FOP-3-6	9	HZV5-24818-003	CLAMP, HARNESS	1	1	
FOP-3-6	10	HZV5-24820-010	HOUSING COMP., REMOTE CONTROL	1	1	BOX(A)
FOP-3-6	11	HZV5-24830-010	HOUSING COMP., REMOTE CONTROL	1	1	BOX(B)
FOP-3-6	12	HZV5-24836-000	HOUSING, REMOTE CONTROL BOX(C)	1	1	
FOP-3-6	13	HZV5-24841-000	WHEEL, CONTROL	1	1	
FOP-3-6	14	HZV5-24845-000	ARM COMP., SHIFT LINK	1	1	
FOP-3-6	15	HZV5-24850-000	PLATE COMP., SLIDING	1	1	
FOP-3-6	16	HZV5-24854-000	COLLAR, SLIDING PLATE	1	1	
FOP-3-6	17	HZV5-24855-000	PIVOT, SHIFT	2	2	
FOP-3-6	18	HZV5-24860-000	ARM COMP., LINK JOINT	1	1	
FOP-3-6	19	HZV5-24865-000	BRACKET, LINK JOINT	1	1	
FOP-3-6	20	HZV5-24875-000	WHEEL, ACCELERATOR	1	1	
FOP-3-6	21	HZV5-24876-000	SPRING, ACCELERATOR WHEEL	1	1	
FOP-3-6	22	HZV5-24878-000	LEVER, IDLE	1	1	
FOP-3-6	23	HZV5-24881-000	PLATE, SPRING SETTING	2	2	
FOP-3-6	24	HZV5-24883-000	SPRING, SHIFT CLICK	1	1	
FOP-3-6	25	HZV5-24884-000	SPRING, CHOKE RETURN	1	1	
FOP-3-6	26	HZV5-24885-000	SPACER, REMOTE CONTROL BOX	1	1	
FOP-3-6	27	HZV5-24887-000	SPACER, CLICK SPRING	1	1	
FOP-3-6	28	HZV5-24891-000	BLOCK, THROTTLE FRICTION	1	1	



Ref.No.	Part No.	Description	Q' ty		Remarks	
			BFT200A	BFT225A		
FOP-3-6	29	HZV5-24892-000	BOLT, FRICTION	1	1	
FOP-3-6	30	HZV5-24894-000	SPACER, NEUTRAL SWITCH	1	1	
FOP-3-6	31	HZV5-24895-000	CLAMP, POWER TILT CORD	1	1	
FOP-3-6	32	HZV5-24897-000	PIPE, HARNESS GUIDE	1	1	
FOP-3-6	33	HZV5-24898-000	SPACER, CABLE CLAMP	1	1	
FOP-3-6	34	HZZ5-32530-000	CABLE ASSY., REMOTE CONTROL(B)	1	1	
FOP-3-6	35	HZV5-32823-003	PLUG, INNER CONNECTOR	7	7	
FOP-3-6	36	HZV5-32824-003	PLUG, OUTER CONNECTOR	1	1	
FOP-3-6	37	H952-32901-770	TIE, CABLE(NATURAL)(2.4X92)	1	1	
FOP-3-6	38	HZZ3-35100-R11	SWITCH ASSY., COMBINATION	1	1	
FOP-3-6	39	HZV5-35370-823	SWITCH ASSY., POWER TRIM-TILT	1	1	
FOP-3-6	40	HMG9-35701-950	BAND(BLACK 3.5X140)	1	1	
FOP-3-6	41	HZV5-36180-033	SWITCH ASSY., EMERGENCY STOP	1	1	
FOP-3-6	42	HZV4-36182-651	CORD COMP., EMERGENCY	1	1	
FOP-3-6	43	HZV4-36187-652	CLIP, EMERGENCY LOCK	1	1	
FOP-3-6	44	HZZ5-37210-013	LAMP ASSY., INDICATION	1	1	
FOP-3-6	45	H341-38403-672	PLATE, WINKER BUZZER	1	1	
FOP-3-6	46	HZV5-38410-003	BUZZER COMP., WARNING	1	1	
FOP-3-6	47	HZZ3-87701-R50	PLATE, REMOTE CONTROL(EU)	1	1	LU,XU
FOP-3-6		HZZ3-87701-R00	PLATE, REMOTE CONTROL	1	1	XD
FOP-3-6	48	HZZ5-87701-790	PLATE, REMOTE CONTROL(REVERSE)	1	1	
FOP-3-6	49	HZW9-87702-800	MARK, FAST IDLE	1	1	
FOP-3-6	50	HZW9-90008-000	BOLT, FLANGE, 8X35	1	1	
FOP-3-6	51	HMM4-90105-000	SCREW, PAN, 6X10	1	1	
FOP-3-6	52	HZW4-90108-000	SCREW, FLAT, 5X12	2	2	
FOP-3-6	53	HZV5-90125-000	SCREW, 6X95	3	3	
FOP-3-6	54	H921-90302-000	NUT, HEX., 16MM	1	1	
FOP-3-6	55	HZV4-90304-000	NUT, HEX., 6MM	3	3	
FOP-3-6	56	HZW4-90401-000	WASHER, PLAIN, 4MM	2	2	

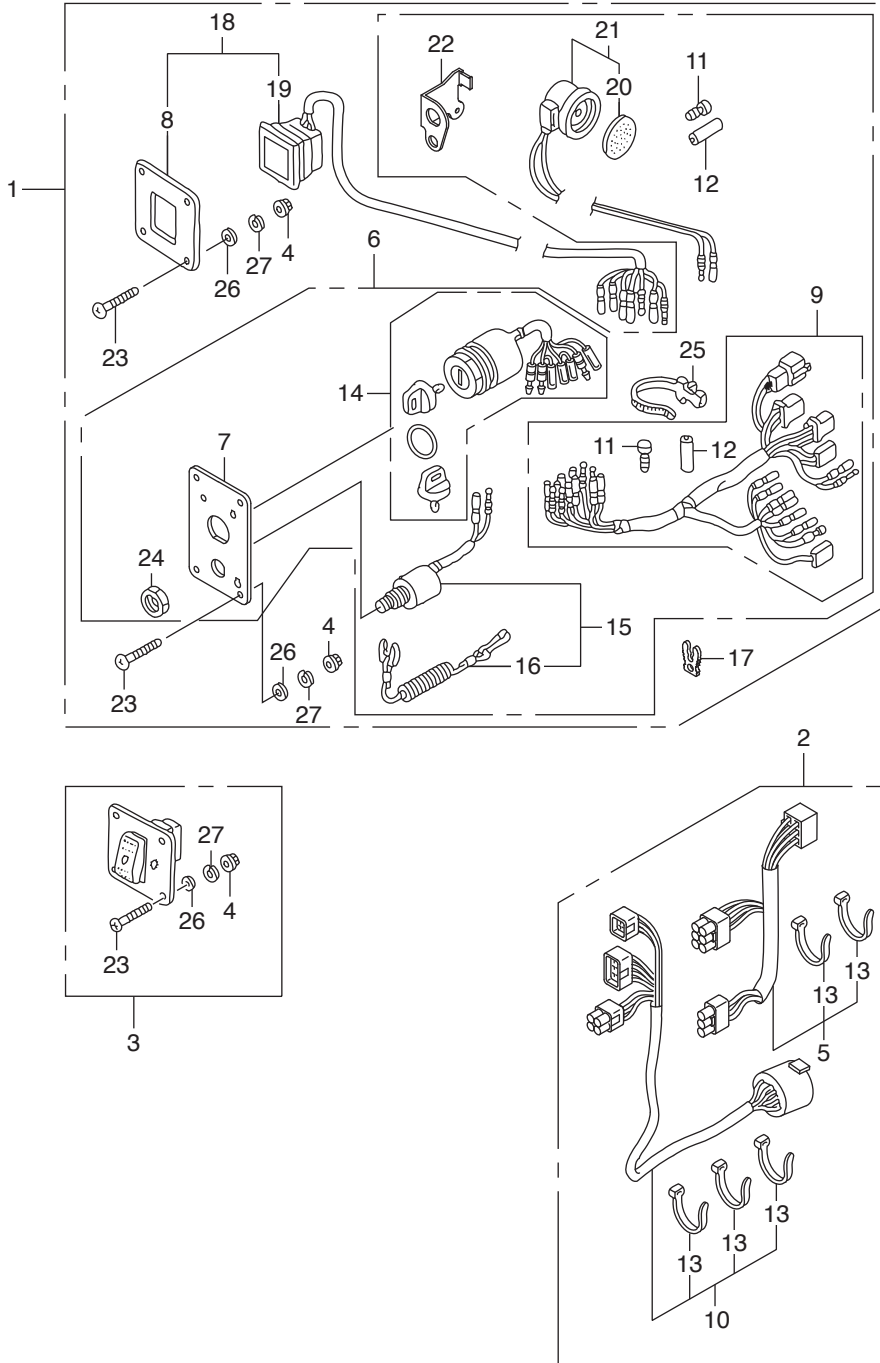


Ref.No.	Part No.	Description	Q' ty		Remarks	
			BFT200A	BFT225A		
FOP-3-6	57	HZW4-90402-000	WASHER, PLAIN, 5MM	2	2	
FOP-3-6	58	HZV4-90502-000	WASHER, PLAIN, 5MM	1	1	
FOP-3-6	59	H921-90504-010	WASHER, PLAIN, 6MM	5	5	
FOP-3-6	60	H921-90512-010	WASHER, 6MM	6	6	
FOP-3-6	61	H921-90518-000	WASHER, PLAIN, 8MM	1	1	
FOP-3-6	62	HZV5-90557-000	WASHER, 28MM	1	1	
FOP-3-6	63	HZV5-90751-000	PIN, LOCK, 6MM	2	2	
FOP-3-6	64	HZV5-90772-000	PIN, 6X6	1	1	
FOP-3-6	65	HZV5-91151-000	ROLLER, CLICK	1	1	
FOP-3-6	66	HSB6-91475-000	CLIP, WIRE HARNESS(6.3MM)	1	1	
FOP-3-6	67	HZV5-91567-000	COLLAR, LINK JOINT	2	2	
FOP-3-6	68	HZV5-91570-000	COLLAR, DISTANCE, 6X10X43.5	3	3	
FOP-3-6	69	HCO-92101-05016-4J	BOLT, HEX., 5X16	1	1	
FOP-3-6	70	HCO-93500-05010-4J	SCREW, PAN, 5X10	2	2	
FOP-3-6	71	HCO-93901-250J0	SCREW, TAPPING, 5X8	2	2	
FOP-3-6	72	HCO-93901-251J0	SCREW, TAPPING, 5X10	3	3	
FOP-3-6	73	HCO-93901-252J0	SCREW, TAPPING, 5X12	1	1	
FOP-3-6	74	HCO-93903-262J0	SCREW, TAPPING, 6X16	2	2	
FOP-3-6	75	HCO-93905-255J0	SCREW, TAPPING, 5X25	7	7	
FOP-3-6	76	HCO-94001-06490-0S	NUT, HEX., 6MM	1	1	
FOP-3-6	77	HCO-94002-05490-0S	NUT, HEX., 5MM	1	1	
FOP-3-6	78	HCO-94540-03029	E-RING, 3MM	1	1	
FOP-3-6	79	HCO-94540-04029	E-RING, 4MM	1	1	
FOP-3-6	80	HCO-94540-07029	E-RING, 7MM	1	1	

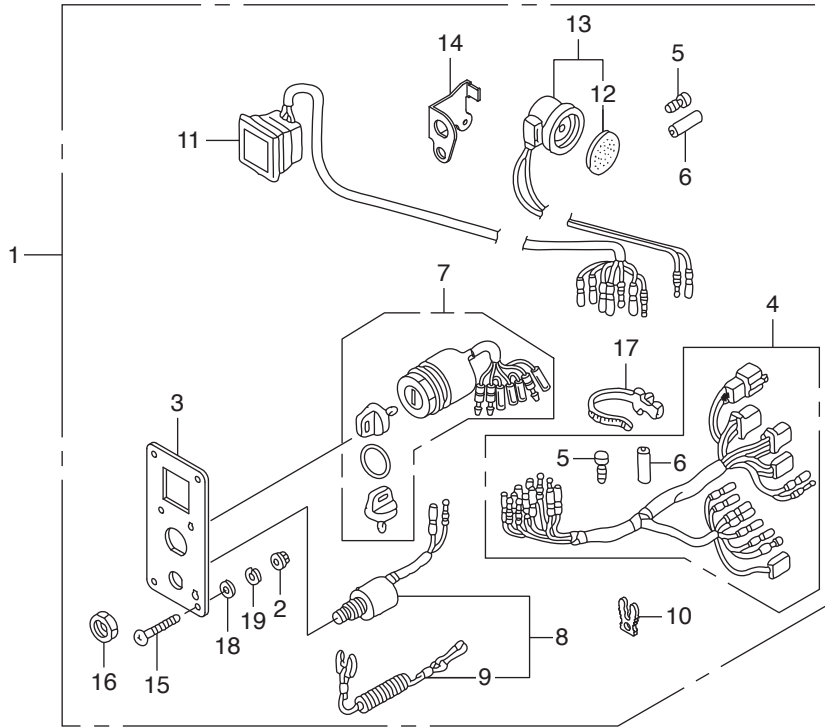




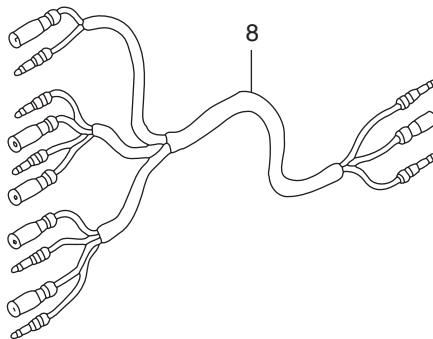
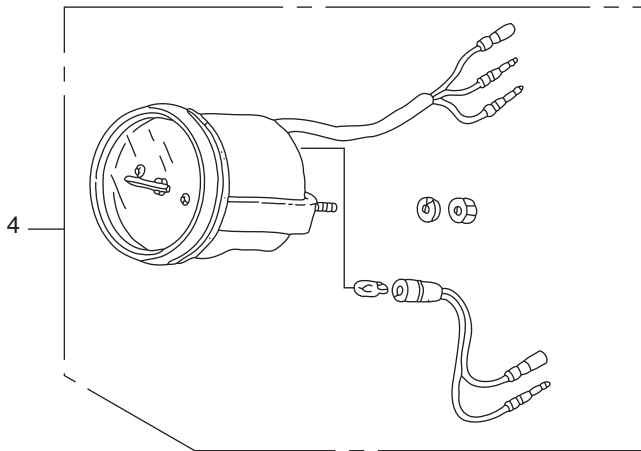
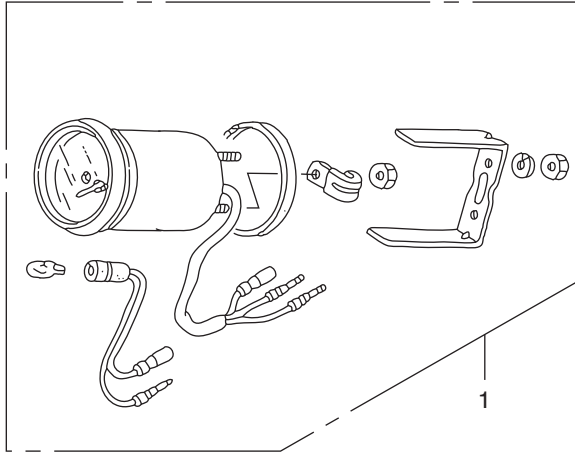
Ref.No.	Part No.	Description	Q' ty		Remarks	
			BFT200A	BFT225A		
FOP-4	1	HZZ3-06323-R00	PANEL KIT, SWITCH(B)(4-LED)	1	1	LU,XU
FOP-4		HZZ3-06323-R20	PANEL KIT, SWITCH(B)(4-LED)	1	1	XD
FOP-4	2	HZZ5-06325-600	CABLE SET, PANEL INDICATOR	1	1	(20FT)
FOP-4		HZZ5-06325-700	CABLE SET, PANEL INDICATOR	1	1	(25FT)
FOP-4		HZZ5-06325-800	CABLE SET, PANEL INDICATOR	1	1	(30FT)
FOP-4	3	HZW5-06352-U01	SWITCH KIT, LIGHT	1	1	
FOP-4	4	HMT8-18334-770	NUT, FLANGE, 5MM	12	12	
FOP-4	5	HZZ5-32185-600	CORD ASSY., INDICATOR(20FT)	1	1	
FOP-4		HZZ5-32185-700	CORD ASSY., INDICATOR(25FT)	1	1	
FOP-4		HZZ5-32185-800	CORD ASSY., INDICATOR(30FT)	1	1	
FOP-4	6	HZZ3-32341-R01	PANEL ASSY., SWITCH	1	1	LU,XU
FOP-4		HZZ3-32341-R31	PANEL ASSY., SWITCH	1	1	XD
FOP-4	7	HZZ3-32346-R01	PANEL, CONTROL	1	1	LU,XU
FOP-4		HZZ3-32346-R21	PANEL, CONTROL	1	1	XD
FOP-4	8	HZZ3-32347-R01	PANEL, CONTROL	1	1	
FOP-4	9	HZZ5-32545-000	HARNESS ASSY., SWITCH PANEL	1	1	
FOP-4	10	HZZ5-32580-600	CABLE ASSY., SWITCH PANEL	1	1	(20FT)
FOP-4		HZZ5-32580-700	CABLE ASSY., SWITCH PANEL	1	1	(25FT)
FOP-4		HZZ5-32580-800	CABLE ASSY., SWITCH PANEL	1	1	(30FT)
FOP-4	11	HZV5-32823-003	PLUG, INNER CONNECTOR	8	8	
FOP-4	12	HZV5-32824-003	PLUG, OUTER CONNECTOR	3	3	
FOP-4	13	H952-32901-770	TIE, CABLE(NATURAL)(2.4X92)	6	6	
FOP-4	14	HZZ3-35100-R11	SWITCH ASSY., COMBINATION	1	1	
FOP-4	15	HZV5-36180-033	SWITCH ASSY., EMERGENCY STOP	1	1	
FOP-4	16	HZV4-36182-651	CORD COMP., EMERGENCY	1	1	
FOP-4	17	HZV4-36187-652	CLIP, EMERGENCY LOCK	1	1	
FOP-4	18	HZZ3-37205-R01	PANEL ASSY., INDICATOR(4-LED)	1	1	
FOP-4	19	HZZ5-37210-762	LAMP ASSY., INDICATION(4-LED)	1	1	
FOP-4	20	H341-38403-672	PLATE, WINKER BUZZER	1	1	



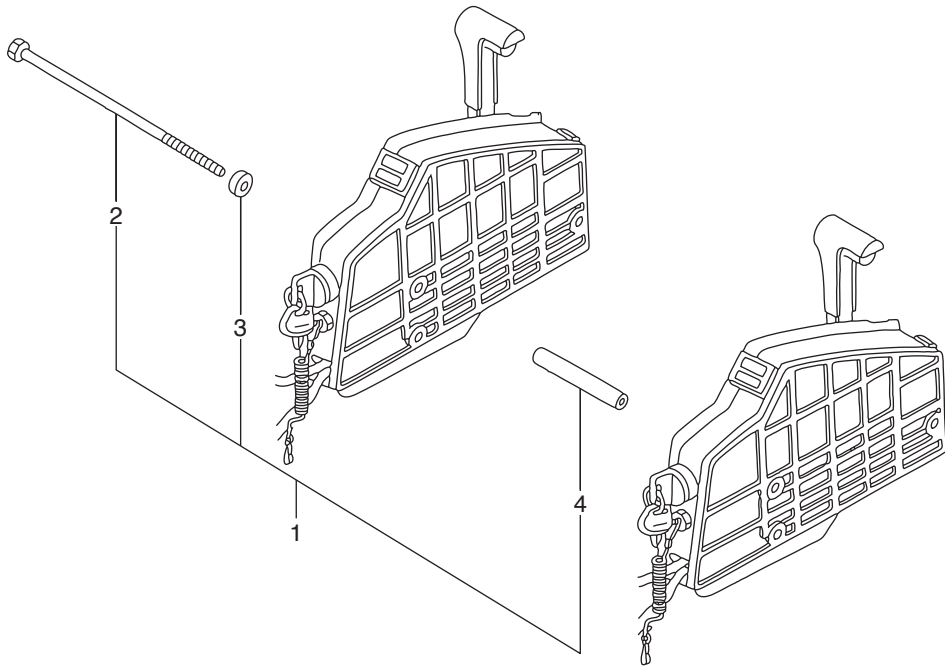
Ref.No.	Part No.	Description	Q'ty		Remarks	
			BFT200A	BFT225A		
FOP-4	21	HZV5-38410-003	BUZZER COMP., WARNING	1	1	
FOP-4	22	HZZ5-38414-003	BRACKET, BUZZER	1	1	
FOP-4	23	HZW5-90109-000	SCREW, PAN, 5X40	12	12	
FOP-4	24	H921-90302-000	NUT, HEX., 16MM	1	1	
FOP-4	25	HSC2-90649-003	BAND, WIRE HARNESS(NATURAL)	1	1	(150MM)
FOP-4	26	HCO-94103-05400	WASHER, PLAIN, 5MM	12	12	
FOP-4	27	HCO-94111-05400	WASHER, SPRING, 5MM	12	12	



Ref.No.	Part No.	Description	Q' ty		Remarks	
			BFT200A	BFT225A		
FOP-4-1	1	HZZ3-06323-R10	PANEL KIT, SWITCH(4-LED)	1	1	LU,XU
FOP-4-1		HZZ3-06323-R30	PANEL KIT, SWITCH(4-LED)	1	1	XD
FOP-4-1	2	HMT8-18334-770	NUT, FLANGE, 5MM	4	4	
FOP-4-1	3	HZZ3-32346-R11	PANEL, CONTROL	1	1	LU,XU
FOP-4-1		HZZ3-32346-R31	PANEL, CONTROL	1	1	XD
FOP-4-1	4	HZZ5-32545-000	HARNESS ASSY., SWITCH PANEL	1	1	
FOP-4-1	5	HZV5-32823-003	PLUG, INNER CONNECTOR	8	8	
FOP-4-1	6	HZV5-32824-003	PLUG, OUTER CONNECTOR	3	3	
FOP-4-1	7	HZZ3-35100-R11	SWITCH ASSY., COMBINATION	1	1	
FOP-4-1	8	HZV5-36180-033	SWITCH ASSY., EMERGENCY STOP	1	1	
FOP-4-1	9	HZV4-36182-651	CORD COMP., EMERGENCY	1	1	
FOP-4-1	10	HZV4-36187-652	CLIP, EMERGENCY LOCK	1	1	
FOP-4-1	11	HZZ5-37210-712	LAMP ASSY., INDICATION(4-LED)	1	1	
FOP-4-1	12	H341-38403-672	PLATE, WINKER BUZZER	1	1	
FOP-4-1	13	HZV5-38410-003	BUZZER COMP., WARNING	1	1	
FOP-4-1	14	HZZ5-38414-003	BRACKET, BUZZER	1	1	
FOP-4-1	15	HZW5-90109-000	SCREW, PAN, 5X40	4	4	
FOP-4-1	16	H921-90302-000	NUT, HEX., 16MM	1	1	
FOP-4-1	17	HSC2-90649-003	BAND, WIRE HARNESS(NATURAL)	1	1	(150MM)
FOP-4-1	18	HCO-94103-05400	WASHER, PLAIN, 5MM	4	4	
FOP-4-1	19	HCO-94111-05400	WASHER, SPRING, 5MM	4	4	



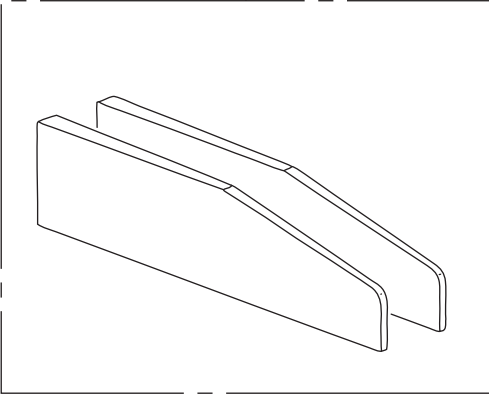




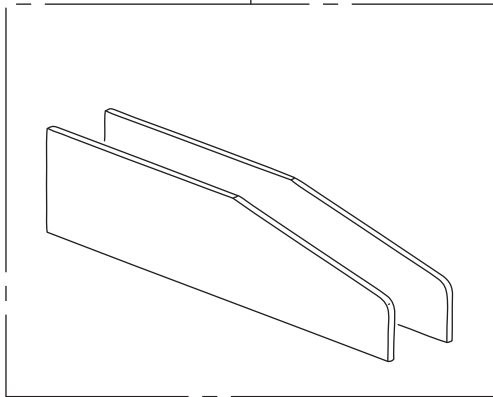




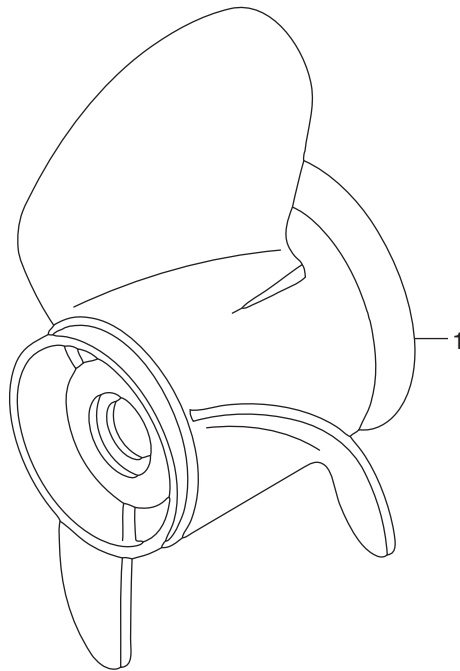
1



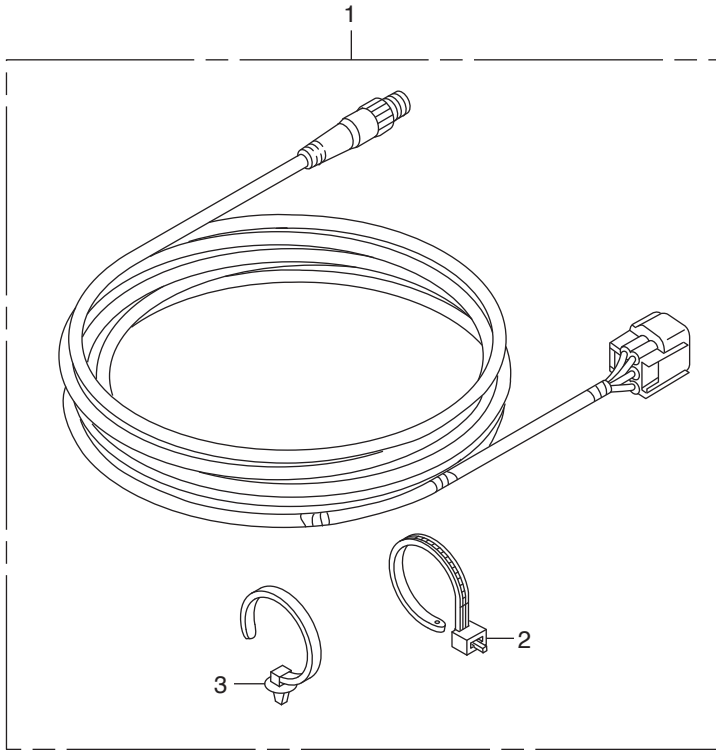
2







Ref.No.	Part No.	Description	Q'ty		Remarks	
			BFT200A	BFT225A		
FOP-10	1	HZY3-58130-T00	PROPELLER COMP., THREE BLADES	1	1	(14-1/2X15)(SUS)
FOP-10		HZY3-58130-T10	PROPELLER COMP., THREE BLADES	1	1	(14-1/4X17)(SUS)
FOP-10		HZY3-58130-T20	PROPELLER COMP., THREE BLADES	1	1	(14X19)(SUS)
FOP-10		HZY3-58130-T30	PROPELLER COMP., THREE BLADES	1	1	(14X21)(SUS)
FOP-10		HZY3-58130-T40	PROPELLER COMP., THREE BLADES	1	1	(14-1/2X23)(SUS)
FOP-10		HZY3-58130-T50	PROPELLER COMP., THREE BLADES	1	1	(14X25)(SUS)
FOP-10		HZY3-58130-V01ZA	PROPELLER COMP., THREE BLADES	1	1	(15-1/2X13)(AL) *NH283* STIN GRAY
FOP-10		HZY3-58130-V11ZA	PROPELLER COMP., THREE BLADES	1	1	(15-1/4X15)(AL) *NH283* STIN GRAY
FOP-10		HZY3-58130-V21ZA	PROPELLER COMP., THREE BLADES	1	1	(15X17)(AL) *NH283* STIN GRAY
FOP-10		HZY3-58130-V31ZA	PROPELLER COMP., THREE BLADES	1	1	(14-3/4X19)(AL) *NH283* STIN GRAY
FOP-10		HZY3-58130-V41ZA	PROPELLER COMP., THREE BLADES	1	1	(14-1/2X21)(AL) *NH283* STIN GRAY
FOP-10		HZY3-58130-V51ZA	PROPELLER COMP., THREE BLADES	1	1	(14-1/4X23)(AL) *NH283* STIN GRAY





# INDEX

<A>		
ARM ASSY., FR. INTAKE ROCKER .....	E-9-10-4	
ARM ASSY., INTAKE ROCKER .....	E-9-10-5	
ARM COMP. A, EX. ROCKER .....	E-9-10-6	
ARM COMP. B, EX. ROCKER .....	E-9-10-7	
ARM COMP., LINK JOINT .....	FOP-3-6-18	
ARM COMP., SHIFT LINK .....	FOP-3-6-14	
ARM, FUEL PUMP ROCKER .....	E-9-10-3	
ARM, NEUTRAL LOCK .....	FOP-3-4-5	
ARM, SHIFT .....	F-2-9	
ARM, THROTTLE .....	F-2-3	
ARMATURE COMP. ....	F-11-7	
<B>		
BAG, TOOL, 200MM. ....	F-13-13	
BALL, STEEL .....	E-21-6	
BALL, STEEL, #12(3/8) .....	F-5-31	
BALL, STEEL, #7(7/32) .....	F-5-30	
BAND .....	E-18-56	
BAND(BLACK 3.5X140) .....	F-11-3	
BAND(BLACK 3.5X140) .....	FOP-3-6-40	
BAND, AIR FLOW .....	E-15-9	
BAND, TUBE CLIP, 12.5MM .....	F-8-20-5	
BAND, UNDER CASE GROMMET .....	F-8-10-4	
BAND, WIRE .....	F-10-6	
BAND, WIRE .....	F-10-76	
BAND, WIRE HARNESS .....	F-7-11-20	
BAND, WIRE HARNESS(NATURAL) .....	FOP-4-25	
BAND, WIRE HARNESS(NATURAL) .....	FOP-4-1-17	
BASE .....	FOP-3-4-15	
BASE COMP., TIMING BELT .....	E-13-10	
BASE, L. INJECTOR .....	E-14-13	
BASE, R. INJECTOR .....	E-14-11	
BEARING A, CONNECTING ROD .....	E-7-7	
BEARING A, MAIN LOWER(BLACK) .....	E-7-11	
BEARING A, MAIN UPPER(BLACK) .....	E-7-9	
BEARING B, CONNECTING ROD .....	E-7-	
BEARING B, MAIN LOWER(BROWN) .....	E-7-	
BEARING B, MAIN UPPER(BROWN) .....	E-7-	
BEARING C, CONNECTING ROD .....	E-7-	
BEARING C, MAIN LOWER(GREEN) .....	E-7-	
BEARING C, MAIN UPPER(GREEN) .....	E-7-	
BEARING D, CONNECTING ROD .....	E-7-	
BEARING D, MAIN LOWER(YELLOW) .....	E-7-	
BEARING D, MAIN UPPER(YELLOW) .....	E-7-	
BEARING E, CONNECTING ROD .....	E-7-	
BEARING E, MAIN LOWER(PINK) .....	E-7-	
BEARING E, MAIN UPPER(PINK) .....	E-7-	
BEARING F, MAIN LOWER(RED) .....	E-7-	
BEARING F, MAIN UPPER(RED) .....	E-7-	
BEARING, ANGULAR, 50X90X30.2 .....	F-5-24	
BEARING, FR. GENERATOR .....	E-19-3	
BEARING, NEEDLE, 20X28X13 .....	E-6-10-43	
BEARING, NEEDLE, 32X42X30 .....	F-5-25	
BEARING, NEEDLE, 32X46X37 .....	F-4-24	
BEARING, RR. GENERATOR .....	E-19-2	
BEARING, TAPER ROLLER .....	F-4-25	
BEARING, TAPER, 50X90X21.5 .....	F-5-23	
BEARING, THRUST(F) .....	F-5-22	
BELT, A.C. GENERATOR .....	E-13-16	
BELT, TIMING(197YU26 B-333) .....	E-13-6	
BLOCK ASSY., CYLINDER .....	E-3-3	
BLOCK, NEUTRAL LOCK .....	FOP-3-6-6	
BLOCK, THROTTLE FRICTION .....	FOP-3-6-28	
BODY .....	E-18-3	
BOLT A, THROUGH .....	E-21-14	
BOLT KIT, SIDE REMOTE CONTROL .....	FOP-7-1	
BOLT, 1/4-28UNF .....	F-10-36	
BOLT, 3/8-24UNF .....	F-10-43	
BOLT, CONNECTING ROD .....	E-7-5	
BOLT, COVER LOCK .....	F-8-11	
BOLT, DRAIN PLUG .....	E-6-11	
BOLT, DRAIN PLUG .....	F-3-14	
BOLT, FLANGE, 10X110 .....	E-21-20	
BOLT, FLANGE, 10X120(SATO) .....	E-6-10-25	
BOLT, FLANGE, 10X40 .....	E-13-24	
BOLT, FLANGE, 10X43 .....	E-13-25	
BOLT, FLANGE, 10X55 .....	E-3-10-10	
BOLT, FLANGE, 10X70 .....	E-6-10-52	
BOLT, FLANGE, 10X90 .....	E-19-21	
BOLT, FLANGE, 10X90 .....	E-21-19	
BOLT, FLANGE, 12MM .....	E-5-14	
BOLT, FLANGE, 12X120 .....	E-6-10-53	
BOLT, FLANGE, 12X95 .....	E-3-26	
BOLT, FLANGE, 5X10 .....	E-14-10-17	
BOLT, FLANGE, 5X14 .....	E-13-10-9	
BOLT, FLANGE, 6X10 .....	E-14-22	
BOLT, FLANGE, 6X10 .....	E-18-2-26	
BOLT, FLANGE, 6X10 .....	E-20-11-8	
BOLT, FLANGE, 6X10 .....	F-7-11-15	
BOLT, FLANGE, 6X11 .....	F-2-24	
BOLT, FLANGE, 6X12 .....	E-18-50	
BOLT, FLANGE, 6X12 .....	E-18-2-27	
BOLT, FLANGE, 6X12 .....	F-2-25	
BOLT, FLANGE, 6X12 .....	F-7-3	
BOLT, FLANGE, 6X12 .....	F-7-11-14	
BOLT, FLANGE, 6X12 .....	F-8-10-29	
BOLT, FLANGE, 6X12 .....	F-10-37	
BOLT, FLANGE, 6X14 .....	E-3-33	
BOLT, FLANGE, 6X14 .....	E-5-22	
BOLT, FLANGE, 6X14 .....	E-14-21	
BOLT, FLANGE, 6X14 .....	E-18-49	
BOLT, FLANGE, 6X14 .....	F-8-10-27	
BOLT, FLANGE, 6X14(CT200) .....	E-1-20	
BOLT, FLANGE, 6X14(CT200) .....	E-13-19	
BOLT, FLANGE, 6X14(CT200) .....	F-2-22	
BOLT, FLANGE, 6X16 .....	E-3-31	
BOLT, FLANGE, 6X16 .....	E-18-48	
BOLT, FLANGE, 6X16 .....	E-19-23	
BOLT, FLANGE, 6X16 .....	F-2-23	
BOLT, FLANGE, 6X16 .....	F-4-17	
BOLT, FLANGE, 6X18 .....	E-3-34	
BOLT, FLANGE, 6X18 .....	E-5-23	
BOLT, FLANGE, 6X20 .....	E-20-11-9	
BOLT, FLANGE, 6X20 .....	F-7-30-7	
BOLT, FLANGE, 6X20 .....	F-8-10	
BOLT, FLANGE, 6X20 .....	F-8-10-30	
BOLT, FLANGE, 6X20 .....	F-10-34	
BOLT, FLANGE, 6X20 .....	F-10-40	
BOLT, FLANGE, 6X22 .....	E-3-35	
BOLT, FLANGE, 6X22 .....	E-3-10-8	
BOLT, FLANGE, 6X22 .....	E-6-10-30	
BOLT, FLANGE, 6X22 .....	E-13-22	
BOLT, FLANGE, 6X22 .....	E-14-10-14	
BOLT, FLANGE, 6X22 .....	E-15-19	
BOLT, FLANGE, 6X23 .....	F-10-35	
BOLT, FLANGE, 6X25 .....	E-14-19	
BOLT, FLANGE, 6X25 .....	E-18-47	
BOLT, FLANGE, 6X32 .....	E-3-10-9	
BOLT, FLANGE, 6X32 .....	E-6-10-31	
BOLT, FLANGE, 6X32 .....	E-14-10-16	
BOLT, FLANGE, 6X35 .....	E-1-21	
BOLT, FLANGE, 6X35 .....	E-3-32	
BOLT, FLANGE, 6X35 .....	E-4-16	
BOLT, FLANGE, 6X35 .....	E-14-20	
BOLT, FLANGE, 6X37 .....	E-3-10-11	
BOLT, FLANGE, 6X40 .....	E-6-10-37	
BOLT, FLANGE, 6X50 .....	E-4-19	
BOLT, FLANGE, 6X55 .....	E-3-10-14	
BOLT, FLANGE, 6X60 .....	E-4-18	
BOLT, FLANGE, 6X60 .....	E-15-20	
BOLT, FLANGE, 8X100 .....	E-6-10-33	
BOLT, FLANGE, 8X18 .....	F-7-11-16	
BOLT, FLANGE, 8X20 .....	E-3-10-7	
BOLT, FLANGE, 8X20 .....	E-9-14	
BOLT, FLANGE, 8X22 .....	F-8-10-31	
BOLT, FLANGE, 8X28 .....	E-9-15	
BOLT, FLANGE, 8X30 .....	E-5-24	
BOLT, FLANGE, 8X30 .....	E-6-10-35	
BOLT, FLANGE, 8X30 .....	E-9-10-21	
BOLT, FLANGE, 8X32 .....	E-1-22	
BOLT, FLANGE, 8X35 .....	E-18-57	
BOLT, FLANGE, 8X35 .....	FOP-3-6-50	
BOLT, FLANGE, 8X40 .....	E-4-20	
BOLT, FLANGE, 8X40 .....	E-9-10-22	
BOLT, FLANGE, 8X45 .....	E-1-34	
BOLT, FLANGE, 8X50 .....	E-3-38	
BOLT, FLANGE, 8X50 .....	E-14-10-18	
BOLT, FLANGE, 8X60 .....	E-4-17	
BOLT, FLANGE, 8X65 .....	E-15-21	
BOLT, FLANGE, 8X75 .....	E-3-36	
BOLT, FRICTION .....	FOP-3-6-29	
BOLT, HEX .....	F-11-32	
BOLT, HEX., 10X235 .....	F-10-41	
BOLT, HEX., 10X35 .....	F-3-20-31	
BOLT, HEX., 10X60 .....	E-6-10-29	
BOLT, HEX., 10X85 .....	E-6-10-28	
BOLT, HEX., 12X120 .....	E-6-10-26	
BOLT, HEX., 12X130 .....	F-10-46	
BOLT, HEX., 12X200 .....	F-10-39	
BOLT, HEX., 12X45 .....	F-5-13	
BOLT, HEX., 12X50 .....	F-3-20-37	
BOLT, HEX., 12X65 .....	E-6-10-27	
BOLT, HEX., 14X180 .....	F-3-20-32	
BOLT, HEX., 5X16 .....	FOP-3-6-69	
BOLT, HEX., 6X14 .....	F-10-42	
BOLT, HEX., 6X16 .....	E-6-10	
BOLT, HEX., 6X16 .....	F-2-26	
BOLT, HEX., 6X55 .....	F-3-34	
BOLT, HEX., 8X28 .....	E-6-9	
BOLT, HEX., 8X35 .....	E-6-8	
BOLT, HEX., 8X35 .....	F-8-10-26	
BOLT, HEX., 8X60 .....	FOP-2-9	
BOLT, IDLER .....	E-13-13	
BOLT, OIL CHECK .....	F-3-11	
BOLT, RECESSED .....	F-11-29	
BOLT, SEALING, 18MM .....	E-5-10	
BOLT, SEALING, 22MM .....	E-3-6	
BOLT, SEALING, 22MM .....	E-3-37	
BOLT, SEALING, 22MM .....	E-5-15	
BOLT, SEALING, 6MM .....	E-18-45	
BOLT, SOCKET(A) .....	F-11-30	
BOLT, SOCKET(B) .....	F-11-31	
BOLT, SOCKET, 6X16 .....	F-8-12	
BOLT, SPECIAL ADJUSTER .....	E-19-22	
BOLT, SPECIAL, 6X12 .....	F-3-20-38	
BOLT, SPECIAL, 6X17 .....	F-3-20-34	
BOLT, SPECIAL, 6X22 .....	F-3-20-36	
BOLT, SPECIAL, 6X220 .....	FOP-7-2	
BOLT, SPECIAL, 6X37 .....	F-3-20-39	
BOLT, SPECIAL, 8MM .....	E-5-13	
BOLT, SPECIAL, 8X29 .....	E-13-10-8	
BOLT, STUD, 10X45 .....	E-6-10-32	
BOLT, STUD, 12X40 .....	F-3-15	
BOLT, STUD, 6X68 .....	E-19-8	
BOLT, STUD, 8X28 .....	E-14-23	
BOLT, STUD, 8X45 .....	E-14-24	
BOLT, TENSIONER .....	E-19-24	
BOLT, TIMING BELT ADJUSTING .....	E-13-20	
BOLT, TIMING BELT COVER .....	E-13-10-7	
BOLT, TIMING BELT IDLER A .....	E-13-14	
BOLT, WASHER, 6X121 .....	E-6-10-34	
BOLT, WASHER, 8X60 .....	F-4-16	
BOLT-WASHER, 10X109 .....	E-3-27	
BOLT-WASHER, 10X32 .....	F-3-13	
BOLT-WASHER, 10X32 .....	F-10-38	
BOLT-WASHER, 10X47 .....	F-3-35	
BOLT-WASHER, 10X60 .....	E-3-28	
BOLT-WASHER, 10X80 .....	E-3-29	
BOLT-WASHER, 11X105 .....	E-3-30	
BOLT-WASHER, 12X163 .....	E-9-13	
BOLT-WASHER, 12X35 .....	E-13-23	
BOLT-WASHER, 16X49 .....	E-13-21	
BOLT-WASHER, 5X18 .....	E-14-10-15	
BOLT-WASHER, 5X30 .....	E-15-18	
BOLT-WASHER, 6X16 .....	F-2-42	
BOLT-WASHER, 6X25 .....	E-15-17	
BOLT-WASHER, 6X25 .....	F-3-20-57	
BOLT-WASHER, 6X25 .....	F-7-11-13	
BOLT-WASHER, 6X27 .....	E-20-3	
BOLT-WASHER, 6X27(CT200) .....	E-20-11-7	
BOLT-WASHER, 6X27(CT200) .....	F-7-11-12	
BOLT-WASHER, 6X29 .....	E-6-10-36	
BOLT-WASHER, 8X35 .....	E-18-46	
BOSS, FLYWHEEL .....	E-5-12	
BOX ASSY., JUNCTION .....	F-7-30-1	
BOX ASSY., REMOTE CONTROL(EU) .....	FOP-3-6-1	
BOX ASSY., REMOTE CONTROL(EU) .....	FOP-3-6-6	



BOX KIT, REMOTE CONTROL.....	FOP-3-1	CAP, UNDER COVER.....	F-3-20-24	CLIP, WIRE HARNESS, 25MM.....	E-20-11-10
BOX KIT, REMOTE CONTROL.....	FOP-3-2-1	CAP, WATER JOINT.....	F-3-20-4	CLIP, WIRE HARNESS, 25MM.....	F-3-20-50
BOX KIT, REMOTE CONTROL.....	FOP-3-4-1	CARTRIDGE, OIL FILTER.....	E-3-10-3	CLUTCH COMP., OVERRUNNING.....	E-21-3
BRACKET A, RR. COVER.....	F-8-10-8	CASE A, SILENCER.....	E-15-10	COCK ASSY., FUEL DRAIN.....	E-18-2-25
BRACKET ASSY.....	F-11-6	CASE ASSY., GEAR(L).....	F-3-10-	COIL COMP., PLUG HOLE.....	E-20-1
BRACKET B, HARNESS CLIP.....	E-3-20	CASE ASSY., GEAR(XL).....	F-3-10-1	COLLAR.....	E-18-23
BRACKET B, RR. COVER.....	F-8-10-9	CASE ASSY., OIL SEAL.....	E-3-2	COLLAR.....	E-18-26
BRACKET C, COUPLER.....	F-7-11-2	CASE B, SILENCER.....	E-15-11	COLLAR, 6.2X10X25.5.....	F-3-20-
BRACKET C, HARNESS CLIP.....	E-1-16	CASE COMP., MOUNT.....	E-6-10-22	COLLAR, 8.5X14.5.....	E-18-55
BRACKET, A.C. GENERATOR FUSE.....	E-20-11-3	CASE COMP., PUMP.....	E-18-27	COLLAR, 8.5X14.5.....	F-8-10-37
BRACKET, BUZZER.....	FOP-4-22	CASE KIT, GEAR.....	F-3-1	COLLAR, C.D.I. UNIT CASE.....	E-15-24
BRACKET, BUZZER.....	FOP-4-1-14	CASE, ELECTRONIC PARTS.....	E-20-11-1	COLLAR, C.D.I. UNIT CASE.....	E-20-5
BRACKET, CABLE.....	F-8-10-1	CASE, EXTENSION.....	F-3-20-10	COLLAR, C.D.I. UNIT CASE.....	E-20-11-11
BRACKET, CLIP B.....	E-1-15	CASE, EXTENSION.....	F-3-20-	COLLAR, C.D.I. UNIT CASE.....	F-7-11-25
BRACKET, CLIP B.....	E-3-19	CASE, FLUSH VALVE.....	E-6-10-7	COLLAR, DISTANCE.....	F-4-32
BRACKET, COUPLER D.....	E-13-17	CASE, GEAR.....	F-3-4	COLLAR, DISTANCE.....	FOP-2-15
BRACKET, ECU.....	E-20-11-5	CASE, POWER TILT RELAY.....	F-7-11-11	COLLAR, DISTANCE(A).....	FOP-7-3
BRACKET, FR.....	E-21-10	CASE, SWIVEL.....	F-10-20	COLLAR, DISTANCE(B).....	FOP-7-4
BRACKET, FR. COVER.....	F-8-10-5	CASE, SWIVEL.....	F-10-	COLLAR, DISTANCE, 6.5X9X3.....	F-8-15
BRACKET, HARNESS CLIP A.....	E-14-17	CIRCLIP, EXTERNAL, 15MM.....	F-5-29	COLLAR, DISTANCE, 6.5X9X5.....	F-3-20-53
BRACKET, HOOK.....	F-8-5	CIRCLIP, EXTERNAL, 39MM.....	F-10-66	COLLAR, DISTANCE, 6X10.5X25.....	F-3-20-54
BRACKET, L. SIDE COVER.....	F-8-10-7	CIRCLIP, INTERNAL.....	F-11-36	COLLAR, DISTANCE, 6X10X43.5.....	FOP-3-6-68
BRACKET, L. STERN.....	F-10-25	CIRCLIP, INTERNAL, 43.....	F-3-20-49	COLLAR, LINK JOINT.....	FOP-3-6-67
BRACKET, LINK JOINT.....	FOP-3-6-19	CLAMP.....	F-6-5	COLLAR, LOWER CYLINDER.....	F-10-33
BRACKET, NEUTRAL SWITCH.....	F-2-19	CLAMP.....	F-6-8	COLLAR, MOUNTING(6MM).....	F-7-11-23
BRACKET, R. SIDE COVER.....	F-8-10-6	CLAMP.....	FOP-1-2	COLLAR, ORIFICE.....	F-11-48
BRACKET, R. STERN.....	F-10-24	CLAMP, CHECK VALVE.....	E-18-10-1	COLLAR, SHIFT SLIDER.....	F-2-11
BRACKET, REMOTE CONTROL.....	FOP-3-12	CLAMP, FUEL TUBE.....	E-18-10-22	COLLAR, SLIDING PLATE.....	FOP-3-6-16
BRACKET, REMOTE CONTROL.....	FOP-3-2-13	CLAMP, HARNESS.....	FOP-3-6-9	COLLAR, STEERING ROD.....	F-10-71
BRACKET, RR.....	E-21-11	CLAMP, HOSE.....	E-18-10-9	COLLAR, TIMING BELT COVER.....	E-13-10-10
BRACKET, SENSOR CORD.....	E-14-10-8	CLAMP, POWER TILT CORD.....	FOP-3-6-31	CONTROL UNIT, ELECTRONIC.....	E-20-11-4
BRACKET, SHIFT LINK.....	F-2-16	CLAMP, TUBE.....	F-10-21	CONTROL UNIT, ELECTRONIC.....	E-20-11-
BRACKET, SOLENOID VALVE.....	E-1-7	CLAMP, TUBE(D10.5).....	E-4-21	CORD ASSY., INDICATOR(20FT).....	FOP-4-5
BRACKET, TILTING.....	F-10-28	CLAMP, TUBE(D10.5).....	E-18-10-19	CORD ASSY., INDICATOR(25FT).....	FOP-4-
BREAKER ASSY.....	F-11-1	CLAMP, TUBE(D10.7).....	E-18-10-18	CORD ASSY., INDICATOR(30FT).....	FOP-4-
BRUSH ASSY.....	F-11-2	CLAMP, TUBE(D12).....	E-18-10-20	CORD COMP., EMERGENCY.....	FOP-3-6-42
BRUSH SET.....	E-21-7	CLAMP, TUBE(D21).....	E-4-23	CORD COMP., EMERGENCY.....	FOP-4-16
BUFFER, PLATE.....	E-18-2-8	CLAMP, TUBE(D29).....	E-4-22	CORD COMP., EMERGENCY.....	FOP-4-1-9
BUSH A, COVER LOCK.....	F-8-10-15	CLAMP, TUBE(D32.5).....	E-1-24	CORD, A.C. GENERATOR.....	F-7-11-8
BUSH A, THRUST RECEIVE.....	F-10-31	CLAMP, WIRE, 8MM.....	E-18-2-31	CORD, SWITCH.....	E-3-21
BUSH B, COVER LOCK.....	F-8-10-16	CLAMPER, SENSOR TUBE.....	F-10-12	COTTER, VALVE(FUJI VALVE).....	E-9-10-20
BUSH B, THRUST RECEIVE.....	F-10-32	CLIP A, WIRE.....	E-1-17	COVER ASSY.....	FOP-3-4-11
BUSH COMP., VERTICAL SHAFT.....	F-3-20-12	CLIP D, SPEEDOMETER CABLE.....	E-14-18	COVER ASSY., CRANKCASE UPPER.....	E-3-1
BUSH, INSULATION.....	E-19-4	CLIP D, WASHER TUBE.....	E-1-32	COVER ASSY., ENGINE.....	F-8-3
BUSH, INSULATION.....	E-19-18	CLIP, 10.7MM.....	F-11-35	COVER ASSY., L. TIMING BELT.....	E-13-10-3
BUSH, LOWER CYLINDER.....	F-11-25	CLIP, BRAKE PIPE.....	F-2-21	COVER ASSY., R. TIMING BELT.....	E-13-10-2
BUSH, MOTOR CODE.....	F-11-20	CLIP, EMERGENCY LOCK.....	FOP-3-6-43	COVER B, TERMINAL.....	F-7-11-6
BUSH, SHIFT ARM.....	F-2-15	CLIP, EMERGENCY LOCK.....	FOP-4-17	COVER B, TERMINAL(L).....	F-7-11-5
BUSH, SWIVEL CASE.....	F-10-23	CLIP, EMERGENCY LOCK.....	FOP-4-1-10	COVER B, TERMINAL.....	E-18-4
BUSH, SWIVEL CASE.....	F-11-12	CLIP, HARNESS.....	E-1-27	COVER COMP., FUSE.....	F-7-30-2
BUSH, TILT ARM.....	F-10-27	CLIP, HARNESS.....	E-18-53	COVER COMP., INTAKE MANIFOLD.....	E-14-10-5
BUTTON, THROTTLE.....	FOP-3-9	CLIP, HARNESS.....	F-8-10-35	COVER COMP., L. UNDER ENGINE.....	F-3-20-21
BUTTON, THROTTLE.....	FOP-3-2-10	CLIP, HARNESS BAND(BLACK).....	E-3-48	COVER COMP., R. UNDER ENGINE.....	F-3-20-20
BUTTON, THROTTLE.....	FOP-3-4-8	CLIP, HARNESS BAND(BLACK).....	E-13-10-11	COVER, BEARING.....	E-19-5
BUZZER COMP., WARNING.....	FOP-3-6-46	CLIP, HARNESS BAND(BLACK).....	F-2-44	COVER, DRAIN PLUG(L).....	F-3-20-
BUZZER COMP., WARNING.....	FOP-4-21	CLIP, HARNESS BAND(BLACK).....	F-7-6	COVER, DRAIN PLUG(XL).....	F-3-20-13
BUZZER COMP., WARNING.....	FOP-4-1-13	CLIP, HARNESS BAND(BLACK).....	F-7-11-24	COVER, DUAL GRIP.....	FOP-3-2-8
<C>		CLIP, HARNESS BAND(BLACK).....	F-8-10-36	COVER, FLUSH VALVE.....	E-6-10-6
		CLIP, HARNESS BAND(BLACK).....	FOP-12-3	COVER, FR.....	F-8-7
CABLE ASSY., POWER TILT RELAY.....	F-7-11-7	CLIP, INJECTOR.....	E-14-2	COVER, FR. SEPARATE.....	F-3-20-9
CABLE ASSY., REMOTE CONTROL(B).....	FOP-3-6-34	CLIP, PISTON PIN.....	E-7-4	COVER, GRIP.....	FOP-3-4-4
CABLE ASSY., STARTER.....	F-7-11-3	CLIP, SENSOR HOSE.....	E-1-18	COVER, IMPELLER.....	F-4-4
CABLE ASSY., SWITCH PANEL.....	FOP-4-10	CLIP, SHIFT WIRE.....	E-1-19	COVER, IMPELLER.....	FOP-2-6
CABLE ASSY., SWITCH PANEL.....	FOP-4-	CLIP, TUBE.....	E-6-10-1	COVER, L. CAMSHAFT THRUST.....	E-9-8
CABLE ASSY., SWITCH PANEL.....	FOP-4-	CLIP, TUBE.....	E-18-2-2	COVER, L. CYLINDER HEAD.....	E-1-3
CABLE COMP. A, COVER LOCK.....	F-8-10-12	CLIP, TUBE.....	E-18-10-10	COVER, L. GRIP.....	FOP-3-5
CABLE COMP. B, COVER LOCK.....	F-8-10-13	CLIP, TUBE(B10).....	E-6-10-40	COVER, L. GRIP.....	FOP-3-2-6
CABLE COMP., THROTTLE.....	E-15-13	CLIP, TUBE(B12).....	E-1-26	COVER, L. LOWER MOUNTING.....	F-3-20-27
CABLE SET, PANEL INDICATOR.....	FOP-4-2	CLIP, TUBE(B12).....	E-18-2-29	COVER, L. LOWER MOUNTING.....	F-3-20-
CABLE SET, PANEL INDICATOR.....	FOP-4-	CLIP, TUBE(B12.5).....	E-6-10-41	COVER, L. RELIEF VALVE.....	E-6-10-17
CABLE SET, PANEL INDICATOR.....	FOP-4-	CLIP, TUBE(B12.5).....	E-18-2-30	COVER, L. WATER JACKET.....	E-6-10-21
CAMSHAFT, L.....	E-9-10-2	CLIP, TUBE(B12.5).....	F-3-20-48	COVER, LOCK ARM.....	FOP-3-4-6
CAMSHAFT, L.....	E-9-10-1	CLIP, TUBE(B8).....	E-18-2-28	COVER, NEUTRAL SWITCH.....	F-2-20
CAMSHAFT, R.....	E-9-10-1	CLIP, TUBE(B8).....	F-10-65	COVER, OIL LEVEL GAUGE.....	E-3-14
CAMSHAFT, R.....	E-9-10-	CLIP, WIRE.....	E-18-10-21	COVER, OIL PUMP.....	E-5-4
CAP COMP., OIL TANK.....	F-11-28	CLIP, WIRE HARNESS.....	E-18-2-33	COVER, PLUG MAINTENANCE.....	F-3-20-19
CAP, BOLT, 10MM.....	E-3-10-12	CLIP, WIRE HARNESS.....	F-7-4	COVER, PUMP.....	E-18-28
CAP, GRIP.....	FOP-3-7	CLIP, WIRE HARNESS.....	F-7-11-21	COVER, PUMP(A).....	E-18-29
CAP, GRIP.....	FOP-3-2-9	CLIP, WIRE HARNESS.....	F-7-11-22	COVER, R. CAMSHAFT THRUST.....	E-9-7
CAP, HANDLE.....	FOP-3-6-5	CLIP, WIRE HARNESS.....	F-10-67	COVER, R. CYLINDER HEAD.....	E-1-1
CAP, L. SIDE COVER.....	F-8-10-24	CLIP, WIRE HARNESS.....	FOP-3-6-66	COVER, R. LOWER MOUNTING.....	F-3-20-26
CAP, OIL(YELLOW).....	E-3-10-4	CLIP, WIRE HARNESS, 10MM.....	E-14-26	COVER, R. LOWER MOUNTING.....	F-3-20-
CAP, SWITCH.....	FOP-3-8	CLIP, WIRE HARNESS, 25MM.....	E-18-2-32	COVER, R. RELIEF VALVE.....	E-6-10-13
CAP, TIMING BELT TENSIONER.....	E-13-8				

COVER, R. WATER JACKET .....	E-6-10-19	GROMMET, ELECTRONIC PARTS CASE ...	E-20-4	JOINT ASSY (INLET) .....	F-6-2
COVER, STARTER TERMINAL .....	F-7-11-4	GROMMET, ELECTRONIC PARTS CASE ...	E-20-11-2	JOINT ASSY (OUTLET) .....	F-6-3
COVER, THERMOSTAT .....	E-4-11	GROMMET, ELECTRONIC PARTS CASE ...	F-7-11-1	JOINT ASSY, OIL PIPE .....	E-3-12
COVER, UPPER MOUNT .....	F-10-18	GROMMET, EXTENSION CASE .....	F-4-13	JOINT B, WASHER TUBE(MITSUBA) .....	F-10-8
COVER, WATER JACKET .....	E-18-12	GROMMET, GEAR CASE .....	F-3-5	JOINT SET .....	E-18-6
CRANKCASE COMP. ....	E-3-10-1	GROMMET, L. IDLE PORT .....	F-3-20-29	JOINT, DRIVE .....	F-11-16
CRANKSHAFT COMP. ....	E-7-8	GROMMET, POWER TILT SWITCH .....	F-3-20-8	JOINT, FUEL PIPE .....	E-14-8
CUP .....	E-18-2-17	GROMMET, R. IDLE PORT .....	F-3-20-28	JOINT, FUEL PIPE .....	E-18-38
CUP SET, WATER SEPARATOR .....	E-18-2-7	GROMMET, RELAY .....	F-7-11-10	JOINT, FUEL RETURN .....	E-18-10-11
<D>		GROMMET, RELAY BRACKET .....	E-20-11-6	JOINT, WATER HOSE .....	F-3-20-2
DAMPER, HOOK .....	F-8-6	GROMMET, SILENCER .....	E-15-12	JOINT, FUEL TUBE .....	F-8-20-6
DOWEL PIN, 10X12 .....	E-14-30	GROMMET, TIMING BELT COVER .....	E-13-10-1	<K>	
DOWEL PIN, 13X37 .....	E-3-39	GROMMET, UNDER CASE .....	E-15-16	KEY, 4.5X24 .....	E-13-26
DOWEL PIN, 14X15 .....	E-5-16	GROMMET, UNDER CASE(C) .....	F-3-20-7	KEY, SPECIAL .....	E-13-27
DOWEL PIN, 14X15 .....	E-6-10-42	GROMMET, UNDER CASE(C) .....	F-11-10	KEY, WOODRUFF .....	F-4-22
DOWEL PIN, 16X22 .....	E-9-18	GROMMET, VAPOR SEPARATOR .....	E-18-34	KEY, WOODRUFF .....	FOP-2-11
DOWEL PIN, 5X8 .....	E-3-52	GROMMET, VAPOR SEPARATOR .....	E-18-35	KIT, CABLE(NMEA)(6FT) .....	FOP-12-1
DOWEL PIN, 6X10 .....	E-3-51	GROMMET, WATER CHECK .....	F-3-20-30	<L>	
DOWEL PIN, 6X10 .....	E-9-17	GROMMET, WATER TUBE .....	E-6-6	LABEL, FUSE & OIL CAUTION .....	F-12-19
DOWEL PIN, 6X10 .....	E-9-21	GUIDE COMP., ROD .....	F-11-17	LABEL, WARNING OPERATOR(EC) .....	F-12-15
DOWEL PIN, 6X10 .....	E-13-28	GUIDE, EX. VALVE(OS) .....	E-9-3	LABEL, WARNING OPERATOR(EU) .....	F-12-16
DOWEL PIN, 6X10 .....	E-15-26	GUIDE, IN. VALVE(OS) .....	E-9-2	LAMP ASSY., INDICATION .....	FOP-3-6-44
DOWEL PIN, 6X10 .....	F-3-25	GUIDE, L. EX. ....	E-6-10-5	LAMP ASSY., INDICATION(4-LED) .....	FOP-4-19
DOWEL PIN, 6X10 .....	F-3-20-51	GUIDE, R. EX. ....	E-6-10-2	LAMP ASSY., INDICATION(4-LED) .....	FOP-4-1-11
DOWEL PIN, 6X10 .....	F-4-23	<H>		LEVER SET .....	E-21-18
DOWEL PIN, 8X14 .....	E-3-10-17	HANDLE, REMOTE CONTROL .....	FOP-3-4	LEVER, COVER LOCK .....	F-8-10-14
DRIVER 3, MINUS SCREW(NO.2) .....	F-13-8	HANDLE, REMOTE CONTROL .....	FOP-3-2-5	LEVER, HANDLE LOCK .....	FOP-3-6-3
DUCT, ENGINE COVER .....	F-8-9	HANDLE, REMOTE CONTROL .....	FOP-3-4-3	LEVER, IDLE .....	FOP-3-6-22
<E>		HANDLE, REMOTE CONTROL .....	FOP-3-6-2	LINER, PUMP .....	F-4-3
END COVER, RR. ....	E-19-17	HANGER, ENGINE .....	E-3-10-2	LINER, PUMP .....	FOP-2-5
END, NIPPLE .....	F-10-10	HANGER, ENGINE .....	E-9-1	LINER, SWIVEL CASE .....	F-10-22
E-RING, 10MM .....	F-4-33	HARNESS ASSY., MAIN WIRE .....	F-7-1	LOCK ASSY., FR. ....	F-8-10-22
E-RING, 12MM .....	F-2-41	HARNESS ASSY., MAIN WIRE .....	F-7-	LOCK COMP., SIDE .....	F-8-10-23
E-RING, 15MM .....	F-11-49	HARNESS ASSY., SWITCH PANEL .....	FOP-4-9	<M>	
E-RING, 3MM .....	FOP-3-6-78	HARNESS ASSY., SWITCH PANEL .....	FOP-4-1-4	MANIFOLD COMP., INTAKE .....	E-14-10-3
E-RING, 4MM .....	F-2-40	HARNESS COMP. ....	E-18-41	MANIFOLD COMP., L. EX. ....	E-4-4
E-RING, 4MM .....	FOP-3-6-79	HEAD COMP., CYLINDER .....	E-9-5	MANIFOLD COMP., R. EX. ....	E-4-2
E-RING, 6MM .....	F-8-10-38	HOLDER .....	E-18-11	MARK, FAST IDLE .....	FOP-3-6-49
E-RING, 6MM .....	FOP-3-36	HOLDER ASSY., BRUSH .....	E-19-1	MARK, FLUSH MOUNT .....	FOP-3-4-19
E-RING, 6MM .....	FOP-3-2-41	HOLDER COMP., BRUSH .....	E-21-9	MARK, FR. EMBLEM(TOHATSU) .....	F-12-8
E-RING, 6MM .....	FOP-3-4-28	HOLDER, BEARING .....	F-5-12	MARK, HANDLE FLUSH MOUNT .....	FOP-3-4-18
E-RING, 7MM .....	FOP-3-6-80	HOLDER, NEUTRAL LOCK .....	FOP-3-4-14	MARK, L. SIDE STRIPE .....	F-12-22
EXTENSION, OIL FILLER .....	E-3-10-5	HOLDER, OIL FILTER .....	E-3-10-6	MARK, OPERATOR CAUTION .....	F-12-21
<F>		HOLDER, PROPELLER SHAFT .....	F-5-11	MARK, R. SIDE STRIPE .....	F-12-6
FILTER .....	E-18-2-14	HOLDER, ROD(A) .....	F-8-20-3	MARK, REMOTE CONTROL(DUAL) .....	FOP-3-2-24
FILTER ASSY., SPOOL VALVE .....	E-3-17	HOLDER, SEAL .....	F-2-17	MARK, REMOTE CONTROL(SINGLE) .....	FOP-3-21
FILTER ASSY., SPOOL VALVE .....	E-3-	HOLDER, SHIFT ROD .....	F-4-12	MARK, RR.(BFT200) .....	F-12-3
FILTER B. ....	F-11-18	HOLDER, STRIKER .....	F-8-10-21	MARK, RR.(BFT225) .....	F-12-4
FLOAT .....	E-18-2-16	HOSE .....	F-6-6	MESH, FUEL FILTER .....	E-14-4
FLOAT SET .....	E-18-2	HOSE .....	F-6-7	METAL COMP., ANODE .....	F-3-10
FLYWHEEL COMP. ....	E-5-11	HOSE A, PRESSURE REGULATOR .....	E-18-10-12	METAL KIT, ANODE .....	F-10-1
FRAME COMP., MOUNTING(L) .....	F-10-	HOSE B, PRESSURE REGULATOR .....	E-18-10-13	METAL, ANODE .....	E-3-4
FRAME COMP., MOUNTING(XL) .....	F-10-13	HOSE COMP., FUEL .....	E-14-9	METAL, ANODE .....	E-3-5
FUSE, BLOCK(150A) .....	F-7-30-3	HOSE COMP., FUEL JOINT .....	E-14-10	METAL, ANODE .....	E-4-1
FUSE, MINI(10A) .....	F-7-30-9	HOSE KIT, RIGGING .....	FOP-1-1	METER LEAD WIRE .....	FOP-5-1-8
FUSE, MINI(15A) .....	F-7-30-10	HOUSING ASSY., L. INNER .....	FOP-3-3	MOTION COMP., LOST .....	E-9-10
FUSE, MINI(30A) .....	F-7-30-11	HOUSING ASSY., L. INNER .....	FOP-3-2-3	MOTION COMP., LOST .....	E-9-
<G>		HOUSING ASSY., R. INNER .....	FOP-3-2-4	MOTOR ASSY., POWER TILT .....	F-11-5
GASKET B, IMPELLER .....	F-4-5	HOUSING ASSY., R. INNER .....	FOP-3-4-2	MOTOR ASSY., STARTER .....	E-21-1
GASKET B, IMPELLER .....	FOP-2-7	HOUSING COMP., REMOTE CONTROL .....	FOP-3-13	MOUNT COMP., LOWER RUBBER .....	F-3-20-17
GASKET COMP., CYLINDER HEAD .....	E-9-9	HOUSING COMP., REMOTE CONTROL .....	FOP-3-2-14	MOUNT COMP., UPPER RUBBER .....	F-10-15
GASKET, EAC VALVE .....	E-15-5	HOUSING COMP., REMOTE CONTROL .....	FOP-3-6-10	<N>	
GASKET, EX. PIPE .....	E-6-4	HOUSING COMP., REMOTE CONTROL .....	FOP-3-6-11	NIPPLE, GREASE .....	F-10-68
GASKET, FR. INJECTOR BASE .....	E-14-12	HOUSING, IMPELLER .....	F-4-2	NIPPLE, SENSOR .....	F-10-11
GASKET, INTAKE MANIFOLD .....	E-14-15	HOUSING, IMPELLER .....	FOP-2-4	NUT, CASTLE, 18MM .....	F-5-14
GASKET, INTAKE MANIFOLD .....	E-14-10-1	HOUSING, LEAD .....	FOP-3-14	NUT, FLANGE CAP, 10MM .....	E-3-10-15
GASKET, L. EX. MANIFOLD .....	E-4-5	HOUSING, LEAD .....	FOP-3-2-15	NUT, FLANGE, 10MM .....	F-10-51
GASKET, MOUNT CASE .....	E-6-10-23	HOUSING, LOWER CENTER MOUNTING .....	F-10-17	NUT, FLANGE, 12MM .....	F-10-48
GASKET, R. EX. MANIFOLD .....	E-4-3	HOUSING, LOWER CENTER MOUNTING .....	F-10-	NUT, FLANGE, 5MM .....	FOP-4-4
GASKET, RR. INJECTOR BASE .....	E-14-14	HOUSING, LOWER MOUNTING .....	F-3-20-16	NUT, FLANGE, 5MM .....	FOP-4-1-2
GASKET, THROTTLE BODY .....	E-15-2	HOUSING, REMOTE CONTROL BOX(C) .....	FOP-3-6-12	NUT, FLANGE, 8MM .....	E-14-25
GAUGE COMP., OIL LEVEL .....	E-3-53	HOUSING, UPPER MOUNTING .....	F-10-14	NUT, FLANGE, 8MM .....	E-14-10-19
GEAR ASSY., INTERNAL .....	E-21-16	HOUSING, WATER PUMP .....	F-4-6	NUT, FLANGE, 8MM .....	E-19-25
GEAR ASSY., PLANETARY .....	E-21-4	<I>		NUT, HEX., 12MM .....	F-10-72
GEAR SET .....	F-5-8	IDLER B, TIMING BELT .....	E-13-15	NUT, HEX., 16MM .....	F-3-20-41
GEAR, BEVEL(RVS. 28T) .....	F-5-9	IDLER, TIMING BELT(KOYO SEIKO) .....	E-13-12	NUT, HEX., 16MM .....	FOP-3-6-54
GENERATOR ASSY., A.C. ....	E-19-14	IMPELLER, PUMP .....	F-4-1	NUT, HEX., 16MM .....	FOP-4-24
GRIP, REMOTE CONTROL HANDLE .....	FOP-3-6	IMPELLER, PUMP .....	FOP-2-3	NUT, HEX., 16MM .....	FOP-4-1-16
GRIP, REMOTE CONTROL HANDLE .....	FOP-3-2-7	INJECTOR ASSY., FUEL .....	E-14-1	NUT, HEX., 18MM .....	F-4-19
GRIP, REMOTE CONTROL HANDLE .....	FOP-3-6-4	INSULATOR .....	E-18-31	NUT, HEX., 20MM .....	F-2-27
GRIP, SCREW DRIVER .....	F-13-3	INSULATOR COMP. ....	E-18-30	NUT, HEX., 5MM .....	FOP-3-29
GROMMET A, UNDER CASE .....	F-8-10-3	<J>		NUT, HEX., 5MM .....	FOP-3-35
GROMMET, AIR CLEANER CASE .....	F-8-1	JOINT A, VACUUM TUBE .....	E-14-10-7	NUT, HEX., 5MM .....	FOP-3-2-33

NUT, HEX., 5MM	FOP-3-2-34	O-RING, 7.8X1.9(ARAI)	E-18-54	PLATE, REMOTE CONTROL(EU)	FOP-3-6-47
NUT, HEX., 5MM	FOP-3-2-40	O-RING, 8.8X2.4	E-3-11	PLATE, REMOTE CONTROL(REVERSE)	FOP-3-6-48
NUT, HEX., 5MM	FOP-3-6-77	O-RING, 9.5X1.9	E-3-42	PLATE, RUBBER SETTING	F-3-2
NUT, HEX., 6MM	E-19-27	O-RING, 9.5X1.9	E-4-25	PLATE, SHIFT	F-5-7
NUT, HEX., 6MM	F-8-18	O-RING, PRESSURE REGULATOR	E-14-7	PLATE, SPRING SETTING	FOP-3-6-23
NUT, HEX., 6MM	FOP-3-4-25	O-RING, TIMING BELT TENSIONER	E-13-11	PLATE, STARTER CABLE	F-8-10-2
NUT, HEX., 6MM	FOP-3-6-55	O-RING, WATER PUMP	F-4-29	PLATE, TIMING BELT GUIDE	E-13-2
NUT, HEX., 6MM	FOP-3-6-76	O-RING, WATER PUMP	FOP-2-12	PLATE, WATER TUBE	E-6-7
NUT, LOCK, 64MM	F-4-18	O-RING, WATER PUMP HOUSING	F-4-30	PLATE, WINKER BUZZER	FOP-3-6-45
NUT, PULLEY LOCK	E-19-7	O-RING, WATER PUMP HOUSING	FOP-2-13	PLATE, WINKER BUZZER	FOP-4-20
NUT, SELF-LOCK(25X2.0)	F-10-50	<P>		PLATE, WINKER BUZZER	FOP-4-1-12
NUT, SELF-LOCK(3/8-24UNF)	F-10-52	PACKING	E-21-17	PLUG, BLIND, 20MM	F-8-2
NUT, SELF-LOCK(7/8-14UNF)	F-10-49	PACKING	F-11-47	PLUG, FUEL TUBE	F-8-20-2
NUT, SELF-LOCK, 12MM	F-3-22	PACKING, DUAL	FOP-3-2-19	PLUG, HOLE, 5MM	F-3-20-55
NUT, SELF-LOCK, 14MM	F-3-20-42	PACKING, FLASH VALVE	E-6-10-16	PLUG, INNER CONNECTOR	FOP-3-6-35
NUT, SELF-LOCK, 5MM	F-3-20	PACKING, HEAD COVER	E-1-2	PLUG, INNER CONNECTOR	FOP-4-1-1
NUT, SELF-LOCK, 6MM	F-3-19	PACKING, INTAKE MANIFOLD UP	E-14-10-6	PLUG, INNER CONNECTOR	FOP-4-1-5
NUT, SELF-LOCK, 6MM	F-10-47	PACKING, OIL HOLE	E-3-9	PLUG, OUTER CONNECTOR	FOP-3-6-36
NUT, TAPPET ADJUSTING	E-9-10-23	PACKING, OIL LEVEL GAUGE	E-3-15	PLUG, OUTER CONNECTOR	FOP-4-1-2
NUT, TAPPET ADJUSTING	E-9-10-24	PACKING, OIL PAN	E-6-2	PLUG, OUTER CONNECTOR	FOP-4-1-6
NUT, WATER MOUTH	F-3-20-1	PACKING, OIL PUMP BODY	E-5-2	PLUG, SPARK(IFZR6K-11E)(NGK)	E-20-2
NUT-WASHER, 5MM	E-19-26	PACKING, RELIEF VALVE	E-6-10-15	PRIMER BULB	F-6-4
NUT-WASHER, 6MM	F-7-11-18	PACKING, RELIEF VALVE COVER	E-6-10-14	PRIMER BULB ASSY	F-6-1
NUT-WASHER, 8MM	F-7-11-17	PACKING, SINGLE	FOP-3-18	PROPELLER COMP., THREE BLADES	FOP-10-1
<O>		PACKING, THROTTLE BODY	E-14-10-2	PROPELLER COMP., THREE BLADES	FOP-10-10
OIL SEAL	F-11-37	PACKING, WATER JACKET COVER	E-6-10-20	PROPELLER COMP., THREE BLADES	FOP-10-10
OIL SEAL, 14X26X6	F-2-37	PAN, OIL	E-6-1	PROPELLER COMP., THREE BLADES	FOP-10-10
OIL SEAL, 31X46X7(NOK)	E-5-18	PANEL ASSY., INDICATOR(4-LED)	FOP-4-18	PROPELLER COMP., THREE BLADES	FOP-10-10
OIL SEAL, 39.5X52X6(ARAI)	F-10-69	PANEL ASSY., SWITCH	FOP-4-6	PROPELLER COMP., THREE BLADES	FOP-10-10
OIL SEAL, 39X53X8(NOK)	E-9-19	PANEL ASSY., SWITCH	FOP-4-	PROPELLER COMP., THREE BLADES	FOP-10-10
OIL SEAL, 41X66X8	E-3-40	PANEL KIT, SWITCH(4-LED)	FOP-4-1-1	PROPELLER COMP., THREE BLADES	FOP-10-10
OIL SEAL, 46X60X9	E-5-17	PANEL KIT, SWITCH(4-LED)	FOP-4-1-	PROPELLER COMP., THREE BLADES	FOP-10-10
OIL SEAL, 80X98X10(ARAI)	E-3-41	PANEL KIT, SWITCH(B)(4-LED)	FOP-4-1	PROPELLER COMP., THREE BLADES	FOP-10-10
ORIFICE ASSY., OIL CONTROL	E-3-10	PANEL KIT, SWITCH(B)(4-LED)	FOP-4-	PROPELLER COMP., THREE BLADES	FOP-10-10
O-RING	E-14-10-13	PANEL, CONTROL	FOP-4-7	PULLER, MINI FUSE	F-7-30-4
O-RING	E-15-23	PANEL, CONTROL	FOP-4-	PULLEY	E-19-6
O-RING	E-18-13	PANEL, CONTROL	FOP-4-8	PULLEY COMP., L. TIMING BELT	E-13-5
O-RING	E-18-14	PANEL, CONTROL	FOP-4-1-3	PULLEY COMP., R. TIMING BELT	E-13-4
O-RING	E-18-15	PANEL, CONTROL	FOP-4-1-	PULLEY, CRANKSHAFT	E-13-3
O-RING	E-18-16	PIN B, DOWEL, 10X16	E-5-21	PULLEY, TIMING BELT DRIVE	E-13-1
O-RING	E-18-17	PIN B, DOWEL, 10X16	E-6-10-51	PUMP ASSY.	F-11-14
O-RING	E-18-18	PIN, 6X6	FOP-3-6-64	PUMP ASSY., FUEL	E-1-9
O-RING	E-18-19	PIN, LINK	F-2-35	PUMP ASSY., OIL	E-5-1
O-RING	E-18-2-21	PIN, LOCK, 6MM	FOP-3-6-63	PUMP KIT, IMPELLER	FOP-2-1
O-RING	E-18-2-22	PIN, PISTON	E-7-3	PUMP KIT, IMPELLER	FOP-2-2
O-RING	E-18-2-24	PIN, SHIFTER, 8X50	F-5-2	PUMP UNIT SET A, FUEL	E-18-7
O-RING	F-3-32	PIN, SNAP, 6MM	F-2-34	PUMP UNIT SET B, FUEL	E-18-9
O-RING	F-4-28	PIN, SPLIT, 4.0	F-3-26	PUMP UNIT, FUEL	E-18-37
O-RING SET, 3.5X31.7	F-11-45	PIN, SPLIT, 4.0	F-5-21	<R>	
O-RING, 1.8X69.6	F-11-39	PIN, SPRING, 3X20	F-10-73	RECEIVER, THRUST	F-10-30
O-RING, 1.8X7.7	F-11-41	PIN, UPPER CYLINDER	F-11-26	RECTIFIER ASSY.	E-19-19
O-RING, 1.9X11	F-11-42	PIN, VERTICAL SHAFT	E-13-18	REGULATOR ASSY.	E-19-20
O-RING, 110X3.1	F-3-33	PIPE COMP., L. EX.	E-6-5	REGULATOR ASSY., PRESSURE	E-14-6
O-RING, 110X3.1	F-5-28	PIPE COMP., L. FUEL	E-14-5	RELAY ASSY., FUEL PUMP(DENSO)	F-7-30-5
O-RING, 13X1.5(ARAI)	E-3-46	PIPE COMP., R. EX.	E-6-3	RELAY ASSY., POWER TILT	F-7-11-9
O-RING, 15.54X2.26	F-10-70	PIPE, FUEL	E-18-10-6	RELAY ASSY., POWER(12V-20A)	F-7-30-6
O-RING, 16.3X3.5	E-3-45	PIPE, HARNESS GUIDE	FOP-3-6-32	RETAINER, SPRING	E-7-13
O-RING, 16MM	E-6-10-45	PIPE, R. FUEL	E-14-3	RETAINER, SPRING	E-7-
O-RING, 18.3X3.5	E-3-43	PISTON	E-7-2	RETAINER, VALVE SPRING	E-9-10-18
O-RING, 2.0X70.5	F-11-38	PISTON COMP., FREE	F-11-22	RETAINER	E-18-32
O-RING, 20.6X2.6	E-5-19	PISTON(0.25)	E-7-	RING SET, PISTON(0.25)	E-7-
O-RING, 23.5X2	E-6-10-48	PIVOT, SHIFT	F-2-12	RING SET, PISTON(STD.)	E-7-1
O-RING, 25X2.4(NOK)	E-3-47	PIVOT, SHIFT	FOP-3-6-17	RING, BACK UP	F-11-19
O-RING, 26.2X2.4(NOK)	E-3-44	PLATE	E-18-10	RING, CROSS PIN	F-5-3
O-RING, 26.9X2.4(NOK)	F-2-39	PLATE	E-18-44	RING, INNER(15X20X23)	F-2-36
O-RING, 26X2.7	E-3-10-16	PLATE	E-18-2-23	RING, STOPPER	F-2-7
O-RING, 3.5X35.7	F-11-43	PLATE COMP., SLIDING	FOP-3-6-15	RING, WATER TUBE SEAL	F-4-8
O-RING, 3.5X38.7	F-11-40	PLATE SET, TRANSOM(5.5MM FLAT)	FOP-9-2	RING, WATER TUBE SEAL	FOP-2-8
O-RING, 3.5X41.7	F-11-44	PLATE SET, TRIM ADJUST.	FOP-9-1	ROD COMP. A, SHIFT(L)	F-4-
O-RING, 31.5X2.4(ARAI)	E-4-26	PLATE, CABLE CLAMP	FOP-3-11	ROD COMP. A, SHIFT(XL)	F-4-11
O-RING, 33.5X2	E-6-10-47	PLATE, CABLE CLAMP	FOP-3-2-12	ROD COMP., CONNECTING	E-7-6
O-RING, 37X2.4(ARAI)	E-1-28	PLATE, DWELL	FOP-3-15	ROD COMP., PISTON	F-11-21
O-RING, 48.5X2.4	E-9-20	PLATE, DWELL	FOP-3-2-16	ROD COMP., PISTON(B)	F-11-15
O-RING, 49.4X3.1	E-6-10-46	PLATE, DWELL	FOP-3-4-10	ROD COMP., SHIFT	F-4-9
O-RING, 59.4X3.1	E-21-23	PLATE, HANDLE	FOP-3-10	ROD KIT, STEERING	F-10-3
O-RING, 6.9X1.45	F-3-30	PLATE, HANDLE	FOP-3-2-11	ROD, LINK	F-2-10
O-RING, 6.9X1.45	F-3-31	PLATE, INTAKE MANIFOLD CENTER	E-14-10-4	ROLLER, 3X13.8	E-5-26
O-RING, 66.4X3.1	E-4-24	PLATE, L. TIMING BELT COVER	E-13-10-4	ROLLER, 5X8	E-5-25
O-RING, 69.1X2.4	F-4-31	PLATE, LEVER SETTING	FOP-3-6-8	ROLLER, CLICK	FOP-3-6-65
O-RING, 69.1X2.4	FOP-2-14	PLATE, LOCK	F-2-13	ROTOR ASSY.	E-19-15
O-RING, 7.45X3.61(NOK)	E-14-29	PLATE, R. TIMING BELT COVER	E-13-10-5	ROTOR COMP.	E-21-2
O-RING, 7.47X3.6	E-14-28	PLATE, REMOTE CONTROL	FOP-3-6-	ROTOR, OIL PUMP INNER	E-5-5
O-RING, 7.8X1.9(ARAI)	E-14-27	PLATE, REMOTE CONTROL CABLE	F-2-2		

ROTOR, OIL PUMP OUTER.....	E-5-6	SEAL B, EX. GUIDE.....	E-6-10-4	SPACER, R. RELIEF VALVE.....	E-6-10-12
RUBBER C, STAND STOPPER.....	F-3-20-56	SEAL B, VALVE STEM(NOK).....	E-9-6	SPACER, REMOTE CONTROL BOX.....	FOP-3-6-26
RUBBER, DRAIN PLUG.....	F-3-20-11	SEAL C, UNDER COVER.....	F-3-20-25	SPACER, THERMOSTAT.....	E-4-12
RUBBER, FR. CARRIER CUSHION.....	F-8-10-11	SEAL D, UNDER COVER.....	F-8-10-25	SPACER, THROTTLE BODY.....	E-15-4
RUBBER, MOUNT CASE SEAL.....	E-6-10-24	SEAL, ENGINE COVER.....	F-8-4	SPRING COMP., CLICK.....	F-2-5
RUBBER, OIL PUMP.....	E-5-3	SEAL, EXHAUST GUIDE.....	E-6-10-3	SPRING COMP., CLICK.....	F-10-4
RUBBER, SEAL SILENCER.....	E-15-7	SEAL, L. IDOL PORT.....	F-3-20-15	SPRING COMP., TIMING BELT.....	E-13-9
RUBBER, STOPPER.....	F-8-10-10	SEAL, R. IDOL PORT.....	F-3-20-14	SPRING, ACCELERATOR WHEEL.....	FOP-3-6-21
RUBBER, UPPER MOUNT STOPPER.....	F-10-16	SEAL, SPARK PLUG TUBE(NOK).....	E-1-4	SPRING, AIR FLOW TUBE.....	E-15-8
<S>		SEAL, UPPER MOUNT COVER.....	F-10-19	SPRING, CHOKE RETURN.....	FOP-3-6-25
SCREEN COMP., FUEL STRAINER.....	E-18-39	SEAL, WATER.....	F-11-46	SPRING, CLICK ASSIST.....	F-2-6
SCREEN, L. WATER.....	F-3-8	SEAL, WATER(14X26X8).....	F-2-38	SPRING, CLICK ASSIST.....	F-10-5
SCREEN, R. WATER.....	F-3-7	SEAL, WATER, 12X21X6.....	F-3-29	SPRING, COVER LOCK HOOK.....	F-8-10-17
SCREW.....	E-19-9	SEAL, WATER, 12X21X6.....	F-4-27	SPRING, EX. VALVE.....	E-9-10-17
SCREW.....	E-19-10	SEAL, WATER, 22X35X7.....	E-6-10-44	SPRING, FLUSH VALVE.....	E-6-10-8
SCREW SET.....	E-15-1	SEAL, WATER, 26X42X7.....	F-3-27	SPRING, IN. VALVE(GRAY).....	E-9-10-16
SCREW SET, DRAIN.....	E-18-5	SEAL, WATER, 26X42X7.....	F-4-26	SPRING, LOCK ADJUSTER.....	F-8-8
SCREW SET, DRAIN.....	E-18-2-1	SEAL, WATER, 30X45X7.....	F-3-28	SPRING, LOCK LEVER RETURN.....	F-8-10-18
SCREW, 6X95.....	FOP-3-6-53	SEAL, WATER, 30X45X7.....	F-5-27	SPRING, MOTOR.....	F-11-9
SCREW, FLAT, 5X12.....	FOP-3-6-52	SEAT, SPRING(225).....	E-7-14	SPRING, NEUTRAL LOCK ARM.....	FOP-3-4-7
SCREW, FLAT, 5X55.....	F-3-12	SEAT, SPRING(225).....	E-7-	SPRING, RELIEF VALVE.....	E-5-9
SCREW, FLAT, 6X16.....	E-5-20	SEAT, VALVE SPRING.....	E-9-10-19	SPRING, RELIEF VALVE.....	E-6-10-11
SCREW, PAN.....	E-18-21	SEAT, WATER MOUTH.....	F-3-20-3	SPRING, REMOTE CONTROL HANDLE.....	FOP-3-6-7
SCREW, PAN, 4X10.....	FOP-3-26	SENSOR ASSY., AIR TEMP.....	E-15-14	SPRING, ROCKER ARM.....	E-9-10-10
SCREW, PAN, 4X10.....	FOP-3-2-29	SENSOR ASSY., CRANK.....	E-3-25	SPRING, SET.....	E-18-40
SCREW, PAN, 5X10.....	FOP-3-23	SENSOR ASSY., MAP.....	E-14-10-12	SPRING, SHIFT.....	F-5-6
SCREW, PAN, 5X10.....	FOP-3-2-26	SENSOR ASSY., TRIM ANGLE.....	F-10-7	SPRING, SHIFT CLICK.....	FOP-3-6-24
SCREW, PAN, 5X10.....	FOP-3-6-70	SENSOR ASSY., WATER.....	E-3-24	SPRING, SHIFT ROD.....	F-4-10
SCREW, PAN, 5X12.....	E-18-2-15	SENSOR ASSY., WATER.....	E-4-14	SPRING, SUPPORT.....	E-7-15
SCREW, PAN, 5X16.....	E-3-49	SENSOR COMP., KNOCK.....	E-3-18	SPRING, SUPPORT.....	E-7-
SCREW, PAN, 5X16.....	FOP-3-22	SENSOR COMP., TDC1-TDC2.....	E-13-10-6	STAY COMP.....	E-18-2-3
SCREW, PAN, 5X16.....	FOP-3-2-25	SENSOR, OXYGEN.....	E-4-13	STAY, A.C. GENERATOR.....	E-19-16
SCREW, PAN, 5X16.....	FOP-3-4-20	SEPARATOR ASSY., VAPOR.....	E-18-33	STAY, FUEL PIPE A.....	E-18-2-4
SCREW, PAN, 5X18.....	FOP-3-25	SEPARATOR ASSY., WATER.....	E-18-2-6	STAY, FUEL PIPE B.....	E-18-2-5
SCREW, PAN, 5X18.....	FOP-3-2-28	SHAFT ASSY., CLUTCH.....	E-21-13	STAY, FUEL STRAINER.....	E-18-2-18
SCREW, PAN, 5X20.....	E-3-50	SHAFT ASSY., GEAR.....	E-21-15	STAY, PLATE.....	E-18-8
SCREW, PAN, 5X20.....	FOP-3-24	SHAFT COMP., EX. ROCKER ARM.....	E-9-10-9	STAY, PLATE.....	E-18-36
SCREW, PAN, 5X20.....	FOP-3-2-27	SHAFT COMP., FR. INTAKE ROCKER.....	E-9-10-8	STAY, POWER TILT SWITCH.....	F-3-20-6
SCREW, PAN, 5X30.....	FOP-3-4-22	SHAFT COMP., INTAKE ROCKER ARM.....	E-9-10-		
SCREW, PAN, 5X40.....	FOP-3-28	SHAFT COMP., SHIFT(A).....	F-2-8	STAY, VACUUM TANK.....	E-18-43
SCREW, PAN, 5X40.....	FOP-3-2-31	SHAFT COMP., SHIFT(B).....	F-2-14	STAY, WATER SEPARATOR.....	E-18-2-9
SCREW, PAN, 5X40.....	FOP-4-23	SHAFT, COVER OPEN.....	F-8-10-19	STOPPER SET, SLEEVE.....	E-21-8
SCREW, PAN, 5X40.....	FOP-4-1-15	SHAFT, FR. LOCK.....	F-8-10-20	STOPPER, LOWER MOUNT.....	F-3-20-18
SCREW, PAN, 5X55.....	FOP-3-2-32	SHAFT, PROPELLER.....	F-5-10	STOPPER, TILT.....	F-10-29
SCREW, PAN, 5X65.....	FOP-3-34	SHAFT, PROPELLER.....	F-5-10	STRAINER ASSY., FUEL.....	E-18-2-13
SCREW, PAN, 5X65.....	FOP-3-2-39	SHAFT, THROTTLE BUTTON.....	FOP-3-4-9	STRAINER COMP., OIL.....	E-5-7
SCREW, PAN, 5X8.....	E-21-22	SHAFT, TILTING.....	F-10-26	STRAINER, FUEL PUMP.....	E-18-10-7
SCREW, PAN, 6X10.....	FOP-3-6-51	SHAFT, VERTICAL(L).....	F-4-	SUB HARNESS ASSY., POWER.....	FOP-3-19
SCREW, PAN, 6X18.....	E-4-27	SHAFT, VERTICAL(XL).....	F-4-14	SUB HARNESS ASSY., POWER.....	FOP-3-2-20
SCREW, PAN, 6X18.....	FOP-3-27	SHIFTER, CLUTCH.....	F-5-1	SUB HARNESS ASSY., POWER.....	FOP-3-2-21
SCREW, PAN, 6X18.....	FOP-3-2-30	SHIM A, BEVEL(0.10).....	F-5-18	SUB HARNESS ASSY., POWER.....	FOP-3-4-16
SCREW, PAN, 6X22(SPECIAL).....	E-21-21	SHIM A, GEAR(0.10).....	F-4-21	SUSPENSION, COUPLER.....	F-7-2
SCREW, PAN, 6X25.....	F-3-20-40	SHIM A, THRUST(2.75).....	F-5-19	SUSPENSION, STRAINER.....	E-18-2-19
SCREW, PAN, 6X35.....	FOP-3-4-23	SHIM B, BEVEL(0.15).....	F-5-	SUSPENSION, STRAINER.....	E-18-2-20
SCREW, PAN, 6X8.....	F-10-44	SHIM B, GEAR(0.15).....	F-4-	SUSPENSION, STRAINER.....	E-18-10-8
SCREW, PAN, 6X8.....	F-10-77	SHIM B, THRUST(2.80).....	F-5-	SWITCH ASSY., COMBINATION.....	FOP-3-6-38
SCREW, PAN, 6X8.....	F-11-33	SHIM C, BEVEL(0.30).....	F-5-	SWITCH ASSY., COMBINATION.....	FOP-4-14
SCREW, RIVET, 5X10.....	F-10-45	SHIM C, GEAR(0.30).....	F-4-	SWITCH ASSY., COMBINATION.....	FOP-4-1-7
SCREW, RIVET, 5X10.....	F-11-34	SHIM C, THRUST(2.85).....	F-5-	SWITCH ASSY., EMERGENCY STOP.....	FOP-3-6-41
SCREW, SPECIAL, 6X35.....	F-3-20-33	SHIM D, BEVEL(0.50).....	F-5-	SWITCH ASSY., EMERGENCY STOP.....	FOP-4-15
SCREW, TAPPET ADJUSTING.....	E-9-10-14	SHIM D, GEAR(0.50).....	F-4-	SWITCH ASSY., EMERGENCY STOP.....	FOP-4-1-8
SCREW, TAPPET ADJUSTING.....	E-9-10-15	SHIM D, THRUST(2.90).....	F-5-	SWITCH ASSY., MAGNET.....	E-21-12
SCREW, TAPPING.....	FOP-1-3	SHIM E, THRUST(2.95).....	F-5-	SWITCH ASSY., NEUTRAL.....	F-2-43
SCREW, TAPPING, 4X10.....	F-8-16	SHIM F, THRUST(3.00).....	F-5-	SWITCH ASSY., OIL PRESSURE.....	E-3-22
SCREW, TAPPING, 4X10.....	F-8-17	SHIM G, THRUST(3.05).....	F-5-	SWITCH ASSY., OIL PRESSURE.....	E-3-23
SCREW, TAPPING, 5X10.....	FOP-3-6-72	SHIM H, THRUST(3.10).....	F-5-	SWITCH ASSY., POWER TILT.....	F-3-20-5
SCREW, TAPPING, 5X12.....	FOP-3-6-73	SHIM I, THRUST(2.70).....	F-5-	SWITCH ASSY., POWER TRIM-TILT.....	FOP-3-20
SCREW, TAPPING, 5X20.....	E-15-25	SHIM J, THRUST(2.65).....	F-5-	SWITCH ASSY., POWER TRIM-TILT.....	FOP-3-2-22
SCREW, TAPPING, 5X25.....	FOP-3-6-75	SHIM K, THRUST(2.60).....	F-5-	SWITCH ASSY., POWER TRIM-TILT.....	FOP-3-2-23
SCREW, TAPPING, 5X8.....	FOP-3-6-71	SHIM L, THRUST(2.55).....	F-5-	SWITCH ASSY., POWER TRIM-TILT.....	FOP-3-4-17
SCREW, TAPPING, 6X16.....	FOP-3-6-74	SHIM M, THRUST(2.50).....	F-5-	SWITCH ASSY., POWER TRIM-TILT.....	FOP-3-6-39
SCREW, TAPPING, 6X30.....	FOP-3-4-24	SLIDER COMP., SHIFT.....	F-5-4	SWITCH KIT, LIGHT.....	FOP-4-3
SCREW, TRUSS, 4X12.....	FOP-3-4-21	SLIDER, SHIF.....	F-5-5	<T>	
SCREW, WASHER.....	E-18-22	SLINGER, OIL.....	F-4-15	TAB, TRIM.....	F-3-9
SCREW, WAVE WASHER.....	E-19-12	SPACER KIT, REMOTE CONTROL BOX.....	FOP-3-2	TACHOMETER HOUR METER (BLACK).....	FOP-5-1-4
SCREW, WAVE WASHER.....	E-19-13	SPACER KIT, REMOTE CONTROL BOX.....	FOP-3-2-2	TANK COMP., VACUUM.....	E-18-42
SCREW-WASHER.....	E-18-20	SPACER, CABLE CLAMP.....	FOP-3-17	TANK, OIL.....	F-11-27
SCREW-WASHER.....	E-19-11	SPACER, CABLE CLAMP.....	FOP-3-2-18	TENSIONER COMP., TIMING BELT.....	E-13-7
SCREW-WASHER, 5X15.....	F-7-30-8	SPACER, CABLE CLAMP.....	FOP-3-4-13	TERMINAL, CABLE.....	FOP-3-16
SCREW-WASHER, 6X40.....	F-3-20-	SPACER, CABLE CLAMP.....	FOP-3-6-33	TERMINAL, CABLE.....	FOP-3-2-17
SEAL A, COVER UNDER.....	F-3-20-22	SPACER, CLICK SPRING.....	FOP-3-6-27	TERMINAL, CABLE.....	FOP-3-4-12
SEAL A, VALVE STEM(NOK).....	E-9-4	SPACER, INTAKE MANIFOLD.....	E-14-16	THERMOSTAT ASSY.....	E-4-10
SEAL B, COVER UNDER.....	F-3-20-23	SPACER, L. RELIEF VALVE.....	E-6-10-18	THROTTLE BODY ASSY.....	E-15-3
		SPACER, NEUTRAL SWITCH.....	FOP-3-6-30	TIE, CABLE.....	FOP-12-2

TIE, CABLE(NATURAL)(2.4X92).....	FOP-3-6-37	WASHER, PLAIN, 10MM .....	E-6-10-39
TIE, CABLE(NATURAL)(2.4X92).....	FOP-4-13	WASHER, PLAIN, 10MM .....	F-3-20-47
T-JOINT .....	E-1-14	WASHER, PLAIN, 10MM .....	F-8-10-32
T-JOINT .....	E-18-10-16	WASHER, PLAIN, 10MM .....	F-10-62
TRAP, FLAME .....	E-15-6	WASHER, PLAIN, 12MM .....	E-6-10-38
TRIM METER ASSY (BLACK) .....	FOP-5-1-1	WASHER, PLAIN, 12MM .....	F-3-23
TRIM-TILT ASSY., POWER .....	F-11-13	WASHER, PLAIN, 12MM .....	F-3-20-46
TUBE A, AIR VENT .....	E-18-10-3	WASHER, PLAIN, 12MM .....	F-4-20
TUBE B, AIR VENT .....	E-18-10-4	WASHER, PLAIN, 12MM .....	F-5-20
TUBE B, BREATHER .....	E-1-30	WASHER, PLAIN, 12MM .....	F-8-14
TUBE C, BREATHER .....	E-1-31	WASHER, PLAIN, 12MM .....	F-10-63
TUBE COMP. A, BREATHER .....	E-1-29	WASHER, PLAIN, 12MM .....	F-10-64
TUBE COMP. A, FUEL .....	F-8-20-4	WASHER, PLAIN, 14MM .....	F-3-20-44
TUBE COMP. B, FUEL .....	E-18-2-10	WASHER, PLAIN, 4MM .....	FOP-3-6-56
TUBE COMP. C, FUEL .....	E-1-33	WASHER, PLAIN, 5MM .....	FOP-3-31
TUBE COMP. D, FUEL .....	E-18-2-11	WASHER, PLAIN, 5MM .....	FOP-3-33
TUBE COMP. E, FUEL .....	E-18-2-12	WASHER, PLAIN, 5MM .....	FOP-3-2-36
TUBE COMP. G, FUEL .....	E-1-12	WASHER, PLAIN, 5MM .....	FOP-3-2-38
TUBE COMP., AIR VENT .....	E-18-10-5	WASHER, PLAIN, 5MM .....	FOP-3-6-57
TUBE KIT, SPEED SENSOR .....	F-10-2	WASHER, PLAIN, 5MM .....	FOP-3-6-58
TUBE, 5X200(95005-50001-30M) .....	F-10-74	WASHER, PLAIN, 5MM .....	FOP-4-26
TUBE, 5X950(95005-50001-30M) .....	F-10-75	WASHER, PLAIN, 5MM .....	FOP-4-1-18
TUBE, CHECK VALVE .....	E-18-10-2	WASHER, PLAIN, 6MM .....	E-15-22
TUBE, FLUSH VALVE .....	E-6-10-50	WASHER, PLAIN, 6MM .....	F-2-30
TUBE, FUEL, 3.5X130 .....	E-14-10-21	WASHER, PLAIN, 6MM .....	F-2-32
TUBE, FUEL, 3.5X40 .....	E-14-10-20	WASHER, PLAIN, 6MM .....	F-2-33
TUBE, FUEL, 3.5X50 .....	E-14-31	WASHER, PLAIN, 6MM .....	F-8-13
TUBE, FUEL, 3.5X540 .....	E-14-10-22	WASHER, PLAIN, 6MM .....	F-10-60
TUBE, FUEL, 3.5X55 .....	E-18-10-23	WASHER, PLAIN, 6MM .....	FOP-3-4-27
TUBE, FUEL, 3.5X590 .....	E-14-10-23	WASHER, PLAIN, 6MM .....	FOP-3-6-59
TUBE, FUEL, 3.5X600 .....	E-14-10-24	WASHER, PLAIN, 8MM .....	E-1-23
TUBE, L. WATER RETURN .....	E-4-9	WASHER, PLAIN, 8MM .....	E-6-12
TUBE, OIL .....	E-1-5	WASHER, PLAIN, 8MM .....	F-7-11-19
TUBE, R. WATER RETURN .....	E-4-6	WASHER, PLAIN, 8MM .....	F-8-10-28
TUBE, SPIRAL(12X14.6) .....	F-11-4	WASHER, PLAIN, 8MM .....	F-8-10-34
TUBE, VINYL, 3.5X6.5X350 .....	E-18-2-34	WASHER, PLAIN, 8MM .....	FOP-3-6-61
TUBE, VINYL, 3.5X6.5X600 .....	E-18-10-24	WASHER, PROPELLER .....	F-5-17
TUBE, WATER .....	E-4-8	WASHER, PROPELLER THRUST .....	F-5-15
TUBE, WATER CHECK .....	E-6-10-49	WASHER, SEALING(22MM) .....	E-3-8
TUBE, WATER IN .....	E-18-10-14	WASHER, SEALING, 22MM .....	E-3-7
TUBE, WATER JOINT .....	F-3-20-52	WASHER, SEALING, 6MM .....	E-18-52
TUBE, WATER OUTLET .....	E-18-10-15	WASHER, SPRING, 5MM .....	FOP-4-27
TUBE, WATER RELIEF .....	E-4-7	WASHER, SPRING, 5MM .....	FOP-4-1-19
TUBE, WATER(L) .....	F-4	WASHER, THRUST .....	E-7-10
TUBE, WATER(XL) .....	F-4-7	WASHER, THRUST .....	E-7
<V>		WASHER, THRUST .....	E-7
VALVE ASSY., AIR BYPASS .....	E-14-10-10	WASHER, THRUST .....	E-9-10-11
VALVE ASSY., EAC .....	E-15-15	WASHER, THRUST BEARING .....	F-5-16
VALVE ASSY., SPOOL .....	E-3-16	WASHER, THRUST, 14MM .....	F-2-28
VALVE ASSY., SPOOL .....	E-3	WASHER, THRUST, 34MM .....	F-10-56
VALVE COMP., MANUAL .....	F-11-23	WASHER, UPPER MOUNTING STOPPER .....	F-10-57
VALVE COMP., RESERVOIR .....	F-11-24	WASHER, WAVE, 10MM .....	F-8-10-33
VALVE SET, FLOAT .....	E-18-1	WASHER, WAVE, 12MM .....	F-10-54
VALVE, CHECK .....	E-14-10-9	WASHER, WAVE, 26MM .....	F-10-55
VALVE, CHECK .....	E-18-10-17	WASHER, WAVE, 40MM .....	F-10-53
VALVE, EX .....	E-9-10-13	WASHER, WAVE, 8MM .....	F-8-10-39
VALVE, FLASH .....	E-6-10-10	WHEEL, ACCELERATOR .....	FOP-3-6-20
VALVE, IN .....	E-9-10-12	WHEEL, CONTROL .....	FOP-3-6-13
VALVE, RELIEF .....	E-5-8	WIRE, LEAD(1.5X116MM) .....	F-10-9
VALVE, RELIEF .....	E-6-10-9	WIRE, LEAD(1.5X116MM) .....	F-11-11
<W>		WRENCH, BOX(10MM) .....	F-13-11
WASHER .....	F-2-31	WRENCH, EYE, 19MM .....	F-13-12
WASHER B, THRUST, 14MM .....	F-2-29	WRENCH, HEX., 6MM .....	F-13-7
WASHER KIT, THRUST(175/200/225) .....	E-7-16	WRENCH, PLUG .....	F-13-6
WASHER KIT, THRUST(175/200/225) .....	E-7	<Y>	
WASHER, 10MM .....	F-10-61	YOKE ASSY .....	F-11-8
WASHER, 25MM .....	F-10-59	YOKE COMP. .....	E-21-5
WASHER, 28MM .....	FOP-3-6-62		
WASHER, 30MM .....	F-3-20-43		
WASHER, 6MM .....	FOP-3-6-60		
WASHER, 7/8INCH .....	F-10-58		
WASHER, 8MM .....	FOP-2-10		
WASHER, AIR CLEANER COVER .....	F-2-1		
WASHER, CONICAL SPRING(S) .....	E-14-10-11		
WASHER, DRAIN PLUG, 12MM .....	E-6-13		
WASHER, LOCK, 5MM .....	FOP-3-30		
WASHER, LOCK, 5MM .....	FOP-3-2-35		
WASHER, LOCK, 5MM .....	FOP-3-4-26		
WASHER, LOCK, 6MM .....	FOP-3-32		
WASHER, LOCK, 6MM .....	FOP-3-2-37		
WASHER, PIVOT .....	F-2-4		
WASHER, PLAIN .....	E-18-24		
WASHER, PLAIN .....	E-18-25		



HZV4-24221-010 . . . . . F-10-5  
HZV4-36182-651 . . . . . FOP-3-6-42  
HZV4-36182-651 . . . . . FOP-4-16  
HZV4-36182-651 . . . . . FOP-4-1-9  
HZV4-36187-652 . . . . . FOP-3-6-43  
HZV4-36187-652 . . . . . FOP-4-17  
HZV4-36187-652 . . . . . FOP-4-1-10  
HZV4-90127-000 . . . . . E-6-10  
HZV4-90127-000 . . . . . F-2-26  
HZV4-90302-000 . . . . . F-3-20  
HZV4-90304-000 . . . . . FOP-3-6-55  
HZV4-90502-000 . . . . . FOP-3-31  
HZV4-90502-000 . . . . . FOP-3-2-36  
HZV4-90502-000 . . . . . FOP-3-6-58  
HZV4-90506-000 . . . . . F-2-30  
HZV4-90512-000 . . . . . F-2-33  
HZV4-90512-000 . . . . . F-10-60  
HZV4-90514-000 . . . . . F-10-61  
HZV4-90603-000 . . . . . E-6-10-40  
HZV4-90605-000 . . . . . E-6-10-41  
HZV4-90605-000 . . . . . E-18-2-30  
HZV4-90605-000 . . . . . F-3-20-48  
HZV5-12155-000 . . . . . E-4-1  
HZV5-12214-000 . . . . . E-3-8  
HZV5-24811-010 . . . . . FOP-3-6-2  
HZV5-24812-000 . . . . . FOP-3-6-3  
HZV5-24813-000 . . . . . FOP-3-6-4  
HZV5-24814-010 . . . . . FOP-3-6-5  
HZV5-24815-010 . . . . . FOP-3-6-6  
HZV5-24816-000 . . . . . FOP-3-6-7  
HZV5-24817-000 . . . . . FOP-3-6-8  
HZV5-24818-003 . . . . . FOP-3-6-9  
HZV5-24820-010 . . . . . FOP-3-6-10  
HZV5-24830-010 . . . . . FOP-3-6-11  
HZV5-24836-000 . . . . . FOP-3-6-12  
HZV5-24841-000 . . . . . FOP-3-6-13  
HZV5-24845-000 . . . . . FOP-3-6-14  
HZV5-24850-000 . . . . . FOP-3-6-15  
HZV5-24854-000 . . . . . FOP-3-6-16  
HZV5-24855-000 . . . . . FOP-3-6-17  
HZV5-24860-000 . . . . . FOP-3-6-18  
HZV5-24865-000 . . . . . FOP-3-6-19  
HZV5-24875-000 . . . . . FOP-3-6-20  
HZV5-24876-000 . . . . . FOP-3-6-21  
HZV5-24878-000 . . . . . FOP-3-6-22  
HZV5-24881-000 . . . . . FOP-3-6-23  
HZV5-24883-000 . . . . . FOP-3-6-24  
HZV5-24884-000 . . . . . FOP-3-6-25  
HZV5-24885-000 . . . . . FOP-3-6-26  
HZV5-24887-000 . . . . . FOP-3-6-27  
HZV5-24891-000 . . . . . FOP-3-6-28  
HZV5-24892-000 . . . . . FOP-3-6-29  
HZV5-24894-000 . . . . . FOP-3-6-30  
HZV5-24895-000 . . . . . FOP-3-6-31  
HZV5-24897-000 . . . . . FOP-3-6-32  
HZV5-24898-000 . . . . . FOP-3-6-33  
HZV5-32823-003 . . . . . FOP-3-6-35  
HZV5-32823-003 . . . . . FOP-4-11  
HZV5-32823-003 . . . . . FOP-4-1-5  
HZV5-32824-003 . . . . . FOP-3-6-36  
HZV5-32824-003 . . . . . FOP-4-12  
HZV5-32824-003 . . . . . FOP-4-1-6  
HZV5-35370-823 . . . . . FOP-3-6-39  
HZV5-36136-821 . . . . . F-11-9  
HZV5-36180-033 . . . . . FOP-3-6-41  
HZV5-36180-033 . . . . . FOP-4-15  
HZV5-36180-033 . . . . . FOP-4-1-8  
HZV5-38410-003 . . . . . FOP-3-6-46  
HZV5-38410-003 . . . . . FOP-4-21  
HZV5-38410-003 . . . . . FOP-4-1-13  
HZV5-40102-000 . . . . . E-15-16  
HZV5-40107-000 . . . . . F-3-20-7  
HZV5-41171-000 . . . . . F-10-10  
HZV5-41172-000 . . . . . F-10-11  
HZV5-50214-003 . . . . . F-11-12  
HZV5-56117-821 . . . . . F-11-19  
HZV5-56118-820 . . . . . F-11-20  
HZV5-56513-000 . . . . . F-11-25  
HZV5-82873-003 . . . . . F-3-20-30  
HZV5-90009-000 . . . . . E-6-8  
HZV5-90009-000 . . . . . F-8-10-26  
HZV5-90012-013 . . . . . E-13-20  
HZV5-90081-010 . . . . . E-3-37  
HZV5-90081-010 . . . . . E-5-15  
HZV5-90110-000 . . . . . F-3-20-33  
HZV5-90119-000 . . . . . F-10-44  
HZV5-90119-000 . . . . . F-10-77  
HZV5-90119-000 . . . . . F-11-33  
HZV5-90125-000 . . . . . FOP-3-6-53  
HZV5-90127-003 . . . . . F-10-45  
HZV5-90127-003 . . . . . F-11-34  
HZV5-90131-000 . . . . . E-6-11  
HZV5-90302-003 . . . . . F-2-27  
HZV5-90304-013 . . . . . F-10-49  
HZV5-90307-003 . . . . . F-10-52  
HZV5-90501-000 . . . . . F-10-53  
HZV5-90502-000 . . . . . F-10-55  
HZV5-90504-000 . . . . . F-10-56  
HZV5-90552-000 . . . . . F-10-63  
HZV5-90557-000 . . . . . FOP-3-6-62  
HZV5-90559-000 . . . . . E-6-10-38  
HZV5-90559-000 . . . . . F-3-23  
HZV5-90559-000 . . . . . F-3-20-46  
HZV5-90559-000 . . . . . F-5-20  
HZV5-90559-000 . . . . . F-10-64  
HZV5-90563-000 . . . . . E-6-10-39  
HZV5-90563-000 . . . . . F-3-20-47  
HZV5-90651-000 . . . . . F-10-66  
HZV5-90751-000 . . . . . FOP-3-6-63  
HZV5-90756-000 . . . . . F-3-25  
HZV5-90756-000 . . . . . F-3-20-51  
HZV5-90756-000 . . . . . F-4-23  
HZV5-90772-000 . . . . . FOP-3-6-64  
HZV5-91151-000 . . . . . FOP-3-6-65  
HZV5-91203-821 . . . . . F-11-37  
HZV5-91256-003 . . . . . F-10-69  
HZV5-91302-821 . . . . . F-11-39  
HZV5-91316-821 . . . . . F-11-40  
HZV5-91352-000 . . . . . F-10-70  
HZV5-91553-010 . . . . . E-15-24  
HZV5-91553-010 . . . . . E-20-5  
HZV5-91553-010 . . . . . E-20-11-11  
HZV5-91553-010 . . . . . F-7-11-25  
HZV5-91563-000 . . . . . F-3-20-54  
HZV5-91567-000 . . . . . FOP-3-6-67  
HZV5-91570-000 . . . . . FOP-3-6-68  
HZV7-90508-000 . . . . . F-2-31  
HZV7-90951-010 . . . . . F-10-68  
HZW1-06411-020 . . . . . F-10-1  
HZW1-15631-000 . . . . . E-3-10-5  
HZW1-19286-800 . . . . . F-3-2  
HZW1-24210-010 . . . . . F-2-5  
HZW1-24327-000 . . . . . F-2-7  
HZW1-24343-802 . . . . . F-4-12  
HZW1-24629-000 . . . . . F-2-17  
HZW1-31226-004 . . . . . E-21-7  
HZW1-31229-004 . . . . . E-21-8  
HZW1-31231-004 . . . . . E-21-9  
HZW1-36104-003 . . . . . F-11-4  
HZW1-38551-000 . . . . . F-7-11-10  
HZW1-40107-700 . . . . . F-11-10  
HZW1-40209-000 . . . . . F-3-20-11  
HZW1-41102-800 . . . . . F-3-5  
HZW1-41109-800 . . . . . F-3-10  
HZW1-56110-701 . . . . . F-11-15  
HZW1-56113-701 . . . . . F-11-16  
HZW1-56116-701 . . . . . F-11-18  
HZW1-56130-702 . . . . . F-11-22  
HZW1-56180-701 . . . . . F-11-24  
HZW1-56539-000 . . . . . F-10-33  
HZW1-56851-703 . . . . . F-11-27  
HZW1-56860-701 . . . . . F-11-28  
HZW1-87538-721 . . . . . F-12-15  
HZW1-90013-000 . . . . . E-15-17  
HZW1-90013-000 . . . . . F-7-11-13  
HZW1-90014-000 . . . . . E-18-46  
HZW1-90102-000 . . . . . F-10-36  
HZW1-90106-004 . . . . . E-21-21  
HZW1-90107-004 . . . . . E-21-22  
HZW1-90108-000 . . . . . F-10-41  
HZW1-90113-702 . . . . . F-11-29  
HZW1-90114-702 . . . . . F-11-30  
HZW1-90115-702 . . . . . F-11-31  
HZW1-90116-702 . . . . . F-11-32  
HZW1-90203-000 . . . . . F-7-11-17  
HZW1-90242-000 . . . . . F-4-18  
HZW1-90301-800 . . . . . F-5-14  
HZW1-90304-013 . . . . . F-10-50  
HZW1-90308-003 . . . . . F-3-22  
HZW1-90401-000 . . . . . E-6-12  
HZW1-90518-800 . . . . . F-4-21  
HZW1-90519-800 . . . . . F-4  
HZW1-90520-800 . . . . . F-4  
HZW1-90521-800 . . . . . F-4  
HZW1-90652-702 . . . . . F-11-36  
HZW1-90758-800 . . . . . F-3-26  
HZW1-90758-800 . . . . . F-5-21  
HZW1-91054-B31 . . . . . F-4-25  
HZW1-91207-013 . . . . . F-11-38  
HZW1-91352-702 . . . . . F-11-41  
HZW1-91353-703 . . . . . F-11-42  
HZW1-91354-701 . . . . . F-11-43  
HZW1-91355-701 . . . . . F-11-44  
HZW1-91357-701 . . . . . F-11-45  
HZW1-91358-701 . . . . . F-11-46  
HZW1-91361-701 . . . . . F-11-47  
HZW1-91554-000 . . . . . E-18-55  
HZW1-91554-000 . . . . . F-8-10-37  
HZW1-91557-701 . . . . . F-11-48  
HZW2-90003-000 . . . . . E-20-11-7  
HZW2-90003-000 . . . . . F-7-11-12  
HZW4-90108-000 . . . . . FOP-3-6-52  
HZW4-90126-000 . . . . . E-1-34  
HZW4-90146-000 . . . . . E-4-19  
HZW4-90147-000 . . . . . E-3-10-14  
HZW4-90155-000 . . . . . E-4-20  
HZW4-90156-000 . . . . . E-3-38  
HZW4-90156-000 . . . . . E-14-10-18  
HZW4-90306-003 . . . . . F-10-51  
HZW4-90401-000 . . . . . FOP-3-6-56  
HZW4-90402-000 . . . . . FOP-3-6-57  
HZW4-91301-003 . . . . . F-3-30  
HZW4-91301-003 . . . . . F-3-31  
HZW5-06241-U00 . . . . . FOP-3-2  
HZW5-06241-U10 . . . . . FOP-3-2-2  
HZW5-06352-U01 . . . . . FOP-4-3  
HZW5-06900-U00 . . . . . FOP-7-1  
HZW5-16081-010 . . . . . E-18-20  
HZW5-16088-000 . . . . . E-18-23  
HZW5-16087-000 . . . . . E-18-24  
HZW5-16715-023 . . . . . E-18-29  
HZW5-16733-000 . . . . . E-18-34  
HZW5-16915-000 . . . . . E-18-10-8  
HZW5-19291-000 . . . . . E-6-10-9  
HZW5-19292-000 . . . . . E-6-10-11  
HZW5-19297-000 . . . . . E-6-10-15  
HZW5-24810-U01 . . . . . FOP-3-3  
HZW5-24810-U01 . . . . . FOP-3-2-3  
HZW5-24810-U11 . . . . . FOP-3-2-4  
HZW5-24811-U01 . . . . . FOP-3-4  
HZW5-24811-U01 . . . . . FOP-3-2-5  
HZW5-24812-U01 . . . . . FOP-3-5  
HZW5-24812-U01 . . . . . FOP-3-2-6  
HZW5-24813-U01 . . . . . FOP-3-6  
HZW5-24813-U01 . . . . . FOP-3-2-7  
HZW5-24813-U21 . . . . . FOP-3-2-8  
HZW5-24814-U01 . . . . . FOP-3-7  
HZW5-24814-U01 . . . . . FOP-3-2-9  
HZW5-24815-U01 . . . . . FOP-3-8  
HZW5-24816-U01 . . . . . FOP-3-9  
HZW5-24816-U01 . . . . . FOP-3-2-10  
HZW5-24816-U01 . . . . . FOP-3-4-8  
HZW5-24817-U01 . . . . . FOP-3-10  
HZW5-24817-U01 . . . . . FOP-3-2-11  
HZW5-24818-U01 . . . . . FOP-3-11  
HZW5-24818-U01 . . . . . FOP-3-2-12  
HZW5-24819-U01 . . . . . FOP-3-12  
HZW5-24819-U01 . . . . . FOP-3-2-13  
HZW5-24825-U01 . . . . . FOP-3-14  
HZW5-24825-U01 . . . . . FOP-3-2-15  
HZW5-24826-U01 . . . . . FOP-3-15  
HZW5-24826-U01 . . . . . FOP-3-2-16  
HZW5-24826-U01 . . . . . FOP-3-4-10  
HZW5-24831-U01 . . . . . FOP-3-16  
HZW5-24831-U01 . . . . . FOP-3-2-17  
HZW5-24831-U01 . . . . . FOP-3-17  
HZW5-24832-U01 . . . . . FOP-3-12  
HZW5-24832-U01 . . . . . FOP-3-2-18  
HZW5-24832-U01 . . . . . FOP-3-4-13  
HZW5-24834-U21 . . . . . FOP-3-2-19  
HZW5-32168-003 . . . . . E-18-56  
HZW5-35370-U02 . . . . . FOP-3-20  
HZW5-35370-U02 . . . . . FOP-3-2-22  
HZW5-35370-U12 . . . . . FOP-3-2-23  
HZW5-35665-003 . . . . . E-15-14  
HZW5-90002-013 . . . . . E-5-13  
HZW5-90011-010 . . . . . E-19-22  
HZW5-90018-000 . . . . . E-20-11-9  
HZW5-90018-000 . . . . . F-7-30-7  
HZW5-90021-U00 . . . . . FOP-7-2  
HZW5-90023-000 . . . . . F-2-24  
HZW5-90101-U00 . . . . . FOP-3-22  
HZW5-90101-U00 . . . . . FOP-3-2-25  
HZW5-90101-U00 . . . . . FOP-3-4-20  
HZW5-90102-U00 . . . . . FOP-3-23  
HZW5-90102-U00 . . . . . FOP-3-2-26  
HZW5-90103-U01 . . . . . FOP-3-24  
HZW5-90103-U01 . . . . . FOP-3-2-27  
HZW5-90104-U00 . . . . . FOP-3-25  
HZW5-90104-U00 . . . . . FOP-3-258  
HZW5-90105-U01 . . . . . FOP-3-26  
HZW5-90105-U01 . . . . . FOP-3-2-29  
HZW5-90106-U00 . . . . . FOP-3-27  
HZW5-90106-U00 . . . . . FOP-3-2-30  
HZW5-90107-U00 . . . . . FOP-3-28  
HZW5-90107-U00 . . . . . FOP-3-2-31  
HZW5-90108-U00 . . . . . FOP-3-2-32  
HZW5-90109-000 . . . . . FOP-4-23  
HZW5-90109-000 . . . . . FOP-4-1-15  
HZW5-90203-010 . . . . . E-19-25  
HZW5-90301-U00 . . . . . FOP-3-29  
HZW5-90301-U00 . . . . . FOP-3-2-33  
HZW5-90302-003 . . . . . F-10-48  
HZW5-90302-U21 . . . . . FOP-3-2-34  
HZW5-90501-U00 . . . . . FOP-3-30  
HZW5-90501-U00 . . . . . FOP-3-2-35  
HZW5-90501-U00 . . . . . FOP-3-4-26  
HZW5-90502-U00 . . . . . FOP-3-32  
HZW5-90502-U00 . . . . . FOP-3-2-37  
HZW5-90503-U00 . . . . . FOP-3-33  
HZW5-90503-U00 . . . . . FOP-3-328  
HZW5-90509-711 . . . . . F-5-16  
HZW5-90511-U00 . . . . . FOP-7-3  
HZW5-90512-U00 . . . . . FOP-7-4  
HZW5-90601-030 . . . . . E-18-10-18  
HZW5-90602-030 . . . . . E-18-10-20  
HZW5-91201-003 . . . . . E-5-17  
HZW5-91202-003 . . . . . E-6-10-44  
HZW5-91251-003 . . . . . F-2-37  
HZW7-24810-U01 . . . . . FOP-3-4-2  
HZW7-24811-U01 . . . . . FOP-3-4-3  
HZW7-24812-U01 . . . . . FOP-3-4-4  
HZW7-24813-U01 . . . . . FOP-3-4-5  
HZW7-24814-U01 . . . . . FOP-3-4-6  
HZW7-24815-U01 . . . . . FOP-3-4-7  
HZW7-24817-U01 . . . . . FOP-3-4-9  
HZW7-24832-U01 . . . . . FOP-3-4-14  
HZW7-24833-U01 . . . . . FOP-3-4-15  
HZW7-32530-U00 . . . . . FOP-3-19  
HZW7-32530-U00 . . . . . FOP-3-2-20  
HZW7-32530-U10 . . . . . FOP-3-2-21  
HZW7-32530-U20 . . . . . FOP-3-4-16  
HZW7-35370-U02 . . . . . FOP-3-4-17  
HZW7-87703-U00 . . . . . FOP-3-4-19  
HZW7-90101-U01 . . . . . FOP-3-4-21  
HZW7-90102-U01 . . . . . FOP-3-4-22  
HZW7-90103-U01 . . . . . FOP-3-4-23  
HZW7-90104-U01 . . . . . FOP-3-4-24  
HZW7-90301-U01 . . . . . FOP-3-4-25  
HZW7-90502-U00 . . . . . FOP-3-4-27  
HZW9-19279-000 . . . . . E-6-10-8  
HZW9-19291-000 . . . . . E-6-10-10  
HZW9-19297-000 . . . . . E-6-10-16  
HZW9-32114-730 . . . . . E-1-15  
HZW9-32114-730 . . . . . E-3-19  
HZW9-35490-003 . . . . . E-3-22  
HZW9-87702-800 . . . . . FOP-3-6-49  
HZW9-90005-000 . . . . . F-10-34  
HZW9-90008-000 . . . . . FOP-3-6-50  
HZW9-90009-000 . . . . . F-10-35  
HZW9-90011-000 . . . . . E-1-20





HZY3-32112-000. . . . .E-14-17  
HZY3-32116-000. . . . .E-3-20  
HZY3-32128-000. . . . .E-14-10-8  
HZY3-32129-000. . . . .E-1-16  
HZY3-32193-C00. . . . .E-3-21  
HZY3-32370-H01. . . . .F-7-30-1  
HZY3-32371-H01. . . . .F-7-30-2  
HZY3-32411-003. . . . .F-7-11-4  
HZY3-32419-A00. . . . .F-8-10-1  
HZY3-32421-000. . . . .F-8-10-2  
HZY3-34750-E01. . . . .E-20-11-1  
HZY3-34754-C00. . . . .E-20-11-5  
HZY3-35476-010. . . . .F-2-19  
HZY3-35477-000. . . . .F-2-20  
HZY3-35490-004. . . . .E-3-23  
HZY3-35640-013. . . . .F-3-20-5  
HZY3-35645-000. . . . .F-3-20-6  
HZY3-35655-C01. . . . .E-4-13  
HZY3-35660-003. . . . .F-10-7  
HZY3-35673-003. . . . .E-3-24  
HZY3-35673-003. . . . .E-4-14  
HZY3-35695-003. . . . .E-13-10-6  
HZY3-35700-003. . . . .E-3-25  
HZY3-36122-013. . . . .F-11-6  
HZY3-36123-013. . . . .F-11-7  
HZY3-36163-003. . . . .E-14-10-10  
HZY3-36362-000. . . . .E-18-43  
HZY3-36550-003. . . . .E-15-15  
HZY3-36620-000. . . . .E-18-44  
HZY3-40105-C01. . . . .F-8-10-3  
HZY3-40114-010. . . . .F-3-20-8  
HZY3-40119-003. . . . .F-8-10-4  
HZY3-40151-000ZC. . . . .F-3-20-9  
HZY3-40154-000ZA. . . . .F-8-10-5  
HZY3-40155-000. . . . .F-8-10-6  
HZY3-40157-000. . . . .F-8-10-7  
HZY3-40158-000. . . . .F-8-10-8  
HZY3-40159-000. . . . .F-8-10-9  
HZY3-40201-020ZC. . . . .F-3-20-10  
HZY3-40201-612ZC. . . . .F-3-20-10  
HZY3-40204-000. . . . .F-4-13  
HZY3-40210-610. . . . .F-3-20-12  
HZY3-40212-010ZC. . . . .F-3-20-2  
HZY3-40212-611ZC. . . . .F-3-20-13  
HZY3-40219-013. . . . .F-10-9  
HZY3-40219-013. . . . .F-11-11  
HZY3-40225-010. . . . .F-3-20-14  
HZY3-40226-010. . . . .F-3-20-15  
HZY3-41100-C03ZC. . . . .F-3-10-1  
HZY3-41100-C13ZC. . . . .F-3-10-1  
HZY3-41101-C00ZC. . . . .F-3-4  
HZY3-41104-C01. . . . .F-3-7  
HZY3-41105-C01. . . . .F-3-8  
HZY3-41112-010. . . . .F-4-  
HZY3-41112-611. . . . .F-4-14  
HZY3-41116-000. . . . .F-4-15  
HZY3-41130-C00. . . . .F-5-8  
HZY3-41151-C00. . . . .F-5-9  
HZY3-41161-A00. . . . .F-5-10  
HZY3-41179-A00. . . . .F-10-12  
HZY3-41201-C00ZC. . . . .F-5-11  
HZY3-41202-000. . . . .F-5-12  
HZY3-50100-A01. . . . .F-10-  
HZY3-50100-A11. . . . .F-10-13  
HZY3-50109-000. . . . .F-10-14  
HZY3-50111-020. . . . .F-3-20-16  
HZY3-50151-000. . . . .F-10-15  
HZY3-50153-000. . . . .F-10-16  
HZY3-50155-000. . . . .F-3-20-17  
HZY3-50157-010. . . . .F-3-20-18  
HZY3-50161-000ZD. . . . .F-10-  
HZY3-50161-610. . . . .F-10-17  
HZY3-50166-000. . . . .F-10-18  
HZY3-50168-000. . . . .F-10-19  
HZY3-50201-C01ZD. . . . .F-10-  
HZY3-50201-C11ZC. . . . .F-10-20  
HZY3-50209-A00. . . . .F-10-21  
HZY3-50211-000. . . . .F-10-22  
HZY3-50214-000. . . . .F-10-23  
HZY3-50301-030ZC. . . . .F-10-24  
HZY3-50311-020ZC. . . . .F-10-25  
HZY3-50381-000. . . . .F-10-26  
HZY3-50388-U00. . . . .FOP-9-1  
HZY3-50388-U10. . . . .FOP-9-2  
HZY3-50522-000. . . . .F-10-27  
HZY3-50527-000. . . . .F-10-28  
HZY3-50529-000. . . . .F-10-29  
HZY3-56100-013. . . . .F-11-14  
HZY3-56120-013. . . . .F-11-21  
HZY3-56170-013. . . . .F-11-23  
HZY3-56516-A00. . . . .F-10-30  
HZY3-56518-A00. . . . .F-10-31  
HZY3-56519-A00. . . . .F-10-32  
HZY3-56532-000. . . . .F-11-26  
HZY3-58130-T00. . . . .FOP-10-1  
HZY3-58130-T10. . . . .FOP-10-  
HZY3-58130-T20. . . . .FOP-10-  
HZY3-58130-T30. . . . .FOP-10-  
HZY3-58130-T40. . . . .FOP-10-  
HZY3-58130-T50. . . . .FOP-10-  
HZY3-58130-V01ZA. . . . .FOP-10-  
HZY3-58130-V11ZA. . . . .FOP-10-  
HZY3-58130-V21ZA. . . . .FOP-10-  
HZY3-58130-V31ZA. . . . .FOP-10-  
HZY3-58130-V41ZA. . . . .FOP-10-  
HZY3-58130-V51ZA. . . . .FOP-10-  
HZY3-60180-C01. . . . .F-8-10-12  
HZY3-60185-C01. . . . .F-8-10-13  
HZY3-63102-010. . . . .F-8-4  
HZY3-63107-000. . . . .F-8-5  
HZY3-63108-000. . . . .F-8-6  
HZY3-63111-310ZD. . . . .F-8-7  
HZY3-63143-H00. . . . .F-8-9  
HZY3-63201-000ZC. . . . .F-8-10-14  
HZY3-63205-000. . . . .F-8-10-15  
HZY3-63208-000. . . . .F-8-10-16  
HZY3-63212-000. . . . .F-8-10-17  
HZY3-63223-000. . . . .F-8-10-18  
HZY3-63224-000. . . . .F-8-10-19  
HZY3-63225-000. . . . .F-8-10-20  
HZY3-63226-000. . . . .F-8-10-21  
HZY3-63230-C00. . . . .F-8-10-22  
HZY3-63347-C00. . . . .F-3-20-19  
HZY3-63710-C00ZC. . . . .F-3-20-20  
HZY3-63715-C01ZC. . . . .F-3-20-21  
HZY3-63718-000. . . . .F-3-20-22  
HZY3-63722-010ZC. . . . .F-3-20-24  
HZY3-63728-000. . . . .F-3-20-25  
HZY3-63729-003. . . . .F-8-10-25  
HZY3-63731-A03ZC. . . . .F-3-20-  
HZY3-63731-A12ZC. . . . .F-3-20-26  
HZY3-63736-A03ZC. . . . .F-3-20-  
HZY3-63736-A12ZC. . . . .F-3-20-27  
HZY3-63751-C00. . . . .F-3-20-28  
HZY3-63756-C00. . . . .F-3-20-29  
HZY3-87121-R00. . . . .F-12-4  
HZY3-90001-000. . . . .E-3-26  
HZY3-90002-000. . . . .E-21-19  
HZY3-90003-000. . . . .E-21-20  
HZY3-90006-003. . . . .E-3-27  
HZY3-90007-000. . . . .E-13-10-7  
HZY3-90008-003. . . . .E-3-28  
HZY3-90009-003. . . . .E-3-29  
HZY3-90010-000. . . . .E-6-10-26  
HZY3-90011-000. . . . .E-6-10-27  
HZY3-90013-000. . . . .E-6-10-28  
HZY3-90015-000. . . . .E-6-10-29  
HZY3-90017-000. . . . .E-3-31  
HZY3-90017-000. . . . .E-18-48  
HZY3-90017-000. . . . .E-19-23  
HZY3-90017-000. . . . .F-2-23  
HZY3-90018-000. . . . .E-13-10-9  
HZY3-90021-000. . . . .E-3-33  
HZY3-90021-000. . . . .E-14-21  
HZY3-90021-000. . . . .E-18-49  
HZY3-90021-000. . . . .F-8-10-27  
HZY3-90023-000. . . . .E-14-10-14  
HZY3-90026-000. . . . .E-3-10-7  
HZY3-90026-000. . . . .E-9-14  
HZY3-90027-000. . . . .E-4-17  
HZY3-90028-000. . . . .E-3-34  
HZY3-90029-000. . . . .E-14-10-15  
HZY3-90030-000. . . . .E-3-35  
HZY3-90030-000. . . . .E-3-10-8  
HZY3-90030-000. . . . .E-6-10-30  
HZY3-90030-000. . . . .E-13-22  
HZY3-90030-000. . . . .E-15-19  
HZY3-90031-000. . . . .E-3-10-9  
HZY3-90031-000. . . . .E-6-10-31  
HZY3-90031-000. . . . .E-14-10-16  
HZY3-90034-000. . . . .E-4-18  
HZY3-90034-000. . . . .E-15-20  
HZY3-90035-000. . . . .E-9-15  
HZY3-90036-000. . . . .E-1-22  
HZY3-90037-000. . . . .E-15-21  
HZY3-90038-000. . . . .E-3-36  
HZY3-90039-000. . . . .E-13-24  
HZY3-90040-000. . . . .E-13-25  
HZY3-90041-000. . . . .E-3-10-10  
HZY3-90042-000. . . . .E-14-22  
HZY3-90043-000. . . . .E-14-23  
HZY3-90044-000. . . . .E-14-24  
HZY3-90045-000. . . . .E-6-10-32  
HZY3-90046-000. . . . .E-6-10-33  
HZY3-90047-000. . . . .E-6-10-34  
HZY3-90049-000. . . . .E-6-10-35  
HZY3-90050-000. . . . .E-18-50  
HZY3-90053-010. . . . .E-6-9  
HZY3-90054-000. . . . .E-18-57  
HZY3-90055-000. . . . .E-19-24  
HZY3-90056-000. . . . .E-18-2-27  
HZY3-90058-000. . . . .E-14-10-17  
HZY3-90059-000. . . . .E-6-10-36  
HZY3-90063-000. . . . .E-3-10-11  
HZY3-90082-003. . . . .E-3-10-12  
HZY3-90102-A00. . . . .F-3-20-31  
HZY3-90104-010. . . . .F-10-39  
HZY3-90105-010. . . . .F-3-20-32  
HZY3-90106-A00. . . . .F-8-10-31  
HZY3-90107-000. . . . .F-7-11-16  
HZY3-90109-010. . . . .F-8-11  
HZY3-90111-000. . . . .F-3-20-34  
HZY3-90113-C00. . . . .F-3-20-36  
HZY3-90116-000. . . . .FOP-2-9  
HZY3-90117-000. . . . .F-10-43  
HZY3-90120-000. . . . .F-3-14  
HZY3-90122-000. . . . .F-3-20-37  
HZY3-90123-000. . . . .F-5-13  
HZY3-90124-000. . . . .F-3-15  
HZY3-90129-A00. . . . .F-3-20-38  
HZY3-90132-000. . . . .F-3-20-39  
HZY3-90134-000. . . . .F-3-20-  
HZY3-90204-000. . . . .E-3-10-15  
HZY3-90205-000. . . . .E-14-25  
HZY3-90205-000. . . . .E-14-10-19  
HZY3-90302-000. . . . .F-3-20-42  
HZY3-90303-000. . . . .F-4-19  
HZY3-90304-000. . . . .F-7-11-18  
HZY3-90405-000. . . . .F-7-11-19  
HZY3-90406-000. . . . .E-1-23  
HZY3-90501-A00. . . . .F-10-54  
HZY3-90503-610. . . . .F-3-20-43  
HZY3-90504-A00. . . . .F-10-57  
HZY3-90506-000. . . . .F-5-15  
HZY3-90507-000. . . . .F-8-14  
HZY3-90508-000. . . . .E-15-22  
HZY3-90508-000. . . . .F-2-32  
HZY3-90509-000. . . . .F-10-58  
HZY3-90510-000. . . . .F-10-59  
HZY3-90511-000. . . . .F-3-20-44  
HZY3-90512-000. . . . .F-5-17  
HZY3-90528-000. . . . .F-5-18  
HZY3-90529-000. . . . .F-5-  
HZY3-90530-000. . . . .F-5-  
HZY3-90531-000. . . . .F-5-  
HZY3-90548-000. . . . .F-5-19  
HZY3-90549-000. . . . .F-5-  
HZY3-90550-000. . . . .F-5-  
HZY3-90551-000. . . . .F-5-  
HZY3-90552-000. . . . .F-5-  
HZY3-90553-000. . . . .F-5-  
HZY3-90554-000. . . . .F-5-  
HZY3-90555-000. . . . .F-5-  
HZY3-90556-000. . . . .F-5-  
HZY3-90557-000. . . . .F-5-  
HZY3-90558-000. . . . .F-5-  
HZY3-90559-000. . . . .F-5-  
HZY3-90560-000. . . . .F-5-  
HZY3-90601-030. . . . .E-18-10-19  
HZY3-90602-020. . . . .E-1-24  
HZY3-90603-020. . . . .E-4-22  
HZY3-90604-020. . . . .E-4-23  
HZY3-90652-000. . . . .F-3-20-49  
HZY3-90653-003. . . . .F-7-4  
HZY3-90741-000. . . . .E-13-27  
HZY3-90751-000. . . . .F-2-35  
HZY3-90752-003. . . . .F-4-22  
HZY3-90752-003. . . . .FOP-2-11  
HZY3-91001-003. . . . .E-6-10-43  
HZY3-91051-003. . . . .F-5-23  
HZY3-91053-003. . . . .F-4-24  
HZY3-91055-003. . . . .F-5-24  
HZY3-91057-003. . . . .F-5-25  
HZY3-91151-000. . . . .F-5-26  
HZY3-91152-003. . . . .F-2-36  
HZY3-91212-003. . . . .E-3-40  
HZY3-91251-C01. . . . .F-3-27  
HZY3-91251-C01. . . . .F-4-26  
HZY3-91254-003. . . . .F-3-29  
HZY3-91254-003. . . . .F-4-27  
HZY3-91255-003. . . . .F-2-38  
HZY3-91301-003. . . . .E-4-24  
HZY3-91303-000. . . . .E-21-23  
HZY3-91304-000. . . . .E-6-10-46  
HZY3-91305-003. . . . .E-6-10-47  
HZY3-91306-003. . . . .E-6-10-48  
HZY3-91351-C00. . . . .F-3-33  
HZY3-91351-C00. . . . .F-5-28  
HZY3-91356-003. . . . .F-4-29  
HZY3-91356-003. . . . .FOP-2-12  
HZY3-91358-003. . . . .F-4-30  
HZY3-91358-003. . . . .FOP-2-13  
HZY3-91359-003. . . . .F-4-31  
HZY3-91359-003. . . . .FOP-2-14  
HZY3-91401-A00. . . . .E-1-29  
HZY3-91402-020. . . . .E-1-30  
HZY3-91403-000. . . . .E-1-31  
HZY3-91404-000. . . . .E-6-10-49  
HZY3-91405-000. . . . .E-6-10-50  
HZY3-91451-000. . . . .F-3-20-52  
HZY3-91508-000. . . . .E-13-10-10  
HZY3-91551-000. . . . .F-4-32  
HZY3-91551-000. . . . .FOP-2-15  
HZY3-91552-000. . . . .F-3-20-  
HZY3-91556-000. . . . .F-8-15  
HZY3-91560-000. . . . .F-10-71  
HZY3-91651-003. . . . .F-3-20-55  
HZY6-16450-003. . . . .E-14-1  
HZY6-16718-013. . . . .E-18-30  
HZY6-16723-003. . . . .E-18-32  
HZY6-19269-000. . . . .E-18-10-16  
HZY6-24320-000. . . . .F-4-  
HZY6-24320-610. . . . .F-4-11  
HZY6-32414-640. . . . .F-7-11-6  
HZY6-36135-003. . . . .E-18-10-17  
HZY6-38235-004. . . . .F-7-30-4  
HZY6-39794-003. . . . .F-7-30-6  
HZY6-90103-000. . . . .F-3-13  
HZY6-90103-000. . . . .F-10-38  
HZY6-90135-004. . . . .F-7-30-8  
HZY6-91553-000. . . . .F-3-20-53  
HZY9-17315-000. . . . .E-15-9  
HZY9-30419-000. . . . .E-20-4  
HZY9-30419-003. . . . .E-20-11-2  
HZY9-30419-003. . . . .F-7-11-1  
HZY9-32103-000. . . . .F-7-11-2  
HZY9-38553-003. . . . .E-20-11-6  
HZY9-56115-003. . . . .F-11-17  
HZY9-87538-U80. . . . .F-12-16  
HZY9-90017-000. . . . .E-15-18  
HZY9-90105-000. . . . .E-20-3  
HZZ0-90101-000. . . . .F-3-12  
HZZ3-06240-R30. . . . .FOP-3-1  
HZZ3-06240-R40. . . . .FOP-3-4-1  
HZZ3-06240-R60. . . . .FOP-3-2-1  
HZZ3-06323-R00. . . . .FOP-4-1  
HZZ3-06323-R10. . . . .FOP-4-1-1  
HZZ3-06323-R20. . . . .FOP-4-  
HZZ3-06323-R30. . . . .FOP-4-1-1  
HZZ3-06328-762. . . . .FOP-12-1  
HZZ3-24800-R00. . . . .FOP-3-6

HZZ3-24800-R50 . . . . .FOP-3-6-1  
HZZ3-24820-R11 . . . . .FOP-3-13  
HZZ3-24820-R21 . . . . .FOP-3-2-14  
HZZ3-24830-R41 . . . . .FOP-3-4-11  
HZZ3-32101-000. . . . .E-20-11-3  
HZZ3-32127-000. . . . .F-7-2  
HZZ3-32341-R01 . . . . .FOP-4-6  
HZZ3-32341-R31 . . . . .FOP-4-  
HZZ3-32346-R01 . . . . .FOP-4-7  
HZZ3-32346-R11 . . . . .FOP-4-1-3  
HZZ3-32346-R21 . . . . .FOP-4-  
HZZ3-32346-R31 . . . . .FOP-4-1-  
HZZ3-32347-R01 . . . . .FOP-4-8  
HZZ3-35100-R11 . . . . .FOP-3-6-38  
HZZ3-35100-R11 . . . . .FOP-4-14  
HZZ3-35100-R11 . . . . .FOP-4-1-7  
HZZ3-37205-R01 . . . . .FOP-4-18  
HZZ3-87301-R00 . . . . .F-12-8  
HZZ3-87701-R00 . . . . .FOP-3-6-  
HZZ3-87701-R40 . . . . .FOP-3-4-18  
HZZ3-87701-R50 . . . . .FOP-3-6-47  
HZZ3-87703-R01 . . . . .FOP-3-2-24  
HZZ3-87703-R81 . . . . .FOP-3-21  
HZZ3-91252-003. . . . .F-3-28  
HZZ3-91252-003. . . . .F-5-27  
HZZ5-06325-600. . . . .FOP-4-2  
HZZ5-06325-700. . . . .FOP-4-  
HZZ5-06325-800. . . . .FOP-4-  
HZZ5-16901-003. . . . .E-18-2-14  
HZZ5-16906-003. . . . .E-18-2-16  
HZZ5-16915-000. . . . .E-18-2-20  
HZZ5-16918-003. . . . .E-18-2-22  
HZZ5-16919-003. . . . .E-18-2-24  
HZZ5-32185-600. . . . .FOP-4-5  
HZZ5-32185-700. . . . .FOP-4-  
HZZ5-32185-800. . . . .FOP-4-  
HZZ5-32530-000. . . . .FOP-3-6-34  
HZZ5-32545-000. . . . .FOP-4-9  
HZZ5-32545-000. . . . .FOP-4-1-4  
HZZ5-32580-600. . . . .FOP-4-10  
HZZ5-32580-700. . . . .FOP-4-  
HZZ5-32580-800. . . . .FOP-4-  
HZZ5-37210-013. . . . .FOP-3-6-44  
HZZ5-37210-712. . . . .FOP-4-1-11  
HZZ5-37210-762. . . . .FOP-4-19  
HZZ5-38414-003. . . . .FOP-4-22  
HZZ5-38414-003. . . . .FOP-4-1-14  
HZZ5-87701-790. . . . .FOP-3-6-48  
HZZ5-91501-000. . . . .F-7-11-23



**TOHATSU CORPORATION**

**Address : 5-4,3-chome,Azusawa,Itabashi-ku,  
TOKYO,174-0051 JAPAN**

**Phone : TOKYO (03)3966-3117**

**FAX : TOKYO (03)3966-0090**

**Website : [www.tohatsu.co.jp](http://www.tohatsu.co.jp)**

**2015  
PARTS CATALOG**

**BFT 200A  
BFT 225A**