

FOUR
STROKE

MFS9.8A₃



Exceed the European
Union emission standards.



California C.A.R.B.
three star rating
for ultra-low emissions.

FOUR
STROKE

Specifications

Type		Four Stroke
Maximum output	KW (PS)	7.2 (9.8)
Maximum operating range	r/min	5000-6000
Fuel consumption at W.O.T	L/Hr (gal/Hr)	3.8 (1.0)
Number of cylinder		2
Bore x Stroke	mm (in)	55x44 (2.17x1.73)
Displacement	ml (Cu in)	209 (12.75)
Engine lubrication system		Trochoid pump
Starting system		Manual or Electric starter
Spark plug		NGK DCPR6E
Ignition timing	degree	BTDC0°- BTDC35°
Alternator output		Certain model: 12V 80W 6A
Engine oil		4-Stroke Engine Oil
Engine oil capacity	L (qt)	0.8 (0.85)
Fuel tank capacity	L (gal)	12 (3.17)
Speed control		Twist grip type or Remote control
Gear reduction ratio		2.08 (13:27)
Emission Compliance		EU & EPA & CARB 3-Star

FOUR STROKE

Specifications and descriptions are subject to change without notice.

Standard & Optional Equipments

Type	S/L/UL	EFS/L	EPS/L	EFTS/L	EPTS/L
Electric Starter	●	●	●	●	●
Manual Recoil Starter	●	●	●	●	●
Decompression Release	-	-	-	-	-
Engine Stop Switch Lanyard	●	●	●	●	●
Alternator	○	●	●	●	●
Rectifier	○	●	●	●	●
Power Tilt	-	-	-	●	●
Transom	15/20/25	15/20	15/20	15/20	15/20
Propeller	●	●	●	●	●
Analog Tachometer	○	○	○	○	○
Analog Trim Meter	-	-	-	○	○
Remote Control Box	-	-	●	-	●
12L (3.1 Gal) Plastic Fuel Tank	●	●	●	●	●
Tool Kit	●	●	●	●	●
Emergency Starter Rope	●	●	●	●	●
Spare Spark Plug	●	●	●	●	●
Owners Manual	●	●	●	●	●

● Standard ○ Optional



2-Cylinder



Alternator (Electric Model)



Charging System (Electric Model)



Thermostat



Manual Start Back-Up



Throttle Friction



Front Shift Control



Simple Steering Friction Lever



Power Tilt



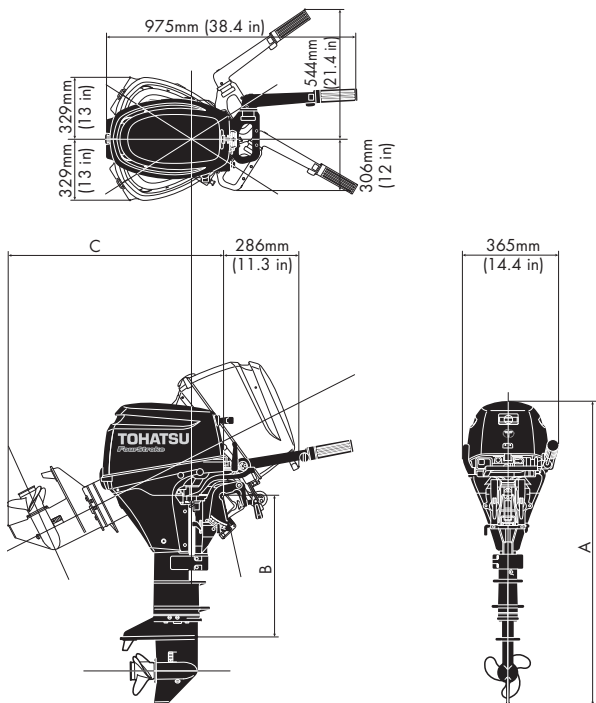
High Solid Paint Coating



Light Weight

FOUR STROKE

Dimensions / Abmessungen



Dry Weight / Trockengewicht (kg/lbs)

Model	MF	EP
Transom S:	37.0 (82)	40.0 (88)
Transom L:	38.0 (84)	41.0 (91)

Dimensions / Abmessungen

(mm/in)

Model	A	B	C
Transom S:	1035 (40.7)	435 (17.1)	709 (27.9)
Transom L:	1162 (45.7)	562 (22.1)	836 (32.9)