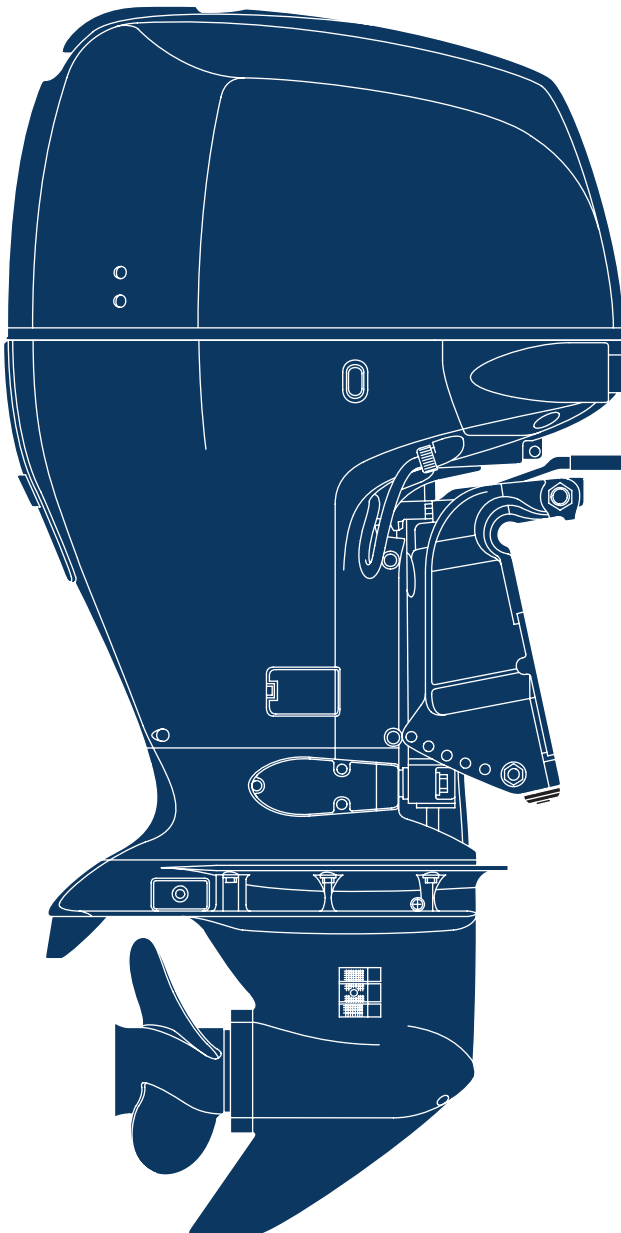


2015 PARTS CATALOG

 TOHATSU



BFT 115A

OB NO.002-13ZX1-1
1411EU/EX

Instruction for use of parts catalogue

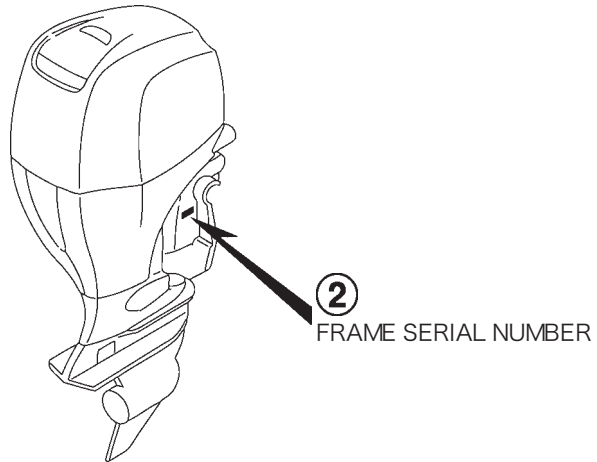
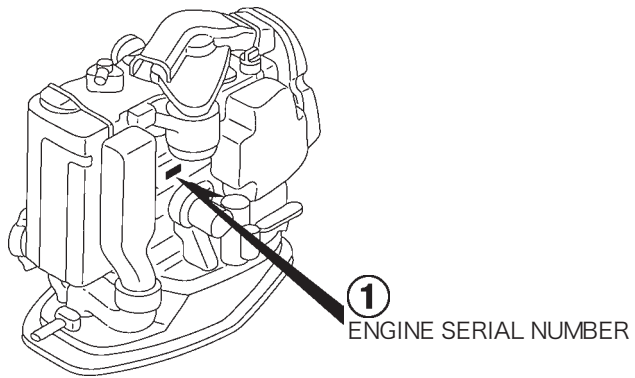
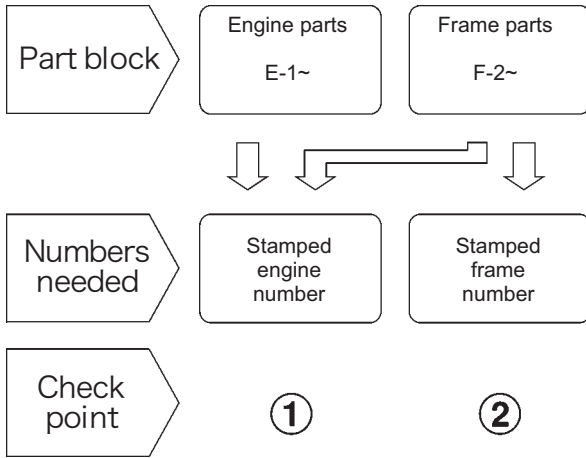
- **This parts catalogue was prepared based on the latest information available as of October 1, 2014.**
- See the Service Bulletin for any revision that is made after October 1, 2014.
- **Always specify the part number when ordering a part.**
 - Check the model, type, serial numbers, color, maker, and the size as needed before ordering a part.
 - Note that the illustrations (part drawings) can differ from the actual parts in shape.
Illustrations are given just to help you to refer to the parts.
- **When modifications or additions to this parts catalogue are made, a revised edition will be issued at an appropriate time, with successively progressing revision numbers on the cover. We recommend obtaining such revisions in order to keep your parts catalogue up-to-date at all times.**

Initial version issue date October 1, 2014

CONTENTS

E-1	CYLINDER HEAD COVER	1
E-3	CYLINDER BLOCK	3
E-4	EXHAUST PIPE	7
E-4-10	WATER HOSE	9
E-5	OIL PUMP/FLYWHEEL	11
E-6	OIL PAN	13
E-7	CRANKSHAFT/PISTON	15
E-9	CAMSHAFT/VALVE	19
E-9-10	CHAIN CASE/THARMOSTAT	23
E-9-20	CYLINDER HEAD	25
E-10	BALANCER SHAFT	29
E-13	A.C.G BELT/SILENCER DUCT	31
E-14	INTAKE MANIFOLD/INJECTOR	33
E-15	THROTTLE BODY	37
E-18	FUEL PUMP/FUEL HOSE	39
E-18-1	WATER SEPARATOR	43
E-18-10	VAPOR SEPARATOR ASSY	45
E-19	A.C.GENERATOR	49
E-20	IGNITION COIL/SPARK PLUG	53
E-20-10	ELECTRONIC CONTROL UNIT	55
E-21	STARTER MOTOR	57
F-2	SHIFT SHAFT	61
F-3	GEAR CASE	65
F-3-10	GEAR CASE ASSY	67
F-3-20	EXTENSION CASE	69
F-4	WATER PUMP/VERTICAL SHAFT	71
F-5	PROPELLER SHAFT/PROPELLER (LD/LU/XU)	75
F-6	FUEL TUBE	79
F-7	WIRE HARNESS	81
F-7-10	STARTER CABLE	83
F-7-20	FUSE BOX/RELAY	85
F-7-30	CLAMP	87
F-8	ENGINE COVER ASSY	89
F-8-10	FR.COVER BRACKET/FR.LOCK	91
F-8-20	UNDER COVER	93
F-9	MOUNT CASE	95
F-10	STERN BRACKET/SWIVEL CASE	99
F-11	POWER TRIM-TILT	105
F-12	LABELS	109
F-13	TOOLS	111
FOP-1	RIGGGING HOSE KIT	113
FOP-2	METER	115
FOP-6	CONTROL PANEL (1)	117
FOP-6-1	CONTROL PANEL (2)	119
FOP-7	TRIM ADJUST PLATE SET	121
FOP-8	REMOTE CONTROL (TOP MOUNT SINGLE TYPE) (RIGHT)	123
FOP-8-2	REMOTE CONTROL (TOP MOUNT DUAL TYPE) (RIGHT)	127
FOP-8-4	REMOTE CONTROL (FLUSH MOUNT TYPE) (RIGHT)	131
FOP-8-6	REMOTE CONTROL	133
FOP-9	BOLT KIT	139
FOP-10	WATER PUMP IMPELLER KIT (1)	141
FOP-10-1	WATER PUMP IMPELLER KIT (2)	143
FOP-11	INTERFACE CABLE KIT	145
FOP-12	TROLLING CONTROL SWITCH	147
FOP-13	SPEED SENSOR TUBE KIT	149
INDEX		151
INDEX (Parts Number)		157

How to check the part block and serial numbers



Models, parts catalogue codes and applicable serial numbers

- Models, parts catalogue codes and applicable serial Nos. given in this parts catalogue can be identified as follows.

Model	Type	Parts catalogue type	Engine		Applicable engine serial No.	Applicable frame serial No.
			Model	Type		
BFT 115A	LD	LD	BFT 115D	SE1	BEBHJ-1000001~	BBHJ-6000079~
	LU	LU				
	XU	XU				

Features of each type

- See the following table for the features of each type. (Items in brackets are optional)

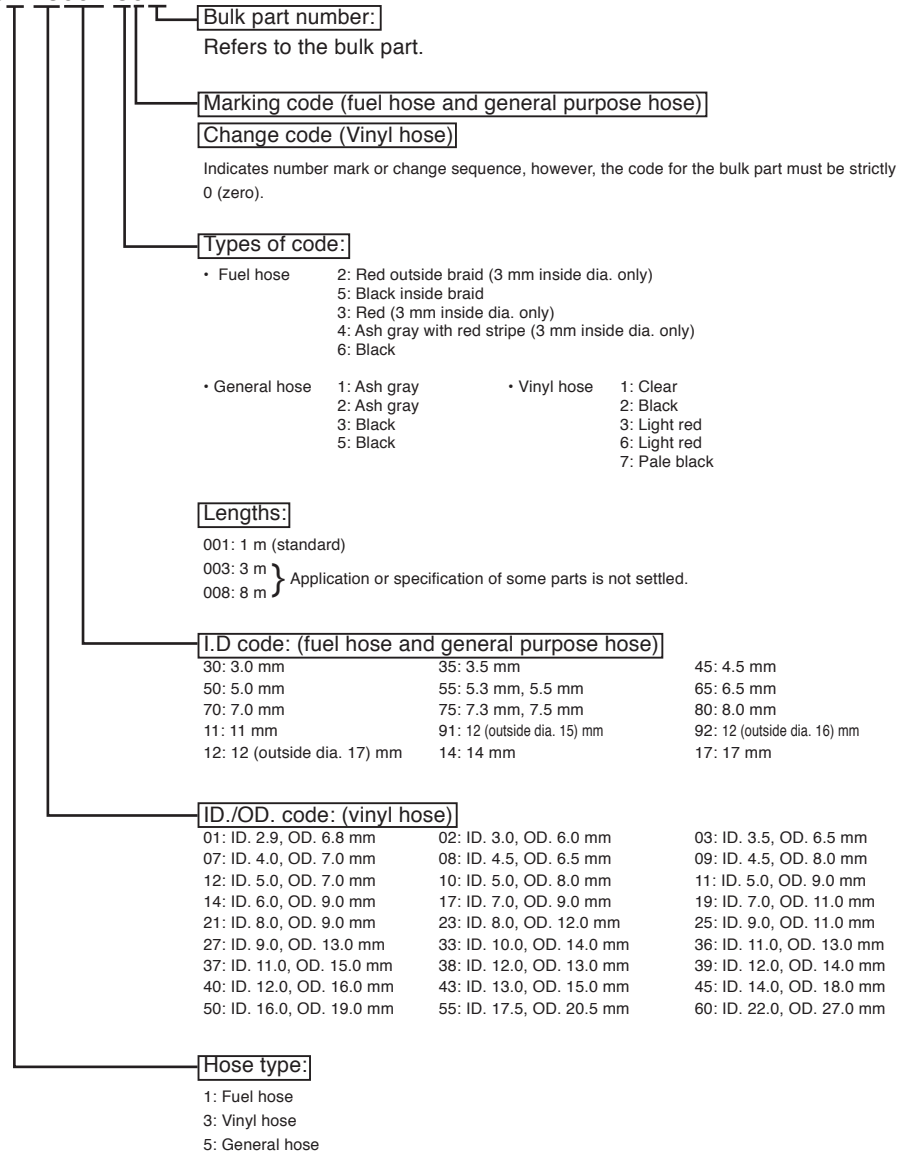
Specifications		Model	BFT 115A		
		Type	LD	LU	XU
Transom height	508 mm		●	●	
	635 mm				●
Propeller	14-1/2 x 15		(●)	(●)	(●)
	14-1/4 x 17		(●)	(●)	(●)
	14 x 19		(●)	(●)	(●)
	14 x 21		(●)	(●)	(●)
	14-1/2 x 23		(●)	(●)	(●)
	14 x 25		(●)	(●)	(●)
	15-1/2 x 13		(●)	(●)	(●)
	15-1/4 x 15		(●)	(●)	(●)
	15 x 17		(●)	(●)	(●)
	14-3/4 x 19		(●)	(●)	(●)
	14-1/2 x 21		(●)	(●)	(●)
	14-1/4 x 23		(●)	(●)	(●)

Fuel hose, general purpose hoses and vinyl hose

- The standard part fuel hose, general purpose hose and vinyl hose may be substituted by the coiled bulk part.
- When ordering the standard part fuel hose, general purpose hose and vinyl hose use the bulk part number written in the parts catalog in brackets () underneath the part name.
- When exchanging the hose, cut and use at the specified length as mentioned in the part name. (For the method of cutting the bulk part, and method of filling out orders etc., please refer to the instructions issued with the bulk part.)

Bulk part number of fuel hose, general purpose hose and vinyl hose.

Example: 95001-75001-50M

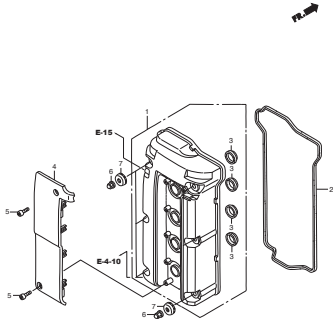


CAUTION: It is DANGEROUS to confuse the fuel hose with the general purpose hose or vinyl hose.

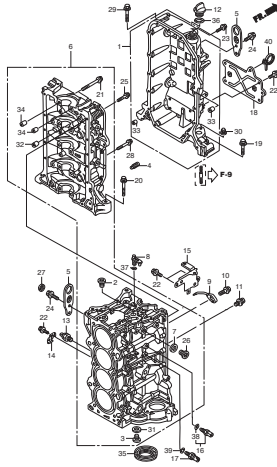
Never use a general purpose hose or vinyl hose in place of a fuel hose or vice versa.

Always use the correct bulk part in the parts catalogue, according to the service manual or the instructions issued with the bulk part.

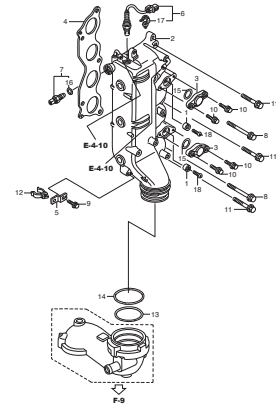
E-1 CYLINDER HEAD COVER



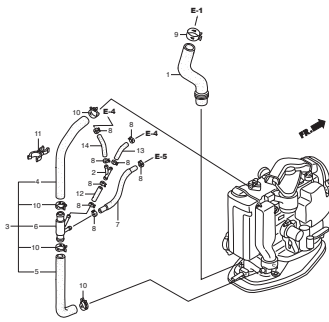
E-3 CYLINDER BLOCK



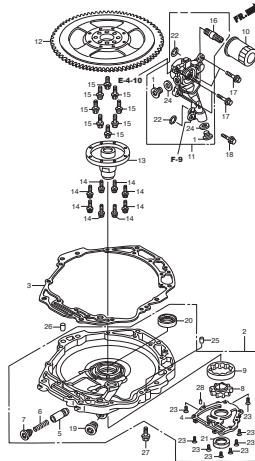
E-4 EXHAUST PIPE



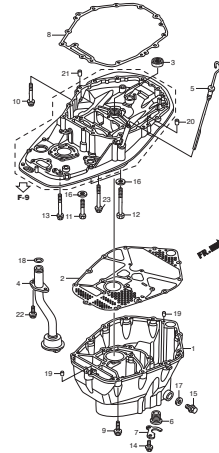
E-4-10 WATER HOSE



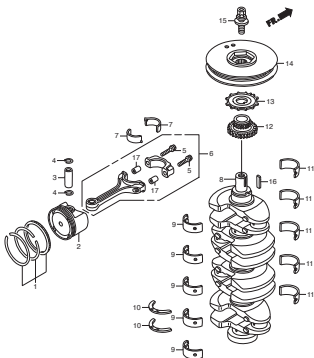
E-5 OIL PUMP/FLYWHEEL



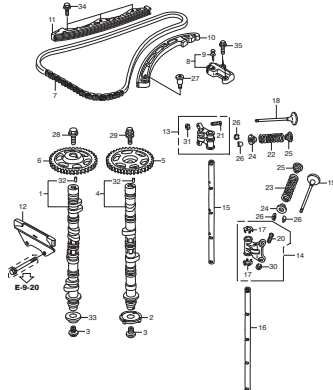
E-6 OIL PAN



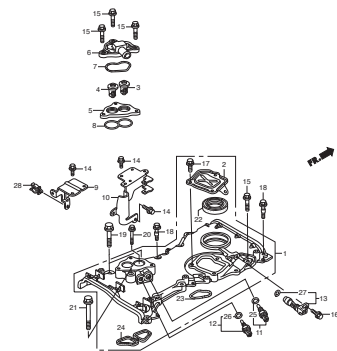
E-7 CRANKSHAFT/PISTON



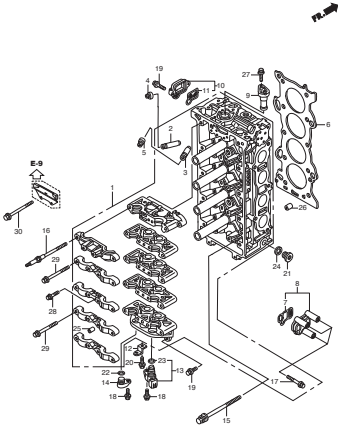
E-9 CAMSHAFT/VALVE



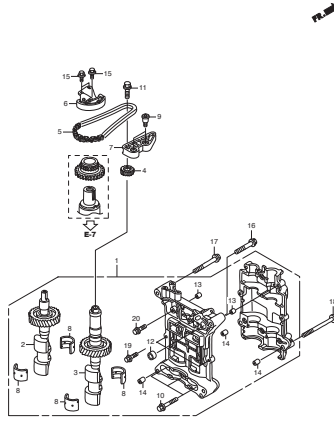
E-9-10 CHAIN CASE/THERMOSTAT



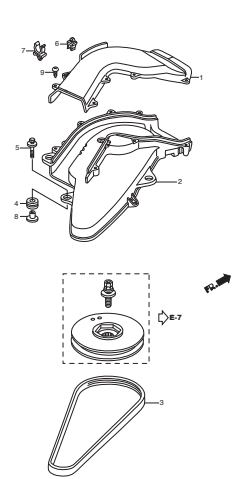
E-9-20 CYLINDER HEAD



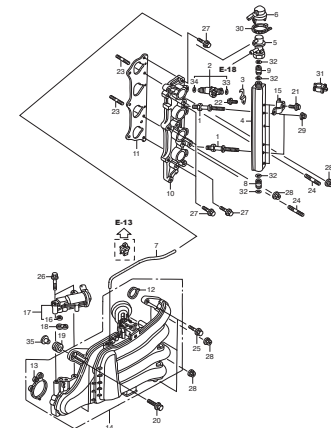
E-10 BALANCER SHAFT



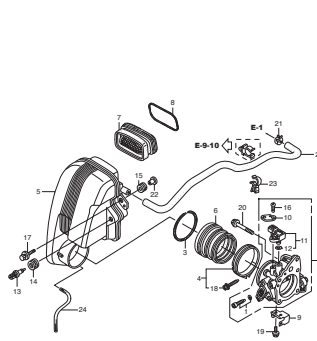
E-13 A.C.G BELT/SILENCER DUCT



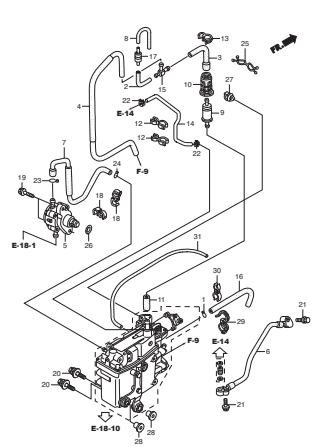
E-14 INTAKE MANIFOLD/INJECTOR



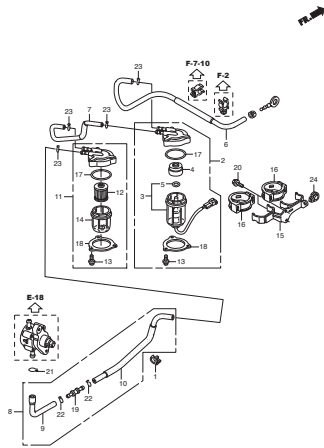
E-15 THROTTLE BODY



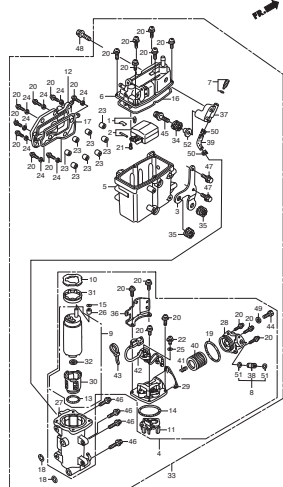
E-18 FUEL PUMP/FUEL HOSE



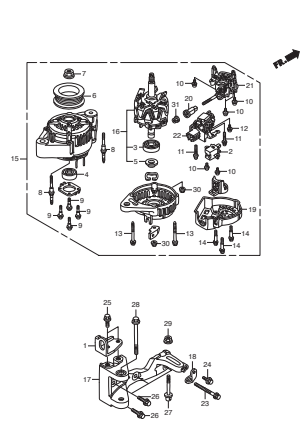
E-18-1 WATER SEPARATOR



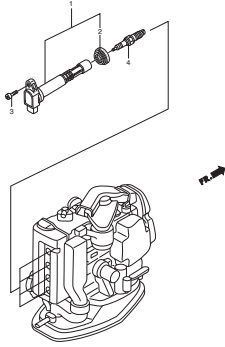
E-18-10 VAPOR SEPARATOR ASSY



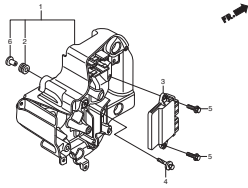
E-19 A.C.GENERATOR



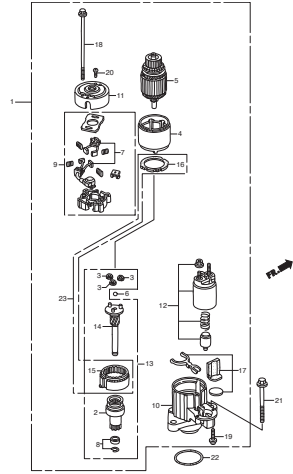
E-20 IGNITION COIL/SPARK PLUG



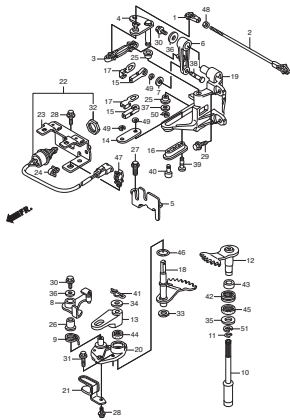
E-20-10 ELECTRONIC CONTROL UNIT



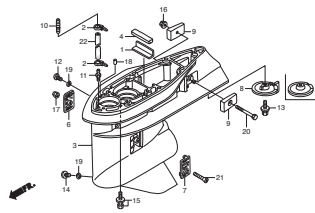
E-21 STARTER MOTOR



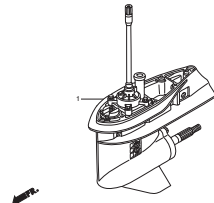
F-2 SHIFT SHAFT



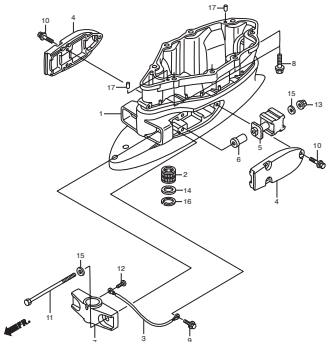
F-3 GEAR CASE



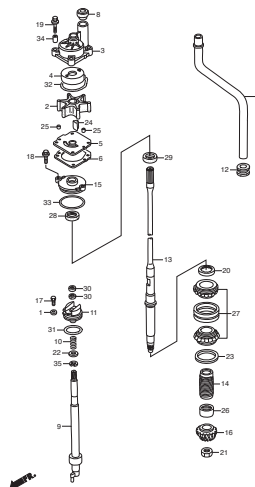
F-3-10 GEAR CASE ASSY



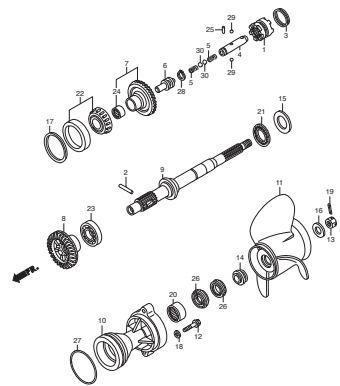
F-3-20 EXTENSION CASE



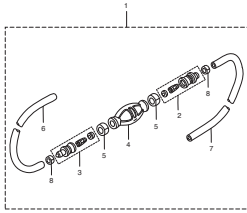
F-4 WATER PUMP/VERTICAL SHAFT



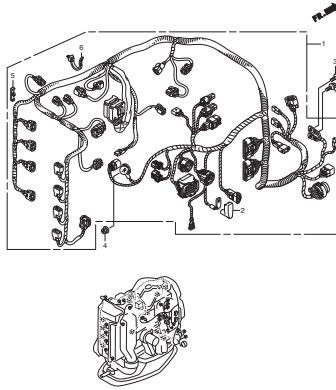
F-5 PROPELLER SHAFT/PROPELLER (LD/LU/XU)



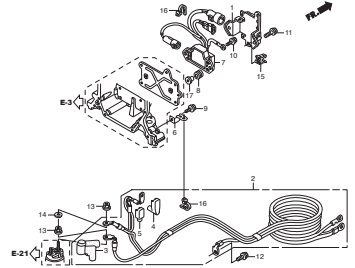
F-6 FUEL TUBE



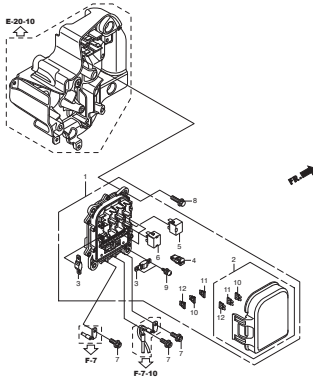
F-7 WIRE HARNESS



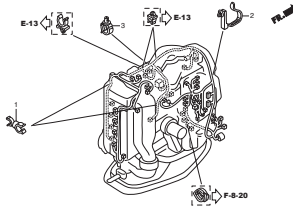
F-7-10 STARTER CABLE



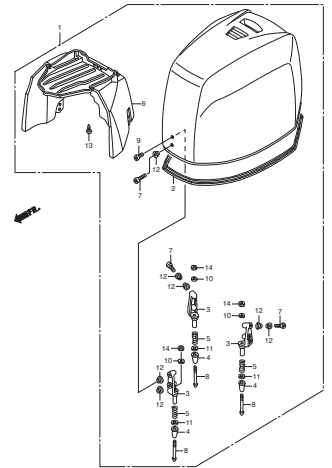
F-7-20 FUSE BOX/RELAY



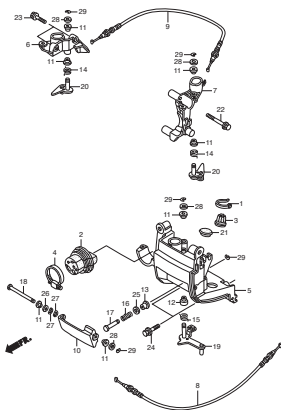
F-7-30 CLAMP



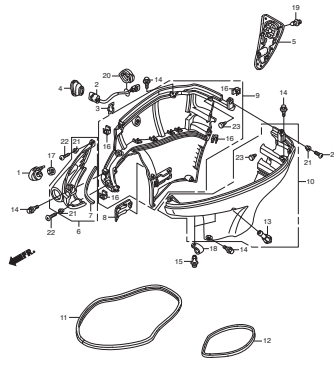
F-8 ENGINE COVER ASSY



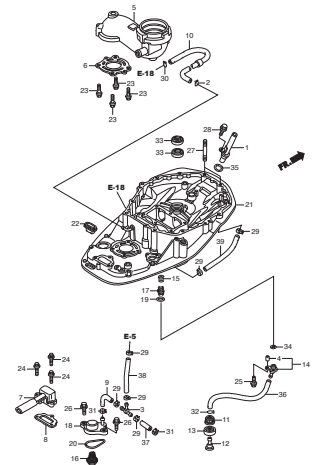
F-8-10 FR.COVER BRACKET/FR.LOCK



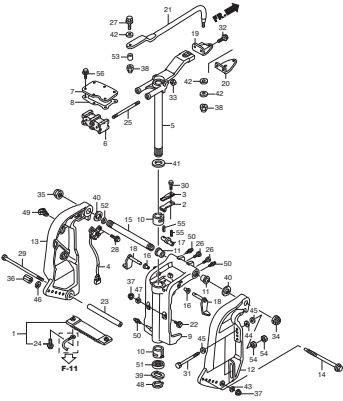
F-8-20 UNDER COVER



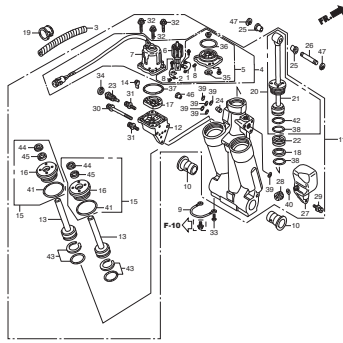
F-9 MOUNT CASE



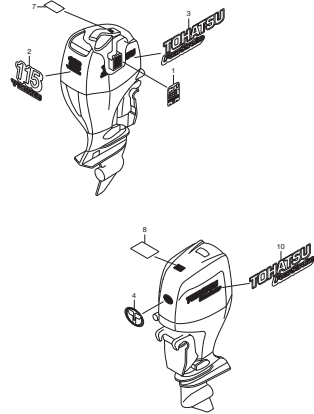
F-10 STERN BRACKET/SWIVEL CASE



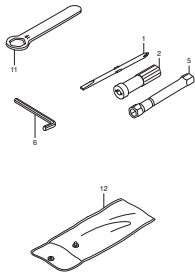
F-11 POWER TRIM-TILT



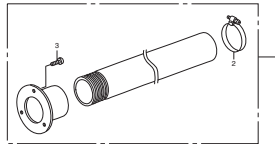
F-12 LABELS



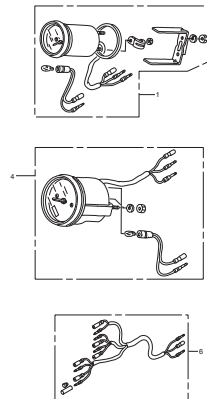
F-13 TOOLS



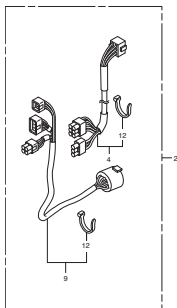
FOP-1 RIGGING HOSE KIT



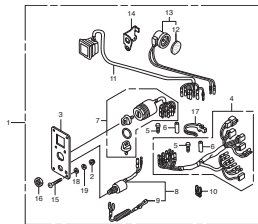
FOP-2 METER



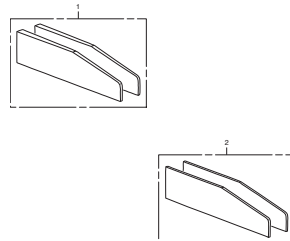
FOP-6 CONTROL PANEL (1)



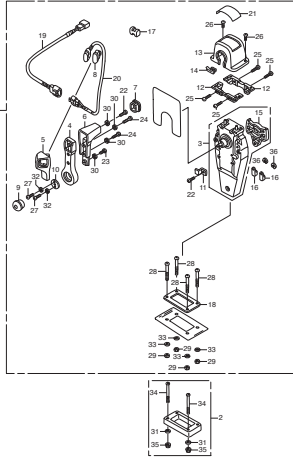
FOP-6-1 CONTROL PANEL (2)



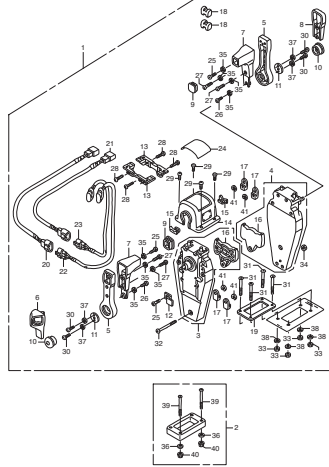
FOP-7 TRIM ADJUST PLATE SET



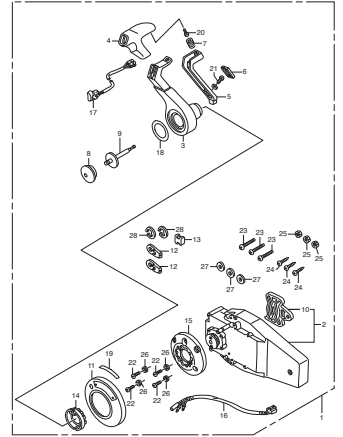
**FOP-8 REMOTE CONTROL
(TOP MOUNT SINGLE TYRE) (RIGHT)**



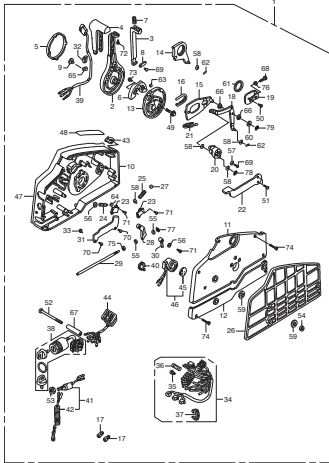
**FOP-8-2 REMOTE CONTROL
(TOP MOUNT DUAL TYRE) (RIGHT)**



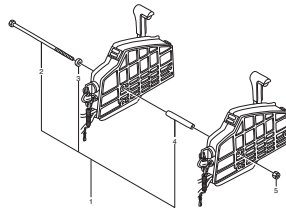
**FOP-8-4 REMOTE CONTROL
(FLUSH MOUNT TYRE) (RIGHT)**



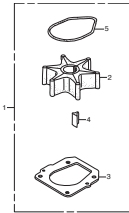
FOP-8-6 REMOTE CONTROL



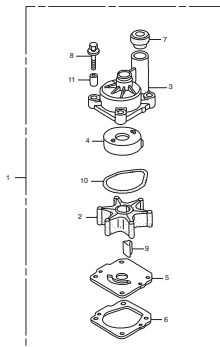
FOP-9 BOLT KIT



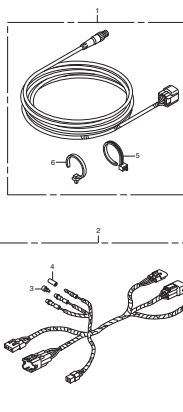
FOP-10 WATER PUMP IMPELLER KIT (1)



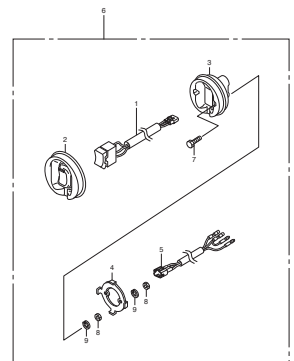
FOP-10-1 WATER PUMP IMPELLER KIT (2)



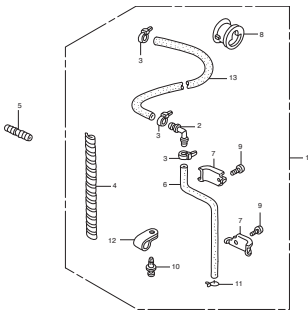
FOP-11 INTERFACE CABLE KIT

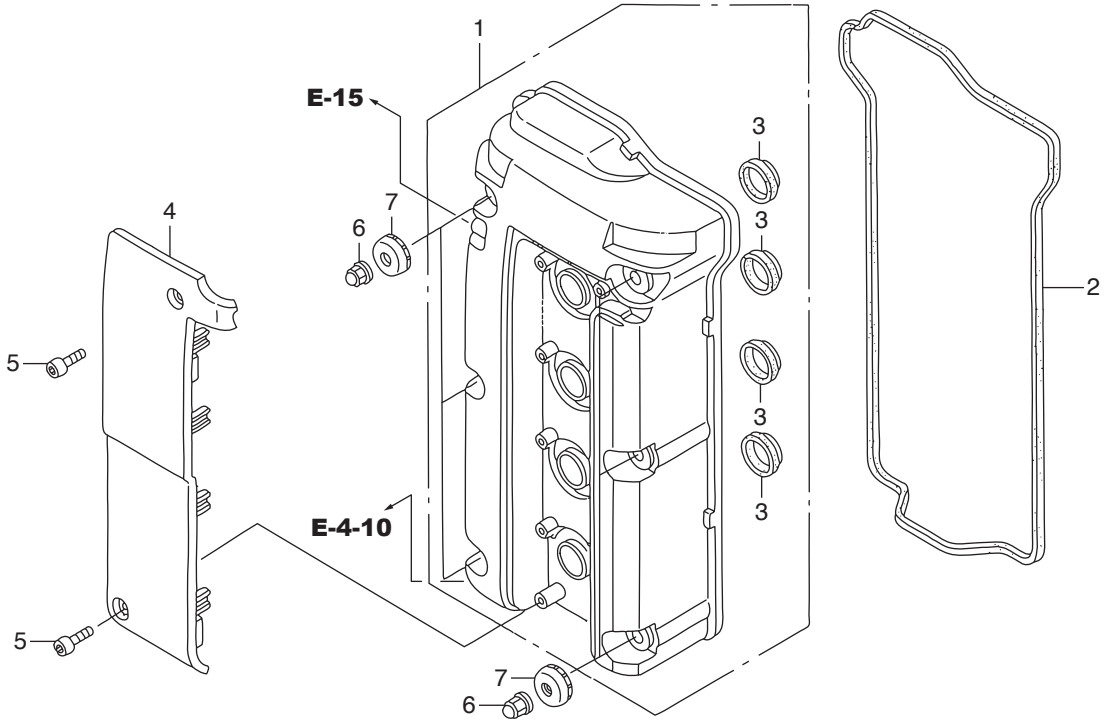


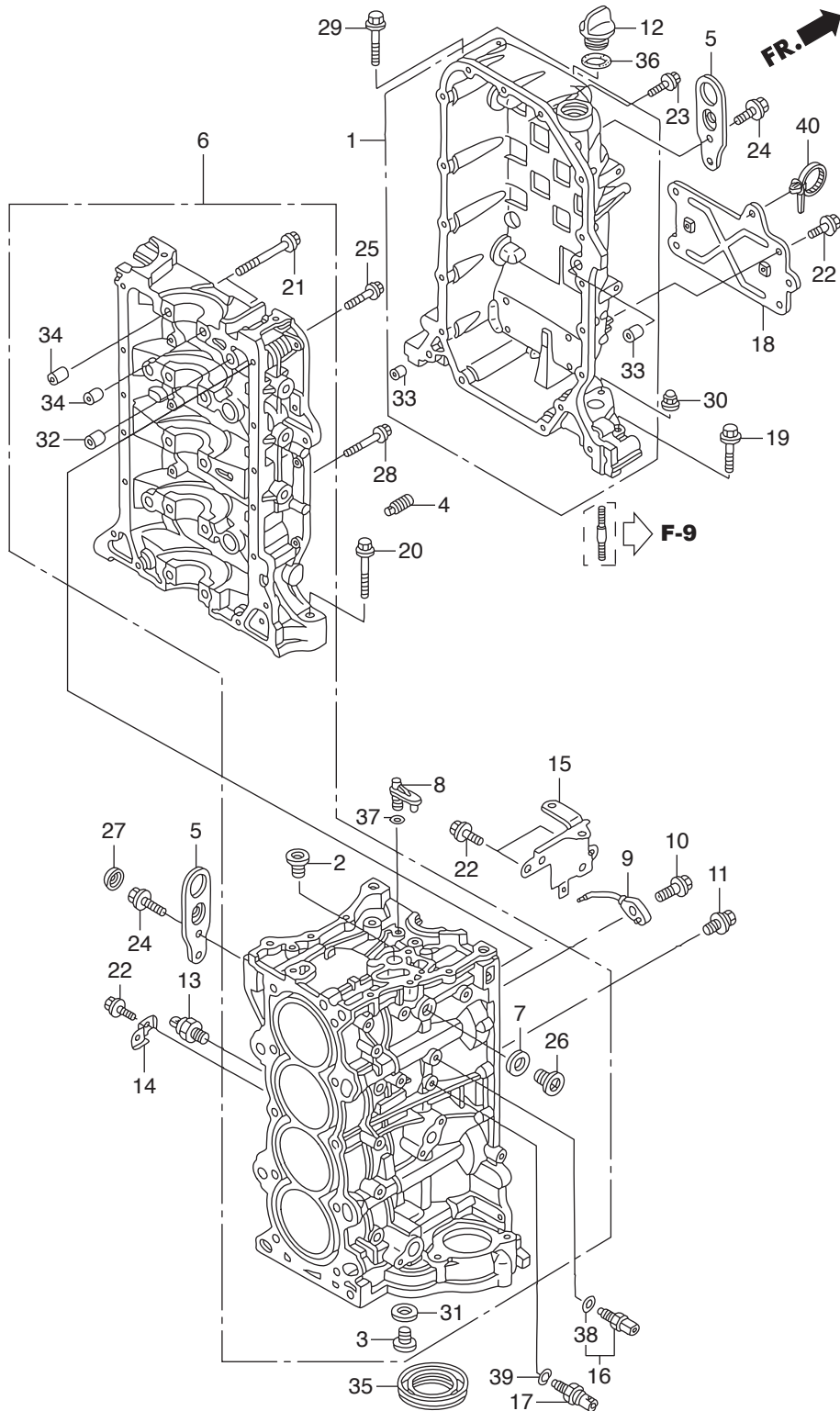
FOP-12 TROLLING CONTROL SWITCH



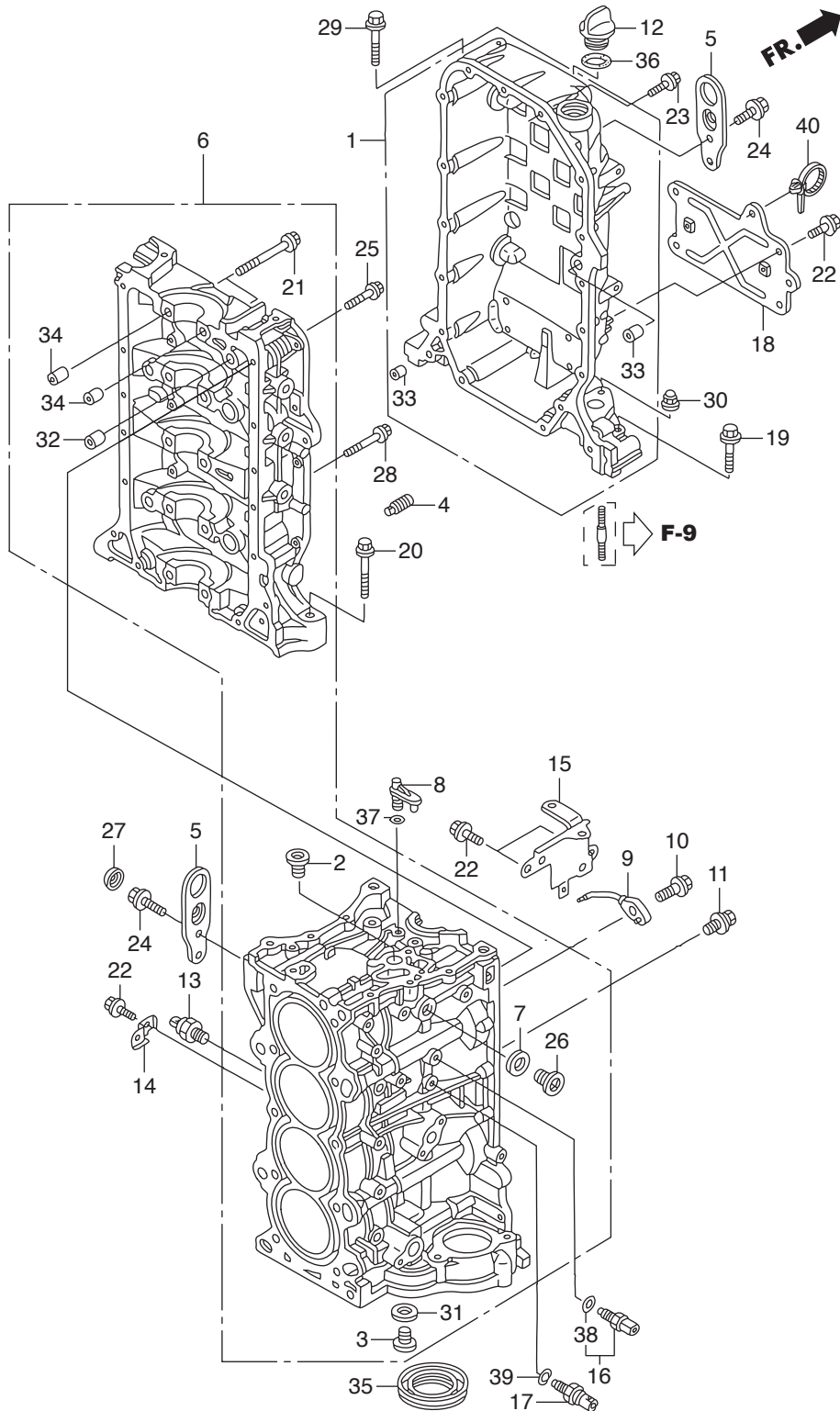
FOP-13 SPEED SENSOR TUBE KIT





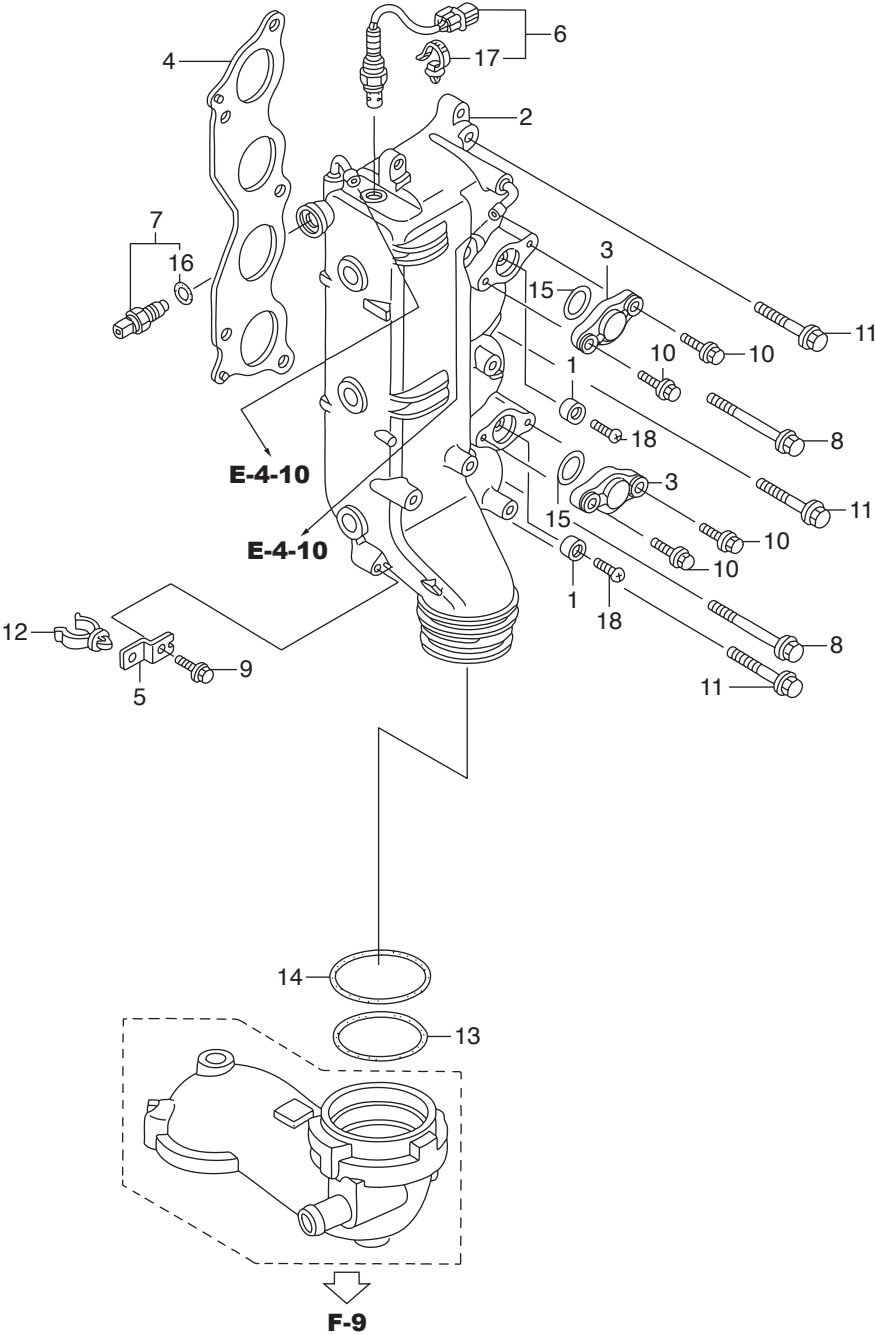


Ref.No.	Part No.	Description	Q' ty	Remarks	
			BFT115A		
E-3	1	HZY6-11100-405	CRANKCASE COMP.	1	
E-3	2	HPNA-11106-300	BOLT, SEALING, 20MM	1	
E-3	3	HPR4-11106-013	BOLT, SEALING, 28MM	1	
E-3	4	HPNA-11135-000	ORIFICE, LOWER BLOCK	1	
E-3	5	HZY6-11911-000	HANGER, ENGINE	2	
E-3	6	HZY6-12000-415ZA	BLOCK ASSY., CYLINDER	1	*NH8* DARK GRAY
E-3	7	HZV5-12214-000	WASHER, SEALING(22MM)	1	
E-3	8	HZY6-15152-000	ORIFICE, OIL JET	1	
E-3	9	HPRB-15280-A00	BODY COMP., OIL JET	2	
E-3	10	HPRA-15290-000	BOLT COMP., OIL JET	2	
E-3	11	HZY6-15299-000	BOLT-WASHER, 8X10	2	
E-3	12	H921-15611-000	CAP, OIL(YELLOW)	1	
E-3	13	HZY6-30530-003	SENSOR ASSY., KNOCK	1	
E-3	14	HZW9-32114-730	BRACKET, CLIP B	1	
E-3	15	HZY6-32114-010	BRACKET D, HARNESS CLIP	1	
E-3	16	HZY3-35673-003	SENSOR ASSY., WATER	1	TEMPERATURE
E-3	17	HRNA-37260-A01	SENSOR, OIL PRESSURE	1	
E-3	18	HZY6-38552-000	BRACKET, RELAY	1	
E-3	19	HZY6-90001-000	BOLT, FLANGE, 8X55	2	
E-3	20	HZY6-90005-000	BOLT, FLANGE, 12X83	1	
E-3	21	HPNA-90006-003	BOLT-WASHER, 11X95	10	
E-3	22	HZW9-90011-000	BOLT, FLANGE, 6X14(CT200)	7	
E-3	23	HZW9-90016-000	BOLT, FLANGE, 6X25	18	
E-3	24	HZY3-90026-000	BOLT, FLANGE, 8X20	4	
E-3	25	HZY3-90054-000	BOLT, FLANGE, 8X35	10	
E-3	26	HZV5-90081-010	BOLT, SEALING, 22MM	1	
E-3	27	HZY6-90082-003	CAP, BOLT, 8MM	1	
E-3	28	HZW4-90156-000	BOLT, FLANGE, 8X50	4	
E-3	29	HZW4-90162-000	BOLT, FLANGE, 10X70	1	

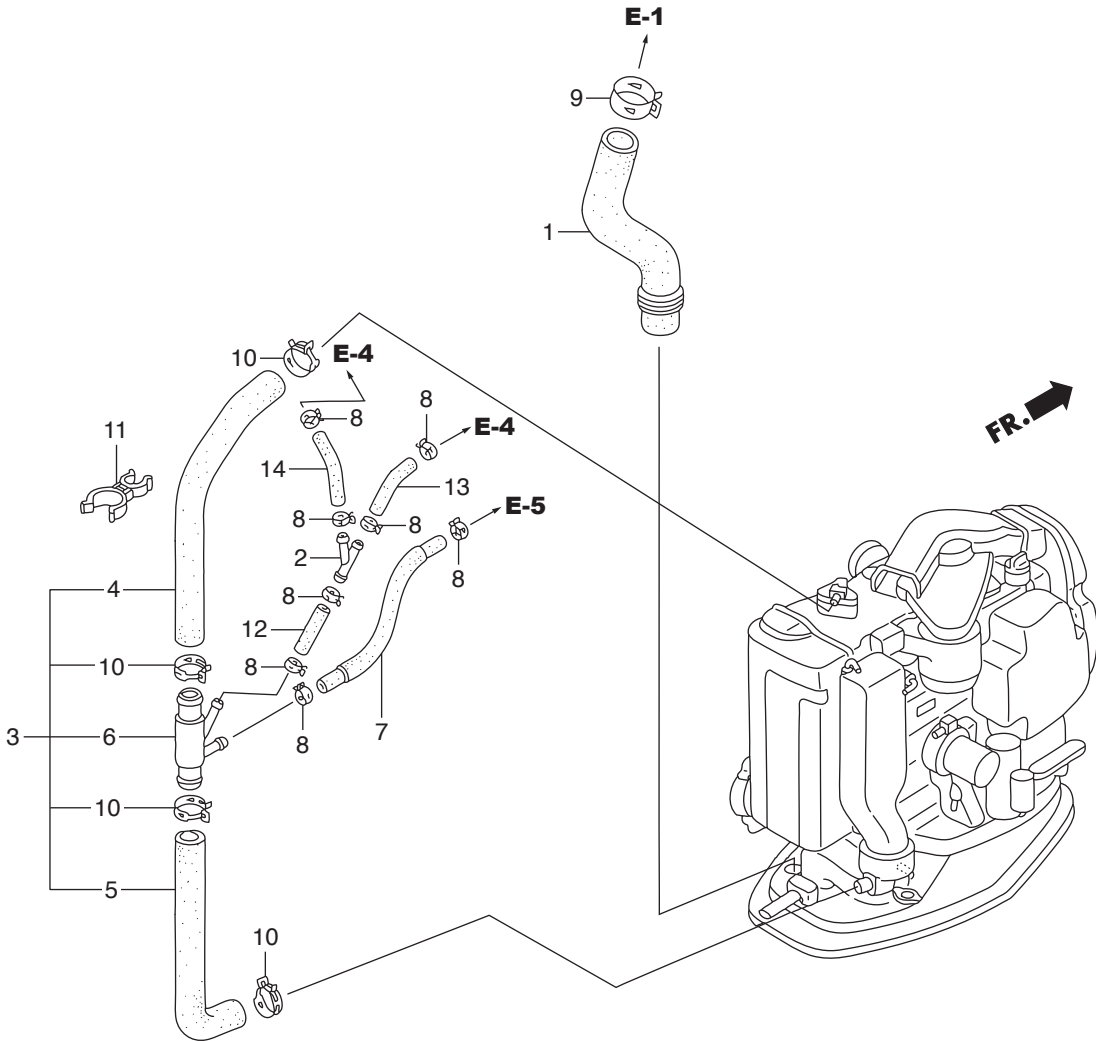


E-4

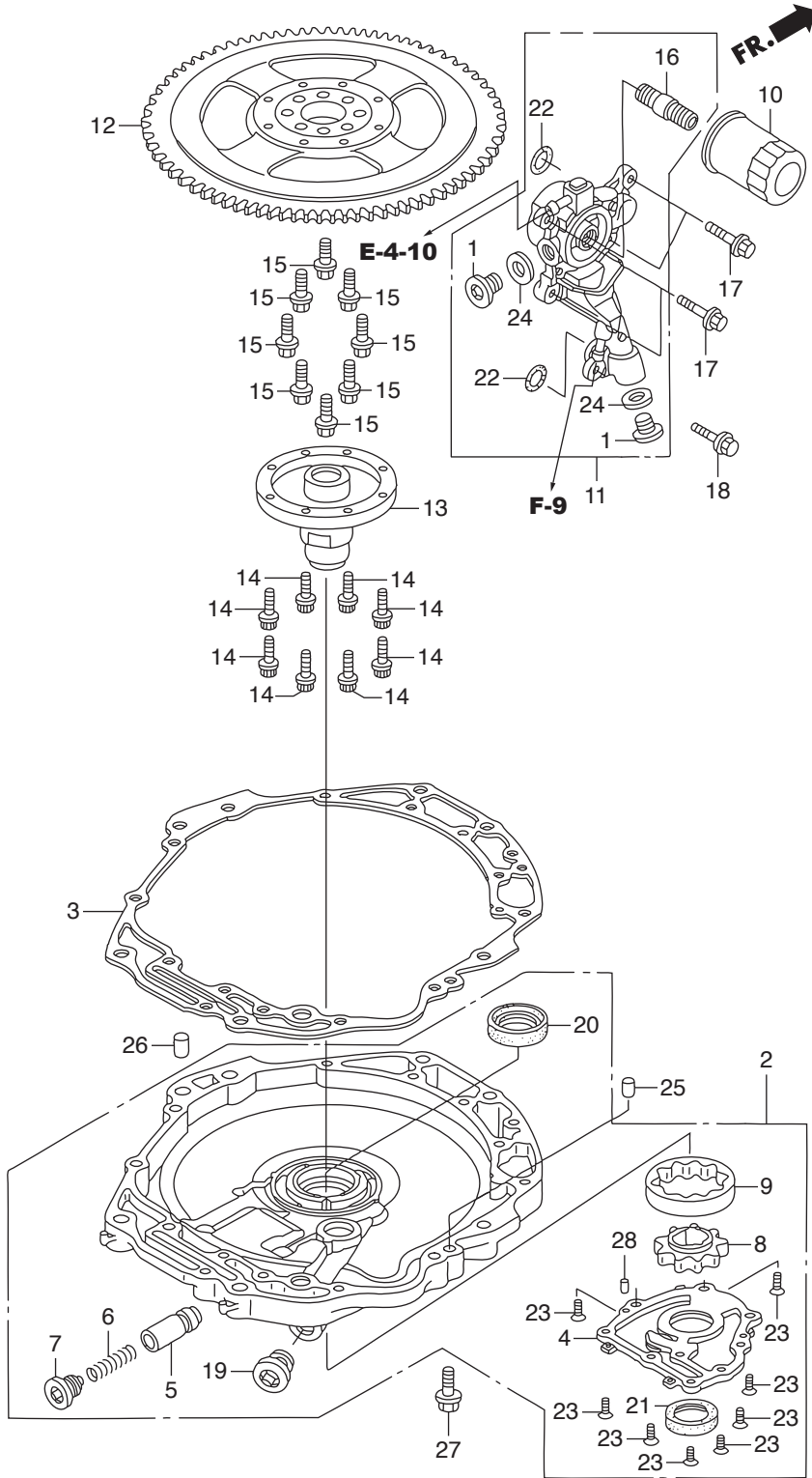
EXHAUST PIPE



Ref.No.	Part No.	Description	Q' ty	Remarks	
			BFT115A		
E-4	1	HZV5-12155-000	METAL, ANODE	2	
E-4	2	HZY6-18110-415ZA	MANIFOLD COMP., EX.	1	*NH8* DARK GRAY
E-4	3	HZY6-18112-030ZA	COVER, EX. MANIFOLD	2	*NH8* DARK GRAY
E-4	4	HZY6-18115-003	GASKET COMP., EX. MANIFOLD	1	
E-4	5	HZY6-19268-000	BRACKET, WATER TUBE CLAMP	1	
E-4	6	HZY6-35668-003	SENSOR, LAF	1	
E-4	7	HZY3-35673-003	SENSOR ASSY., WATER	1	TEMPERATURE
E-4	8	HZY6-90013-000	BOLT, FLANGE, 10X75	2	
E-4	9	HZY3-90021-000	BOLT, FLANGE, 6X14	1	
E-4	10	HZY3-90030-000	BOLT, FLANGE, 6X22	4	
E-4	11	HZW4-90170-000	BOLT, FLANGE, 10X45	3	
E-4	12	HZY6-90604-003	CLAMP B, WATER TUBE	1	
E-4	13	HZY6-91301-003	O-RING, 76.4X3.1	1	
E-4	14	HZY6-91302-003	O-RING, 79.8X3.1	1	
E-4	15	HHN0-91305-A00	O-RING, 37X2.4	2	
E-4	16	HPNA-91307-003	O-RING, 9.5X1.9	1	
E-4	17	HSV4-91540-003	CLIP, HARNESS BAND(NATURAL)	1	(145.2MM)
E-4	18	HCO-93500-06018-4J	SCREW, PAN, 6X18	2	

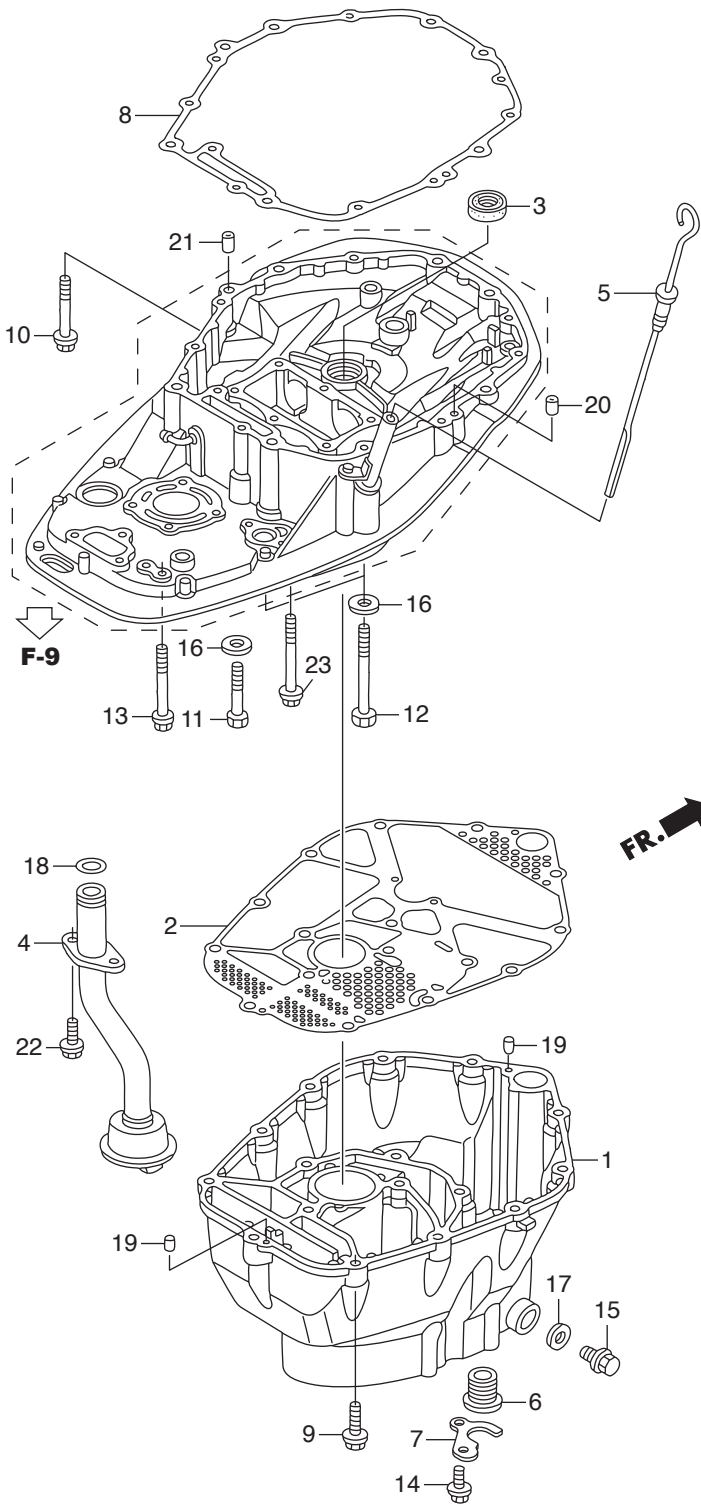


Ref.No.	Part No.	Description	Q' ty	Remarks	
			BFT115A		
E-4-10	1	HZY6-15425-010	TUBE, OIL	1	
E-4-10	2	HMY1-16959-000	JOINT, FUEL TUBE	1	
E-4-10	3	HZY6-19260-020	TUBE COMP., WATER RELIEF	1	
E-4-10	4	HZY6-19261-010	TUBE A, WATER RELIEF	1	
E-4-10	5	HZY6-19262-010	TUBE B, WATER RELIEF	1	
E-4-10	6	HZY6-19263-000	JOINT, FOUR-WAY	1	
E-4-10	7	HZY6-19266-000	TUBE COMP. E, WATER	1	
E-4-10	8	HZY3-90601-030	CLAMP, TUBE(D10.5)	8	
E-4-10	9	HZY3-90602-020	CLAMP, TUBE(D32.5)	1	
E-4-10	10	HZY6-90602-020	CLAMP, TUBE(D25.0)	4	
E-4-10	11	HZY6-90603-003	CLAMP, WATER TUBE	1	
E-4-10	12	HCO-95005-70075-30	TUBE, 7X75	1	(HC-95005-70001-30M)
E-4-10	13	HCO-95005-70090-30	TUBE, 7X90	1	(HC-95005-70001-30M)
E-4-10	14	HCO-95005-70120-30	TUBE, 7X120	1	(HC-95005-70001-30M)

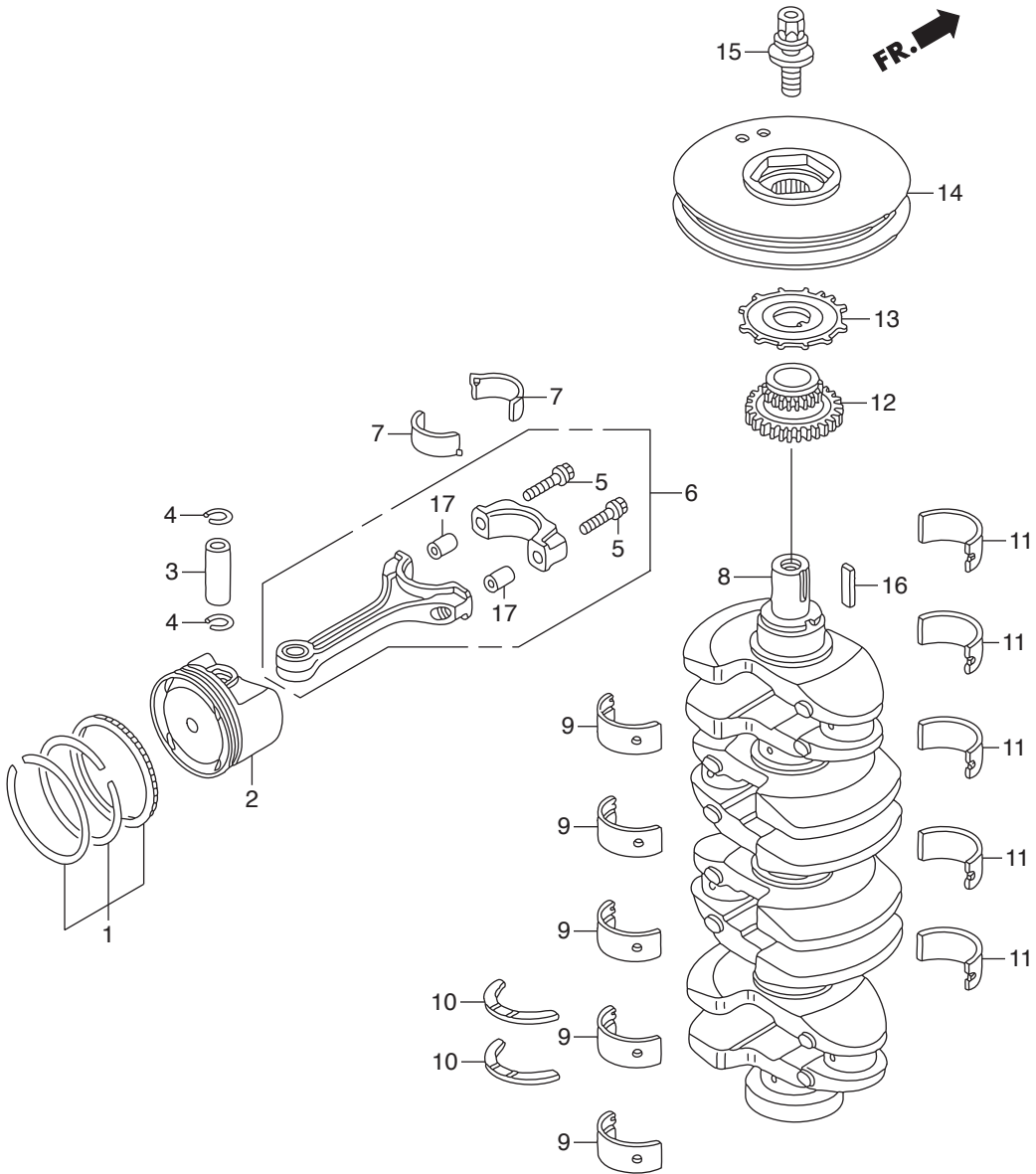


Ref.No.	Part No.	Description	Q' ty	Remarks	
			BFT115A		
E-5	1	HZW1-12217-010	BOLT, SEALING, 20MM	2	
E-5	2	HZY6-15100-000ZA	PUMP ASSY., OIL	1	*NH8* DARK GRAY
E-5	3	HZY6-15112-000	PACKING, OIL PUMP BODY	1	
E-5	4	HZY6-15121-000	COVER, OIL PUMP	1	
E-5	5	HPE0-15231-000	VALVE, RELIEF	1	
E-5	6	HPG6-15232-000	SPRING, RELIEF VALVE	1	
E-5	7	HPC6-15233-000	BOLT, SEALING, 18MM	1	
E-5	8	HZW5-15331-003	ROTOR, INNER OIL PUMP	1	
E-5	9	HZW5-15341-003	ROTOR, OUTER OIL PUMP	1	
E-5	10	HRTA-15400-004	CARTRIDGE, OIL FILTER	1	(TOYO ROKI)
E-5	11	HZY6-15410-010ZA	FLANGE COMP., OIL FILTER	1	*NH8* DARK GRAY
E-5	12	HZY6-31110-000ZA	FLYWHEEL COMP.	1	*TBLACK* BLACK
E-5	13	HZY3-31116-000	BOSS, FLYWHEEL	1	
E-5	14	HZW5-90002-013	BOLT, SPECIAL, 8MM	8	
E-5	15	HPH3-90011-000	BOLT, FLANGE, 12MM	8	
E-5	16	HPH1-90015-013	HOLDER, OIL FILTER	1	
E-5	17	HZW9-90016-000	BOLT, FLANGE, 6X25	4	
E-5	18	HZW5-90018-000	BOLT, FLANGE, 6X20	1	
E-5	19	HZV5-90081-010	BOLT, SEALING, 22MM	2	
E-5	20	HZW5-91201-003	OIL SEAL, 46X60X9	1	
E-5	21	HP01-91212-003	OIL SEAL, 31X46X7(NOK)	1	
E-5	22	HVD6-91360-003	O-RING, 22.5X2.4	2	
E-5	23	HCO-93600-06016-0A	SCREW, FLAT, 6X16	9	
E-5	24	HCO-94109-20000	WASHER, DRAIN PLUG, 20MM	2	
E-5	25	HCO-94301-10160	DOWEL PIN, 10X16	1	
E-5	26	HCO-94301-14200	DOWEL PIN, 14X20	1	
E-5	27	HCO-95701-08032-08	BOLT, FLANGE, 8X32	5	
E-5	28	HCO-96220-50080	ROLLER, 5X8	2	

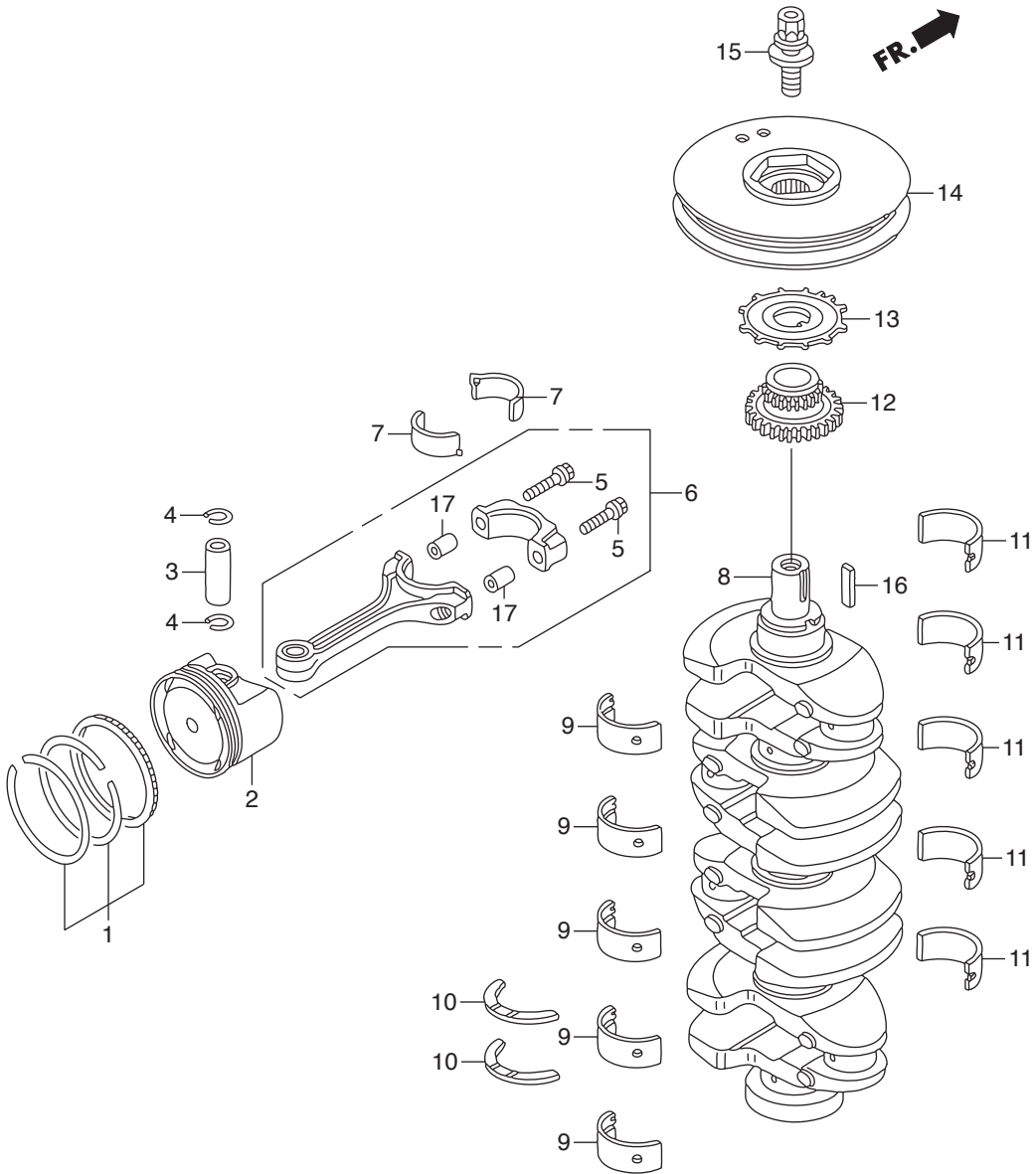
E-6 OIL PAN



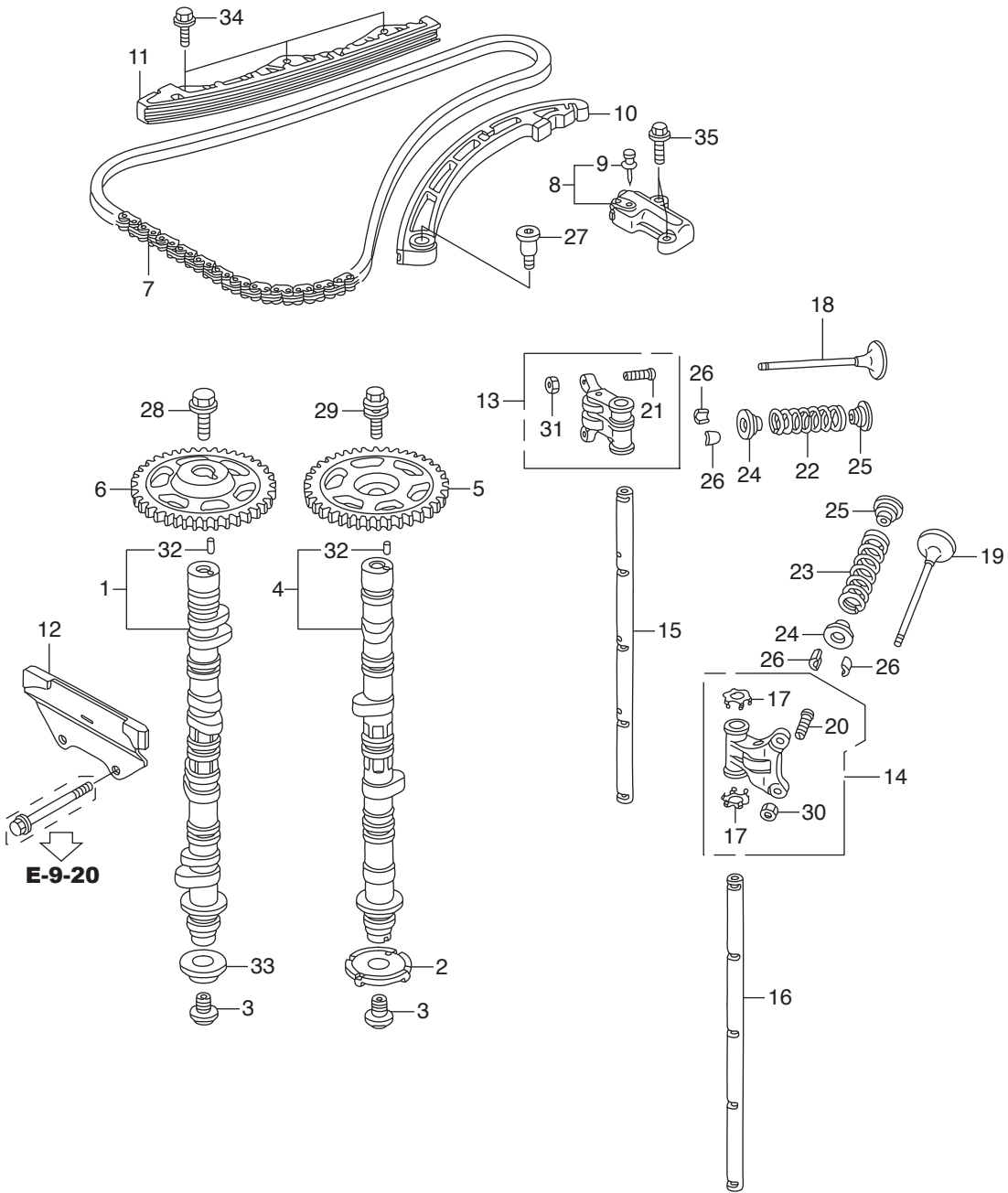
Ref.No.	Part No.	Description	Q' ty	Remarks	
			BFT115A		
E-6	1	HZY6-11321-010ZB	CASE, OIL	1	*TGRAY* GRAY
E-6	2	HZY6-11381-010	PACKING, OIL PAN	1	
E-6	3	HZW5-15113-000	RUBBER, OIL PUMP	1	
E-6	4	HZY6-15220-010	STRAINER COMP., OIL	1	
E-6	5	HZY6-15655-000	GAUGE COMP., OIL LEVEL	1	
E-6	6	HZW1-19252-000	GROMMET, WATER TUBE	1	
E-6	7	HZY6-19254-000	PLATE, WATER TUBE	1	
E-6	8	HZY6-23172-000	GASKET, MOUNT CASE	1	
E-6	9	HZY6-90002-000	BOLT, FLANGE, 10X40	16	
E-6	10	HZY6-90017-000	BOLT, FLANGE, 10X80	1	
E-6	11	HZY6-90018-000	BOLT, HEX., 12X70	1	
E-6	12	HZY6-90019-000	BOLT, HEX., 12X130	2	
E-6	13	HZY3-90046-000	BOLT, FLANGE, 8X100	1	
E-6	14	HZW9-90102-000	BOLT, FLANGE, 6X12	1	
E-6	15	HZV5-90131-000	BOLT, DRAIN PLUG	1	
E-6	16	HZV5-90559-000	WASHER, PLAIN, 12MM	3	
E-6	17	HZE2-90601-000	WASHER, DRAIN PLUG, 12MM	1	
E-6	18	HPC6-91324-000	O-RING, 20.6X2.6	1	
E-6	19	HCO-94301-06100	DOWEL PIN, 6X10	2	
E-6	20	HCO-94301-10160	DOWEL PIN, 10X16	1	
E-6	21	HCO-94301-14200	DOWEL PIN, 14X20	1	
E-6	22	HCO-95701-06018-09	BOLT, FLANGE, 6X18	2	
E-6	23	HCO-95701-10110-09	BOLT, FLANGE, 10X110	2	



Ref.No.	Part No.	Description	Q' ty	Remarks	
			BFT115A		
E-7	1	HZY6-13010-000	RING SET, PISTON(STD.)	4	
E-7	2	HZY6-13101-000	PISTON A	4	
E-7		HZY6-13102-000	PISTON B	4	
E-7	3	HPNA-13111-010	PIN, PISTON	4	
E-7	4	HP5A-13115-000	CLIP, PISTON PIN	8	
E-7	5	HP8A-13204-A01	BOLT, CONNECTING ROD	8	
E-7	6	HPPA-13210-000	ROD COMP., CONNECTING	4	
E-7	7	HZY6-13211-004	BEARING A, CONNECTING ROD	8	(BLUE)
E-7		HZY6-13212-004	BEARING B, CONNECTING ROD	8	(BLACK)
E-7		HZY6-13213-004	BEARING C, CONNECTING ROD	8	(BROWN)
E-7		HZY6-13214-004	BEARING D, CONNECTING ROD	8	(GREEN)
E-7		HZY6-13215-004	BEARING E, CONNECTING ROD	8	(YELLOW)
E-7		HZY6-13216-004	BEARING F, CONNECTING ROD	8	(PINK)
E-7		HZY6-13217-004	BEARING G, CONNECTING ROD(RE D)	8	
E-7	8	HPPA-13310-000	CRANKSHAFT COMP.	1	
E-7	9	HPNA-13321-003	BEARING A, MAIN UPPER(BLUE)	5	(DAIDO)
E-7		HPNA-13322-003	BEARING B, MAIN UPPER(BLACK)	5	(DAIDO)
E-7		HPNA-13323-003	BEARING C, MAIN UPPER(BROWN)	5	(DAIDO)
E-7		HPNA-13324-003	BEARING D, MAIN UPPER(GREEN)	5	(DAIDO)
E-7		HPNA-13325-003	BEARING E, MAIN UPPER(YELLOW)	5	(DAIDO)
E-7		HPNA-13326-003	BEARING F, MAIN UPPER(PINK)	5	(DAIDO)
E-7					
E-7	10	HZY6-13331-013	WASHER, THRUST	2	
E-7	11	HPNA-13341-003	BEARING A, MAIN LOWER(BLUE)	5	(DAIDO)
E-7		HPNA-13342-003	BEARING B, MAIN LOWER(BLACK)	5	(DAIDO)
E-7		HPNA-13343-003	BEARING C, MAIN LOWER(BROWN)	5	(DAIDO)
E-7		HPNA-13344-003	BEARING D, MAIN LOWER(GREEN)	5	(DAIDO)
E-7		HPNA-13345-003	BEARING E, MAIN LOWER(YELLOW)	5	(DAIDO)
E-7		HPNA-13346-003	BEARING F, MAIN LOWER(PINK)	5	(DAIDO)

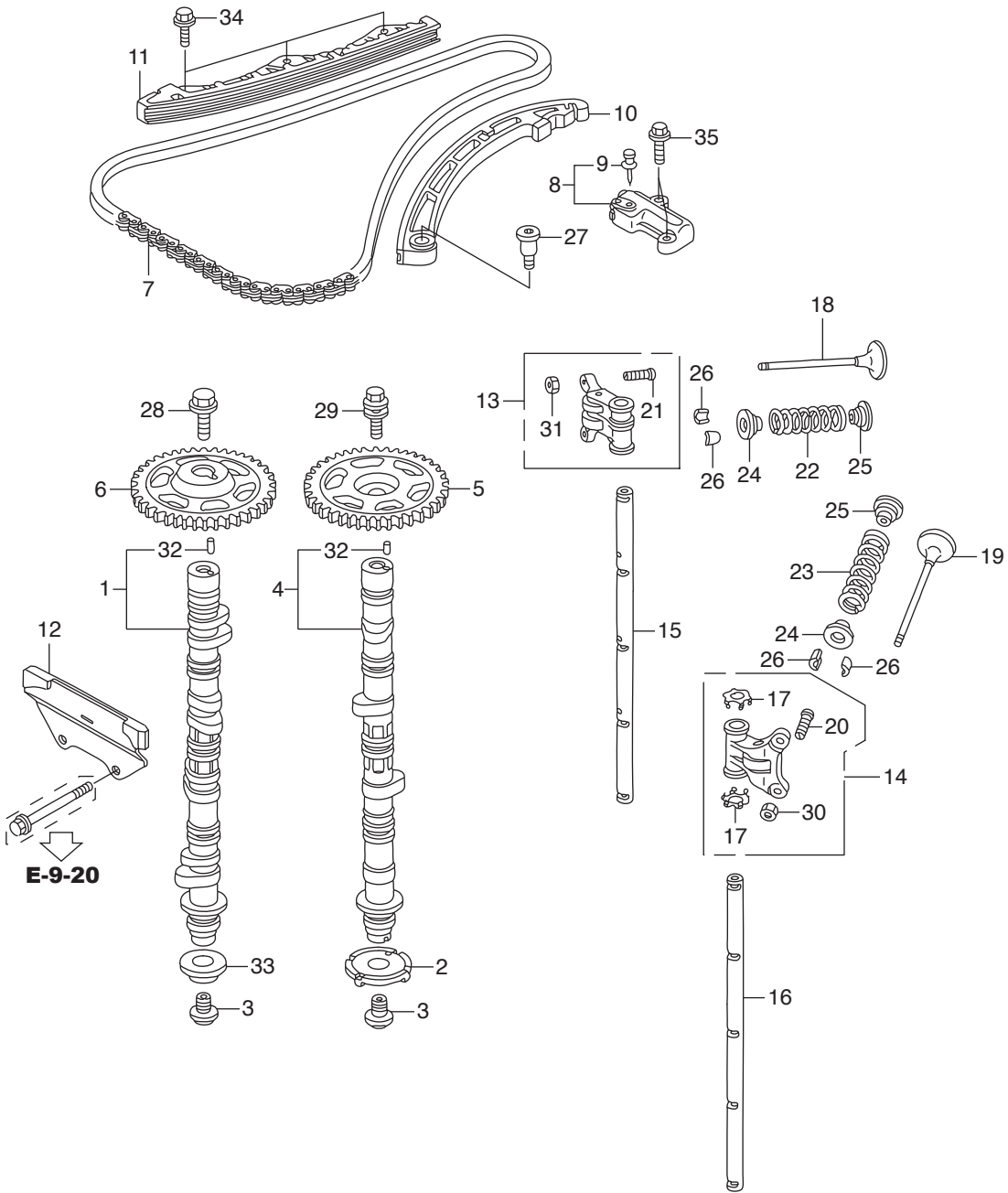


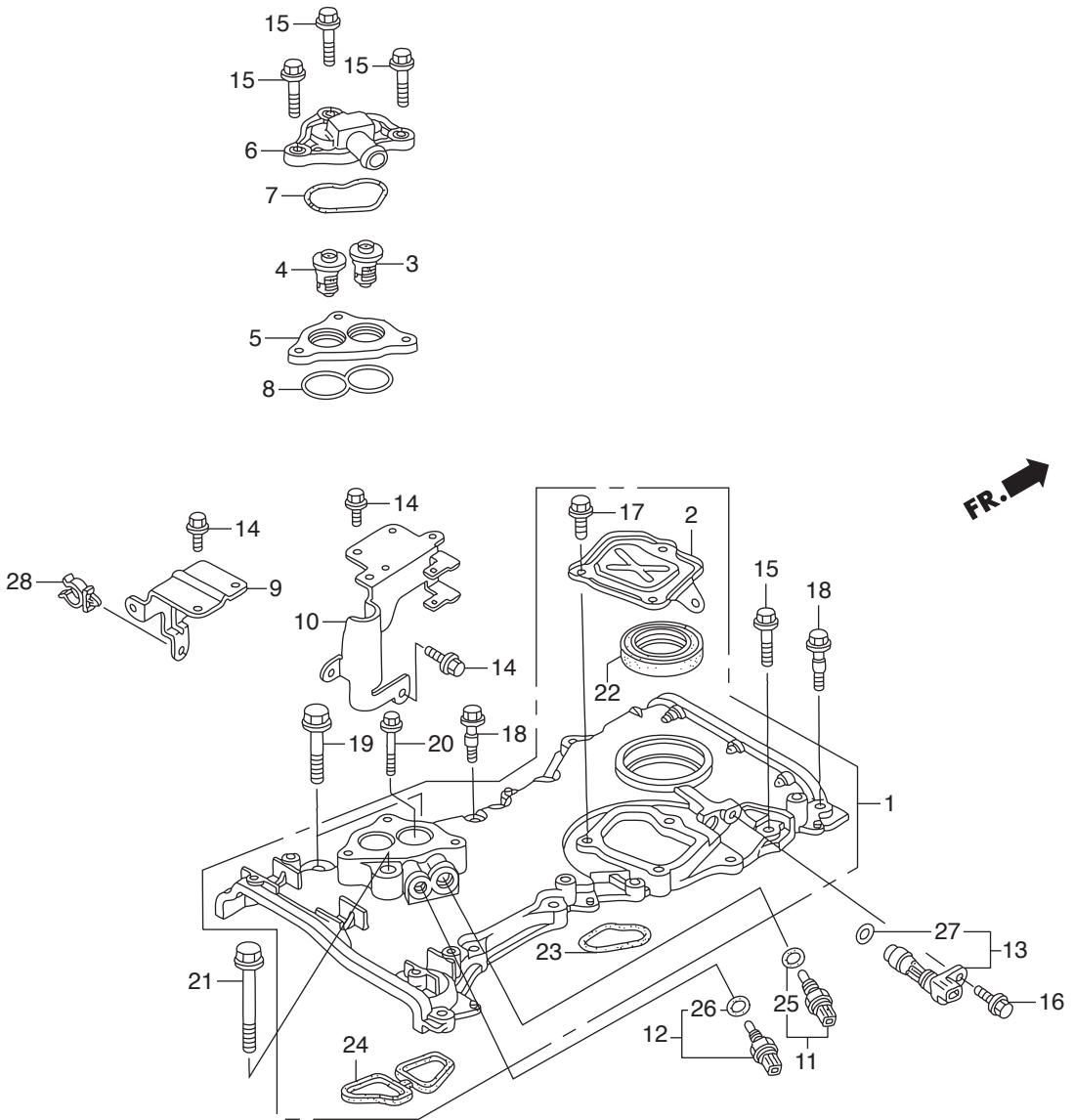
FR. →



Ref.No.	Part No.	Description	Q' ty	Remarks	
			BFT115A		
E-9	1	HZY5-14110-000	CAMSHAFT COMP., IN.	1	
E-9	2	HPNA-14114-003	PLATE, TDC PULSE	1	
E-9	3	HPNA-14115-000	BOLT, SEALING, 14MM	2	
E-9	4	HZY6-14120-000	CAMSHAFT COMP., EX.	1	
E-9	5	HPNA-14210-000	SPROCKET, CAM CHAIN DRIVEN	1	(46T)
E-9	6	HZY6-14311-000	SPROCKET, CAM CHAIN DRIVEN IN.	1	(46T)
E-9	7	HR40-14401-A01	CHAIN(176L)(BORG WARNER)	1	
E-9	8	HZY6-14510-003	TENSIONER ASSY., CAM CHAIN	1	
E-9	9	HPNA-14511-003	STOPPER(TOOL)	1	
E-9	10	HPPA-14520-003	ARM COMP., CAM CHAIN TENSIONER	1	
E-9	11	HPPA-14530-003	GUIDE COMP., CAM CHAIN	1	
E-9	12	HRWC-14540-A02	GUIDE COMP. B, CAM CHAIN	1	
E-9	13	HRAA-14620-A00	ARM ASSY., ROCKER	4	
E-9	14	HRAA-14624-A00	ARM ASSY., EX. ROCKER	4	
E-9	15	HPNE-14631-000	SHAFT, IN. ROCKER	1	
E-9	16	HR40-14633-A00	SHAFT, EX. ROCKER	1	
E-9	17	HRAA-14647-A00	WASHER, THRUST	8	
E-9	18	HPNA-14711-000	VALVE, IN.	8	
E-9	19	HPRB-14721-A00	VALVE, EX.	8	
E-9	20	HPNA-14744-004	SCREW, TAPPET ADJUSTING	8	
E-9	21	HPT0-14744-004	SCREW, TAPPET ADJUSTING	8	
E-9	22	HZY6-14751-003	SPRING, IN. VALVE(PINK)	8	(NIPPON HATSUJO)
E-9	23	HPNA-14762-003	SPRING, EX. VALVE(GRAY)	8	(NIPPON HATSUJO)
E-9	24	HRAA-14765-A00	RETAINER, VALVE SPRING	16	
E-9	25	HPT0-14775-000	SEAT, VALVE SPRING	16	
E-9	26	HRGM-14781-A01	COTTER, VALVE(FUJI VALVE)	32	
E-9	27	HPNA-90003-000	BOLT, TENSIONER PIVOT	1	
E-9	28	HPNA-90032-000	BOLT, FLANGE, 12X47	1	
E-9	29	HPNA-90042-003	BOLT, FLANGE, 10X32	1	

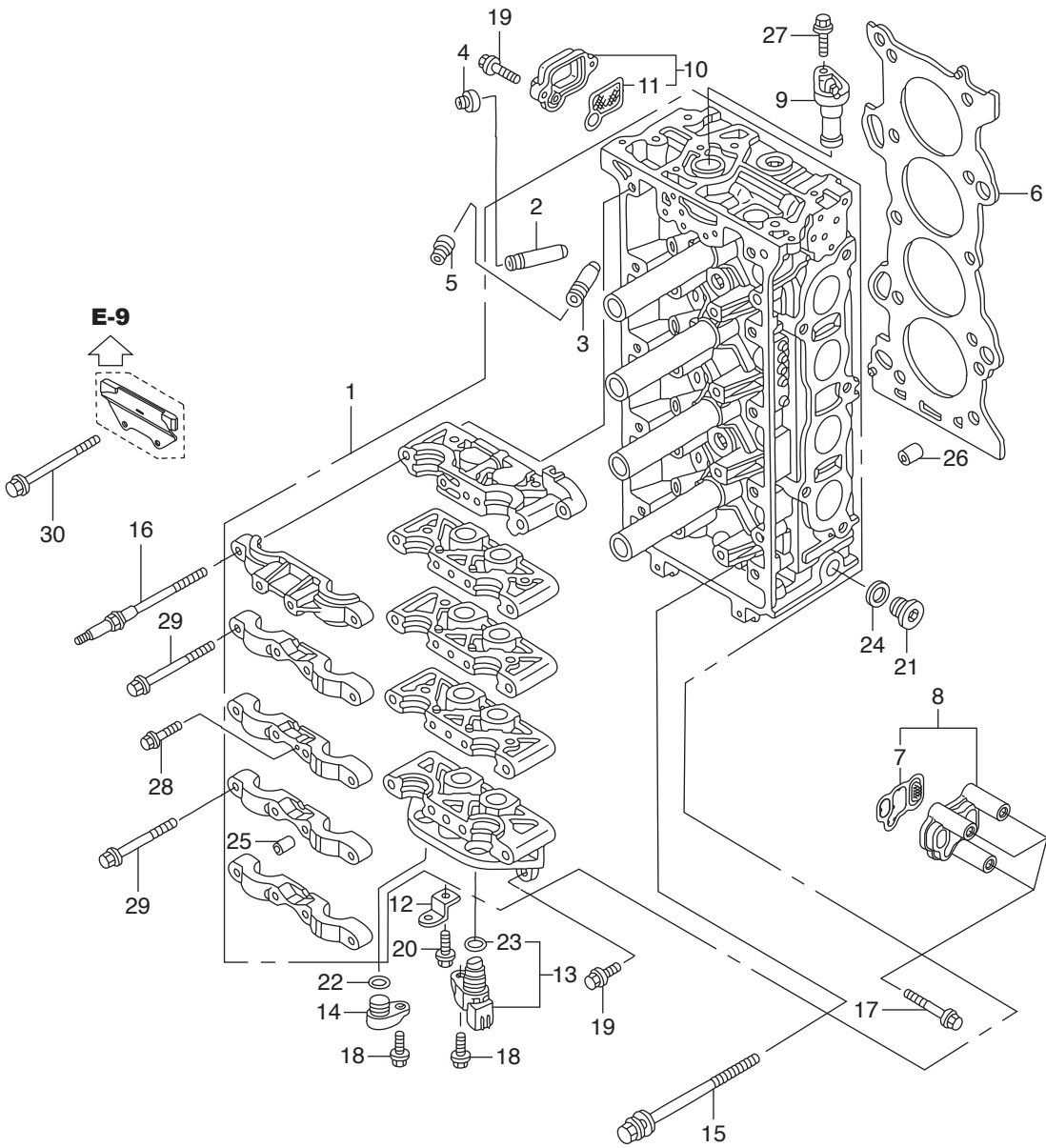
FR. 



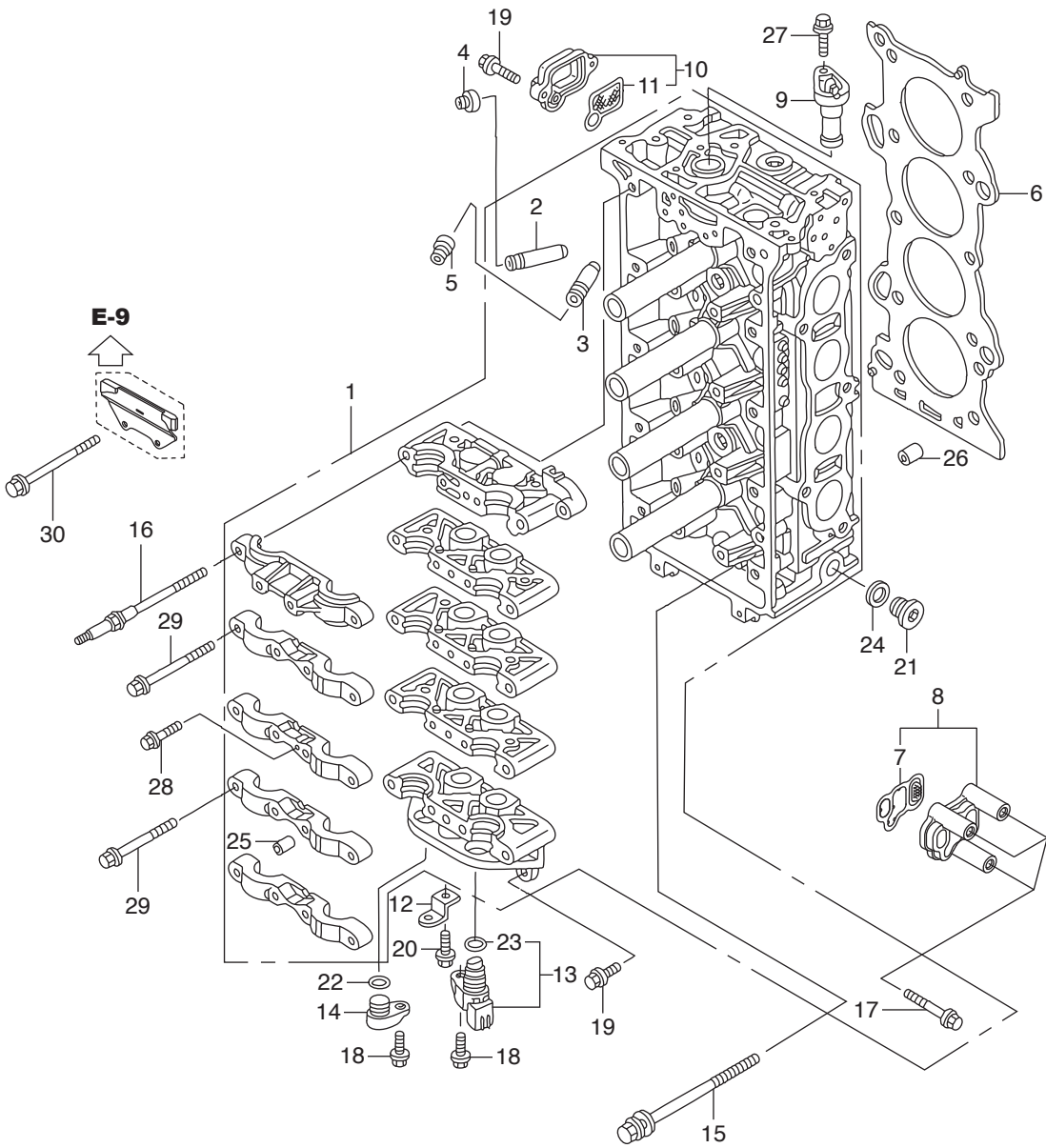


Ref.No.	Part No.	Description	Q' ty	Remarks	
			BFT115A		
E-9-10	1	HZY6-11410-425ZA	CASE ASSY., CHAIN	1	*NH8* DARK GRAY
E-9-10	2	HZY6-11412-000	COVER, CHAIN CASE	1	
E-9-10	3	HZY3-19300-023	THERMOSTAT ASSY.	1	
E-9-10	4	HZY6-19300-003	THERMOSTAT ASSY.	1	
E-9-10	5	HZY6-19313-000ZB	SPACER, THERMOSTAT COVER	1	*TGRAY* GRAY
E-9-10	6	HZY6-19315-010	COVER, THERMOSTAT	1	
E-9-10	7	HZY6-19318-010	PACKING, THERMOSTAT COVER	1	
E-9-10	8	HZY6-19319-000	PACKING, THERMOSTAT SPACER	1	
E-9-10	9	HZY6-32112-000	BRACKET B, HARNESS CLIP	1	
E-9-10	10	HZY6-32113-000	BRACKET C, HARNESS CLIP	1	
E-9-10	11	HZW5-35673-003	SENSOR ASSY., WATER	1	TEMPERATURE
E-9-10	12	HZY3-35673-003	SENSOR ASSY., WATER	1	TEMPERATURE
E-9-10	13	HPNB-37500-003	SENSOR ASSY., CRANK	1	
E-9-10	14	HZW9-90011-000	BOLT, FLANGE, 6X14(CT200)	5	
E-9-10	15	HZY3-90016-000	BOLT, FLANGE, 6X28	13	
E-9-10	16	HZY3-90017-000	BOLT, FLANGE, 6X16	1	
E-9-10	17	HZY3-90021-000	BOLT, FLANGE, 6X14	3	
E-9-10	18	HZY6-90023-000	BOLT, SPECIAL, 6X31	2	
E-9-10	19	HZY3-90040-000	BOLT, FLANGE, 10X43	2	
E-9-10	20	HZY6-90059-000	BOLT, FLANGE, 6X38	1	
E-9-10	21	HZW4-90162-000	BOLT, FLANGE, 10X70	1	
E-9-10	22	HPNC-91212-004	OIL SEAL, 43X58X7(ARAI)	1	
E-9-10	23	HPNA-91302-004	O-RING, CHAIN CASE	1	
E-9-10	24	HZY6-91304-010	PACKING, CHAIN CASE	1	
E-9-10	25	HPK2-91307-005	O-RING, 9.5X1.5(HONDA KIKAKI)	1	
E-9-10	26	HPNA-91307-003	O-RING, 9.5X1.9	1	
E-9-10	27	HPNA-91333-003	O-RING, 15X1.9	1	
E-9-10	28	HSP0-91546-A01	CLAMP, 18.5MM	1	

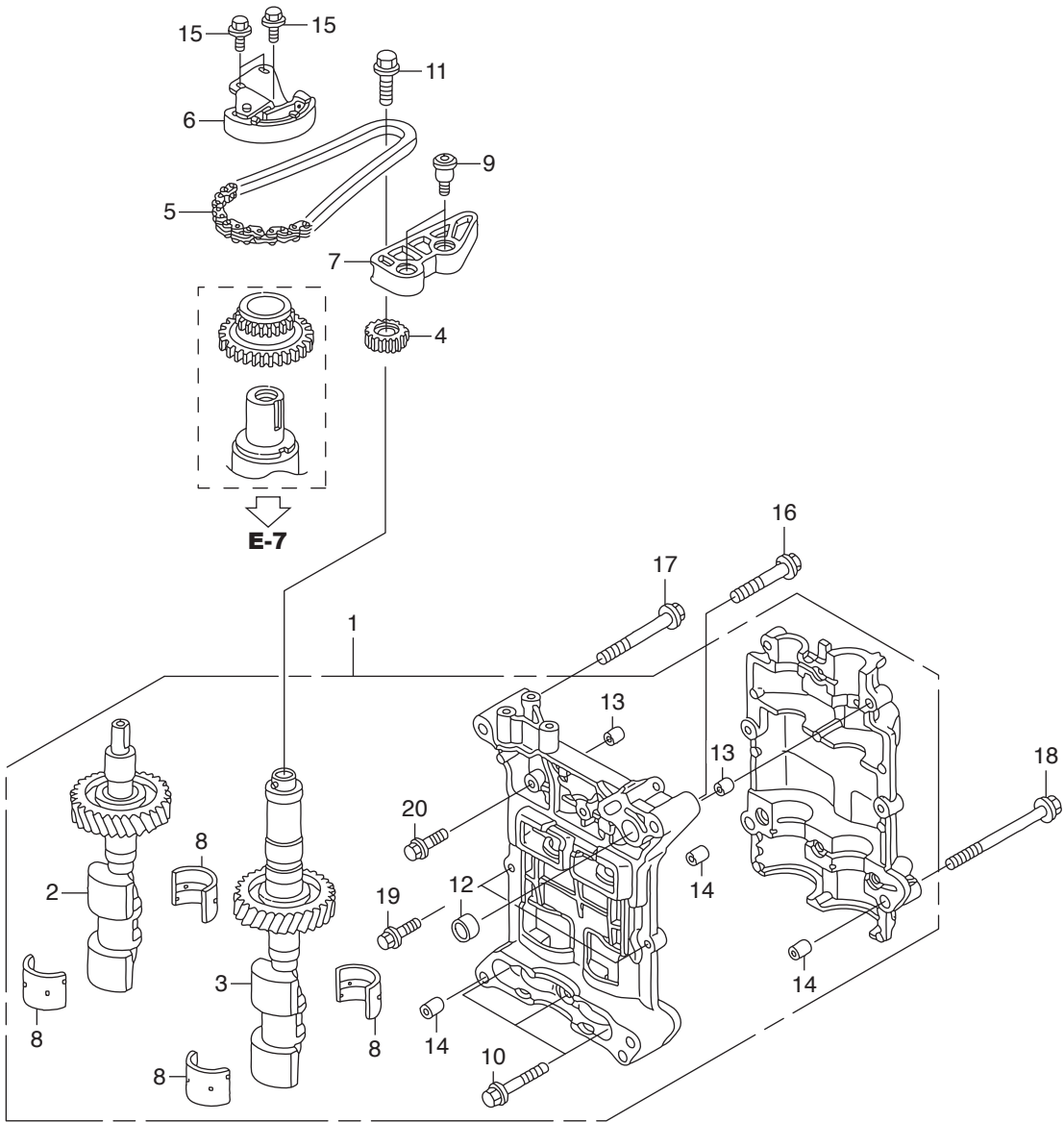
FR. 

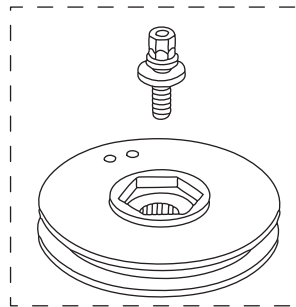
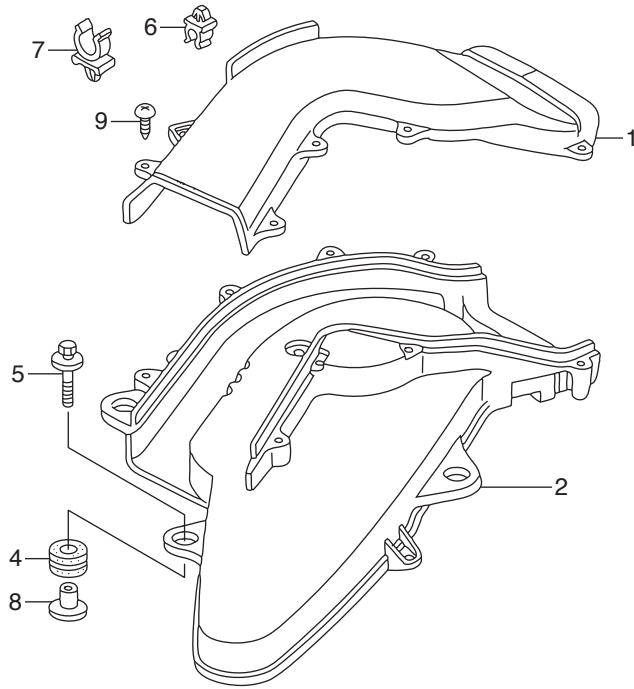


Ref.No.	Part No.	Description	Q' ty	Remarks	
			BFT115A		
E-9-20	1	HZY6-06122-010ZA	HEAD KIT, CYLINDER	1	*NH8* DARK GRAY
E-9-20	2	HPNA-12204-305	GUIDE, IN. VALVE(OS)	8	
E-9-20	3	HPNA-12205-305	GUIDE, EX. VALVE(OS)	8	
E-9-20	4	HPZ1-12210-003	SEAL A, VALVE STEM(ARAI)	8	
E-9-20		HPZ1-12210-004	SEAL A, VALVE STEM(NOK)	8	
E-9-20	5	HPZ1-12211-003	SEAL B, VALVE STEM(ARAI)	8	
E-9-20		HPZ1-12211-004	SEAL B, VALVE STEM(NOK)	8	
E-9-20	6	HZY6-12251-003	GASKET COMP., CYLINDER HEAD	1	
E-9-20	7	HRAA-15815-A02	FILTER ASSY., SPOOL VALVE	1	
E-9-20	8	HZY9-15815-000	COVER ASSY., OIL PATH	1	
E-9-20	9	HZY6-15834-000	PLUG, VTC HOLE	1	
E-9-20	10	HZY6-15840-000ZA	STRAINER ASSY., VTC	1	*NH8* DARK GRAY
E-9-20	11	HRAA-15845-A01	FILTER ASSY., VTC	1	
E-9-20	12	HZY6-32116-000	BRACKET F, CLIP	1	
E-9-20	13	HPNB-37510-003	SENSOR ASSY., TDC	1	
E-9-20	14	HZY6-37521-000	PLUG, TDC HOLE	1	
E-9-20	15	HPNA-90005-003	BOLT-WASHER, 11X155	10	
E-9-20	16	HPNA-90011-003	BOLT A, HEAD COVER	6	
E-9-20	17	HZY6-90011-000	BOLT, FLANGE, 6X52	3	
E-9-20	18	HZY3-90017-000	BOLT, FLANGE, 6X16	2	
E-9-20	19	HZW5-90018-000	BOLT, FLANGE, 6X20	4	
E-9-20	20	HZY3-90021-000	BOLT, FLANGE, 6X14	1	
E-9-20	21	HZY6-90048-010	BOLT, SEALING, 20MM	1	
E-9-20	22	HZY6-91303-003	O-RING, 15X1.9	1	
E-9-20	23	HPNA-91333-003	O-RING, 15X1.9	1	
E-9-20	24	HCO-94109-20000	WASHER, DRAIN PLUG, 20MM	1	
E-9-20	25	HCO-94301-10160	DOWEL PIN, 10X16	20	
E-9-20	26	HCO-94301-14200	DOWEL PIN, 14X20	2	
E-9-20	27	HCO-95701-06020-08	BOLT, FLANGE, 6X20	1	



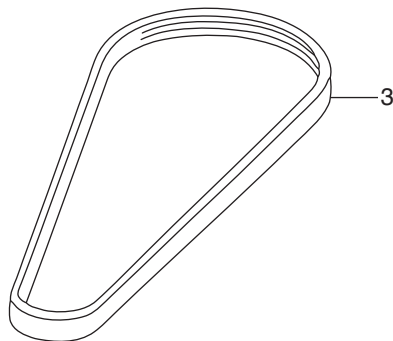
FR. 

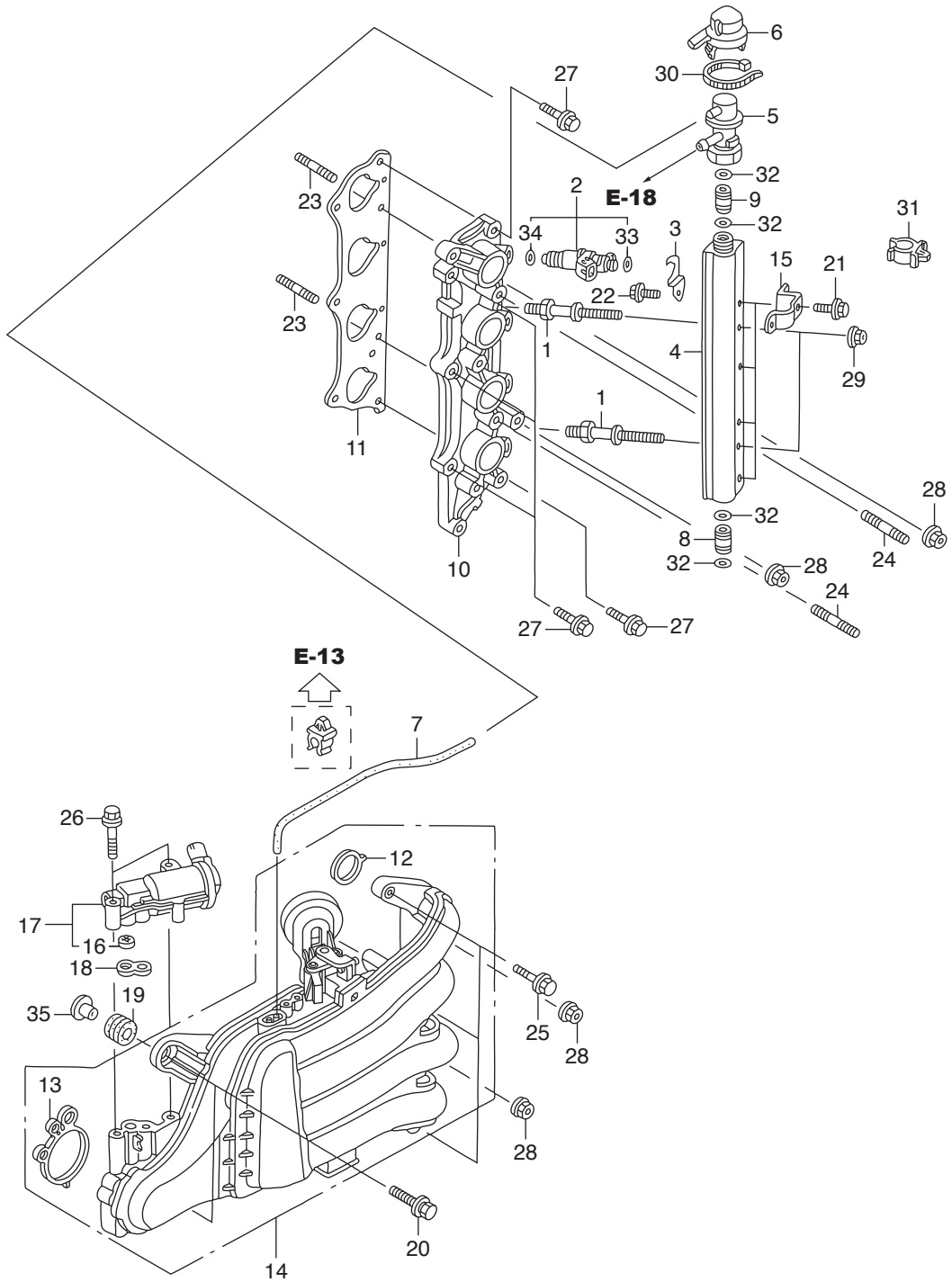




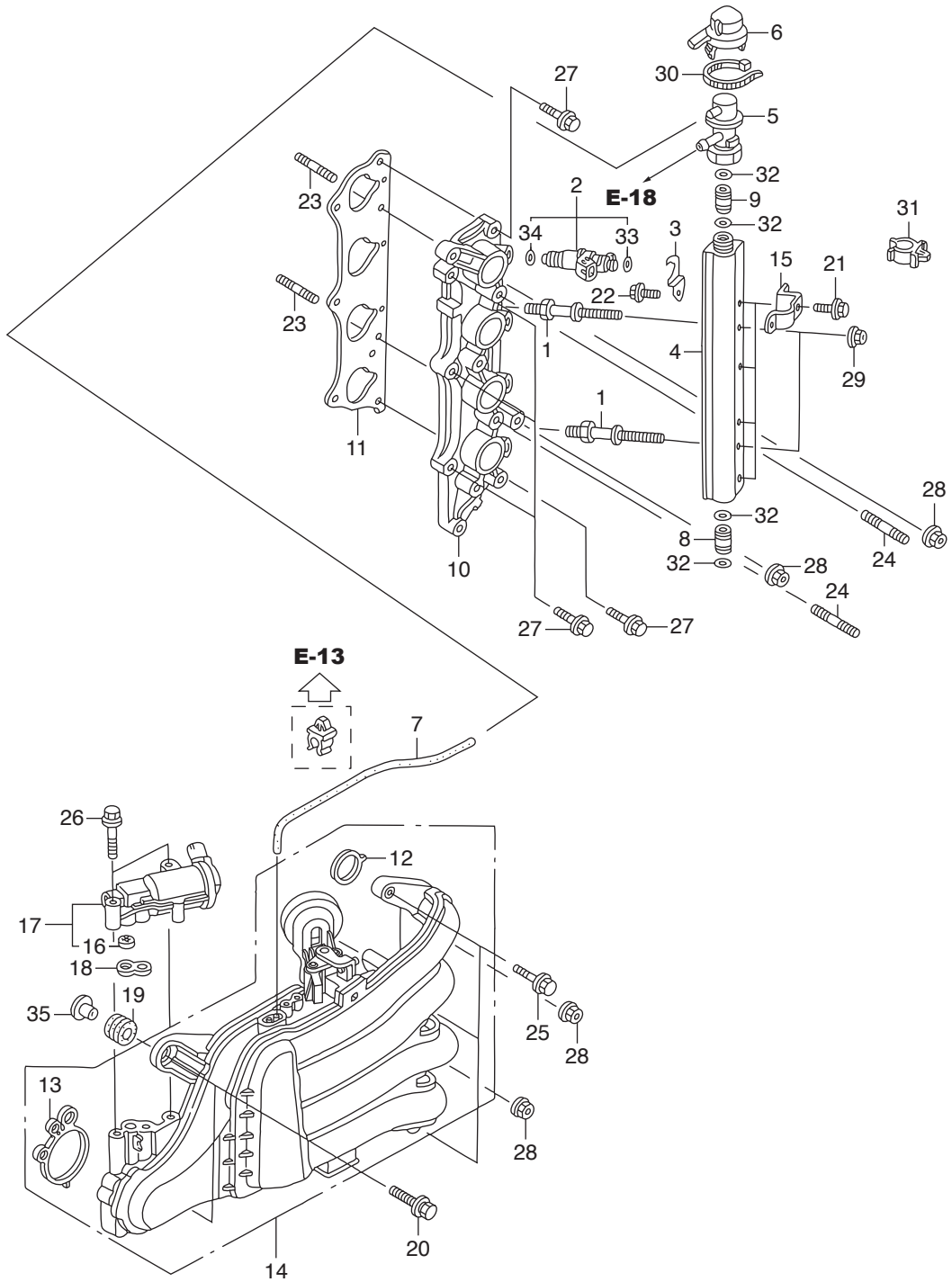
➔ E-7

FR. ➔

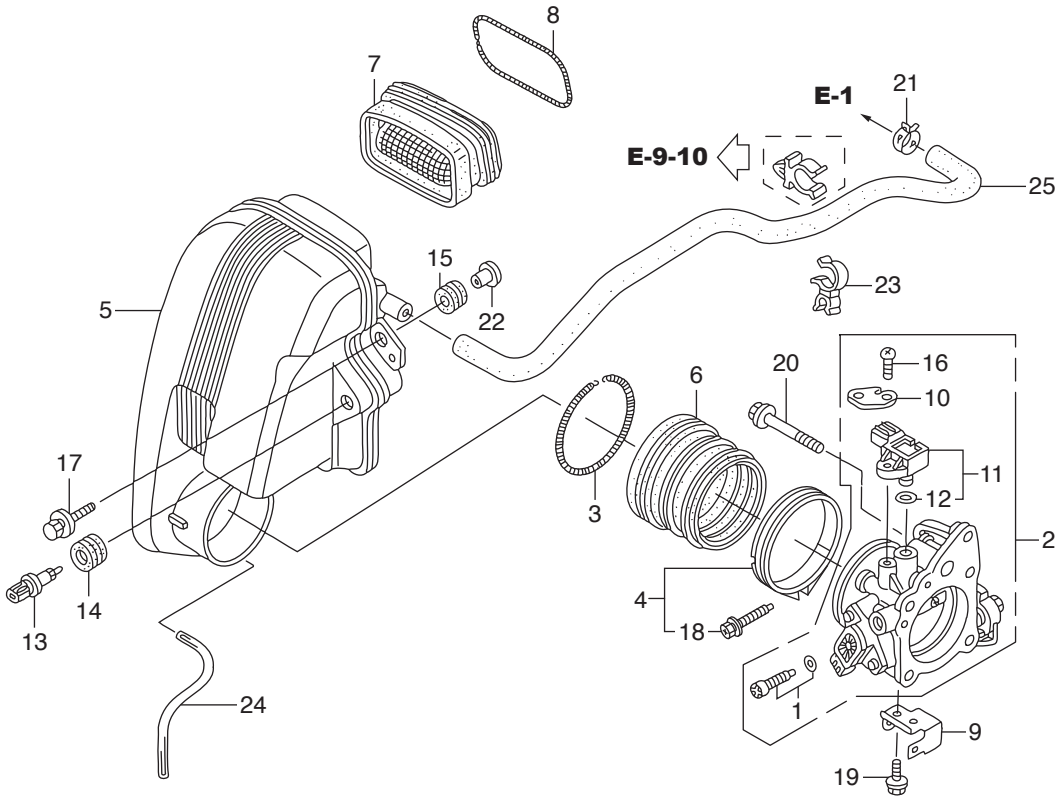




Ref.No.	Part No.	Description	Q' ty	Remarks	
			BFT115A		
E-14	1	HZY6-16089-000	BOLT, FUEL PIPE	2	
E-14	2	HZY6-16450-003	INJECTOR ASSY., FUEL	4	
E-14	3	HZY6-16451-000	CLIP, INJECTOR	4	
E-14	4	HZY6-16621-000	LINE, FUEL	1	
E-14	5	HZY6-16740-003	REGULATOR ASSY., PRESSURE	1	
E-14	6	HZY6-16744-010	CAP, REGULATOR	1	
E-14	7	HZY6-16748-000	TUBE, PRESSURE REGULATOR	1	CONTROL
E-14	8	HZY3-16752-000	JOINT, FUEL PIPE	1	
E-14	9	HZY6-16752-000	JOINT, FUEL PIPE	1	
E-14	10	HZY6-17051-000ZA	BASE, INJECTOR	1	*NH8* DARK GRAY
E-14	11	HPNA-17055-004	GASKET A, INJECTOR BASE	1	
E-14	12	HZY6-17105-000	PACKING, INTAKE MANIFOLD	4	
E-14	13	HZY6-17109-000	PACKING, THROTTLE BODY	1	
E-14	14	HZX1-17110-003	MANIFOLD COMP., INLET	1	
E-14	15	HZY6-32111-000	BRACKET A, HARNESS CLIP	4	
E-14	16	HPS4-36454-003	FILTER COMP., ELECTRONIC AIR	1	CONTROL VALVE(TOYO ROKI)
E-14	17	HZY6-36550-003	VALVE ASSY., ELECTRONIC AIR	1	CONTROL
E-14	18	HZY6-36551-003	PACKING, ELECTRONIC AIR	1	CONTROL VALVE
E-14	19	H121-51640-730	RUBBER, FR. CARRIER CUSHION	2	
E-14	20	HZW1-90014-000	BOLT-WASHER, 8X35	2	
E-14	21	HZY3-90021-000	BOLT, FLANGE, 6X14	4	
E-14	22	HZY3-90042-000	BOLT, FLANGE, 6X10	4	
E-14	23	HZY6-90043-000	BOLT, STUD 2, 8X25	2	
E-14	24	HZY6-90047-000	BOLT, STUD, 8X32	2	
E-14	25	HZY3-90054-000	BOLT, FLANGE, 8X35	3	
E-14	26	HZW4-90126-000	BOLT, FLANGE, 8X45	2	
E-14	27	HZW4-90151-000	BOLT, FLANGE, 8X25	5	
E-14	28	HZY3-90205-000	NUT, FLANGE, 8MM	4	
E-14	29	HZW2-90301-F00	NUT, FLANGE, 6MM	2	

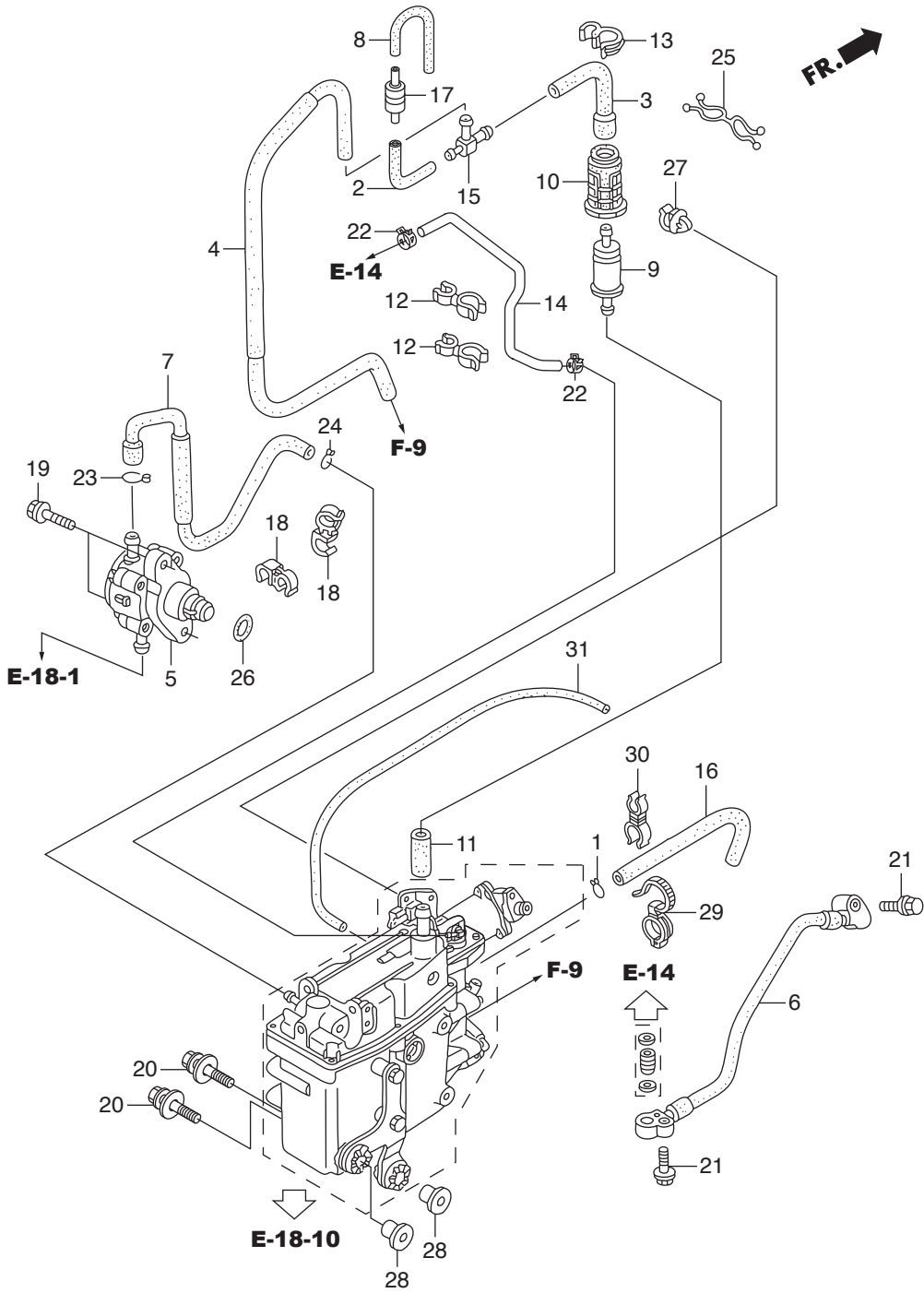


FR.

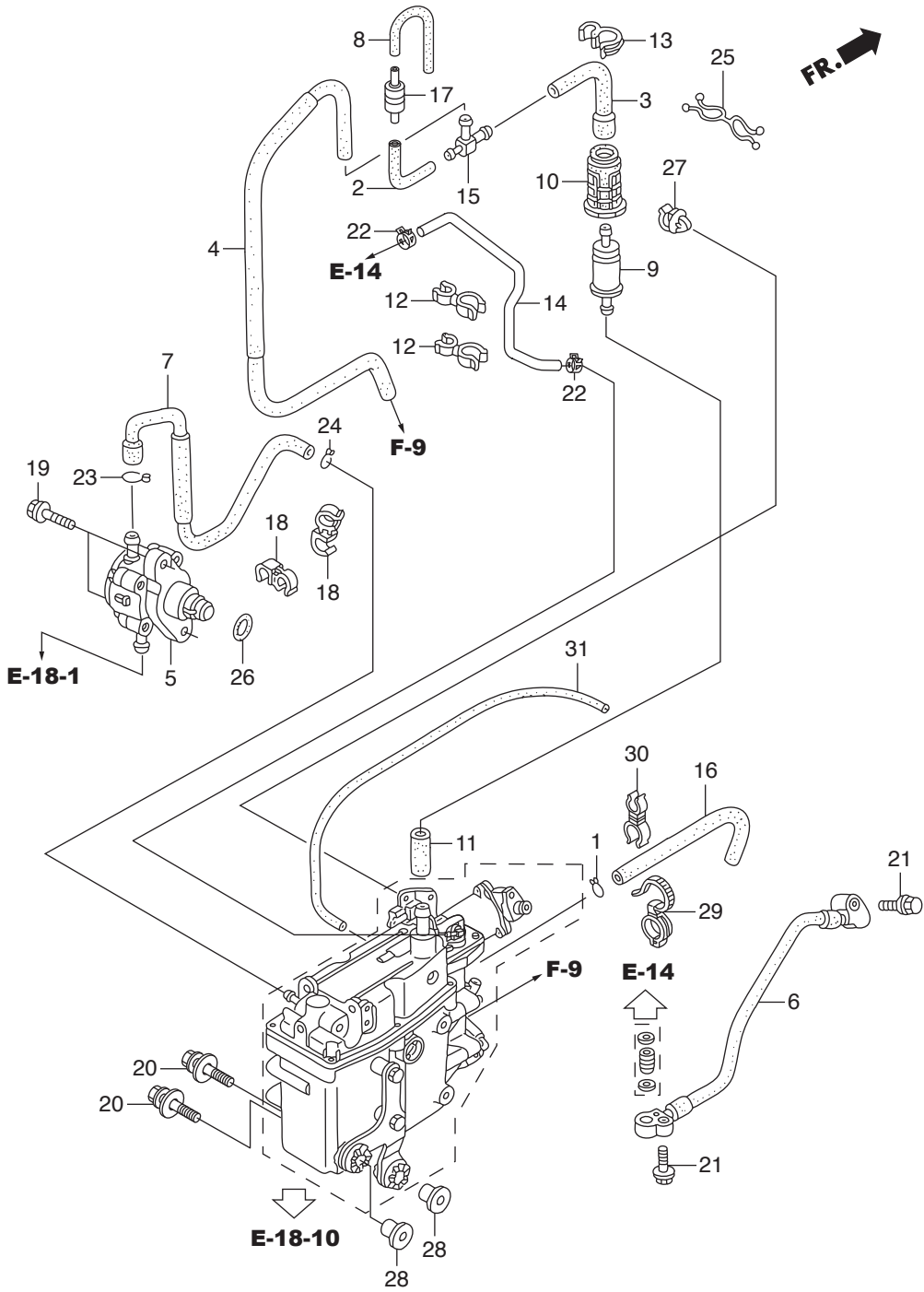


FR.

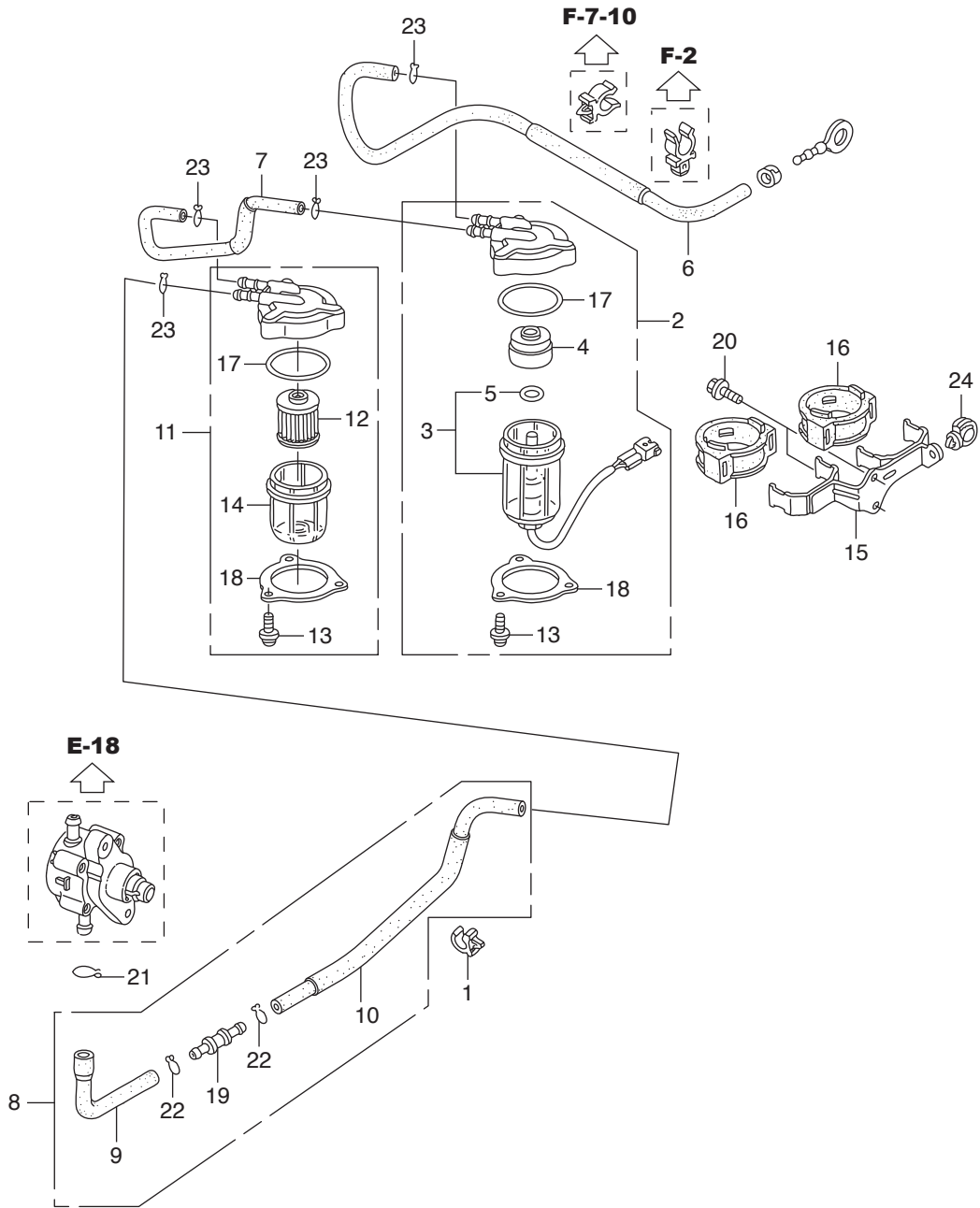
Ref.No.	Part No.	Description	Q' ty	Remarks	
			BFT115A		
E-15	1	HZY6-16016-003	SCREW SET	1	
E-15	2	HZY6-16400-013	THROTTLE BODY ASSY.	1	
E-15	3	HPY3-17249-000	SPRING, AIR FLOW TUBE	1	
E-15	4	HZY9-17315-000	BAND, AIR FLOW	1	
E-15	5	HZY6-17371-020	CASE COMP., SILENCER	1	
E-15	6	HZY6-17374-000	GROMMET, SILENCER	1	
E-15	7	HZY6-17397-013	GROMMET, SILENCER DUCT	1	
E-15	8	HZY6-17398-000	SPRING, SILENCER DUCT GROMMET	1	
E-15	9	HZY6-32115-000	BRACKET E, HARNESS CLIP	1	
E-15	10	HZY3-32128-000	BRACKET, SENSOR CORD	1	
E-15	11	HRNA-37830-A01	SENSOR ASSY., MAP	1	
E-15	12	HPGK-37835-A01	O-RING	1	
E-15	13	HPLC-37880-004	SENSOR ASSY., AIR TEMP	1	(MATSUSHITA DENSHI)
E-15	14	HP2A-37881-000	GROMMET, TA SENSOR	1	
E-15	15	HZV5-40102-000	GROMMET, UNDER CASE	3	
E-15	16	HZY6-90006-000	SCREW, PAN, 5X18	1	
E-15	17	HZW1-90013-000	BOLT-WASHER, 6X25	3	
E-15	18	HZY9-90017-000	BOLT-WASHER, 5X30	1	
E-15	19	HZY3-90056-000	BOLT, FLANGE, 6X12	1	
E-15	20	HZV1-90127-010	BOLT, FLANGE, 8X60	4	
E-15	21	HZV3-90601-030	CLAMP, TUBE(D17)	1	
E-15	22	HZV5-91553-010	COLLAR, C.D.I. UNIT CASE	3	
E-15	23	HSF1-91595-003	CLAMP, FUEL HOSE	1	
E-15	24	HCO-95003-07016-31	TUBE, VINYL, 4X7X160	1	(HC-95003-07001-60M)
E-15	25	HCO-95005-12740-20	TUBE, 12X740	1	(HC-95005-12001-20M)



Ref.No.	Part No.	Description	Q' ty	Remarks	
			BFT115A		
E-18	1	HGHB-16163-610	CLIP, TUBE	1	
E-18	2	HZY6-16196-000	TUBE COMP. C, AIR VENT	1	
E-18	3	HZY6-16198-000	TUBE B, AIR VENT	1	
E-18	4	HZY6-16199-000	TUBE COMP., AIR VENT	1	
E-18	5	HZY6-16700-013	PUMP ASSY., FUEL	1	
E-18	6	HZY6-16755-003	HOSE COMP., FUEL	1	
E-18	7	HZY6-16860-000	TUBE COMP. B, FUEL	1	
E-18	8	HZV5-16881-000	TUBE D, FUEL	1	
E-18	9	H759-16911-003	STRAINER, FUEL PUMP	1	
E-18	10	HZW5-16915-000	SUSPENSION, STRAINER	1	
E-18	11	HMZ5-16952-000	TUBE B, FUEL	1	
E-18	12	HVM0-16965-771	CLAMP, HOSE	2	
E-18	13	HKV7-17368-671	CLAMP, PIPE	1	
E-18	14	HZY6-17723-020	HOSE, PRESSURE REGULATOR	1	RETURN
E-18	15	HZY6-19269-000	T-JOINT	1	
E-18	16	HZY6-19273-000	TUBE G, WATER	1	
E-18	17	HZY6-36135-003	VALVE, CHECK	1	
E-18	18	HSE0-53740-953	CLIP, SENSOR HOSE	2	
E-18	19	HZY6-90010-000	BOLT, FLANGE, 6X27	2	
E-18	20	HZW1-90014-000	BOLT-WASHER, 8X35	2	
E-18	21	HZW9-90016-000	BOLT, FLANGE, 6X25	2	
E-18	22	HZW5-90601-030	CLAMP, TUBE(D10.7)	2	
E-18	23	HZY6-90601-000	CLIP, TUBE(B1 14.5)	1	
E-18	24	HZV0-90604-000	CLIP, TUBE(B12)	1	
E-18	25	HZY6-90605-003	CLIP, FUEL HOSE	1	
E-18	26	HPA9-91317-003	O-RING, 33.2X2.4(NOK)	1	
E-18	27	HSE0-91547-003	CLIP, HARNESS	1	
E-18	28	HZW1-91554-000	COLLAR, 8.5X14.5	2	
E-18	29	HSM4-91558-003	CLIP, TUBE(BLACK)(135MM)	1	

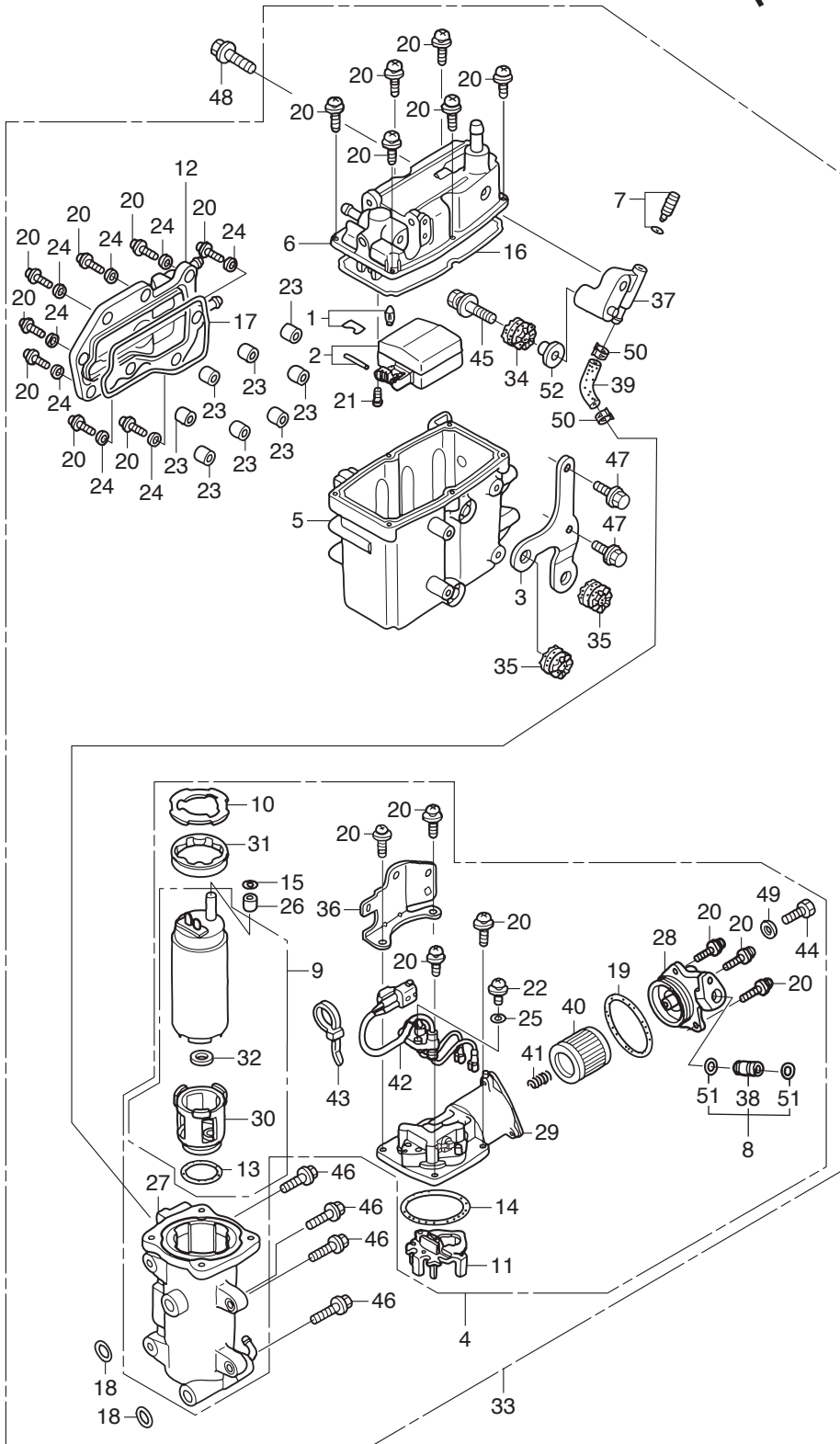


FR. 



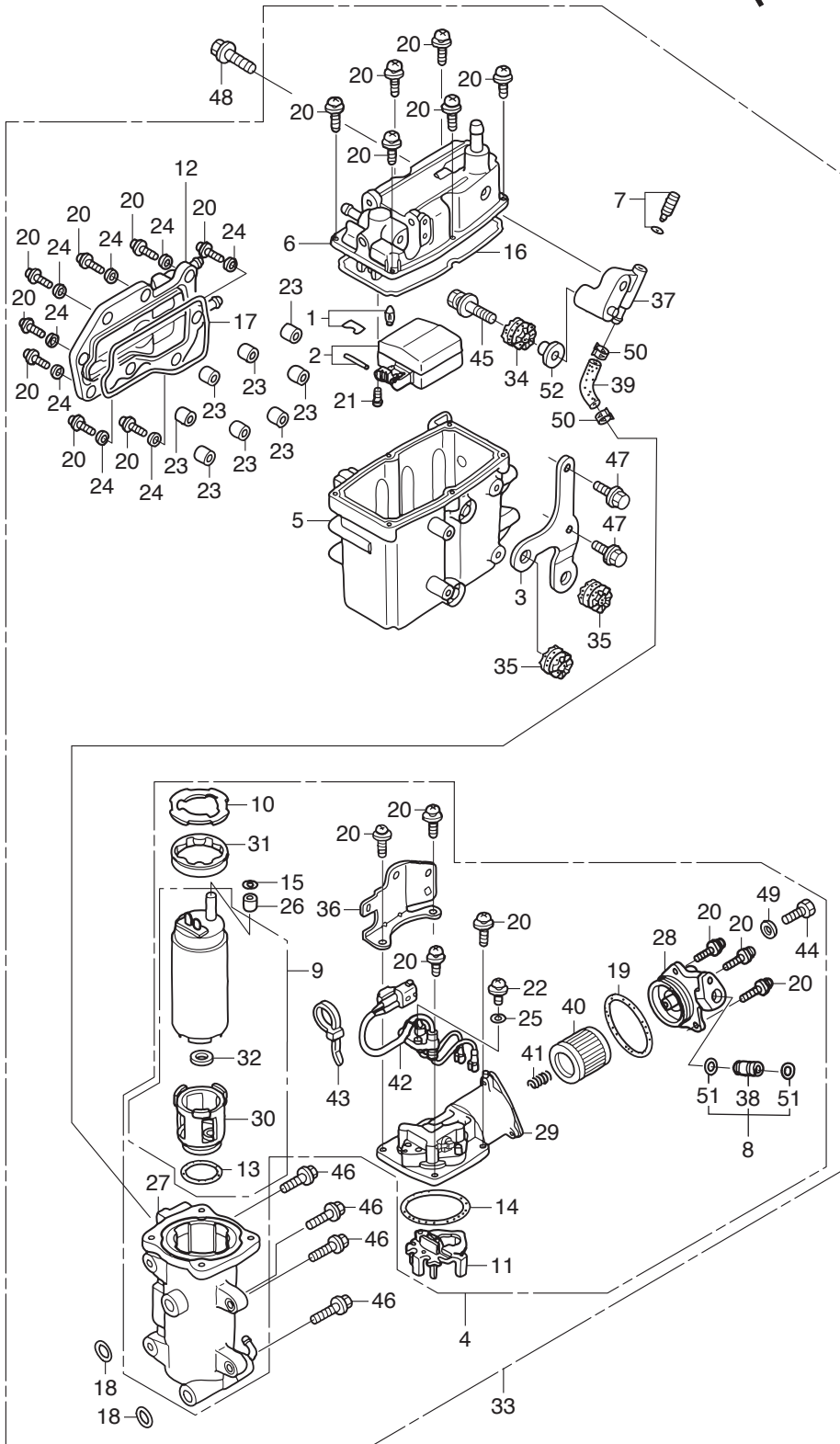
Ref.No.	Part No.	Description	Q' ty	Remarks	
			BFT115A		
E-18-1	1	HZE2-16731-003	CLIP, TUBE	1	
E-18-1	2	HZY6-16800-003	SEPARATOR ASSY., WATER	1	
E-18-1	3	HZY6-16805-003	CUP SET, WATER SEPARATOR	1	
E-18-1	4	HZY3-16807-003	BUFFER, PLATE	1	
E-18-1	5	HZY3-16818-003	O-RING	1	
E-18-1	6	HZY6-16850-000	TUBE COMP. A, FUEL	1	
E-18-1	7	HZY6-16871-000	TUBE C, FUEL	1	
E-18-1	8	HZY6-16880-030	TUBE ASSY. D, FUEL	1	
E-18-1	9	HZY6-16881-000	TUBE D, FUEL	1	
E-18-1	10	HZY6-16890-000	TUBE COMP. E, FUEL	1	
E-18-1	11	HZY3-16900-003	STRAINER COMP., FUEL	1	
E-18-1	12	HZY3-16901-003	STRAINER, FUEL	1	
E-18-1	13	HZY3-16904-003	SCREW, PAN, 5X12	6	
E-18-1	14	HZY3-16912-003	CUP, FUEL STRAINER	1	
E-18-1	15	HZY6-16914-010	STAY, FUEL STRAINER	1	
E-18-1	16	HZY3-16915-010	SUSPENSION, STRAINER	2	
E-18-1	17	HZY3-16918-003	O-RING	2	
E-18-1	18	HZY3-16919-003	PLATE	2	
E-18-1	19	HMR5-16966-000	JOINT, FUEL TUBE	1	
E-18-1	20	HZY3-90021-000	BOLT, FLANGE, 6X14	2	
E-18-1	21	HZY6-90601-000	CLIP, TUBE(B1 14.5)	1	
E-18-1	22	HZW5-90602-030	CLAMP, TUBE(D12)	2	
E-18-1	23	HZV0-90604-000	CLIP, TUBE(B12)	4	
E-18-1	24	HSA0-90683-003	CLIP, WIRE HARNESS, 25MM	1	

FR. →



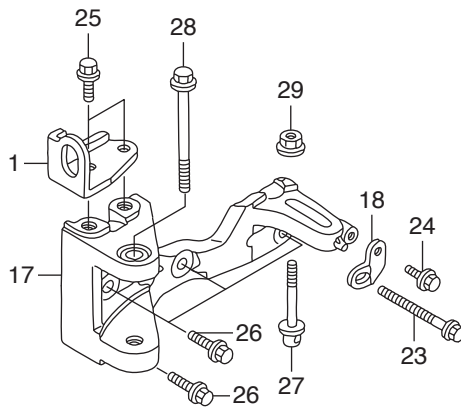
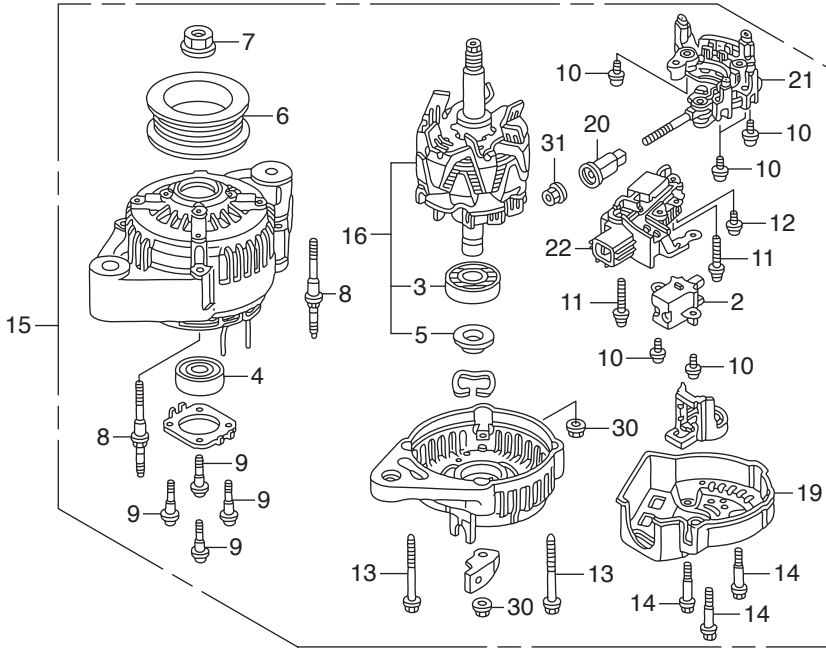
Ref.No.	Part No.	Description	Q' ty	Remarks	
			BFT115A		
E-18-10	1	HZY3-16011-000	VALVE SET, FLOAT	1	
E-18-10	2	HZY3-16013-000	FLOAT SET	1	
E-18-10	3	HZY6-16014-003	STAY A, PLATE	1	
E-18-10	4	HZY6-16017-043	PUMP UNIT, FUEL	1	
E-18-10	5	HZY6-16019-003	BODY COMP., CHAMBER	1	
E-18-10	6	HZY6-16020-023	COVER COMP.	1	
E-18-10	7	HZY3-16024-000	SCREW SET, DRAIN	1	
E-18-10	8	HZY3-16026-000	JOINT SET	1	
E-18-10	9	HZY6-16036-003	PUMP UNIT, FUEL(B)	1	
E-18-10	10	HZY3-16041-000	PLATE	1	
E-18-10	11	HZY3-16042-000	HOLDER	1	
E-18-10	12	HZY3-16061-000	COVER, WATER JACKET	1	
E-18-10	13	HZY3-16072-000	O-RING	1	
E-18-10	14	HZY3-16073-000	O-RING	1	
E-18-10	15	HZY3-16074-000	O-RING	1	
E-18-10	16	HZY3-16075-000	O-RING	1	
E-18-10	17	HZY3-16076-000	O-RING	1	
E-18-10	18	HZY3-16077-000	O-RING	2	
E-18-10	19	HZY3-16078-000	O-RING	1	
E-18-10	20	HZW5-16081-010	SCREW-WASHER	21	
E-18-10	21	HZY3-16082-000	SCREW, PAN	2	
E-18-10	22	HZY3-16083-000	SCREW, WASHER	1	
E-18-10	23	HZW5-16086-000	COLLAR	8	
E-18-10	24	HZW5-16087-000	WASHER, PLAIN	8	
E-18-10	25	HZY3-16087-000	WASHER, PLAIN	1	
E-18-10	26	HZY3-16088-000	COLLAR	1	
E-18-10	27	HZY6-16701-003	CASE COMP., PUMP	1	
E-18-10	28	HZW5-16708-003	COVER, PUMP(B)	1	
E-18-10	29	HZW5-16715-023	COVER, PUMP(A)	1	

FR. →



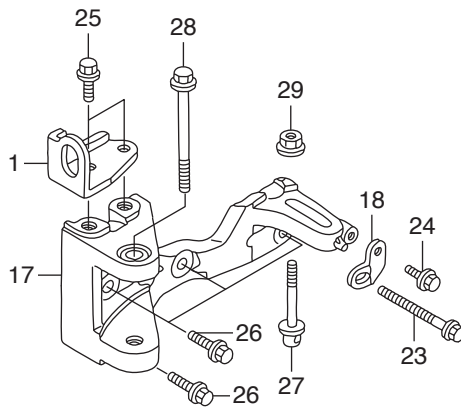
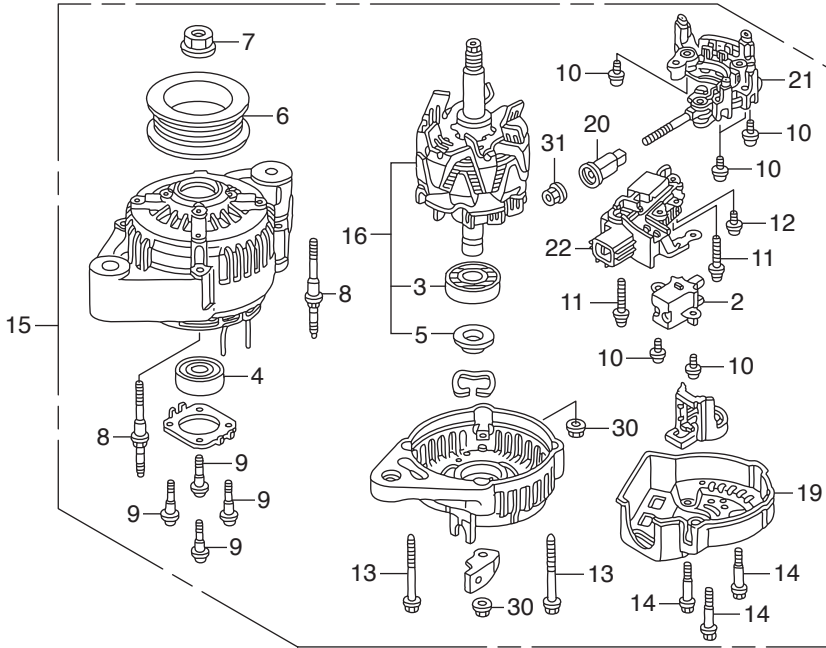
Ref.No.	Part No.	Description	Q' ty	Remarks	
			BFT115A		
E-18-10	30	HZY6-16718-013	INSULATOR COMP.	1	
E-18-10	31	HZY3-16721-000	INSULATOR	1	
E-18-10	32	HZY6-16723-003	RING	1	
E-18-10	33	HZY6-16730-063	SEPARATOR ASSY., VAPOR	1	
E-18-10	34	HZW5-16733-000	GROMMET, VAPOR SEPARATOR	1	
E-18-10	35	HZY3-16733-000	GROMMET, VAPOR SEPARATOR	2	
E-18-10	36	HZY6-16734-003	STAY, PLATE	1	
E-18-10	37	HZY6-16736-003	STAY, VAPOR SEPARATOR	1	
E-18-10	38	HZY3-16752-000	JOINT, FUEL PIPE	1	
E-18-10	39	HZY6-16840-A00	TUBE F, FUEL	1	
E-18-10	40	HZY3-16911-010	SCREEN COMP., FUEL STRAINER	1	
E-18-10	41	HZY3-16913-000	SPRING, SET	1	
E-18-10	42	HZY6-32166-003	HARNESS COMP.	1	
E-18-10	43	HZW5-32168-003	BAND	1	
E-18-10	44	HPP4-90009-E01	BOLT, SEALING, 6MM	1	
E-18-10	45	HZW1-90014-000	BOLT-WASHER, 8X35	1	
E-18-10	46	HZW9-90016-000	BOLT, FLANGE, 6X25	4	
E-18-10	47	HZY3-90017-000	BOLT, FLANGE, 6X16	2	
E-18-10	48	HZY3-90049-000	BOLT, FLANGE, 8X30	1	
E-18-10	49	HPD6-90430-003	WASHER, SEALING, 6MM	1	
E-18-10	50	HZY6-90607-000	CLAMP, TUBE(8.0)	2	
E-18-10	51	HMJ0-91301-003	O-RING, 7.8X1.9(ARAI)	2	
E-18-10	52	HZW1-91554-000	COLLAR, 8.5X14.5	1	

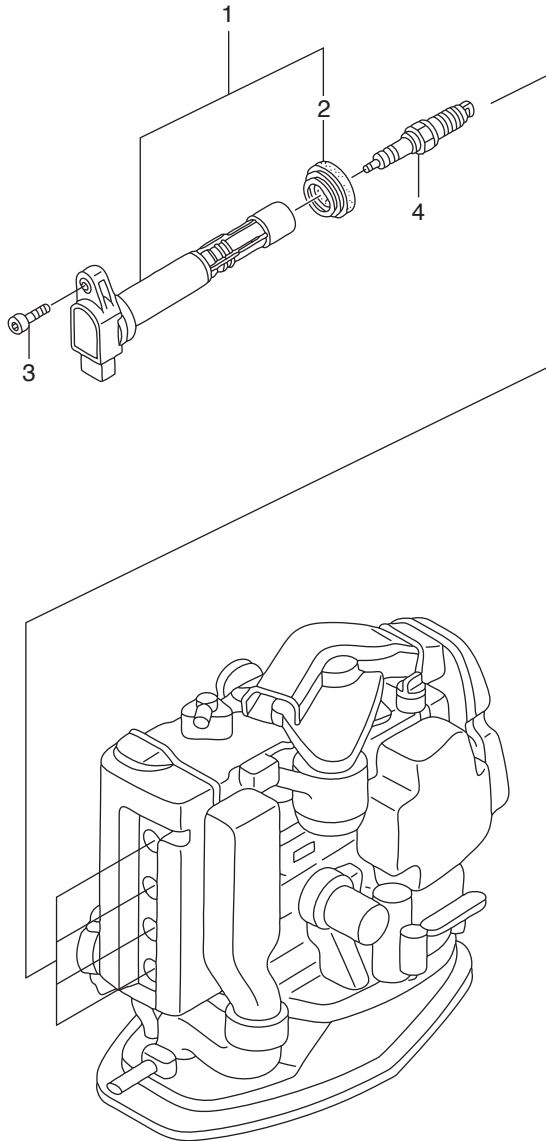
FR. 

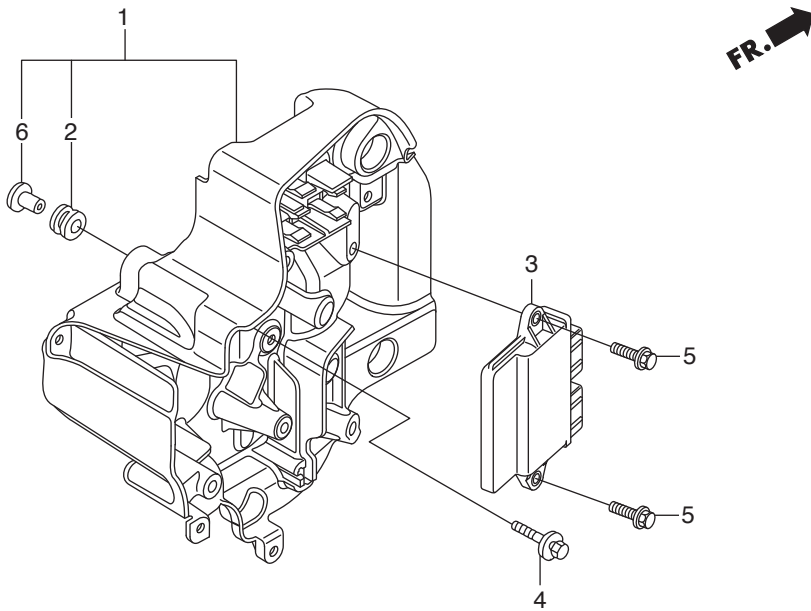


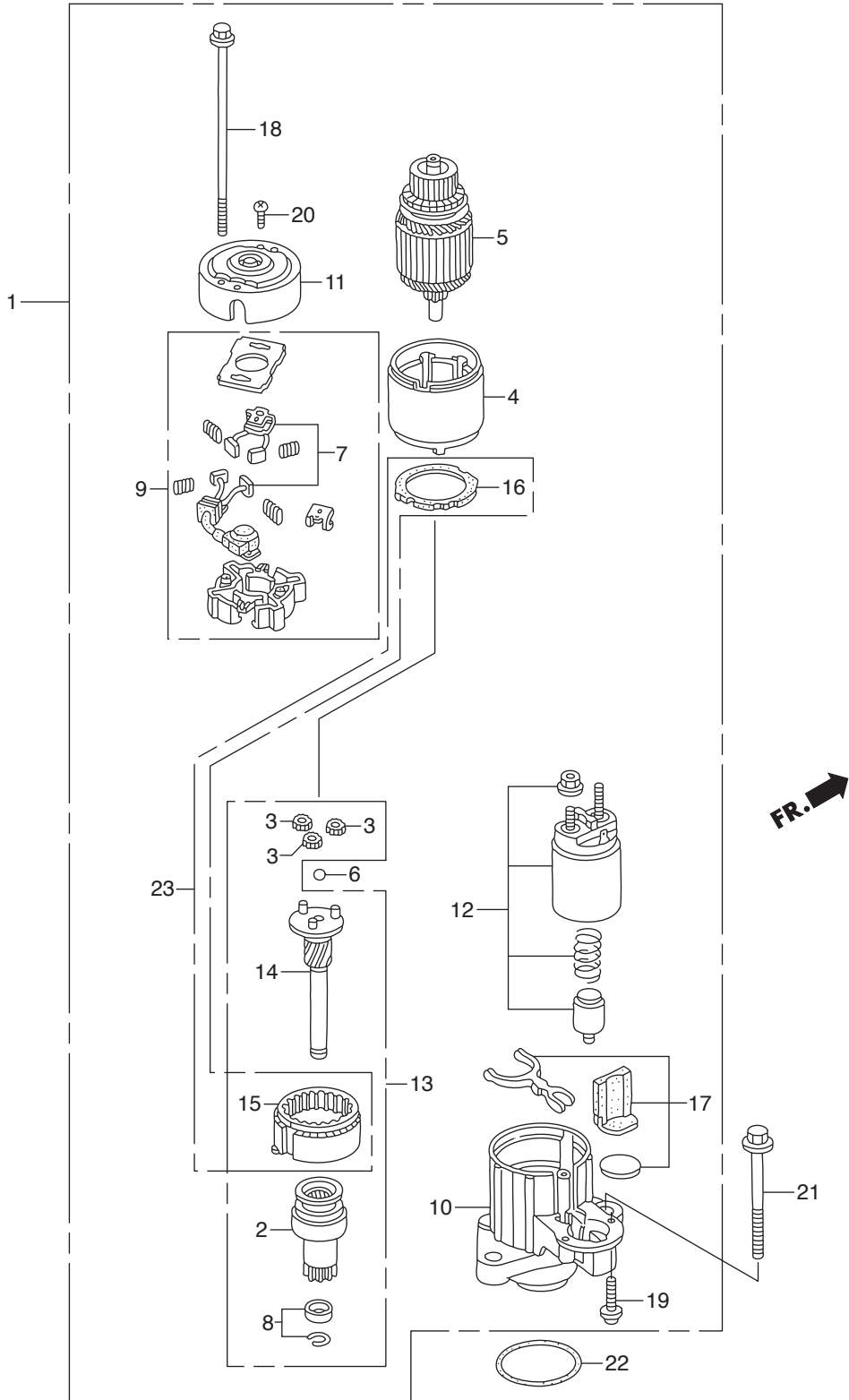
Ref.No.	Part No.	Description	Q' ty	Remarks	
			BFT115A		
E-19	1	HZY6-11912-000	HANGER B, ENGINE	1	
E-19	2	HPZ1-31105-003	HOLDER ASSY., BRUSH	1	
E-19	3	HPJ7-31111-013	BEARING, RR.	1	
E-19	4	HPJ7-31114-013	BEARING, FR.	1	
E-19	5	HPD1-31138-004	COVER, BEARING	1	
E-19	6	HP64-31141-003	PULLEY	1	
E-19	7	HPD1-31142-004	NUT, PULLEY LOCK	1	
E-19	8	HPE9-31145-941	BOLT, STUD	2	
E-19	9	HPJ7-31146-003	SCREW	4	
E-19	10	HPT0-31147-003	SCREW-WASHER	6	
E-19	11	HPD1-31148-004	SCREW-WASHER, 4X25	2	
E-19	12	HPZ1-31149-003	SCREW	1	
E-19	13	HPE9-31152-942	BOLT-WASHER	2	
E-19	14	HPZ1-31153-003	BOLT	3	
E-19	15	HZY6-31630-003	GENERATOR ASSY., A.C.	1	
E-19	16	HZW5-31631-003	ROTOR ASSY.	1	
E-19	17	HZY6-31636-010	BRACKET COMP., A.C. GENERATOR	1	
E-19	18	HZY6-31637-000	STAY, A.C. GENERATOR	1	
E-19	19	HZW5-31639-003	END COVER, RR.	1	
E-19	20	HZW5-31644-003	BUSH, INSULATION	1	
E-19	21	HZW5-31710-003	RECTIFIER ASSY.	1	
E-19	22	HZY6-31750-003	REGULATOR ASSY.	1	
E-19	23	HZW5-90011-010	BOLT, SPECIAL ADJUSTER	1	
E-19	24	HZY3-90017-000	BOLT, FLANGE, 6X16	1	
E-19	25	HZY3-90026-000	BOLT, FLANGE, 8X20	2	
E-19	26	HZY3-90035-000	BOLT, FLANGE, 8X28	4	
E-19	27	HZY3-90055-000	BOLT, TENSIONER	1	
E-19	28	HZW4-90163-000	BOLT, FLANGE, 10X80	1	
E-19	29	HZW5-90203-010	NUT, FLANGE, 8MM	1	

FR. 

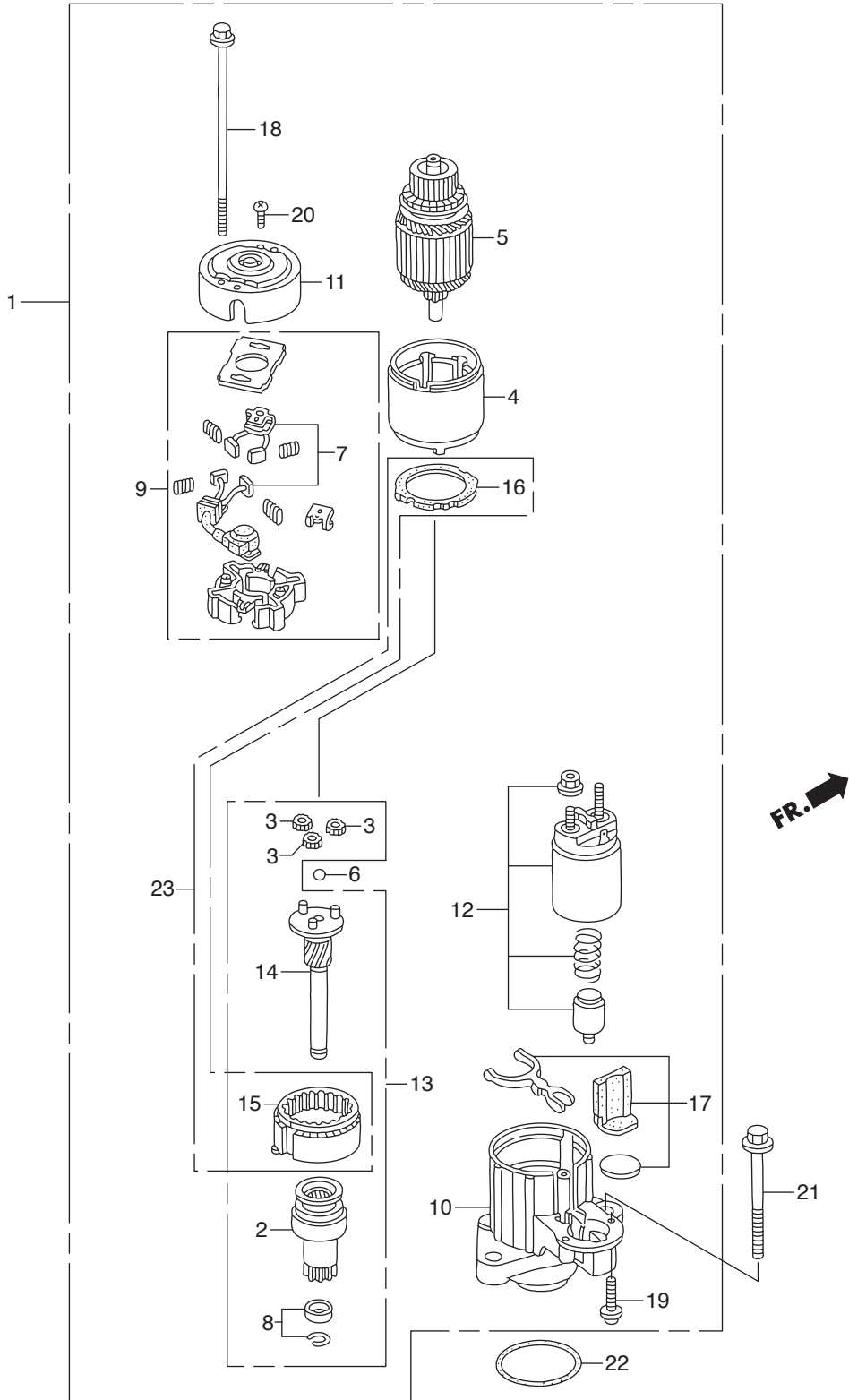




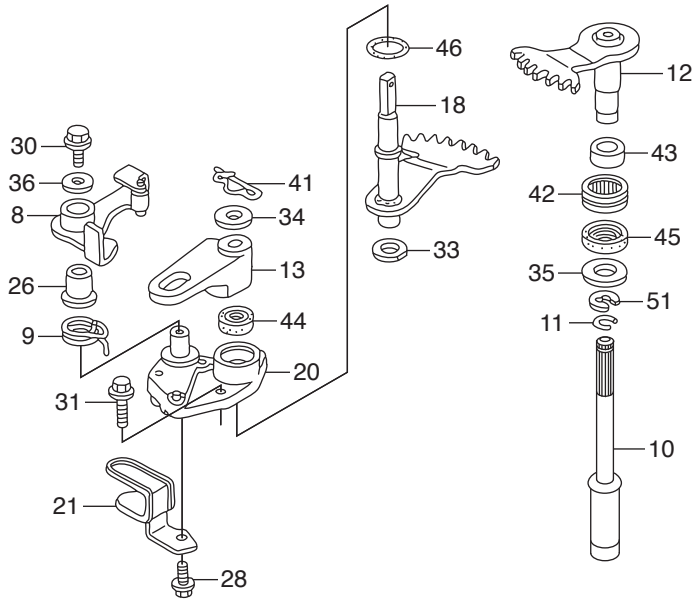
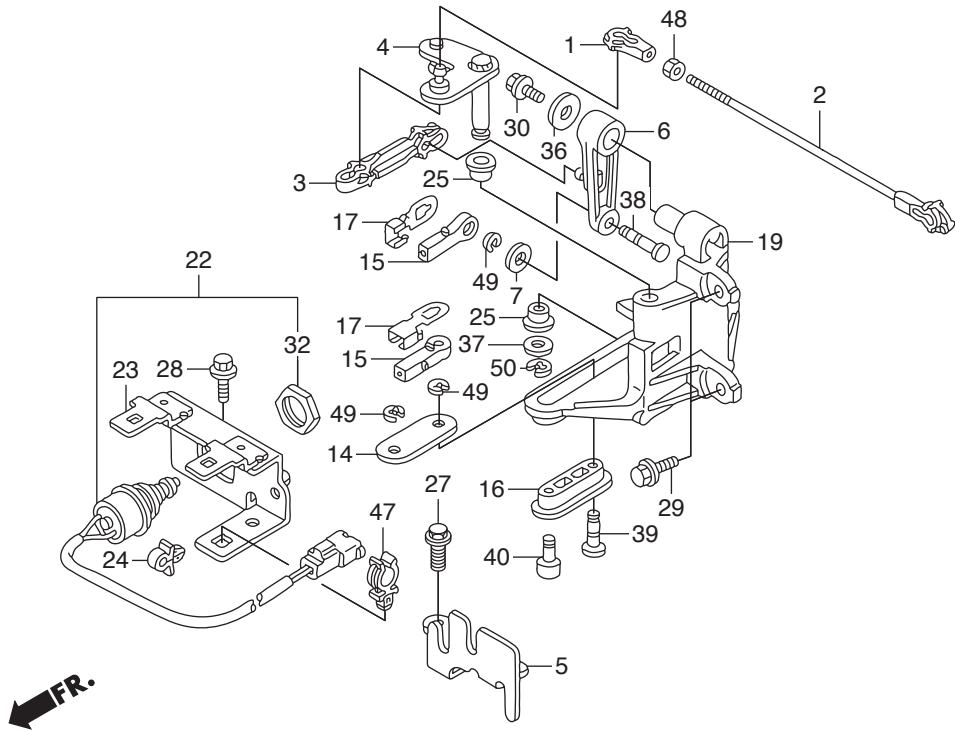




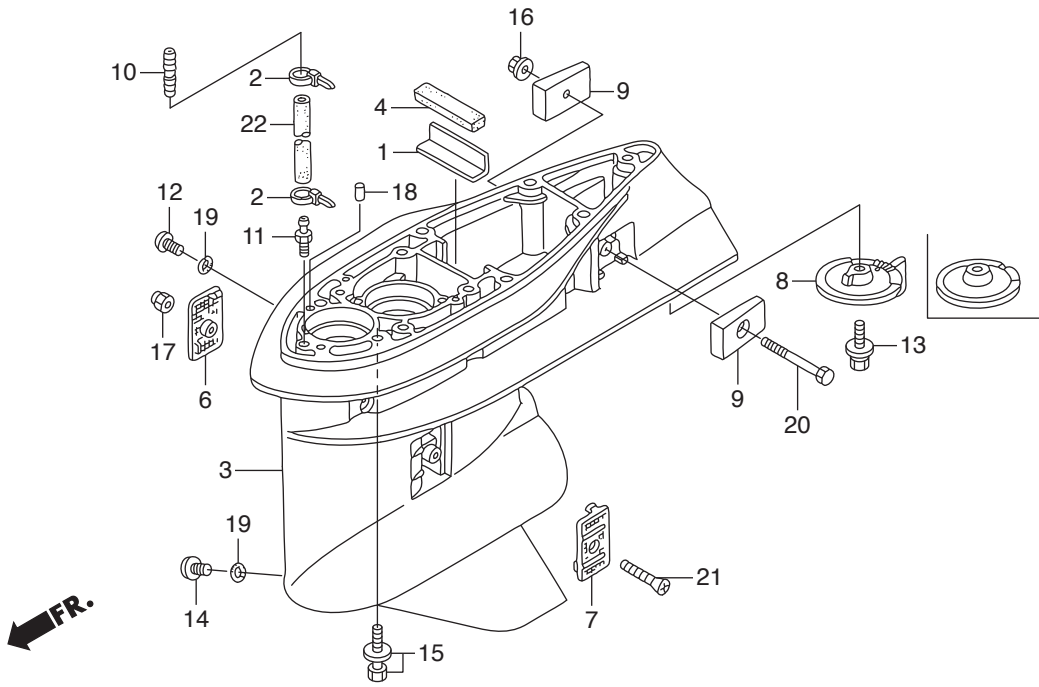
Ref.No.	Part No.	Description	Q' ty	Remarks	
			BFT115A		
E-21	1	HZY6-31200-003	MOTOR ASSY., STARTER	1	
E-21	2	HZY3-31207-003	CLUTCH COMP., OVERRUNNING	1	#~1004968 #~6000047
E-21		HZY9-31207-H01	CLUTCH COMP., OVERRUNNING	1	#1004969~ #6000048~
E-21	3	HPY3-31215-004	GEAR ASSY., PLANETARY	3	
E-21	4	HZY6-31216-003	YOKE COMP.	1	
E-21	5	HZW5-31217-003	ROTOR COMP.	1	
E-21	6	HPY3-31218-004	BALL, STEEL	1	
E-21	7	HZY6-31226-003	BRUSH SET	1	#~1004968 #~6000047
E-21		HZY6-31227-003	BRUSH SET	1	#1004969~ #6000048~
E-21	8	HZW1-31229-004	STOPPER SET, SLEEVE	1	#~1004968 #~6000047
E-21		HZY9-31229-H01	STOPPER SET, SLEEVE	1	#1004969~ #6000048~
E-21	9	HZY6-31231-003	HOLDER COMP., BRUSH	1	#~1004968 #~6000047
E-21		HZY6-31232-003	HOLDER COMP., BRUSH	1	#1004969~ #6000048~
E-21	10	HZY6-31235-003	BRACKET, FR.	1	
E-21	11	HZY6-31236-003	BRACKET, RR.	1	
E-21	12	HZY6-31240-003	SWITCH ASSY., MAGNET	1	#~1004968 #~6000047
E-21		HZY9-31240-003	SWITCH ASSY., MAGNET	1	#1004969~ #6000048~
E-21	13	HZY6-31242-003	SHAFT ASSY., CLUTCH	1	#~1004968 #~6000047
E-21		HZY9-31242-H01	SHAFT ASSY., CLUTCH	1	#1004969~ #6000048~
E-21	14	HZY3-31246-003	SHAFT ASSY., GEAR	1	#~1004968 #~6000047
E-21		HZY9-31246-H01	SHAFT ASSY., GEAR	1	#1004969~ #6000048~
E-21	15	HZW1-31247-004	GEAR ASSY., INTERNAL	1	#~1004968 #~6000047
E-21	16	HZW1-31249-004	PACKING	1	#~1004968 #~6000047
E-21	17	HZW1-31250-004	LEVER SET	1	
E-21	18	HZW1-31261-004	BOLT A, THROUGH	2	
E-21	19	HZW1-90106-004	SCREW, PAN, 6X22(SPECIAL)	2	#~1004968 #~6000047
E-21		HZY9-31226-H01	SCREW, PAN, 6X22	2	#1004969~ #6000048~
E-21	20	HZW1-90107-004	SCREW, PAN, 5X8	2	
E-21	21	HZW4-90164-000	BOLT, FLANGE, 10X90	2	



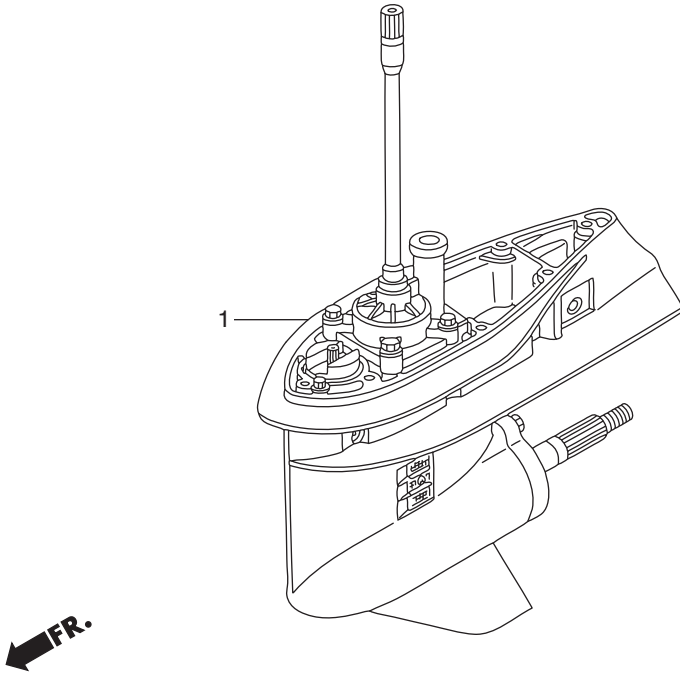
Ref.No.	Part No.	Description	Q' ty	Remarks	
			BFT115A		
F-2	1	HZV5-17838-000	LINKAGE, PIVOT	1	
F-2	2	HZY6-17840-000	ROD COMP., THROTTLE	1	
F-2	3	HZY6-17845-000	LINK, THROTTLE	1	
F-2	4	HZY6-17860-000	PLATE COMP., THROTTLE	1	
F-2	5	HZY6-17877-010	PLATE, REMOTE CONTROL CABLE	1	
F-2	6	HZY6-17931-000	ARM, THROTTLE	1	
F-2	7	H921-17936-000	WASHER, PIVOT	1	
F-2	8	HZY6-24166-000	ARM COMP., CLICK	1	
F-2	9	HZY6-24218-000	SPRING, CLICK	1	
F-2	10	HZY6-24320-000	ROD COMP. A, SHIFT(L)	1	LD,LU
F-2		HZY6-24320-610	ROD COMP. A, SHIFT(XL)	1	XU
F-2	11	HZW1-24327-000	RING, STOPPER	1	
F-2	12	HZY6-24610-000	SHAFT COMP. A, SHIFT	1	
F-2	13	HZY6-24612-020	ARM, SHIFT	1	
F-2	14	HZY6-24614-000	PLATE, SHIFT PIVOT	1	
F-2	15	HZY3-24618-000	PIVOT, SHIFT	2	
F-2	16	HZY6-24618-000	PIVOT, SHIFT SLIDE	1	
F-2	17	HZY3-24619-000	PLATE, LOCK	2	
F-2	18	HZY6-24620-000	SHAFT COMP. B, SHIFT	1	
F-2	19	HZY6-24628-000	BRACKET, SHIFT LINK	1	
F-2	20	HZY6-24629-000ZA	HOLDER, SEAL	1	*NH8* DARK GRAY
F-2	21	HZY6-32418-000	BRACKET A, CABLE	1	
F-2	22	HZY3-35470-023	SWITCH ASSY., NEUTRAL	1	
F-2	23	HZY6-35475-000	BRACKET, NEUTRAL SWITCH	1	
F-2	24	HVM0-46391-003	CLIP, BRAKE PIPE(A)	1	
F-2	25	HZY3-63205-000	BUSH A, COVER LOCK	2	
F-2	26	H763-75538-C01	BUSH, BLADE BRAKE	1	
F-2	27	HZY3-90017-000	BOLT, FLANGE, 6X16	1	
F-2	28	HZY3-90021-000	BOLT, FLANGE, 6X14	2	

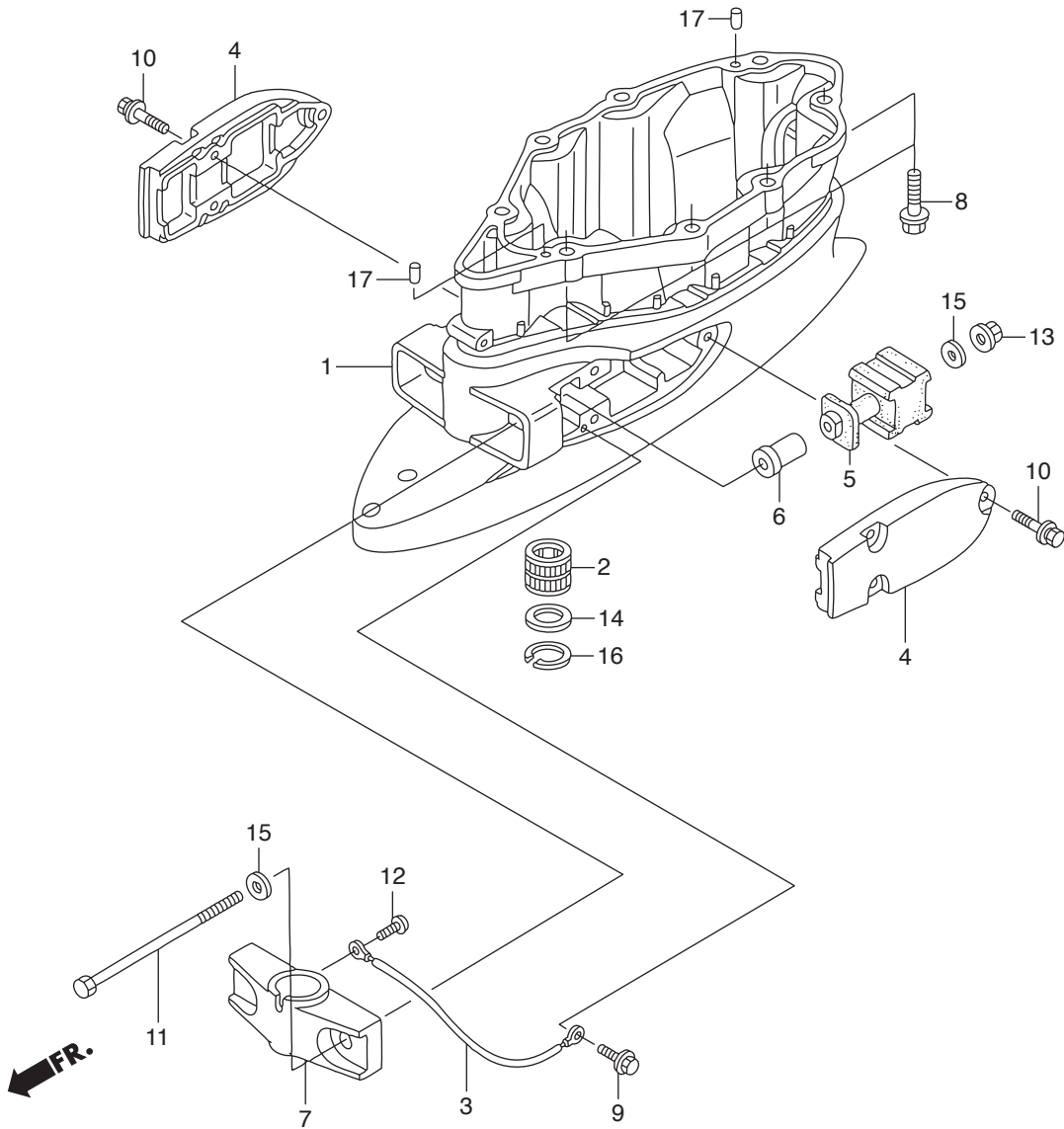


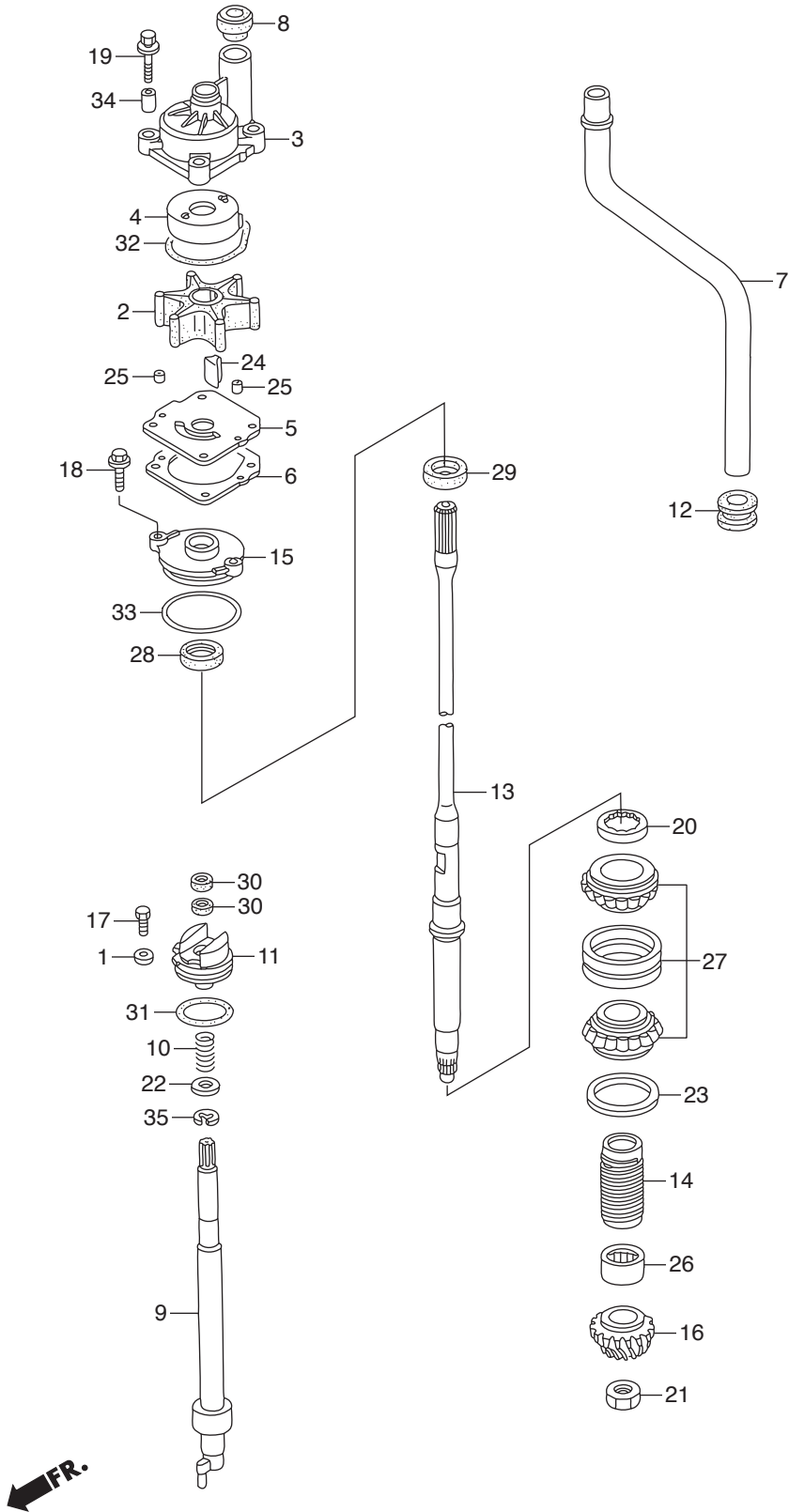
Ref.No.	Part No.	Description	Q' ty	Remarks	
			BFT115A		
F-2	29	HZY3-90028-000	BOLT, FLANGE, 6X18	2	
F-2	30	HZW9-90102-000	BOLT, FLANGE, 6X12	2	
F-2	31	HZW9-90105-000	BOLT, FLANGE, 6X20	2	
F-2	32	HZV5-90302-003	NUT, HEX., 20MM	1	
F-2	33	HZW5-90501-000	WASHER, SHIFT SHAFT	1	
F-2	34	HZY3-90507-000	WASHER, PLAIN, 12MM	1	
F-2	35	HZV7-90508-000	WASHER	1	
F-2	36	HZV4-90512-000	WASHER, PLAIN, 6MM	2	
F-2	37	H921-90518-000	WASHER, PLAIN, 8MM	1	
F-2	38	HZY3-90751-000	PIN, LINK	1	
F-2	39	HZY6-90752-000	PIN, SHIFT LINK	1	
F-2	40	HZY6-90753-000	PIN, LINK	1	
F-2	41	HZY6-90755-003	PIN, SNAP, 12MM	1	
F-2	42	HZY3-91001-003	BEARING, NEEDLE, 20X28X13	1	(SOLID)
F-2	43	HZY3-91152-003	RING, INNER(15X20X23)	1	
F-2	44	HZW5-91251-003	OIL SEAL, 14X26X6	1	
F-2	45	HZY3-91255-003	SEAL, WATER(14X26X8)	1	
F-2	46	HP0X-91321-003	O-RING, 25X2.4(NOK)	1	
F-2	47	HSV1-91549-L01	HOLDER, DRAIN TUBE	1	
F-2	48	HCO-94001-05490-0S	NUT, HEX., 5MM	1	
F-2	49	HCO-94540-04029	E-RING, 4MM	3	
F-2	50	HCO-94540-06029	E-RING, 6MM	1	
F-2	51	HCO-94540-12029	E-RING, 12MM	1	



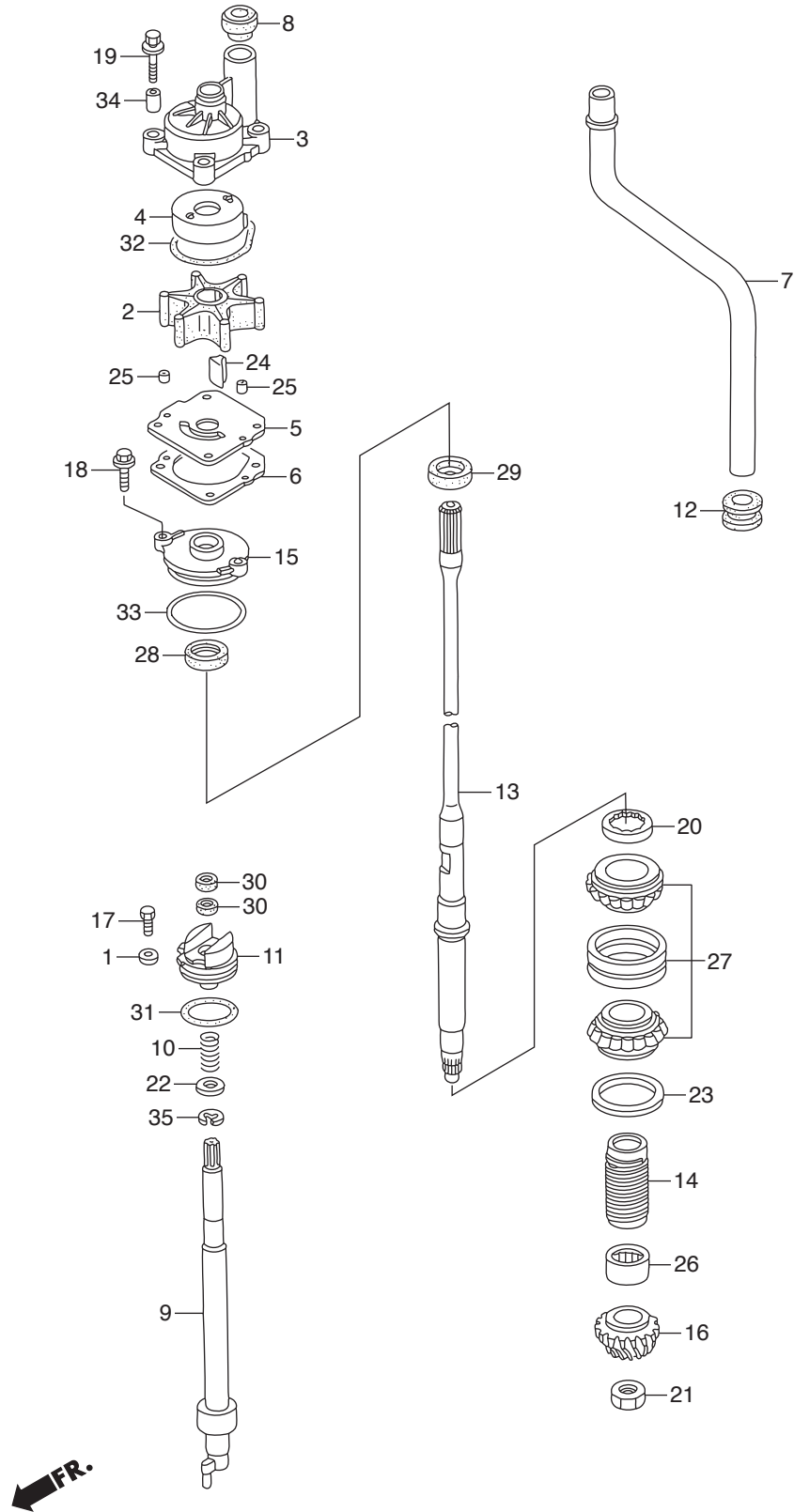
Ref.No.	Part No.	Description	Q' ty	Remarks	
			BFT115A		
F-3	1	HZW1-19286-B00	PLATE, RUBBER SETTING	1	
F-3	2	HKM3-32161-003	BAND, WIRE	2	
F-3	3	HZY6-41101-020ZC	CASE, GEAR	1	*T107* BAY BLUE
F-3	4	HZW1-41102-B00	GROMMET, GEAR CASE	1	
F-3					
F-3	6	HZY6-41104-010	SCREEN, R. WATER	1	
F-3	7	HZY6-41105-010	SCREEN, L. WATER	1	
F-3	8	HZX2-41107-C00ZC	TAB, TRIM	1	*T107* BAY BLUE
F-3	9	HZW1-41109-B00	METAL COMP., ANODE	2	
F-3	10	HZV5-41171-000	END, NIPPLE	1	
F-3	11	HZV5-41172-000	NIPPLE, SENSOR	1	
F-3	12	HZW9-90101-003	BOLT, OIL CHECK	1	
F-3	13	HZY6-90103-000	BOLT-WASHER, 10X32	1	
F-3	14	HZY3-90120-000	BOLT, DRAIN PLUG	1	
F-3	15	HZY6-90123-000	BOLT-WASHER, 10X40	7	
F-3	16	HZY1-90205-000	NUT, SELF-LOCK, 6MM	1	
F-3	17	HZV4-90302-000	NUT, SELF-LOCK, 5MM	1	
F-3	18	HZV5-90756-000	DOWEL PIN, 6X10	2	
F-3	19	HZW4-91301-003	O-RING, 6.9X1.45	2	
F-3	20	HCO-92101-06050-4J	BOLT, HEX., 6X50	1	
F-3	21	HCO-93700-05050-4J	SCREW, OVAL, 5X50	1	
F-3	22	HCO-95005-50140-30	TUBE, 5X140	1	(HC-95005-50001-30M) LD,LU
F-3		HCO-95005-50270-30	TUBE, 5X270	1	(HC-95005-50001-30M) XU

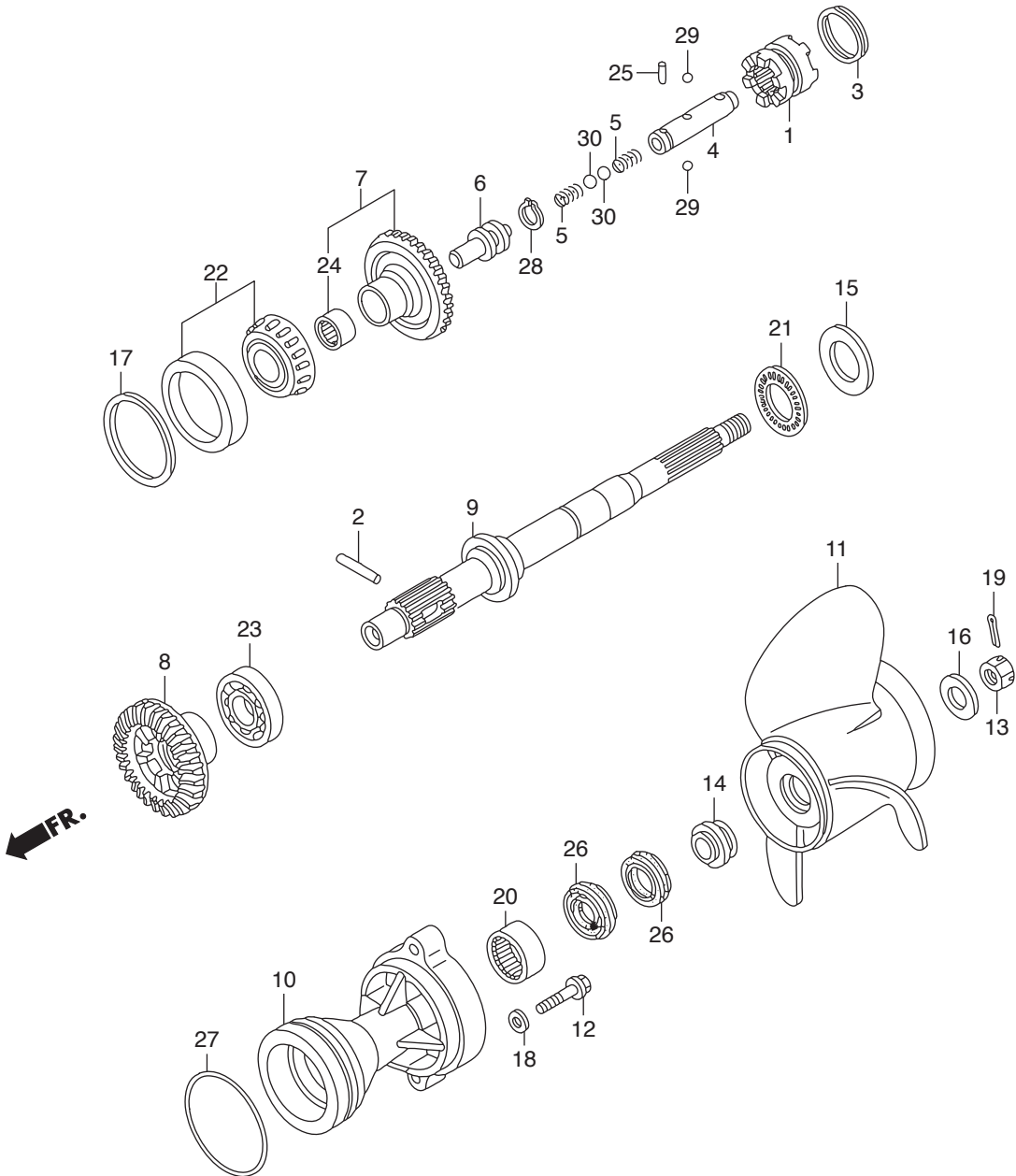




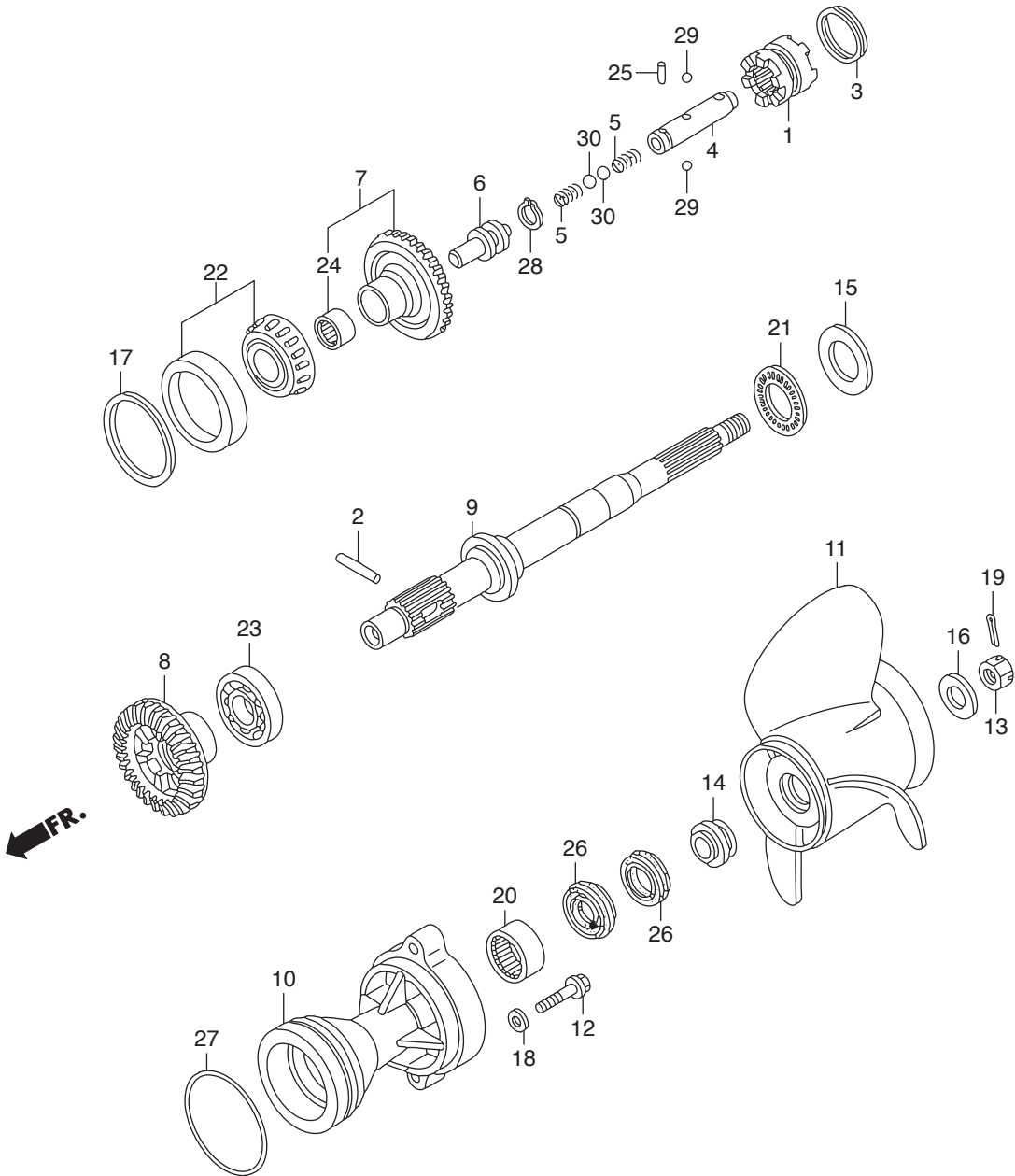


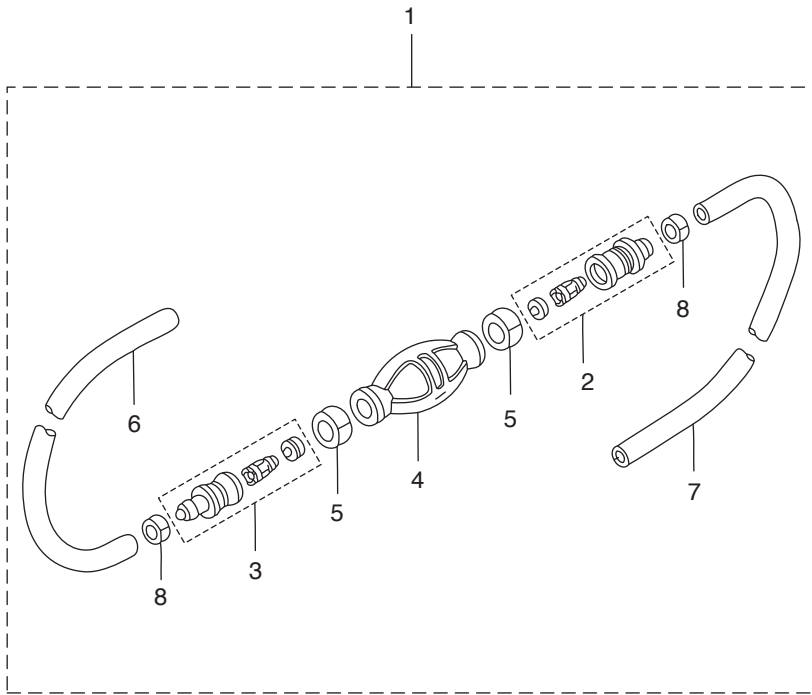
Ref.No.	Part No.	Description	Q' ty	Remarks	
			BFT115A		
F-4	1	H921-17936-000	WASHER, PIVOT	1	
F-4	2	HZW1-19210-B04	IMPELLER, PUMP	1	
F-4	3	HZY6-19221-A00	HOUSING, IMPELLER	1	
F-4	4	HZW1-19223-B00	LINER, PUMP	1	
F-4	5	HZY6-19231-000	COVER, IMPELLER	1	
F-4	6	HZY6-19234-000	GASKET B, IMPELLER	1	
F-4	7	HZY6-19251-000	TUBE, WATER(L)	1	LD,LU
F-4		HZY6-19251-611	TUBE, WATER(XL)	1	XU
F-4	8	HZW1-19253-B01	RING, WATER TUBE SEAL	1	
F-4	9	HZY6-24310-000	ROD COMP., SHIFT	1	
F-4					
F-4	10	HZY3-24318-000	SPRING, SHIFT ROD	1	
F-4	11	HZY6-24343-000	HOLDER, SHIFT ROD	1	
F-4	12	HZW1-40204-000	GROMMET, EXTENSION CASE	1	
F-4	13	HZY6-41112-010	SHAFT, VERTICAL(L)	1	LD,LU
F-4		HZY6-41112-611	SHAFT, VERTICAL(XL)	1	XU
F-4	14	HZW1-41116-B00	SLINGER, OIL	1	
F-4	15	HZZ3-41117-000	HOUSING, WATER SEAL	1	
F-4	16	HZY6-41131-000	GEAR, PINION	1	
F-4	17	H881-90105-000	BOLT, HEX., 6X12	1	
F-4	18	HZW9-90105-000	BOLT, FLANGE, 6X20	2	
F-4	19	HZY6-90116-000	BOLT-WASHER, 8X40	4	
F-4	20	HZW1-90242-000	NUT, LOCK, 64MM	1	
F-4	21	HZW5-90303-000	NUT, HEX., 18MM	1	
F-4	22	H723-90472-000	WASHER, PLAIN, 12MM	1	
F-4	23	HZW1-90518-B00	SHIM A, GEAR(0.10)	1	
F-4		HZW1-90519-B00	SHIM B, GEAR(0.15)	1	
F-4		HZW1-90520-B00	SHIM C, GEAR(0.30)	1	
F-4		HZW1-90521-B00	SHIM D, GEAR(0.50)	1	

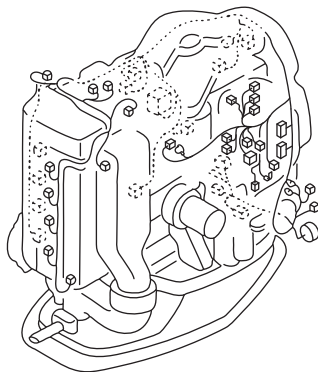
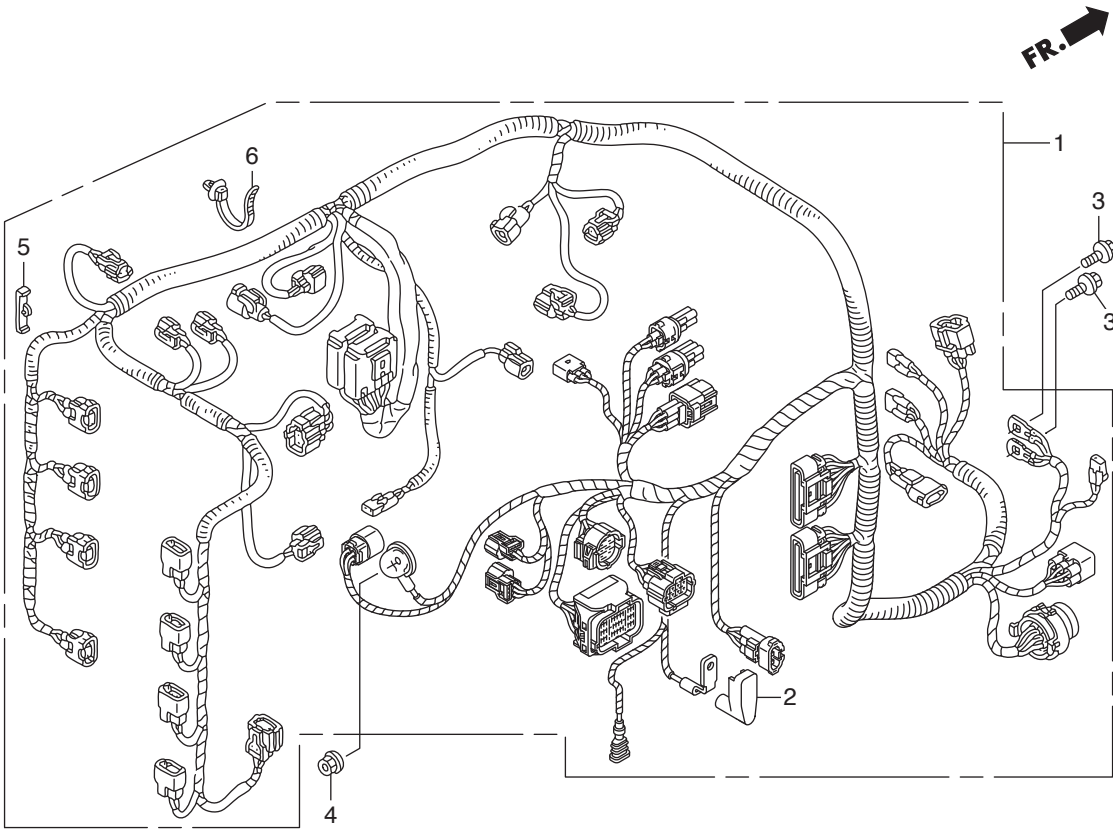


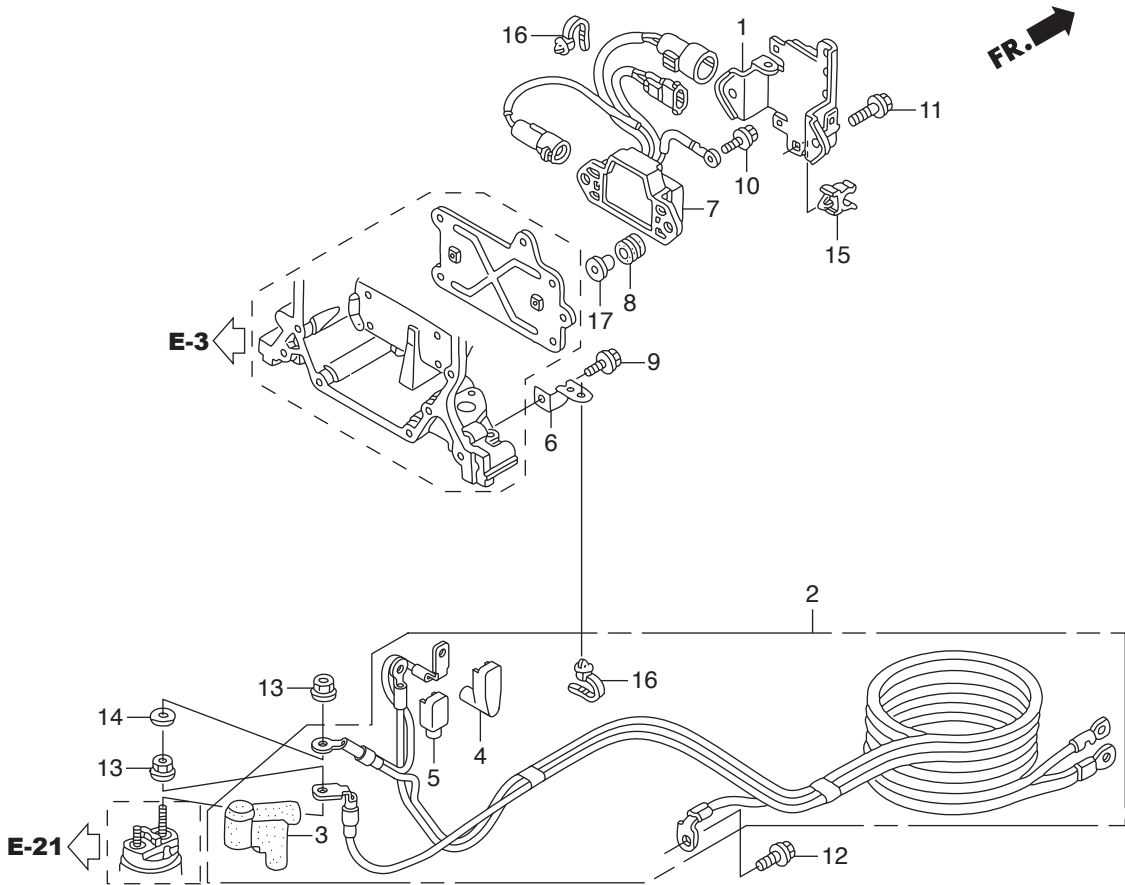


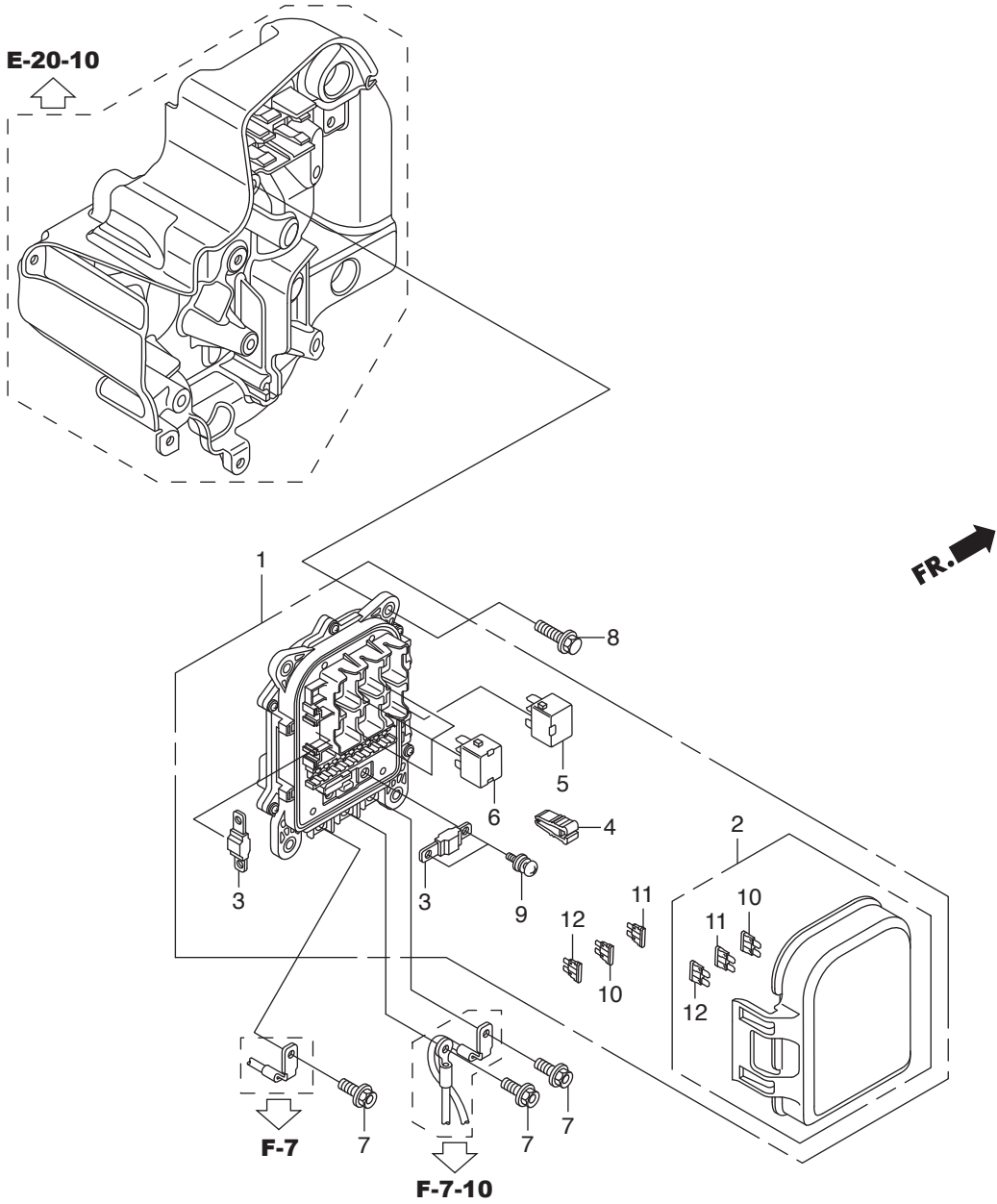
Ref.No.	Part No.	Description	Q' ty	Remarks	
			BFT115A		
F-5	1	HZY6-24101-000	SHIFTER, CLUTCH	1	
F-5	2	HZW1-24102-B00	PIN, SHIFTER, 8X47	1	
F-5	3	HZW1-24103-B00	RING, CROSS PIN	1	
F-5	4	HZY6-24122-000	SLIDER, SHIFT	1	
F-5	5	HZY6-24123-000	SPRING, SHIFT	2	
F-5	6	HZY6-24124-000	PLATE, SHIFT	1	
F-5	7	HZY6-41140-000	GEAR COMP., BEVEL(FORWARD 30T)	1	
F-5	8	HZY6-41151-000	GEAR, BEVEL(RVS. 30T)	1	
F-5	9	HZY6-41161-000	SHAFT, PROPELLER	1	
F-5	10	HZY6-41201-000ZC	HOLDER, PROPELLER SHAFT	1	*T107* BAY BLUE
F-5	11	HZY3-58130-T00	PROPELLER COMP., THREE BLADES	1	(14-1/2X15)(SUS)
F-5		HZY3-58130-T10	PROPELLER COMP., THREE BLADES	1	(14-1/4X17)(SUS)
F-5		HZY3-58130-T20	PROPELLER COMP., THREE BLADES	1	(14X19)(SUS)
F-5		HZY3-58130-T30	PROPELLER COMP., THREE BLADES	1	(14X21)(SUS)
F-5		HZY3-58130-T40	PROPELLER COMP., THREE BLADES	1	(14-1/2X23)(SUS)
F-5		HZY3-58130-T50	PROPELLER COMP., THREE BLADES	1	(14X25)(SUS)
F-5		HZY3-58130-V01ZA	PROPELLER COMP., THREE BLADES	1	(15-1/2X13)(AL) *NH283* STIN GRAY
F-5		HZY3-58130-V11ZA	PROPELLER COMP., THREE BLADES	1	(15-1/4X15)(AL) *NH283* STIN GRAY
F-5		HZY3-58130-V21ZA	PROPELLER COMP., THREE BLADES	1	(15X17)(AL) *NH283* STIN GRAY
F-5		HZY3-58130-V31ZA	PROPELLER COMP., THREE BLADES	1	(14-3/4X19)(AL) *NH283* STIN GRAY
F-5		HZY3-58130-V41ZA	PROPELLER COMP., THREE BLADES	1	(14-1/2X21)(AL) *NH283* STIN GRAY
F-5		HZY3-58130-V51ZA	PROPELLER COMP., THREE BLADES	1	(14-1/4X23)(AL) *NH283* STIN GRAY
F-5	12	HZY6-90104-000	BOLT, FLANGE, 10X40	2	
F-5	13	HZW1-90301-B00	NUT, CASTLE, 18MM	1	
F-5	14	HZY3-90506-000	WASHER, PROPELLER THRUST	1	
F-5	15	HZW5-90509-711	WASHER, THRUST BEARING	1	
F-5	16	HZY3-90512-000	WASHER, PROPELLER	1	
F-5	17	HZY3-90528-000	SHIM A, BEVEL(0.10)	1	
F-5		HZY3-90529-000	SHIM B, BEVEL(0.15)	1	



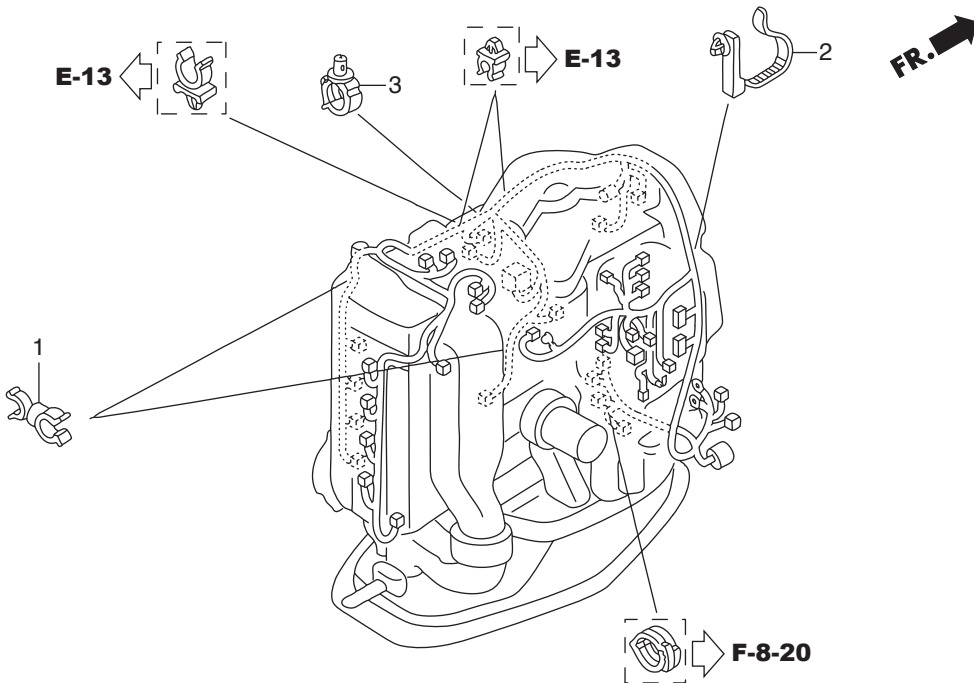


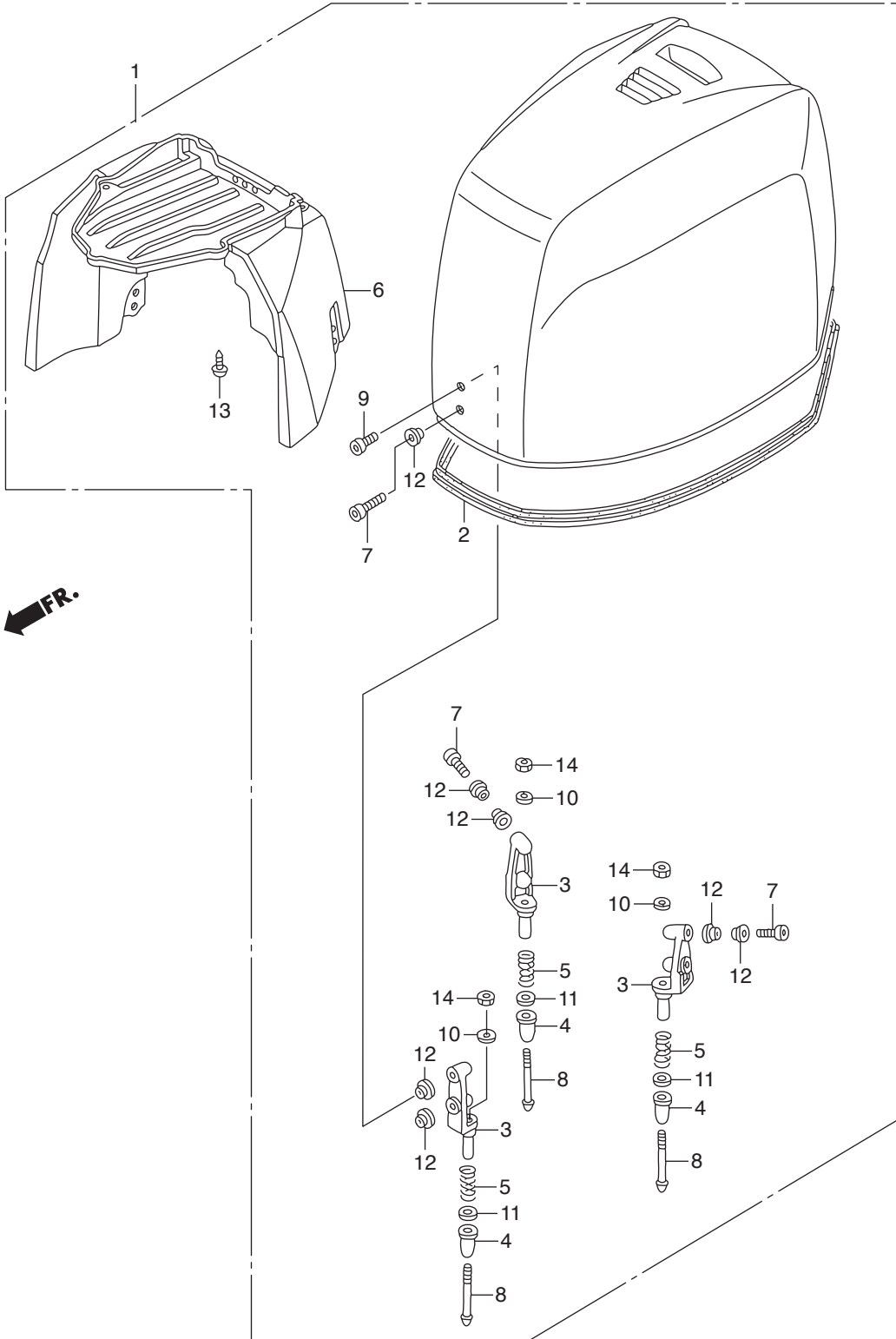


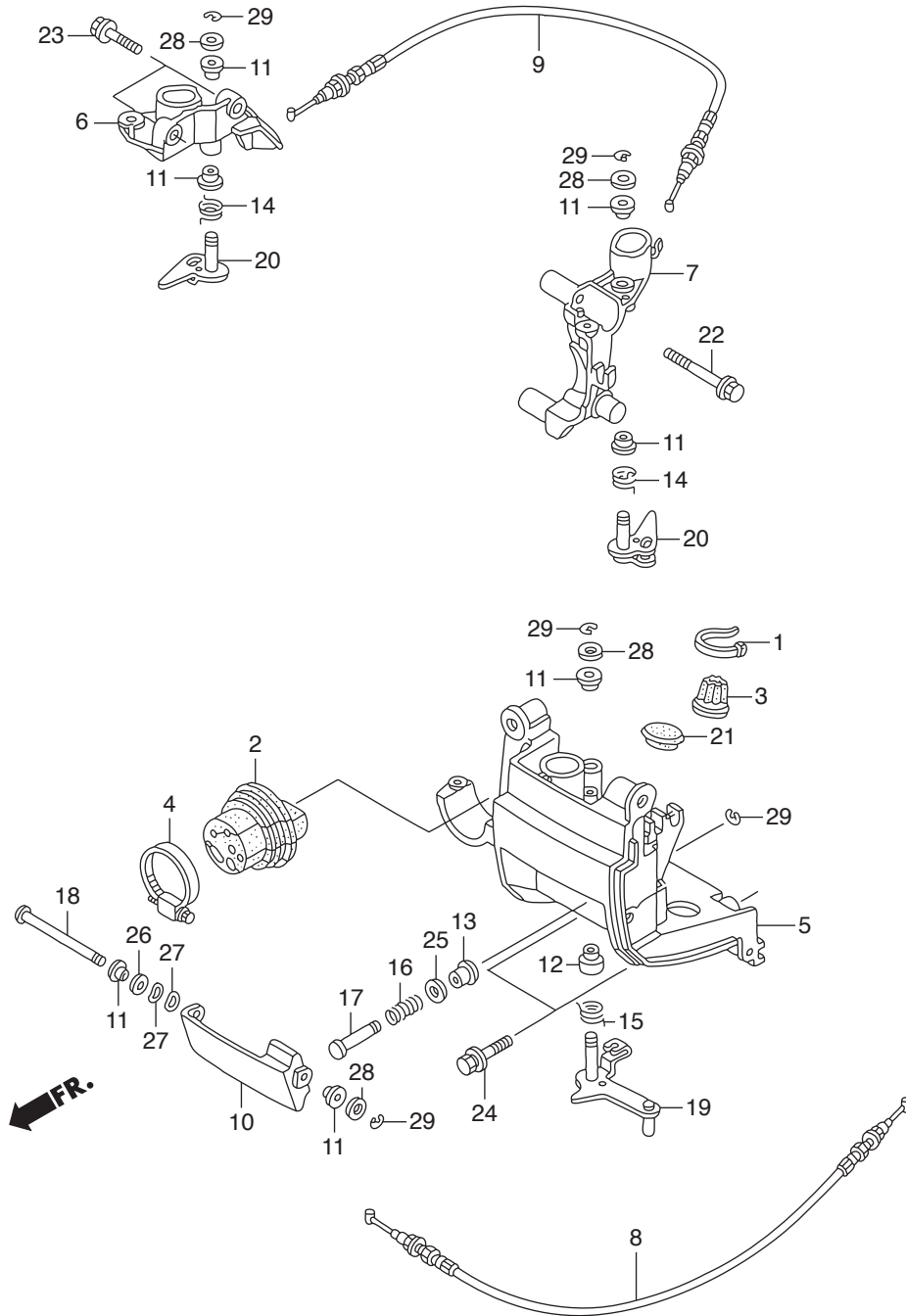




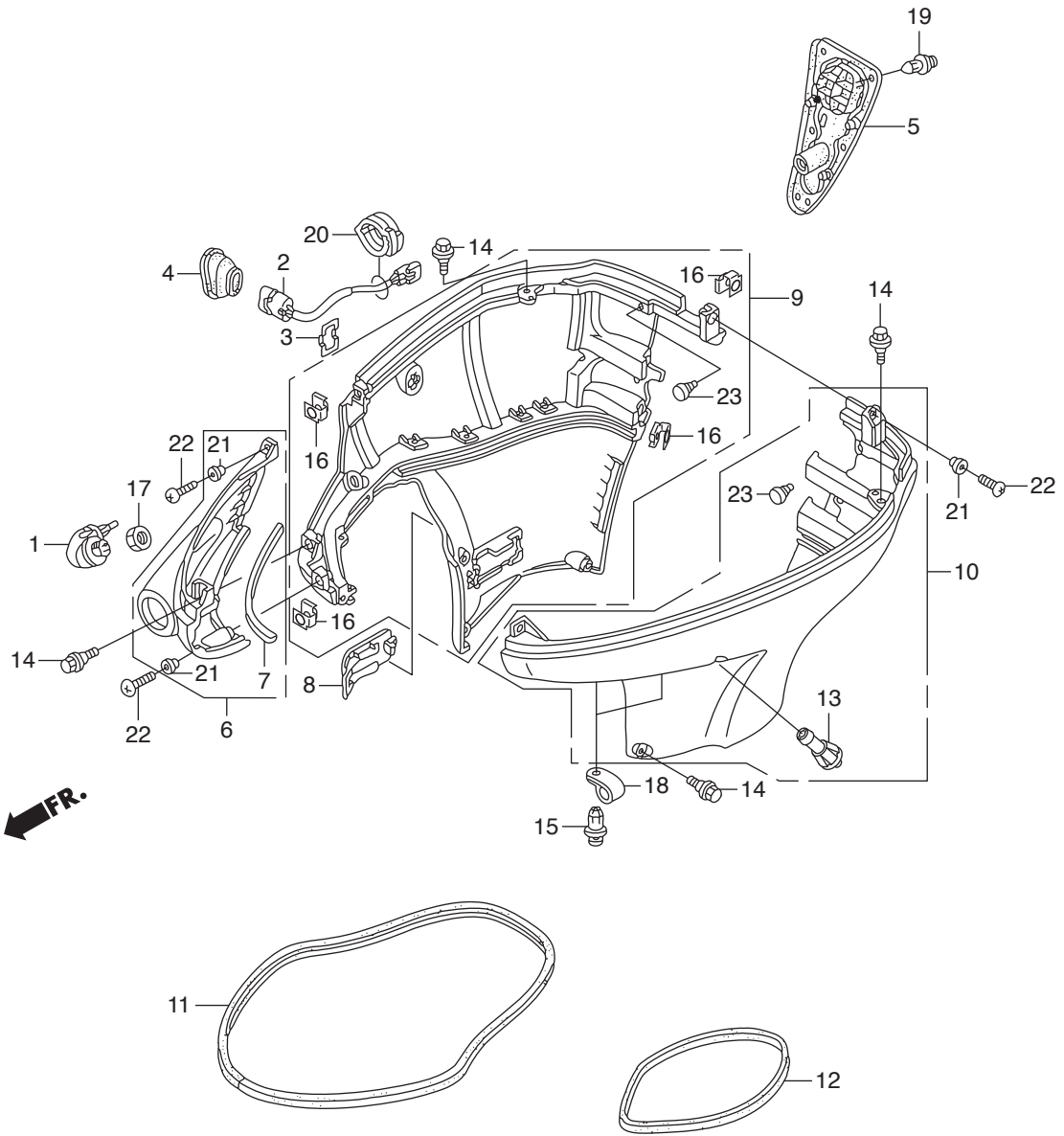
Ref.No.	Part No.	Description	Q' ty	Remarks	
			BFT115A		
F-7-20	1	HZY6-32370-004	BOX ASSY., JUNCTION	1	
F-7-20					
F-7-20					
F-7-20					
F-7-20	2	HZY6-32371-004	COVER COMP., FUSE	1	
F-7-20					
F-7-20					
F-7-20					
F-7-20	3	HZY6-38228-003	FUSE, BLOCK 100A(L TYPE)	2	
F-7-20	4	HZY6-38235-004	PULLER, MINI FUSE	1	
F-7-20					
F-7-20					
F-7-20					
F-7-20	5	HSDA-39794-004	RELAY ASSY., FUEL PUMP(DENSO)	1	
F-7-20	6	HZY6-39794-003	RELAY ASSY., POWER(12V-20A)	3	(MICRO ISO 4P)
F-7-20	7	HZW9-90013-000	BOLT, FLANGE, 6X12	3	
F-7-20	8	HZW5-90018-000	BOLT, FLANGE, 6X20	4	
F-7-20	9	HZY6-90135-004	SCREW-WASHER, 5X15	2	
F-7-20					
F-7-20					
F-7-20					
F-7-20	10	HCO-98200-41000	FUSE, MINI(10A)	4	
F-7-20	11	HCO-98200-41500	FUSE, MINI(15A)	3	
F-7-20	12	HCO-98200-43000	FUSE, MINI(30A)	3	



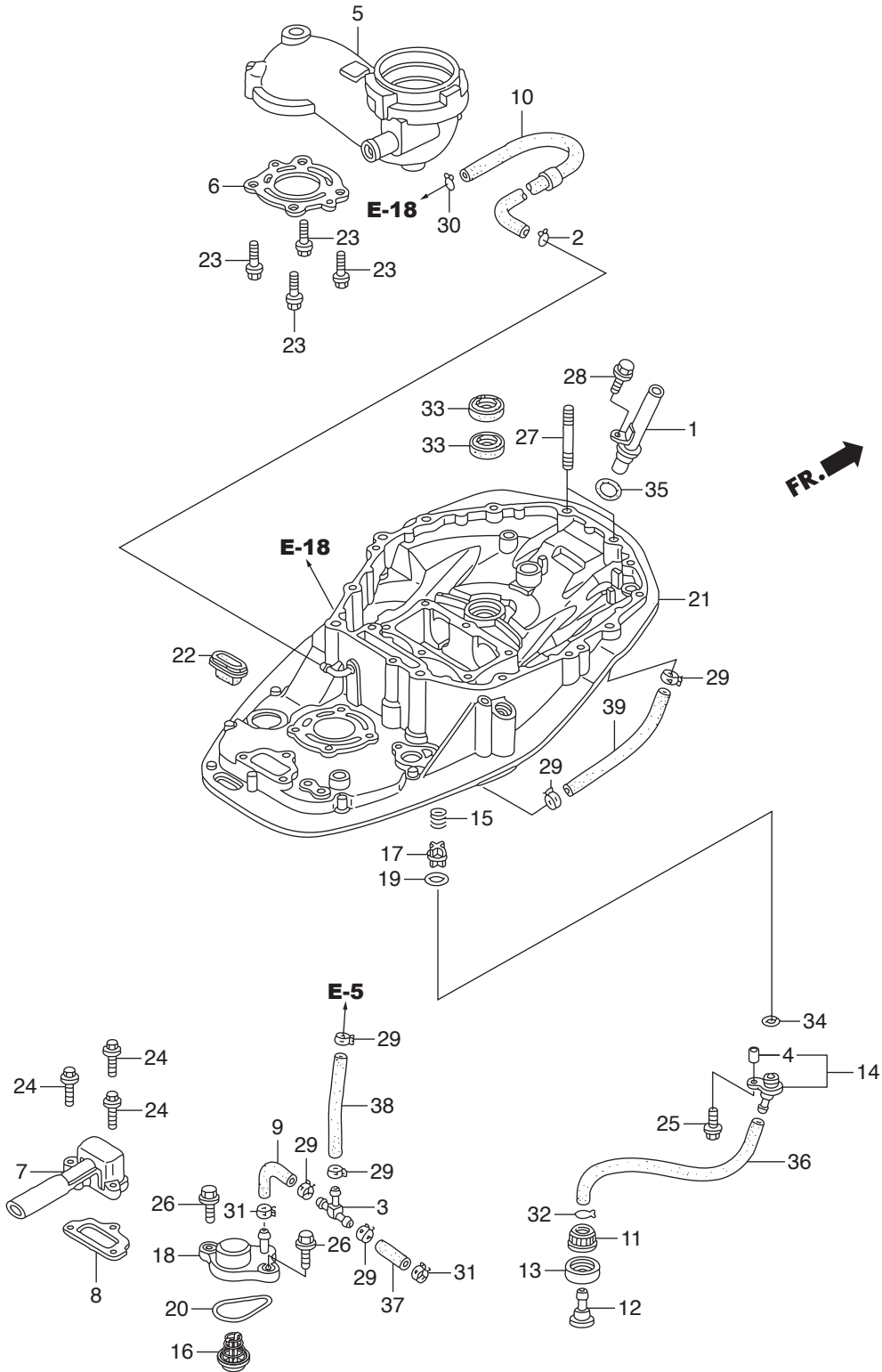




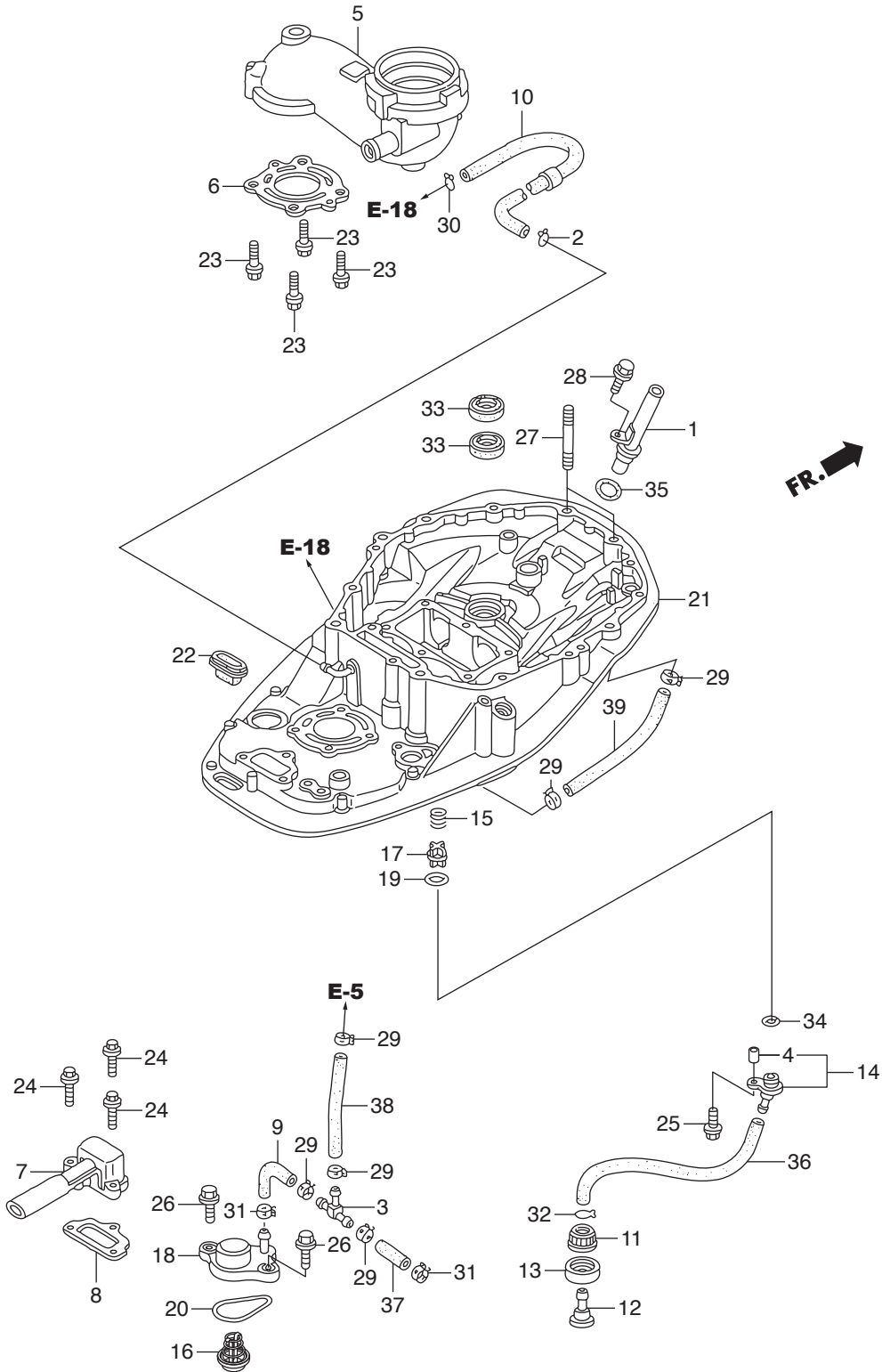
Ref.No.	Part No.	Description	Q' ty	Remarks	
			BFT115A		
F-8-10	1	HMG9-35701-950	BAND(BLACK 3.5X140)	1	
F-8-10	2	HZY6-40105-020	GROMMET, REMOTE CONTROL CABLE	1	
F-8-10	3	HZW1-40107-700	GROMMET, UNDER CASE(C)	1	
F-8-10	4	HZY3-40119-003	BAND, UNDER CASE GROMMET	1	
F-8-10	5	HZY6-40154-000ZC	BRACKET, FR. UNDER COVER	1	*T107* BAY BLUE
F-8-10	6	HZY6-40155-000	BRACKET, R. SIDE COVER	1	
F-8-10	7	HZY6-40157-000	BRACKET, L. SIDE COVER	1	
F-8-10	8	HZY6-60180-003	CABLE COMP. A, COVER LOCK	1	
F-8-10	9	HZY6-60185-003	CABLE COMP. B, COVER LOCK	1	
F-8-10	10	HZY3-63201-000ZC	LEVER, COVER LOCK	1	*T107* BAY BLUE
F-8-10	11	HZY3-63205-000	BUSH A, COVER LOCK	7	
F-8-10	12	HZY6-63205-000	BUSH A, COVER LOCK	1	
F-8-10	13	HZY3-63208-000	BUSH B, COVER LOCK	1	
F-8-10	14	HZY3-63212-000	SPRING, COVER LOCK HOOK	2	
F-8-10	15	HZY6-63212-000	SPRING, COVER LOCK HOOK	1	
F-8-10	16	HZY6-63223-000	SPRING, LOCK LEVER RETURN	1	
F-8-10	17	HZY3-63224-000	SHAFT, COVER OPEN	1	
F-8-10	18	HZY6-63225-000	SHAFT, FR. LOCK	1	
F-8-10	19	HZY6-63240-000	LOCK COMP., FR.	1	
F-8-10	20	HZY3-63260-000	LOCK COMP., SIDE	2	
F-8-10	21	HZC0-63515-700	CAP, L. SIDE COVER	1	
F-8-10	22	HZY6-90001-000	BOLT, FLANGE, 8X55	2	
F-8-10	23	HZY3-90030-000	BOLT, FLANGE, 6X22	2	
F-8-10	24	HZY6-90105-000	BOLT-WASHER, 8X30	2	
F-8-10	25	HMM8-90501-610	WASHER, PLAIN, 8MM	1	
F-8-10	26	HMM8-90502-610	WASHER, PLAIN, 10MM	1	
F-8-10	27	HZW9-90506-000	WASHER, WAVE, 10MM	2	
F-8-10	28	H921-90518-000	WASHER, PLAIN, 8MM	4	
F-8-10	29	HCO-94540-06029	E-RING, 6MM	5	

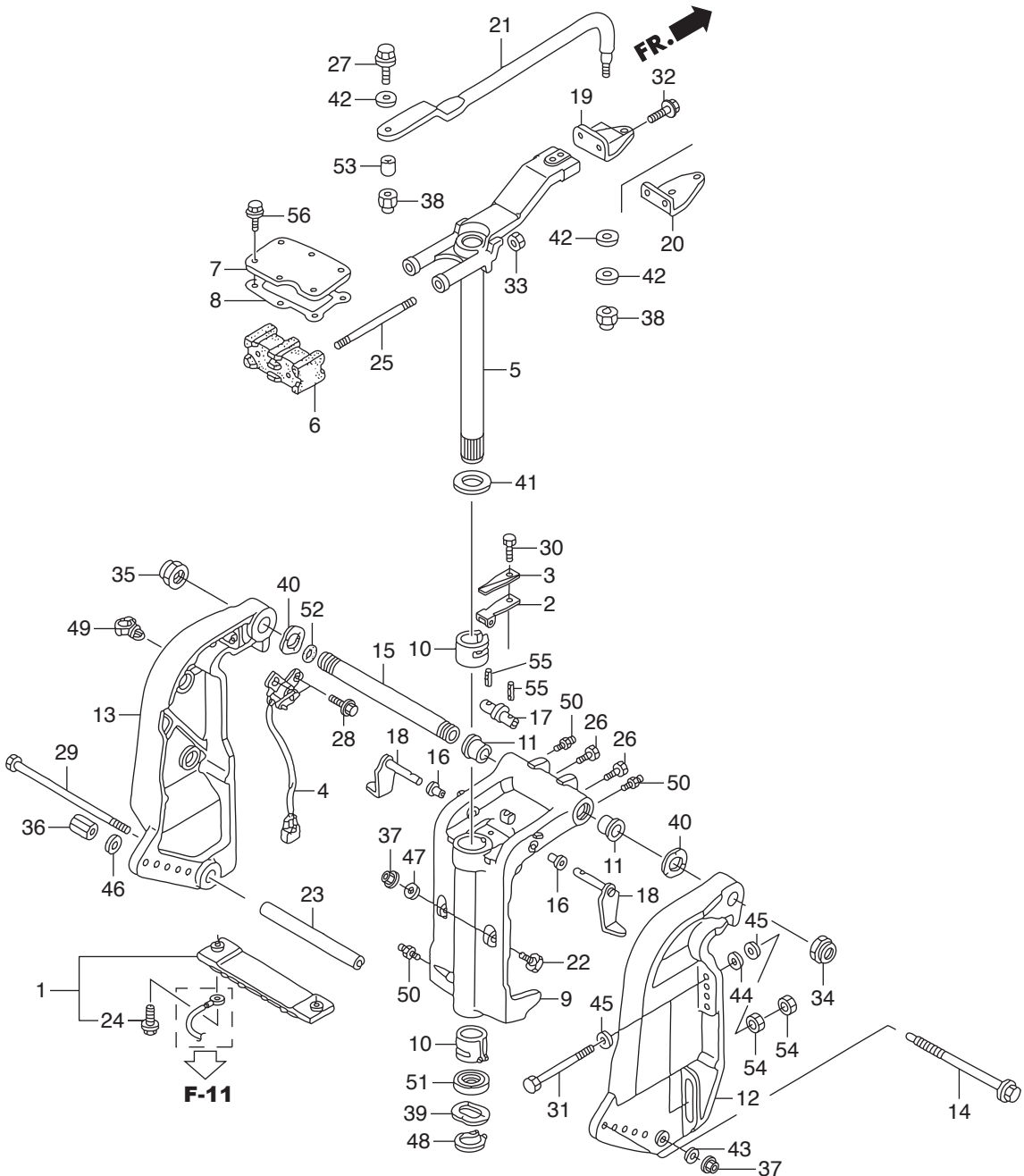


Ref.No.	Part No.	Description	Q' ty	Remarks	
			BFT115A		
F-8-20	1	HZY6-19289-000	CAP, WATER JOINT	1	
F-8-20	2	HZY6-35640-003	SWITCH ASSY., POWER TILT	1	
F-8-20	3	HZY3-35645-000	STAY, POWER TILT SWITCH	1	
F-8-20	4	HZY6-40114-010	GROMMET, POWER TILT SWITCH	1	
F-8-20	5	HZY6-40116-000	GROMMET, UNDER COVER	1	
F-8-20	6	HZY6-40151-010ZD	COVER, FR. SEPARATE	1	*T107* BAY BLUE
F-8-20	7	HZY6-40152-300	SEAL, FR. SEPARATE COVER	1	
F-8-20	8	HZY6-40212-020ZC	COVER, DRAIN PLUG	1	*T107* BAY BLUE
F-8-20	9	HZY6-63711-010ZC	COVER, R. ENGINE UNDER	1	*T107* BAY BLUE
F-8-20	10	HZY6-63716-010ZC	COVER, L. ENGINE UNDER	1	*T107* BAY BLUE
F-8-20	11	HZY6-63718-000	SEAL A, COVER UNDER	1	
F-8-20	12	HZY6-63719-000	SEAL B, COVER UNDER	1	
F-8-20	13	HZY6-82873-000	GROMMET, WATER CHECK	1	
F-8-20	14	HZY3-90111-000	BOLT, SPECIAL, 6X17	12	
F-8-20	15	HZV5-90127-003	SCREW, RIVET, 5X10	2	
F-8-20	16	HZY6-90301-000	NUT, CLIP	6	
F-8-20	17	H921-90302-000	NUT, HEX., 16MM	1	
F-8-20	18	HZB5-90626-730	CLIP(10.7MM)	2	
F-8-20	19	HHC4-90653-900	CLIP, MUDGUARD	6	
F-8-20	20	HKJ2-90683-003	CLIP, WIRE HARNESS	1	
F-8-20	21	HZY6-91553-000	COLLAR, DISTANCE, 6.5X9X5	6	
F-8-20	22	HCO-93500-06025-4J	SCREW, PAN, 6X25	6	
F-8-20	23	HCO-95011-62000	RUBBER B, STAND STOPPER	2	

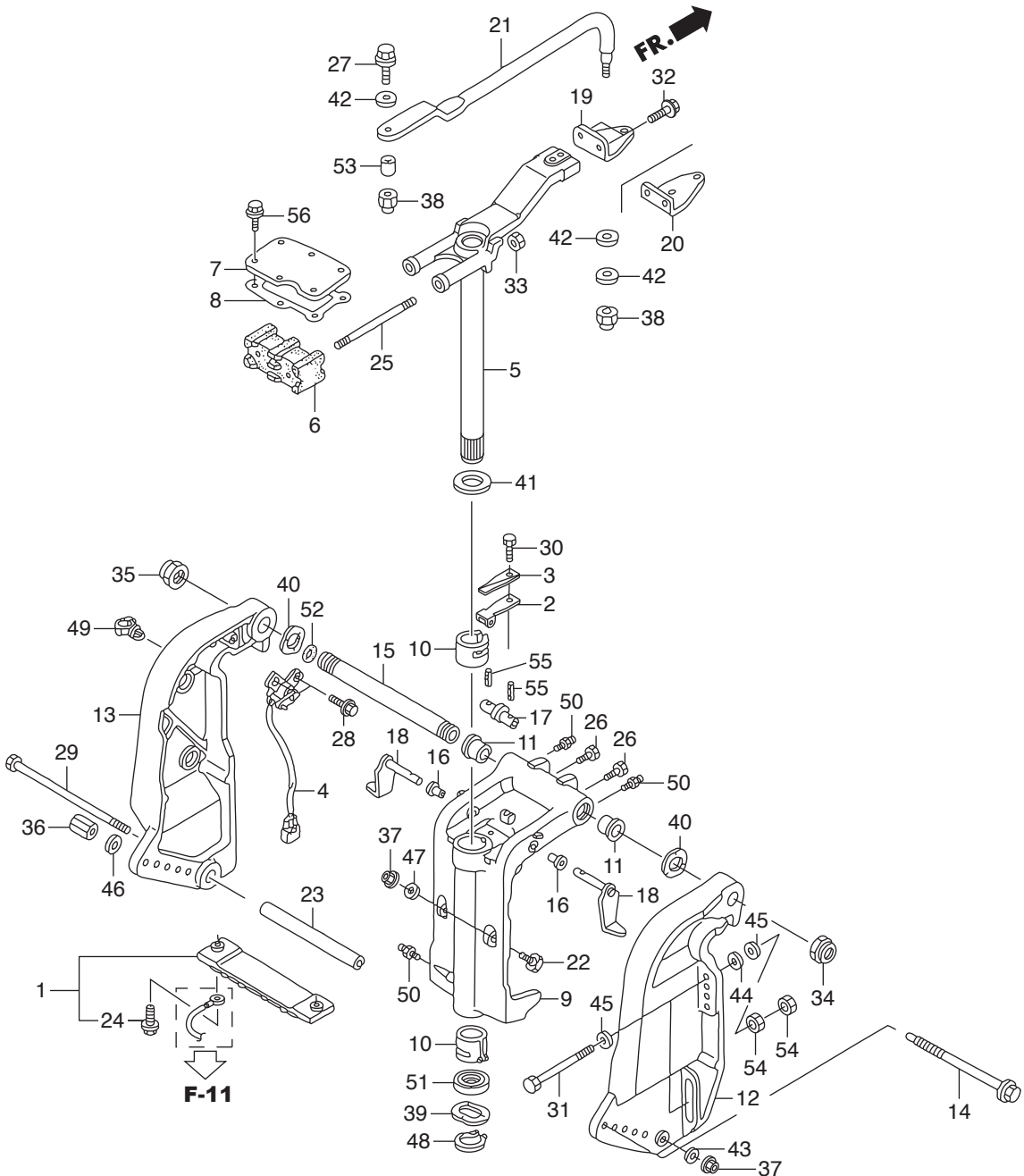


Ref.No.	Part No.	Description	Q' ty	Remarks	
			BFT115A		
F-9	1	HZW1-15665-020	PIPE COMP., OIL LEVEL	1	
F-9	2	HGHB-16163-610	CLIP, TUBE	1	
F-9	3	HMN5-17195-000	T-JOINT	1	
F-9	4	HZV5-17202-310	COLLAR, DISTANCE, 6.5X11X7.5	1	
F-9	5	HZY6-18130-000ZA	GUIDE COMP., EX.	1	*NH8* DARK GRAY
F-9	6	HZY6-18135-003	GASKET, EX. GUIDE	1	
F-9	7	HZY6-18211-000	PORT, IDLE EXHAUST	1	
F-9	8	HZY6-18212-000	GASKET, IDLE EX. PORT	1	
F-9	9	HZY6-19256-000	TUBE, WATER RELIEF	1	
F-9	10	HZY6-19267-010	TUBE F, WATER	1	
F-9	11	HZY3-19270-000	NUT, WATER MOUTH	1	
F-9	12	HZY3-19271-000	JOINT, WATER HOSE	1	
F-9	13	HZY3-19272-000	SEAT, WATER MOUTH	1	
F-9	14	HZZ3-19277-000	COVER, FLUSH VALVE	1	
F-9	15	HZW9-19279-000	SPRING, FLUSH VALVE	1	
F-9	16	HZY6-19290-003	VALVE ASSY., RELIEF	1	
F-9	17	HZW9-19291-000	VALVE, FLASH	1	
F-9	18	HZY6-19295-000	COVER, RELIEF VALVE	1	
F-9	19	HZW9-19297-000	PACKING, FLASH VALVE	1	
F-9	20	HZW9-19317-000	O-RING, THERMOSTAT COVER	1	
F-9	21	HZY6-23170-000ZA	CASE COMP., MOUNT	1	*NH8* DARK GRAY
F-9	22	HZY3-23173-010	RUBBER, MOUNT CASE SEAL	1	
F-9	23	HZY6-90014-000	BOLT, FLANGE, 8X30	4	
F-9	24	HZW9-90016-000	BOLT, FLANGE, 6X25	3	
F-9	25	HZY3-90017-000	BOLT, FLANGE, 6X16	1	
F-9	26	HZY3-90030-000	BOLT, FLANGE, 6X22	2	
F-9	27	HZY6-90045-000	BOLT, STUD, 10X55	2	
F-9	28	HZY3-90056-000	BOLT, FLANGE, 6X12	1	
F-9	29	HZY3-90601-030	CLAMP, TUBE(D10.5)	6	

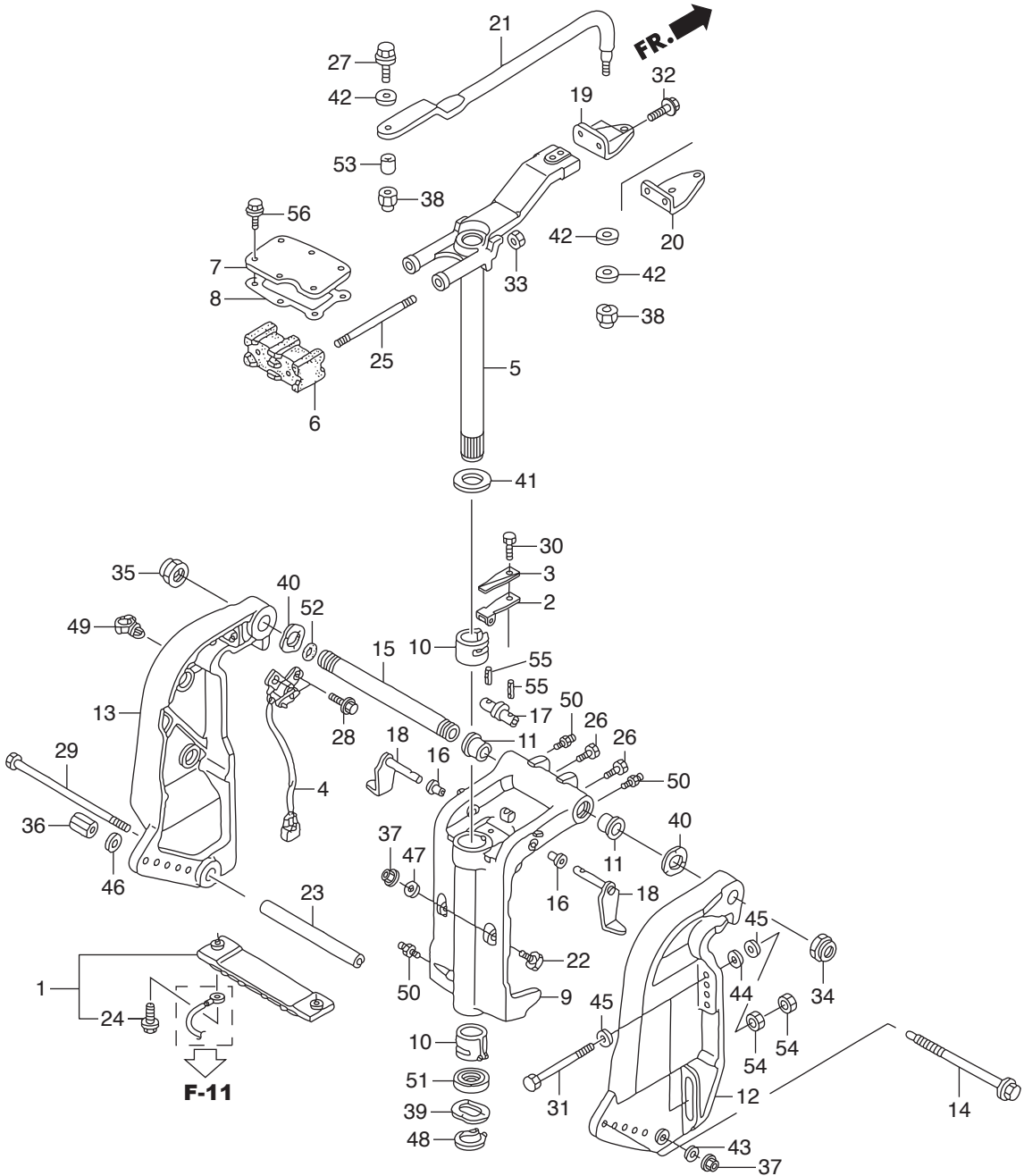


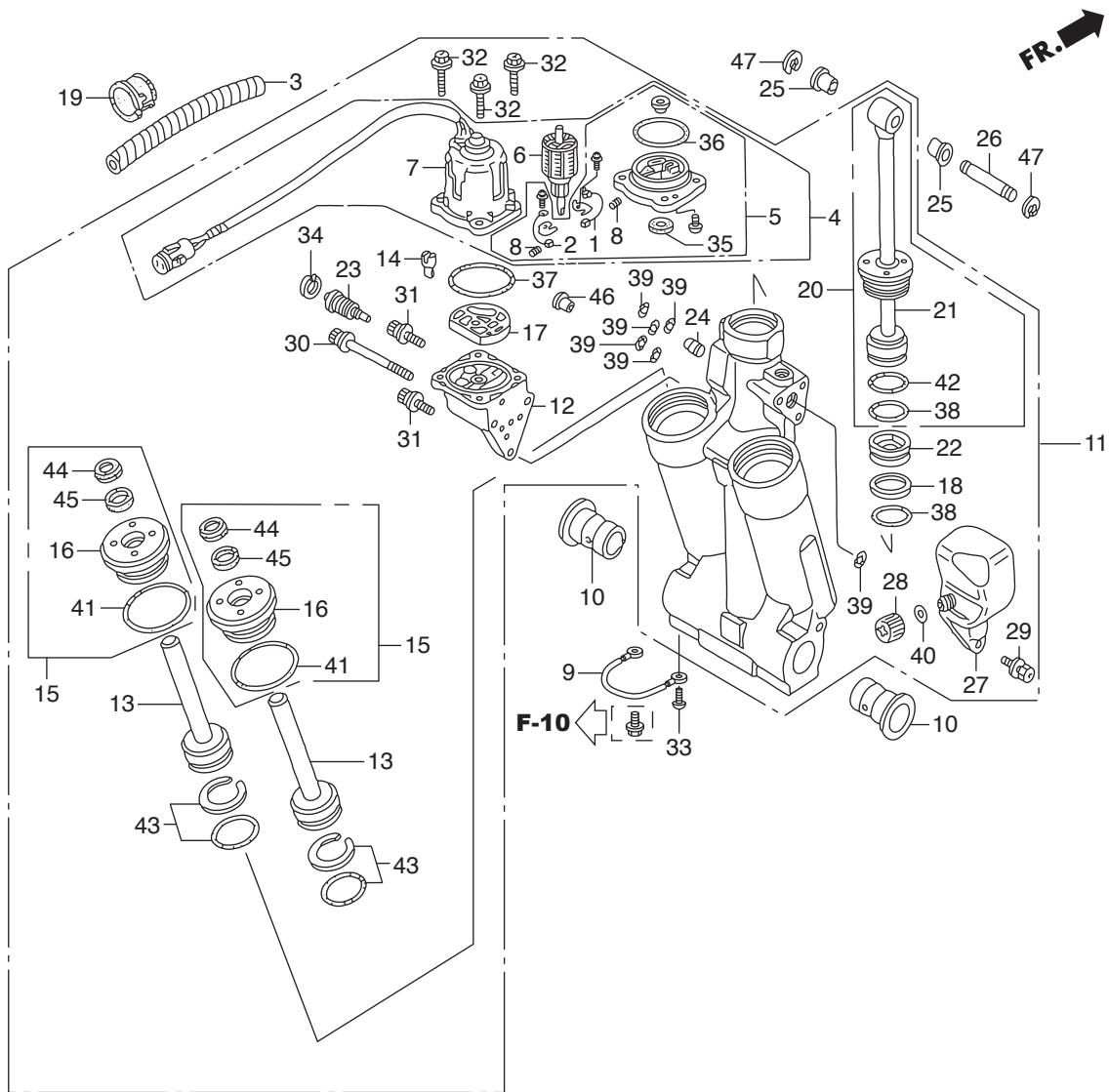


Ref.No.	Part No.	Description	Q' ty	Remarks	
			BFT115A		
F-10	1	HZW1-06411-020	METAL KIT, ANODE	1	
F-10	2	HZV1-24210-010	SPRING COMP., CLICK	1	
F-10	3	HZV4-24221-010	SPRING, CLICK ASSIST	1	
F-10	4	HZY6-35660-013	SENSOR ASSY., TRIM ANGLE	1	
F-10	5	HZX1-50100-000	FRAME COMP., MOUNTING	1	
F-10	6	HZW5-50151-000	MOUNT COMP., UPPER RUBBER	1	
F-10	7	HZY6-50167-000	HOLDER, UPPER MOUNTING	1	
F-10	8	HZY6-50168-003	GASKET, UPPER MOUNTING HOLDER	1	
F-10	9	HZW1-50201-040ZC	CASE, SWIVEL	1	*T107* BAY BLUE
F-10	10	HZZ5-50211-000	LINER, SWIVEL CASE	2	
F-10	11	HZW1-50214-000	BUSH, SWIVEL CASE	2	
F-10	12	HZW1-50301-070ZC	BRACKET, R. STERN	1	*T107* BAY BLUE
F-10	13	HZW1-50311-070ZC	BRACKET, L. STERN	1	*T107* BAY BLUE
F-10	14	HZW5-50341-010	ROD, ADJUSTING	1	
F-10	15	HZY9-50381-000	SHAFT, TILTING	1	
F-10	16	HZV5-50522-000	BUSH, TILT ARM	2	
F-10	17	HZW1-50527-000	BRACKET, TILTING	1	
F-10	18	HZW1-50529-000	STOPPER, TILT	2	
F-10	19	HZW1-53234-010	PLATE, STEERING	1	
F-10	20	HZW5-53234-010	PLATE, STEERING	1	
F-10	21	HZW1-53238-010	ROD, STEERING	1	
F-10	22	HZW1-56516-000	RECEIVER, THRUST	2	
F-10	23	HZW1-56539-000	COLLAR, LOWER CYLINDER	1	
F-10	24	HZW9-90009-000	BOLT, FLANGE, 6X23	2	
F-10	25	HZW5-90101-000	BOLT, STUD, 12X150	2	
F-10	26	HZW1-90102-000	BOLT, 1/4-28UNF	2	
F-10	27	HZW1-90105-000	BOLT, 3/8-24UNF	1	
F-10	28	HZW9-90105-000	BOLT, FLANGE, 6X20	2	
F-10	29	HZW1-90108-000	BOLT, HEX., 10X235	1	

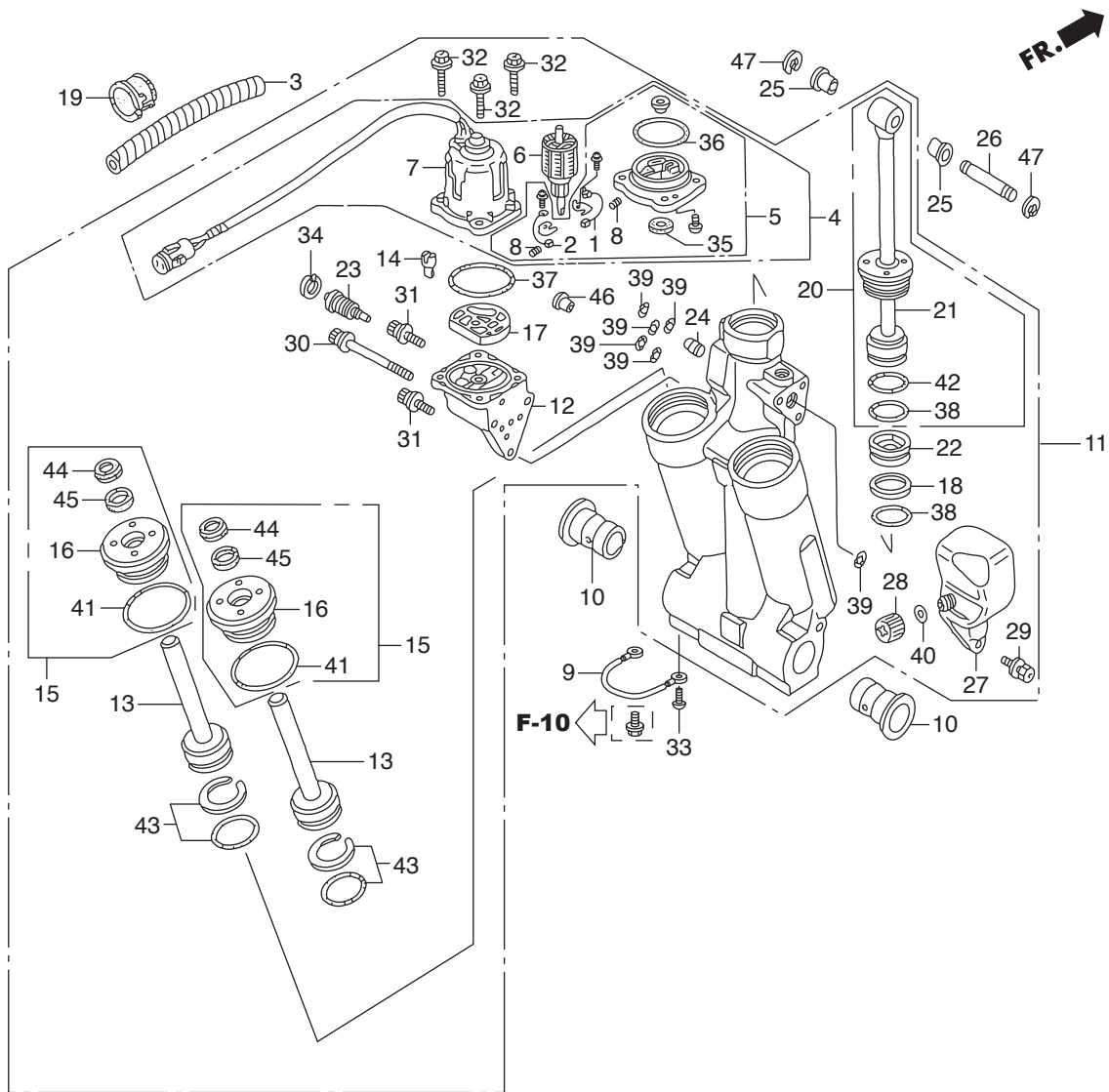


Ref.No.		Part No.	Description	Q' ty	Remarks
				BFT115A	
F-10	30	H881-90110-000	BOLT, HEX., 6X14	1	
F-10	31	HZZ3-90129-000	BOLT, HEX., 12X119	6	
F-10					
F-10		HZX2-90129-000	BOLT, HEX., 12X130	6	
F-10					
F-10	32	HZW9-90154-000	BOLT, FLANGE, 10X25	2	
F-10	33	HZW5-90302-003	NUT, FLANGE, 12MM	2	
F-10	34	HZV5-90304-013	NUT, SELF-LOCK(7/8-14UNF)	1	
F-10	35	HZW1-90304-013	NUT, SELF-LOCK(25X2.0)	1	
F-10	36	HZW5-90304-000	NUT, ADJUSTER ROD	1	
F-10	37	HZW4-90306-003	NUT, FLANGE, 10MM	3	
F-10	38	HZV5-90307-003	NUT, SELF-LOCK(3/8-24UNF)	2	
F-10	39	HZV5-90501-000	WASHER, WAVE, 40MM	1	
F-10	40	HZV5-90502-000	WASHER, WAVE, 26MM	2	
F-10	41	HZV5-90504-000	WASHER, THRUST, 34MM	1	
F-10	42	HZV4-90514-000	WASHER, 10MM	3	
F-10	43	H921-90511-000	WASHER, PLAIN, 10MM	1	
F-10	44	HZV5-90552-000	WASHER, PLAIN, 12MM	6	
F-10					
F-10					
F-10					
F-10	45	HZV5-90559-000	WASHER, PLAIN, 12MM	12	
F-10					
F-10					
F-10					
F-10	46	HZV5-90559-000	WASHER, PLAIN, 12MM	1	
F-10	47	HZV5-90563-000	WASHER, PLAIN, 10MM	2	
F-10	48	HZV5-90651-000	CIRCLIP, EXTERNAL, 39MM	1	
F-10	49	H763-90681-A01	CLIP, WIRE HARNESS	1	

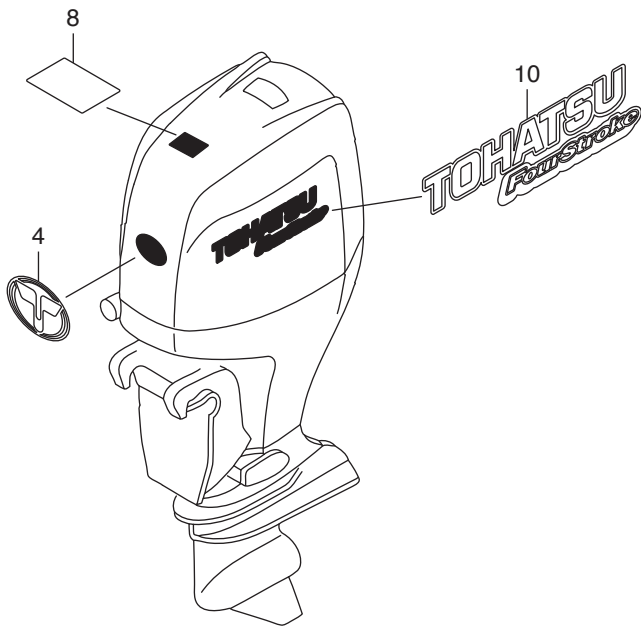
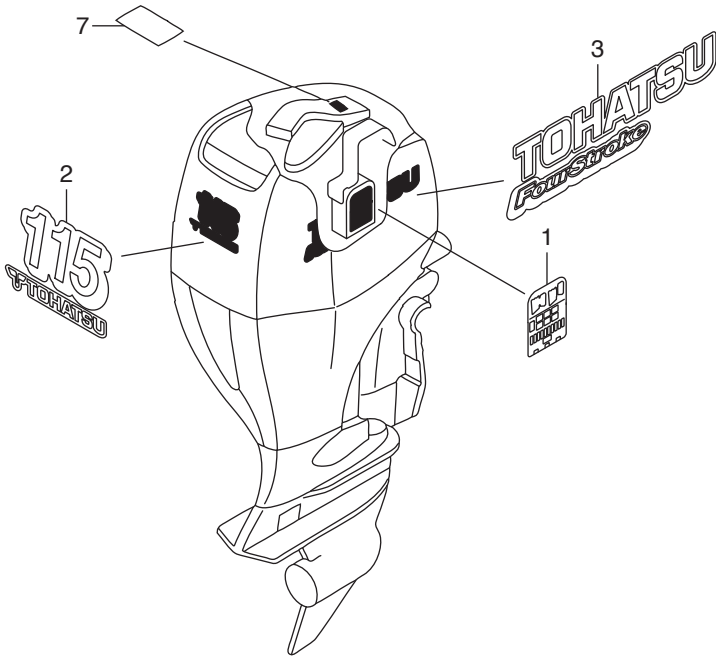


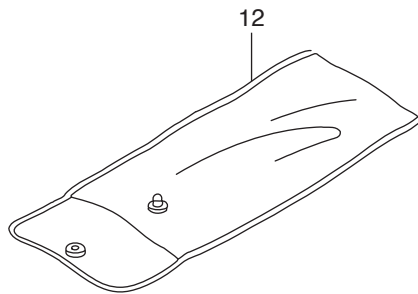
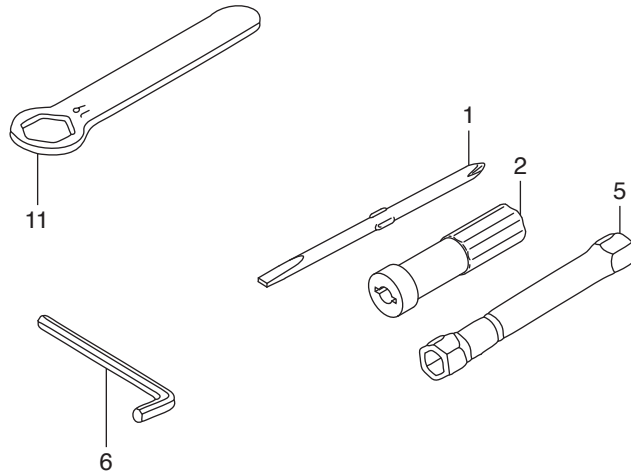


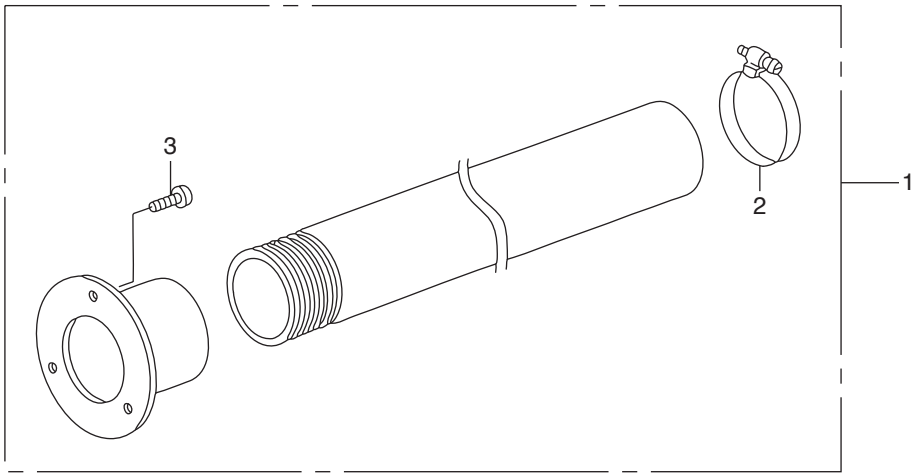
Ref.No.		Part No.	Description	Q' ty	Remarks
				BFT115A	
F-11	1	HZY3-30280-003	BREAKER ASSY.	1	
F-11	2	HZY3-31106-003	BRUSH ASSY.	1	
F-11	3	HZV5-36104-821	TUBE, SPIRAL	1	
F-11	4	HZY6-36120-013	MOTOR ASSY., POWER TILT	1	
F-11	5	HZY3-36122-013	BRACKET ASSY.	1	
F-11	6	HZY3-36123-013	ARMATURE COMP.	1	
F-11	7	HZY6-36129-013	YOKE ASSY.	1	
F-11	8	HZV5-36136-821	SPRING, MOTOR	2	
F-11	9	HZY3-40219-013	WIRE, LEAD(1.5X116MM)	1	
F-11	10	HZV5-50214-003	BUSH, SWIVEL CASE	2	
F-11	11	HZY6-56000-043	TRIM-TILT ASSY., POWER	1	LD,LU,XU
F-11					
F-11					
F-11					
F-11	12	HZY6-56100-013	PUMP ASSY.	1	LD,LU,XU
F-11					
F-11					
F-11					
F-11	13	HZW1-56110-701	ROD COMP., PISTON(B)	2	
F-11	14	HZW1-56113-701	JOINT, DRIVE	1	
F-11	15	HZW1-56115-305	GUIDE COMP., ROD	2	
F-11	16	HZY9-56115-003	GUIDE COMP., ROD	2	
F-11	17	HZW1-56116-701	FILTER B	1	
F-11	18	HZV5-56117-821	RING, BACK UP	1	
F-11	19	HZV5-56118-820	BUSH, MOTOR CODE	1	
F-11	20	HZW1-56120-305	ROD COMP., PISTON	1	
F-11	21	HZY9-56120-003	ROD COMP., PISTON	1	
F-11	22	HZW1-56130-702	PISTON COMP., FREE	1	
F-11	23	HZY3-56170-013	VALVE COMP., MANUAL	1	

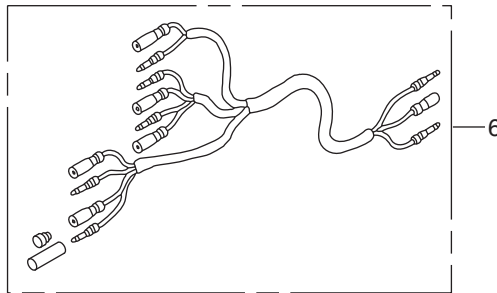
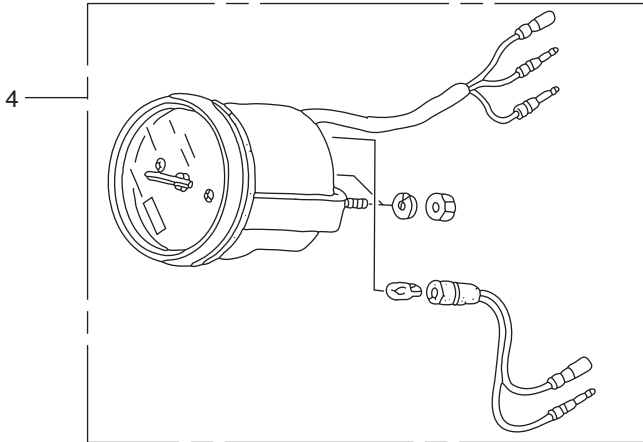
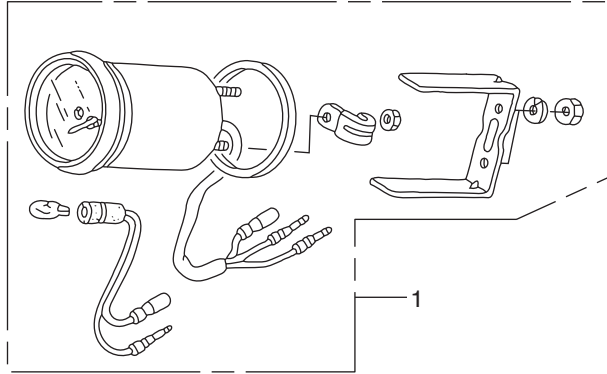


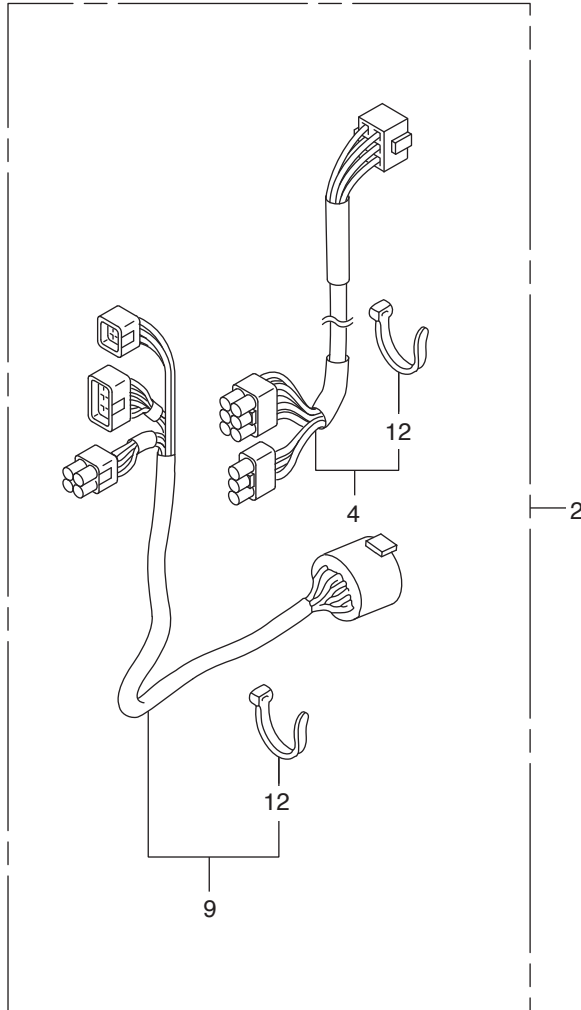
Ref.No.	Part No.	Description	Q' ty	Remarks	
			BFT115A		
F-11	24	HZW1-56180-701	VALVE COMP., RESERVOIR	1	
F-11	25	HZV5-56513-000	BUSH, LOWER CYLINDER	2	
F-11	26	HZW1-56532-000	PIN, UPPER CYLINDER	1	
F-11	27	HZW1-56851-703	TANK, OIL	1	
F-11	28	HZW1-56860-701	CAP COMP., OIL TANK	1	
F-11	29	HZW1-90113-702	BOLT, RECESSED	3	
F-11	30	HZW1-90114-702	BOLT, SOCKET(A)	1	
F-11	31	HZW1-90115-702	BOLT, SOCKET(B)	2	
F-11	32	HZW1-90116-702	BOLT, HEX.	4	
F-11	33	HZV5-90119-000	SCREW, PAN, 6X8	1	
F-11	34	HZW1-90652-702	CIRCLIP, INTERNAL	1	
F-11	35	HZV5-91203-821	OIL SEAL	1	
F-11	36	HZW1-91207-013	O-RING, 2.0X70.5	1	
F-11	37	HZV5-91302-821	O-RING, 1.8X69.6	1	
F-11	38	HZV5-91316-821	O-RING, 3.5X38.7	2	
F-11	39	HZW1-91352-702	O-RING, 1.8X7.7	6	
F-11	40	HZW1-91353-703	O-RING, 1.9X11	1	
F-11	41	HZW1-91354-701	O-RING, 3.5X35.7	2	
F-11	42	HZW1-91355-701	O-RING, 3.5X41.7	1	
F-11	43	HZW1-91357-701	O-RING SET, 3.5X31.7	2	
F-11	44	HZW1-91358-701	SEAL, WATER	2	
F-11	45	HZW1-91361-701	PACKING	2	
F-11	46	HZW1-91557-701	COLLAR, ORIFICE	1	
F-11	47	HCO-94540-15029	E-RING, 15MM	2	



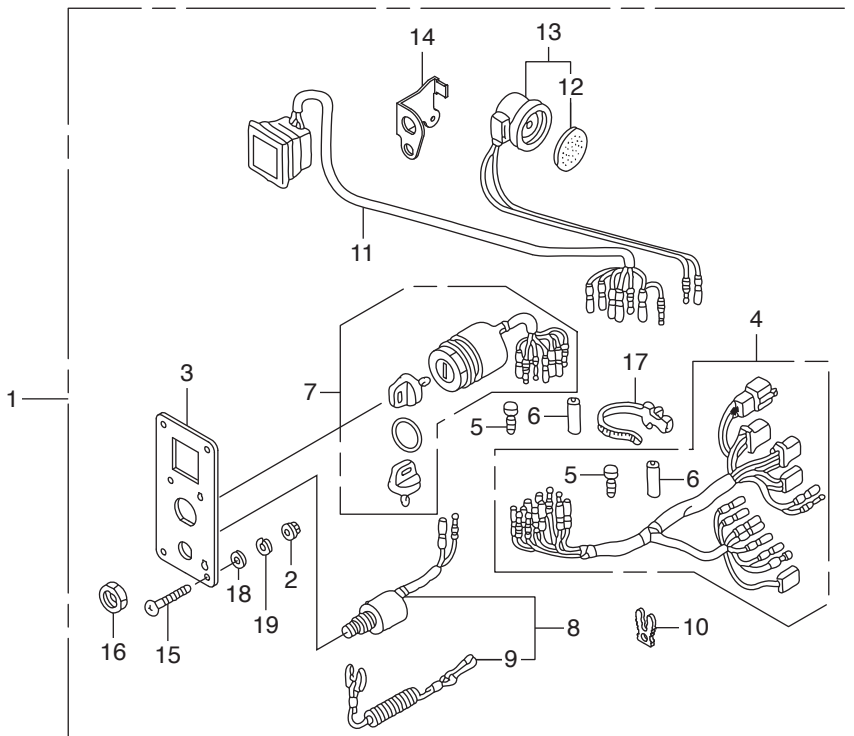


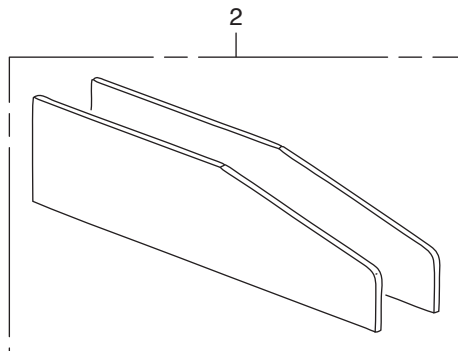
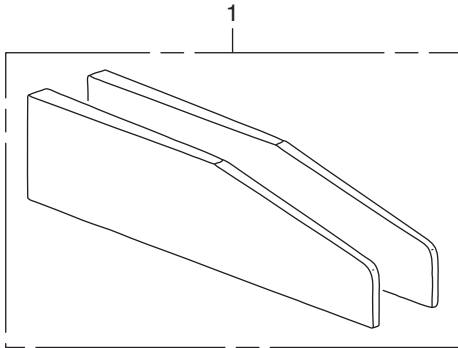


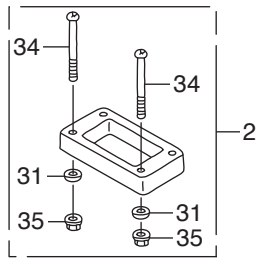
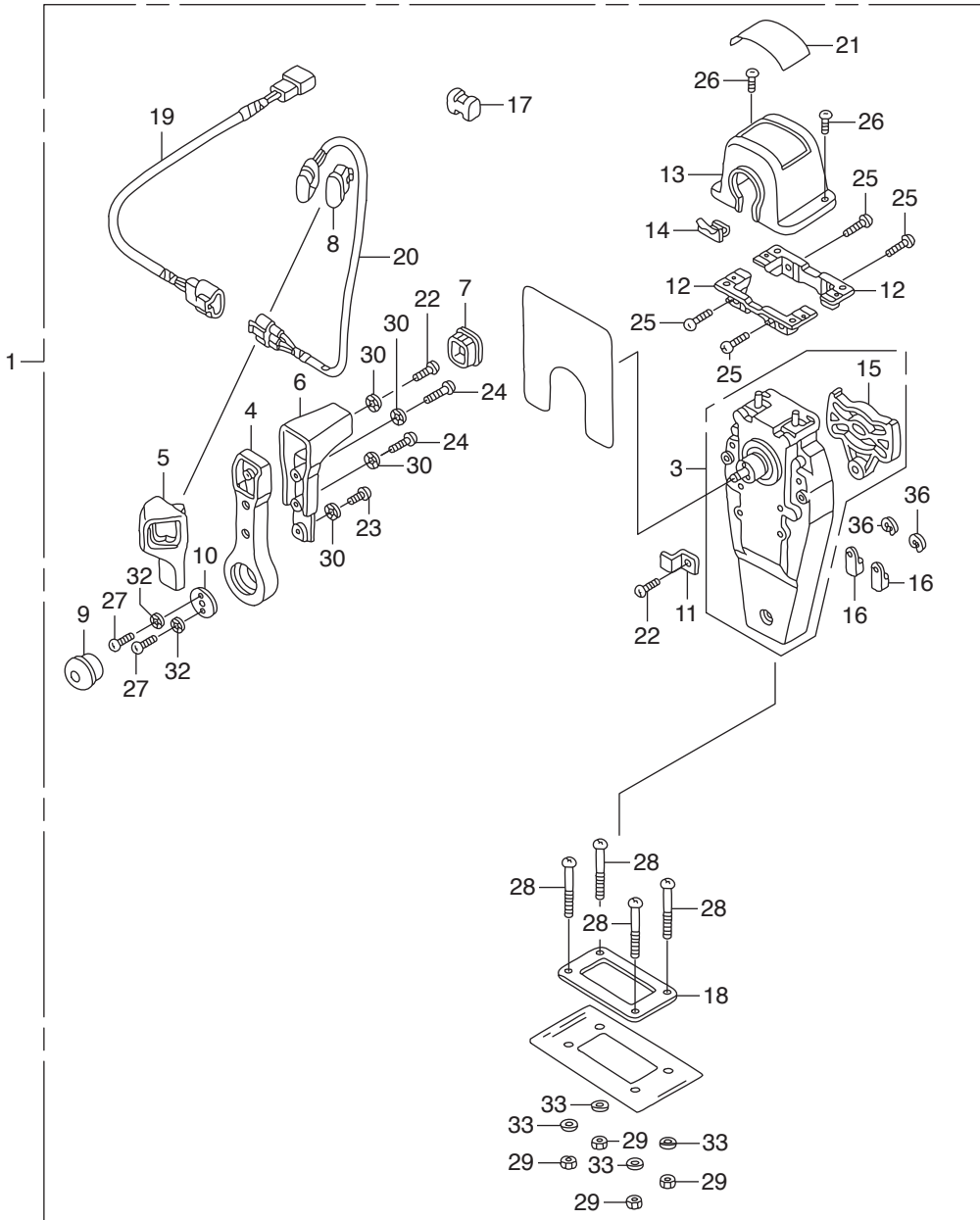




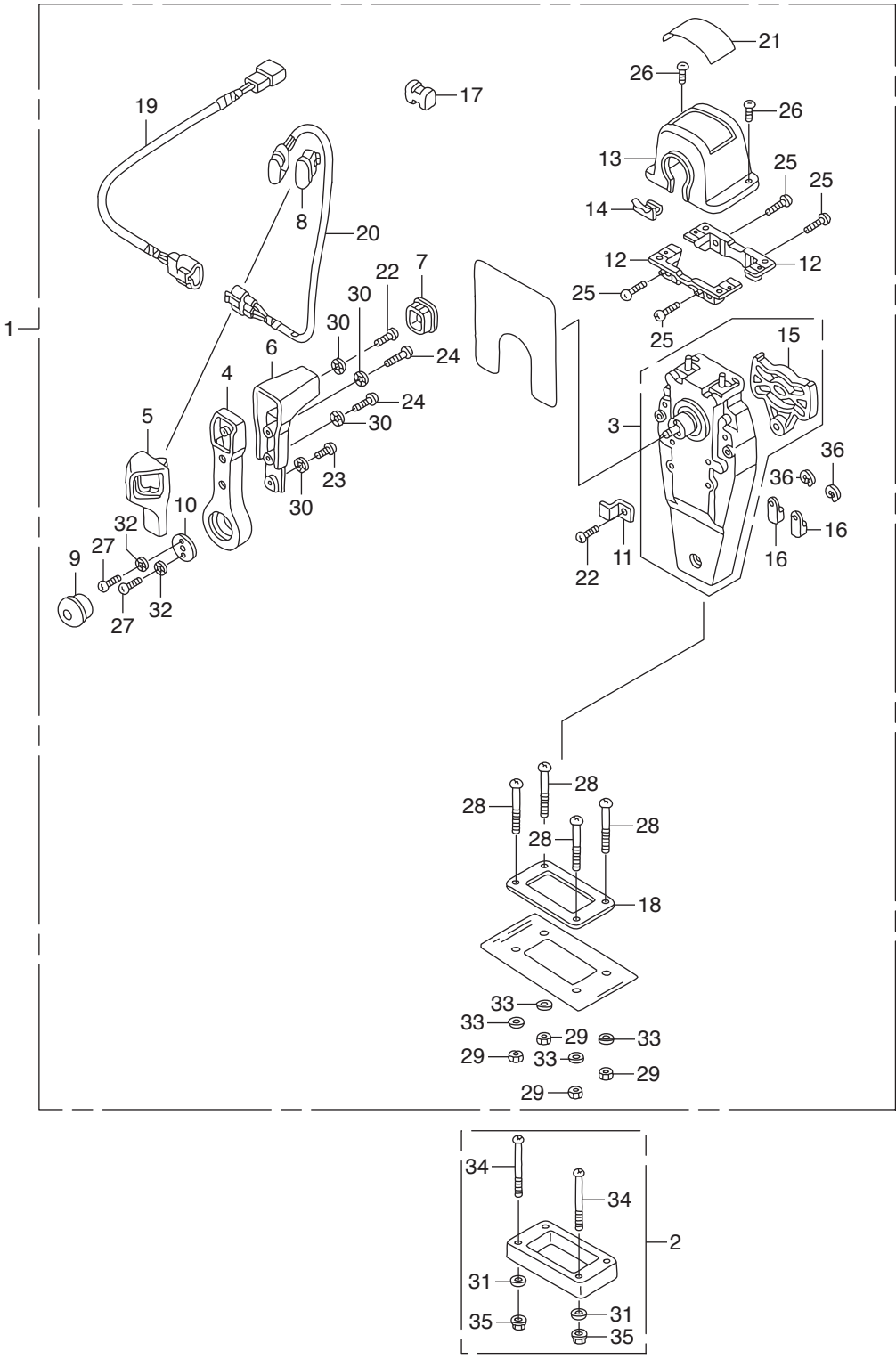
Ref.No.	Part No.	Description	Q' ty	Remarks
			BFT115A	
FOP-6				
FOP-6				
FOP-6	2	HZZ5-06325-600	CABLE SET, PANEL INDICATOR	1 (20FT)
FOP-6		HZZ5-06325-700	CABLE SET, PANEL INDICATOR	1 (25FT)
FOP-6		HZZ5-06325-800	CABLE SET, PANEL INDICATOR	1 (30FT)
FOP-6				
FOP-6	4	HZZ5-32185-600	CORD ASSY., INDICATOR(20FT)	1
FOP-6		HZZ5-32185-700	CORD ASSY., INDICATOR(25FT)	1
FOP-6		HZZ5-32185-800	CORD ASSY., INDICATOR(30FT)	1
FOP-6				
FOP-6				
FOP-6				
FOP-6				
FOP-6				
FOP-6				
FOP-6				
FOP-6	9	HZZ5-32580-600	CABLE ASSY., SWITCH PANEL	1 (20FT)
FOP-6		HZZ5-32580-700	CABLE ASSY., SWITCH PANEL	1 (25FT)
FOP-6		HZZ5-32580-800	CABLE ASSY., SWITCH PANEL	1 (30FT)
FOP-6				
FOP-6				
FOP-6	12	H952-32901-770	TIE, CABLE(NATURAL)(2.4X92)	6
FOP-6				
FOP-6				
FOP-6				
FOP-6				
FOP-6				
FOP-6				
FOP-6				
FOP-6				
FOP-6				
FOP-6				

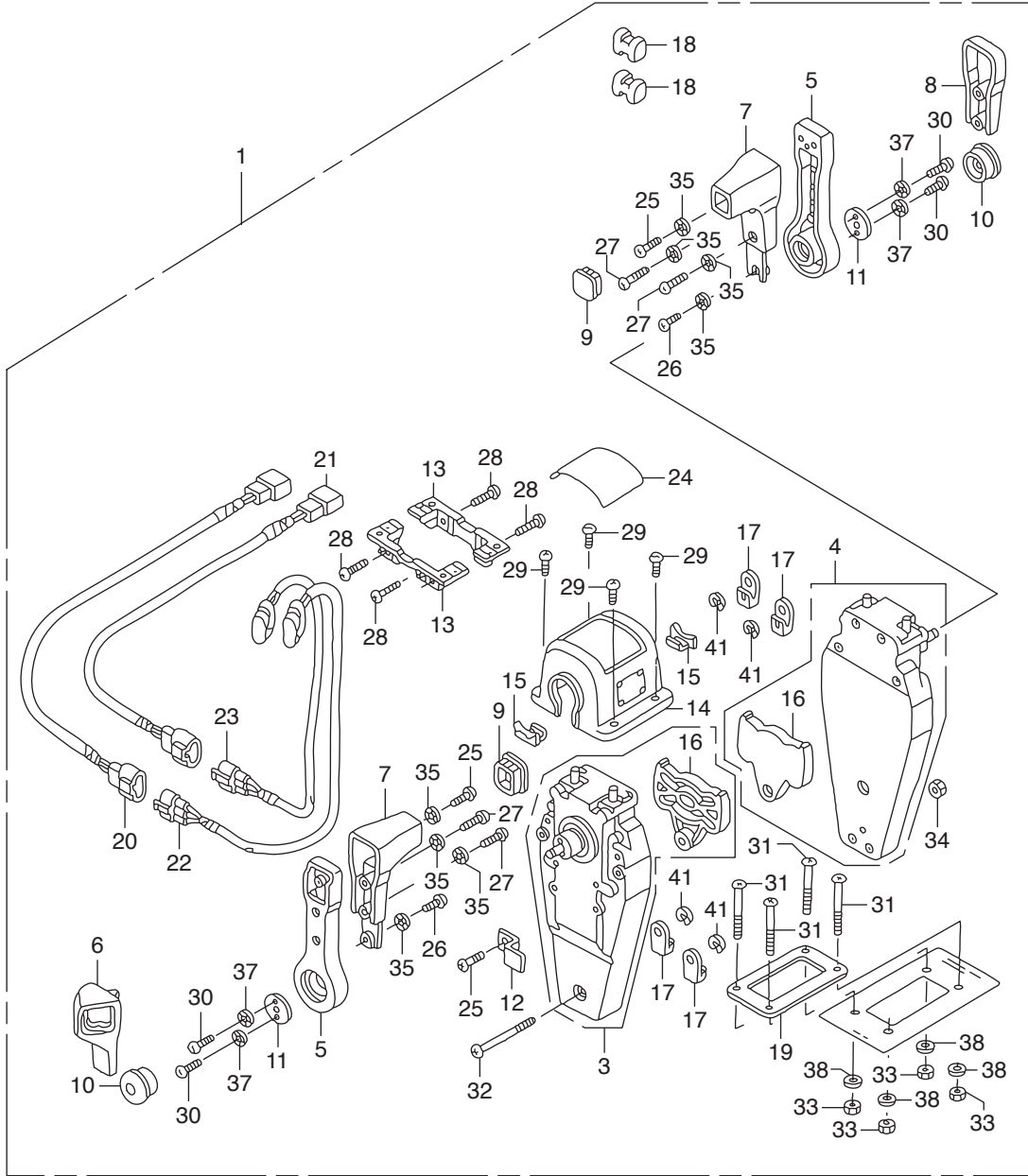




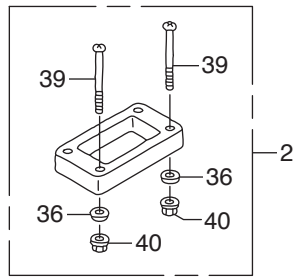
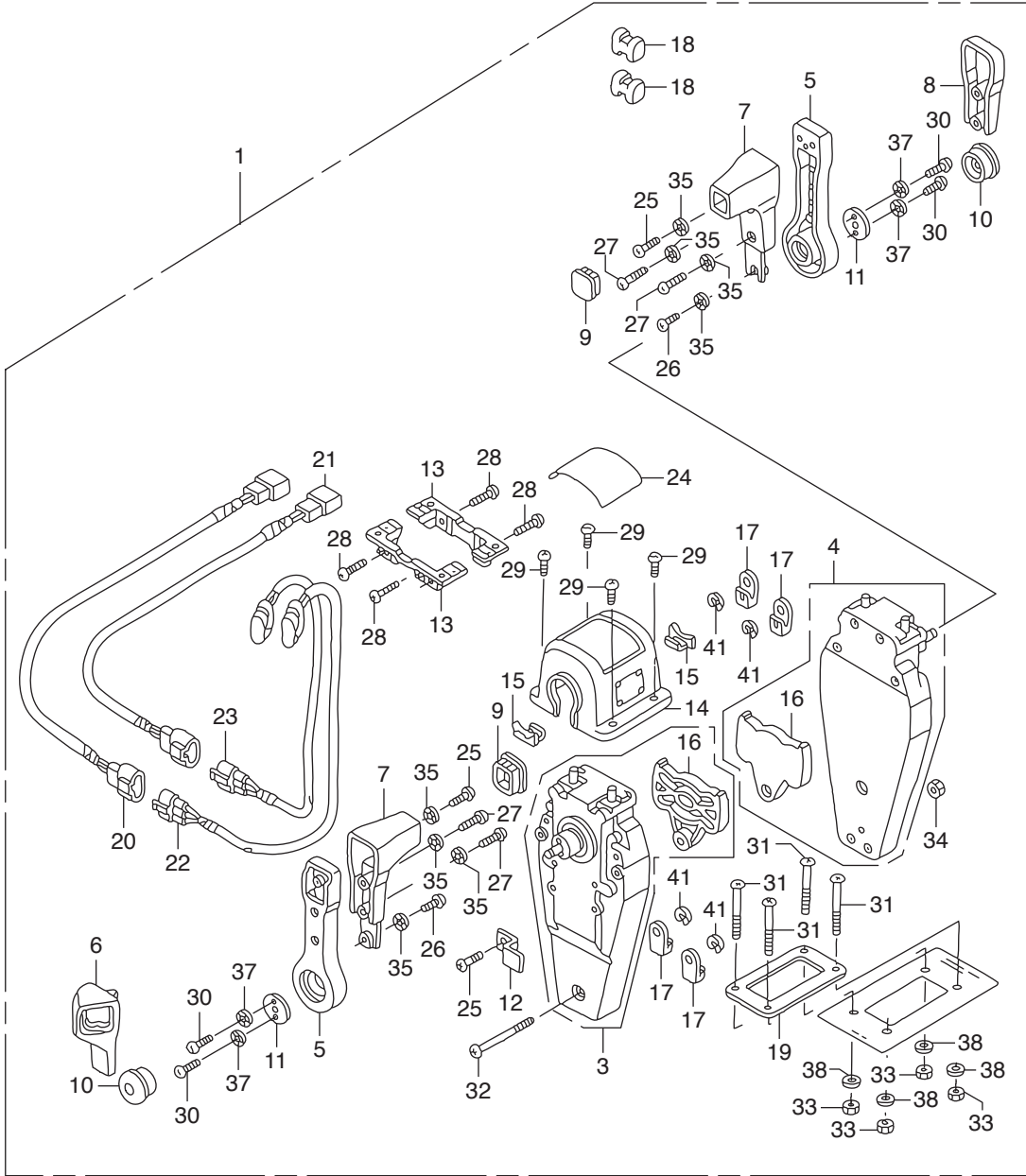


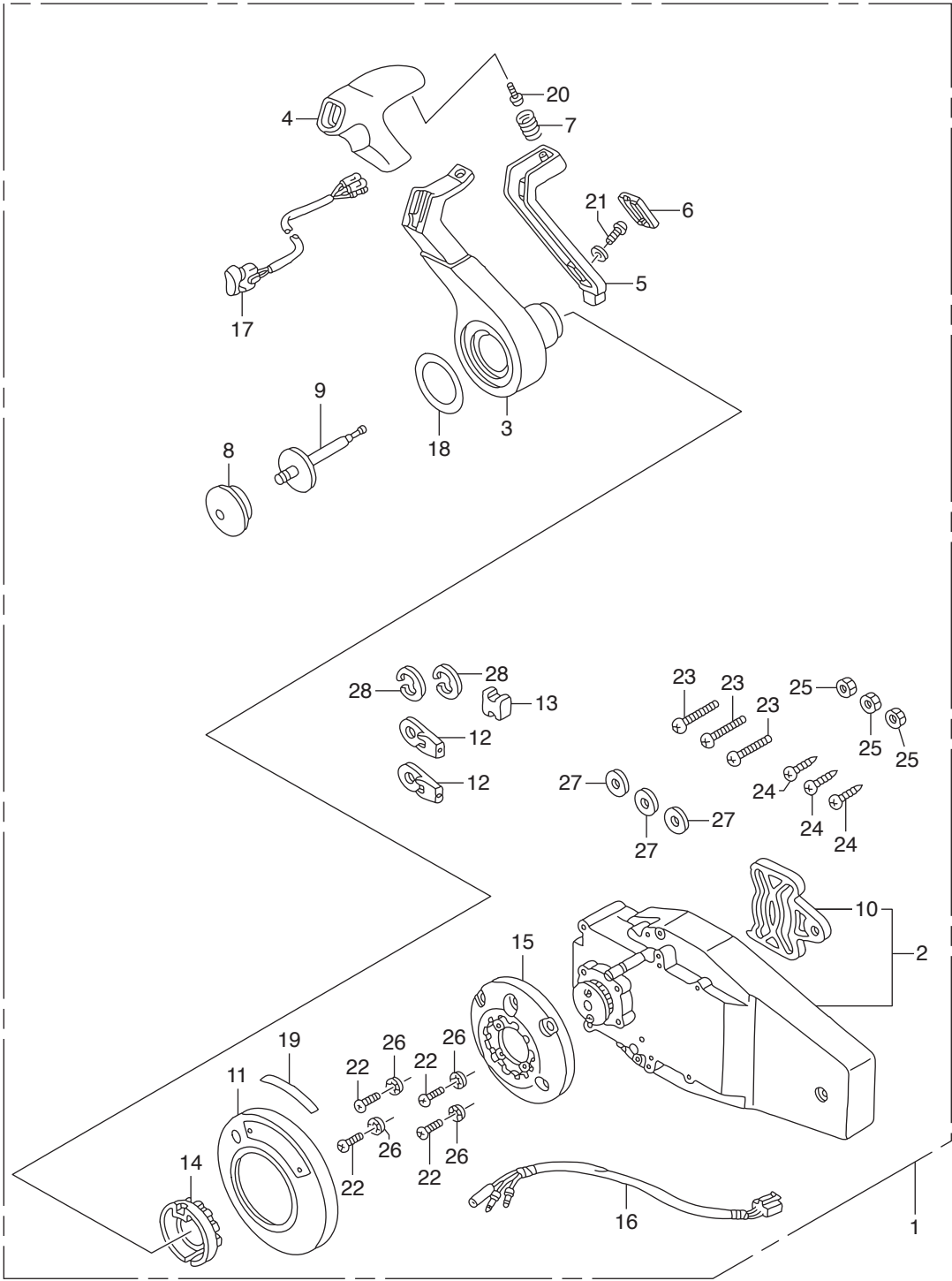
Ref.No.	Part No.	Description	Q' ty	Remarks	
			BFT115A		
FOP-8	1	HZZ3-06240-R30	BOX KIT, REMOTE CONTROL	1	(TOP MOUNT SINGLE)(R.)
FOP-8	2	HZW5-06241-U00	SPACER KIT, REMOTE CONTROL BOX	1	(TOP MOUNT SINGLE)
FOP-8	3	HZW5-24810-U01	HOUSING ASSY., L. INNER	1	(TOP MOUNT)
FOP-8	4	HZW5-24811-U01	HANDLE, REMOTE CONTROL	1	
FOP-8	5	HZW5-24812-U01	COVER, L. GRIP	1	
FOP-8	6	HZW5-24813-U01	GRIP, REMOTE CONTROL HANDLE	1	
FOP-8	7	HZW5-24814-U01	CAP, GRIP	1	
FOP-8	8	HZW5-24815-U01	CAP, SWITCH	1	
FOP-8	9	HZW5-24816-U01	BUTTON, THROTTLE	1	
FOP-8	10	HZW5-24817-U01	PLATE, HANDLE	1	
FOP-8	11	HZW5-24818-U01	PLATE, CABLE CLAMP	1	
FOP-8	12	HZW5-24819-U01	BRACKET, REMOTE CONTROL	2	HOUSING
FOP-8	13	HZW5-24820-U01	HOUSING COMP., REMOTE CONTROL	1	BOX
FOP-8	14	HZW5-24825-U01	HOUSING, LEAD	1	
FOP-8	15	HZW5-24826-U01	PLATE, DWELL	1	
FOP-8	16	HZW5-24831-U01	TERMINAL, CABLE	2	
FOP-8	17	HZW5-24832-U01	SPACER, CABLE CLAMP	1	
FOP-8	18	HZW5-24834-U01	PACKING, SINGLE	1	
FOP-8	19	HZW7-32530-U00	SUB HARNESS ASSY., POWER	1	TRIM-TILT(A)
FOP-8	20	HZW5-35370-U02	SWITCH ASSY., POWER TRIM-TILT	1	(A)
FOP-8	21	HZZ3-87703-R81	MARK, REMOTE CONTROL(SINGLE)	1	
FOP-8	22	HZW5-90101-U00	SCREW, PAN, 5X16	2	
FOP-8	23	HZW5-90102-U00	SCREW, PAN, 5X10	1	
FOP-8	24	HZW5-90103-U01	SCREW, PAN, 5X20	2	
FOP-8	25	HZW5-90104-U00	SCREW, PAN, 5X18	4	
FOP-8	26	HZW5-90105-U01	SCREW, PAN, 4X10	2	
FOP-8	27	HZW5-90106-U00	SCREW, PAN, 6X18	2	
FOP-8	28	HZW5-90107-U00	SCREW, PAN, 5X40	4	
FOP-8	29	HZW5-90301-U00	NUT, HEX., 5MM	4	



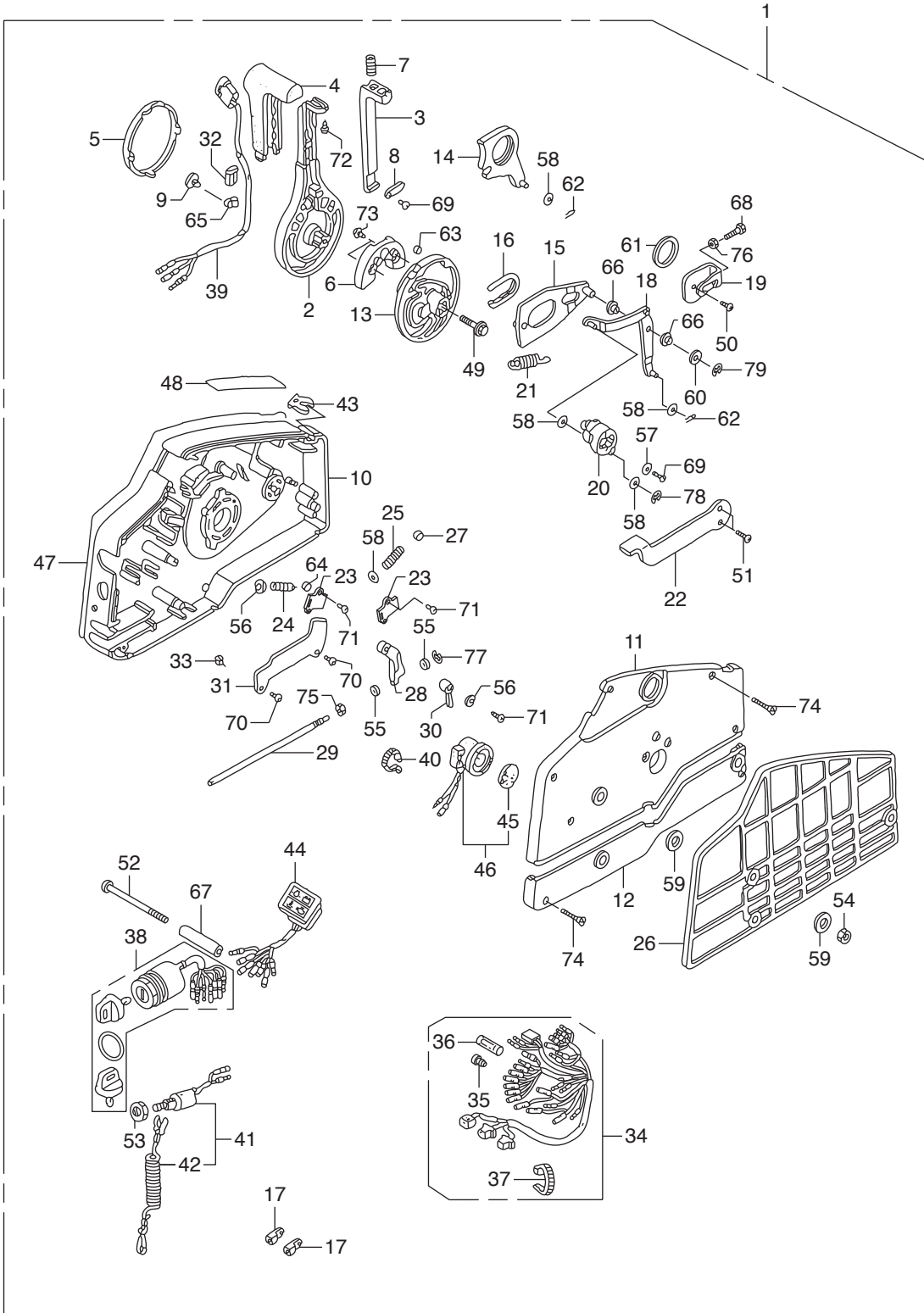


Ref.No.	Part No.	Description	Q' ty	Remarks	
			BFT115A		
FOP-8-2	1	HZZ3-06240-R60	BOX KIT, REMOTE CONTROL	1	(TOP MOUNT DUAL)(R.)
FOP-8-2	2	HZW5-06241-U10	SPACER KIT, REMOTE CONTROL BOX	1	(TOP MOUNT DUAL)
FOP-8-2	3	HZW5-24810-U01	HOUSING ASSY., L. INNER	1	(TOP MOUNT)
FOP-8-2	4	HZW5-24810-U11	HOUSING ASSY., R. INNER	1	(TOP MOUNT)
FOP-8-2	5	HZW5-24811-U01	HANDLE, REMOTE CONTROL	2	
FOP-8-2	6	HZW5-24812-U01	COVER, L. GRIP	1	
FOP-8-2	7	HZW5-24813-U01	GRIP, REMOTE CONTROL HANDLE	2	
FOP-8-2	8	HZW5-24813-U21	COVER, DUAL GRIP	1	
FOP-8-2	9	HZW5-24814-U01	CAP, GRIP	2	
FOP-8-2	10	HZW5-24816-U01	BUTTON, THROTTLE	2	
FOP-8-2	11	HZW5-24817-U01	PLATE, HANDLE	2	
FOP-8-2	12	HZW5-24818-U01	PLATE, CABLE CLAMP	1	
FOP-8-2	13	HZW5-24819-U01	BRACKET, REMOTE CONTROL	2	HOUSING
FOP-8-2	14	HZW5-24820-U21	HOUSING COMP., DUAL REMOTE	1	CONTROL BOX
FOP-8-2	15	HZW5-24825-U01	HOUSING, LEAD	2	
FOP-8-2	16	HZW5-24826-U01	PLATE, DWELL	2	
FOP-8-2	17	HZW5-24831-U01	TERMINAL, CABLE	4	
FOP-8-2	18	HZW5-24832-U01	SPACER, CABLE CLAMP	2	
FOP-8-2	19	HZW5-24834-U21	PACKING, DUAL	1	
FOP-8-2	20	HZW7-32530-U00	SUB HARNESS ASSY., POWER	1	TRIM-TILT(A)
FOP-8-2	21	HZW7-32530-U10	SUB HARNESS ASSY., POWER	1	TRIM-TILT(B)
FOP-8-2	22	HZW5-35370-U02	SWITCH ASSY., POWER TRIM-TILT	1	(A)
FOP-8-2	23	HZW5-35370-U12	SWITCH ASSY., POWER TRIM-TILT	1	(B)
FOP-8-2	24	HZZ3-87703-R01	MARK, REMOTE CONTROL(DUAL)	1	
FOP-8-2	25	HZW5-90101-U00	SCREW, PAN, 5X16	3	
FOP-8-2	26	HZW5-90102-U00	SCREW, PAN, 5X10	2	
FOP-8-2	27	HZW5-90103-U01	SCREW, PAN, 5X20	4	
FOP-8-2	28	HZW5-90104-U00	SCREW, PAN, 5X18	4	
FOP-8-2	29	HZW5-90105-U01	SCREW, PAN, 4X10	4	

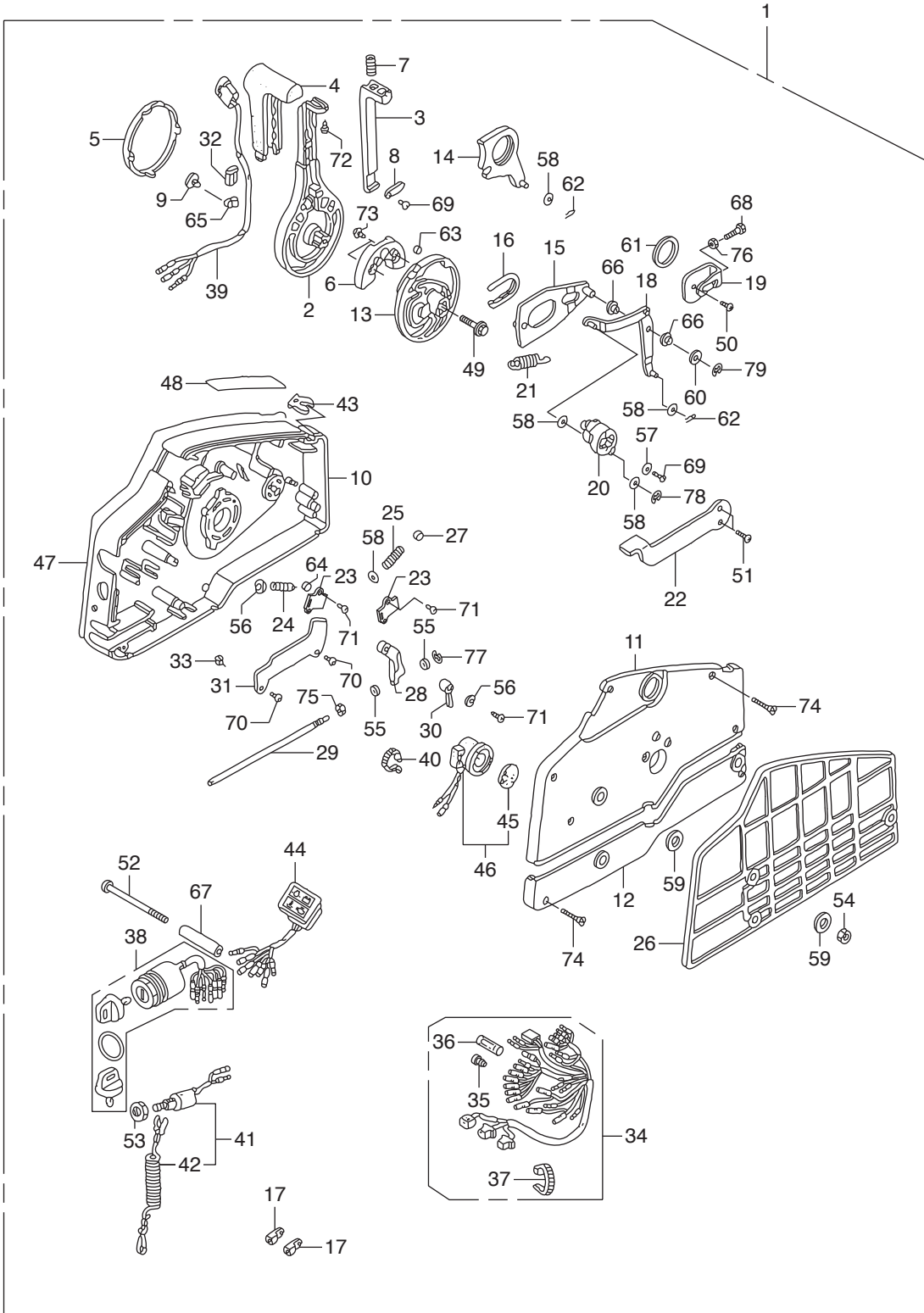




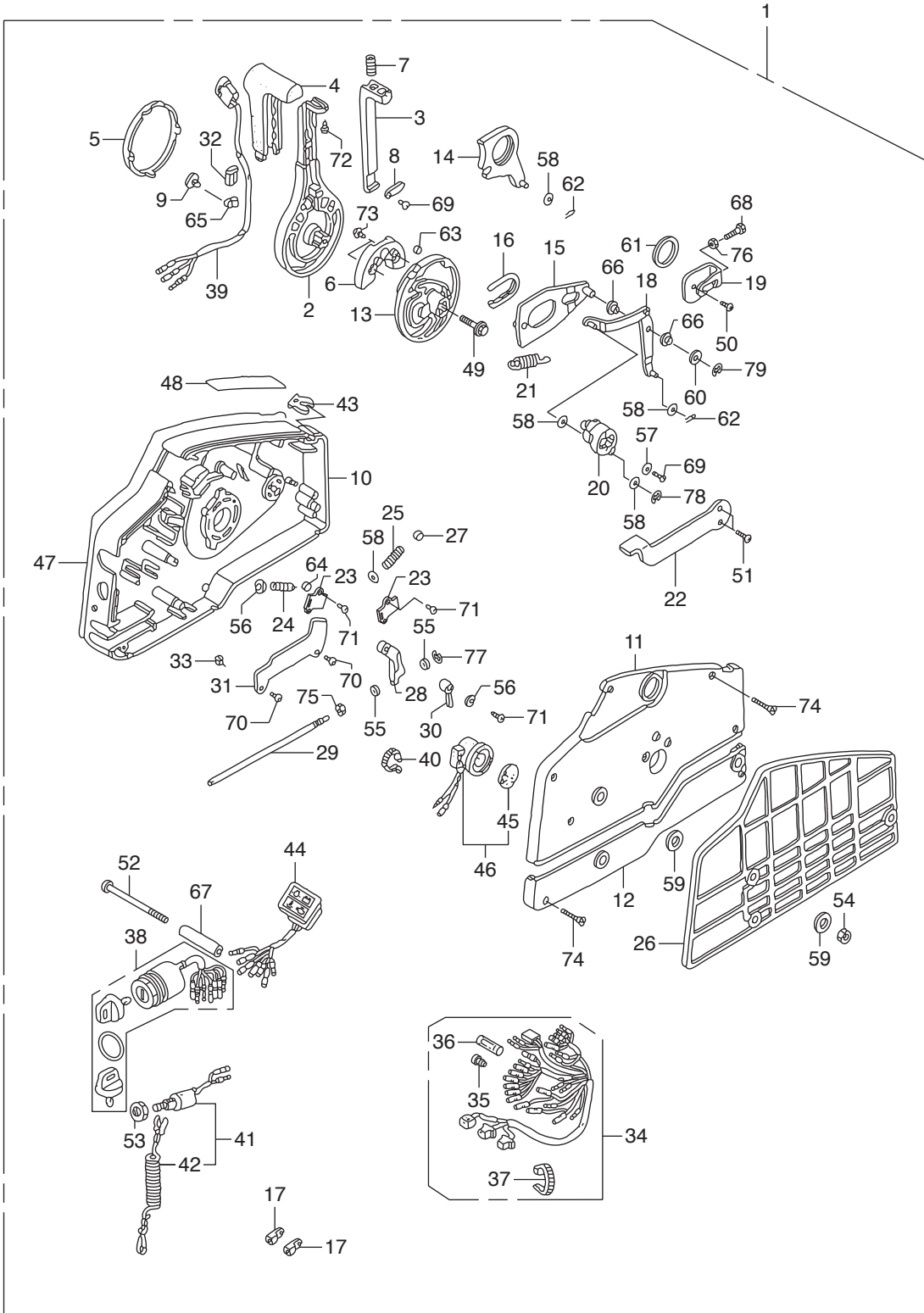
Ref.No.	Part No.	Description	Q' ty	Remarks	
			BFT115A		
FOP-8-4	1	HZZ3-06240-R40	BOX KIT, REMOTE CONTROL	1	(FLUSH MOUNT)(R.)
FOP-8-4	2	HZW7-24810-U01	HOUSING ASSY., R. INNER	1	(FLUSH MOUNT)
FOP-8-4	3	HZW7-24811-U01	HANDLE, REMOTE CONTROL	1	
FOP-8-4	4	HZW7-24812-U01	COVER, GRIP	1	
FOP-8-4	5	HZW7-24813-U01	ARM, NEUTRAL LOCK	1	
FOP-8-4	6	HZW7-24814-U01	COVER, LOCK ARM	1	
FOP-8-4	7	HZW7-24815-U01	SPRING, NEUTRAL LOCK ARM	1	
FOP-8-4	8	HZW5-24816-U01	BUTTON, THROTTLE	1	
FOP-8-4	9	HZW7-24817-U01	SHAFT, THROTTLE BUTTON	1	
FOP-8-4	10	HZW5-24826-U01	PLATE, DWELL	1	
FOP-8-4	11	HZW7-24830-U01	COVER ASSY.	1	
FOP-8-4	12	HZW5-24831-U01	TERMINAL, CABLE	2	
FOP-8-4	13	HZW5-24832-U01	SPACER, CABLE CLAMP	1	
FOP-8-4	14	HZW7-24832-U01	HOLDER, NEUTRAL LOCK	1	
FOP-8-4	15	HZW7-24833-U01	BASE	1	
FOP-8-4	16	HZW7-32530-U20	SUB HARNESS ASSY., POWER	1	TRIM-TILT(C)
FOP-8-4	17	HZW7-35370-U02	SWITCH ASSY., POWER TRIM-TILT	1	(C)
FOP-8-4	18	HZW7-87701-U01	MARK, HANDLE FLUSH MOUNT	1	
FOP-8-4	19	HZW7-87703-U00	MARK, FLUSH MOUNT	1	
FOP-8-4	20	HZW5-90101-U00	SCREW, PAN, 5X16	1	
FOP-8-4	21	HZW7-90101-U01	SCREW, TRUSS, 4X12	1	
FOP-8-4	22	HZW7-90102-U01	SCREW, PAN, 5X30	4	
FOP-8-4	23	HZW7-90103-U01	SCREW, PAN, 6X35	3	
FOP-8-4	24	HZW7-90104-U01	SCREW, TAPPING, 6X30	3	
FOP-8-4	25	HZW7-90301-U01	NUT, HEX., 6MM	3	
FOP-8-4	26	HZW5-90501-U00	WASHER, LOCK, 5MM	4	
FOP-8-4	27	HZW7-90502-U00	WASHER, PLAIN, 6MM	3	
FOP-8-4	28	HCO-94540-06029	E-RING, 6MM	2	



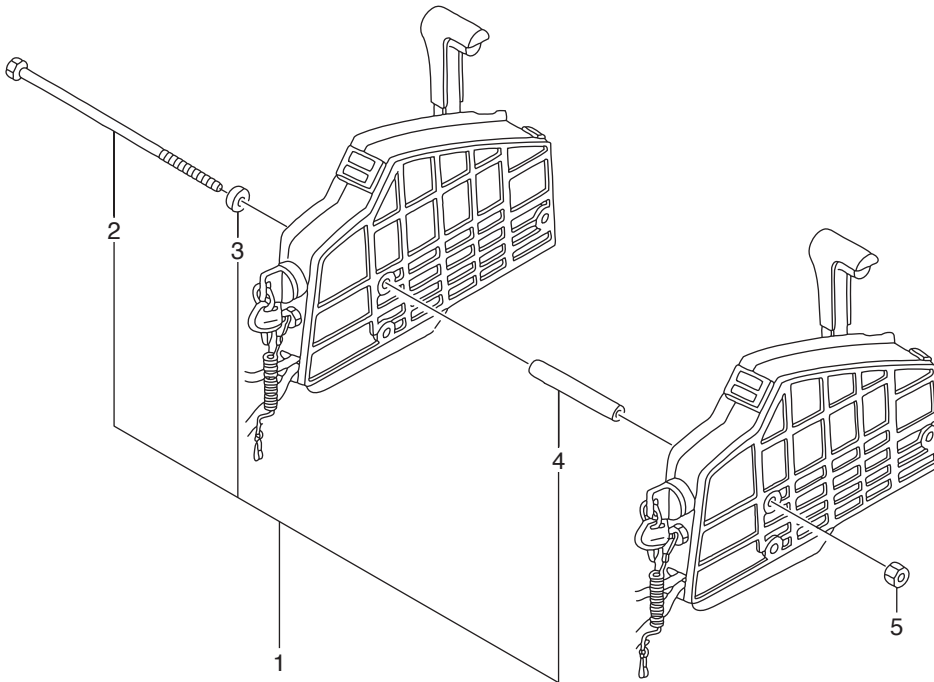
Ref.No.	Part No.	Description	Q' ty	Remarks	
			BFT115A		
FOP-8-6	1	HZZ3-24800-R00	BOX ASSY., REMOTE CONTROL	1	LD
FOP-8-6		HZZ3-24800-R50	BOX ASSY., REMOTE CONTROL	1	LU,XU
FOP-8-6	2	HZV5-24811-010	HANDLE, REMOTE CONTROL	1	
FOP-8-6	3	HZV5-24812-000	LEVER, HANDLE LOCK	1	
FOP-8-6	4	HZV5-24813-000	GRIP, REMOTE CONTROL HANDLE	1	
FOP-8-6	5	HZV5-24814-010	CAP, HANDLE	1	
FOP-8-6	6	HZV5-24815-010	BLOCK, NEUTRAL LOCK	1	
FOP-8-6	7	HZV5-24816-000	SPRING, REMOTE CONTROL HANDLE	1	
FOP-8-6	8	HZV5-24817-000	PLATE, LEVER SETTING	1	
FOP-8-6	9	HZV5-24818-003	CLAMP, HARNESS	1	
FOP-8-6	10	HZV5-24820-010	HOUSING COMP., REMOTE CONTROL	1	BOX(A)
FOP-8-6	11	HZV5-24830-010	HOUSING COMP., REMOTE CONTROL	1	BOX(B)
FOP-8-6	12	HZV5-24836-000	HOUSING, REMOTE CONTROL BOX(C)	1	
FOP-8-6	13	HZV5-24841-000	WHEEL, CONTROL	1	
FOP-8-6	14	HZV5-24845-000	ARM COMP., SHIFT LINK	1	
FOP-8-6	15	HZV5-24850-000	PLATE COMP., SLIDING	1	
FOP-8-6	16	HZV5-24854-000	COLLAR, SLIDING PLATE	1	
FOP-8-6	17	HZV5-24855-000	PIVOT, SHIFT	2	
FOP-8-6	18	HZV5-24860-000	ARM COMP., LINK JOINT	1	
FOP-8-6	19	HZV5-24865-000	BRACKET, LINK JOINT	1	
FOP-8-6	20	HZV5-24875-000	WHEEL, ACCELERATOR	1	
FOP-8-6	21	HZV5-24876-000	SPRING, ACCELERATOR WHEEL	1	
FOP-8-6	22	HZV5-24878-000	LEVER, IDLE	1	
FOP-8-6	23	HZV5-24881-000	PLATE, SPRING SETTING	2	
FOP-8-6	24	HZV5-24883-000	SPRING, SHIFT CLICK	1	
FOP-8-6	25	HZV5-24884-000	SPRING, CHOKE RETURN	1	
FOP-8-6	26	HZV5-24885-000	SPACER, REMOTE CONTROL BOX	1	
FOP-8-6	27	HZV5-24887-000	SPACER, CLICK SPRING	1	
FOP-8-6	28	HZV5-24891-000	BLOCK, THROTTLE FRICTION	1	

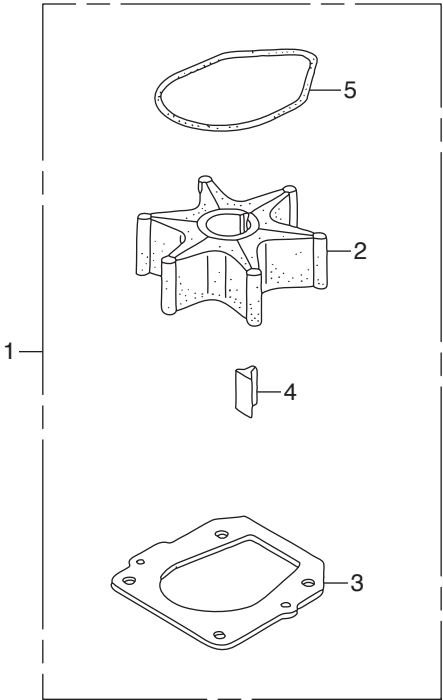


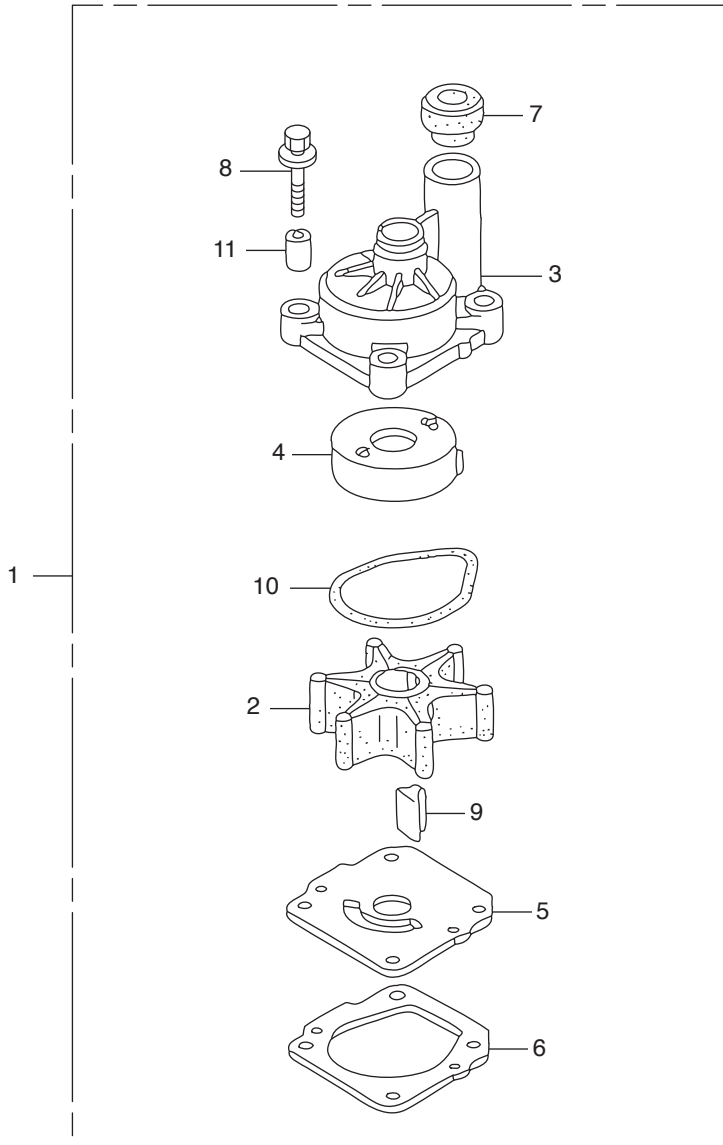
Ref.No.	Part No.	Description	Q' ty	Remarks	
			BFT115A		
FOP-8-6	29	HZV5-24892-000	BOLT, FRICTION	1	
FOP-8-6	30	HZV5-24894-000	SPACER, NEUTRAL SWITCH	1	
FOP-8-6	31	HZV5-24895-000	CLAMP, POWER TILT CORD	1	
FOP-8-6	32	HZV5-24897-000	PIPE, HARNESS GUIDE	1	
FOP-8-6	33	HZV5-24898-000	SPACER, CABLE CLAMP	1	
FOP-8-6	34	HZZ5-32530-000	CABLE ASSY., REMOTE CONTROL(B)	1	
FOP-8-6	35	HZV5-32823-003	PLUG, INNER CONNECTOR	7	
FOP-8-6	36	HZV5-32824-003	PLUG, OUTER CONNECTOR	1	
FOP-8-6	37	H952-32901-770	TIE, CABLE(NATURAL)(2.4X92)	1	
FOP-8-6	38	HZZ3-35100-R11	SWITCH ASSY., COMBINATION	1	
FOP-8-6	39	HZV5-35370-823	SWITCH ASSY., POWER TRIM-TILT	1	
FOP-8-6	40	HMG9-35701-950	BAND(BLACK 3.5X140)	1	
FOP-8-6	41	HZV5-36180-033	SWITCH ASSY., EMERGENCY STOP	1	
FOP-8-6	42	HZV4-36182-651	CORD COMP., EMERGENCY	1	
FOP-8-6	43	HZV4-36187-652	CLIP, EMERGENCY LOCK	1	
FOP-8-6	44	HZZ5-37210-013	LAMP ASSY., INDICATION	1	
FOP-8-6	45	H341-38403-672	PLATE, WINKER BUZZER	1	
FOP-8-6	46	HZV5-38410-003	BUZZER COMP., WARNING	1	
FOP-8-6	47	HZZ3-87701-R00	PLATE, REMOTE CONTROL	1	LD
FOP-8-6					
FOP-8-6					
FOP-8-6	48	HZW9-87702-800	MARK, FAST IDLE	1	
FOP-8-6	49	HZW9-90008-000	BOLT, FLANGE, 8X35	1	
FOP-8-6	50	HMM4-90105-000	SCREW, PAN, 6X10	1	
FOP-8-6	51	HZW4-90108-000	SCREW, FLAT, 5X12	2	
FOP-8-6	52	HZV5-90125-000	SCREW, 6X95	3	
FOP-8-6	53	H921-90302-000	NUT, HEX., 16MM	1	
FOP-8-6	54	HZV4-90304-000	NUT, HEX., 6MM	3	
FOP-8-6	55	HZW4-90401-000	WASHER, PLAIN, 4MM	2	

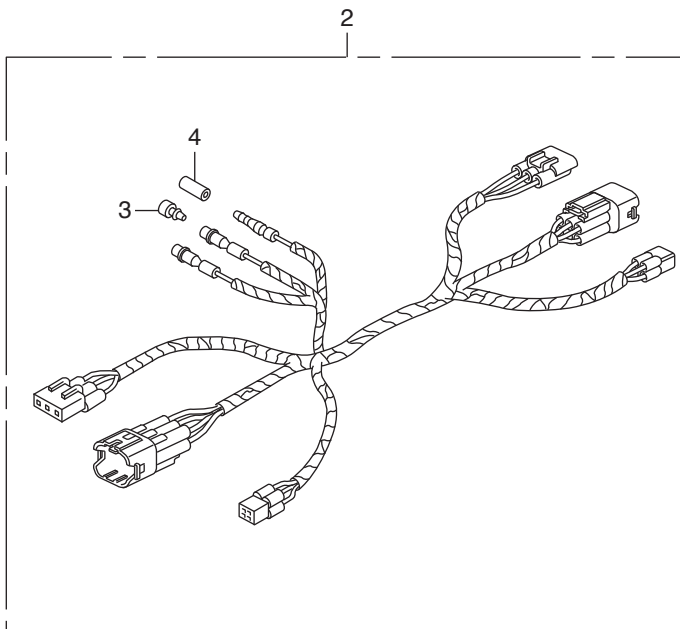
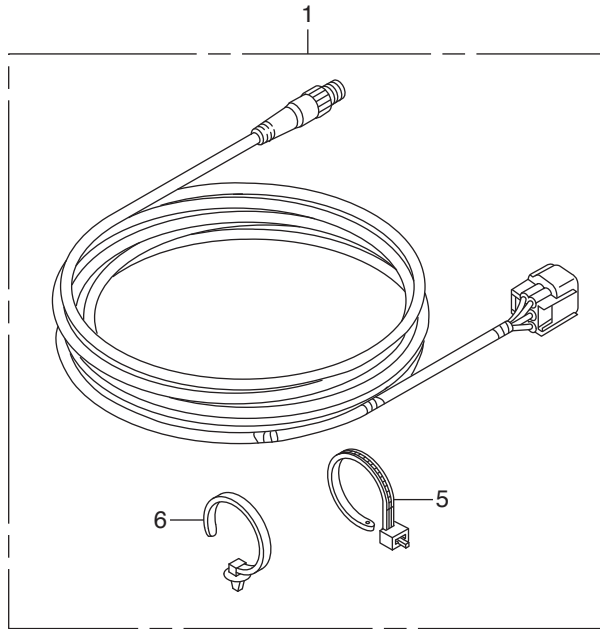


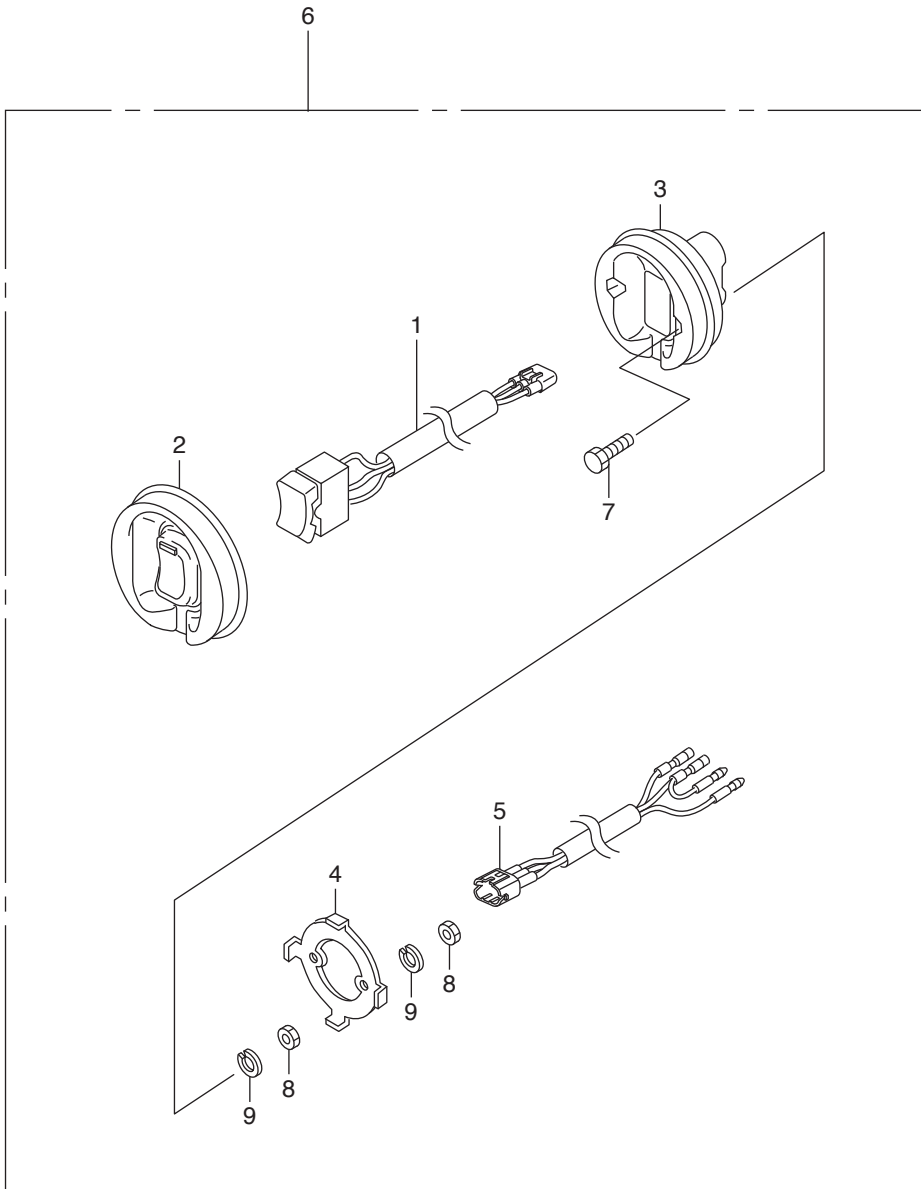
Ref.No.	Part No.	Description	Q' ty	Remarks	
			BFT115A		
FOP-8-6	56	HZW4-90402-000	WASHER, PLAIN, 5MM	2	
FOP-8-6	57	HZV4-90502-000	WASHER, PLAIN, 5MM	1	
FOP-8-6	58	H921-90504-010	WASHER, PLAIN, 6MM	5	
FOP-8-6	59	H921-90512-010	WASHER, 6MM	6	
FOP-8-6	60	H921-90518-000	WASHER, PLAIN, 8MM	1	
FOP-8-6	61	HZV5-90557-000	WASHER, 28MM	1	
FOP-8-6	62	HZV5-90751-000	PIN, LOCK, 6MM	2	
FOP-8-6	63	HZV5-90772-000	PIN, 6X6	1	
FOP-8-6	64	HZV5-91151-000	ROLLER, CLICK	1	
FOP-8-6	65	HSB6-91475-000	CLIP, WIRE HARNESS(6.3MM)	1	
FOP-8-6	66	HZV5-91567-000	COLLAR, LINK JOINT	2	
FOP-8-6	67	HZV5-91570-000	COLLAR, DISTANCE, 6X10X43.5	3	
FOP-8-6	68	HCO-92101-05016-4J	BOLT, HEX., 5X16	1	
FOP-8-6	69	HCO-93500-05010-4J	SCREW, PAN, 5X10	2	
FOP-8-6	70	HCO-93901-250J0	SCREW, TAPPING, 5X8	2	
FOP-8-6	71	HCO-93901-251J0	SCREW, TAPPING, 5X10	3	
FOP-8-6	72	HCO-93901-252J0	SCREW, TAPPING, 5X12	1	
FOP-8-6	73	HCO-93903-262J0	SCREW, TAPPING, 6X16	2	
FOP-8-6	74	HCO-93905-255J0	SCREW, TAPPING, 5X25	7	
FOP-8-6	75	HCO-94001-06490-0S	NUT, HEX., 6MM	1	
FOP-8-6	76	HCO-94002-05490-0S	NUT, HEX., 5MM	1	
FOP-8-6	77	HCO-94540-03029	E-RING, 3MM	1	
FOP-8-6	78	HCO-94540-04029	E-RING, 4MM	1	
FOP-8-6	79	HCO-94540-07029	E-RING, 7MM	1	

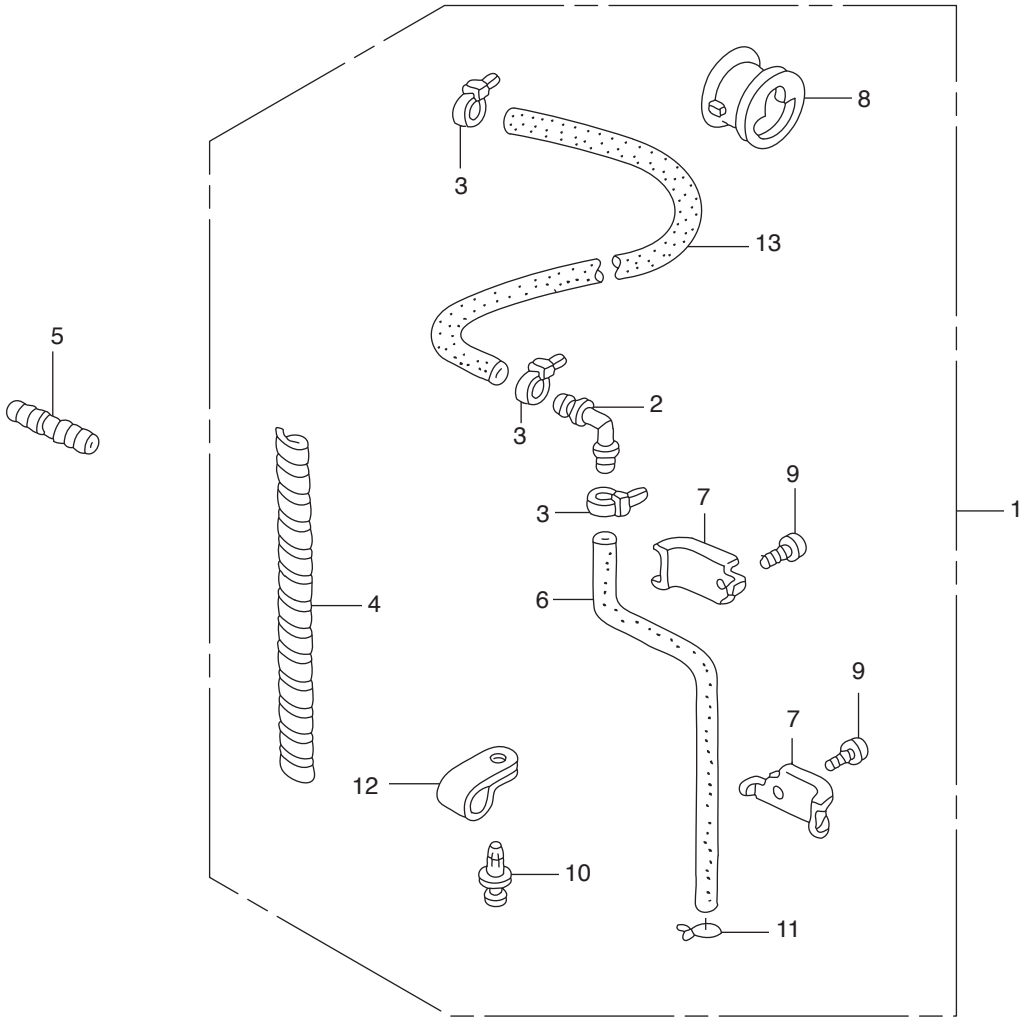












INDEX

<A>		
ARM ASSY., EX. ROCKER	E-9-14	
ARM ASSY., ROCKER	E-9-13	
ARM COMP., CAM CHAIN TENSIONER	E-9-10	
ARM COMP., CLICK	F-2-8	
ARM COMP., LINK JOINT	FOP-8-6-18	
ARM COMP., SHIFT LINK	FOP-8-6-14	
ARM, NEUTRAL LOCK	FOP-8-4-5	
ARM, SHIFT	F-2-13	
ARM, THROTTLE	F-2-6	
ARMATURE COMP.	F-11-6	
		
BAG, TOOL, 230MM	F-13-12	
BALL, STEEL	E-21-6	
BALL, STEEL, #7(7/32)	F-5-29	
BALL, STEEL, #9(9/32)	F-5-30	
BAND	E-18-10-43	
BAND(BLACK 3.5X140)	F-8-10-10	
BAND(BLACK 3.5X140)	FOP-8-6-40	
BAND, AIR FLOW	E-15-4	
BAND, HARNESS	E-14-30	
BAND, HARNESS OFFSET(10)	F-7-30-2	
BAND, UNDER CASE GROMMET	F-8-10-4	
BAND, WIRE	F-3-2	
BAND, WIRE	FOP-13-3	
BAND, WIRE HARNESS(NATURAL)	FOP-6-1-17	
BASE	FOP-8-4-15	
BASE, INJECTOR	E-14-10	
BEARING A, CONNECTING ROD	E-7-7	
BEARING A, MAIN LOWER(BLUE)	E-7-11	
BEARING A, MAIN UPPER(BLUE)	E-7-9	
BEARING B, CONNECTING ROD	E-7-7	
BEARING B, MAIN LOWER(BLACK)	E-7-7	
BEARING B, MAIN UPPER(BLACK)	E-7-7	
BEARING C, CONNECTING ROD	E-7-7	
BEARING C, MAIN LOWER(BROWN)	E-7-7	
BEARING C, MAIN UPPER(BROWN)	E-7-7	
BEARING D, CONNECTING ROD	E-7-7	
BEARING D, MAIN LOWER(GREEN)	E-7-7	
BEARING D, MAIN UPPER(GREEN)	E-7-7	
BEARING E, CONNECTING ROD	E-7-7	
BEARING E, MAIN LOWER(YELLOW)	E-7-7	
BEARING E, MAIN UPPER(YELLOW)	E-7-7	
BEARING F, CONNECTING ROD	E-7-7	
BEARING F, MAIN LOWER(PINK)	E-7-7	
BEARING F, MAIN UPPER(PINK)	E-7-7	
BEARING G, CONNECTING ROD(RED)	E-7-7	
BEARING, FR.	E-19-4	
BEARING, NEEDLE(25X32X26)	F-5-24	
BEARING, NEEDLE	F-4-26	
BEARING, NEEDLE, 20X28X13	F-2-42	
BEARING, NEEDLE, 30X37X26	F-5-20	
BEARING, RADIAL BALL, 50X90X20	F-5-23	
BEARING, RR.	E-19-3	
BEARING, TAPER ROLLER	F-4-27	
BEARING, TAPER, 50X90X28	F-5-22	
BEARING, THRUST(F)	F-5-21	
BELT, A.C. GENERATOR(4PK810)	E-13-3	
BLOCK ASSY., CYLINDER	E-3-6	
BLOCK, NEUTRAL LOCK	FOP-8-6-6	
BLOCK, THROTTLE FRICTION	FOP-8-6-28	
BODY COMP., CHAMBER	E-18-10-5	
BODY COMP., OIL JET	E-3-9	
BODY, TROLLING CONTROL SWITCH	FOP-12-3	
BOLT	E-19-14	
BOLT A, HEAD COVER	E-9-20-16	
BOLT A, THROUGH	E-21-18	
BOLT COMP., OIL JET	E-3-10	
BOLT KIT, SIDE REMOTE CONTROL	FOP-9-1	
BOLT, 1/4-28UNF	F-10-26	
BOLT, 3/8-24UNF	F-10-27	
BOLT, CHAIN GUIDE	E-10-9	
BOLT, CONNECTING ROD	E-7-5	
BOLT, COVER LOCK	F-8-8	
BOLT, DRAIN PLUG	E-6-15	
BOLT, DRAIN PLUG	F-3-14	
BOLT, FLANGE, 10X105	E-10-18	
BOLT, FLANGE, 10X110	E-6-23	
BOLT, FLANGE, 10X25	F-10-32	
BOLT, FLANGE, 10X32	E-9-29	
BOLT, FLANGE, 10X40	E-6-9	
BOLT, FLANGE, 10X40	F-3-20-8	
BOLT, FLANGE, 10X40	F-5-12	
BOLT, FLANGE, 10X43	E-9-10-19	
BOLT, FLANGE, 10X45	E-4-11	
BOLT, FLANGE, 10X70	E-3-29	
BOLT, FLANGE, 10X70	E-9-10-21	
BOLT, FLANGE, 10X75	E-4-8	
BOLT, FLANGE, 10X80	E-6-10	
BOLT, FLANGE, 10X80	E-19-28	
BOLT, FLANGE, 10X90	E-21-21	
BOLT, FLANGE, 12MM	E-5-15	
BOLT, FLANGE, 12X47	E-9-28	
BOLT, FLANGE, 12X83	E-3-20	
BOLT, FLANGE, 6X10	E-14-22	
BOLT, FLANGE, 6X12	E-6-14	
BOLT, FLANGE, 6X12	E-15-19	
BOLT, FLANGE, 6X12	F-2-30	
BOLT, FLANGE, 6X12	F-3-20-9	
BOLT, FLANGE, 6X12	F-7-3	
BOLT, FLANGE, 6X12	F-7-10-10	
BOLT, FLANGE, 6X12	F-7-20-7	
BOLT, FLANGE, 6X12	F-9-28	
BOLT, FLANGE, 6X14	E-4-9	
BOLT, FLANGE, 6X14	E-9-10-17	
BOLT, FLANGE, 6X14	E-9-20-20	
BOLT, FLANGE, 6X14	E-10-15	
BOLT, FLANGE, 6X14	E-14-21	
BOLT, FLANGE, 6X14	E-18-1-20	
BOLT, FLANGE, 6X14	F-2-28	
BOLT, FLANGE, 6X14(CT200)	E-3-22	
BOLT, FLANGE, 6X14(CT200)	E-9-10-14	
BOLT, FLANGE, 6X14(CT200)	F-7-10-9	
BOLT, FLANGE, 6X16	E-9-10-16	
BOLT, FLANGE, 6X16	E-9-20-18	
BOLT, FLANGE, 6X16	E-18-10-47	
BOLT, FLANGE, 6X16	E-19-24	
BOLT, FLANGE, 6X16	F-2-27	
BOLT, FLANGE, 6X16	F-9-25	
BOLT, FLANGE, 6X18	E-6-22	
BOLT, FLANGE, 6X18	F-2-29	
BOLT, FLANGE, 6X20	E-5-18	
BOLT, FLANGE, 6X20	E-9-34	
BOLT, FLANGE, 6X20	E-9-20-19	
BOLT, FLANGE, 6X20	E-9-20-27	
BOLT, FLANGE, 6X20	E-20-10-5	
BOLT, FLANGE, 6X20	F-2-31	
BOLT, FLANGE, 6X20	F-4-18	
BOLT, FLANGE, 6X20	F-7-20-8	
BOLT, FLANGE, 6X20	F-10-28	
BOLT, FLANGE, 6X22	E-4-10	
BOLT, FLANGE, 6X22	F-7-10-11	
BOLT, FLANGE, 6X22	F-8-10-23	
BOLT, FLANGE, 6X22	F-9-26	
BOLT, FLANGE, 6X23	F-10-24	
BOLT, FLANGE, 6X25	E-3-23	
BOLT, FLANGE, 6X25	E-5-17	
BOLT, FLANGE, 6X25	E-10-19	
BOLT, FLANGE, 6X25	E-18-21	
BOLT, FLANGE, 6X25	E-18-10-46	
BOLT, FLANGE, 6X25	F-9-24	
BOLT, FLANGE, 6X27	E-18-19	
BOLT, FLANGE, 6X28	E-9-10-15	
BOLT, FLANGE, 6X30	E-9-35	
BOLT, FLANGE, 6X32	E-9-20-28	
BOLT, FLANGE, 6X32	E-10-20	
BOLT, FLANGE, 6X38	E-9-10-20	
BOLT, FLANGE, 6X52	E-9-20-17	
BOLT, FLANGE, 8X100	E-6-13	
BOLT, FLANGE, 8X110	E-9-20-30	
BOLT, FLANGE, 8X18	F-7-10-12	
BOLT, FLANGE, 8X20	E-3-24	
BOLT, FLANGE, 8X20	E-19-25	
BOLT, FLANGE, 8X25	E-14-27	
BOLT, FLANGE, 8X28	E-19-26	
BOLT, FLANGE, 8X30	E-18-10-48	
BOLT, FLANGE, 8X30	F-9-23	
BOLT, FLANGE, 8X32	E-5-27	
BOLT, FLANGE, 8X35	E-3-25	
BOLT, FLANGE, 8X35	E-14-25	
BOLT, FLANGE, 8X35	F-10-56	
BOLT, FLANGE, 8X35	FOP-8-6-49	
BOLT, FLANGE, 8X45	E-14-26	
BOLT, FLANGE, 8X50	E-3-28	
BOLT, FLANGE, 8X50	E-10-16	
BOLT, FLANGE, 8X55	E-3-19	
BOLT, FLANGE, 8X55	E-10-10	
BOLT, FLANGE, 8X55	F-8-10-22	
BOLT, FLANGE, 8X60	E-15-20	
BOLT, FLANGE, 8X75	E-10-17	
BOLT, FLANGE, 8X90	E-9-20-29	
BOLT, FRICTION	FOP-8-6-29	
BOLT, FUEL PIPE	E-14-1	
BOLT, HEX.	F-11-32	
BOLT, HEX., 10X235	F-10-29	
BOLT, HEX., 12X119	F-10-31	
BOLT, HEX., 12X130	E-6-12	
BOLT, HEX., 12X130	F-10-	
BOLT, HEX., 12X225	F-3-20-11	
BOLT, HEX., 12X70	E-6-11	
BOLT, HEX., 4X20	FOP-12-7	
BOLT, HEX., 5X16	FOP-8-6-68	
BOLT, HEX., 6X12	F-4-17	
BOLT, HEX., 6X14	F-10-30	
BOLT, HEX., 6X50	F-3-20	
BOLT, OIL CHECK	F-3-12	
BOLT, RECESSED	F-11-29	
BOLT, SEALING, 14MM	E-9-3	
BOLT, SEALING, 18MM	E-5-7	
BOLT, SEALING, 20MM	E-3-2	
BOLT, SEALING, 20MM	E-5-1	
BOLT, SEALING, 20MM	E-9-20-21	
BOLT, SEALING, 22MM	E-3-26	
BOLT, SEALING, 22MM	E-5-19	
BOLT, SEALING, 28MM	E-3-3	
BOLT, SEALING, 6MM	E-18-10-44	
BOLT, SOCKET(A)	F-11-30	
BOLT, SOCKET(B)	F-11-31	
BOLT, SOCKET, 6X16	F-8-9	
BOLT, SOCKET, 6X20	F-8-7	
BOLT, SOCKET, 6X25	E-1-5	
BOLT, SOCKET, 6X25	E-20-3	
BOLT, SPECIAL ADJUSTER	E-19-23	
BOLT, SPECIAL, 6X17	F-8-20-14	
BOLT, SPECIAL, 6X220	FOP-9-2	
BOLT, SPECIAL, 6X31	E-9-10-18	
BOLT, SPECIAL, 8MM	E-5-14	
BOLT, STUD	E-19-8	
BOLT, STUD 2, 8X25	E-14-23	
BOLT, STUD, 10X55	F-9-27	
BOLT, STUD, 12X150	F-10-25	
BOLT, STUD, 8X32	E-14-24	
BOLT, TENSIONER	E-19-27	
BOLT, TENSIONER PIVOT	E-9-27	
BOLT-WASHER	E-19-13	
BOLT-WASHER, 10X30	E-10-11	
BOLT-WASHER, 10X32	F-3-13	
BOLT-WASHER, 10X40	F-3-15	
BOLT-WASHER, 11X155	E-9-20-15	
BOLT-WASHER, 11X95	E-3-21	
BOLT-WASHER, 16X49	E-7-15	
BOLT-WASHER, 5X30	E-15-18	
BOLT-WASHER, 6X25	E-13-5	
BOLT-WASHER, 6X25	E-15-17	
BOLT-WASHER, 6X27(CT200)	E-20-10-4	
BOLT-WASHER, 8X10	E-3-11	
BOLT-WASHER, 8X30	F-3-20-10	
BOLT-WASHER, 8X30	F-8-10-24	
BOLT-WASHER, 8X35	E-14-20	
BOLT-WASHER, 8X35	E-18-20	
BOLT-WASHER, 8X35	E-18-10-45	
BOLT-WASHER, 8X40	F-4-19	
BOLT-WASHER, 8X40	FOP-10-1-8	
BOSS, FLYWHEEL	E-5-13	
BOX ASSY., JUNCTION	F-7-20-1	
BOX ASSY., REMOTE CONTROL	FOP-8-6-1	
BOX ASSY., REMOTE CONTROL	FOP-8-6-	

BOX KIT, REMOTE CONTROL.....	FOP-8-1	CASE ASSY., ELECTRONIC PARTS.....	E-20-10-1	COLLAR, 8.5X14.5.....	E-18-10-52
BOX KIT, REMOTE CONTROL.....	FOP-8-2-1	CASE ASSY., GEAR(L).....	F-3-10-1	COLLAR, C.D.I. UNIT CASE.....	E-13-8
BOX KIT, REMOTE CONTROL.....	FOP-8-4-1	CASE ASSY., GEAR(XL).....	F-3-10-	COLLAR, C.D.I. UNIT CASE.....	E-15-22
BRACKET A, CABLE.....	F-2-21	CASE COMP., MOUNT.....	F-9-21	COLLAR, C.D.I. UNIT CASE.....	E-20-10-6
BRACKET A, COUPLER.....	F-7-10-1	CASE COMP., PUMP.....	E-18-10-27	COLLAR, C.D.I. UNIT CASE.....	F-7-10-17
BRACKET A, HARNESS CLIP.....	E-14-15	CASE COMP., SILENCER.....	E-15-5	COLLAR, CAMSHAFT.....	E-9-33
BRACKET ASSY.....	F-11-5	CASE, EXTENSION.....	F-3-20-	COLLAR, DISTANCE.....	F-4-34
BRACKET B, CABLE.....	F-7-10-6	CASE, EXTENSION(L).....	F-3-20-1	COLLAR, DISTANCE.....	FOP-10-1-11
BRACKET B, HARNESS CLIP.....	E-9-10-9	CASE, GEAR.....	F-3-3	COLLAR, DISTANCE(A).....	FOP-9-3
BRACKET C, HARNESS CLIP.....	E-9-10-10	CASE, OIL.....	E-6-1	COLLAR, DISTANCE(B).....	FOP-9-4
BRACKET COMP., A.C. GENERATOR.....	E-19-17	CASE, SWIVEL.....	F-10-9	COLLAR, DISTANCE, 6.5X11X7.5.....	F-9-4
BRACKET D, HARNESS CLIP.....	E-3-15	CHAIN(176L)(BORG WARNER).....	E-9-7	COLLAR, DISTANCE, 6.5X9X3.....	F-8-12
BRACKET E, HARNESS CLIP.....	E-15-9	CHAIN(62L).....	E-10-5	COLLAR, DISTANCE, 6.5X9X5.....	F-8-20-21
BRACKET F, CLIP.....	E-9-20-12	CIRCLIP, EXTERNAL, 14MM.....	F-5-28	COLLAR, DISTANCE, 6X10X43.5.....	FOP-8-6-67
BRACKET, BUZZER.....	FOP-6-1-14	CIRCLIP, EXTERNAL, 39MM.....	F-10-48	COLLAR, LINK JOINT.....	FOP-8-6-66
BRACKET, CLIP B.....	E-3-14	CIRCLIP, INTERNAL.....	F-11-34	COLLAR, LOWER CYLINDER.....	F-10-23
BRACKET, FR.....	E-21-10	CIRCLIP, INTERNAL, 40.....	F-3-20-16	COLLAR, LOWER MOUNTING.....	F-3-20-6
BRACKET, FR. UNDER COVER.....	F-8-10-5	CLAMP.....	F-6-5	COLLAR, ORIFICE.....	F-11-46
BRACKET, HOOK.....	F-8-3	CLAMP.....	F-6-8	COLLAR, SLIDING PLATE.....	FOP-8-6-16
BRACKET, L. SIDE COVER.....	F-8-10-7	CLAMP.....	FOP-1-2	COLLAR, STEERING ROD.....	F-10-53
BRACKET, L. STERN.....	F-10-13	CLAMP B, WATER TUBE.....	E-4-12	CONTROL UNIT, ELECTRONIC.....	E-20-10-3
BRACKET, LINK JOINT.....	FOP-8-6-19	CLAMP, 18.5MM.....	E-9-10-28	CORD ASSY., INDICATOR(20FT).....	FOP-6-4
BRACKET, NEUTRAL SWITCH.....	F-2-23	CLAMP, 18.5MM.....	E-13-7	CORD ASSY., INDICATOR(25FT).....	FOP-6-
BRACKET, R. SIDE COVER.....	F-8-10-6	CLAMP, ENGINE SUB CORD.....	F-7-30-3	CORD ASSY., INDICATOR(30FT).....	FOP-6-
BRACKET, R. STERN.....	F-10-12	CLAMP, FUEL HOSE.....	E-15-23	CORD COMP., EMERGENCY.....	FOP-6-1-9
BRACKET, RELAY.....	E-3-18	CLAMP, HARNESS.....	FOP-8-6-9	CORD COMP., EMERGENCY.....	FOP-8-6-42
BRACKET, REMOTE CONTROL.....	FOP-8-12	CLAMP, HOSE.....	E-18-12	COTTER, VALVE(FUJI VALVE).....	E-9-26
BRACKET, REMOTE CONTROL.....	FOP-8-2-13	CLAMP, HOSE.....	F-7-30-1	COVER ASSY.....	FOP-8-4-11
BRACKET, RR.....	E-21-11	CLAMP, PIPE.....	E-18-13	COVER ASSY., ENGINE.....	F-8-1
BRACKET, SENSOR CORD.....	E-15-10	CLAMP, POWER TILT CORD.....	FOP-8-6-31	COVER ASSY., OIL PATH.....	E-9-20-8
BRACKET, SHIFT LINK.....	F-2-19	CLAMP, PURGE HOSE.....	E-18-30	COVER B, TERMINAL.....	F-7-10-5
BRACKET, TILTING.....	F-10-17	CLAMP, TUBE(8.0).....	E-18-10-50	COVER B, TERMINAL(L).....	F-7-2
BRACKET, TROLLING CONTROL.....	FOP-12-4	CLAMP, TUBE(D10.5).....	E-4-10-8	COVER B, TERMINAL(L).....	F-7-10-4
BRACKET, WATER TUBE CLAMP.....	E-4-5	CLAMP, TUBE(D10.5).....	F-9-29	COVER COMP.....	E-18-10-6
BREAKER ASSY.....	F-11-1	CLAMP, TUBE(D10.5).....	F-9-31	COVER COMP., CYLINDER HEAD.....	E-1-1
BRUSH ASSY.....	F-11-2	CLAMP, TUBE(D10.7).....	E-18-22	COVER COMP., FUSE.....	F-7-20-2
BRUSH SET.....	E-21-7	CLAMP, TUBE(D12).....	E-18-1-22	COVER COMP., PLUG HOLE COIL.....	E-1-4
BRUSH SET.....	E-21	CLAMP, TUBE(D17).....	E-15-21	COVER, BEARING.....	E-19-5
BUFFER, PLATE.....	E-18-1-4	CLAMP, TUBE(D25.0).....	E-4-10-10	COVER, CHAIN CASE.....	E-9-10-2
BUSH A, COVER LOCK.....	F-2-25	CLAMP, TUBE(D32.5).....	E-4-10-9	COVER, DRAIN PLUG.....	F-8-20-8
BUSH A, COVER LOCK.....	F-8-10-11	CLAMP, WATER TUBE.....	E-4-10-11	COVER, DUAL GRIP.....	FOP-8-2-8
BUSH A, COVER LOCK.....	F-8-10-12	CLIP B1, TUBE.....	F-9-32	COVER, EX. MANIFOLD.....	E-4-3
BUSH B, COVER LOCK.....	F-8-10-13	CLIP(10.7MM).....	F-8-20-18	COVER, FLUSH VALVE.....	F-9-14
BUSH COMP., VERTICAL SHAFT.....	F-3-20-2	CLIP(14MM).....	FOP-13-12	COVER, FR. SEPARATE.....	F-8-20-6
BUSH, BLADE BRAKE.....	F-2-26	CLIP, BRAKE PIPE(A).....	F-2-24	COVER, GRIP.....	FOP-8-4-4
BUSH, INSULATION.....	E-19-20	CLIP, EMERGENCY LOCK.....	FOP-6-1-10	COVER, IMPELLER.....	F-4-5
BUSH, LOWER CYLINDER.....	F-11-25	CLIP, EMERGENCY LOCK.....	FOP-8-6-43	COVER, IMPELLER.....	FOP-10-1-5
BUSH, MOTOR CODE.....	F-11-19	CLIP, FUEL HOSE.....	E-18-25	COVER, L. ENGINE UNDER.....	F-8-20-10
BUSH, MOTOR CODE.....	FOP-13-8	CLIP, FUEL TUBE, 14.....	E-14-31	COVER, L. GRIP.....	FOP-8-5
BUSH, SWIVEL CASE.....	F-10-11	CLIP, FUEL TUBE, 14.....	F-7-10-15	COVER, L. GRIP.....	FOP-8-2-6
BUSH, SWIVEL CASE.....	F-11-10	CLIP, HARNESS.....	E-18-27	COVER, LOCK ARM.....	FOP-8-4-6
BUSH, TILT ARM.....	F-10-16	CLIP, HARNESS BAND(BLACK).....	E-3-40	COVER, OIL PUMP.....	E-5-4
BUTTON, THROTTLE.....	FOP-8-9	CLIP, HARNESS BAND(BLACK).....	F-7-6	COVER, PUMP(A).....	E-18-10-29
BUTTON, THROTTLE.....	FOP-8-2-10	CLIP, HARNESS BAND(BLACK).....	F-7-10-16	COVER, PUMP(B).....	E-18-10-28
BUTTON, THROTTLE.....	FOP-8-4-8	CLIP, HARNESS BAND(BLACK).....	FOP-11-6	COVER, R. ENGINE UNDER.....	F-8-20-9
BUZZER COMP., WARNING.....	FOP-6-1-13	CLIP, HARNESS BAND(NATURAL).....	E-4-17	COVER, RELIEF VALVE.....	F-9-18
BUZZER COMP., WARNING.....	FOP-8-6-46	CLIP, INJECTOR.....	E-14-3	COVER, STARTER TERMINAL.....	F-7-10-3
<C>		CLIP, MUDGUARD.....	F-8-20-19	COVER, THERMOSTAT.....	E-9-10-6
CABLE ASSY., REMOTE CONTROL(B) ...	FOP-8-6-34	CLIP, PISTON PIN.....	E-7-4	COVER, WATER JACKET.....	E-18-10-12
CABLE ASSY., STARTER.....	F-7-10-2	CLIP, SENSOR HOSE.....	E-18-18	CRANKCASE COMP.....	E-3-1
CABLE ASSY., SWITCH PANEL.....	FOP-6-9	CLIP, TUBE.....	E-18-1	CRANKSHAFT COMP.....	E-7-8
CABLE ASSY., SWITCH PANEL.....	FOP-6-	CLIP, TUBE.....	E-18-1-1	CUP SET, WATER SEPARATOR.....	E-18-1-3
CABLE ASSY., SWITCH PANEL.....	FOP-6-	CLIP, TUBE.....	F-9-2	CUP, FUEL STRAINER.....	E-18-1-14
CABLE COMP. A, COVER LOCK.....	F-8-10-8	CLIP, TUBE(B1 14.5).....	E-18-23	<D>	
CABLE COMP. B, COVER LOCK.....	F-8-10-9	CLIP, TUBE(B1 14.5).....	E-18-1-21	DAMPER, HOOK.....	F-8-4
CABLE SET, PANEL INDICATOR.....	FOP-6-2	CLIP, TUBE(B12).....	E-18-24	DOWEL PIN, 10X12.....	E-7-17
CABLE SET, PANEL INDICATOR.....	FOP-6-	CLIP, TUBE(B12).....	E-18-1-23	DOWEL PIN, 10X16.....	E-5-25
CABLE SET, PANEL INDICATOR.....	FOP-6-	CLIP, TUBE(B12).....	F-9-30	DOWEL PIN, 10X16.....	E-6-20
CAMSHAFT COMP., EX.....	E-9-4	CLIP, TUBE(B8).....	FOP-13-11	DOWEL PIN, 10X16.....	E-9-20-25
CAMSHAFT COMP., IN.....	E-9-1	CLIP, TUBE(BLACK)(135MM).....	E-18-29	DOWEL PIN, 13X14.....	E-3-34
CAP COMP., OIL TANK.....	F-11-28	CLIP, TUBE, 3.5.....	E-13-6	DOWEL PIN, 13X20.....	E-3-33
CAP, BOLT, 8MM.....	E-3-27	CLIP, WIRE HARNESS.....	F-7-5	DOWEL PIN, 14X20.....	E-5-26
CAP, GRIP.....	FOP-8-7	CLIP, WIRE HARNESS.....	F-8-20-20	DOWEL PIN, 14X20.....	E-6-21
CAP, GRIP.....	FOP-8-2-9	CLIP, WIRE HARNESS.....	F-10-49	DOWEL PIN, 14X20.....	E-9-20-26
CAP, HANDLE.....	FOP-8-6-5	CLIP, WIRE HARNESS(6.3MM).....	FOP-8-6-65	DOWEL PIN, 18X13.....	E-10-12
CAP, L. SIDE COVER.....	F-8-10-21	CLIP, WIRE HARNESS, 25MM.....	E-18-1-24	DOWEL PIN, 18X22.....	E-3-32
CAP, OIL(YELLOW).....	E-3-12	CLUTCH COMP., OVERRUNNING.....	E-21-2	DOWEL PIN, 4.2X10.3.....	E-9-32
CAP, REGULATOR.....	E-14-6	CLUTCH COMP., OVERRUNNING.....	E-21	DOWEL PIN, 6X10.....	E-6-19
CAP, SWITCH.....	FOP-8-8	COIL COMP., PLUG HOLE.....	E-20-1	DOWEL PIN, 6X10.....	F-3-18
CAP, WATER JOINT.....	F-8-20-1	COLLAR.....	E-18-10-23	DOWEL PIN, 6X10.....	F-3-20-17
CARTRIDGE, OIL FILTER.....	E-5-10	COLLAR.....	E-18-10-26	DOWEL PIN, 6X10.....	F-4-25
CASE ASSY., BALANCER HOLDER.....	E-10-1	COLLAR, 8.5X14.5.....	E-14-35	DOWEL PIN, 8X10.....	E-10-13
CASE ASSY., CHAIN.....	E-9-10-1	COLLAR, 8.5X14.5.....	E-18-28	DRIVER, SCREW(NO.2 + -).....	F-13-1

DUCT A, SILENCER	E-13-1	HANDLE, REMOTE CONTROL	FOP-8-4-3	LINKAGE, PIVOT	F-2-1
DUCT B, SILENCER	E-13-2	HANDLE, REMOTE CONTROL	FOP-8-6-2	LOCK COMP., FR.	F-8-10-19
<E>		HANGER B, ENGINE	E-19-1	LOCK COMP., SIDE	F-8-10-20
END COVER, RR.	E-19-19	HANGER, ENGINE	E-3-5	<M>	
END, NIPPLE	F-3-10	HARNES ASSY., MAIN WIRE	F-7-1	MANIFOLD COMP., EX.	E-4-2
END, NIPPLE	FOP-13-5	HARNES ASSY., REMOTE CONTROL	FOP-11-2	MANIFOLD COMP., INLET	E-14-14
E-RING, 10MM	F-4-35	HARNES ASSY., SWITCH PANEL	FOP-6-1-4	MARK, CAUTION(PICTOGRAPH)	F-12-7
E-RING, 12MM	F-2-51	HARNES COMP.	E-18-10-42	MARK, FAST IDLE	FOP-8-6-48
E-RING, 15MM	F-11-47	HARNES, TROLLING CONTROL	FOP-12-5	MARK, FLUSH MOUNT	FOP-8-4-19
E-RING, 3MM	FOP-8-6-77	HEAD KIT, CYLINDER	E-9-20-1	MARK, FR. ENBLEM(115)	F-12-4
E-RING, 4MM	F-2-49	HOLDER	E-18-10-11	MARK, HANDLE FLUSH MOUNT	FOP-8-4-18
E-RING, 4MM	FOP-8-6-78	HOLDER ASSY., BRUSH	E-19-2	MARK, L. SIDE STRIPE(BFT115A)	F-12-10
E-RING, 6MM	F-2-50	HOLDER COMP., BRUSH	E-21-9	MARK, R. SIDE STRIPE(BFT115A)	F-12-3
E-RING, 6MM	F-8-10-29	HOLDER COMP., BRUSH	E-21	MARK, REMOTE CONTROL(DUAL)	FOP-8-2-24
E-RING, 6MM	FOP-8-36	HOLDER, DRAIN TUBE	F-2-47	MARK, REMOTE CONTROL(SINGLE)	FOP-8-21
E-RING, 6MM	FOP-8-2-41	HOLDER, NEUTRAL LOCK	FOP-8-4-14	MARK, RR.(BFT115A)	F-12-2
E-RING, 6MM	FOP-8-4-28	HOLDER, OIL FILTER	E-5-16	METAL COMP., ANODE	F-3-9
E-RING, 7MM	FOP-8-6-79	HOLDER, PROPELLER SHAFT	F-5-10	METAL KIT, ANODE	F-10-1
<F>		HOLDER, SEAL	F-2-20	METAL, ANODE	E-4-1
FILTER ASSY., SPOOL VALVE	E-9-20-7	HOLDER, SHIFT ROD	F-4-11	METAL, BALANCER SHAFT(DAIDO)	E-10-8
FILTER ASSY., VTC	E-9-20-11	HOLDER, UPPER MOUNTING	F-10-7	METER LEAD WIRE	FOP-2-6
FILTER B.	F-11-17	HOSE	F-6-6	MOTOR ASSY., POWER TILT	F-11-4
FILTER COMP., ELECTRONIC AIR	E-14-16	HOSE	F-6-7	MOTOR ASSY., STARTER	E-21-1
FLANGE COMP., OIL FILTER	E-5-11	HOSE COMP., FUEL	E-18-6	MOUNT COMP., UPPER RUBBER	F-10-6
FLOAT SET	E-18-10-2	HOSE KIT, RIGGING	FOP-1-1	<N>	
FLYWHEEL COMP.	E-5-12	HOSE, PRESSURE REGULATOR	E-18-14	NIPPLE, GREASE	F-10-50
FRAME COMP., MOUNTING	F-10-5	HOUSING ASSY., L. INNER	FOP-8-3	NIPPLE, SENSOR	F-3-11
FUSE, BLOCK 100A(L TYPE)	F-7-20-3	HOUSING ASSY., L. INNER	FOP-8-2-3	NUT, ADJUSTER ROD	F-10-36
FUSE, MINI(10A)	F-7-20-10	HOUSING ASSY., R. INNER	FOP-8-2-4	NUT, CASTLE, 18MM	F-5-13
FUSE, MINI(15A)	F-7-20-11	HOUSING ASSY., R. INNER	FOP-8-4-2	NUT, CLIP	F-8-20-16
FUSE, MINI(30A)	F-7-20-12	HOUSING COMP., DUAL REMOTE	FOP-8-2-14	NUT, FLANGE CAP, 10MM	E-3-30
<G>		HOUSING COMP., REMOTE CONTROL	FOP-8-13	NUT, FLANGE CAP, 6MM	E-1-6
GASKET A, INJECTOR BASE	E-14-11	HOUSING COMP., REMOTE CONTROL	FOP-8-6-10	NUT, FLANGE, 10MM	F-10-37
GASKET B, IMPELLER	F-4-6	HOUSING COMP., REMOTE CONTROL	FOP-8-6-11	NUT, FLANGE, 12MM	F-3-20-13
GASKET B, IMPELLER	FOP-10-3	HOUSING, IMPELLER	F-4-3	NUT, FLANGE, 12MM	F-10-33
GASKET B, IMPELLER	FOP-10-1-6	HOUSING, IMPELLER	FOP-10-1-3	NUT, FLANGE, 5MM	FOP-6-1-2
GASKET COMP., CYLINDER HEAD	E-9-20-6	HOUSING, LEAD	FOP-8-14	NUT, FLANGE, 6MM	E-14-29
GASKET COMP., EX. MANIFOLD	E-4-4	HOUSING, LEAD	FOP-8-2-15	NUT, FLANGE, 8MM	E-14-28
GASKET, EX. GUIDE	F-9-6	HOUSING, LOWER CENTER MOUNTING	F-3-20-7	NUT, FLANGE, 8MM	E-19-29
GASKET, IDLE EX. PORT	F-9-8	HOUSING, LOWER MOUNTING	F-3-20-4	NUT, HEX., 12MM	F-10-54
GASKET, MOUNT CASE	E-6-8	HOUSING, REMOTE CONTROL BOX(C)	FOP-8-6-12	NUT, HEX., 16MM	F-8-20-17
GASKET, UPPER MOUNTING HOLDER	F-10-8	HOUSING, WATER SEAL	F-4-15	NUT, HEX., 16MM	FOP-6-1-16
GAUGE COMP., OIL LEVEL	E-6-5	<I>		NUT, HEX., 16MM	FOP-8-6-53
GEAR ASSY., INTERNAL	E-21-15	IMPELLER, PUMP	F-4-2	NUT, HEX., 18MM	F-4-21
GEAR ASSY., PLANETARY	E-21-3	IMPELLER, PUMP	FOP-10-2	NUT, HEX., 20MM	F-2-32
GEAR ASSY., INTERNAL	E-21-23	IMPELLER, PUMP	FOP-10-1-2	NUT, HEX., 4MM	FOP-12-8
GEAR COMP., BEVEL(FORWARD 30T)	F-5-7	INJECTOR ASSY., FUEL	E-14-2	NUT, HEX., 5MM	F-2-48
GEAR, BEVEL(RVS. 30T)	F-5-8	INSULATOR	E-18-10-31	NUT, HEX., 5MM	FOP-8-29
GEAR, PINION	F-4-16	INSULATOR COMP.	E-18-10-30	NUT, HEX., 5MM	FOP-8-35
GENERATOR ASSY., A.C.	E-19-15	<J>		NUT, HEX., 5MM	FOP-8-2-33
GRIP	F-13-2	JOINT A, BREATHER	FOP-13-2	NUT, HEX., 5MM	FOP-8-2-34
GRIP, REMOTE CONTROL HANDLE	FOP-8-6	JOINT ASSY (INLET)	F-6-2	NUT, HEX., 5MM	FOP-8-2-40
GRIP, REMOTE CONTROL HANDLE	FOP-8-2-7	JOINT ASSY (OUTLET)	F-6-3	NUT, HEX., 5MM	FOP-8-6-76
GRIP, REMOTE CONTROL HANDLE	FOP-8-6-4	JOINT SET	E-18-10-8	NUT, HEX., 6MM	E-19-31
GROMMET, ELECTRONIC PARTS CASE	E-20-10-2	JOINT, DRIVE	F-11-14	NUT, HEX., 6MM	F-8-14
GROMMET, EXTENSION CASE	F-4-12	JOINT, FOUR-WAY	E-4-10-6	NUT, HEX., 6MM	FOP-8-4-25
GROMMET, GEAR CASE	F-3-4	JOINT, FUEL PIPE	E-14-8	NUT, HEX., 6MM	FOP-8-6-54
GROMMET, POWER TILT SWITCH	F-8-20-4	JOINT, FUEL PIPE	E-14-9	NUT, HEX., 6MM	FOP-8-6-75
GROMMET, RELAY	F-7-10-8	JOINT, FUEL PIPE	E-18-10-38	NUT, HEX., 6MM	FOP-9-5
GROMMET, REMOTE CONTROL CABLE	F-8-10-2	JOINT, FUEL TUBE	E-4-10-2	NUT, LOCK, 64MM	F-4-20
GROMMET, SILENCER	E-15-6	JOINT, FUEL TUBE	E-18-1-19	NUT, PULLEY LOCK	E-19-7
GROMMET, SILENCER DUCT	E-15-7	JOINT, WATER HOSE	F-9-12	NUT, SELF-LOCK(25X2.0)	F-10-35
GROMMET, TA SENSOR	E-15-14	<K>		NUT, SELF-LOCK(3/8-24UNF)	F-10-38
GROMMET, UNDER CASE	E-13-4	KEY, 4.5X21	E-7-16	NUT, SELF-LOCK(7/8-14UNF)	F-10-34
GROMMET, UNDER CASE	E-15-15	KEY, WOODRUFF	F-4-24	NUT, SELF-LOCK, 5MM	F-3-17
GROMMET, UNDER CASE(C)	F-8-10-3	KEY, WOODRUFF	FOP-10-4	NUT, SELF-LOCK, 6MM	F-3-16
GROMMET, UNDER COVER	F-8-20-5	KEY, WOODRUFF	FOP-10-1-9	NUT, TAPPET ADJUSTING	E-9-30
GROMMET, VAPOR SEPARATOR	E-18-10-34	KIT, CABLE(NMEA)(6FT)	FOP-11-1	NUT, TAPPET ADJUSTING	E-9-31
GROMMET, VAPOR SEPARATOR	E-18-10-35	<L>		NUT, WATER MOUTH	F-9-11
GROMMET, WATER CHECK	F-8-20-13	LABEL, FUSE	F-12-1	NUT-WASHER, 5MM	E-19-30
GROMMET, WATER TUBE	E-6-6	LABEL, FUSE(EU)	F-12-	NUT-WASHER, 6MM	F-7-4
GUIDE COMP. B, CAM CHAIN	E-9-12	LABEL, OIL CAUTION(EF)	F-12-8	NUT-WASHER, 8MM	F-7-10-13
GUIDE COMP., BALANCER SHAFT	E-10-7	LAMP ASSY., INDICATION	FOP-8-6-44	<O>	
GUIDE COMP., CAM CHAIN	E-9-11	LAMP ASSY., INDICATION(4-LED)	FOP-6-1-11	OIL SEAL	F-11-35
GUIDE COMP., EX	F-9-5	LEVER SET	E-21-17	OIL SEAL, 14X26X6	F-2-44
GUIDE COMP., ROD	F-11-15	LEVER, COVER LOCK	F-8-10-10	OIL SEAL, 31X46X7(NOK)	E-5-21
GUIDE COMP., ROD	F-11-16	LEVER, HANDLE LOCK	FOP-8-6-3	OIL SEAL, 39.5X52X6(ARAI)	F-10-51
GUIDE, ENGINE COVER AIR	F-8-6	LEVER, IDLE	FOP-8-6-22	OIL SEAL, 43X58X7(ARAI)	E-9-10-22
GUIDE, EX. VALVE(OS)	E-9-20-3	LINE, FUEL	E-14-4	OIL SEAL, 46X60X9	E-5-20
GUIDE, IN. VALVE(OS)	E-9-20-2	LINER, PUMP	F-4-4	OIL SEAL, 80X98X10(ARAI)	E-3-35
<H>		LINER, PUMP	FOP-10-1-4	ORIFICE, LOWER BLOCK	E-3-4
HANDLE, REMOTE CONTROL	FOP-8-4	LINER, SWIVEL CASE	F-10-10	ORIFICE, OIL JET	E-3-8
HANDLE, REMOTE CONTROL	FOP-8-2-5	LINK, THROTTLE	F-2-3	O-RING	E-15-12

O-RING.....	E-18-1-5	PIPE COMP., OIL LEVEL.....	F-9-1	RING.....	E-18-10-32
O-RING.....	E-18-1-17	PIPE, HARNESS GUIDE.....	FOP-8-6-32	RING SET, PISTON(STD.).....	E-7-1
O-RING.....	E-18-10-13	PISTON A.....	E-7-2	RING, BACK UP.....	F-11-18
O-RING.....	E-18-10-14	PISTON B.....	E-7-	RING, CROSS PIN.....	F-5-3
O-RING.....	E-18-10-15	PISTON COMP., FREE.....	F-11-22	RING, INNER(15X20X23).....	F-2-43
O-RING.....	E-18-10-16	PIVOT, SHIFT.....	F-2-15	RING, STOPPER.....	F-2-11
O-RING.....	E-18-10-17	PIVOT, SHIFT.....	FOP-8-6-17	RING, WATER TUBE SEAL.....	F-4-8
O-RING.....	E-18-10-18	PIVOT, SHIFT SLIDE.....	F-2-16	RING, WATER TUBE SEAL.....	FOP-10-1-7
O-RING.....	E-18-10-19	PLATE.....	E-18-1-18	ROD COMP. A, SHIFT(L).....	F-2-10
O-RING SET, 3.5X31.7.....	F-11-43	PLATE.....	E-18-10-10	ROD COMP. A, SHIFT(XL).....	F-2-
O-RING, 1.8X69.6.....	F-11-37	PLATE COMP., SLIDING.....	FOP-8-6-15	ROD COMP., CONNECTING.....	E-7-6
O-RING, 1.8X7.7.....	F-11-39	PLATE COMP., THROTTLE.....	F-2-4	ROD COMP., PISTON.....	F-11-20
O-RING, 1.9X11.....	F-11-40	PLATE SET, TRANSOM(5.5MM FLAT).....	FOP-7-2	ROD COMP., PISTON.....	F-11-21
O-RING, 105X3.1.....	F-5-27	PLATE SET, TRIM ADJUST.....	FOP-7-1	ROD COMP., PISTON(B).....	F-11-13
O-RING, 11.5X3.5.....	F-9-35	PLATE, CABLE CLAMP.....	FOP-8-11	ROD COMP., SHIFT.....	F-4-9
O-RING, 13X1.5(ARAI).....	E-3-39	PLATE, CABLE CLAMP.....	FOP-8-2-12	ROD COMP., THROTTLE.....	F-2-2
O-RING, 15.54X2.26.....	F-10-52	PLATE, CRANK PULSER.....	E-7-13	ROD, ADJUSTING.....	F-10-14
O-RING, 15X1.9.....	E-9-10-27	PLATE, DWELL.....	FOP-8-15	ROD, STEERING.....	F-10-21
O-RING, 15X1.9.....	E-9-20-22	PLATE, DWELL.....	FOP-8-2-16	ROLLER, 3X12.8.....	F-5-25
O-RING, 15X1.9.....	E-9-20-23	PLATE, DWELL.....	FOP-8-4-10	ROLLER, 5X8.....	E-5-28
O-RING, 16MM.....	F-9-34	PLATE, HANDLE.....	FOP-8-10	ROLLER, CLICK.....	FOP-8-6-64
O-RING, 2.0X70.5.....	F-11-36	PLATE, HANDLE.....	FOP-8-2-11	ROTOR ASSY.....	E-19-16
O-RING, 20.6X2.6.....	E-6-18	PLATE, LEVER SETTING.....	FOP-8-6-8	ROTOR COMP.....	E-21-5
O-RING, 22.5X2.4.....	E-5-22	PLATE, LOCK.....	F-2-17	ROTOR, INNER OIL PUMP.....	E-5-8
O-RING, 25X2.4(NOK).....	F-2-46	PLATE, REMOTE CONTROL.....	FOP-8-6-47	ROTOR, OUTER OIL PUMP.....	E-5-9
O-RING, 26X2.7.....	E-3-36	PLATE, REMOTE CONTROL CABLE.....	F-2-5	RUBBER B, STAND STOPPER.....	F-8-20-23
O-RING, 3.5X35.7.....	F-11-41	PLATE, RUBBER SETTING.....	F-3-1	RUBBER COMP., LOWER MOUNT.....	F-3-20-5
O-RING, 3.5X38.7.....	F-11-38	PLATE, SHIFT.....	F-5-6	RUBBER, FR. CARRIER CUSHION.....	E-14-19
O-RING, 3.5X41.7.....	F-11-42	PLATE, SHIFT PIVOT.....	F-2-14	RUBBER, MOUNT CASE SEAL.....	F-9-22
O-RING, 33.2X2.4(NOK).....	E-18-26	PLATE, SPEED SENSOR TUBE.....	FOP-13-7	RUBBER, OIL PUMP.....	E-6-3
O-RING, 37X2.4.....	E-4-15	PLATE, SPRING SETTING.....	FOP-8-6-23	RUBBER, TROLLING CONTROL.....	FOP-12-2
O-RING, 55.6X3.5.....	F-4-31	PLATE, STEERING.....	F-10-19	<S>	
O-RING, 58.5X3.5.....	F-4-33	PLATE, STEERING.....	F-10-20	SCREEN COMP., FUEL STRAINER.....	E-18-10-40
O-RING, 59.4X3.1.....	E-21-22	PLATE, TDC PULSE.....	E-9-2	SCREEN, L. WATER.....	F-3-7
O-RING, 6.5X1.5.....	E-3-37	PLATE, WATER TUBE.....	E-6-7	SCREEN, R. WATER.....	F-3-6
O-RING, 6.9X1.45.....	F-3-19	PLATE, WINKER BUZZER.....	FOP-6-1-12	SCREW.....	E-19-9
O-RING, 7.45X3.61(NOK).....	E-14-34	PLATE, WINKER BUZZER.....	FOP-8-6-45	SCREW.....	E-19-12
O-RING, 7.47X3.6.....	E-14-33	PLUG, INNER CONNECTOR.....	FOP-6-1-5	SCREW SET.....	E-15-1
O-RING, 7.8X1.9(ARAI).....	E-14-32	PLUG, INNER CONNECTOR.....	FOP-8-6-35	SCREW SET, DRAIN.....	E-18-10-7
O-RING, 7.8X1.9(ARAI).....	E-18-10-51	PLUG, INNER CONNECTOR.....	FOP-11-3	SCREW, 6X95.....	FOP-8-6-52
O-RING, 76.4X3.1.....	E-4-13	PLUG, OUTER CONNECTOR.....	FOP-6-1-6	SCREW, FLAT, 5X12.....	FOP-8-6-51
O-RING, 79.8X3.1.....	E-4-14	PLUG, OUTER CONNECTOR.....	FOP-8-6-36	SCREW, FLAT, 6X16.....	E-5-23
O-RING, 9.5X1.5(HONDA KIKAKI).....	E-9-10-25	PLUG, OUTER CONNECTOR.....	FOP-11-4	SCREW, OVAL, 5X50.....	F-3-21
O-RING, 9.5X1.9.....	E-3-38	PLUG, SPARK(KZFR6K-11).....	E-20-	SCREW, PAN.....	E-18-10-21
O-RING, 9.5X1.9.....	E-4-16	PLUG, SPARK(KJ20DR-M11).....	E-20-4	SCREW, PAN, 4X10.....	FOP-8-26
O-RING, 9.5X1.9.....	E-9-10-26	PLUG, SPARK(KSKJ20DR-M11).....	E-20-	SCREW, PAN, 4X10.....	FOP-8-2-29
O-RING, CHAIN CASE.....	E-9-10-23	PLUG, SPARK(ZFR6K-11).....	E-20-	SCREW, PAN, 5X10.....	FOP-8-23
O-RING, THERMOSTAT COVER.....	F-9-20	PLUG, TDC HOLE.....	E-9-20-14	SCREW, PAN, 5X10.....	FOP-8-2-26
O-RING, WATER PUMP.....	F-4-32	PLUG, VTC HOLE.....	E-9-20-9	SCREW, PAN, 5X10.....	FOP-8-6-69
O-RING, WATER PUMP.....	FOP-10-5	PORT, IDLE EXHAUST.....	F-9-7	SCREW, PAN, 5X12.....	E-18-1-13
O-RING, WATER PUMP.....	FOP-10-1-10	PRIMER BULB.....	F-6-4	SCREW, PAN, 5X16.....	FOP-8-22
<P>		PRIMER BULB ASSY.....	F-6-1	SCREW, PAN, 5X16.....	FOP-8-2-25
PACKING.....	E-21-16	PROPELLER COMP., THREE BLADES.....	F-5-11	SCREW, PAN, 5X16.....	FOP-8-4-20
PACKING.....	F-11-45	PROPELLER COMP., THREE BLADES.....	F-5-	SCREW, PAN, 5X18.....	E-15-16
PACKING, CHAIN CASE.....	E-9-10-24	PROPELLER COMP., THREE BLADES.....	F-5-	SCREW, PAN, 5X18.....	FOP-8-25
PACKING, CYLINDER HEAD COVER.....	E-1-2	PROPELLER COMP., THREE BLADES.....	F-5-	SCREW, PAN, 5X18.....	FOP-8-2-28
PACKING, DUAL.....	FOP-8-2-19	PROPELLER COMP., THREE BLADES.....	F-5-	SCREW, PAN, 5X20.....	FOP-8-24
PACKING, ELECTRONIC AIR.....	E-14-18	PROPELLER COMP., THREE BLADES.....	F-5-	SCREW, PAN, 5X20.....	FOP-8-2-27
PACKING, FLASH VALVE.....	F-9-19	PROPELLER COMP., THREE BLADES.....	F-5-	SCREW, PAN, 5X30.....	FOP-8-4-22
PACKING, INTAKE MANIFOLD.....	E-14-12	PROPELLER COMP., THREE BLADES.....	F-5-	SCREW, PAN, 5X40.....	FOP-6-1-15
PACKING, OIL PAN.....	E-6-2	PROPELLER COMP., THREE BLADES.....	F-5-	SCREW, PAN, 5X40.....	FOP-8-28
PACKING, OIL PUMP BODY.....	E-5-3	PROPELLER COMP., THREE BLADES.....	F-5-	SCREW, PAN, 5X40.....	FOP-8-2-31
PACKING, SINGLE.....	FOP-8-18	PROPELLER COMP., THREE BLADES.....	F-5-	SCREW, PAN, 5X55.....	FOP-8-2-32
PACKING, THERMOSTAT COVER.....	E-9-10-7	PROPELLER COMP., THREE BLADES.....	F-5-	SCREW, PAN, 5X65.....	FOP-8-34
PACKING, THERMOSTAT SPACER.....	E-9-10-8	PULLER, MINI FUSE.....	F-7-20-4	SCREW, PAN, 5X65.....	FOP-8-2-39
PACKING, THROTTLE BODY.....	E-14-13	PULLEY.....	E-19-6	SCREW, PAN, 5X8.....	E-21-20
PANEL ASSY., TROLLING CONTROL.....	FOP-12-6	PULLEY, CRANKSHAFT.....	E-7-14	SCREW, PAN, 6X10.....	FOP-8-6-50
PANEL KIT, SWITCH(4-LED).....	FOP-6-1-1	PUMP ASSY.....	F-11-12	SCREW, PAN, 6X18.....	E-4-18
PANEL KIT, SWITCH(4-LED) (EU).....	FOP-6-1-	PUMP ASSY., FUEL.....	E-18-5	SCREW, PAN, 6X18.....	FOP-8-27
PANEL, CONTROL.....	FOP-6-1-3	PUMP ASSY., OIL.....	E-5-2	SCREW, PAN, 6X18.....	FOP-8-2-30
PANEL, CONTROL.....	FOP-6-1-	PUMP KIT, IMPELLER.....	FOP-10-1	SCREW, PAN, 6X22.....	E-21
PIN A, DOWEL, 12X16.....	E-10-14	PUMP KIT, IMPELLER.....	FOP-10-1-1	SCREW, PAN, 6X22(SPECIAL).....	E-21-19
PIN, 6X6.....	FOP-8-6-63	PUMP UNIT, FUEL.....	E-18-10-4	SCREW, PAN, 6X25.....	F-8-20-22
PIN, LINK.....	F-2-38	PUMP UNIT, FUEL(B).....	E-18-10-9	SCREW, PAN, 6X35.....	FOP-8-4-23
PIN, LINK.....	F-2-40	<R>		SCREW, PAN, 6X8.....	F-3-20-12
PIN, LOCK, 6MM.....	FOP-8-6-62	RECEIVER, THRUST.....	F-10-22	SCREW, PAN, 6X8.....	F-11-33
PIN, PISTON.....	E-7-3	RECTIFIER ASSY.....	E-19-21	SCREW, PAN, 6X8.....	FOP-13-9
PIN, SHIFT LINK.....	F-2-39	REGULATOR ASSY.....	E-19-22	SCREW, RIVET, 5X10.....	F-8-20-15
PIN, SHIFTER, 8X47.....	F-5-2	REGULATOR ASSY., PRESSURE.....	E-14-5	SCREW, RIVET, 5X10.....	FOP-13-10
PIN, SNAP, 12MM.....	F-2-41	RELAY ASSY., FUEL PUMP(DENS0).....	F-7-20-5	SCREW, TAPPET ADJUSTING.....	E-9-20
PIN, SPLIT, 40.....	F-5-19	RELAY ASSY., POWER TILT.....	F-7-10-7	SCREW, TAPPET ADJUSTING.....	E-9-21
PIN, SPRING, 2.5X20.....	F-10-55	RELAY ASSY., POWER(12V-20A).....	F-7-20-6	SCREW, TAPPING.....	FOP-1-3
PIN, UPPER CYLINDER.....	F-11-26	RETAINER, VALVE SPRING.....	E-9-24	SCREW, TAPPING, 4X12.....	F-8-13

SCREW, TAPPING, 5X10	FOP-8-6-71	SPACER, THERMOSTAT COVER	E-9-10-5	TUBE B, AIR VENT	E-18-3
SCREW, TAPPING, 5X12	FOP-8-6-72	SPRING COMP., CLICK	F-10-2	TUBE B, FUEL	E-18-11
SCREW, TAPPING, 5X20	E-13-9	SPRING, ACCELERATOR WHEEL	FOP-8-6-21	TUBE B, WATER RELIEF	E-4-10-5
SCREW, TAPPING, 5X25	FOP-8-6-74	SPRING, AIR FLOW TUBE	E-15-3	TUBE C, FUEL	E-18-1-7
SCREW, TAPPING, 5X8	FOP-8-6-70	SPRING, CHOKE RETURN	FOP-8-6-25	TUBE COMP. A, FUEL	E-18-1-6
SCREW, TAPPING, 6X16	FOP-8-6-73	SPRING, CLICK	F-2-9	TUBE COMP. B, FUEL	E-18-7
SCREW, TAPPING, 6X30	FOP-8-4-24	SPRING, CLICK ASSIST.	F-10-3	TUBE COMP. C, AIR VENT	E-18-2
SCREW, TRUSS, 4X12	FOP-8-4-21	SPRING, COVER LOCK HOOK	F-8-10-14	TUBE COMP. E, FUEL	E-18-1-10
SCREW, WASHER	E-18-10-22	SPRING, COVER LOCK HOOK	F-8-10-15	TUBE COMP. E, WATER	E-4-10-7
SCREW-WASHER	E-18-10-20	SPRING, EX. VALVE(GRAY)	E-9-23	TUBE COMP., AIR VENT	E-18-4
SCREW-WASHER	E-19-10	SPRING, FLUSH VALVE	F-9-15	TUBE COMP., WATER RELIEF	E-4-10-3
SCREW-WASHER, 4X25	E-19-11	SPRING, IN. VALVE(PINK)	E-9-22	TUBE D, FUEL	E-18-8
SCREW-WASHER, 5X15	F-7-20-9	SPRING, LOCK ADJUSTER	F-8-5	TUBE D, FUEL	E-18-1-9
SEAL A, COVER UNDER	F-8-20-11	SPRING, LOCK LEVER RETURN	F-8-10-16	TUBE F, FUEL	E-18-10-39
SEAL A, VALVE STEM(ARAI)	E-9-20-4	SPRING, MOTOR	F-11-8	TUBE F, WATER	F-9-10
SEAL A, VALVE STEM(NOK)	E-9-20-	SPRING, NEUTRAL LOCK ARM	FOP-8-4-7	TUBE G, WATER	E-18-16
SEAL B, COVER UNDER	F-8-20-12	SPRING, RELIEF VALVE	E-5-6	TUBE KIT, SPEED SENSOR	FOP-13-1
SEAL B, VALVE STEM(ARAI)	E-9-20-5	SPRING, REMOTE CONTROL HANDLE	FOP-8-6-7	TUBE, 12X740	E-15-25
SEAL B, VALVE STEM(NOK)	E-9-20-	SPRING, SET	E-18-10-41	TUBE, 5X140	F-3-22
SEAL, ENGINE COVER	F-8-2	SPRING, SHIFT	F-5-5	TUBE, 5X270	F-3-
SEAL, FR. SEPARATE COVER	F-8-20-7	SPRING, SHIFT CLICK	FOP-8-6-24	TUBE, 5X950	FOP-13-13
SEAL, PLUG HOLE	E-20-2	SPRING, SHIFT ROD	F-4-10	TUBE, 7X120	E-4-10-14
SEAL, SPARK PLUG TUBE(NOK)	E-1-3	SPRING, SILENCER DUCT GROMMET	E-15-8	TUBE, 7X160	F-9-38
SEAL, WATER	F-11-44	SPROCKET COMP., CHAIN DRIVE	E-7-12	TUBE, 7X200	F-9-39
SEAL, WATER(14X26X8)	F-2-45	SPROCKET, CAM CHAIN DRIVEN	E-9-5	TUBE, 7X40	F-9-37
SEAL, WATER, 12X21X6	F-4-30	SPROCKET, CAM CHAIN DRIVEN IN	E-9-6	TUBE, 7X75	E-4-10-12
SEAL, WATER, 22X35X7	F-9-33	SPROCKET, DRIVEN(17T)	E-10-4	TUBE, 7X90	E-4-10-13
SEAL, WATER, 23X36X6	F-4-29	STAY A, PLATE	E-18-10-3	TUBE, FUEL, 3.5X430	E-18-31
SEAL, WATER, 23X36X8	F-4-28	STAY, A.C. GENERATOR	E-19-18	TUBE, FUEL, 8X300	F-9-36
SEAL, WATER, 30X45X7	F-5-26	STAY, FUEL STRAINER	E-18-1-15	TUBE, OIL	E-4-10-1
SEAT, VALVE SPRING	E-9-25	STAY, PLATE	E-18-10-36	TUBE, PRESSURE REGULATOR	E-14-7
SEAT, WATER MOUTH	F-9-13	STAY, POWER TILT SWITCH	F-8-20-3	TUBE, SPEED SENSOR	FOP-13-6
SENSOR ASSY., AIR TEMP	E-15-13	STAY, VAPOR SEPARATOR	E-18-10-37	TUBE, SPIRAL	F-11-3
SENSOR ASSY., CRANK	E-9-10-13	STOPPER SET, SLEEVE	E-21-8	TUBE, SPIRAL	FOP-13-4
SENSOR ASSY., KNOCK	E-3-13	STOPPER SET, SLEEVE	E-21	TUBE, VINYL, 4X7X160	E-15-24
SENSOR ASSY., MAP	E-15-11	STOPPER(TOOL)	E-9-9	TUBE, WATER RELIEF	F-9-9
SENSOR ASSY., TDC	E-9-20-13	STOPPER, TILT	F-10-18	TUBE, WATER(L)	F-4-7
SENSOR ASSY., TRIM ANGLE	F-10-4	STRAINER ASSY., VTC	E-9-20-10	TUBE, WATER(XL)	F-4-
SENSOR ASSY., WATER	E-3-16	STRAINER COMP., FUEL	E-18-1-11	<V>	
SENSOR ASSY., WATER	E-4-7	STRAINER COMP., OIL	E-6-4	VALVE ASSY., ELECTRONIC AIR	E-14-17
SENSOR ASSY., WATER	E-9-10-11	STRAINER, FUEL	E-18-1-12	VALVE ASSY., RELIEF	F-9-16
SENSOR ASSY., WATER	E-9-10-12	STRAINER, FUEL PUMP	E-18-9	VALVE COMP., MANUAL	F-11-23
SENSOR, LAF	E-4-6	SUB HARNESS ASSY., POWER	FOP-8-19	VALVE COMP., RESERVOIR	F-11-24
SENSOR, OIL PRESSURE	E-3-17	SUB HARNESS ASSY., POWER	FOP-8-2-20	VALVE SET, FLOAT	E-18-10-1
SEPARATOR ASSY., VAPOR	E-18-10-33	SUB HARNESS ASSY., POWER	FOP-8-2-21	VALVE, CHECK	E-18-17
SEPARATOR ASSY., WATER	E-18-1-2	SUB HARNESS ASSY., POWER	FOP-8-4-16	VALVE, EX	E-9-19
SHAFT ASSY., CLUTCH	E-21-13	SUSPENSION, STRAINER	E-18-10	VALVE, FLASH	F-9-17
SHAFT ASSY., CLUTCH	E-21	SUSPENSION, STRAINER	E-18-1-16	VALVE, IN	E-9-18
SHAFT ASSY., GEAR	E-21-14	SWITCH ASSY., COMBINATION	FOP-6-1-7	VALVE, RELIEF	E-5-5
SHAFT ASSY., GEAR	E-21	SWITCH ASSY., COMBINATION	FOP-8-6-38	<W>	
SHAFT COMP. A, SHIFT	F-2-12	SWITCH ASSY., EMERGENCY STOP	FOP-6-1-8	WASHER	F-2-35
SHAFT COMP. B, SHIFT	F-2-18	SWITCH ASSY., EMERGENCY STOP	FOP-8-6-41	WASHER, 10MM	F-10-42
SHAFT COMP., FR. BALANCER	E-10-2	SWITCH ASSY., MAGNET	E-21-12	WASHER, 26MM	F-3-20-14
SHAFT COMP., RR. BALANCER	E-10-3	SWITCH ASSY., MAGNET	E-21	WASHER, 28MM	FOP-8-6-61
SHAFT, COVER OPEN	F-8-10-17	SWITCH ASSY., NEUTRAL	F-2-22	WASHER, 6MM	FOP-8-6-59
SHAFT, EX. ROCKER	E-9-16	SWITCH ASSY., POWER TILT	F-8-20-2	WASHER, DRAIN PLUG, 12MM	E-6-17
SHAFT, FR. LOCK	F-8-10-18	SWITCH ASSY., POWER TRIM-TILT	FOP-8-20	WASHER, DRAIN PLUG, 20MM	E-5-24
SHAFT, IN. ROCKER	E-9-15	SWITCH ASSY., POWER TRIM-TILT	FOP-8-2-22	WASHER, DRAIN PLUG, 20MM	E-9-20-24
SHAFT, PROPELLER	F-5-9	SWITCH ASSY., POWER TRIM-TILT	FOP-8-2-23	WASHER, HEAD COVER	E-1-7
SHAFT, THROTTLE BUTTON	FOP-8-4-9	SWITCH ASSY., POWER TRIM-TILT	FOP-8-4-17	WASHER, LOCK, 5MM	FOP-8-30
SHAFT, TILTING	F-10-15	SWITCH ASSY., POWER TRIM-TILT	FOP-8-6-39	WASHER, LOCK, 5MM	FOP-8-2-35
SHAFT, VERTICAL(L)	F-4-13	SWITCH ASSY., TROLLING CONTROL	FOP-12-1	WASHER, LOCK, 5MM	FOP-8-4-26
SHAFT, VERTICAL(XL)	F-4-	<T>		WASHER, LOCK, 6MM	FOP-8-32
SHIFTER, CLUTCH	F-5-1	TAB, TRIM	F-3-8	WASHER, LOCK, 6MM	FOP-8-2-37
SHIM A, BEVEL(0.10)	F-5-17	TACHOMETER HOUR METER (BLACK)	FOP-2-4	WASHER, PIVOT	F-2-7
SHIM A, GEAR(0.10)	F-4-23	TANK, OIL	F-11-27	WASHER, PIVOT	F-4-1
SHIM B, BEVEL(0.15)	F-5-	TENSIONER ASSY., CAM CHAIN	E-9-8	WASHER, PLAIN	E-18-10-24
SHIM B, GEAR(0.15)	F-4-	TENSIONER COMP., BALANCER	E-10-6	WASHER, PLAIN	E-18-10-25
SHIM C, BEVEL(0.30)	F-5-	TERMINAL, CABLE	FOP-8-16	WASHER, PLAIN, 10MM	F-5-18
SHIM C, GEAR(0.30)	F-4-	TERMINAL, CABLE	FOP-8-2-17	WASHER, PLAIN, 10MM	F-8-10-26
SHIM D, BEVEL(0.50)	F-5-	TERMINAL, CABLE	FOP-8-4-12	WASHER, PLAIN, 10MM	F-10-43
SHIM D, GEAR(0.50)	F-4-	THERMOSTAT ASSY.	E-9-10-3	WASHER, PLAIN, 10MM	F-10-47
SLIDER, SHIFT	F-5-4	THERMOSTAT ASSY.	E-9-10-4	WASHER, PLAIN, 12MM	E-6-16
SLINGER, OIL	F-4-14	THROTTLE BODY ASSY.	E-15-2	WASHER, PLAIN, 12MM	F-2-34
SPACER KIT, REMOTE CONTROL BOX	FOP-8-2	TIE, CABLE	FOP-11-5	WASHER, PLAIN, 12MM	F-3-20-15
SPACER KIT, REMOTE CONTROL BOX	FOP-8-2-2	TIE, CABLE(NATURAL)(2.4X92)	FOP-6-12	WASHER, PLAIN, 12MM	F-4-22
SPACER, CABLE CLAMP	FOP-8-17	TIE, CABLE(NATURAL)(2.4X92)	FOP-8-6-37	WASHER, PLAIN, 12MM	F-8-11
SPACER, CABLE CLAMP	FOP-8-2-18	T-JOINT	E-18-15	WASHER, PLAIN, 12MM	F-10-44
SPACER, CABLE CLAMP	FOP-8-4-13	T-JOINT	F-9-3	WASHER, PLAIN, 12MM	F-10-45
SPACER, CABLE CLAMP	FOP-8-6-33	TRIM METER ASSY (BLACK)	FOP-2-1	WASHER, PLAIN, 12MM	F-10-46
SPACER, CLICK SPRING	FOP-8-6-27	TRIM-TILT ASSY., POWER	F-11-11	WASHER, PLAIN, 4MM	FOP-8-6-55
SPACER, NEUTRAL SWITCH	FOP-8-6-30	TUBE A, WATER RELIEF	E-4-10-4	WASHER, PLAIN, 5MM	FOP-6-1-18
SPACER, REMOTE CONTROL BOX	FOP-8-6-26	TUBE ASSY. D, FUEL	E-18-1-8	WASHER, PLAIN, 5MM	FOP-8-31

WASHER, PLAIN, 5MM	FOP-8-33
WASHER, PLAIN, 5MM	FOP-8-2-36
WASHER, PLAIN, 5MM	FOP-8-2-38
WASHER, PLAIN, 5MM	FOP-8-6-56
WASHER, PLAIN, 5MM	FOP-8-6-57
WASHER, PLAIN, 6MM	F-2-36
WASHER, PLAIN, 6MM	F-8-10
WASHER, PLAIN, 6MM	FOP-8-4-27
WASHER, PLAIN, 6MM	FOP-8-6-58
WASHER, PLAIN, 8MM	F-2-37
WASHER, PLAIN, 8MM	F-7-10-14
WASHER, PLAIN, 8MM	F-8-10-25
WASHER, PLAIN, 8MM	F-8-10-28
WASHER, PLAIN, 8MM	FOP-8-6-60
WASHER, PROPELLER	F-5-16
WASHER, PROPELLER THRUST.....	F-5-14
WASHER, SEALING(22MM)	E-3-7
WASHER, SEALING, 28MM	E-3-31
WASHER, SEALING, 6MM.....	E-18-10-49
WASHER, SHIFT SHAFT.....	F-2-33
WASHER, SPRING, 4MM.....	FOP-12-9
WASHER, SPRING, 5MM.....	FOP-6-1-19
WASHER, THRUST	E-7-10
WASHER, THRUST	E-9-17
WASHER, THRUST BEARING	F-5-15
WASHER, THRUST, 34MM	F-10-41
WASHER, WAVE, 10MM	F-8-10-27
WASHER, WAVE, 26MM	F-10-40
WASHER, WAVE, 40MM	F-10-39
WHEEL, ACCELERATOR.....	FOP-8-6-20
WHEEL, CONTROL	FOP-8-6-13
WIRE, LEAD(1.5X116MM)	F-11-9
WIRE, LEAD(1.5X137MM)	F-3-20-3
WRENCH, EYE, 19MM	F-13-11
WRENCH, HEX., 6MM	F-13-6
WRENCH, PLUG.....	F-13-5
<Y>	
YOKE ASSY.....	F-11-7
YOKE COMP.	E-21-4

INDEX (Parts Number)

332-70201-0	F-6-8	HCO-94301-10160	E-9-20-25	HMN5-17195-000	F-9-3	HPNA-90042-003	E-9-29
3C7-70211-1	F-6-4	HCO-94301-12160	E-10-14	HMR5-16966-000	E-18-1-19	HPNA-90703-300	E-9-32
3C7-70217-0	F-6-5	HCO-94301-14200	E-5-26	HMT8-18334-770	FOP-6-1-2	HPNA-90704-000	E-7-16
3C7-70220-1	F-6-2	HCO-94301-14200	E-6-21	HMV1-16959-000	E-4-10-2	HPNA-90715-000	E-3-34
3C7-70224-1	F-6-3	HCO-94301-14200	E-9-20-26	HMV5-91005-601	F-5-20	HPNA-91214-014	E-3-35
3PU-72537-0	FOP-2-6	HCO-94305-25203	F-10-55	HMZ5-16952-000	E-18-11	HPNA-91302-003	E-14-34
3PV-72571-0	FOP-2-1	HCO-94510-14000	F-5-28	HP01-91212-003	E-5-21	HPNA-91302-004	E-9-10-23
3PV-72637-0	FOP-2-4	HCO-94540-03029	FOP-8-6-77	HP0X-91321-003	F-2-46	HPNA-91307-003	E-3-38
3T1-70200-1	F-6-1	HCO-94540-04029	F-2-49	HP2A-37881-000	E-15-14	HPNA-91307-003	E-4-16
98AB-701600	F-6-7	HCO-94540-04029	FOP-8-6-78	HP5A-13115-000	E-7-4	HPNA-91307-003	E-9-10-26
98AB-70-700	F-6-6	HCO-94540-06029	F-2-50	HP64-31141-003	E-19-6	HPNA-91333-003	E-9-10-27
H121-51640-730	E-14-19	HCO-94540-06029	F-8-10-29	HP8A-13204-A01	E-7-5	HPNA-91333-003	E-9-20-23
H341-38403-672	FOP-6-1-12	HCO-94540-06029	FOP-8-36	HPA9-91317-003	E-18-26	HPNB-37500-003	E-9-10-13
H341-38403-672	FOP-8-6-45	HCO-94540-06029	FOP-8-2-41	HPC6-15233-000	E-5-7	HPNB-37510-003	E-9-20-13
H460-89221-840	F-13-6	HCO-94540-06029	FOP-8-4-28	HPC6-90715-000	E-3-33	HPNC-91212-004	E-9-10-22
H538-89102-000	F-13-1	HCO-94540-07029	FOP-8-6-79	HPC6-91324-000	E-6-18	HPNE-14631-000	E-9-15
H538-89103-000	F-13-2	HCO-94540-10019	F-4-35	HPCX-12342-004	E-1-3	HPP4-90009-E01	E-18-10-44
H723-90472-000	F-4-22	HCO-94540-12029	F-2-51	HPCX-90017-013	E-7-15	HPPA-13210-000	E-7-6
H750-90628-000	FOP-13-12	HCO-94540-15029	F-11-47	HPD1-31138-004	E-19-5	HPPA-13310-000	E-7-8
H759-16911-003	E-18-9	HCO-95001-35430-40	E-18-31	HPD1-31142-004	E-19-7	HPPA-14520-003	E-9-10
H763-75538-C01	F-2-26	HCO-95001-80300-40	F-9-36	HPD1-31148-004	E-19-11	HPPA-14530-003	E-9-11
H763-90681-A01	F-10-49	HCO-95003-07016-31	E-15-24	HPD1-90231-014	E-19-30	HPR3-91319-003	E-3-39
H800-91303-000	F-9-34	HCO-95005-12740-20	E-15-25	HPD6-90430-003	E-18-10-49	HPR4-11106-013	E-3-3
H805-91301-000	E-3-36	HCO-95005-50140-30	F-3-22	HPE0-15231-000	E-5-5	HPR4-90401-000	E-3-31
H881-90105-000	F-4-17	HCO-95005-50270-30	F-3-	HPE0-90703-000	E-3-32	HPRA-15290-000	E-3-10
H881-90110-000	F-10-30	HCO-95005-50950-30	FOP-13-13	HPE9-31145-941	E-19-8	HPRB-14721-A00	E-9-19
H921-15611-000	E-3-12	HCO-95005-70040-30	F-9-37	HPE9-31152-942	E-19-13	HPRB-15280-A00	E-3-9
H921-17936-000	F-2-7	HCO-95005-70075-30	E-4-10-12	HPFB-30522-007	E-20-2	HPSA-36454-003	E-14-16
H921-17936-000	F-4-1	HCO-95005-70090-30	E-4-10-13	HPG6-15232-000	E-5-6	HPT0-14744-004	E-9-21
H921-90302-000	F-8-20-17	HCO-95005-70120-30	E-4-10-14	HPGK-37835-A01	E-15-12	HPT0-14775-000	E-9-25
H921-90302-000	FOP-6-1-16	HCO-95005-70160-30	F-9-38	HPH1-90015-013	E-5-16	HPT0-31147-003	E-19-10
H921-90302-000	FOP-8-6-53	HCO-95005-70200-30	F-9-39	HPH3-90011-000	E-5-15	HPT0-90206-004	E-9-31
H921-90504-010	F-8-10	HCO-95011-62000	F-8-20-23	HPJ7-31111-013	E-19-3	HPT2-91005-N01	F-5-21
H921-90504-010	FOP-8-6-58	HCO-95701-06014-08	E-10-15	HPJ7-31114-013	E-19-4	HPY3-17249-000	E-15-3
H921-90511-000	F-10-43	HCO-95701-06018-09	E-6-22	HPJ7-31146-003	E-19-9	HPY3-31215-004	E-21-3
H921-90512-010	FOP-8-6-59	HCO-95701-06020-08	E-9-34	HPJ7-91309-010	F-9-35	HPY3-31218-004	E-21-6
H921-90518-000	F-2-37	HCO-95701-06020-08	E-9-20-27	HPK1-32742-003	F-7-30-3	HPZ1-12210-003	E-9-20-4
H921-90518-000	F-8-10-28	HCO-95701-06030-08	E-9-35	HPK2-91307-005	E-9-10-25	HPZ1-12210-004	E-9-20
H921-90518-000	FOP-8-6-60	HCO-95701-06032-08	E-9-20-28	HPKC-37880-004	E-15-13	HPZ1-12211-003	E-9-20-5
H921-90602-000	FOP-13-11	HCO-95701-08032-08	E-5-27	HPKC-91301-000	E-14-33	HPZ1-12211-004	E-9-20
H952-32901-770	FOP-6-12	HCO-95701-08050-08	E-10-16	HPM3-90206-004	E-9-30	HPZ1-31105-003	E-19-2
H952-32901-770	FOP-8-6-37	HCO-95701-08075-08	E-10-17	HPNA-11106-300	E-3-2	HPZ1-31149-003	E-19-12
HCO-92101-04020-4J	FOP-12-7	HCO-95701-08090-08	E-9-20-29	HPNA-11135-000	E-3-4	HPZ1-31153-003	E-19-14
HCO-92101-05016-4J	FOP-8-6-68	HCO-95701-08110-08	E-9-20-30	HPNA-12204-305	E-9-20-2	HR40-14401-A01	E-9-7
HCO-92101-06050-4J	F-3-20	HCO-95701-10105-08	E-10-18	HPNA-12205-305	E-9-20-3	HR40-14633-A00	E-9-16
HCO-93500-05010-4J	FOP-8-6-69	HCO-95701-10110-09	E-6-23	HPNA-12341-000	E-1-2	HR40-15115-A01	E-10-8
HCO-93500-05065-4J	FOP-8-34	HCO-95801-08035-09	F-10-56	HPNA-13111-010	E-7-3	HRAA-13620-A02	E-7-12
HCO-93500-05065-4J	FOP-8-2-39	HCO-96211-07000	F-5-29	HPNA-13321-003	E-7-9	HRAA-14620-A00	E-9-13
HCO-93500-06018-4J	E-4-18	HCO-96211-09000	F-5-30	HPNA-13322-003	E-7-	HRAA-14624-A00	E-9-14
HCO-93500-06025-4J	F-8-20-22	HCO-96220-50080	E-5-28	HPNA-13323-003	E-7-	HRAA-14647-A00	E-9-17
HCO-93600-06016-0A	E-5-23	HCO-96300-06025-00	E-10-19	HPNA-13324-003	E-7-	HRAA-14765-A00	E-9-24
HCO-93700-05050-4J	F-3-21	HCO-96300-06032-00	E-10-20	HPNA-13325-003	E-7-	HRAA-15815-A02	E-9-20-7
HCO-93901-250J0	FOP-8-6-70	HCO-9807B-5615P	E-20-4	HPNA-13326-003	E-7-	HRAA-15845-A01	E-9-20-11
HCO-93901-251J0	FOP-8-6-71	HCO-9807B-5615W	E-20-	HPNA-13341-003	E-7-11	HRAD-13410-010	E-10-2
HCO-93901-252J0	FOP-8-6-72	HCO-9807B-5617P	E-20-	HPNA-13342-003	E-7-	HRAD-13420-010	E-10-3
HCO-93903-254G0	E-13-9	HCO-9807B-5617W	E-20-	HPNA-13343-003	E-7-	HRGM-14781-A01	E-9-26
HCO-93903-262J0	FOP-8-6-73	HCO-98200-41000	F-7-20-10	HPNA-13344-003	E-7-	HRNA-37260-A01	E-3-17
HCO-93905-255J0	FOP-8-6-74	HCO-98200-41500	F-7-20-11	HPNA-13345-003	E-7-	HRNA-37830-A01	E-15-11
HCO-93913-142J0	F-8-13	HCO-98200-43000	F-7-20-12	HPNA-13346-003	E-7-	HRRA-30520-007	E-20-1
HCO-94001-04490-05	FOP-12-8	HCO-99006-19000	F-13-11	HPNA-13432-000	E-10-4	HRTA-15400-004	E-5-10
HCO-94001-05490-05	F-2-48	HCO-99008-02300	F-13-12	HPNA-13441-004	E-10-5	HRWC-14540-A02	E-9-12
HCO-94001-05490-05	FOP-8-35	HGE1-17357-670	FOP-13-2	HPNA-13450-004	E-10-6	HS0A-91541-003	E-3-40
HCO-94001-05490-05	FOP-8-2-40	HGEV-90650-003	E-14-30	HPNA-13460-004	E-10-7	HS0A-91541-003	F-7-6
HCO-94001-06080-05	E-19-31	HGHB-16163-610	E-18-1	HPNA-13622-003	E-7-13	HS0A-91541-003	F-7-10-16
HCO-94001-06490-05	FOP-8-6-75	HGHB-16163-610	F-9-2	HPNA-14114-003	E-9-2	HS0A-90683-003	E-18-1-24
HCO-94001-06490-05	FOP-9-5	HHC4-90653-900	F-8-20-19	HPNA-14115-000	E-9-3	HSB2-90687-003	E-14-31
HCO-94001-12490-05	F-10-54	HHM0-91305-A00	E-4-15	HPNA-14210-000	E-9-5	HSB2-90687-003	F-7-10-15
HCO-94002-05490-05	FOP-8-6-76	HJK2-90683-003	F-8-20-20	HPNA-14511-003	E-9-9	HSB6-91475-000	FOP-8-6-65
HCO-94002-06490-05	F-8-14	HKM3-32161-003	F-3-2	HPNA-14711-000	E-9-18	HSC2-90649-003	FOP-6-1-17
HCO-94103-05400	FOP-6-1-18	HKM3-32161-003	FOP-13-3	HPNA-14744-004	E-9-20	HSDA-39794-004	F-7-20-5
HCO-94109-20000	E-5-24	HKV7-17368-671	E-18-13	HPNA-14762-003	E-9-23	HSE0-53740-953	E-18-18
HCO-94109-20000	E-9-20-24	HMB0-91359-000	F-4-33	HPNA-17055-004	E-14-11	HSE0-91547-003	E-18-27
HCO-94111-04500	FOP-12-9	HMG9-35701-950	F-8-10-1	HPNA-90003-000	E-9-27	HSF1-91595-003	E-15-23
HCO-94111-05400	FOP-6-1-19	HMG9-35701-950	FOP-8-6-40	HPNA-90004-000	E-10-9	HSH3-91599-A32	E-18-30
HCO-94301-06100	E-6-19	HMJ0-91301-003	E-14-32	HPNA-90005-003	E-9-20-15	HSM4-32134-003	F-7-30-2
HCO-94301-08100	E-10-13	HMJ0-91301-003	E-18-10-51	HPNA-90006-003	E-3-21	HSM4-91558-003	E-18-29
HCO-94301-10120	E-7-17	HMM4-90105-000	FOP-8-6-50	HPNA-90011-003	E-9-20-16	HSP0-91546-A01	E-9-10-28
HCO-94301-10160	E-5-25	HMM8-90501-610	F-8-10-25	HPNA-90031-004	E-10-11	HSP0-91546-A01	E-13-7
HCO-94301-10160	E-6-20	HMM8-90502-610	F-8-10-26	HPNA-90032-000	E-9-28	HSTK-91540-003	FOP-11-6

HSV1-91549-L01	F-2-47	HZV5-41171-000	FOP-13-5	HZW1-50311-070ZC	F-10-13	HZW5-15331-003	E-5-8
HSV4-91540-003	E-4-17	HZV5-41172-000	F-3-11	HZW1-50527-000	F-10-17	HZW5-15341-003	E-5-9
HSZ5-91531-003	E-13-6	HZV5-50214-003	F-11-10	HZW1-50529-000	F-10-18	HZW5-16081-010	E-18-10-20
HVD6-91360-003	E-5-22	HZV5-50522-000	F-10-16	HZW1-53234-010	F-10-19	HZW5-16086-000	E-18-10-23
HVMO-16965-771	E-18-12	HZV5-56117-821	F-11-18	HZW1-53238-010	F-10-21	HZW5-16087-000	E-18-10-24
HVMO-16965-771	F-7-30-1	HZV5-56118-820	F-11-19	HZW1-56110-701	F-11-13	HZW5-16708-003	E-18-10-28
HVMO-46391-003	F-2-24	HZV5-56513-000	F-11-25	HZW1-56113-701	F-11-14	HZW5-16715-023	E-18-10-29
HZB5-90626-730	F-8-20-18	HZV5-90081-010	E-3-26	HZW1-56115-305	F-11-15	HZW5-16733-000	E-18-10-34
HZC0-63515-700	F-8-10-21	HZV5-90081-010	E-5-19	HZW1-56116-701	F-11-17	HZW5-16915-000	E-18-10
HZE2-16731-003	E-18-1-1	HZV5-90119-000	F-3-20-12	HZW1-56120-305	F-11-20	HZW5-24810-U01	FOP-8-3
HZE2-90601-000	E-6-17	HZV5-90119-000	F-11-33	HZW1-56130-702	F-11-22	HZW5-24810-U01	FOP-8-2-3
HZH8-87522-W41	F-12-7	HZV5-90119-000	FOP-13-9	HZW1-56180-701	F-11-24	HZW5-24810-U11	FOP-8-2-4
HZV0-90604-000	E-18-24	HZV5-90125-000	FOP-8-6-52	HZW1-56516-000	F-10-22	HZW5-24811-U01	FOP-8-4
HZV0-90604-000	E-18-1-23	HZV5-90127-003	F-8-20-15	HZW1-56532-000	F-11-26	HZW5-24811-U01	FOP-8-2-5
HZV0-90604-000	F-9-30	HZV5-90127-003	FOP-13-10	HZW1-56539-000	F-10-23	HZW5-24812-U01	FOP-8-5
HZV1-24210-010	F-10-2	HZV5-90131-000	E-6-15	HZW1-56851-703	F-11-27	HZW5-24812-U01	FOP-8-2-6
HZV1-90127-010	E-15-20	HZV5-90302-003	E-2-32	HZW1-56860-701	F-11-28	HZW5-24813-U01	FOP-8-6
HZV3-90601-030	E-15-21	HZV5-90304-013	F-10-34	HZW1-90013-000	E-13-5	HZW5-24813-U01	FOP-8-2-7
HZV4-24221-010	F-10-3	HZV5-90307-003	F-10-38	HZW1-90013-000	E-15-17	HZW5-24813-U21	FOP-8-2-8
HZV4-36182-651	FOP-6-1-9	HZV5-90501-000	F-10-39	HZW1-90014-000	E-14-20	HZW5-24814-U01	FOP-8-7
HZV4-36182-651	FOP-8-6-42	HZV5-90502-000	F-10-40	HZW1-90014-000	E-18-20	HZW5-24814-U01	FOP-8-2-9
HZV4-36187-652	FOP-6-1-10	HZV5-90504-000	F-10-41	HZW1-90014-000	E-18-10-45	HZW5-24815-U01	FOP-8-8
HZV4-36187-652	FOP-8-6-43	HZV5-90552-000	F-10-44	HZW1-90102-000	F-10-26	HZW5-24816-U01	FOP-8-9
HZV4-90302-000	F-3-17	HZV5-90557-000	FOP-8-6-61	HZW1-90105-000	F-10-27	HZW5-24816-U01	FOP-8-2-10
HZV4-90304-000	FOP-8-6-54	HZV5-90559-000	E-6-16	HZW1-90106-004	E-21-19	HZW5-24816-U01	FOP-8-4-8
HZV4-90502-000	FOP-8-31	HZV5-90559-000	F-10-45	HZW1-90107-004	E-21-20	HZW5-24817-U01	FOP-8-10
HZV4-90502-000	FOP-8-2-36	HZV5-90559-000	F-10-46	HZW1-90108-000	F-10-29	HZW5-24817-U01	FOP-8-2-11
HZV4-90502-000	FOP-8-6-57	HZV5-90563-000	F-5-18	HZW1-90113-702	F-11-29	HZW5-24818-U01	FOP-8-11
HZV4-90512-000	F-2-36	HZV5-90563-000	F-10-47	HZW1-90114-702	F-11-30	HZW5-24818-U01	FOP-8-2-12
HZV4-90514-000	F-10-42	HZV5-90651-000	F-10-48	HZW1-90115-702	F-11-31	HZW5-24819-U01	FOP-8-12
HZV5-12155-000	E-4-1	HZV5-90751-000	FOP-8-6-62	HZW1-90116-702	F-11-32	HZW5-24819-U01	FOP-8-2-13
HZV5-12214-000	E-3-7	HZV5-90756-000	F-3-18	HZW1-90203-000	F-7-10-13	HZW5-24820-U01	FOP-8-13
HZV5-16881-000	E-18-8	HZV5-90756-000	F-3-20-17	HZW1-90242-000	F-4-20	HZW5-24820-U21	FOP-8-2-14
HZV5-17202-310	F-9-4	HZV5-90756-000	F-4-25	HZW1-90301-800	F-5-13	HZW5-24825-U01	FOP-8-14
HZV5-17838-000	F-2-1	HZV5-90772-000	FOP-8-6-63	HZW1-90304-013	F-10-35	HZW5-24825-U01	FOP-8-2-15
HZV5-24811-010	FOP-8-6-2	HZV5-91151-000	FOP-8-6-64	HZW1-90501-710	F-3-20-14	HZW5-24826-U01	FOP-8-15
HZV5-24812-000	FOP-8-6-3	HZV5-91203-821	F-11-35	HZW1-90518-800	F-4-23	HZW5-24826-U01	FOP-8-2-16
HZV5-24813-000	FOP-8-6-4	HZV5-91256-003	F-10-51	HZW1-90519-800	F-4	HZW5-24826-U01	FOP-8-4-10
HZV5-24814-010	FOP-8-6-5	HZV5-91302-821	F-11-37	HZW1-90520-800	F-4	HZW5-24831-U01	FOP-8-16
HZV5-24815-010	FOP-8-6-6	HZV5-91316-821	F-11-38	HZW1-90521-800	F-4	HZW5-24831-U01	FOP-8-2-17
HZV5-24816-000	FOP-8-6-7	HZV5-91352-000	F-10-52	HZW1-90559-000	F-3-20-15	HZW5-24831-U01	FOP-8-4-12
HZV5-24817-000	FOP-8-6-8	HZV5-91553-010	E-13-8	HZW1-90651-710	F-3-20-16	HZW5-24832-U01	FOP-8-17
HZV5-24818-003	FOP-8-6-9	HZV5-91553-010	E-15-22	HZW1-90652-702	F-11-34	HZW5-24832-U01	FOP-8-2-18
HZV5-24820-010	FOP-8-6-10	HZV5-91553-010	E-20-10-6	HZW1-90752-B02	F-4-24	HZW5-24832-U01	FOP-8-4-13
HZV5-24830-010	FOP-8-6-11	HZV5-91553-010	F-7-10-17	HZW1-90752-B02	FOP-10-4	HZW5-24834-U01	FOP-8-18
HZV5-24836-000	FOP-8-6-12	HZV5-91560-000	F-10-53	HZW1-90752-B02	FOP-10-1-9	HZW5-24834-U21	FOP-8-2-19
HZV5-24841-000	FOP-8-6-13	HZV5-91567-000	FOP-8-6-66	HZW1-90758-800	F-5-19	HZW5-31217-003	E-21-5
HZV5-24845-000	FOP-8-6-14	HZV5-91570-000	FOP-8-6-67	HZW1-91054-B31	F-4-27	HZW5-31631-003	E-19-16
HZV5-24850-000	FOP-8-6-15	HZV7-90508-000	F-2-35	HZW1-91101-003	F-5-25	HZW5-31639-003	E-19-19
HZV5-24854-000	FOP-8-6-16	HZV7-90951-010	F-10-50	HZW1-91207-013	F-11-36	HZW5-31644-003	E-19-20
HZV5-24855-000	FOP-8-6-17	HZW1-06411-020	F-10-1	HZW1-91352-702	F-11-39	HZW5-31710-003	E-19-21
HZV5-24860-000	FOP-8-6-18	HZW1-12217-010	E-5-1	HZW1-91353-703	F-11-40	HZW5-32168-003	E-18-10-43
HZV5-24865-000	FOP-8-6-19	HZW1-15665-020	F-9-1	HZW1-91354-701	F-11-41	HZW5-35370-U02	FOP-8-20
HZV5-24875-000	FOP-8-6-20	HZW1-19210-B04	F-4-2	HZW1-91355-701	F-11-42	HZW5-35370-U02	FOP-8-2-22
HZV5-24876-000	FOP-8-6-21	HZW1-19210-B04	FOP-10-2	HZW1-91356-800	F-4-32	HZW5-35370-U12	FOP-8-2-23
HZV5-24878-000	FOP-8-6-22	HZW1-19210-B04	FOP-10-1-2	HZW1-91356-800	FOP-10-5	HZW5-35673-003	E-9-10-11
HZV5-24881-000	FOP-8-6-23	HZW1-19223-B00	F-4-4	HZW1-91356-800	FOP-10-1-10	HZW5-50151-000	F-10-6
HZV5-24883-000	FOP-8-6-24	HZW1-19223-B00	FOP-10-1-4	HZW1-91357-701	F-11-43	HZW5-50155-000	F-3-20-5
HZV5-24884-000	FOP-8-6-25	HZW1-19252-000	E-6-6	HZW1-91358-701	F-11-44	HZW5-50341-010	F-10-14
HZV5-24885-000	FOP-8-6-26	HZW1-19253-B01	F-4-8	HZW1-91361-701	F-11-45	HZW5-53234-010	F-10-20
HZV5-24887-000	FOP-8-6-27	HZW1-19253-B01	FOP-10-1-7	HZW1-91554-000	E-14-35	HZW5-90002-013	E-5-14
HZV5-24891-000	FOP-8-6-28	HZW1-19286-B00	F-3-1	HZW1-91554-000	E-18-28	HZW5-90011-010	E-19-23
HZV5-24892-000	FOP-8-6-29	HZW1-24102-B00	F-5-2	HZW1-91554-000	E-18-10-52	HZW5-90018-000	E-5-18
HZV5-24894-000	FOP-8-6-30	HZW1-24103-B00	F-5-3	HZW1-91557-701	F-11-46	HZW5-90018-000	E-9-20-19
HZV5-24895-000	FOP-8-6-31	HZW1-24327-000	F-2-11	HZW2-90003-000	E-20-10-4	HZW5-90018-000	E-20-10-5
HZV5-24897-000	FOP-8-6-32	HZW1-31229-004	E-21-8	HZW2-90301-F00	E-14-29	HZW5-90018-000	F-7-20-8
HZV5-24898-000	FOP-8-6-33	HZW1-31247-004	E-21-15	HZW4-90108-000	FOP-8-6-51	HZW5-90021-U00	FOP-9-2
HZV5-32823-003	FOP-6-1-5	HZW1-31249-004	E-21-16	HZW4-90126-000	E-14-26	HZW5-90101-000	F-10-25
HZV5-32823-003	FOP-8-6-35	HZW1-31250-004	E-21-17	HZW4-90151-000	E-14-27	HZW5-90101-U00	FOP-8-2-2
HZV5-32823-003	FOP-11-3	HZW1-31261-004	E-21-18	HZW4-90156-000	E-3-28	HZW5-90101-U00	FOP-8-2-25
HZV5-32824-003	FOP-6-1-6	HZW1-38551-000	F-7-10-8	HZW4-90162-000	E-3-29	HZW5-90101-U00	FOP-8-4-20
HZV5-32824-003	FOP-8-6-36	HZW1-40107-700	F-8-10-3	HZW4-90162-000	E-9-10-21	HZW5-90102-U00	FOP-8-23
HZV5-32824-003	FOP-11-4	HZW1-40204-000	F-4-12	HZW4-90163-000	E-19-28	HZW5-90102-U00	FOP-8-2-26
HZV5-35370-823	FOP-8-6-39	HZW1-40210-710	F-3-20-2	HZW4-90164-000	E-21-21	HZW5-90103-U01	FOP-8-24
HZV5-36104-821	F-11-3	HZW1-41102-B00	F-3-4	HZW4-90170-000	E-4-11	HZW5-90103-U01	FOP-8-2-27
HZV5-36136-821	F-11-8	HZW1-41109-B00	F-3-9	HZW4-90306-003	F-10-37	HZW5-90104-U00	FOP-8-25
HZV5-36180-033	FOP-6-1-8	HZW1-41116-B00	F-4-14	HZW4-90401-000	FOP-8-6-55	HZW5-90104-U00	FOP-8-2-28
HZV5-36180-033	FOP-8-6-41	HZW1-50111-010ZC	F-3-20-4	HZW4-90402-000	FOP-8-6-56	HZW5-90105-U01	FOP-8-26
HZV5-38410-003	FOP-6-1-13	HZW1-50156-010	F-3-20-6	HZW4-91301-003	F-3-19	HZW5-90105-U01	FOP-8-2-29
HZV5-38410-003	FOP-8-6-46	HZW1-50161-020ZC	F-3-20-7	HZW5-06241-U00	FOP-8-2	HZW5-90106-U00	FOP-8-27
HZV5-40102-000	E-13-4	HZW1-50201-040ZC	F-10-9	HZW5-06241-U10	FOP-8-2-2	HZW5-90106-U00	FOP-8-2-30
HZV5-40102-000	E-15-15	HZW1-50214-000	F-10-11	HZW5-06900-U00	FOP-9-1	HZW5-90107-U00	FOP-8-28
HZV5-41171-000	F-3-10	HZW1-50301-070ZC	F-10-12	HZW5-15113-000	E-6-3	HZW5-90107-U00	FOP-8-2-31

HZW5-90108-U00 FOP-8-2-32
 HZW5-90109-000 FOP-6-1-15
 HZW5-90203-010 E-19-29
 HZW5-90301-U00 FOP-8-29
 HZW5-90301-000 FOP-8-2-33
 HZW5-90302-003 F-3-20-13
 HZW5-90302-003 F-10-33
 HZW5-90302-U21 FOP-8-2-34
 HZW5-90303-000 F-4-21
 HZW5-90304-000 F-10-36
 HZW5-90501-000 F-2-33
 HZW5-90501-U00 FOP-8-30
 HZW5-90501-000 FOP-8-2-35
 HZW5-90501-U00 FOP-8-4-26
 HZW5-90502-U00 FOP-8-32
 HZW5-90502-U00 FOP-8-2-37
 HZW5-90503-U00 FOP-8-33
 HZW5-90503-U00 FOP-8-2-38
 HZW5-90509-711 F-5-15
 HZW5-90511-U00 FOP-9-3
 HZW5-90512-U00 FOP-9-4
 HZW5-90601-030 E-18-22
 HZW5-90602-030 E-18-1-22
 HZW5-91056-003 F-5-24
 HZW5-91201-003 E-5-20
 HZW5-91202-003 F-9-33
 HZW5-91251-003 F-2-44
 HZW7-24810-U01 FOP-8-4-2
 HZW7-24811-U01 FOP-8-4-3
 HZW7-24812-U01 FOP-8-4-4
 HZW7-24813-U01 FOP-8-4-5
 HZW7-24814-U01 FOP-8-4-6
 HZW7-24815-U01 FOP-8-4-7
 HZW7-24817-U01 FOP-8-4-9
 HZW7-24830-U01 FOP-8-4-11
 HZW7-24832-U01 FOP-8-4-14
 HZW7-24833-U01 FOP-8-4-15
 HZW7-32530-U00 FOP-8-19
 HZW7-32530-U00 FOP-8-2-20
 HZW7-32530-U10 FOP-8-2-21
 HZW7-32530-U20 FOP-8-4-16
 HZW7-35370-U02 FOP-8-4-17
 HZW7-87701-U01 FOP-8-4-18
 HZW7-87703-U00 FOP-8-4-19
 HZW7-90101-U01 FOP-8-4-21
 HZW7-90102-U01 FOP-8-4-22
 HZW7-90103-U01 FOP-8-4-23
 HZW7-90104-U01 FOP-8-4-24
 HZW7-90301-U01 FOP-8-4-25
 HZW7-90502-U00 FOP-8-4-27
 HZW9-19279-000 F-9-15
 HZW9-19291-000 F-9-17
 HZW9-19297-000 F-9-19
 HZW9-19317-000 F-9-20
 HZW9-32114-730 E-3-14
 HZW9-87702-800 FOP-8-6-48
 HZW9-90008-000 FOP-8-6-49
 HZW9-90009-000 F-10-24
 HZW9-90011-000 E-3-22
 HZW9-90011-000 E-9-10-14
 HZW9-90011-000 F-7-10-9
 HZW9-90013-000 F-7-3
 HZW9-90013-000 F-7-10-10
 HZW9-90013-000 F-7-20-7
 HZW9-90016-000 E-3-23
 HZW9-90016-000 E-5-17
 HZW9-90016-000 E-18-21
 HZW9-90016-000 E-18-10-46
 HZW9-90016-000 F-9-24
 HZW9-90101-003 F-3-12
 HZW9-90102-000 E-6-14
 HZW9-90102-000 F-2-30
 HZW9-90103-010 F-3-20-9
 HZW9-90105-000 F-2-31
 HZW9-90105-000 F-4-18
 HZW9-90105-000 F-10-28
 HZW9-90154-000 F-10-32
 HZW9-90506-000 F-8-10-27
 HZX1-17110-003 E-14-14
 HZX1-32100-020 F-7-1
 HZX1-34750-023 E-20-10-3
 HZX1-50100-000 F-10-5
 HZX1-63100-R00ZA F-8-1
 HZX1-87121-R00 F-12-2
 HZX1-87132-R00 F-12-3
 HZX1-87133-R00 F-12-10
 HZX1-90101-R00 F-8-7
 HZX2-41107-C00ZC F-3-8
 HZX2-90129-000 F-10-
 HZY1-90205-000 F-3-16
 HZY1-90650-003 FOP-11-5
 HZY3-06177-U02 FOP-1-1
 HZY3-16011-000 E-18-10-1
 HZY3-16013-000 E-18-10-2
 HZY3-16024-000 E-18-10-7
 HZY3-16026-000 E-18-10-8
 HZY3-16041-000 E-18-10-10
 HZY3-16042-000 E-18-10-11
 HZY3-16061-000 E-18-10-12
 HZY3-16072-000 E-18-10-13
 HZY3-16073-000 E-18-10-14
 HZY3-16074-000 E-18-10-15
 HZY3-16075-000 E-18-10-16
 HZY3-16076-000 E-18-10-17
 HZY3-16077-000 E-18-10-18
 HZY3-16078-000 E-18-10-19
 HZY3-16082-000 E-18-10-21
 HZY3-16083-000 E-18-10-22
 HZY3-16087-000 E-18-10-25
 HZY3-16088-000 E-18-10-26
 HZY3-16721-000 E-18-10-31
 HZY3-16733-000 E-18-10-35
 HZY3-16752-000 E-14-8
 HZY3-16752-000 E-18-10-38
 HZY3-16807-003 E-18-1-4
 HZY3-16818-003 E-18-1-5
 HZY3-16900-003 E-18-1-11
 HZY3-16901-003 E-18-1-12
 HZY3-16904-003 E-18-1-13
 HZY3-16911-010 E-18-10-40
 HZY3-16912-003 E-18-1-14
 HZY3-16913-000 E-18-10-41
 HZY3-16915-010 E-18-1-16
 HZY3-16918-003 E-18-1-17
 HZY3-16919-003 E-18-1-18
 HZY3-17748-U01 FOP-1-2
 HZY3-17749-U01 FOP-1-3
 HZY3-19270-000 F-9-11
 HZY3-19271-000 F-9-12
 HZY3-19272-000 F-9-13
 HZY3-19300-023 E-9-10-3
 HZY3-23173-010 F-9-22
 HZY3-24318-000 F-4-10
 HZY3-24618-000 F-2-15
 HZY3-24619-000 F-2-17
 HZY3-30280-003 F-11-1
 HZY3-31106-003 F-11-2
 HZY3-31116-000 E-5-13
 HZY3-31207-003 E-21-2
 HZY3-31246-003 E-21-14
 HZY3-32128-000 E-15-10
 HZY3-32411-003 F-7-10-3
 HZY3-35470-023 F-2-22
 HZY3-35645-000 F-8-20-3
 HZY3-35673-003 E-3-16
 HZY3-35673-003 E-4-7
 HZY3-35673-003 E-9-10-12
 HZY3-36122-013 F-11-5
 HZY3-36123-013 F-11-6
 HZY3-40119-003 F-8-10-4
 HZY3-40219-013 F-11-9
 HZY3-50388-U00 FOP-7-1
 HZY3-50388-U10 FOP-7-2
 HZY3-56170-013 F-11-23
 HZY3-58130-T00 F-5-11
 HZY3-58130-T10 F-5-
 HZY3-58130-T20 F-5-
 HZY3-58130-T30 F-5-
 HZY3-58130-T40 F-5-
 HZY3-58130-T50 F-5-
 HZY3-58130-V01ZA F-5-
 HZY3-58130-V11ZA F-5-
 HZY3-58130-V21ZA F-5-
 HZY3-58130-V31ZA F-5-
 HZY3-58130-V41ZA F-5-
 HZY3-58130-V51ZA F-5-
 HZY3-63107-000 F-8-3
 HZY3-63108-000 F-8-4
 HZY3-63119-000 F-8-5
 HZY3-63201-000ZC F-8-10-10
 HZY3-63205-000 F-2-25
 HZY3-63205-000 F-8-10-11
 HZY3-63208-000 F-8-10-13
 HZY3-63212-000 F-8-10-14
 HZY3-63224-000 F-8-10-17
 HZY3-63260-000 F-8-10-20
 HZY3-90016-000 E-9-10-15
 HZY3-90017-000 E-9-10-16
 HZY3-90017-000 E-9-20-18
 HZY3-90017-000 E-18-10-47
 HZY3-90017-000 E-19-24
 HZY3-90017-000 F-2-27
 HZY3-90017-000 F-9-25
 HZY3-90021-000 E-4-9
 HZY3-90021-000 E-9-10-17
 HZY3-90021-000 E-9-20-20
 HZY3-90021-000 E-14-21
 HZY3-90021-000 E-18-1-20
 HZY3-90021-000 F-2-28
 HZY3-90026-000 E-3-24
 HZY3-90026-000 E-19-25
 HZY3-90028-000 F-2-29
 HZY3-90030-000 E-4-10
 HZY3-90030-000 F-7-10-11
 HZY3-90030-000 F-8-10-23
 HZY3-90030-000 F-9-26
 HZY3-90035-000 E-19-26
 HZY3-90040-000 E-9-10-19
 HZY3-90042-000 E-14-22
 HZY3-90046-000 E-6-13
 HZY3-90049-000 E-18-10-48
 HZY3-90054-000 E-3-25
 HZY3-90054-000 E-14-25
 HZY3-90055-000 E-19-27
 HZY3-90056-000 E-15-19
 HZY3-90056-000 F-9-28
 HZY3-90084-000 E-1-5
 HZY3-90084-000 E-20-3
 HZY3-90107-000 F-7-10-12
 HZY3-90109-010 F-8-8
 HZY3-90111-000 F-8-20-14
 HZY3-90120-000 F-3-14
 HZY3-90133-000 F-8-9
 HZY3-90204-000 E-3-30
 HZY3-90205-000 E-14-28
 HZY3-90304-000 F-7-4
 HZY3-90405-000 F-7-10-14
 HZY3-90506-000 F-5-14
 HZY3-90507-000 F-2-34
 HZY3-90507-000 F-8-11
 HZY3-90512-000 F-5-16
 HZY3-90528-000 F-5-17
 HZY3-90529-000 F-5-
 HZY3-90530-000 F-5-
 HZY3-90531-000 F-5-
 HZY3-90601-030 E-4-10-8
 HZY3-90601-030 F-9-29
 HZY3-90602-020 E-4-10-9
 HZY3-90653-003 F-7-5
 HZY3-90751-000 F-2-38
 HZY3-91001-003 F-2-42
 HZY3-91152-003 F-2-43
 HZY3-91254-003 F-4-30
 HZY3-91255-003 F-2-45
 HZY3-91303-000 E-21-22
 HZY3-91351-003 F-5-27
 HZY3-91556-000 F-8-12
 HZY5-14110-000 E-9-1
 HZY6-06122-010ZA E-9-20-1
 HZY6-06192-000 FOP-10-1
 HZY6-06193-A01 FOP-10-1-1
 HZY6-06411-000 FOP-13-1
 HZY6-11100-405 E-3-1
 HZY6-11321-010ZB E-6-1
 HZY6-11381-010 E-6-2
 HZY6-11410-425ZA E-9-10-1
 HZY6-11412-000 E-9-10-2
 HZY6-11911-000 E-3-5
 HZY6-11912-000 E-19-1
 HZY6-12000-415ZA E-3-6
 HZY6-12251-003 E-9-20-6
 HZY6-12310-010ZA E-1-1
 HZY6-12500-000 E-1-4
 HZY6-13010-000 E-7-1
 HZY6-13101-000 E-7-2
 HZY6-13102-000 E-7-
 HZY6-13211-004 E-7-7
 HZY6-13212-004 E-7-
 HZY6-13213-004 E-7-
 HZY6-13214-004 E-7-
 HZY6-13215-004 E-7-
 HZY6-13216-004 E-7-
 HZY6-13217-004 E-7-
 HZY6-13331-013 E-7-10
 HZY6-13400-000 E-10-1
 HZY6-13811-000 E-7-14
 HZY6-14120-000 E-9-4
 HZY6-14311-000 E-9-6
 HZY6-14510-003 E-9-8
 HZY6-14751-003 E-9-22
 HZY6-15100-000ZA E-5-2
 HZY6-15112-000 E-5-3
 HZY6-15121-000 E-5-4
 HZY6-15152-000 E-3-8
 HZY6-15220-010 E-6-4
 HZY6-15299-000 E-3-11
 HZY6-15410-010ZA E-5-11
 HZY6-15425-010 E-4-10-1
 HZY6-15655-000 E-6-5
 HZY6-15834-000 E-9-20-9
 HZY6-15840-000ZA E-9-20-10
 HZY6-16014-003 E-18-10-3
 HZY6-16016-003 E-15-1
 HZY6-16017-043 E-18-10-4
 HZY6-16019-003 E-18-10-5
 HZY6-16020-023 E-18-10-6
 HZY6-16036-003 E-18-10-9
 HZY6-16089-000 E-14-1
 HZY6-16196-000 E-18-2
 HZY6-16198-000 E-18-3
 HZY6-16199-000 E-18-4
 HZY6-16400-013 E-15-2
 HZY6-16450-003 E-14-2
 HZY6-16451-000 E-14-3
 HZY6-16621-000 E-14-4
 HZY6-16700-013 E-18-5
 HZY6-16701-003 E-18-10-27
 HZY6-16718-013 E-18-10-30
 HZY6-16723-003 E-18-10-32
 HZY6-16730-063 E-18-10-33
 HZY6-16734-003 E-18-10-36
 HZY6-16736-003 E-18-10-37
 HZY6-16740-003 E-14-5
 HZY6-16744-010 E-14-6
 HZY6-16748-000 E-14-7
 HZY6-16752-000 E-14-9
 HZY6-16755-003 E-18-6
 HZY6-16800-003 E-18-1-2
 HZY6-16805-003 E-18-1-3
 HZY6-16840-A00 E-18-10-39
 HZY6-16850-000 E-18-1-6
 HZY6-16860-000 E-18-7
 HZY6-16871-000 E-18-1-7
 HZY6-16880-030 E-18-1-8
 HZY6-16881-000 E-18-1-9
 HZY6-16890-000 E-18-1-10
 HZY6-16914-010 E-18-1-15
 HZY6-17051-000ZA E-14-10
 HZY6-17105-000 E-14-12
 HZY6-17109-000 E-14-13
 HZY6-17371-020 E-15-5
 HZY6-17374-000 E-15-6
 HZY6-17397-013 E-15-7
 HZY6-17398-000 E-15-8
 HZY6-17431-000 E-13-1
 HZY6-17432-000 E-13-2
 HZY6-17723-020 E-18-14
 HZY6-17840-000 F-2-2
 HZY6-17845-000 F-2-3
 HZY6-17860-000 F-2-4
 HZY6-17877-010 F-2-5
 HZY6-17931-000 F-2-6

HZY6-18110-415ZA.	E-4-2	HZY6-32414-300.	F-7-2	HZY6-90020-000.	E-10-10	HZZ3-87701-R00	FOP-8-6-47
HZY6-18112-030ZA.	E-4-3	HZY6-32414-300.	F-7-10-4	HZY6-90023-000.	E-9-10-18	HZZ3-87703-R01	FOP-8-2-24
HZY6-18115-003.	E-4-4	HZY6-32414-640.	F-7-10-5	HZY6-90043-000.	E-14-23	HZZ3-87703-R81	FOP-8-21
HZY6-18130-000ZA.	F-9-5	HZY6-32418-000.	F-2-21	HZY6-90045-000.	F-9-27	HZZ3-90129-000.	F-10-31
HZY6-18135-003.	F-9-6	HZY6-32419-000.	F-7-10-6	HZY6-90047-000.	E-14-24	HZZ3-91252-003.	F-5-26
HZY6-18211-000.	F-9-7	HZY6-35475-000.	F-2-23	HZY6-90048-010.	E-9-20-21	HZZ3-91253-003.	F-4-29
HZY6-18212-000.	F-9-8	HZY6-35640-003.	F-8-20-2	HZY6-90059-000.	E-9-10-20	HZZ5-06325-600.	FOP-6-2
HZY6-19221-A00	F-4-3	HZY6-35660-013.	F-10-4	HZY6-90082-003.	E-3-27	HZZ5-06325-700.	FOP-6-
HZY6-19221-A00	FOP-10-1-3	HZY6-35668-003.	E-4-6	HZY6-90103-000.	F-3-13	HZZ5-06325-800.	FOP-6-
HZY6-19231-000.	F-4-5	HZY6-36104-003.	FOP-13-4	HZY6-90104-000.	F-5-12	HZZ5-32185-600.	FOP-6-4
HZY6-19231-000.	FOP-10-1-5	HZY6-36120-013.	F-11-4	HZY6-90105-000.	F-3-20-10	HZZ5-32185-700.	FOP-6-
HZY6-19234-000.	F-4-6	HZY6-36129-013.	F-11-7	HZY6-90105-000.	F-8-10-24	HZZ5-32185-800.	FOP-6-
HZY6-19234-000.	FOP-10-3	HZY6-36135-003.	E-18-17	HZY6-90116-000.	F-4-19	HZZ5-32530-000.	FOP-8-6-34
HZY6-19234-000.	FOP-10-1-6	HZY6-36550-003.	E-14-17	HZY6-90116-000.	FOP-10-1-8	HZZ5-32545-000.	FOP-6-1-4
HZY6-19251-000.	F-4-7	HZY6-36551-003.	E-14-18	HZY6-90118-000.	F-3-20-11	HZZ5-32580-600.	FOP-6-9
HZY6-19251-611.	F-4-	HZY6-37521-000.	E-9-20-14	HZY6-90123-000.	F-3-15	HZZ5-32580-700.	FOP-6-
HZY6-19254-000.	E-6-7	HZY6-38228-003.	F-7-20-3	HZY6-90135-004.	F-7-20-9	HZZ5-32580-800.	FOP-6-
HZY6-19256-000.	F-9-9	HZY6-38235-004.	F-7-20-4	HZY6-90201-000.	E-1-6	HZZ5-37210-013.	FOP-8-6-44
HZY6-19260-020.	E-4-10-3	HZY6-38550-003.	F-7-10-7	HZY6-90301-000.	F-8-20-16	HZZ5-37210-712.	FOP-6-1-11
HZY6-19261-010.	E-4-10-4	HZY6-38552-000.	E-3-18	HZY6-90401-000.	E-1-7	HZZ5-38414-003.	FOP-6-1-14
HZY6-19262-010.	E-4-10-5	HZY6-39794-003.	F-7-20-6	HZY6-90601-000.	E-18-23	HZZ5-50211-000.	F-10-10
HZY6-19263-000.	E-4-10-6	HZY6-40105-020.	F-8-10-2	HZY6-90601-000.	E-18-1-21		
HZY6-19266-000.	E-4-10-7	HZY6-40114-010.	F-8-20-4	HZY6-90602-020.	E-4-10-10		
HZY6-19267-010.	F-9-10	HZY6-40116-000.	F-8-20-5	HZY6-90603-003.	E-4-10-11		
HZY6-19268-000.	E-4-5	HZY6-40151-010ZD.	F-8-20-6	HZY6-90604-003.	E-4-12		
HZY6-19269-000.	E-18-15	HZY6-40152-300.	F-8-20-7	HZY6-90605-003.	E-18-25		
HZY6-19273-000.	E-18-16	HZY6-40154-000ZC.	F-8-10-5	HZY6-90606-003.	F-9-31		
HZY6-19289-000.	F-8-20-1	HZY6-40155-000.	F-8-10-6	HZY6-90607-000.	E-18-10-50		
HZY6-19290-003.	F-9-16	HZY6-40157-000.	F-8-10-7	HZY6-90651-000.	F-9-32		
HZY6-19295-000.	F-9-18	HZY6-40201-000ZC.	F-3-20-1	HZY6-90701-000.	E-10-12		
HZY6-19300-003.	E-9-10-4	HZY6-40201-611ZC.	F-3-20-	HZY6-90752-000.	F-2-39		
HZY6-19313-000ZB.	E-9-10-5	HZY6-40212-020ZC.	F-8-20-8	HZY6-90753-000.	F-2-40		
HZY6-19315-010.	E-9-10-6	HZY6-40219-023.	F-3-20-3	HZY6-90755-003.	F-2-41		
HZY6-19318-010.	E-9-10-7	HZY6-41100-040ZC.	F-3-10-1	HZY6-91051-003.	F-5-22		
HZY6-19319-000.	E-9-10-8	HZY6-41100-614ZC.	F-3-10-	HZY6-91052-003.	F-4-26		
HZY6-23170-000ZA.	F-9-21	HZY6-41101-020ZC.	F-3-3	HZY6-91055-004.	F-5-23		
HZY6-23172-000.	E-6-8	HZY6-41104-010.	F-3-6	HZY6-91251-003.	F-4-28		
HZY6-24101-000.	F-5-1	HZY6-41105-010.	F-3-7	HZY6-91301-003.	E-4-13		
HZY6-24122-000.	F-5-4	HZY6-41112-010.	F-4-13	HZY6-91302-003.	E-4-14		
HZY6-24123-000.	F-5-5	HZY6-41112-611.	F-4-	HZY6-91303-003.	E-9-20-22		
HZY6-24124-000.	F-5-6	HZY6-41131-000.	F-4-16	HZY6-91304-010.	E-9-10-24		
HZY6-24166-000.	F-2-8	HZY6-41140-000.	F-5-7	HZY6-91305-003.	E-3-37		
HZY6-24218-000.	F-2-9	HZY6-41151-000.	F-5-8	HZY6-91351-003.	F-4-31		
HZY6-24310-000.	F-4-9	HZY6-41161-000.	F-5-9	HZY6-91502-003.	E-9-33		
HZY6-24320-000.	F-2-10	HZY6-41173-000.	FOP-13-6	HZY6-91552-000.	F-4-34		
HZY6-24320-610.	F-2-	HZY6-41201-000ZC.	F-5-10	HZY6-91552-000.	FOP-10-1-11		
HZY6-24343-000.	F-4-11	HZY6-50167-000.	F-10-7	HZY6-91553-000.	F-8-20-21		
HZY6-24610-000.	F-2-12	HZY6-50168-003.	F-10-8	HZY9-15815-000.	E-9-20-8		
HZY6-24612-020.	F-2-13	HZY6-50209-000.	FOP-13-7	HZY9-17315-000.	E-15-4		
HZY6-24614-000.	F-2-14	HZY6-56000-043.	F-11-11	HZY9-30419-003.	E-20-10-2		
HZY6-24618-000.	F-2-16	HZY6-56100-013.	F-11-12	HZY9-31207-H01	E-21		
HZY6-24620-000.	F-2-18	HZY6-56118-000.	FOP-13-8	HZY9-31226-H01	E-21		
HZY6-24628-000.	F-2-19	HZY6-60180-003.	F-8-10-8	HZY9-31229-H01	E-21		
HZY6-24629-000ZA.	F-2-20	HZY6-60185-003.	F-8-10-9	HZY9-31240-003.	E-21		
HZY6-30410-000.	E-20-10-1	HZY6-63102-010.	F-8-2	HZY9-31242-H01	E-21		
HZY6-30530-003.	E-3-13	HZY6-63144-000.	F-8-6	HZY9-31246-H01	E-21		
HZY6-31110-000ZA.	E-5-12	HZY6-63205-000.	F-8-10-12	HZY9-31251-H01	E-21-23		
HZY6-31200-003.	E-21-1	HZY6-63212-000.	F-8-10-15	HZY9-50381-000.	F-10-15		
HZY6-31216-003.	E-21-4	HZY6-63223-000.	F-8-10-16	HZY9-56115-003.	F-11-16		
HZY6-31226-003.	E-21-7	HZY6-63225-000.	F-8-10-18	HZY9-56120-003.	F-11-21		
HZY6-31227-003.	E-21	HZY6-63240-000.	F-8-10-19	HZY9-90017-000.	E-15-18		
HZY6-31231-003.	E-21-9	HZY6-63711-010ZC.	F-8-20-9	HZZ3-06240-R30	FOP-8-1		
HZY6-31232-003.	E-21	HZY6-63716-010ZC.	F-8-20-10	HZZ3-06240-R40	FOP-8-4-1		
HZY6-31235-003.	E-21-10	HZY6-63718-000.	F-8-20-11	HZZ3-06240-R60	FOP-8-2-1		
HZY6-31236-003.	E-21-11	HZY6-63719-000.	F-8-20-12	HZZ3-06323-R10	FOP-6-1-		
HZY6-31240-003.	E-21-12	HZY6-82873-000.	F-8-20-13	HZZ3-06323-R30	FOP-6-1-1		
HZY6-31242-003.	E-21-13	HZY6-87117-640.	F-12-1	HZZ3-06328-762.	FOP-11-1		
HZY6-31630-003.	E-19-15	HZY6-87117-U80	F-12-	HZZ3-19277-000.	F-9-14		
HZY6-31636-010.	E-19-17	HZY6-87531-620.	F-12-8	HZZ3-24800-R00	FOP-8-6-1		
HZY6-31637-000.	E-19-18	HZY6-89216-000.	F-13-5	HZZ3-24800-R50	FOP-8-6-		
HZY6-31638-003.	E-13-3	HZY6-90001-000.	E-3-19	HZZ3-32186-000.	FOP-11-2		
HZY6-31750-003.	E-19-22	HZY6-90001-000.	F-8-10-22	HZZ3-32346-R11	FOP-6-1-		
HZY6-32101-000.	F-7-10-1	HZY6-90002-000.	E-6-9	HZZ3-32346-R31	FOP-6-1-3		
HZY6-32111-000.	E-14-15	HZY6-90002-000.	F-3-20-8	HZZ3-35100-R11	FOP-6-1-7		
HZY6-32112-000.	E-9-10-9	HZY6-90005-000.	E-3-20	HZZ3-35100-R11	FOP-8-6-38		
HZY6-32113-000.	E-9-10-10	HZY6-90006-000.	E-15-16	HZZ3-35340-741.	FOP-12-1		
HZY6-32114-010.	E-3-15	HZY6-90010-000.	E-18-19	HZZ3-35341-740.	FOP-12-2		
HZY6-32115-000.	E-15-9	HZY6-90011-000.	E-9-20-17	HZZ3-35342-740.	FOP-12-3		
HZY6-32116-000.	E-9-20-12	HZY6-90013-000.	E-4-8	HZZ3-35343-740.	FOP-12-4		
HZY6-32166-003.	E-18-10-42	HZY6-90014-000.	F-9-23	HZZ3-35344-740.	FOP-12-5		
HZY6-32370-004.	F-7-20-1	HZY6-90017-000.	E-6-10	HZZ3-35345-741.	FOP-12-6		
HZY6-32371-004.	F-7-20-2	HZY6-90018-000.	E-6-11	HZZ3-41117-000.	F-4-15		
HZY6-32410-020.	F-7-10-2	HZY6-90019-000.	E-6-12	HZZ3-87301-R00	F-12-4		

Note

TOHATSU CORPORATION

**Address : 5-4,3-chome,Azusawa,Itabashi-ku,
TOKYO,174-0051 JAPAN**

Phone : TOKYO (03)3966-3117

FAX : TOKYO (03)3966-0090

Website : www.tohatsu.co.jp