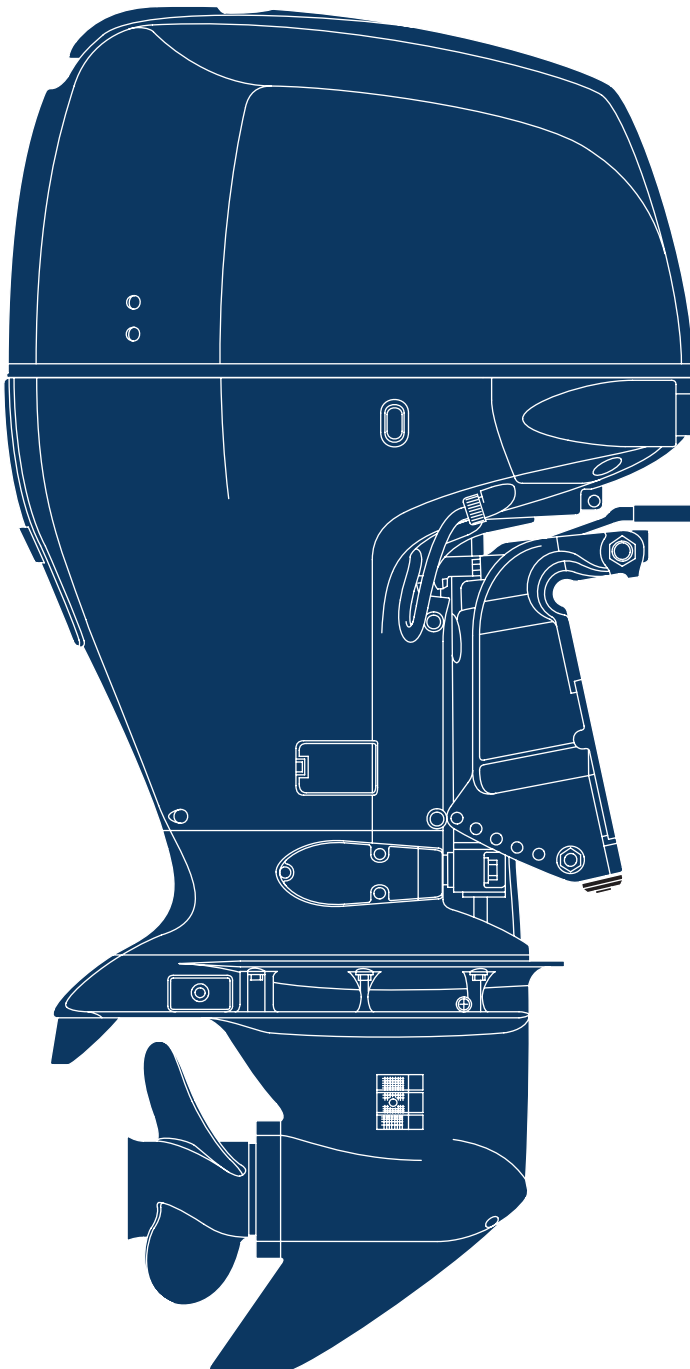


2014 PARTS CATALOG

 TOHATSU



BFT 150A

OB NO.002-13ZY6-0
1311EU/EX

Instruction for use of parts catalogue

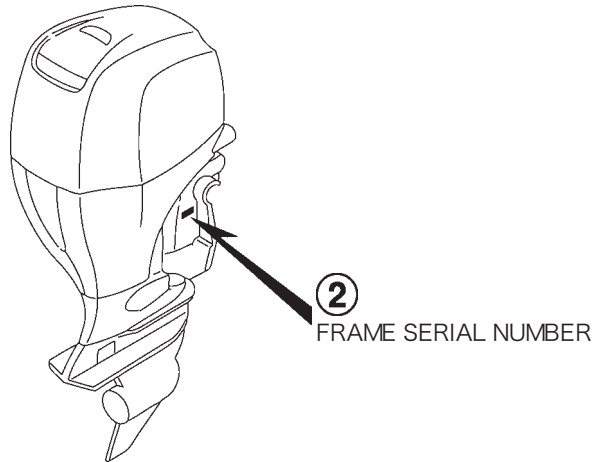
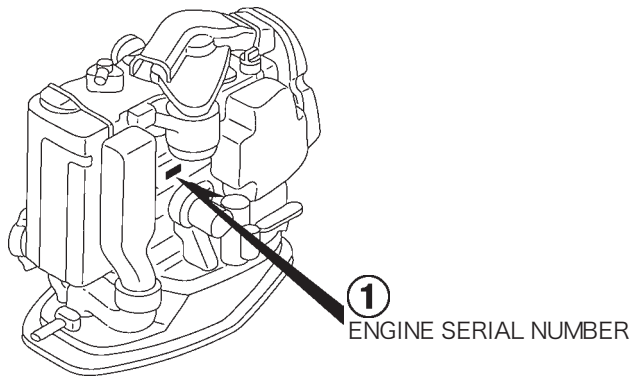
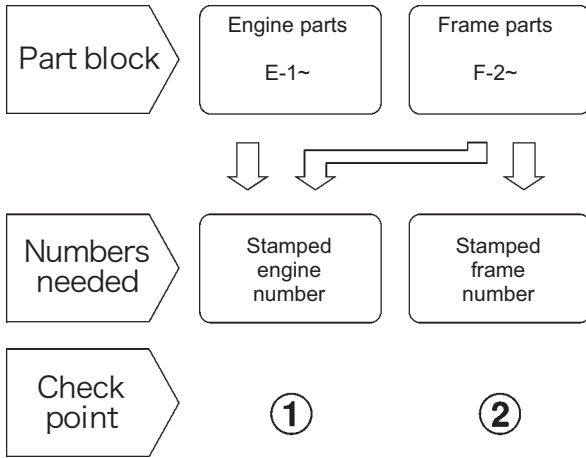
- **This parts catalogue was prepared based on the latest information available as of December 1, 2013.**
- See the Service Bulletin for any revision that is made after December 1, 2013.
- **Always specify the part number when ordering a part.**
 - Check the model, type, serial numbers, color, maker, and the size as needed before ordering a part.
 - Note that the illustrations (part drawings) can differ from the actual parts in shape.
Illustrations are given just to help you to refer to the parts.
- **When modifications or additions to this parts catalogue are made, a revised edition will be issued at an appropriate time, with successively progressing revision numbers on the cover. We recommend obtaining such revisions in order to keep your parts catalogue up-to-date at all times.**

Initial version issue date December 1, 2013

CONTENTS

| | | |
|----------------------|--|-----|
| E-1 | CYLINDER HEAD COVER | 1 |
| E-3 | CYLINDER BLOCK | 3 |
| E-4 | EXHAUST MANIFOLD | 7 |
| E-4-10 | WATER HOSE | 9 |
| E-5 | OIL PUMP/FLYWHEEL | 11 |
| E-6 | OIL PAN | 13 |
| E-7 | CRANKSHAFT/PISTON | 17 |
| E-9 | CAMSHAFT/VALVE | 21 |
| E-9-10 | CHAIN CASE/THERMOSTAT | 25 |
| E-9-20 | CYLINDER HEAD | 27 |
| E-10 | BALANCER SHAFT | 31 |
| E-13 | SILENCER DUCT | 33 |
| E-14 | INTAKE MANIFOLD/INJECTOR | 35 |
| E-15 | THROTTLE BODY | 39 |
| E-18 | FUEL PUMP/FUEL HOSE | 41 |
| E-18-1 | WATER SEPARATOR | 45 |
| E-18-10 | VAPOR SEPARATOR ASSY | 47 |
| E-19 | A.C.GENERATOR | 51 |
| E-20 | IGNITION COIL/PLUG | 55 |
| E-20-10 | ELECTRONIC CONTROL UNIT | 57 |
| E-21 | STARTER MOTOR | 59 |
| F-2 | SHIFT SHAFT | 61 |
| F-3 | GEAR CASE | 65 |
| F-3-10 | GEAR CASE ASSY | 67 |
| F-3-20 | EXTENSION CASE | 69 |
| F-4 | WATER PUMP/VERTICAL SHAFT | 71 |
| F-5 | PROPELLER SHAFT/PROPELLER | 75 |
| F-6 | FUEL TUBE | 79 |
| F-7 | WIRE HARNESS | 81 |
| F-7-10 | STARTER CABLE | 83 |
| F-7-20 | FUSE BOX/RELAY | 85 |
| F-7-30 | CLAMP | 87 |
| F-8 | ENGINE COVER ASSY | 89 |
| F-8-10 | FR.COVER BRACKET/FR.LOCK | 91 |
| F-8-20 | UNDER COVER | 93 |
| F-9 | FUEL TUBE (2) | 95 |
| F-10 | STERN BRACKET/SWIVEL CASE | 97 |
| F-11 | POWER TRIM-TILT | 103 |
| F-12 | LABELS | 107 |
| F-13 | TOOLS | 109 |
| FOP-1 | RIGGING HOSE KIT | 111 |
| FOP-2 | METER | 113 |
| FOP-6 | CONTROL PANEL (1) | 115 |
| FOP-6-1 | CONTROL PANEL (2) | 119 |
| FOP-7 | TRIM ADJUST PLATE SET | 121 |
| FOP-8 | REMOTE CONTROL (TOP MOUNT SINGLE TYPE) (RIGHT) | 123 |
| FOP-8-2 | REMOTE CONTROL (TOP MOUNT DUAL TYPE) (RIGHT) | 127 |
| FOP-8-4 | REMOTE CONTROL (FLUSH MOUNT TYPE) (RIGHT) | 131 |
| FOP-8-6 | REMOTE CONTROL | 133 |
| FOP-9 | BOLT KIT | 139 |
| FOP-10 | WATER PUMP IMPELLER KIT (1) | 141 |
| FOP-10-1 | WATER PUMP IMPELLER KIT (2) | 143 |
| FOP-11 | INTERFACE CABLE KIT | 145 |
| FOP-12 | TROLLNG CONTROL SWITCH | 147 |
| INDEX | | 149 |
| INDEX (Parts Number) | | 155 |

How to check the part block and serial numbers



Models, parts catalogue codes and applicable serial numbers

- Models, parts catalogue codes and applicable serial Nos. given in this parts catalogue can be identified as follows.

| Model | Type | Parts catalogue type | Engine | | Applicable engine serial No. | Applicable frame serial No. |
|---------|------|----------------------|---------|------|------------------------------|-----------------------------|
| | | | Model | Type | | |
| BFT150A | LU | LU | BF150A4 | SE | BEANJ-1000001~ | BANJ-6000001~ |
| | XD | XD | | | | |
| | XU | XU | | | | |

Features of each type

- See the following table for the features of each type. (Items in brackets are optional)

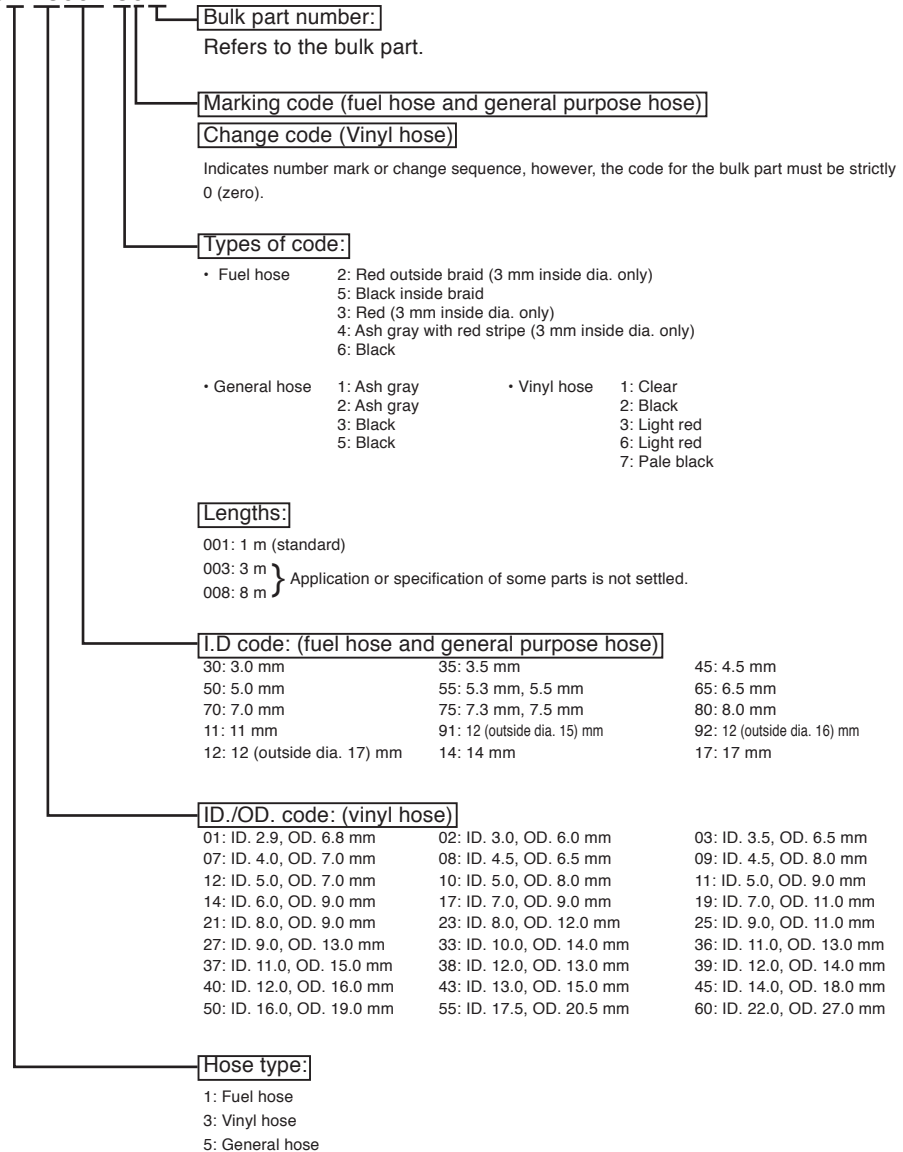
| Specifications | | Model | BFT 150A4 | | |
|----------------|-------------|-------|-----------|-----|----|
| | | Type | LU | XD | XU |
| Transom height | 508 mm | ● | | | |
| | 635 mm | | ● | ● | |
| Remote control | | (●) | (●) | (●) | |
| Fuel tank | | (●) | (●) | (●) | |
| Power tilt | | ● | ● | ● | |
| Propeller | 14-1/2 x 15 | (●) | (●) | (●) | |
| | 14-1/4 x 17 | (●) | (●) | (●) | |
| | 14 x 19 | (●) | (●) | (●) | |
| | 14-3/4 x 19 | (●) | (●) | (●) | |
| | 14 x 21 | (●) | (●) | (●) | |
| | 14-1/2 x 21 | (●) | (●) | (●) | |
| | 14-1/2 x 23 | (●) | (●) | (●) | |
| | 14-1/4 x 23 | (●) | (●) | (●) | |
| | 14 x 25 | (●) | (●) | (●) | |
| | 15-1/2 x 13 | (●) | (●) | (●) | |
| | 15-1/4 x 15 | (●) | (●) | (●) | |
| 15 x 17 | (●) | (●) | (●) | | |

Fuel hose, general purpose hoses and vinyl hose

- The standard part fuel hose, general purpose hose and vinyl hose may be substituted by the coiled bulk part.
- When ordering the standard part fuel hose, general purpose hose and vinyl hose use the bulk part number written in the parts catalog in brackets () underneath the part name.
- When exchanging the hose, cut and use at the specified length as mentioned in the part name. (For the method of cutting the bulk part, and method of filling out orders etc., please refer to the instructions issued with the bulk part.)

Bulk part number of fuel hose, general purpose hose and vinyl hose.

Example: 95001-75001-50M

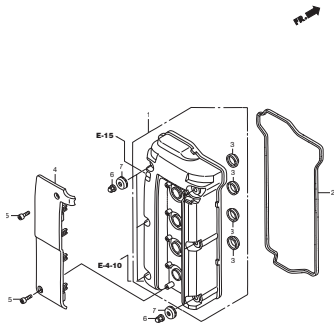


CAUTION: It is DANGEROUS to confuse the fuel hose with the general purpose hose or vinyl hose.

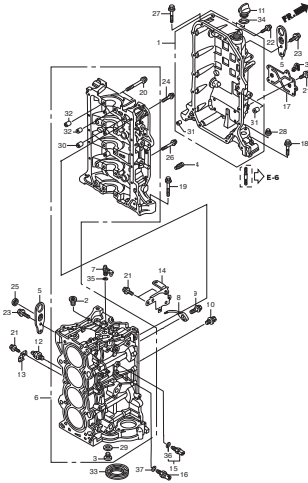
Never use a general purpose hose or vinyl hose in place of a fuel hose or vice versa.

Always use the correct bulk part in the parts catalogue, according to the service manual or the instructions issued with the bulk part.

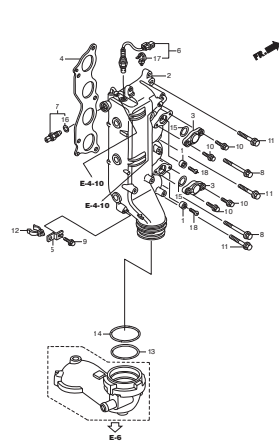
E-1 CYLINDER HEAD COVER



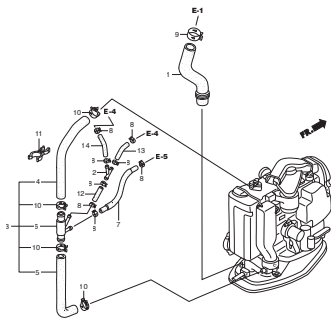
E-3 CYLINDER BLOCK



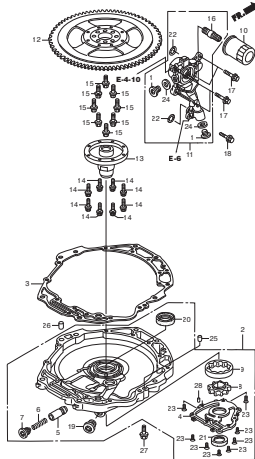
E-4 EXHAUST MANIFOLD



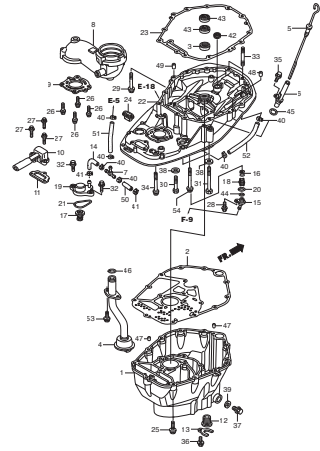
E-4-10 WATER HOSE



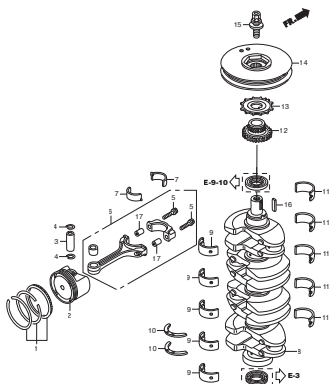
E-5 OIL PUMP/FLYWHEEL



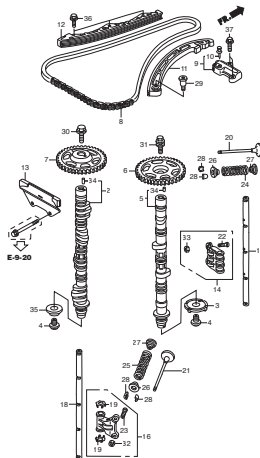
E-6 OIL PAN



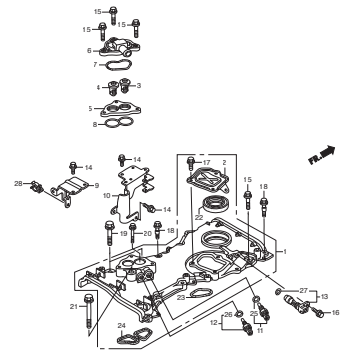
E-7 CRANKSHAFT/PISTON



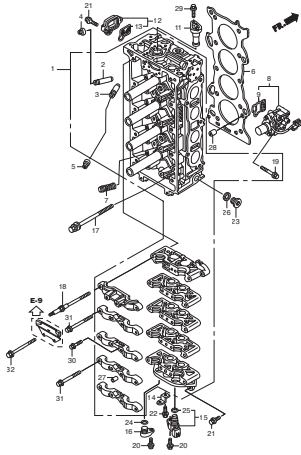
E-9 CAMSHAFT/VALVE



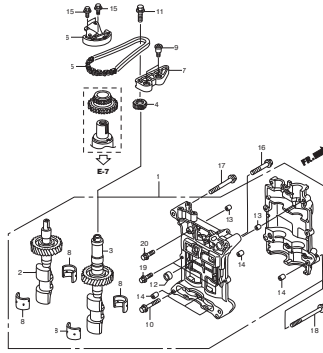
E-9-10 CHAIN CASE/THERMOSTAT



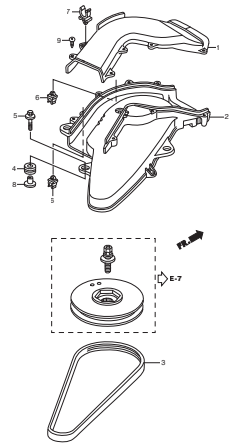
E-9-20 CYLINDER HEAD



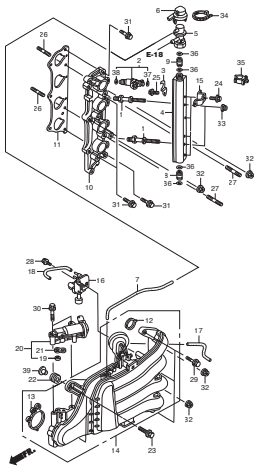
E-10 BALANCER SHAFT



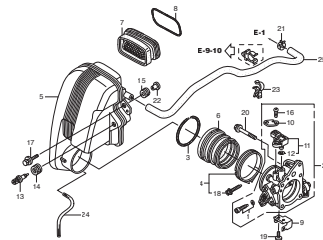
E-13 SILENCER DUCT



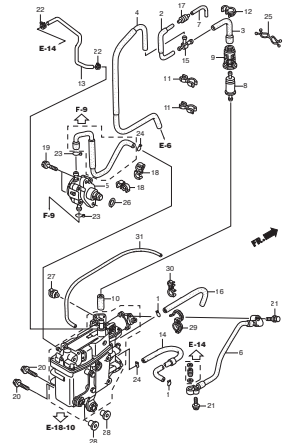
E-14 INTAKE MANIFOLD/INJECTOR



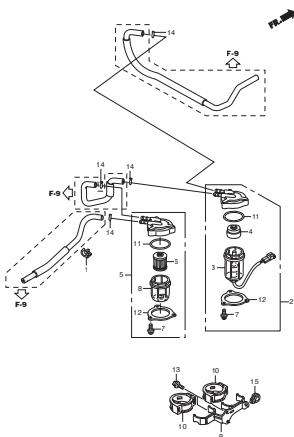
E-15 THROTTLE BODY



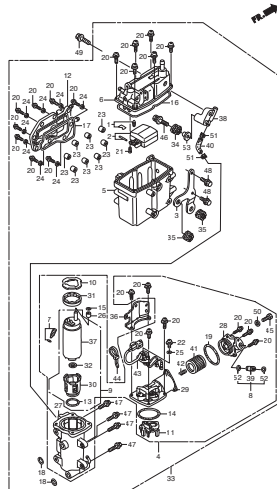
E-18 FUEL PUMP/FUEL HOSE



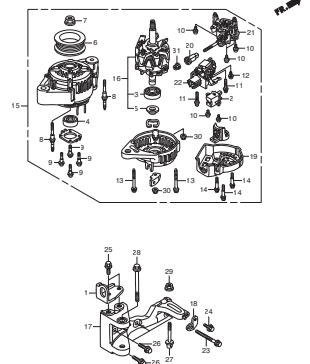
E-18-1 WATER SEPARATOR



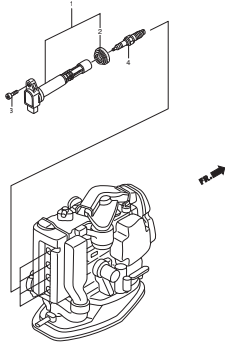
E-18-10 VAPOR SEPARATOR ASSY



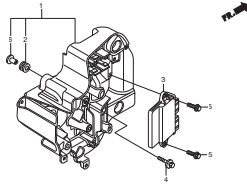
E-19 A.C.GENERATOR



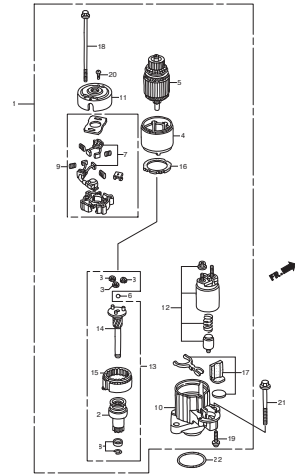
E-20 IGNITION COIL/PLUG



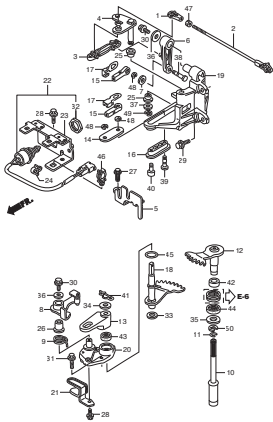
E-20-10 ELECTRONIC CONTROL UNIT



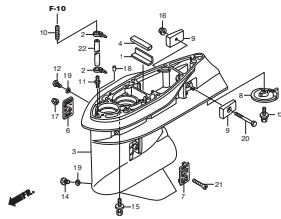
E-21 STARTER MOTOR



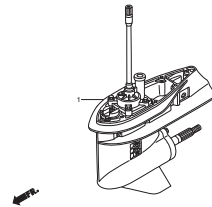
F-2 SHIFT SHAFT



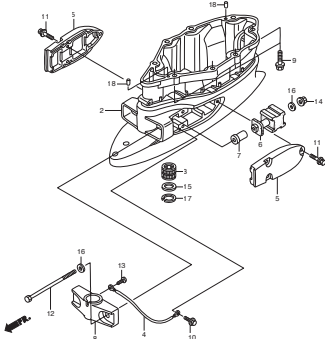
F-3 GEAR CASE



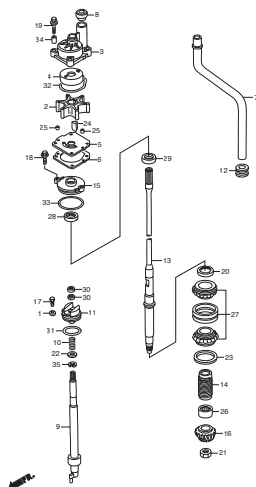
F-3-10 GEAR CASE ASSY



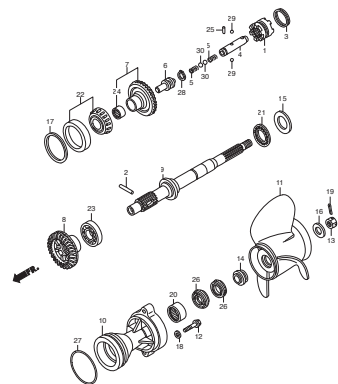
F-3-20 EXTENSION CASE



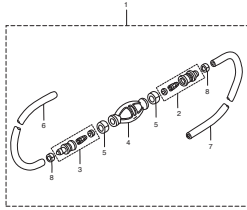
F-4 WATER PUMP/VERTICAL SHAFT



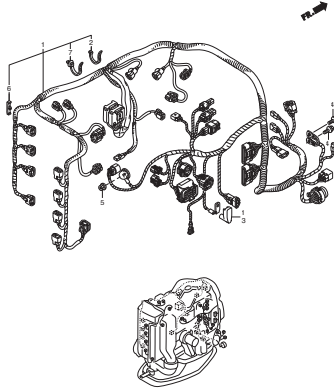
F-5 PROPELLER SHAFT/PROPELLER



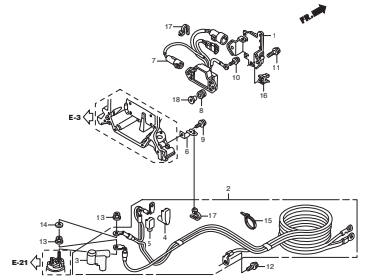
F-6 FUEL TUBE



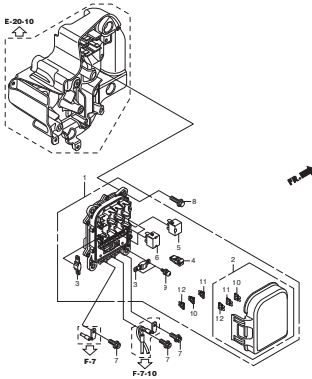
F-7 WIRE HARNESS



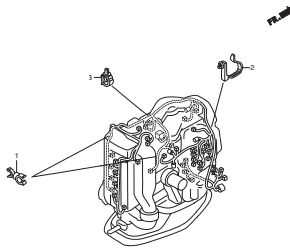
F-7-10 STARTER CABLE



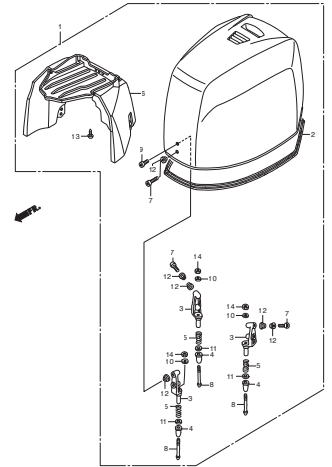
F-7-20 FUSE BOX/RELAY



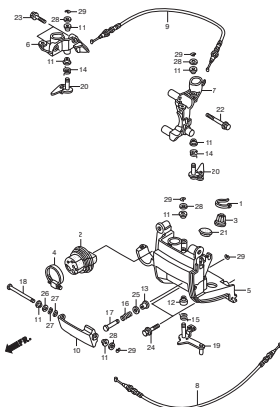
F-7-30 CLAMP



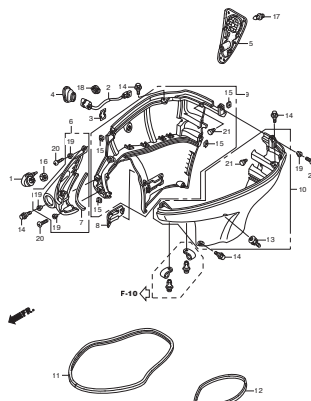
F-8 ENGINE COVER ASSY



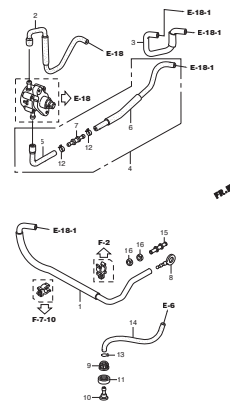
F-8-10 FR.COVER BRACKET/FR.LOCK



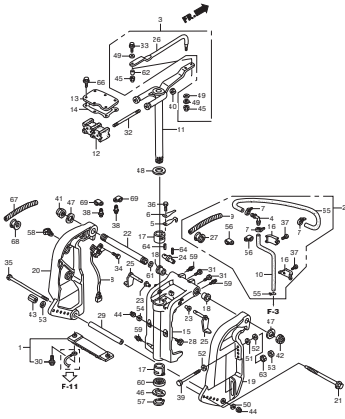
F-8-20 UNDER COVER



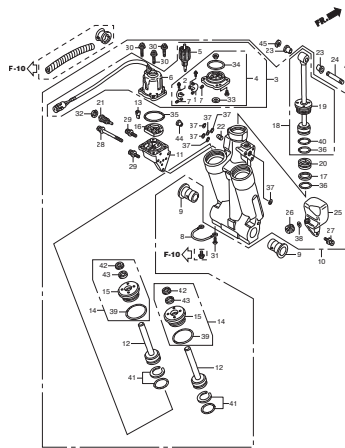
F-9 FUEL TUBE (2)



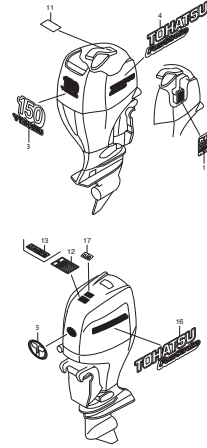
F-10 STERN BRACKET/SWIVEL CASE



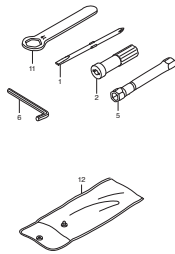
F-11 POWER TRIM-TILT



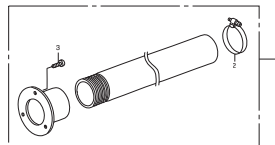
F-12 LABELS



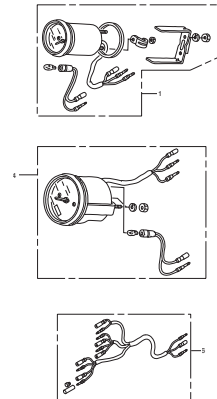
F-13 TOOLS



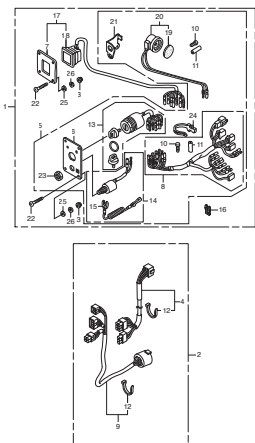
FOP-1 RIGGING HOSE KIT



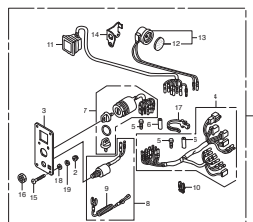
FOP-2 METER



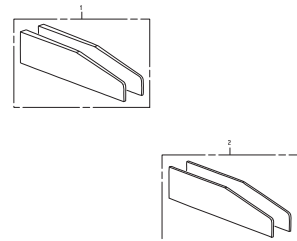
FOP-6 CONTROL PANEL (1)



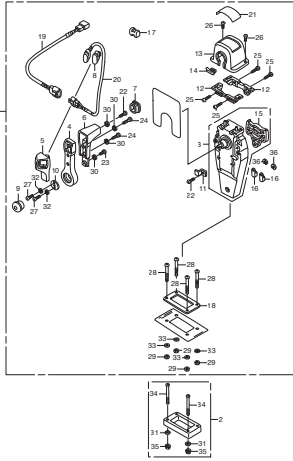
FOP-6-1 CONTROL PANEL (2)



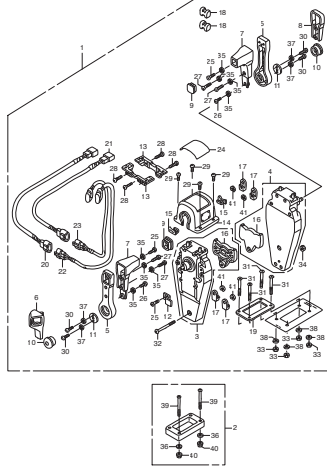
FOP-7 TRIM ADJUST PLATE SET



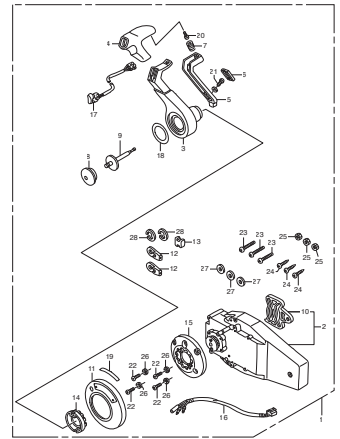
**FOP-8 REMOTE CONTROL
(TOP MOUNT SINGLE TYPE) (RIGHT)**



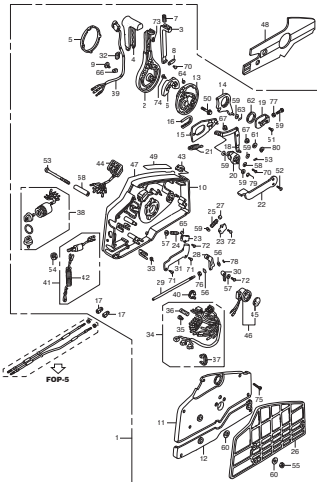
**FOP-8-2 REMOTE CONTROL
(TOP MOUNT DUAL TYPE) (RIGHT)**



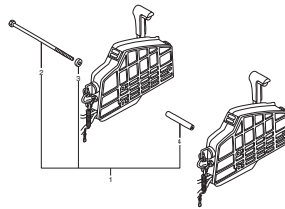
**FOP-8-4 REMOTE CONTROL
(FLUSH MOUNT TYPE) (RIGHT)**



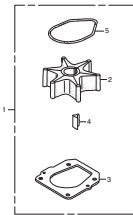
FOP-8-6 REMOTE CONTROL



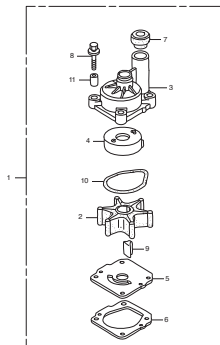
FOP-9 BOLT KIT



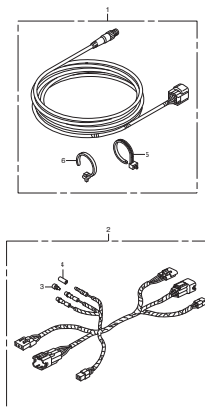
FOP-10 WATER PUMP IMPELLER KIT (1)



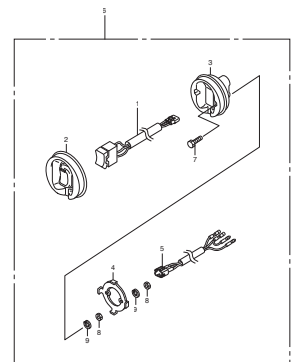
FOP-10-1 WATER PUMP IMPELLER KIT (2)

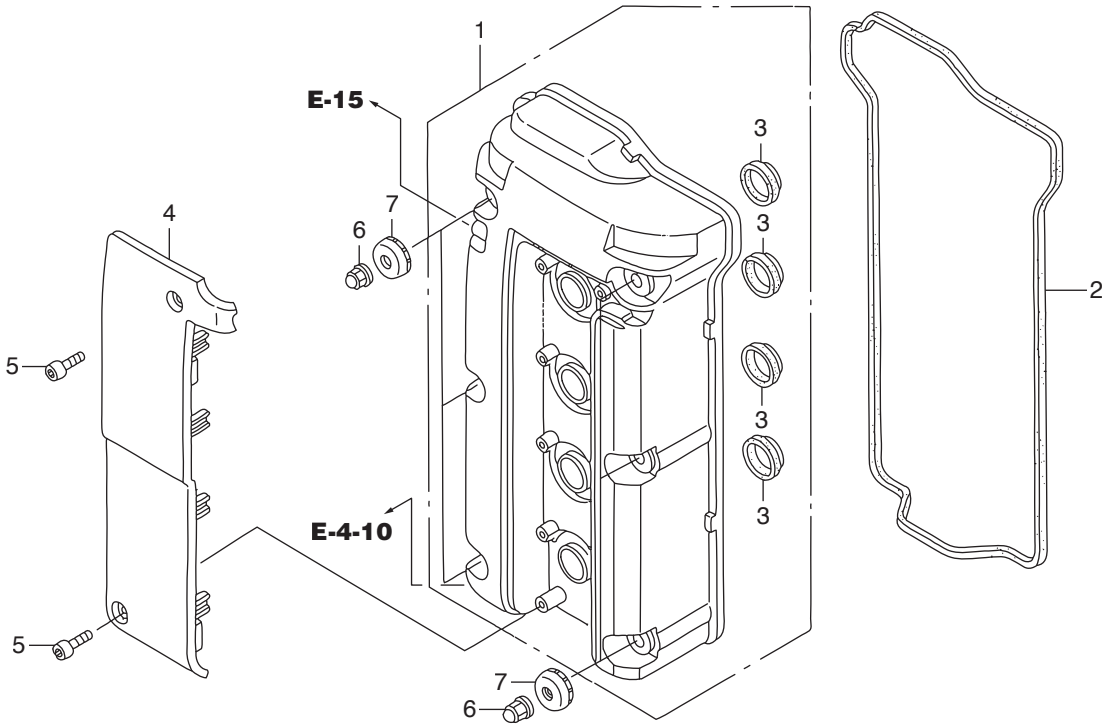


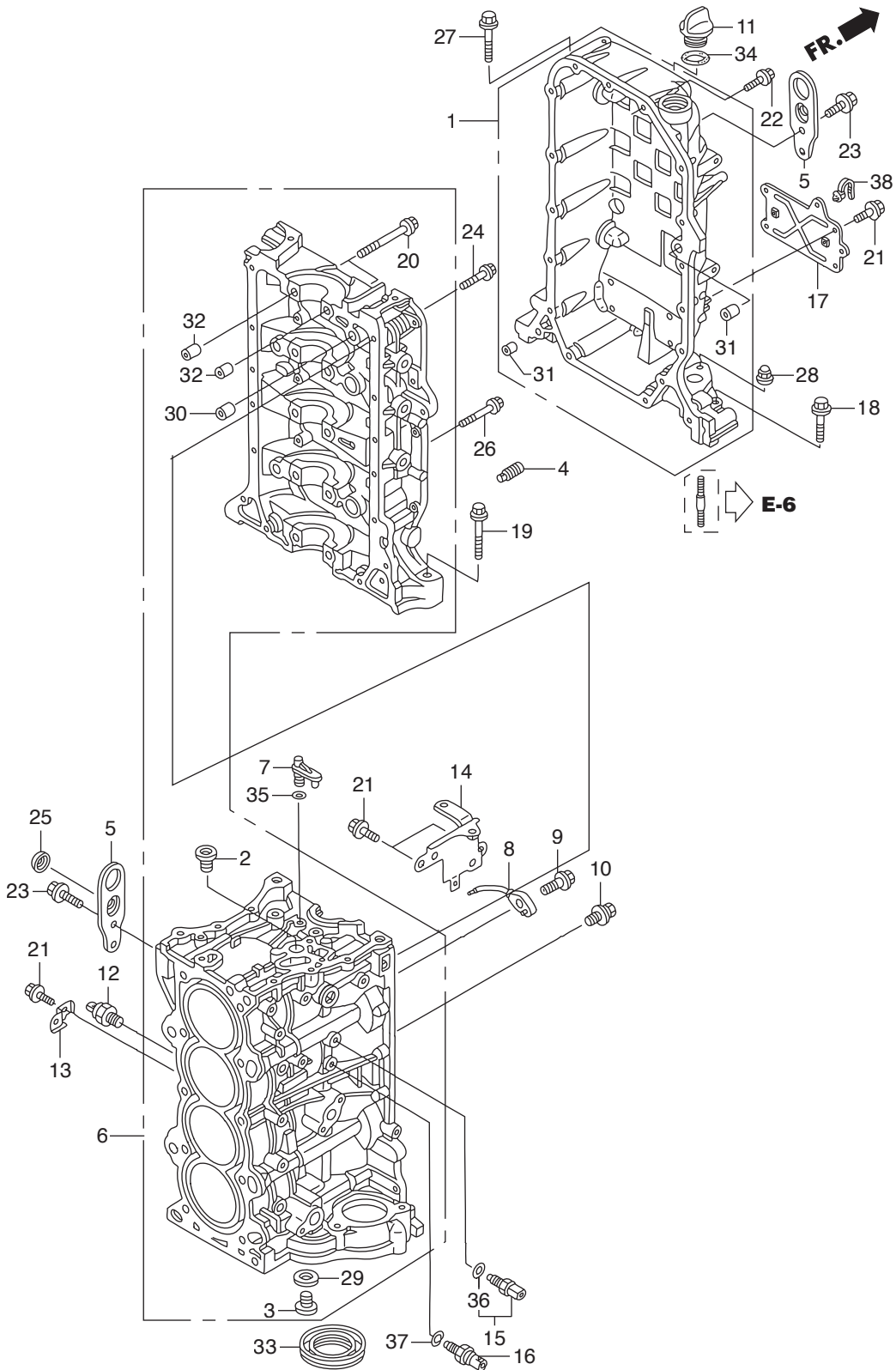
FOP-11 INTERFACE CABLE KIT



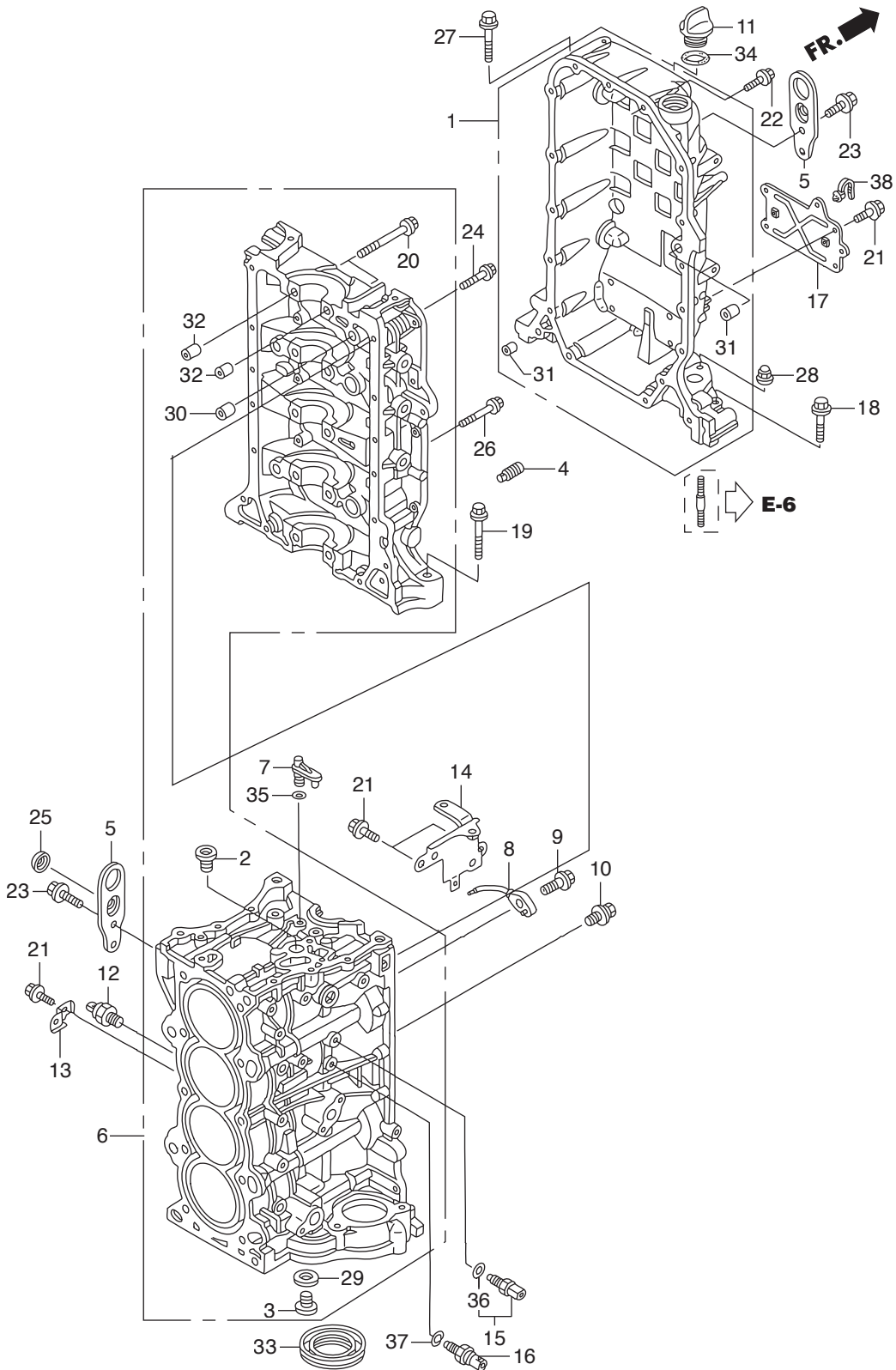
FOP-12 TROLLING CONTROL SWITCH

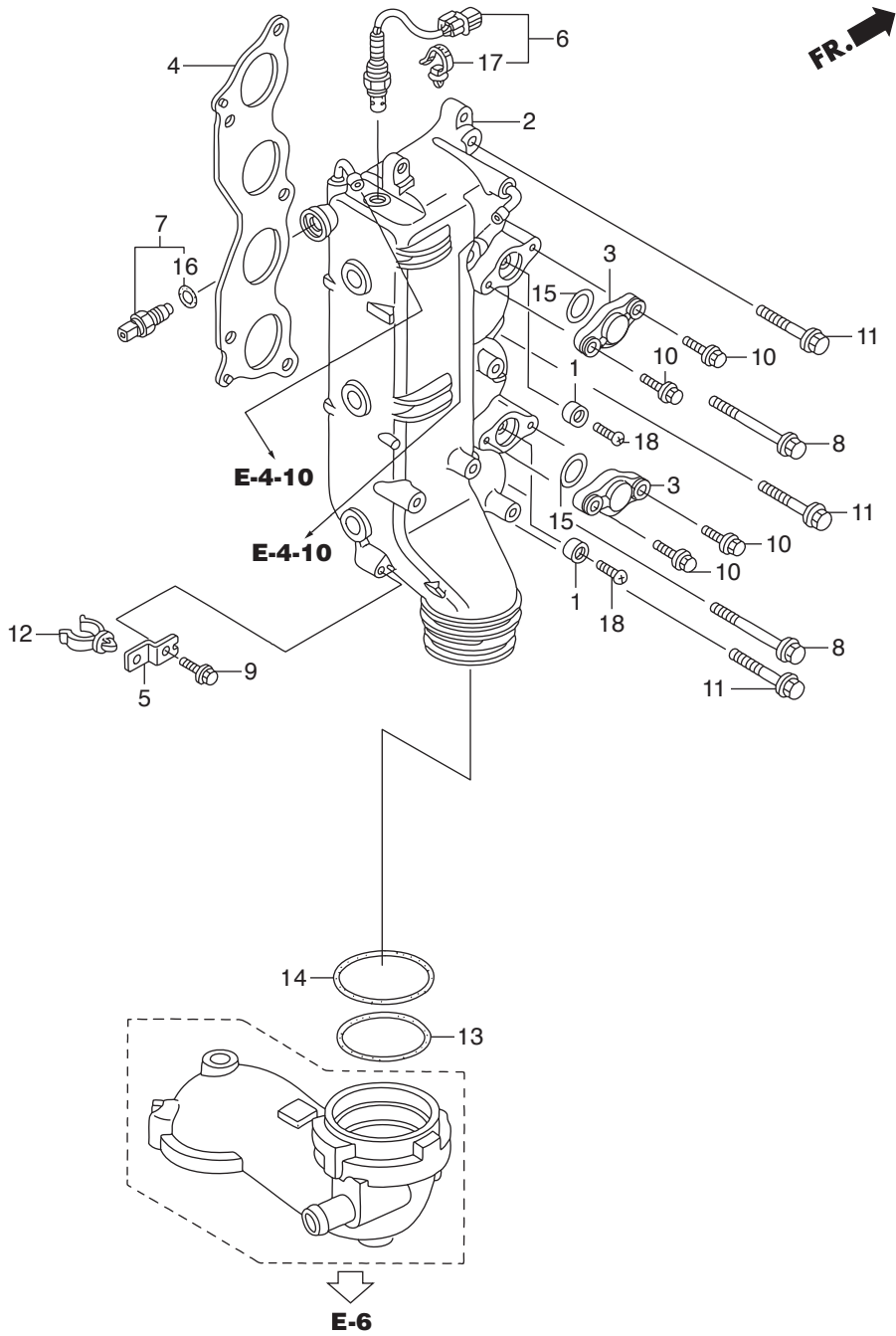




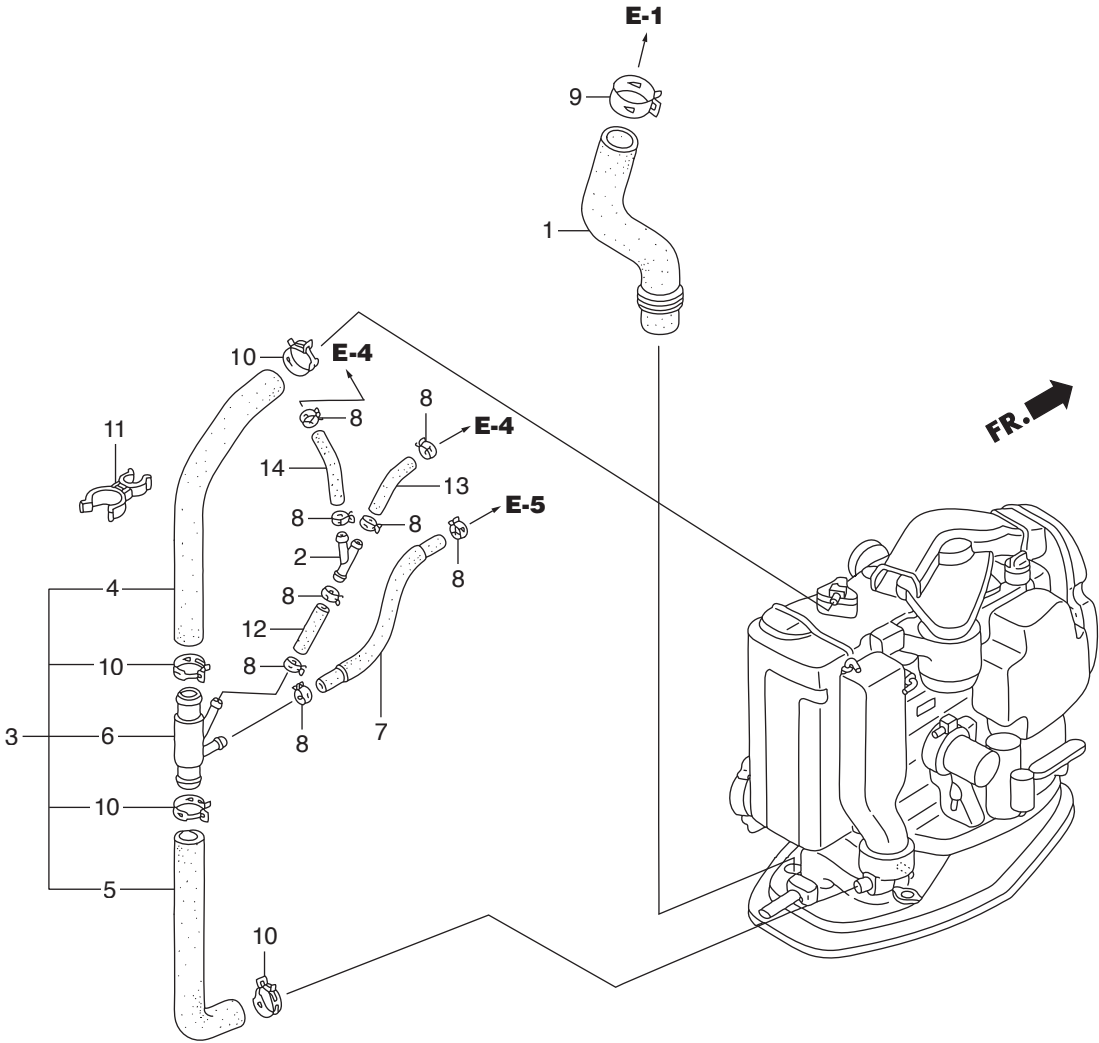


| Ref.No. | Part No. | Description | Q' ty | Remarks | |
|---------|----------|------------------|---------------------------|---------|-----------------|
| | | | BFT150A | | |
| E-3 | 1 | HZY6-11100-405 | CRANKCASE COMP. | 1 | |
| E-3 | 2 | HPNA-11106-300 | BOLT, SEALING, 20MM | 1 | |
| E-3 | 3 | HPR4-11106-013 | BOLT, SEALING, 28MM | 1 | |
| E-3 | 4 | HPNA-11135-000 | ORIFICE, LOWER BLOCK | 1 | |
| E-3 | 5 | HZY6-11911-000 | HANGER, ENGINE | 2 | |
| E-3 | 6 | HZY6-12000-415ZA | BLOCK ASSY., CYLINDER | 1 | *NH8* DARK GRAY |
| E-3 | 7 | HZY6-15152-000 | ORIFICE, OIL JET | 1 | |
| E-3 | 8 | HPRB-15280-A00 | BODY COMP., OIL JET | 2 | |
| E-3 | 9 | HPRA-15290-000 | BOLT COMP., OIL JET | 2 | |
| E-3 | 10 | HZY6-15299-000 | BOLT-WASHER, 8X10 | 2 | |
| E-3 | 11 | H921-15611-000 | CAP, OIL(YELLOW) | 1 | |
| E-3 | 12 | HZY6-30530-003 | SENSOR ASSY., KNOCK | 1 | |
| E-3 | 13 | HZW9-32114-730 | BRACKET, CLIP B | 1 | |
| E-3 | 14 | HZY6-32114-010 | BRACKET D, HARNESS CLIP | 1 | |
| E-3 | 15 | HZY3-35673-003 | SENSOR ASSY., WATER | 1 | TEMPERATURE |
| E-3 | 16 | HRNA-37260-A01 | SENSOR, OIL PRESSURE | 1 | |
| E-3 | 17 | HZY6-38552-000 | BRACKET, RELAY | 1 | |
| E-3 | 18 | HZY6-90001-000 | BOLT, FLANGE, 8X55 | 2 | |
| E-3 | 19 | HZY6-90005-000 | BOLT, FLANGE, 12X83 | 1 | |
| E-3 | 20 | HPNA-90006-003 | BOLT-WASHER, 11X95 | 10 | |
| E-3 | 21 | HZW9-90011-000 | BOLT, FLANGE, 6X14(CT200) | 7 | |
| E-3 | 22 | HZW9-90016-000 | BOLT, FLANGE, 6X25 | 18 | |
| E-3 | 23 | HZY3-90026-000 | BOLT, FLANGE, 8X20 | 4 | |
| E-3 | 24 | HZY3-90054-000 | BOLT, FLANGE, 8X35 | 10 | |
| E-3 | 25 | HZY6-90082-003 | CAP, BOLT, 8MM | 1 | |
| E-3 | 26 | HZW4-90156-000 | BOLT, FLANGE, 8X50 | 4 | |
| E-3 | 27 | HZW4-90162-000 | BOLT, FLANGE, 10X70 | 1 | |
| E-3 | 28 | HZY3-90204-000 | NUT, FLANGE CAP, 10MM | 2 | |
| E-3 | 29 | HPR4-90401-000 | WASHER, SEALING, 28MM | 1 | |

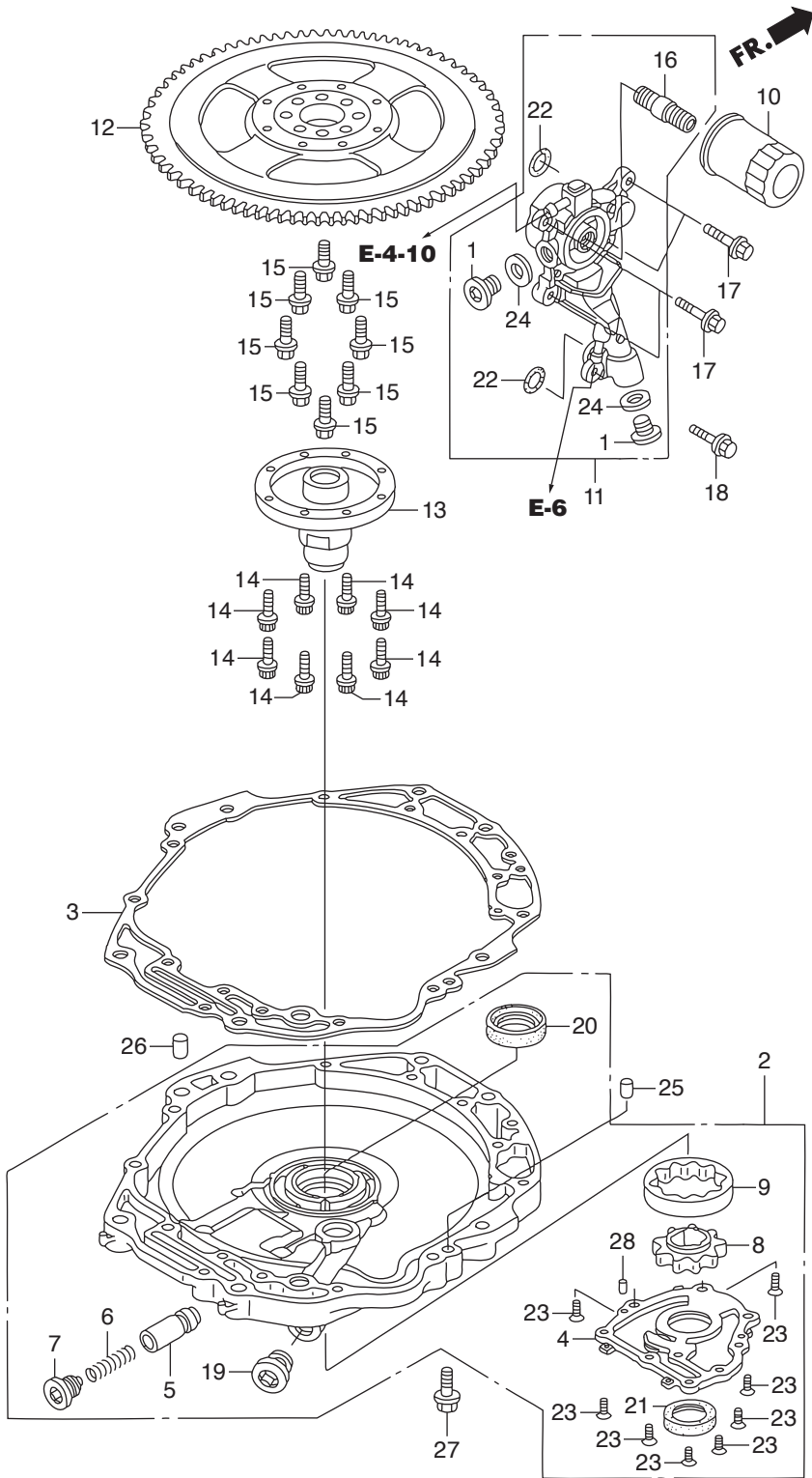




| Ref.No. | Part No. | Description | Q' ty | Remarks | |
|---------|----------|--------------------|-----------------------------|---------|-----------------|
| | | | BFT150A | | |
| E-4 | 1 | HZV5-12155-000 | METAL, ANODE | 2 | |
| E-4 | 2 | HZY6-18110-415ZA | MANIFOLD COMP., EX. | 1 | *NH8* DARK GRAY |
| E-4 | 3 | HZY6-18112-030ZA | COVER, EX. MANIFOLD | 2 | *NH8* DARK GRAY |
| E-4 | 4 | HZY6-18115-003 | GASKET COMP., EX. MANIFOLD | 1 | |
| E-4 | 5 | HZY6-19268-000 | BRACKET, WATER TUBE CLAMP | 1 | |
| E-4 | 6 | HZY6-35668-003 | SENSOR, LAF | 1 | |
| E-4 | 7 | HZY3-35673-003 | SENSOR ASSY., WATER | 1 | TEMPERATURE |
| E-4 | 8 | HZY6-90013-000 | BOLT, FLANGE, 10X75 | 2 | |
| E-4 | 9 | HZY3-90021-000 | BOLT, FLANGE, 6X14 | 1 | |
| E-4 | 10 | HZY3-90030-000 | BOLT, FLANGE, 6X22 | 4 | |
| E-4 | 11 | HZW4-90170-000 | BOLT, FLANGE, 10X45 | 3 | |
| E-4 | 12 | HZY6-90604-003 | CLAMP B, WATER TUBE | 1 | |
| E-4 | 13 | HZY6-91301-003 | O-RING, 76.4X3.1 | 1 | |
| E-4 | 14 | HZY6-91302-003 | O-RING, 79.8X3.1 | 1 | |
| E-4 | 15 | HHN0-91305-A00 | O-RING, 37X2.4 | 2 | |
| E-4 | 16 | HPNA-91307-003 | O-RING, 9.5X1.9 | 1 | |
| E-4 | 17 | HSV4-91540-003 | CLIP, HARNESS BAND(NATURAL) | 1 | (145.2MM) |
| E-4 | 18 | HCO-93500-06018-4J | SCREW, PAN, 6X18 | 2 | |
| | | | | | |
| | | | | | |
| | | | | | |
| | | | | | |
| | | | | | |
| | | | | | |
| | | | | | |
| | | | | | |
| | | | | | |
| | | | | | |
| | | | | | |
| | | | | | |
| | | | | | |
| | | | | | |

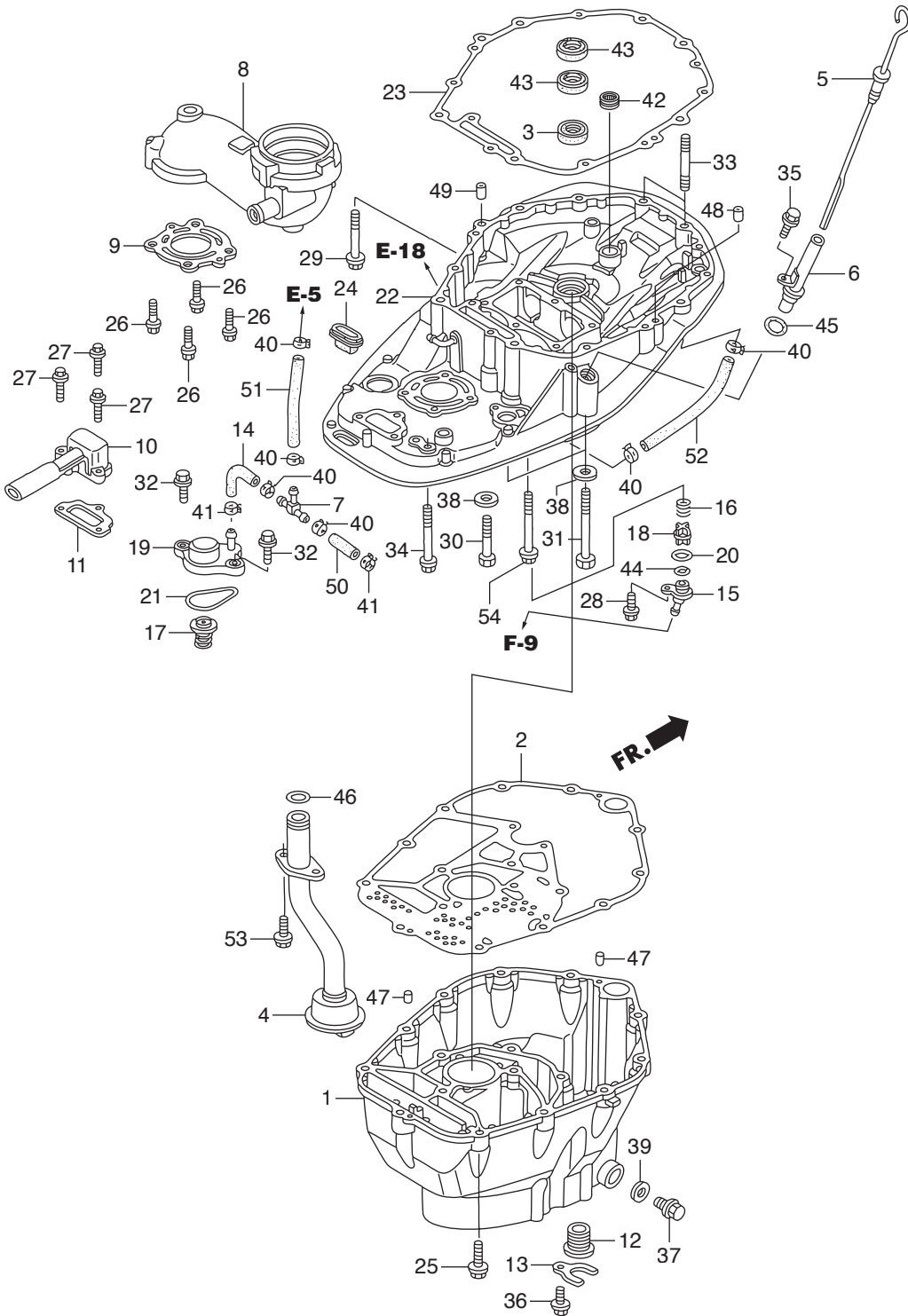


| Ref.No. | | Part No. | Description | Q' ty | Remarks |
|---------|----|--------------------|--------------------------|---------|--------------------|
| | | | | BFT150A | |
| E-4-10 | 1 | HZY6-15425-010 | TUBE, OIL | 1 | |
| E-4-10 | 2 | HMY1-16959-000 | JOINT, FUEL TUBE | 1 | |
| E-4-10 | 3 | HZY6-19260-020 | TUBE COMP., WATER RELIEF | 1 | |
| E-4-10 | 4 | HZY6-19261-010 | TUBE A, WATER RELIEF | 1 | |
| E-4-10 | 5 | HZY6-19262-010 | TUBE B, WATER RELIEF | 1 | |
| E-4-10 | 6 | HZY6-19263-000 | JOINT, FOUR-WAY | 1 | |
| E-4-10 | 7 | HZY6-19266-000 | TUBE COMP. E, WATER | 1 | |
| E-4-10 | 8 | HZY3-90601-030 | CLAMP, TUBE(D10.5) | 8 | |
| E-4-10 | 9 | HZY3-90602-020 | CLAMP, TUBE(D32.5) | 1 | |
| E-4-10 | 10 | HZY6-90602-020 | CLAMP, TUBE(D25.0) | 4 | |
| E-4-10 | 11 | HZY6-90603-003 | CLAMP, WATER TUBE | 1 | |
| E-4-10 | 12 | HCO-95005-70075-30 | TUBE, 7X75 | 1 | HC-95005-70001-30M |
| E-4-10 | 13 | HCO-95005-70090-30 | TUBE, 7X90 | 1 | HC-95005-70001-30M |
| E-4-10 | 14 | HCO-95005-70120-30 | TUBE, 7X120 | 1 | HC-95005-70001-30M |
| | | | | | |
| | | | | | |
| | | | | | |
| | | | | | |
| | | | | | |
| | | | | | |
| | | | | | |
| | | | | | |
| | | | | | |
| | | | | | |
| | | | | | |
| | | | | | |
| | | | | | |
| | | | | | |



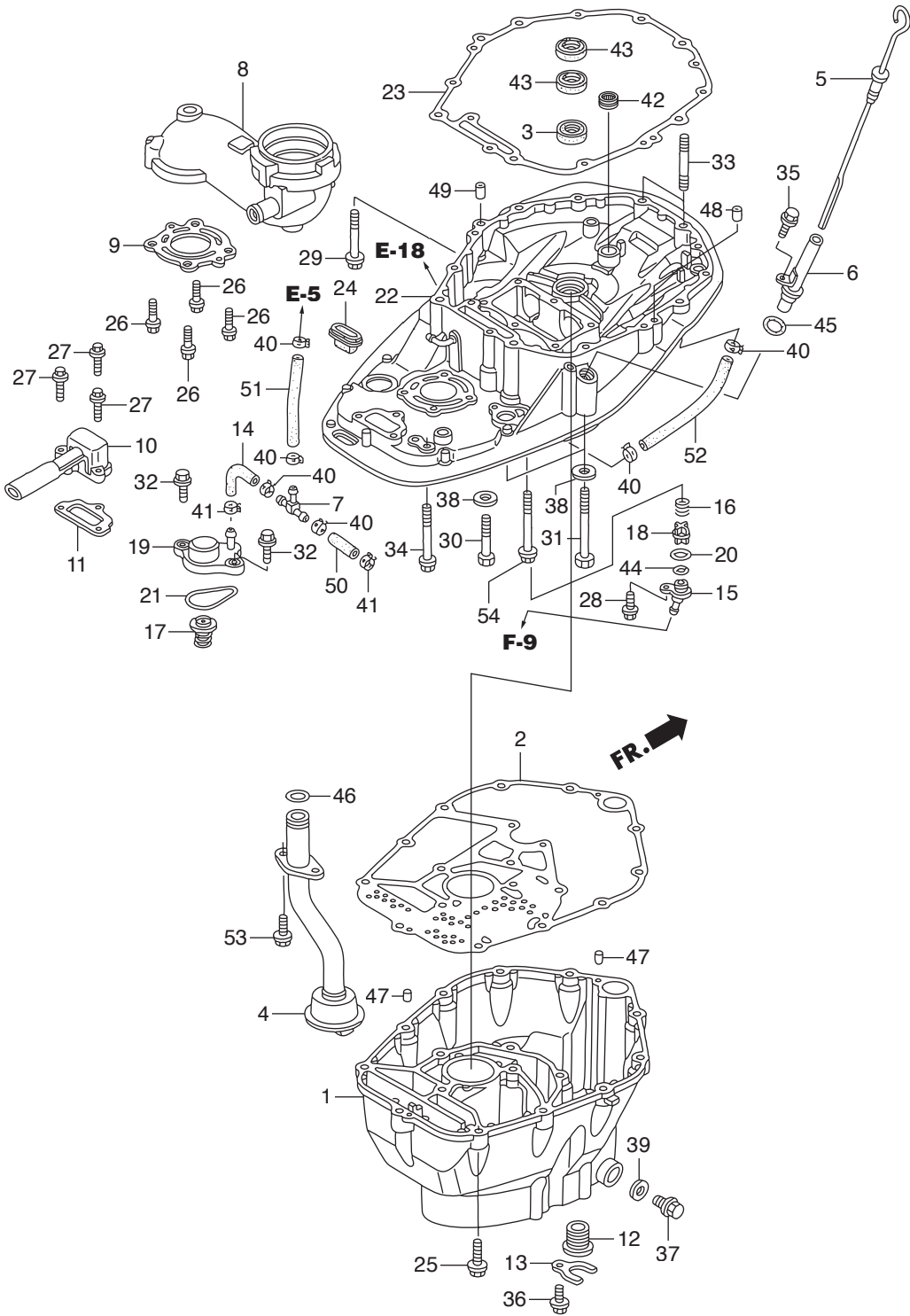
| Ref.No. | Part No. | Description | Q' ty | Remarks | |
|---------|----------|--------------------|--------------------------|---------|-----------------|
| | | | BFT150A | | |
| E-5 | 1 | HZW1-12217-010 | BOLT, SEALING, 20MM | 2 | |
| E-5 | 2 | HZY6-15100-000ZA | PUMP ASSY., OIL | 1 | *NH8* DARK GRAY |
| E-5 | 3 | HZY6-15112-000 | PACKING, OIL PUMP BODY | 1 | |
| E-5 | 4 | HZY6-15121-000 | COVER, OIL PUMP | 1 | |
| E-5 | 5 | HPE0-15231-000 | VALVE, RELIEF | 1 | |
| E-5 | 6 | HPG6-15232-000 | SPRING, RELIEF VALVE | 1 | |
| E-5 | 7 | HPC6-15233-000 | BOLT, SEALING, 18MM | 1 | |
| E-5 | 8 | HZW5-15331-003 | ROTOR, INNER OIL PUMP | 1 | |
| E-5 | 9 | HZW5-15341-003 | ROTOR, OUTER OIL PUMP | 1 | |
| E-5 | 10 | HRTA-15400-004 | CARTRIDGE, OIL FILTER | 1 | (TOYO ROKI) |
| E-5 | 11 | HZY6-15410-010ZA | FLANGE COMP., OIL FILTER | 1 | *NH8* DARK GRAY |
| E-5 | 12 | HZY6-31110-000ZA | FLYWHEEL COMP. | 1 | *TBLACK* BLACK |
| E-5 | 13 | HZY3-31116-000 | BOSS, FLYWHEEL | 1 | |
| E-5 | 14 | HZW5-90002-013 | BOLT, SPECIAL, 8MM | 8 | |
| E-5 | 15 | HPH3-90011-000 | BOLT, FLANGE, 12MM | 8 | |
| E-5 | 16 | HPH1-90015-013 | HOLDER, OIL FILTER | 1 | |
| E-5 | 17 | HZW9-90016-000 | BOLT, FLANGE, 6X25 | 4 | |
| E-5 | 18 | HZW5-90018-000 | BOLT, FLANGE, 6X20 | 1 | |
| E-5 | 19 | HZV5-90081-010 | BOLT, SEALING, 22MM | 2 | |
| E-5 | 20 | HZW5-91201-003 | OIL SEAL, 46X60X9 | 1 | |
| E-5 | 21 | HP01-91212-003 | OIL SEAL, 31X46X7(NOK) | 1 | |
| E-5 | 22 | HVD6-91360-003 | O-RING, 22.5X2.4 | 2 | |
| E-5 | 23 | HCO-93600-06016-0A | SCREW, FLAT, 6X16 | 9 | |
| E-5 | 24 | HCO-94109-20000 | WASHER, DRAIN PLUG, 20MM | 2 | |
| E-5 | 25 | HCO-94301-10160 | DOWEL PIN, 10X16 | 1 | |
| E-5 | 26 | HCO-94301-14200 | DOWEL PIN, 14X20 | 1 | |
| E-5 | 27 | HCO-95701-08032-08 | BOLT, FLANGE, 8X32 | 5 | |
| E-5 | 28 | HCO-96220-50080 | ROLLER, 5X8 | 2 | |
| | | | | | |

E-6 OIL PAN

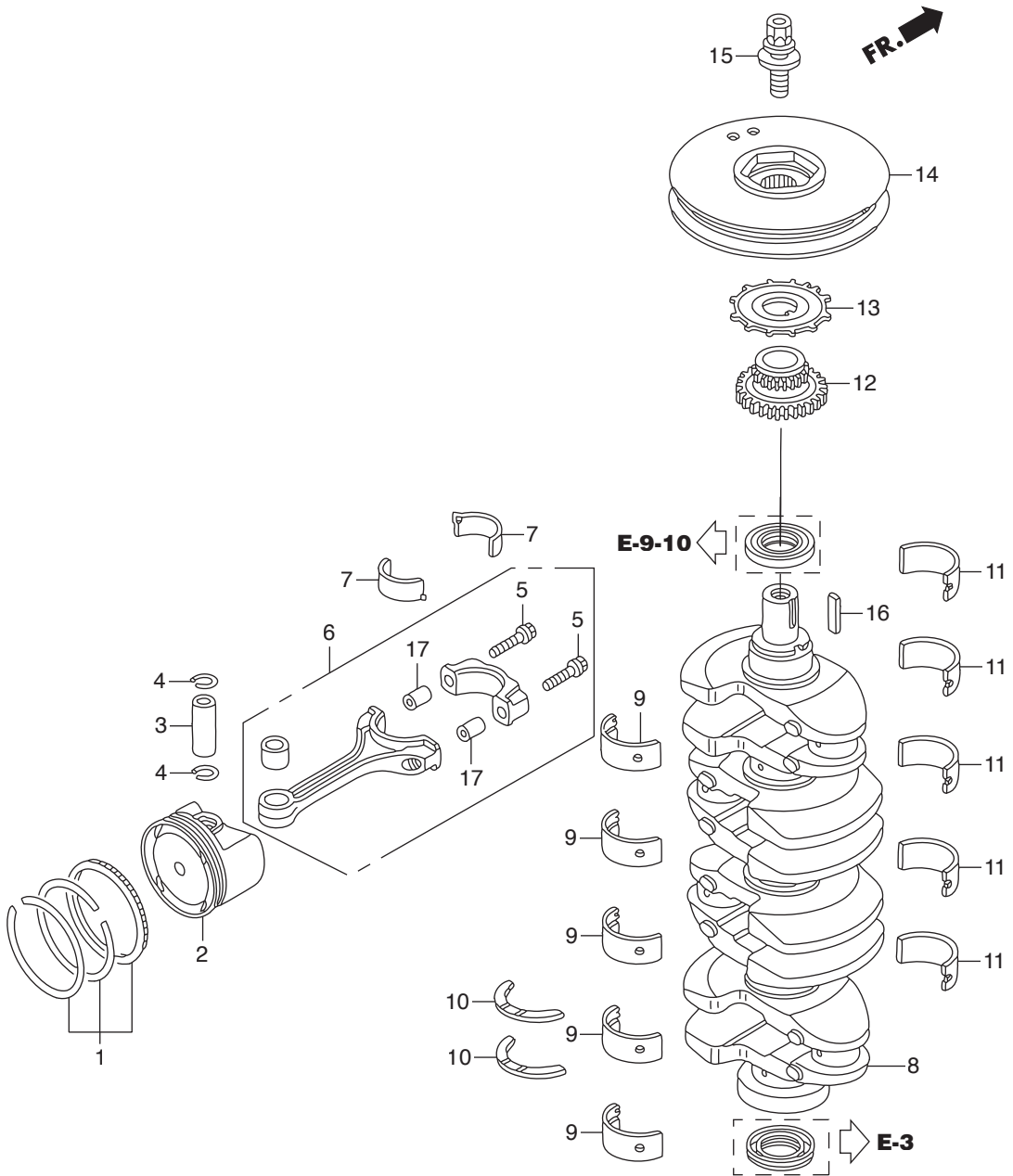


| Ref.No. | Part No. | Description | Q' ty | Remarks | |
|---------|----------|------------------|--------------------------|---------|-----------------|
| | | | BFT150A | | |
| E-6 | 1 | HZY6-11321-010ZB | CASE, OIL | 1 | *TGRAY* GRAY |
| E-6 | 2 | HZY6-11381-010 | PACKING, OIL PAN | 1 | |
| E-6 | 3 | HZW5-15113-000 | RUBBER, OIL PUMP | 1 | |
| E-6 | 4 | HZY6-15220-010 | STRAINER COMP., OIL | 1 | |
| E-6 | 5 | HZY6-15655-000 | GAUGE COMP., OIL LEVEL | 1 | |
| E-6 | 6 | HZW1-15665-020 | PIPE COMP., OIL LEVEL | 1 | |
| E-6 | 7 | HMN5-17195-000 | T-JOINT | 1 | |
| E-6 | 8 | HZY6-18130-000ZA | GUIDE COMP., EX. | 1 | *NH8* DARK GRAY |
| E-6 | 9 | HZY6-18135-003 | GASKET, EX. GUIDE | 1 | |
| E-6 | 10 | HZY6-18211-000 | PORT, IDLE EXHAUST | 1 | |
| E-6 | 11 | HZY6-18212-000 | GASKET, IDLE EX. PORT | 1 | |
| E-6 | 12 | HZW1-19252-000 | GROMMET, WATER TUBE | 1 | |
| E-6 | 13 | HZY6-19254-000 | PLATE, WATER TUBE | 1 | |
| E-6 | 14 | HZY6-19256-000 | TUBE, WATER RELIEF | 1 | |
| E-6 | 15 | HZZ3-19277-000 | COVER, FLUSH VALVE | 1 | |
| E-6 | 16 | HZW9-19279-000 | SPRING, FLUSH VALVE | 1 | |
| E-6 | 17 | HZY6-19290-003 | VALVE ASSY., RELIEF | 1 | |
| E-6 | 18 | HZW9-19291-000 | VALVE, FLASH | 1 | |
| E-6 | 19 | HZY6-19295-000 | COVER, RELIEF VALVE | 1 | |
| E-6 | 20 | HZW9-19297-000 | PACKING, FLASH VALVE | 1 | |
| E-6 | 21 | HZW9-19317-000 | O-RING, THERMOSTAT COVER | 1 | |
| E-6 | 22 | HZY6-23170-000ZA | CASE COMP., MOUNT | 1 | *NH8* DARK GRAY |
| E-6 | 23 | HZY6-23172-000 | GASKET, MOUNT CASE | 1 | |
| E-6 | 24 | HZY3-23173-010 | RUBBER, MOUNT CASE SEAL | 1 | |
| E-6 | 25 | HZY6-90002-000 | BOLT, FLANGE, 10X40 | 16 | |
| E-6 | 26 | HZY6-90014-000 | BOLT, FLANGE, 8X30 | 4 | |
| E-6 | 27 | HZW9-90016-000 | BOLT, FLANGE, 6X25 | 3 | |
| E-6 | 28 | HZW9-90105-000 | BOLT, FLANGE, 6X20 | 1 | |
| E-6 | 29 | HZY6-90017-000 | BOLT, FLANGE, 10X80 | 1 | |

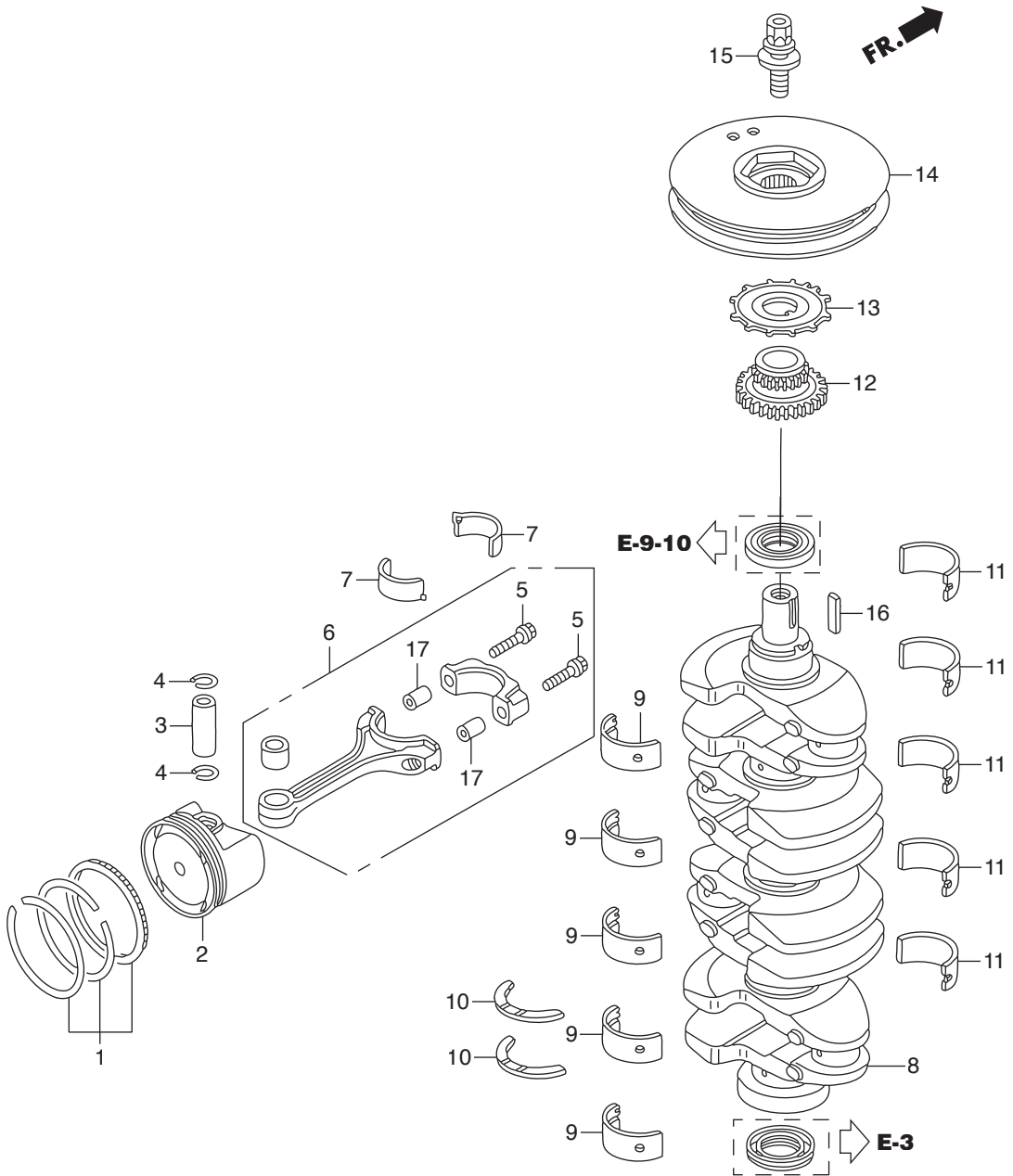
E-6 OIL PAN

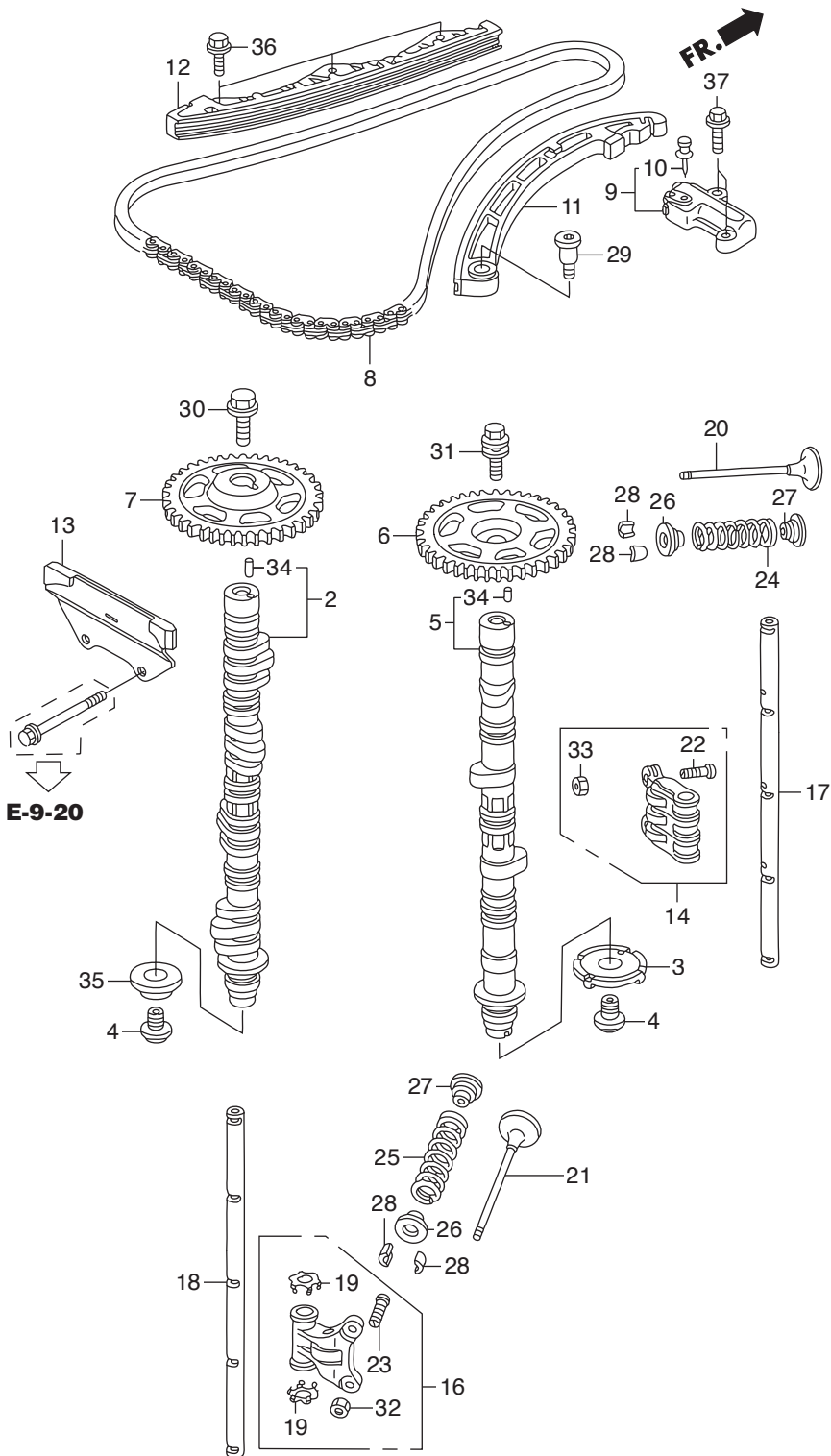


| Ref.No. | Part No. | Description | Q' ty | Remarks | |
|---------|----------|--------------------|---------------------------|---------|--------------------|
| | | | BFT150A | | |
| E-6 | 30 | HZY6-90018-000 | BOLT, HEX., 12X70 | 1 | |
| E-6 | 31 | HZY6-90019-000 | BOLT, HEX., 12X130 | 2 | |
| E-6 | 32 | HZY3-90030-000 | BOLT, FLANGE, 6X22 | 2 | |
| E-6 | 33 | HZY6-90045-000 | BOLT, STUD, 10X55 | 2 | |
| E-6 | 34 | HZY3-90046-000 | BOLT, FLANGE, 8X100 | 1 | |
| E-6 | 35 | HZY3-90056-000 | BOLT, FLANGE, 6X12 | 1 | |
| E-6 | 36 | HZW9-90102-000 | BOLT, FLANGE, 6X12 | 1 | |
| E-6 | 37 | HZV5-90131-000 | BOLT, DRAIN PLUG | 1 | |
| E-6 | 38 | HZV5-90559-000 | WASHER, PLAIN, 12MM | 3 | |
| E-6 | 39 | HZE2-90601-000 | WASHER, DRAIN PLUG, 12MM | 1 | |
| E-6 | 40 | HZY3-90601-030 | CLAMP, TUBE(D10.5) | 6 | |
| E-6 | 41 | HZY6-90606-003 | CLAMP, TUBE(D10.5) | 2 | |
| E-6 | 42 | HZY3-91001-003 | BEARING, NEEDLE, 20X28X13 | 1 | (SOLID) |
| E-6 | 43 | HZW5-91202-003 | SEAL, WATER, 22X35X7 | 2 | |
| E-6 | 44 | H800-91303-000 | O-RING, 16MM | 1 | |
| E-6 | 45 | HPJ7-91309-010 | O-RING, 11.5X3.5 | 1 | |
| E-6 | 46 | HPC6-91324-000 | O-RING, 20.6X2.6 | 1 | |
| E-6 | 47 | HCO-94301-06100 | DOWEL PIN, 6X10 | 2 | |
| E-6 | 48 | HCO-94301-10160 | DOWEL PIN, 10X16 | 1 | |
| E-6 | 49 | HCO-94301-14200 | DOWEL PIN, 14X20 | 1 | |
| E-6 | 50 | HCO-95005-70040-30 | TUBE, 7X40 | 1 | HC-95005-70001-30M |
| E-6 | 51 | HCO-95005-70160-30 | TUBE, 7X160 | 1 | HC-95005-70001-30M |
| E-6 | 52 | HCO-95005-70200-30 | TUBE, 7X200 | 1 | HC-95005-70001-30M |
| E-6 | 53 | HCO-95701-06018-09 | BOLT, FLANGE, 6X18 | 2 | |
| E-6 | 54 | HCO-95701-10110-09 | BOLT, FLANGE, 10X110 | 2 | |
| | | | | | |
| | | | | | |
| | | | | | |
| | | | | | |

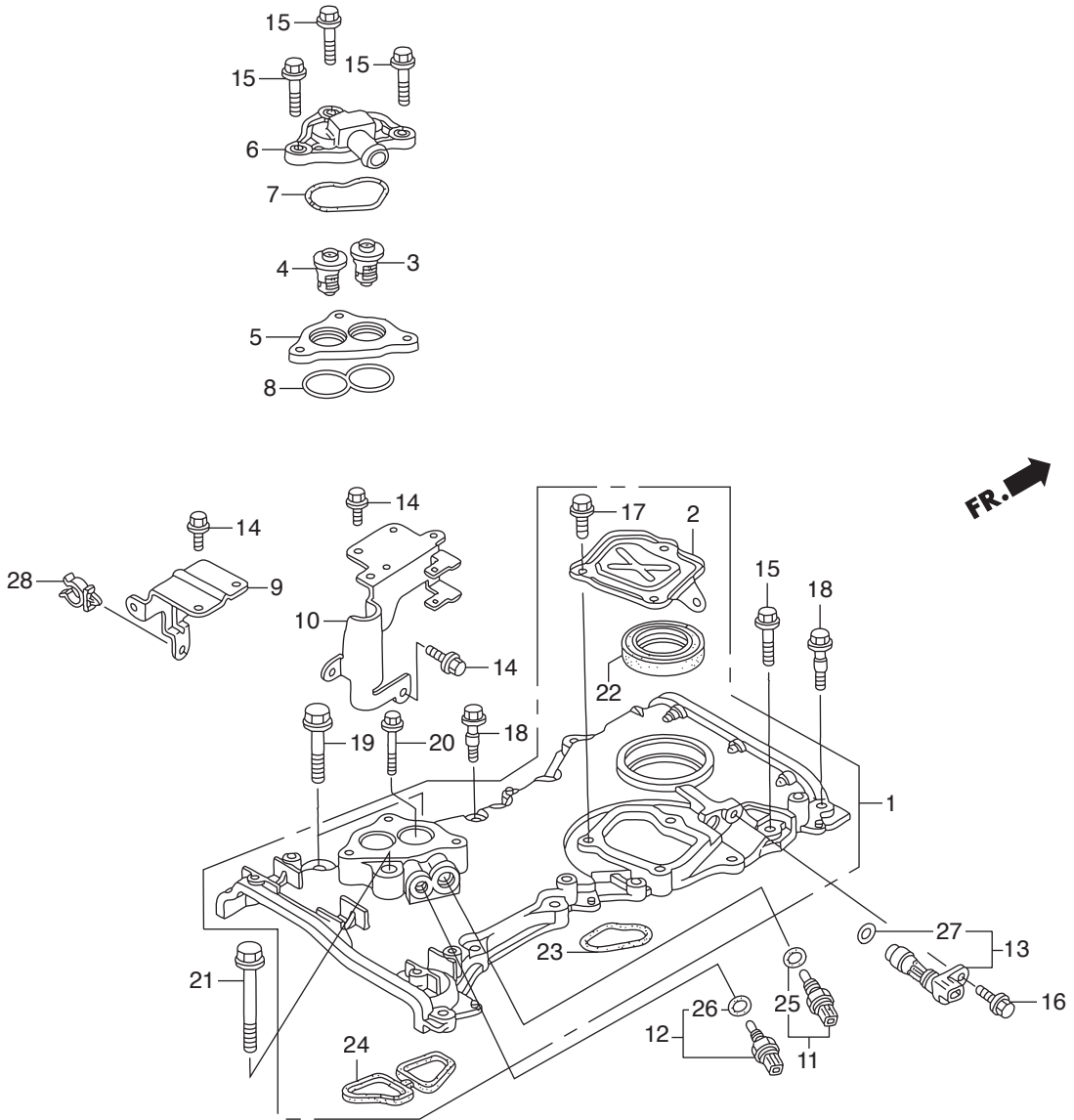


| Ref.No. | Part No. | Description | Q' ty | Remarks | |
|---------|----------|----------------|---------------------------------|---------|----------|
| | | | BFT150A | | |
| E-7 | 1 | HZY6-13010-000 | RING SET, PISTON(STD.) | 4 | |
| E-7 | 2 | HZY6-13101-000 | PISTON A | 4 | |
| E-7 | | HZY6-13102-000 | PISTON B | 4 | |
| E-7 | 3 | HPNA-13111-010 | PIN, PISTON | 4 | |
| E-7 | 4 | HP5A-13115-000 | CLIP, PISTON PIN | 8 | |
| E-7 | 5 | HP8A-13204-A01 | BOLT, CONNECTING ROD | 8 | |
| E-7 | 6 | HPPA-13210-000 | ROD COMP., CONNECTING | 4 | |
| E-7 | 7 | HZY6-13211-004 | BEARING A, CONNECTING ROD | 8 | (BLUE) |
| E-7 | | HZY6-13212-004 | BEARING B, CONNECTING ROD | 8 | (BLACK) |
| E-7 | | HZY6-13213-004 | BEARING C, CONNECTING ROD | 8 | (BROWN) |
| E-7 | | HZY6-13214-004 | BEARING D, CONNECTING ROD | 8 | (GREEN) |
| E-7 | | HZY6-13215-004 | BEARING E, CONNECTING ROD | 8 | (YELLOW) |
| E-7 | | HZY6-13216-004 | BEARING F, CONNECTING ROD | 8 | (PINK) |
| E-7 | | HZY6-13217-004 | BEARING G, CONNECTING ROD(RE D) | 8 | |
| E-7 | 8 | HPPA-13310-000 | CRANKSHAFT COMP. | 1 | |
| E-7 | 9 | HPNA-13321-003 | BEARING A, MAIN UPPER(BLUE) | 5 | (DAIDO) |
| E-7 | | HPNA-13322-003 | BEARING B, MAIN UPPER(BLACK) | 5 | (DAIDO) |
| E-7 | | HPNA-13323-003 | BEARING C, MAIN UPPER(BROWN) | 5 | (DAIDO) |
| E-7 | | HPNA-13324-003 | BEARING D, MAIN UPPER(GREEN) | 5 | (DAIDO) |
| E-7 | | HPNA-13325-003 | BEARING E, MAIN UPPER(YELLOW) | 5 | (DAIDO) |
| E-7 | | HPNA-13326-003 | BEARING F, MAIN UPPER(PINK) | 5 | (DAIDO) |
| E-7 | 10 | HZY6-13331-013 | WASHER, THRUST | 2 | |
| E-7 | 11 | HPNA-13341-003 | BEARING A, MAIN LOWER(BLUE) | 5 | (DAIDO) |
| E-7 | | HPNA-13342-003 | BEARING B, MAIN LOWER(BLACK) | 5 | (DAIDO) |
| E-7 | | HPNA-13343-003 | BEARING C, MAIN LOWER(BROWN) | 5 | (DAIDO) |
| E-7 | | HPNA-13344-003 | BEARING D, MAIN LOWER(GREEN) | 5 | (DAIDO) |
| E-7 | | HPNA-13345-003 | BEARING E, MAIN LOWER(YELLOW) | 5 | (DAIDO) |
| E-7 | | HPNA-13346-003 | BEARING F, MAIN LOWER(PINK) | 5 | (DAIDO) |
| E-7 | 12 | HRAA-13620-A02 | SPROCKET COMP., CHAIN DRIVE | 1 | |

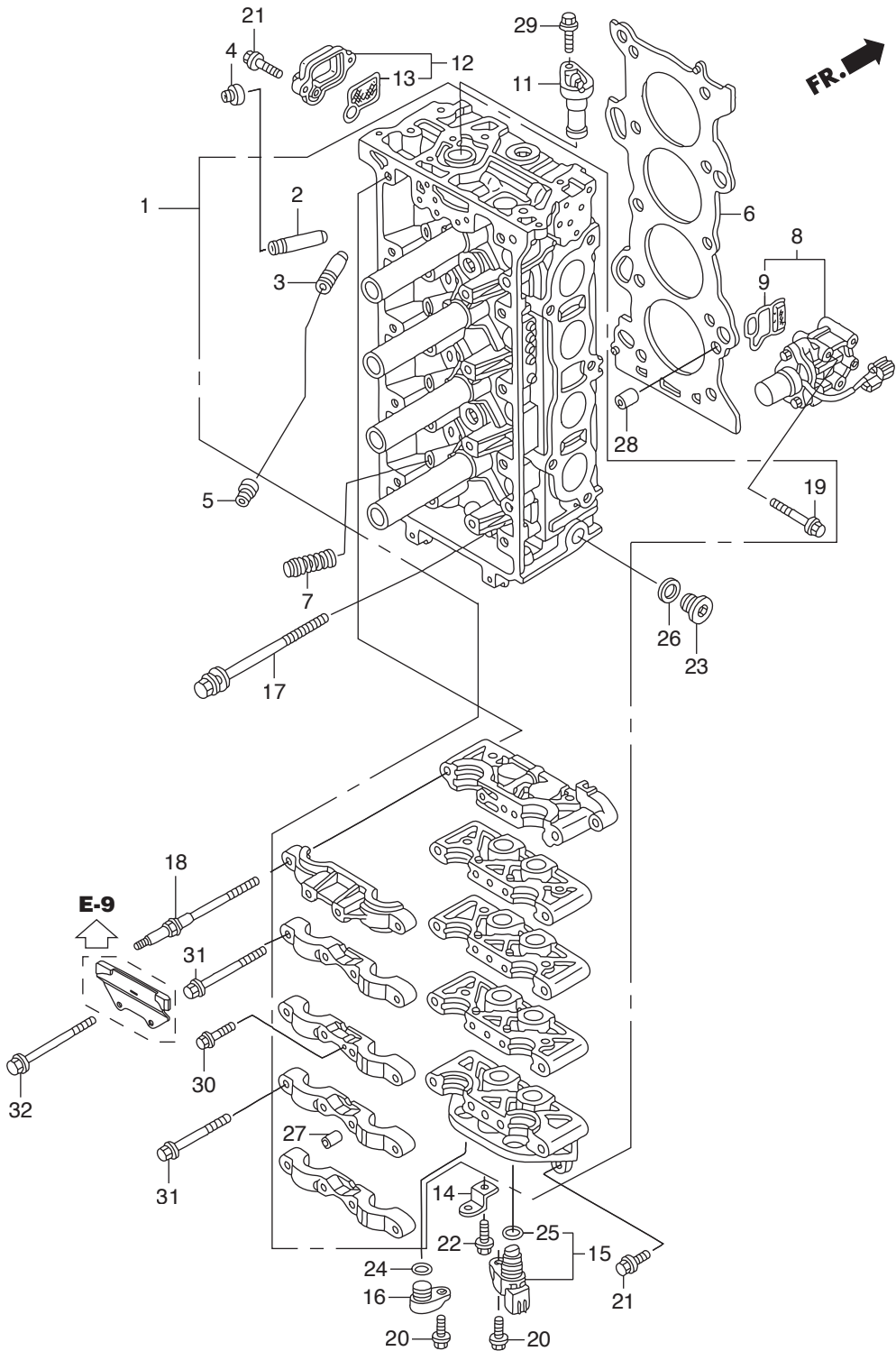




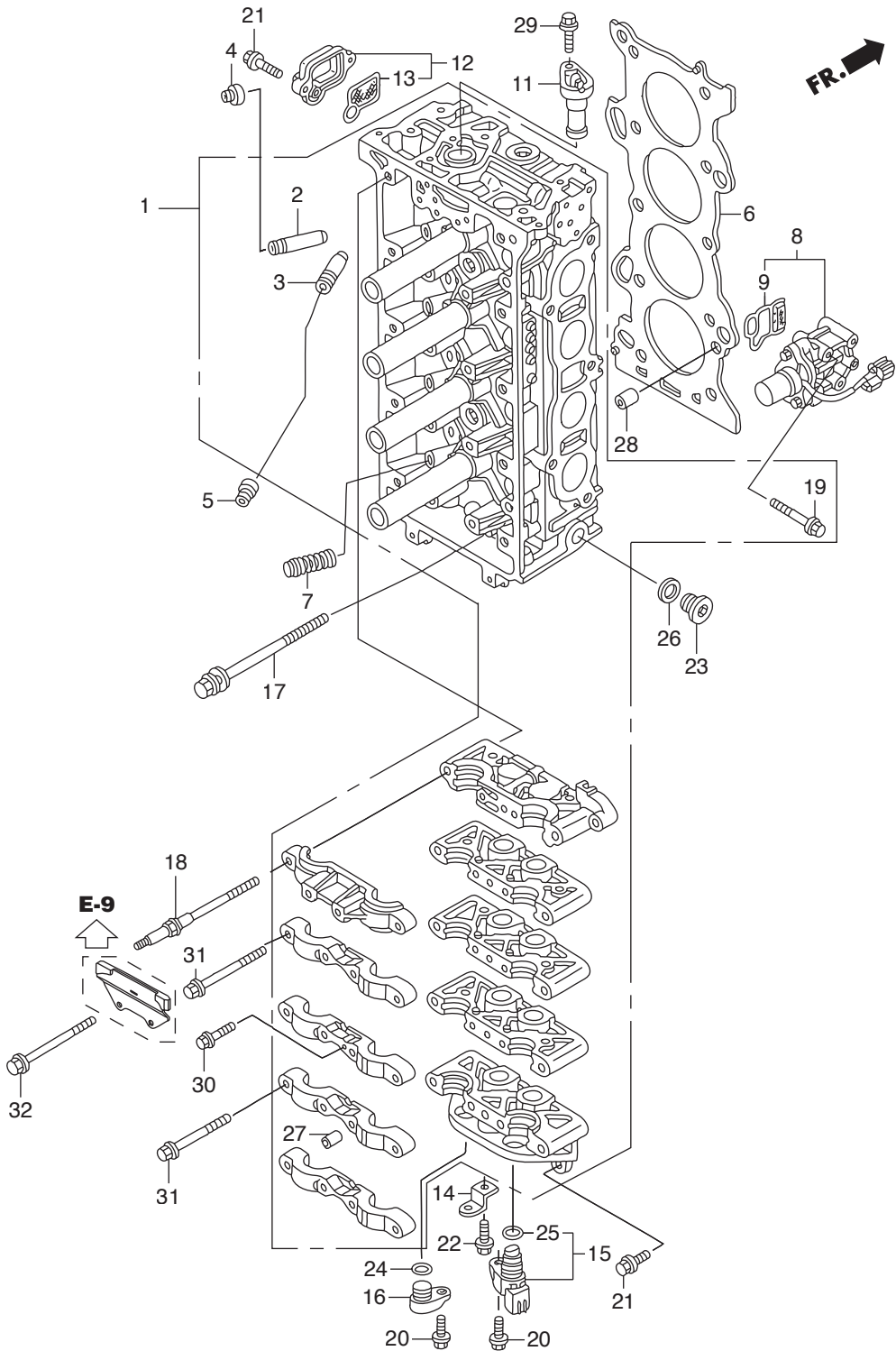
| Ref.No. | Part No. | Description | Q' ty | Remarks | |
|---------|----------|----------------|--------------------------------|---------|------------------|
| | | | BFT150A | | |
| E-9 | 2 | HZY6-14110-000 | CAMSHAFT COMP., IN. | 1 | |
| E-9 | 3 | HPNA-14114-003 | PLATE, TDC PULSE | 1 | |
| E-9 | 4 | HPNA-14115-000 | BOLT, SEALING, 14MM | 2 | |
| E-9 | 5 | HZY6-14120-000 | CAMSHAFT COMP., EX. | 1 | |
| E-9 | 6 | HPNA-14210-000 | SPROCKET, CAM CHAIN DRIVEN | 1 | (46T) |
| E-9 | 7 | HZY6-14311-000 | SPROCKET, CAM CHAIN DRIVEN IN. | 1 | (46T) |
| E-9 | 8 | HR40-14401-A01 | CHAIN(176L)(DAIDO) | 1 | |
| E-9 | 9 | HZY6-14510-003 | TENSIONER ASSY., CAM CHAIN | 1 | |
| E-9 | 10 | HPNA-14511-003 | STOPPER(TOOL) | 1 | |
| E-9 | 11 | HPPA-14520-003 | ARM COMP., CAM CHAIN TENSIONER | 1 | |
| E-9 | 12 | HPPA-14530-003 | GUIDE COMP., CAM CHAIN | 1 | |
| E-9 | 13 | HRWC-14540-A02 | GUIDE COMP. B, CAM CHAIN | 1 | |
| E-9 | 14 | HPNA-14620-040 | ARM ASSY., ROCKER | 4 | |
| E-9 | 16 | HRAA-14624-A00 | ARM ASSY., EX. ROCKER | 4 | |
| E-9 | 17 | HPNA-14631-000 | SHAFT, ROCKER | 1 | |
| E-9 | 18 | HR40-14633-A00 | SHAFT, EX. ROCKER | 1 | |
| E-9 | 19 | HRAA-14647-A00 | WASHER, THRUST | 8 | |
| E-9 | 20 | HPNA-14711-000 | VALVE, IN. | 8 | |
| E-9 | 21 | HPRB-14721-A00 | VALVE, EX. | 8 | |
| E-9 | 22 | HPCX-14744-014 | SCREW, TAPPET ADJUSTING | 8 | |
| E-9 | 23 | HPNA-14744-004 | SCREW, TAPPET ADJUSTING | 8 | |
| E-9 | 24 | HZY6-14751-003 | SPRING, IN. VALVE(PINK) | 8 | (NIPPON HATSUJO) |
| E-9 | 25 | HPNA-14762-003 | SPRING, EX. VALVE(GRAY) | 8 | (NIPPON HATSUJO) |
| E-9 | 26 | HRAA-14765-A00 | RETAINER, VALVE SPRING | 16 | |
| E-9 | 27 | HPT0-14775-000 | SEAT, VALVE SPRING | 16 | |
| E-9 | 28 | HRGM-14781-A01 | COTTER, VALVE(FUJI VALVE) | 32 | |
| E-9 | 29 | HPNA-90003-000 | BOLT, TENSIONER PIVOT | 1 | |
| E-9 | 30 | HPNA-90032-000 | BOLT, FLANGE, 12X47 | 1 | |
| E-9 | 31 | HPNA-90042-003 | BOLT, FLANGE, 10X32 | 1 | |

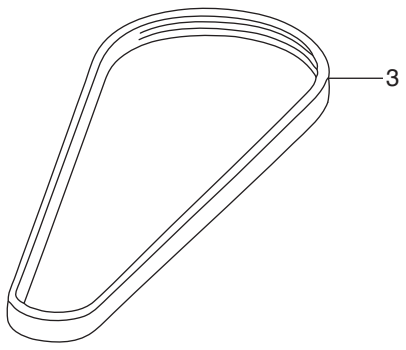
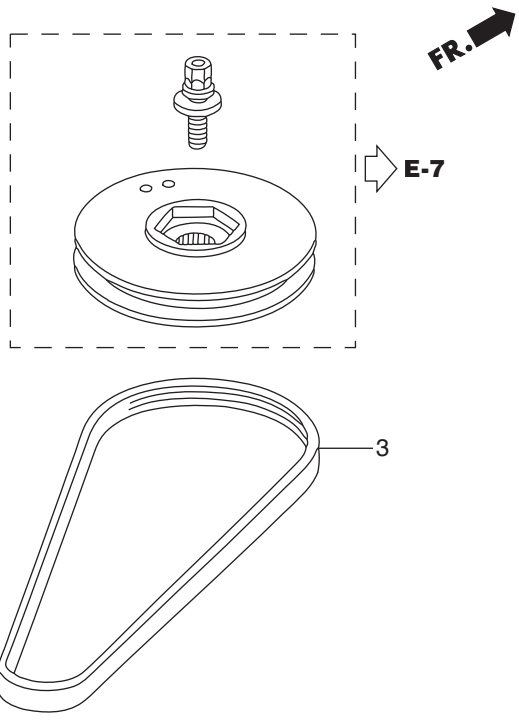
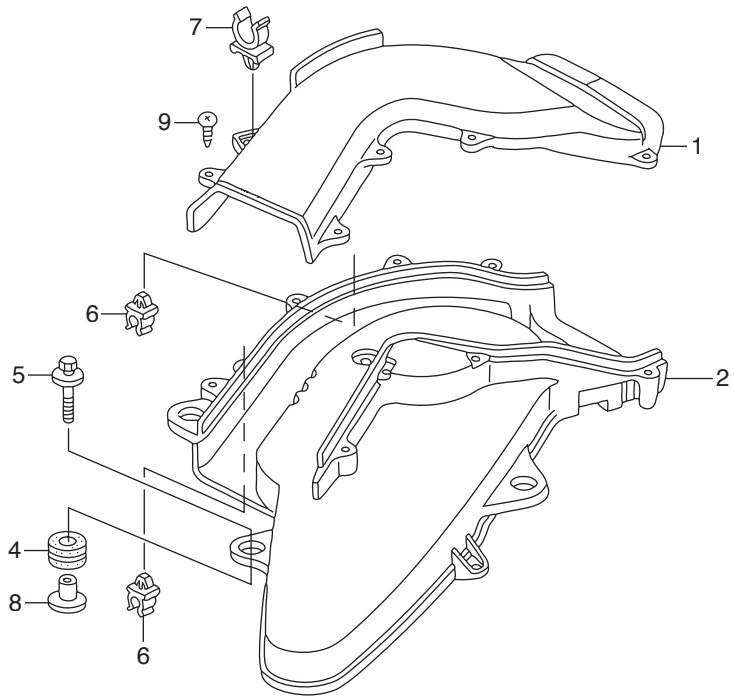


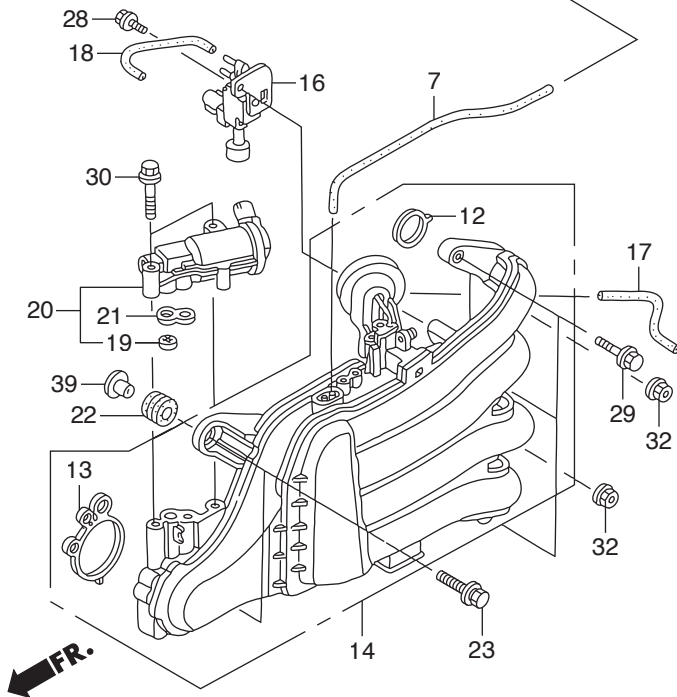
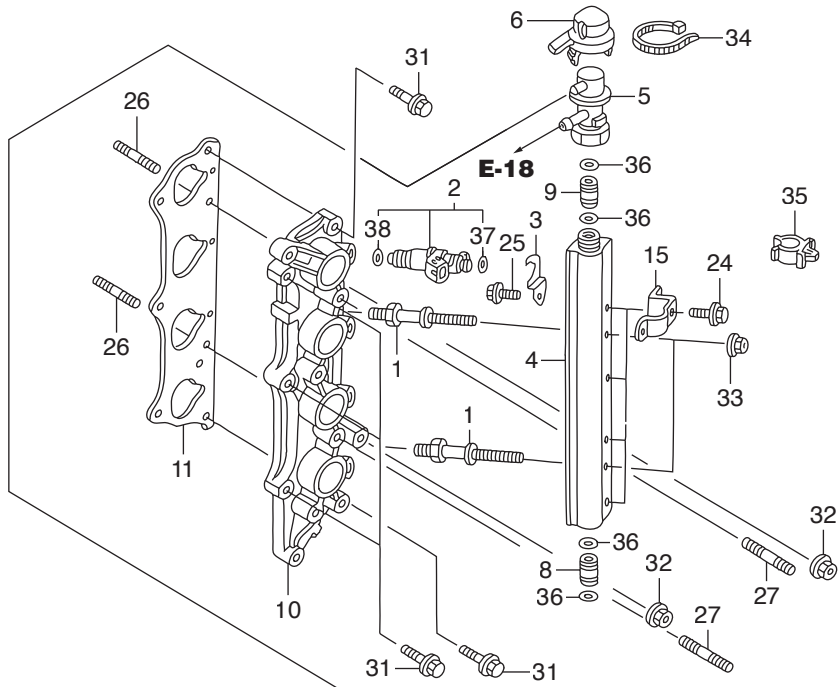
| Ref.No. | Part No. | Description | Q' ty | Remarks | |
|---------|----------|------------------|-------------------------------|---------|-----------------|
| | | | BFT150A | | |
| E-9-10 | 1 | HZY6-11410-425ZA | CASE ASSY., CHAIN | 1 | *NH8* DARK GRAY |
| E-9-10 | 2 | HZY6-11412-000 | COVER, CHAIN CASE | 1 | |
| E-9-10 | 3 | HZY3-19300-023 | THERMOSTAT ASSY. | 1 | |
| E-9-10 | 4 | HZY6-19300-003 | THERMOSTAT ASSY. | 1 | |
| E-9-10 | 5 | HZY6-19313-000ZB | SPACER, THERMOSTAT COVER | 1 | *TGRAY* GRAY |
| E-9-10 | 6 | HZY6-19315-010 | COVER, THERMOSTAT | 1 | |
| E-9-10 | 7 | HZY6-19318-010 | PACKING, THERMOSTAT COVER | 1 | |
| E-9-10 | 8 | HZY6-19319-000 | PACKING, THERMOSTAT SPACER | 1 | |
| E-9-10 | 9 | HZY6-32112-000 | BRACKET B, HARNESS CLIP | 1 | |
| E-9-10 | 10 | HZY6-32113-000 | BRACKET C, HARNESS CLIP | 1 | |
| E-9-10 | 11 | HZW5-35673-003 | SENSOR ASSY., WATER | 1 | TEMPERATURE |
| E-9-10 | 12 | HZY3-35673-003 | SENSOR ASSY., WATER | 1 | TEMPERATURE |
| E-9-10 | 13 | HPNB-37500-003 | SENSOR ASSY., CRANK | 1 | |
| E-9-10 | 14 | HZW9-90011-000 | BOLT, FLANGE, 6X14(CT200) | 5 | |
| E-9-10 | 15 | HZY3-90016-000 | BOLT, FLANGE, 6X28 | 13 | |
| E-9-10 | 16 | HZY3-90017-000 | BOLT, FLANGE, 6X16 | 1 | |
| E-9-10 | 17 | HZY3-90021-000 | BOLT, FLANGE, 6X14 | 3 | |
| E-9-10 | 18 | HZY6-90023-000 | BOLT, SPECIAL, 6X31 | 2 | |
| E-9-10 | 19 | HZY3-90040-000 | BOLT, FLANGE, 10X43 | 2 | |
| E-9-10 | 20 | HZY6-90059-000 | BOLT, FLANGE, 6X38 | 1 | |
| E-9-10 | 21 | HZW4-90162-000 | BOLT, FLANGE, 10X70 | 1 | |
| E-9-10 | 22 | HPNC-91212-004 | OIL SEAL, 43X58X7(ARAI) | 1 | |
| E-9-10 | 23 | HPNA-91302-004 | O-RING, CHAIN CASE | 1 | |
| E-9-10 | 24 | HZY6-91304-010 | PACKING, CHAIN CASE | 1 | |
| E-9-10 | 25 | HPK2-91307-005 | O-RING, 9.5X1.5(HONDA KIKAKI) | 1 | |
| E-9-10 | 26 | HPNA-91307-003 | O-RING, 9.5X1.9 | 1 | |
| E-9-10 | 27 | HPNA-91333-003 | O-RING, 15X1.9 | 1 | |
| E-9-10 | 28 | HSP0-91546-A01 | CLAMP, 18.5MM | 1 | |
| | | | | | |



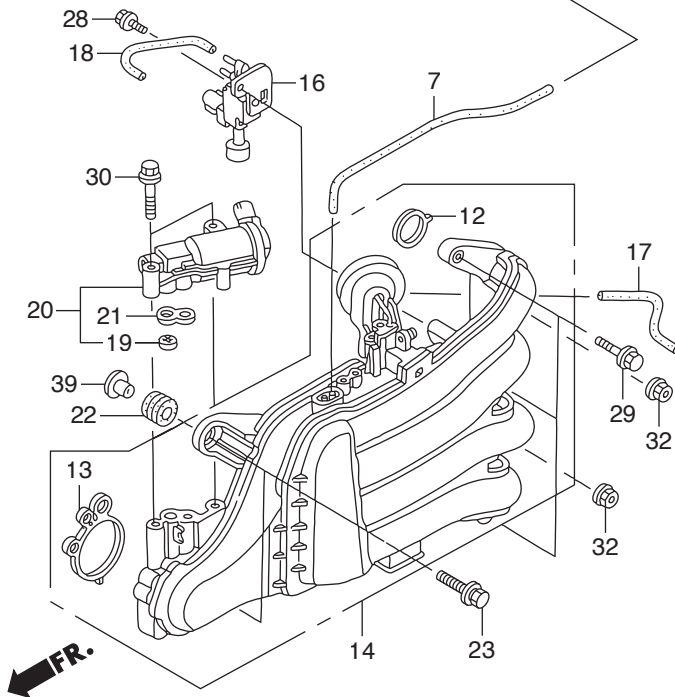
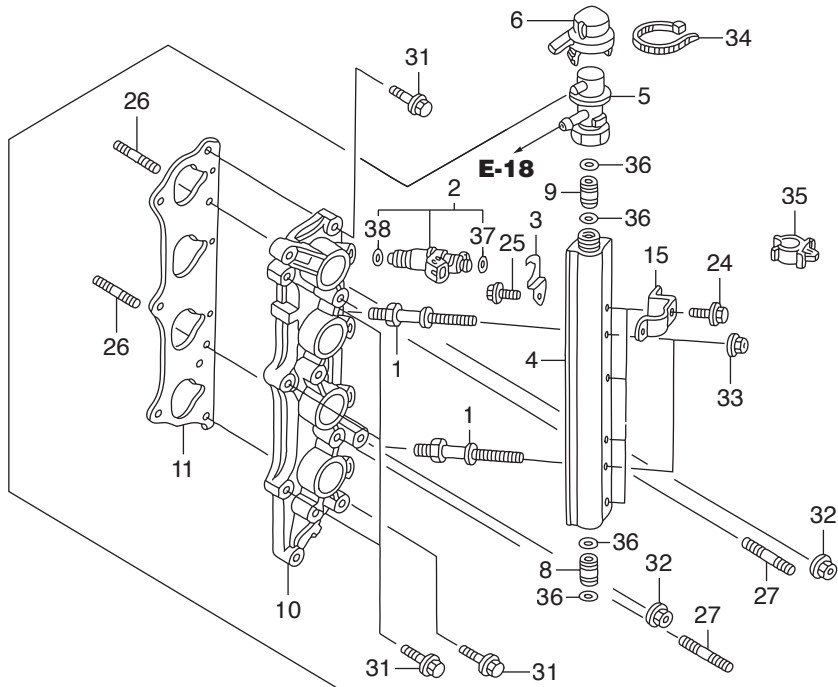
| Ref.No. | Part No. | Description | Q' ty | Remarks | |
|---------|----------|------------------|-----------------------------|---------|-----------------|
| | | | BFT150A | | |
| E-9-20 | 1 | HZY6-06122-010ZA | HEAD KIT, CYLINDER | 1 | *NH8* DARK GRAY |
| E-9-20 | 2 | HPNA-12204-305 | GUIDE, IN. VALVE(OS) | 8 | |
| E-9-20 | 3 | HPNA-12205-305 | GUIDE, EX. VALVE(OS) | 8 | |
| E-9-20 | 4 | HPZ1-12210-003 | SEAL A, VALVE STEM(ARAI) | 8 | |
| E-9-20 | | HPZ1-12210-004 | SEAL A, VALVE STEM(NOK) | 8 | |
| E-9-20 | 5 | HPZ1-12211-003 | SEAL B, VALVE STEM(ARAI) | 8 | |
| E-9-20 | | HPZ1-12211-004 | SEAL B, VALVE STEM(NOK) | 8 | |
| E-9-20 | 6 | HZY6-12251-003 | GASKET COMP., CYLINDER HEAD | 1 | |
| E-9-20 | 7 | HPNA-14820-013 | MOTION COMP., LOST | 4 | |
| E-9-20 | 8 | HZY6-15810-013ZA | VALVE ASSY., SPOOL | 1 | *NH8* DARK GRAY |
| E-9-20 | 9 | HRAA-15815-A02 | FILTER ASSY., SPOOL VALVE | 1 | |
| E-9-20 | 11 | HZY6-15834-000 | PLUG, VTC HOLE | 1 | |
| E-9-20 | 12 | HZY6-15840-000ZA | STRAINER ASSY., VTC | 1 | *NH8* DARK GRAY |
| E-9-20 | 13 | HRAA-15845-A01 | FILTER ASSY., VTC | 1 | |
| E-9-20 | 14 | HZY6-32116-000 | BRACKET F, CLIP | 1 | |
| E-9-20 | 15 | HPNB-37510-003 | SENSOR ASSY., TDC | 1 | |
| E-9-20 | 16 | HZY6-37521-000 | PLUG, TDC HOLE | 1 | |
| E-9-20 | 17 | HPNA-90005-003 | BOLT-WASHER, 11X155 | 10 | |
| E-9-20 | 18 | HPNA-90011-003 | BOLT A, HEAD COVER | 6 | |
| E-9-20 | 19 | HZY6-90011-000 | BOLT, FLANGE, 6X52 | 3 | |
| E-9-20 | 20 | HZY3-90017-000 | BOLT, FLANGE, 6X16 | 2 | |
| E-9-20 | 21 | HZW5-90018-000 | BOLT, FLANGE, 6X20 | 4 | |
| E-9-20 | 22 | HZY3-90021-000 | BOLT, FLANGE, 6X14 | 1 | |
| E-9-20 | 23 | HZY6-90048-010 | BOLT, SEALING, 20MM | 1 | |
| E-9-20 | 24 | HZY6-91303-003 | O-RING, 15X1.9 | 1 | |
| E-9-20 | 25 | HPNA-91333-003 | O-RING, 15X1.9 | 1 | |
| E-9-20 | 26 | HCO-94109-20000 | WASHER, DRAIN PLUG, 20MM | 1 | |
| E-9-20 | 27 | HCO-94301-10160 | DOWEL PIN, 10X16 | 20 | |
| E-9-20 | 28 | HCO-94301-14200 | DOWEL PIN, 14X20 | 2 | |

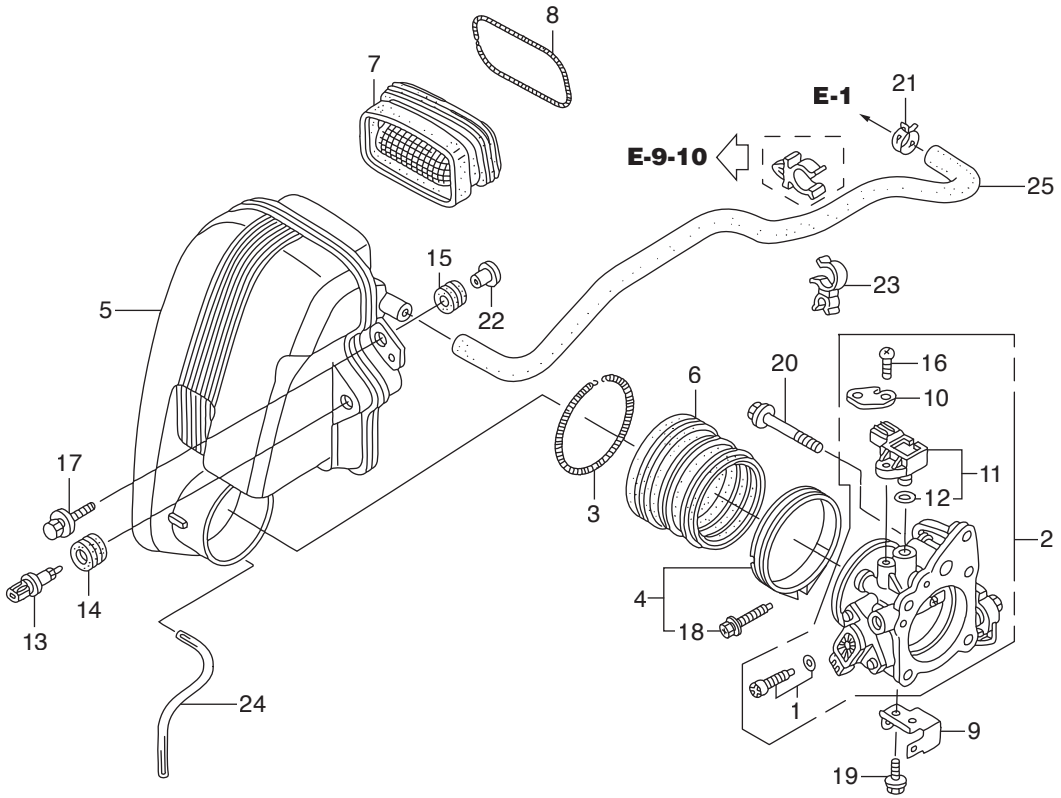






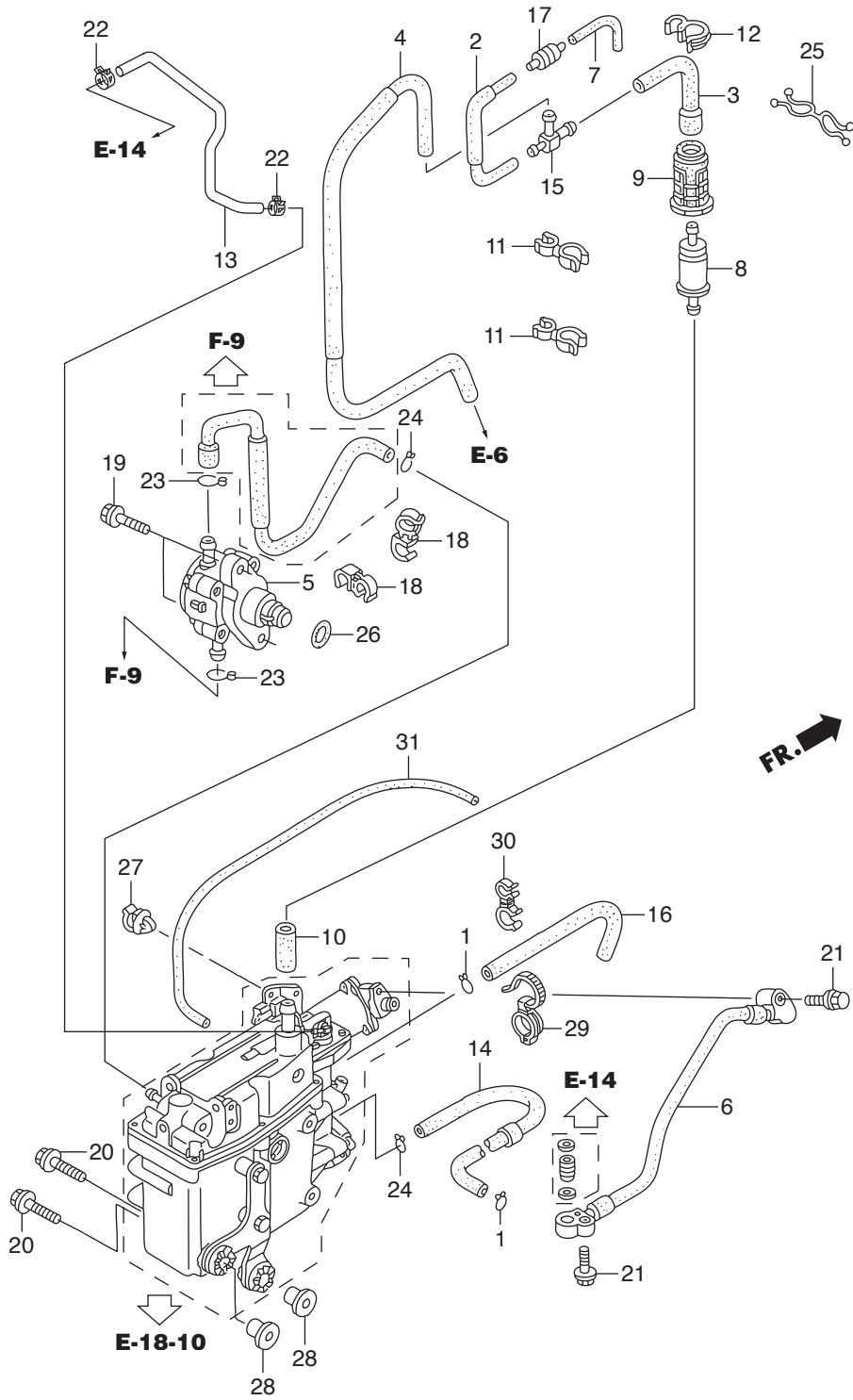
| Ref.No. | Part No. | Description | Q' ty | Remarks | |
|---------|----------|------------------|------------------------------|---------|--------------------------|
| | | | BFT150A | | |
| E-14 | 1 | HZY6-16089-000 | BOLT, FUEL PIPE | 2 | |
| E-14 | 2 | HZY6-16450-003 | INJECTOR ASSY., FUEL | 4 | |
| E-14 | 3 | HZY6-16451-000 | CLIP, INJECTOR | 4 | |
| E-14 | 4 | HZY6-16621-000 | LINE, FUEL | 1 | |
| E-14 | 5 | HZY6-16740-003 | REGULATOR ASSY., PRESSURE | 1 | |
| E-14 | 6 | HZY6-16744-010 | CAP, REGULATOR | 1 | |
| E-14 | 7 | HZY6-16748-000 | TUBE, PRESSURE REGULATOR | 1 | CONTROL |
| E-14 | 8 | HZY3-16752-000 | JOINT, FUEL PIPE | 1 | |
| E-14 | 9 | HZY6-16752-000 | JOINT, FUEL PIPE | 1 | |
| E-14 | 10 | HZY6-17051-000ZA | BASE, INJECTOR | 1 | *NH8* DARK GRAY |
| E-14 | 11 | HPNA-17055-004 | GASKET A, INJECTOR BASE | 1 | |
| E-14 | 12 | HZY6-17105-000 | PACKING, INTAKE MANIFOLD | 4 | |
| E-14 | 13 | HZY6-17109-000 | PACKING, THROTTLE BODY | 1 | |
| E-14 | 14 | HZY6-17110-003 | MANIFOLD COMP., INTAKE | 1 | |
| E-14 | 15 | HZY6-32111-000 | BRACKET A, HARNESS CLIP | 4 | |
| E-14 | 16 | HZY3-36163-003 | VALVE ASSY., AIR BYPASS | 1 | |
| E-14 | 17 | HZY6-36364-000 | TUBE, DIAPHRAGM | 1 | |
| E-14 | 18 | HZY6-36366-000 | TUBE, BYPASS SOLENOID | 1 | |
| E-14 | 19 | HPS4-36454-003 | FILTER COMP., ELECTRONIC AIR | 1 | CONTROL VALVE(TOYO ROKI) |
| E-14 | 20 | HZY6-36550-003 | VALVE ASSY., ELECTRONIC AIR | 1 | CONTROL |
| E-14 | 21 | HZY6-36551-003 | PACKING, ELECTRONIC AIR | 1 | CONTROL VALVE |
| E-14 | 22 | H121-51640-730 | RUBBER, FR. CARRIER CUSHION | 2 | |
| E-14 | 23 | HZW1-90014-000 | BOLT-WASHER, 8X35 | 2 | |
| E-14 | 24 | HZY3-90021-000 | BOLT, FLANGE, 6X14 | 4 | |
| E-14 | 25 | HZY3-90042-000 | BOLT, FLANGE, 6X10 | 4 | |
| E-14 | 26 | HZY6-90043-000 | BOLT, STUD 2, 8X25 | 2 | |
| E-14 | 27 | HZY6-90047-000 | BOLT, STUD, 8X32 | 2 | |
| E-14 | 28 | HZY6-90049-000 | BOLT, FLANGE, 5X12 | 1 | |
| E-14 | 29 | HZY3-90054-000 | BOLT, FLANGE, 8X35 | 3 | |



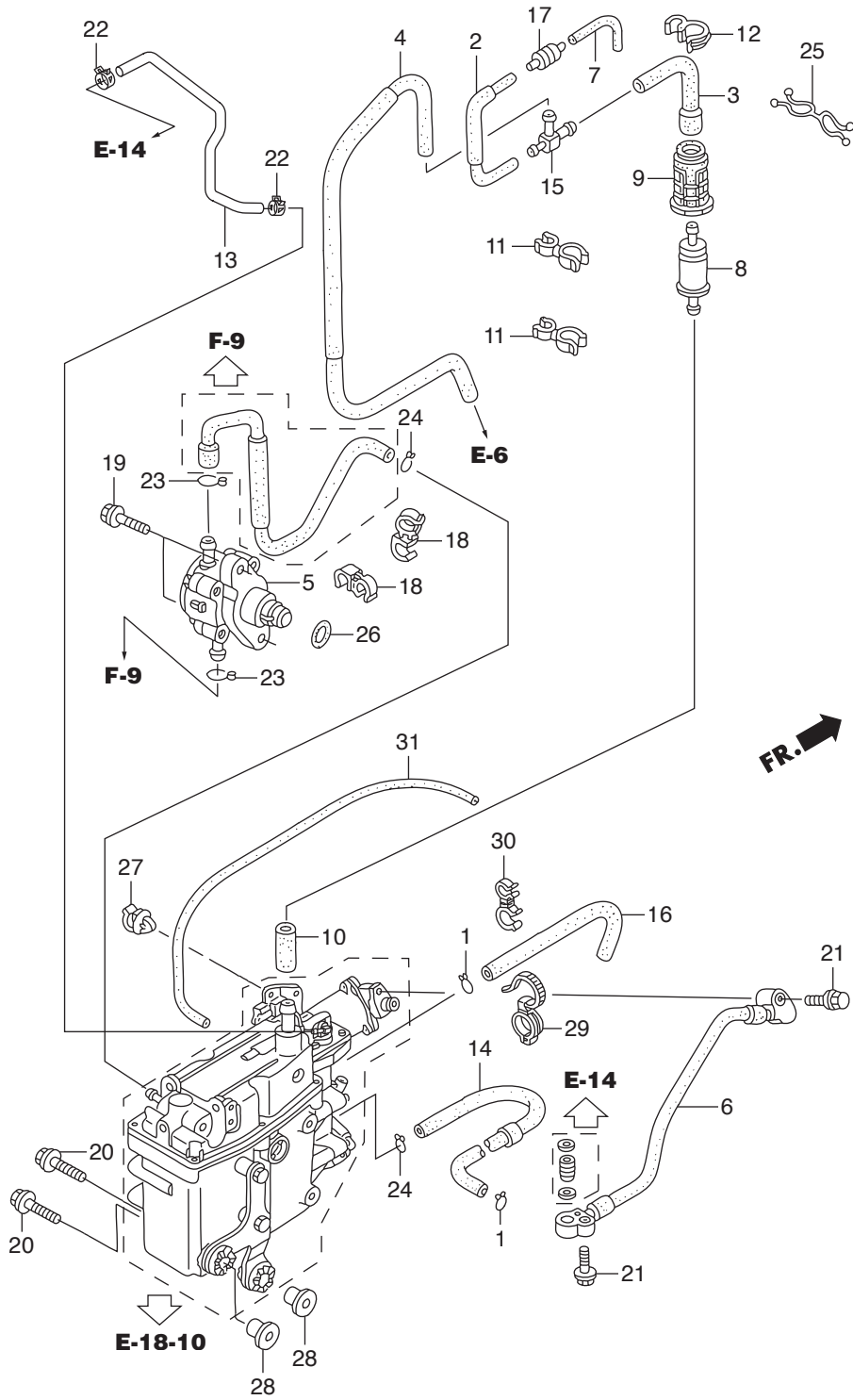


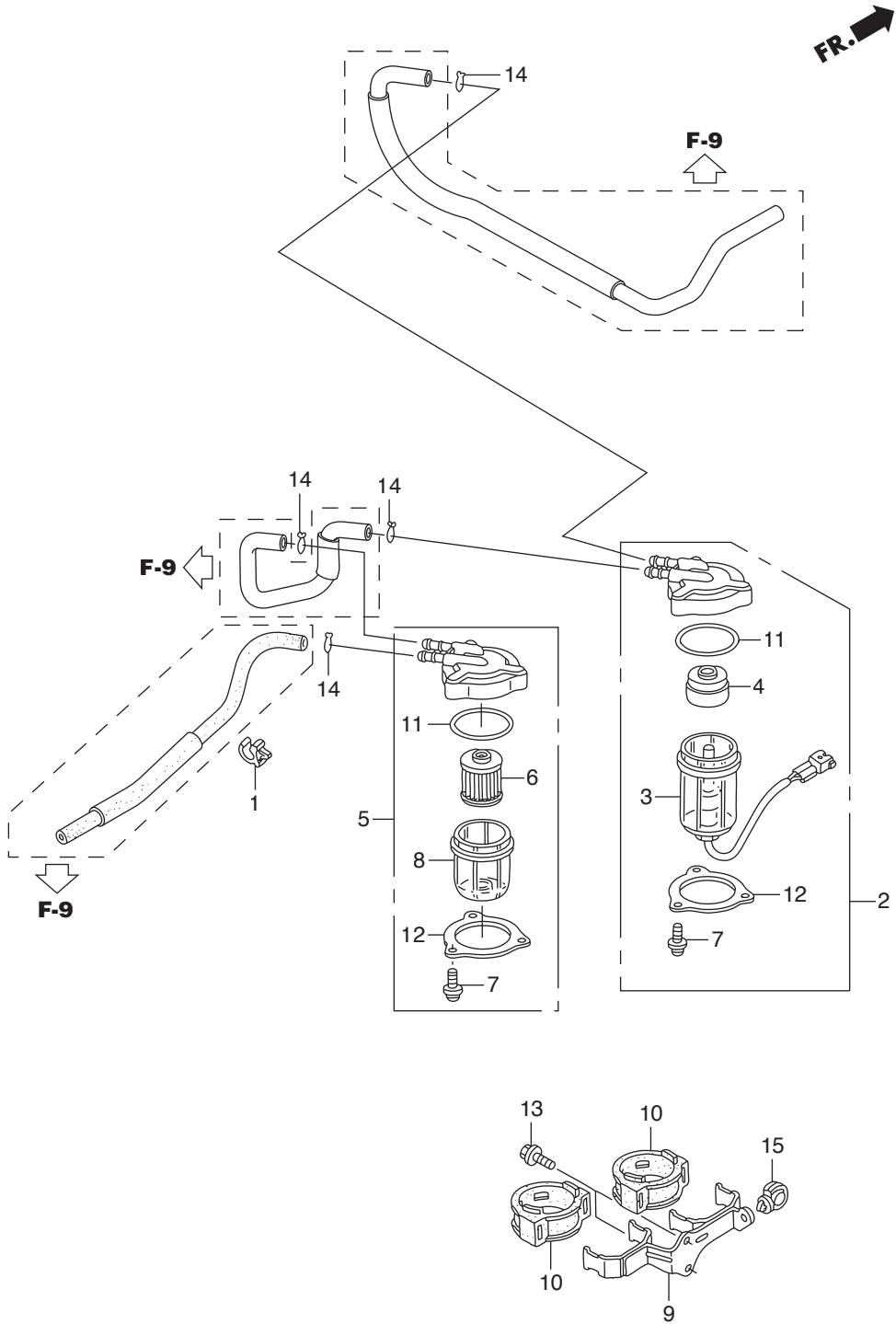
FR.

| Ref.No. | Part No. | Description | Q' ty | Remarks | |
|---------|----------|--------------------|-------------------------------|---------|---------------------|
| | | | BFT150A | | |
| E-15 | 1 | HZY6-16016-003 | SCREW SET | 1 | |
| E-15 | 2 | HZY6-16400-013 | THROTTLE BODY ASSY. | 1 | |
| E-15 | 3 | HPY3-17249-000 | SPRING, AIR FLOW TUBE | 1 | |
| E-15 | 4 | HZY9-17315-000 | BAND, AIR FLOW | 1 | |
| E-15 | 5 | HZY6-17371-020 | CASE COMP., SILENCER | 1 | |
| E-15 | 6 | HZY6-17374-000 | GROMMET, SILENCER | 1 | |
| E-15 | 7 | HZY6-17397-013 | GROMMET, SILENCER DUCT | 1 | |
| E-15 | 8 | HZY6-17398-000 | SPRING, SILENCER DUCT GROMMET | 1 | |
| E-15 | 9 | HZY6-32115-000 | BRACKET E, HARNESS CLIP | 1 | |
| E-15 | 10 | HZY3-32128-000 | BRACKET, SENSOR CORD | 1 | |
| E-15 | 11 | HRNA-37830-A01 | SENSOR ASSY., MAP | 1 | |
| E-15 | 12 | HPGK-37835-A01 | O-RING | 1 | |
| E-15 | 13 | HPLC-37880-004 | SENSOR ASSY., AIR TEMP | 1 | (MATSUSHITA DENSHI) |
| E-15 | 14 | HP2A-37881-000 | GROMMET, TA SENSOR | 1 | |
| E-15 | 15 | HZV5-40102-000 | GROMMET, UNDER CASE | 3 | |
| E-15 | 16 | HZY6-90006-000 | SCREW, PAN, 5X18 | 1 | |
| E-15 | 17 | HZW1-90013-000 | BOLT-WASHER, 6X25 | 3 | |
| E-15 | 18 | HZY9-90017-000 | BOLT-WASHER, 5X30 | 1 | |
| E-15 | 19 | HZY3-90056-000 | BOLT, FLANGE, 6X12 | 1 | |
| E-15 | 20 | HZV1-90127-010 | BOLT, FLANGE, 8X60 | 4 | |
| E-15 | 21 | HZV3-90601-030 | CLAMP, TUBE(D17) | 1 | |
| E-15 | 22 | HZV5-91553-010 | COLLAR, C.D.I. UNIT CASE | 3 | |
| E-15 | 23 | HSF1-91595-003 | CLAMP, FUEL HOSE | 1 | |
| E-15 | 24 | HCO-95003-07016-31 | TUBE, VINYL, 4X7X160 | 1 | HC-95003-07001-60M |
| E-15 | 25 | HCO-95005-12740-20 | TUBE, 12X740 | 1 | HC-95005-12001-20M |
| | | | | | |
| | | | | | |
| | | | | | |
| | | | | | |



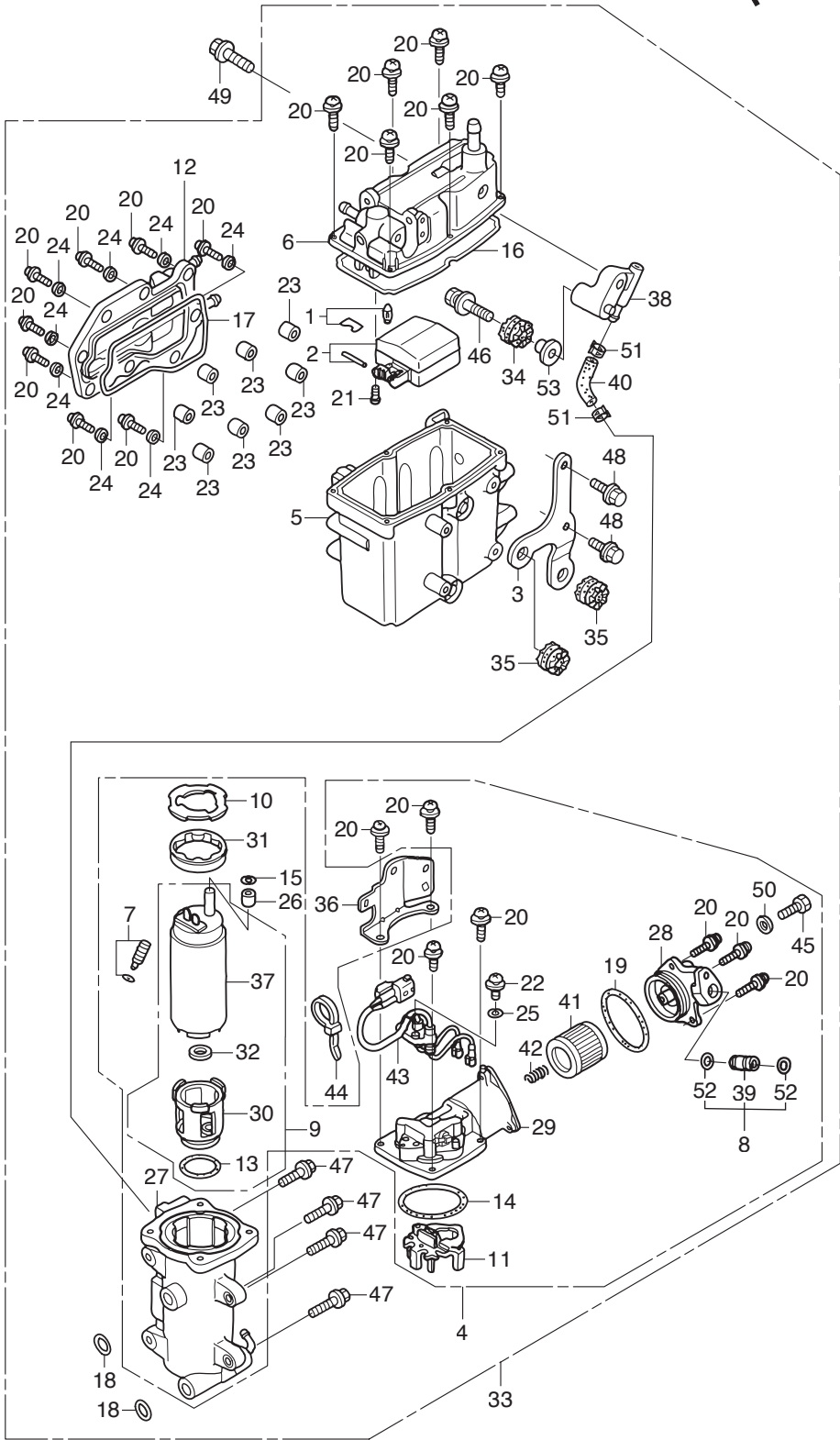
| Ref.No. | Part No. | Description | Q' ty | Remarks | |
|---------|----------|----------------|--------------------------|---------|--------|
| | | | BFT150A | | |
| E-18 | 1 | HGHB-16163-610 | CLIP, TUBE | 2 | |
| E-18 | 2 | HZY6-16196-000 | TUBE COMP. C, AIR VENT | 1 | |
| E-18 | 3 | HZY6-16198-000 | TUBE B, AIR VENT | 1 | |
| E-18 | 4 | HZY6-16199-000 | TUBE COMP., AIR VENT | 1 | |
| E-18 | 5 | HZY6-16700-013 | PUMP ASSY., FUEL | 1 | |
| E-18 | 6 | HZY6-16755-003 | HOSE COMP., FUEL | 1 | |
| E-18 | 7 | HZV5-16881-000 | TUBE D, FUEL | 1 | |
| E-18 | 8 | H759-16911-003 | STRAINER, FUEL PUMP | 1 | |
| E-18 | 9 | HZW5-16915-000 | SUSPENSION, STRAINER | 1 | |
| E-18 | 10 | HMZ5-16952-000 | TUBE B, FUEL | 1 | |
| E-18 | 11 | HVM0-16965-771 | CLAMP, HOSE | 2 | |
| E-18 | 12 | HKV7-17368-671 | CLAMP, PIPE | 1 | |
| E-18 | 13 | HZY6-17723-020 | HOSE, PRESSURE REGULATOR | 1 | RETURN |
| E-18 | 14 | HZY6-19267-010 | TUBE F, WATER | 1 | |
| E-18 | 15 | HZY6-19269-000 | T-JOINT | 1 | |
| E-18 | 16 | HZY6-19273-000 | TUBE G, WATER | 1 | |
| E-18 | 17 | HZY6-36135-003 | VALVE, CHECK | 1 | |
| E-18 | 18 | HSE0-53740-953 | CLIP, SENSOR HOSE | 2 | |
| E-18 | 19 | HZY6-90010-000 | BOLT, FLANGE, 6X27 | 2 | |
| E-18 | 20 | HZW1-90014-000 | BOLT-WASHER, 8X35 | 2 | |
| E-18 | 21 | HZW9-90016-000 | BOLT, FLANGE, 6X25 | 2 | |
| E-18 | 22 | HZW5-90601-030 | CLAMP, TUBE(D10.7) | 2 | |
| E-18 | 23 | HZY6-90601-000 | CLIP, TUBE(B1 14.5) | 2 | |
| E-18 | 24 | HZV0-90604-000 | CLIP, TUBE(B12) | 2 | |
| E-18 | 25 | HZY6-90605-003 | CLIP, FUEL HOSE | 1 | |
| E-18 | 26 | HPA9-91317-003 | O-RING, 33.2X2.4(NOK) | 1 | |
| E-18 | 27 | HSE0-91547-003 | CLIP, HARNESS | 1 | |
| E-18 | 28 | HZW1-91554-000 | COLLAR, 8.5X14.5 | 2 | |
| E-18 | 29 | HSM4-91558-003 | CLIP, TUBE(BLACK)(135MM) | 1 | |





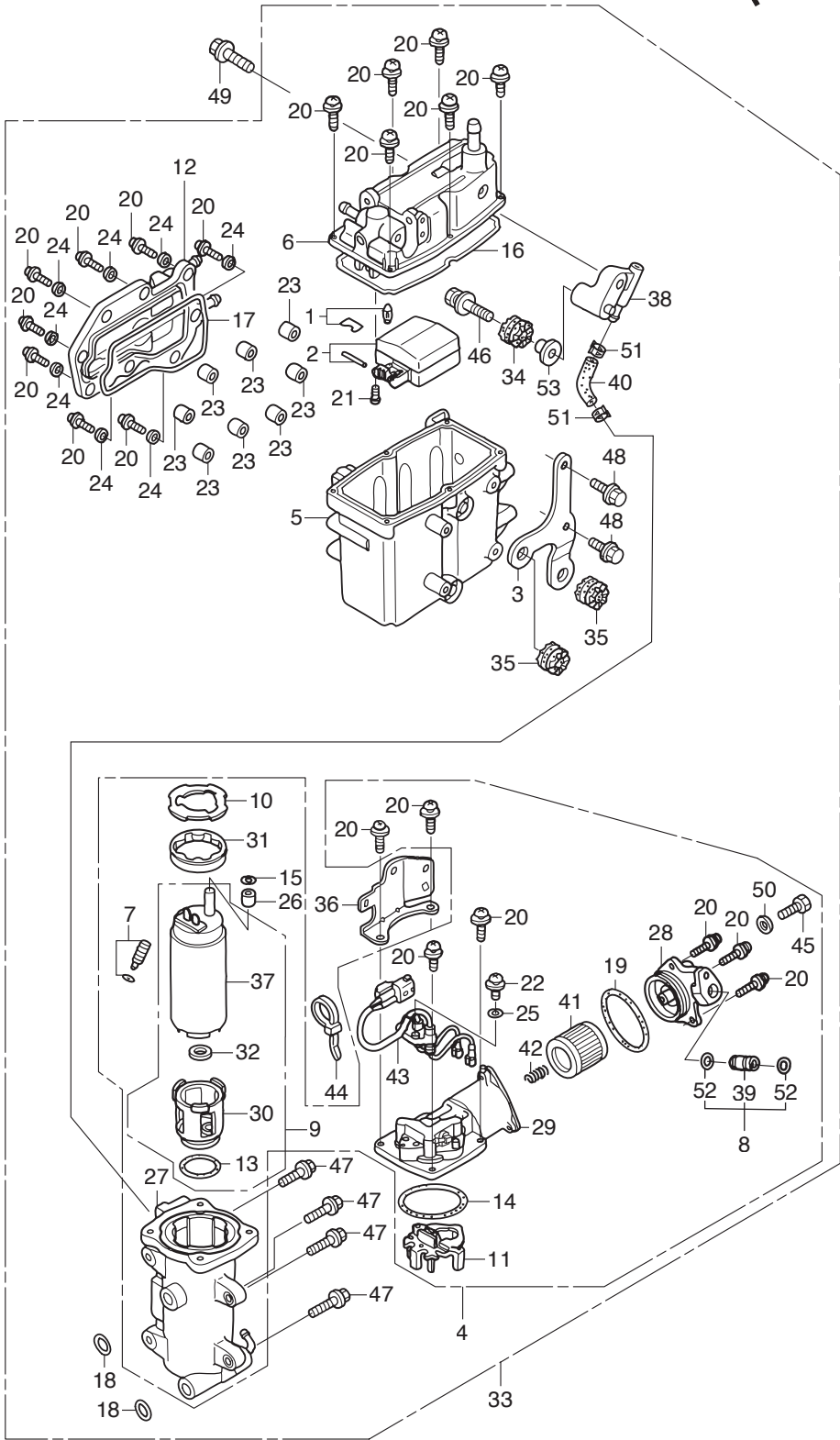
| Ref.No. | Part No. | Description | Q' ty | Remarks | |
|---------|----------|----------------|--------------------------|---------|--|
| | | | BFT150A | | |
| E-18-1 | 1 | HZE2-16731-003 | CLIP, TUBE | 1 | |
| E-18-1 | 2 | HZY6-16800-003 | SEPARATOR ASSY., WATER | 1 | |
| E-18-1 | 3 | HZY6-16805-003 | CUP SET, WATER SEPARATOR | 1 | |
| E-18-1 | 4 | HZY3-16807-003 | BUFFER, PLATE | 1 | |
| E-18-1 | 5 | HZY3-16900-003 | STRAINER COMP., FUEL | 1 | |
| E-18-1 | 6 | HZY3-16901-003 | STRAINER, FUEL | 1 | |
| E-18-1 | 7 | HZY3-16904-003 | SCREW, PAN, 5X12 | 6 | |
| E-18-1 | 8 | HZY3-16912-003 | CUP, FUEL STRAINER | 1 | |
| E-18-1 | 9 | HZY6-16914-010 | STAY, FUEL STRAINER | 1 | |
| E-18-1 | 10 | HZY3-16915-010 | SUSPENSION, STRAINER | 2 | |
| E-18-1 | 11 | HZY3-16918-003 | O-RING | 2 | |
| E-18-1 | 12 | HZY3-16919-003 | PLATE | 2 | |
| E-18-1 | 13 | HZY3-90021-000 | BOLT, FLANGE, 6X14 | 2 | |
| E-18-1 | 14 | HZV0-90604-000 | CLIP, TUBE(B12) | 4 | |
| E-18-1 | 15 | HSA0-90683-003 | CLIP, WIRE HARNESS, 25MM | 1 | |
| | | | | | |
| | | | | | |
| | | | | | |
| | | | | | |
| | | | | | |
| | | | | | |
| | | | | | |
| | | | | | |
| | | | | | |
| | | | | | |
| | | | | | |
| | | | | | |
| | | | | | |
| | | | | | |
| | | | | | |
| | | | | | |
| | | | | | |
| | | | | | |
| | | | | | |
| | | | | | |

FR. →



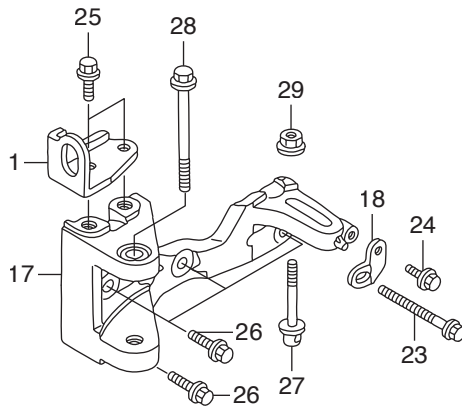
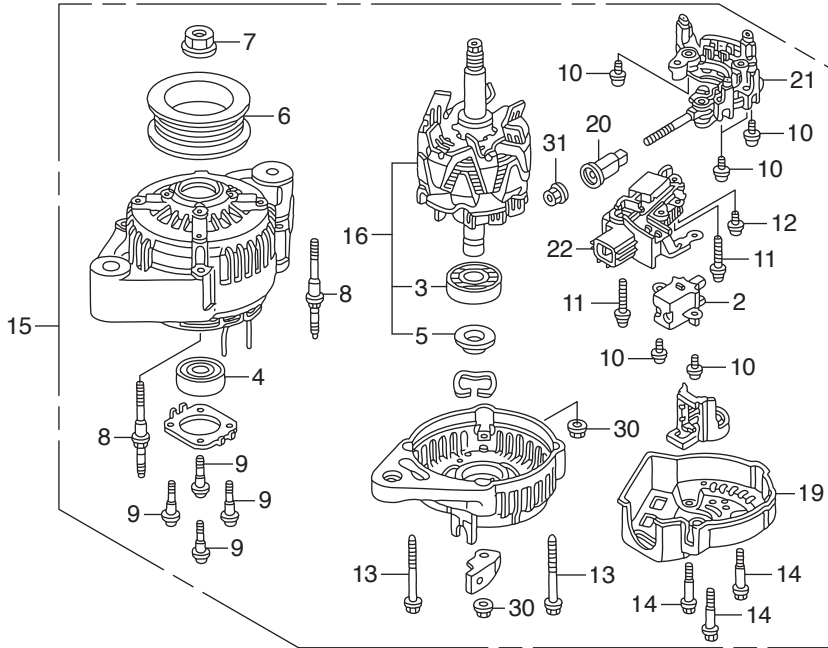
| Ref.No. | Part No. | Description | Q' ty | Remarks | |
|---------|----------|----------------|---------------------|---------|--|
| | | | BFT150A | | |
| E-18-10 | 1 | HZY3-16011-000 | VALVE SET, FLOAT | 1 | |
| E-18-10 | 2 | HZY3-16013-000 | FLOAT SET | 1 | |
| E-18-10 | 3 | HZY6-16014-003 | STAY A, PLATE | 1 | |
| E-18-10 | 4 | HZY6-16017-043 | PUMP UNIT, FUEL | 1 | |
| E-18-10 | 5 | HZY6-16019-003 | BODY COMP., CHAMBER | 1 | |
| E-18-10 | 6 | HZY6-16020-023 | COVER COMP. | 1 | |
| E-18-10 | 7 | HZY3-16024-000 | SCREW SET, DRAIN | 1 | |
| E-18-10 | 8 | HZY3-16026-000 | JOINT SET | 1 | |
| E-18-10 | 9 | HZY6-16036-003 | PUMP UNIT, FUEL(B) | 1 | |
| E-18-10 | 10 | HZY3-16041-000 | PLATE | 1 | |
| E-18-10 | 11 | HZY3-16042-000 | HOLDER | 1 | |
| E-18-10 | 12 | HZY3-16061-000 | COVER, WATER JACKET | 1 | |
| E-18-10 | 13 | HZY3-16072-000 | O-RING | 1 | |
| E-18-10 | 14 | HZY3-16073-000 | O-RING | 1 | |
| E-18-10 | 15 | HZY3-16074-000 | O-RING | 1 | |
| E-18-10 | 16 | HZY3-16075-000 | O-RING | 1 | |
| E-18-10 | 17 | HZY3-16076-000 | O-RING | 1 | |
| E-18-10 | 18 | HZY3-16077-000 | O-RING | 2 | |
| E-18-10 | 19 | HZY3-16078-000 | O-RING | 1 | |
| E-18-10 | 20 | HZW5-16081-010 | SCREW-WASHER | 21 | |
| E-18-10 | 21 | HZY3-16082-000 | SCREW, PAN | 2 | |
| E-18-10 | 22 | HZY3-16083-000 | SCREW, WASHER | 1 | |
| E-18-10 | 23 | HZW5-16086-000 | COLLAR | 8 | |
| E-18-10 | 24 | HZW5-16087-000 | WASHER, PLAIN | 8 | |
| E-18-10 | 25 | HZY3-16087-000 | WASHER, PLAIN | 1 | |
| E-18-10 | 26 | HZY3-16088-000 | COLLAR | 1 | |
| E-18-10 | 27 | HZY6-16701-003 | CASE COMP., PUMP | 1 | |
| E-18-10 | 28 | HZW5-16708-003 | COVER, PUMP(B) | 1 | |
| E-18-10 | 29 | HZW5-16715-023 | COVER, PUMP(A) | 1 | |

FR. →



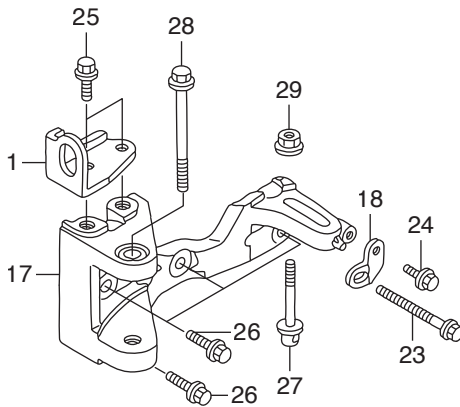
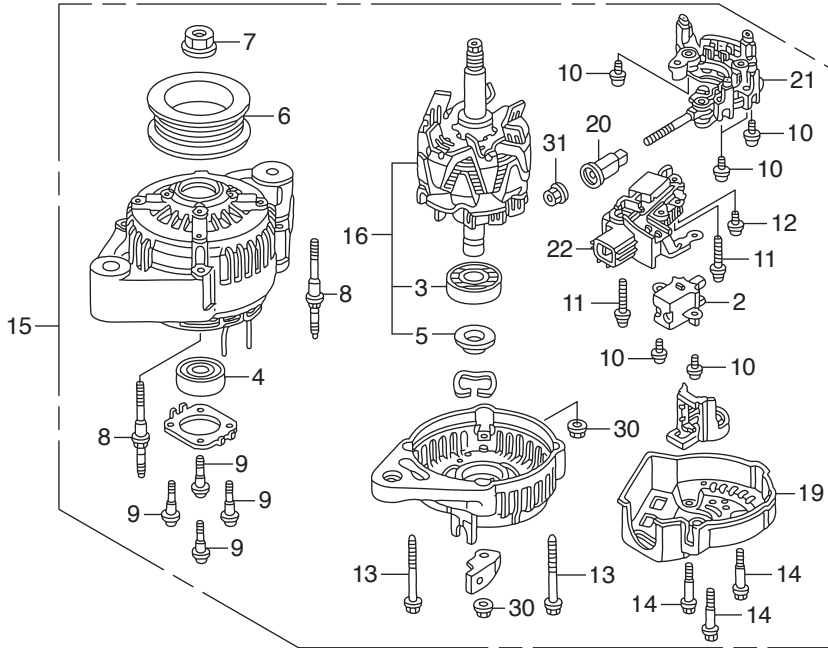
| Ref.No. | Part No. | Description | Q' ty | Remarks | |
|---------|----------|----------------|-----------------------------|---------|--|
| | | | BFT150A | | |
| E-18-10 | 30 | HZY6-16718-013 | INSULATOR COMP. | 1 | |
| E-18-10 | 31 | HZY3-16721-000 | INSULATOR | 1 | |
| E-18-10 | 32 | HZY6-16723-003 | RING | 1 | |
| E-18-10 | 33 | HZY6-16730-063 | SEPARATOR ASSY., VAPOR | 1 | |
| E-18-10 | 34 | HZW5-16733-000 | GROMMET, VAPOR SEPARATOR | 1 | |
| E-18-10 | 35 | HZY3-16733-000 | GROMMET, VAPOR SEPARATOR | 2 | |
| E-18-10 | 36 | HZY6-16734-003 | STAY, PLATE | 1 | |
| E-18-10 | 37 | HZW5-16735-003 | PUMP UNIT, FUEL | 1 | |
| E-18-10 | 38 | HZY6-16736-003 | STAY, VAPOR SEPARATOR | 1 | |
| E-18-10 | 39 | HZY3-16752-000 | JOINT, FUEL PIPE | 1 | |
| E-18-10 | 40 | HZY6-16840-A00 | TUBE F, FUEL | 1 | |
| E-18-10 | 41 | HZY3-16911-010 | SCREEN COMP., FUEL STRAINER | 1 | |
| E-18-10 | 42 | HZY3-16913-000 | SPRING, SET | 1 | |
| E-18-10 | 43 | HZY6-32166-003 | HARNESS COMP. | 1 | |
| E-18-10 | 44 | HZW5-32168-003 | BAND | 1 | |
| E-18-10 | 45 | HPP4-90009-E01 | BOLT, SEALING, 6MM | 1 | |
| E-18-10 | 46 | HZW1-90014-000 | BOLT-WASHER, 8X35 | 1 | |
| E-18-10 | 47 | HZW9-90016-000 | BOLT, FLANGE, 6X25 | 4 | |
| E-18-10 | 48 | HZY3-90017-000 | BOLT, FLANGE, 6X16 | 2 | |
| E-18-10 | 49 | HZY3-90049-000 | BOLT, FLANGE, 8X30 | 1 | |
| E-18-10 | 50 | HPD6-90430-003 | WASHER, SEALING, 6MM | 1 | |
| E-18-10 | 51 | HZY6-90607-000 | CLAMP, TUBE(8.0) | 2 | |
| E-18-10 | 52 | HMJ0-91301-003 | O-RING, 7.8X1.9(ARAI) | 2 | |
| E-18-10 | 53 | HZW1-91554-000 | COLLAR, 8.5X14.5 | 1 | |
| | | | | | |
| | | | | | |
| | | | | | |
| | | | | | |
| | | | | | |
| | | | | | |
| | | | | | |
| | | | | | |

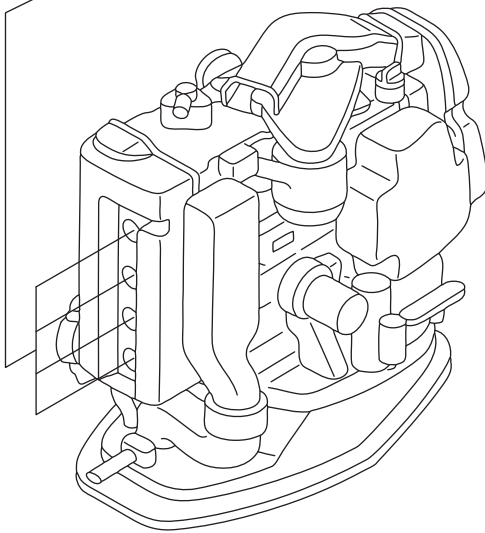
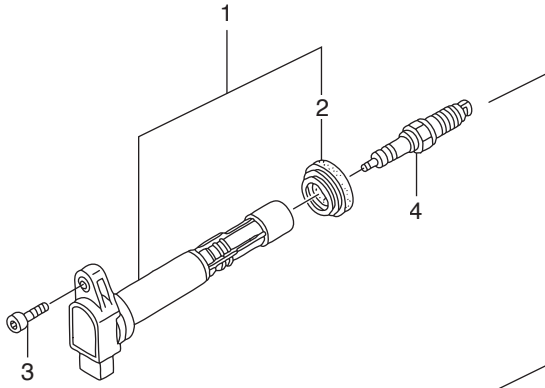
FR. 



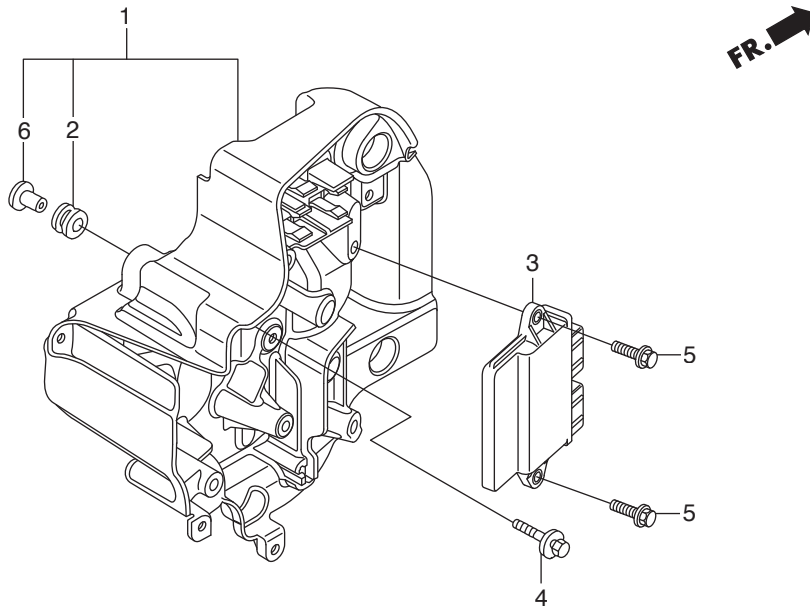
| Ref.No. | Part No. | Description | Q' ty | Remarks | |
|---------|----------|----------------|-------------------------------|---------|--|
| | | | BFT150A | | |
| E-19 | 1 | HZY6-11912-000 | HANGER B, ENGINE | 1 | |
| E-19 | 2 | HPZ1-31105-003 | HOLDER ASSY., BRUSH | 1 | |
| E-19 | 3 | HPJ7-31111-013 | BEARING, RR. | 1 | |
| E-19 | 4 | HPJ7-31114-013 | BEARING, FR. | 1 | |
| E-19 | 5 | HPD1-31138-004 | COVER, BEARING | 1 | |
| E-19 | 6 | HP64-31141-003 | PULLEY | 1 | |
| E-19 | 7 | HPD1-31142-004 | NUT, PULLEY LOCK | 1 | |
| E-19 | 8 | HPE9-31145-941 | BOLT, STUD | 2 | |
| E-19 | 9 | HPJ7-31146-003 | SCREW | 4 | |
| E-19 | 10 | HPT0-31147-003 | SCREW-WASHER | 6 | |
| E-19 | 11 | HPD1-31148-004 | SCREW-WASHER, 4X25 | 2 | |
| E-19 | 12 | HPZ1-31149-003 | SCREW | 1 | |
| E-19 | 13 | HPE9-31152-942 | BOLT-WASHER | 2 | |
| E-19 | 14 | HPZ1-31153-003 | BOLT | 3 | |
| E-19 | 15 | HZY6-31630-003 | GENERATOR ASSY., A.C. | 1 | |
| E-19 | 16 | HZW5-31631-003 | ROTOR ASSY. | 1 | |
| E-19 | 17 | HZY6-31636-010 | BRACKET COMP., A.C. GENERATOR | 1 | |
| E-19 | 18 | HZY6-31637-000 | STAY, A.C. GENERATOR | 1 | |
| E-19 | 19 | HZW5-31639-003 | END COVER, RR. | 1 | |
| E-19 | 20 | HZW5-31644-003 | BUSH, INSULATION | 1 | |
| E-19 | 21 | HZW5-31710-003 | RECTIFIER ASSY. | 1 | |
| E-19 | 22 | HZY6-31750-003 | REGULATOR ASSY. | 1 | |
| E-19 | 23 | HZW5-90011-010 | BOLT, SPECIAL ADJUSTER | 1 | |
| E-19 | 24 | HZY3-90017-000 | BOLT, FLANGE, 6X16 | 1 | |
| E-19 | 25 | HZY3-90026-000 | BOLT, FLANGE, 8X20 | 2 | |
| E-19 | 26 | HZY3-90035-000 | BOLT, FLANGE, 8X28 | 4 | |
| E-19 | 27 | HZY3-90055-000 | BOLT, TENSIONER | 1 | |
| E-19 | 28 | HZW4-90163-000 | BOLT, FLANGE, 10X80 | 1 | |
| E-19 | 29 | HZW5-90203-010 | NUT, FLANGE, 8MM | 1 | |

FR. 



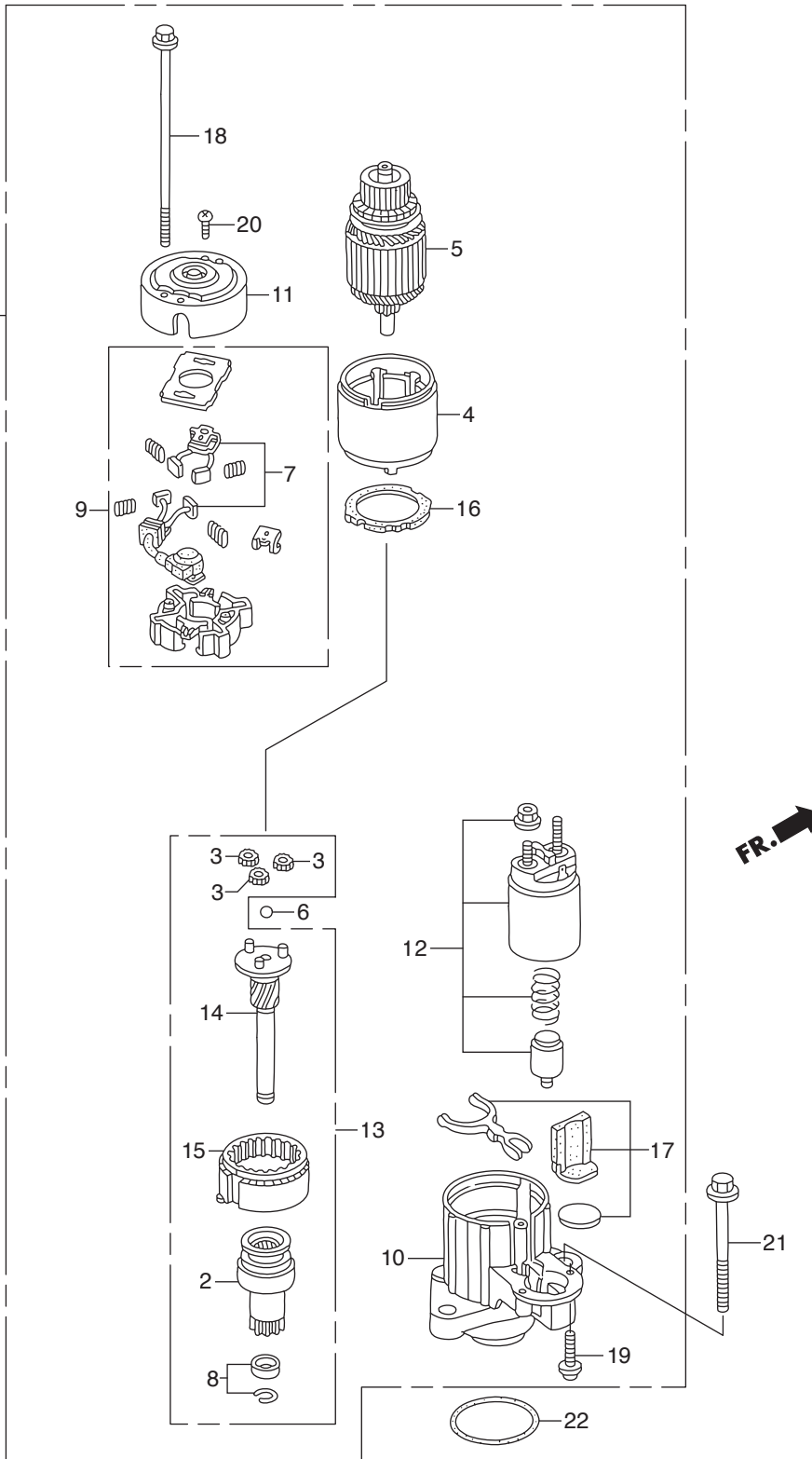


FR. →

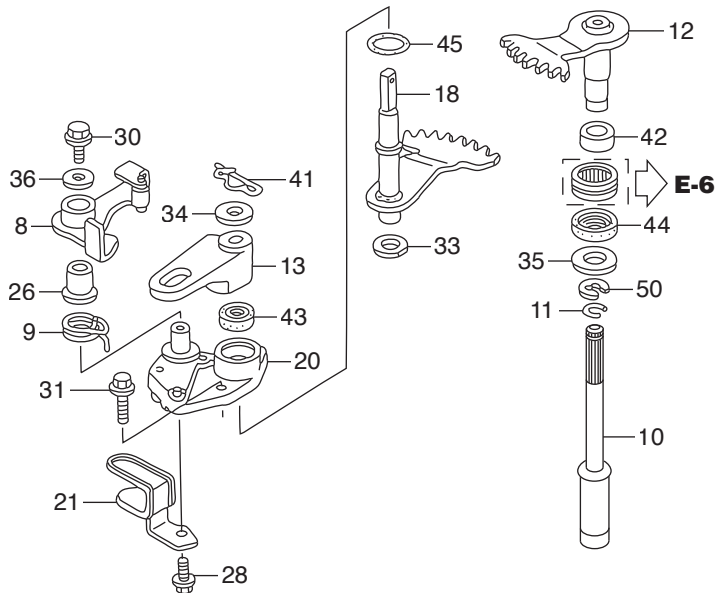
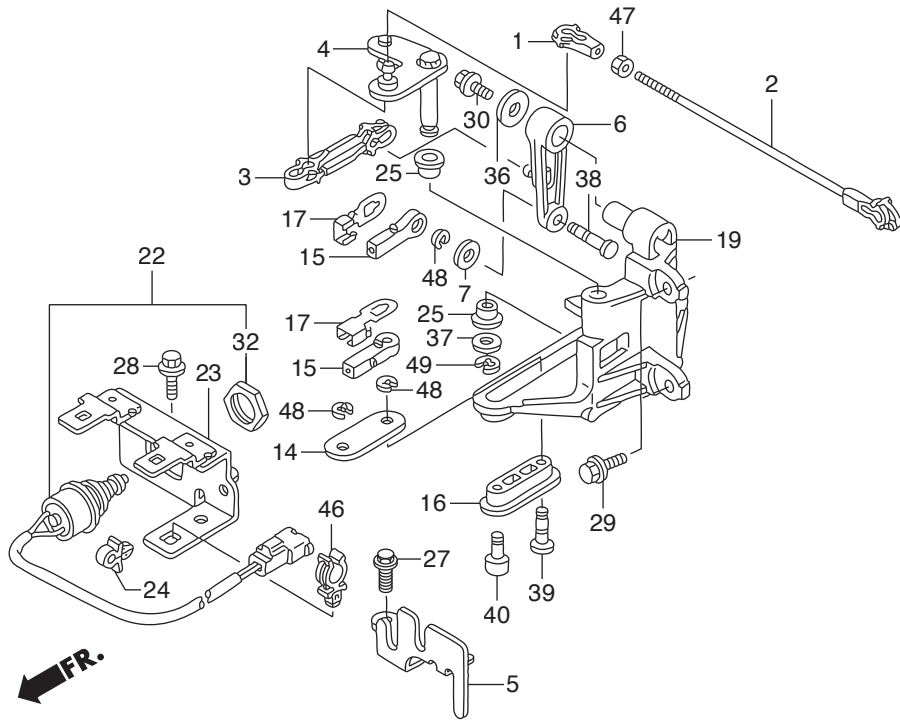


| Ref.No. | Part No. | Description | Q' ty | Remarks | |
|---------|----------|----------------|--------------------------------|---------|--|
| | | | BFT150A | | |
| E-20-10 | 1 | HZY6-30410-000 | CASE ASSY., ELECTRONIC PARTS | 1 | |
| E-20-10 | 2 | HZY9-30419-003 | GROMMET, ELECTRONIC PARTS CASE | 4 | |
| E-20-10 | 3 | HZY6-34750-053 | CONTROL UNIT, ELECTRONIC | 1 | |
| E-20-10 | 4 | HZW2-90003-000 | BOLT-WASHER, 6X27(CT200) | 4 | |
| E-20-10 | 5 | HZW5-90018-000 | BOLT, FLANGE, 6X20 | 2 | |
| E-20-10 | 6 | HZV5-91553-010 | COLLAR, C.D.I. UNIT CASE | 4 | |
| | | | | | |
| | | | | | |
| | | | | | |
| | | | | | |
| | | | | | |
| | | | | | |
| | | | | | |
| | | | | | |
| | | | | | |
| | | | | | |
| | | | | | |
| | | | | | |
| | | | | | |
| | | | | | |
| | | | | | |
| | | | | | |
| | | | | | |
| | | | | | |
| | | | | | |
| | | | | | |
| | | | | | |
| | | | | | |
| | | | | | |
| | | | | | |
| | | | | | |
| | | | | | |
| | | | | | |
| | | | | | |
| | | | | | |
| | | | | | |
| | | | | | |
| | | | | | |
| | | | | | |
| | | | | | |
| | | | | | |
| | | | | | |
| | | | | | |

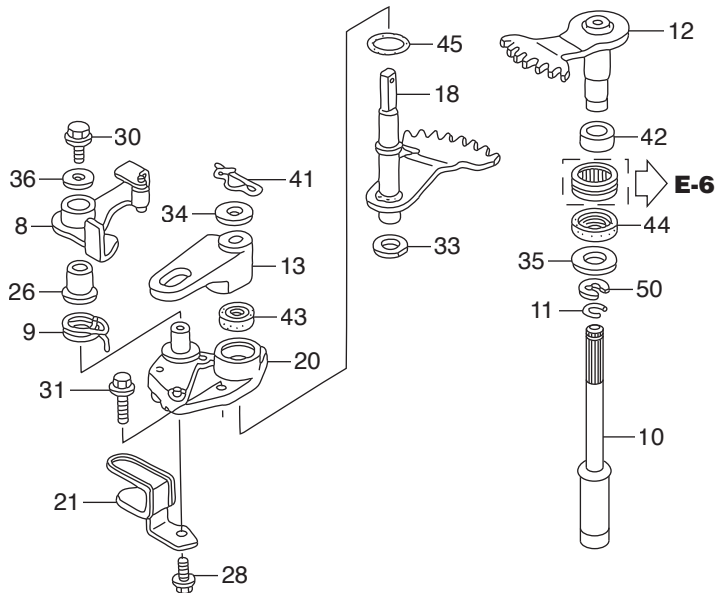
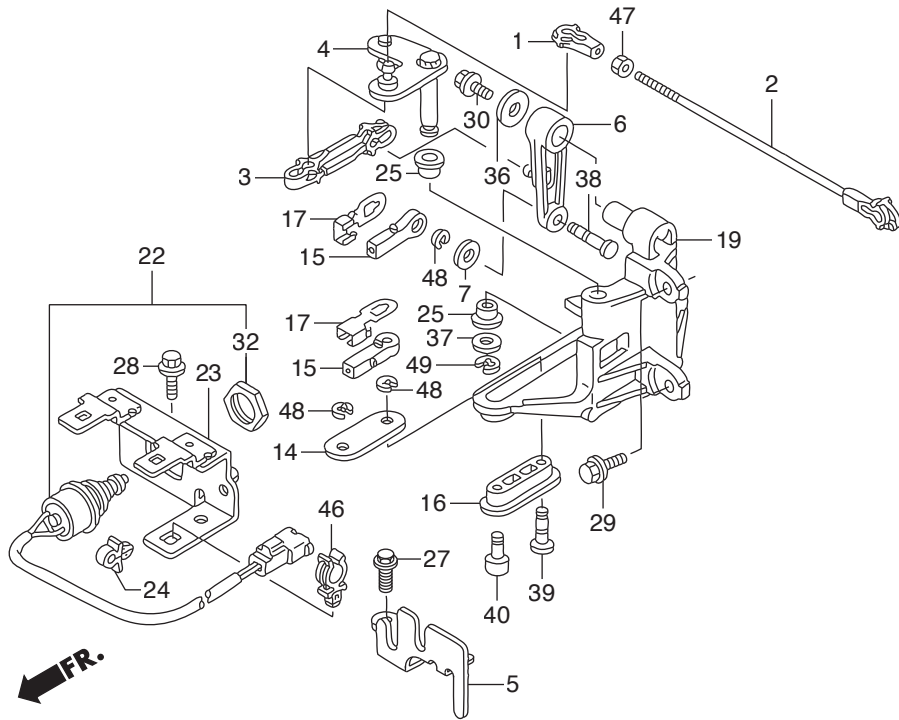
1



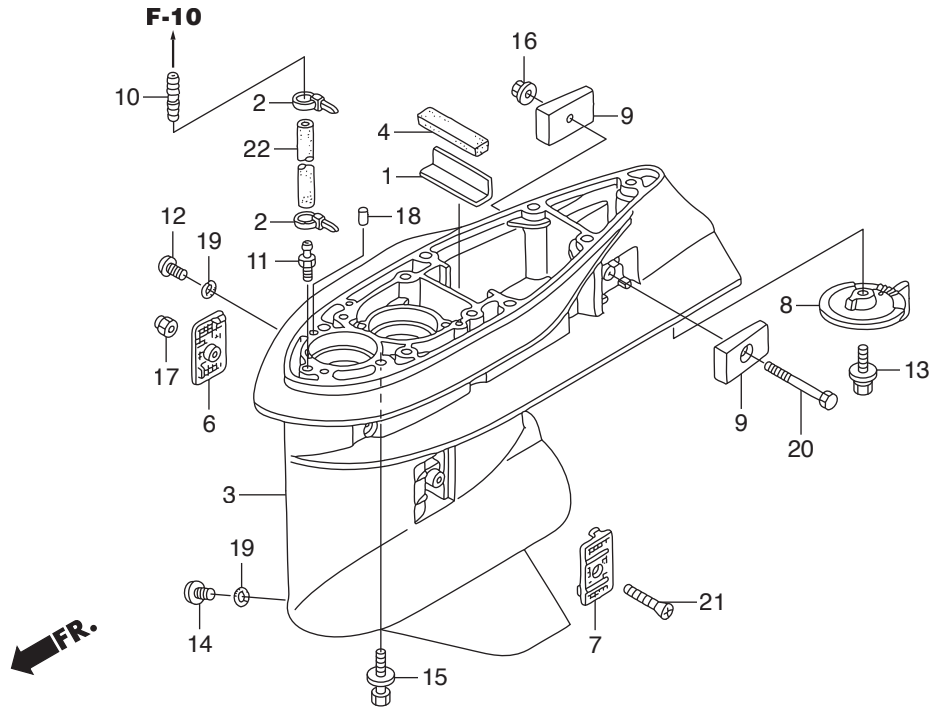
| Ref.No. | Part No. | Description | Q' ty | Remarks | |
|---------|----------|----------------|---------------------------|---------|--|
| | | | BFT150A | | |
| E-21 | 1 | HZY6-31200-003 | MOTOR ASSY., STARTER | 1 | |
| E-21 | 2 | HZY3-31207-003 | CLUTCH COMP., OVERRUNNING | 1 | |
| E-21 | 3 | HPY3-31215-004 | GEAR ASSY., PLANETARY | 3 | |
| E-21 | 4 | HZY6-31216-003 | YOKE COMP. | 1 | |
| E-21 | 5 | HZW5-31217-003 | ROTOR COMP. | 1 | |
| E-21 | 6 | HPY3-31218-004 | BALL, STEEL | 1 | |
| E-21 | 7 | HZY6-31226-003 | BRUSH SET | 1 | |
| E-21 | 8 | HZW1-31229-004 | STOPPER SET, SLEEVE | 1 | |
| E-21 | 9 | HZY6-31231-003 | HOLDER COMP., BRUSH | 1 | |
| E-21 | 10 | HZY6-31235-003 | BRACKET, FR. | 1 | |
| E-21 | 11 | HZY6-31236-003 | BRACKET, RR. | 1 | |
| E-21 | 12 | HZY6-31240-003 | SWITCH ASSY., MAGNET | 1 | |
| E-21 | 13 | HZY6-31242-003 | SHAFT ASSY., CLUTCH | 1 | |
| E-21 | 14 | HZY3-31246-003 | SHAFT ASSY., GEAR | 1 | |
| E-21 | 15 | HZW1-31247-004 | GEAR ASSY., INTERNAL | 1 | |
| E-21 | 16 | HZW1-31249-004 | PACKING | 1 | |
| E-21 | 17 | HZW1-31250-004 | LEVER SET | 1 | |
| E-21 | 18 | HZW1-31261-004 | BOLT A, THROUGH | 2 | |
| E-21 | 19 | HZW1-90106-004 | SCREW, PAN, 6X22(SPECIAL) | 2 | |
| E-21 | 20 | HZW1-90107-004 | SCREW, PAN, 5X8 | 2 | |
| E-21 | 21 | HZW4-90164-000 | BOLT, FLANGE, 10X90 | 2 | |
| E-21 | 22 | HZY3-91303-000 | O-RING, 59.4X3.1 | 1 | |
| | | | | | |
| | | | | | |
| | | | | | |
| | | | | | |
| | | | | | |
| | | | | | |
| | | | | | |
| | | | | | |
| | | | | | |



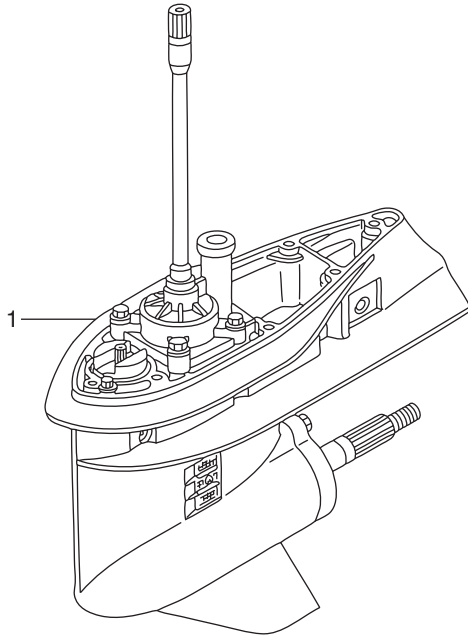
| Ref.No. | Part No. | Description | Q' ty | Remarks | |
|---------|----------|------------------|-----------------------------|---------|-----------------|
| | | | BFT150A | | |
| F-2 | 1 | HZV5-17838-000 | LINKAGE, PIVOT | 1 | |
| F-2 | 2 | HZY6-17840-000 | ROD COMP., THROTTLE | 1 | |
| F-2 | 3 | HZY6-17845-000 | LINK, THROTTLE | 1 | |
| F-2 | 4 | HZY6-17860-000 | PLATE COMP., THROTTLE | 1 | |
| F-2 | 5 | HZY6-17877-010 | PLATE, REMOTE CONTROL CABLE | 1 | |
| F-2 | 6 | HZY6-17931-000 | ARM, THROTTLE | 1 | |
| F-2 | 7 | H921-17936-000 | WASHER, PIVOT | 1 | |
| F-2 | 8 | HZY6-24166-000 | ARM COMP., CLICK | 1 | |
| F-2 | 9 | HZY6-24218-000 | SPRING, CLICK | 1 | |
| F-2 | 10 | HZY6-24320-000 | ROD COMP. A, SHIFT(L) | 1 | LU |
| F-2 | | HZY6-24320-610 | ROD COMP. A, SHIFT(XL) | 1 | XD,XU |
| F-2 | 11 | HZW1-24327-000 | RING, STOPPER | 1 | |
| F-2 | 12 | HZY6-24610-000 | SHAFT COMP. A, SHIFT | 1 | |
| F-2 | 13 | HZY6-24612-020 | ARM, SHIFT | 1 | |
| F-2 | 14 | HZY6-24614-000 | PLATE, SHIFT PIVOT | 1 | |
| F-2 | 15 | HZY3-24618-000 | PIVOT, SHIFT | 2 | |
| F-2 | 16 | HZY6-24618-000 | PIVOT, SHIFT SLIDE | 1 | |
| F-2 | 17 | HZY3-24619-000 | PLATE, LOCK | 2 | |
| F-2 | 18 | HZY6-24620-000 | SHAFT COMP. B, SHIFT | 1 | |
| F-2 | 19 | HZY6-24628-000 | BRACKET, SHIFT LINK | 1 | |
| F-2 | 20 | HZY6-24629-000ZA | HOLDER, SEAL | 1 | *NH8* DARK GRAY |
| F-2 | 21 | HZY6-32418-000 | BRACKET A, CABLE | 1 | |
| F-2 | 22 | HZY3-35470-023 | SWITCH ASSY., NEUTRAL | 1 | |
| F-2 | 23 | HZY6-35475-000 | BRACKET, NEUTRAL SWITCH | 1 | |
| F-2 | 24 | HVM0-46391-003 | CLIP, BRAKE PIPE(A) | 1 | |
| F-2 | 25 | HZY3-63205-000 | BUSH A, COVER LOCK | 2 | |
| F-2 | 26 | H763-75538-C01 | BUSH, BLADE BRAKE | 1 | |
| F-2 | 27 | HZY3-90017-000 | BOLT, FLANGE, 6X16 | 1 | |
| F-2 | 28 | HZY3-90021-000 | BOLT, FLANGE, 6X14 | 2 | |

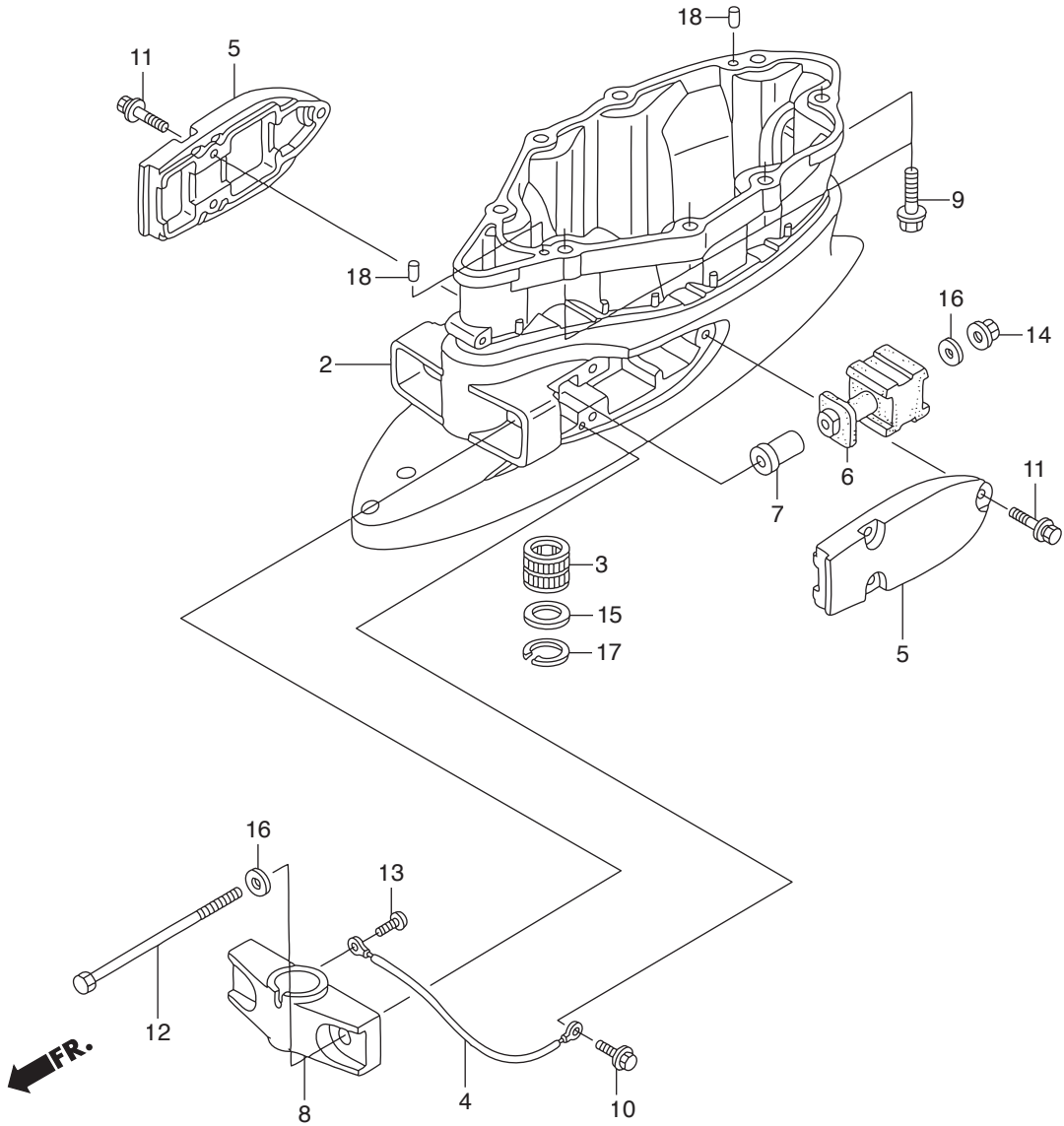


| Ref.No. | Part No. | Description | Q' ty | Remarks | |
|---------|----------|--------------------|------------------------|---------|--|
| | | | BFT150A | | |
| F-2 | 29 | HZY3-90028-000 | BOLT, FLANGE, 6X18 | 2 | |
| F-2 | 30 | HZW9-90102-000 | BOLT, FLANGE, 6X12 | 2 | |
| F-2 | 31 | HZW9-90105-000 | BOLT, FLANGE, 6X20 | 2 | |
| F-2 | 32 | HZV5-90302-003 | NUT, HEX., 20MM | 1 | |
| F-2 | 33 | H958-90428-000 | WASHER B, THRUST, 14MM | 1 | |
| F-2 | 34 | HZY3-90507-000 | WASHER, PLAIN, 12MM | 1 | |
| F-2 | 35 | HZV7-90508-000 | WASHER | 1 | |
| F-2 | 36 | HZV4-90512-000 | WASHER, PLAIN, 6MM | 2 | |
| F-2 | 37 | H921-90518-000 | WASHER, PLAIN, 8MM | 1 | |
| F-2 | 38 | HZY3-90751-000 | PIN, LINK | 1 | |
| F-2 | 39 | HZY6-90752-000 | PIN, SHIFT LINK | 1 | |
| F-2 | 40 | HZY6-90753-000 | PIN, LINK | 1 | |
| F-2 | 41 | HZY6-90755-003 | PIN, SNAP, 12MM | 1 | |
| F-2 | 42 | HZY3-91152-003 | RING, INNER(15X20X23) | 1 | |
| F-2 | 43 | HZW5-91251-003 | OIL SEAL, 14X26X6 | 1 | |
| F-2 | 44 | HZY3-91255-003 | SEAL, WATER(14X26X8) | 1 | |
| F-2 | 45 | HP0X-91321-003 | O-RING, 25X2.4(NOK) | 1 | |
| F-2 | 46 | HSV1-91549-L01 | HOLDER, DRAIN TUBE | 1 | |
| F-2 | 47 | HCO-94001-05490-0S | NUT, HEX., 5MM | 1 | |
| F-2 | 48 | HCO-94540-04029 | E-RING, 4MM | 3 | |
| F-2 | 49 | HCO-94540-06029 | E-RING, 6MM | 1 | |
| F-2 | 50 | HCO-94540-12029 | E-RING, 12MM | 1 | |
| | | | | | |
| | | | | | |
| | | | | | |
| | | | | | |
| | | | | | |
| | | | | | |
| | | | | | |
| | | | | | |
| | | | | | |

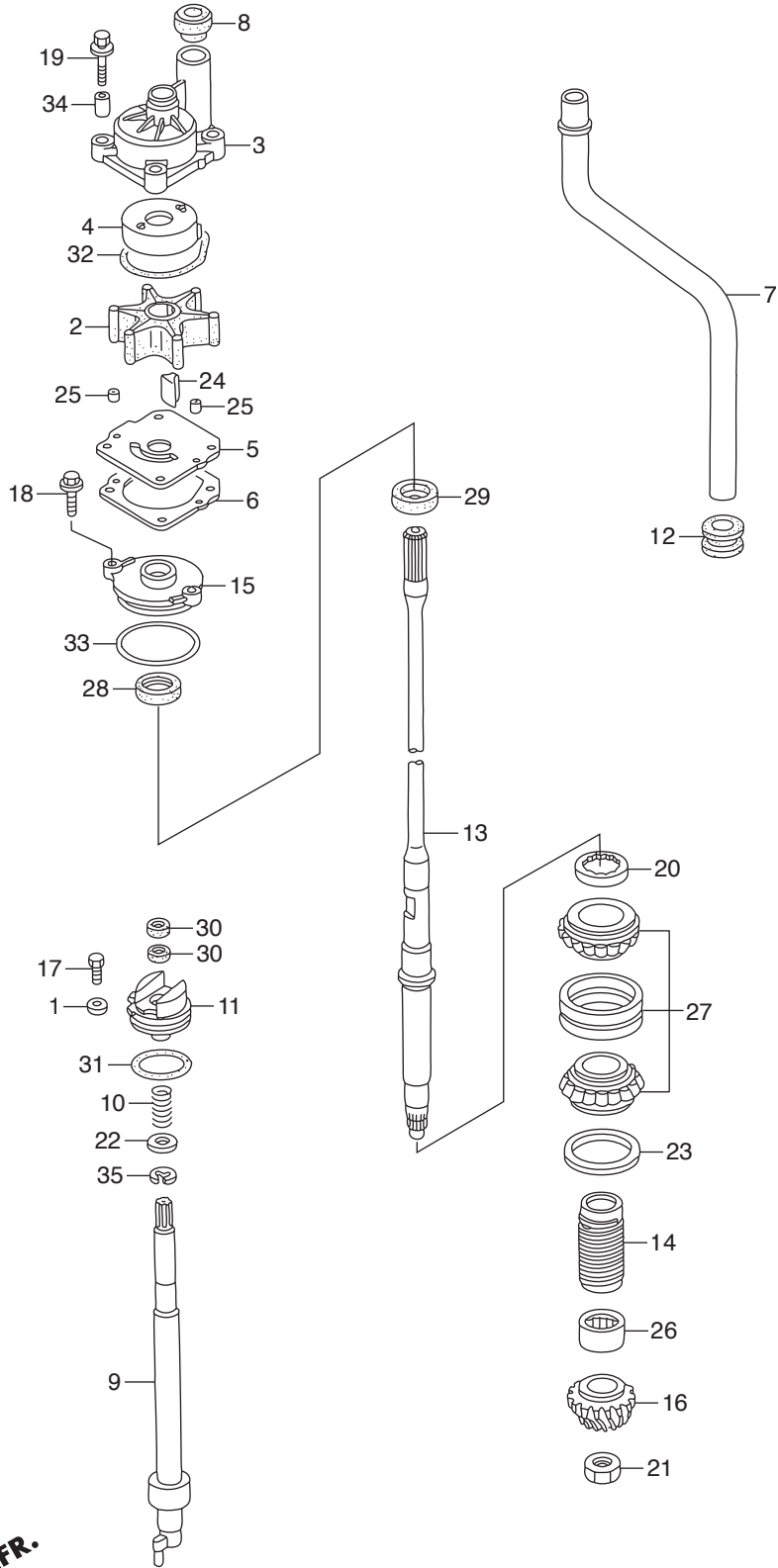


| Ref.No. | Part No. | Description | Q' ty | Remarks | |
|---------|----------|--------------------|-----------------------|---------|-----------------------------|
| | | | BFT150A | | |
| F-3 | 1 | HZW1-19286-B00 | PLATE, RUBBER SETTING | 1 | |
| F-3 | 2 | HKM3-32161-003 | BAND, WIRE | 2 | |
| F-3 | 3 | HZY6-41101-020ZC | CASE, GEAR | 1 | *T107* BAY BLUE |
| F-3 | 4 | HZW1-41102-B00 | GROMMET, GEAR CASE | 1 | |
| F-3 | 6 | HZY6-41104-010 | SCREEN, R. WATER | 1 | |
| F-3 | 7 | HZY6-41105-010 | SCREEN, L. WATER | 1 | |
| F-3 | 8 | HZX2-41107-C00ZC | TAB, TRIM | 1 | *T107* BAY BLUE |
| F-3 | 9 | HZW1-41109-B00 | METAL COMP., ANODE | 2 | |
| F-3 | 10 | HZV5-41171-000 | END, NIPPLE | 1 | |
| F-3 | 11 | HZV5-41172-000 | NIPPLE, SENSOR | 1 | |
| F-3 | 12 | HZW9-90101-003 | BOLT, OIL CHECK | 1 | |
| F-3 | 13 | HZY6-90103-000 | BOLT-WASHER, 10X32 | 1 | |
| F-3 | 14 | HZY3-90120-000 | BOLT, DRAIN PLUG | 1 | |
| F-3 | 15 | HZY6-90123-000 | BOLT-WASHER, 10X40 | 7 | |
| F-3 | 16 | HZY1-90205-000 | NUT, SELF-LOCK, 6MM | 1 | |
| F-3 | 17 | HZV4-90302-000 | NUT, SELF-LOCK, 5MM | 1 | |
| F-3 | 18 | HZV5-90756-000 | DOWEL PIN, 6X10 | 2 | |
| F-3 | 19 | HZW4-91301-003 | O-RING, 6.9X1.45 | 2 | |
| F-3 | 20 | HCO-92101-06050-4J | BOLT, HEX., 6X50 | 1 | |
| F-3 | 21 | HCO-93700-05050-4J | SCREW, OVAL, 5X50 | 1 | |
| F-3 | 22 | HCO-95005-50140-30 | TUBE, 5X140 | 1 | HC-95005-50001-30M LU |
| F-3 | | HCO-95005-50270-30 | TUBE, 5X270 | 1 | HC-95005-50001-30M XD,XU |
| | | | | | |
| | | | | | |
| | | | | | |
| | | | | | |
| | | | | | |
| | | | | | |
| | | | | | |
| | | | | | |
| | | | | | |



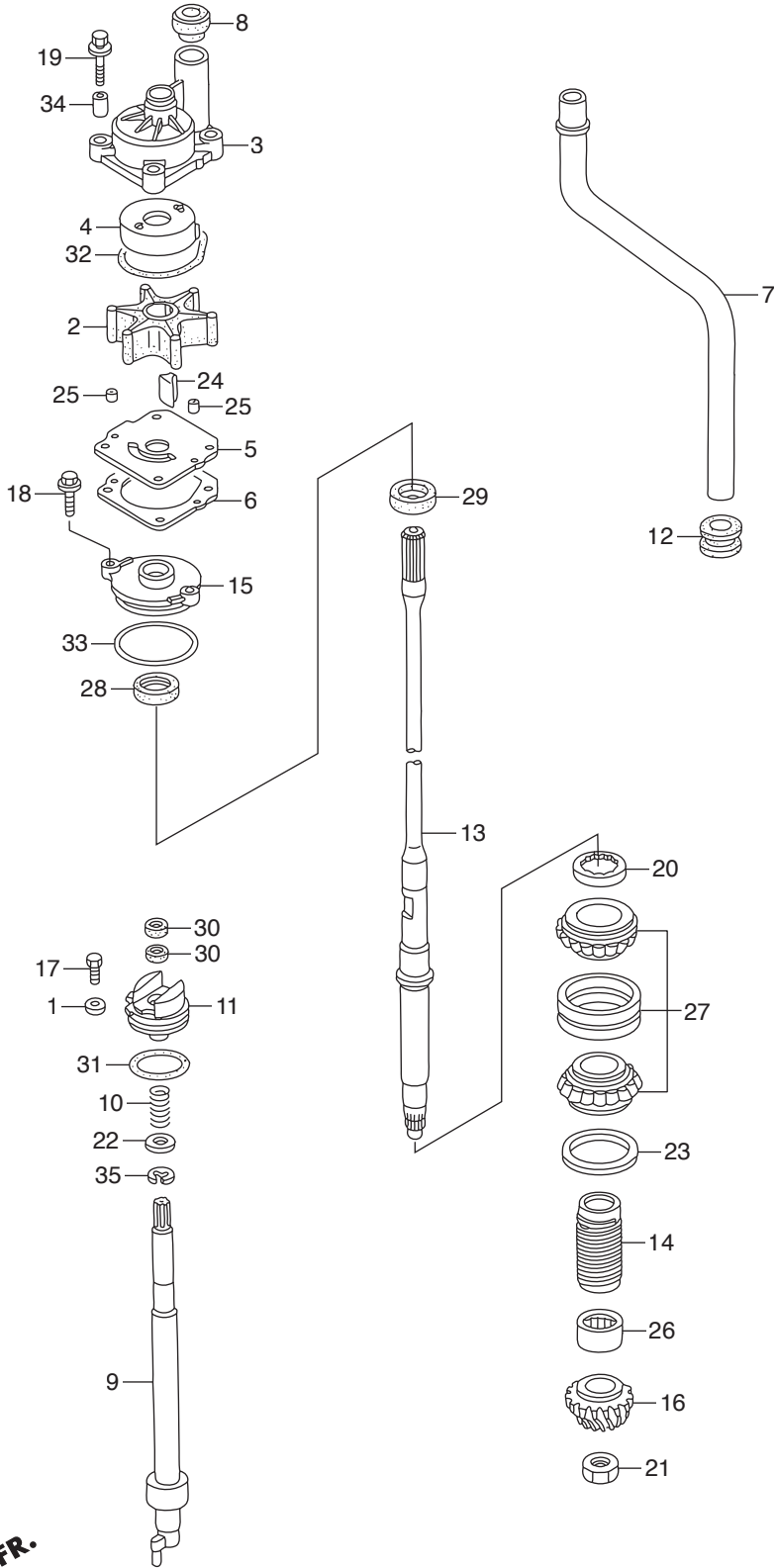


| Ref.No. | Part No. | Description | Q' ty | Remarks | |
|---------|----------|------------------|--------------------------------|---------|--------------------------|
| | | | BFT150A | | |
| F-3-20 | 2 | HZY6-40201-000ZC | CASE, EXTENSION(L) | 1 | *T107* BAY BLUE LU |
| F-3-20 | | HZY6-40201-611ZC | CASE, EXTENSION | 1 | *T107* BAY BLUE XD,XU |
| F-3-20 | 3 | HZW1-40210-710 | BUSH COMP., VERTICAL SHAFT | 1 | XD,XU |
| F-3-20 | 4 | HZY6-40219-023 | WIRE, LEAD(1.5X137MM) | 1 | |
| F-3-20 | 5 | HZW1-50111-010ZC | HOUSING, LOWER MOUNTING | 2 | *T107* BAY BLUE |
| F-3-20 | 6 | HZW5-50155-000 | RUBBER COMP., LOWER MOUNT | 2 | |
| F-3-20 | 7 | HZW1-50156-010 | COLLAR, LOWER MOUNTING | 2 | |
| F-3-20 | 8 | HZW1-50161-020ZC | HOUSING, LOWER CENTER MOUNTING | 1 | *T107* BAY BLUE |
| F-3-20 | 9 | HZY6-90002-000 | BOLT, FLANGE, 10X40 | 8 | |
| F-3-20 | 10 | HZW9-90103-010 | BOLT, FLANGE, 6X12 | 1 | |
| F-3-20 | 11 | HZY6-90105-000 | BOLT-WASHER, 8X30 | 6 | |
| F-3-20 | 12 | HZY6-90118-000 | BOLT, HEX., 12X225 | 2 | |
| F-3-20 | 13 | HZV5-90119-000 | SCREW, PAN, 6X8 | 1 | |
| F-3-20 | 14 | HZW5-90302-003 | NUT, FLANGE, 12MM | 2 | |
| F-3-20 | 15 | HZW1-90501-710 | WASHER, 26MM | 1 | XD,XU |
| F-3-20 | 16 | HZW1-90559-000 | WASHER, PLAIN, 12MM | 4 | |
| F-3-20 | 17 | HZW1-90651-710 | CIRCLIP, INTERNAL, 40 | 1 | XD,XU |
| F-3-20 | 18 | HZV5-90756-000 | DOWEL PIN, 6X10 | 2 | |
| | | | | | |
| | | | | | |
| | | | | | |
| | | | | | |
| | | | | | |
| | | | | | |
| | | | | | |
| | | | | | |
| | | | | | |
| | | | | | |
| | | | | | |
| | | | | | |
| | | | | | |
| | | | | | |
| | | | | | |

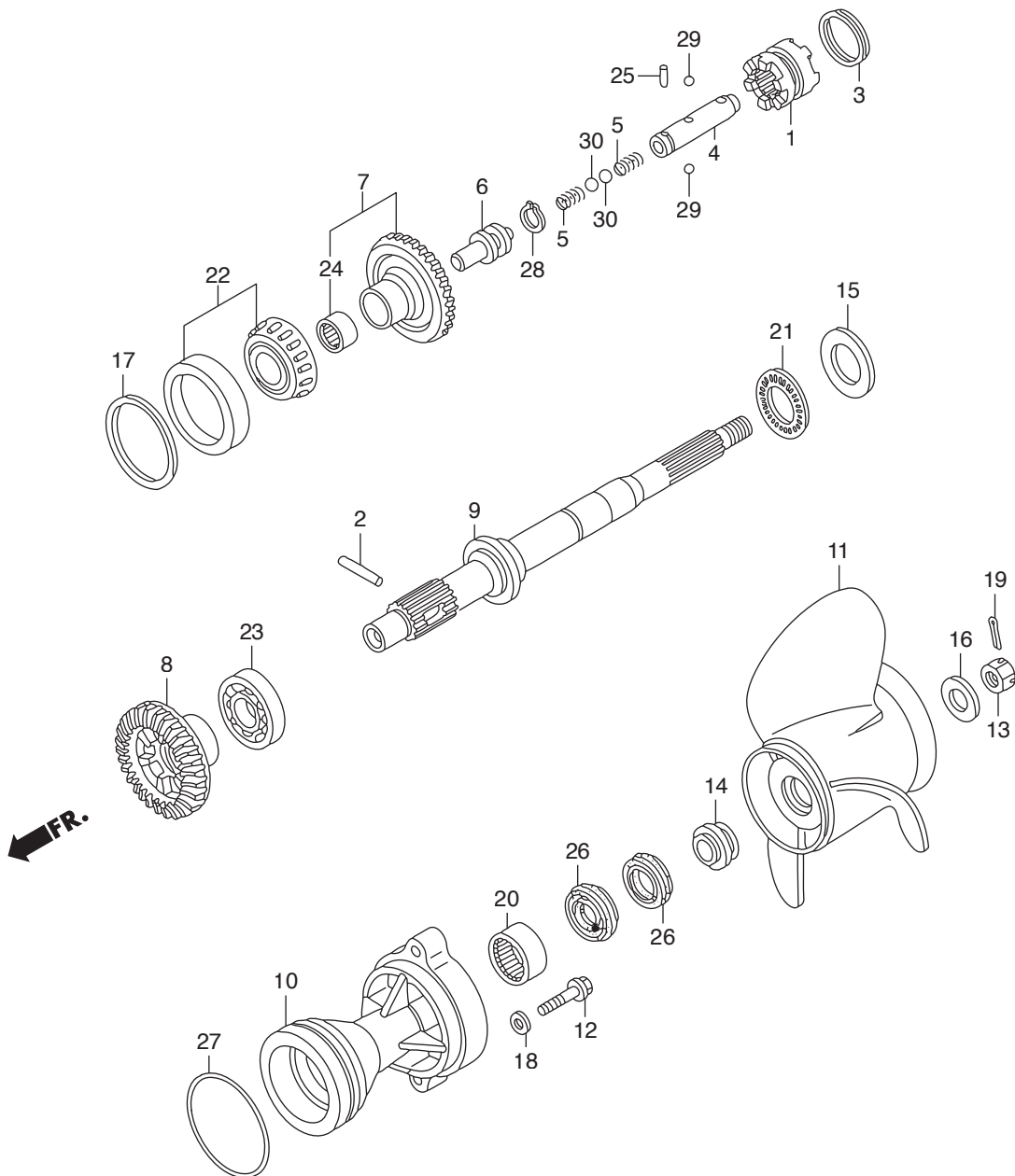


FR.

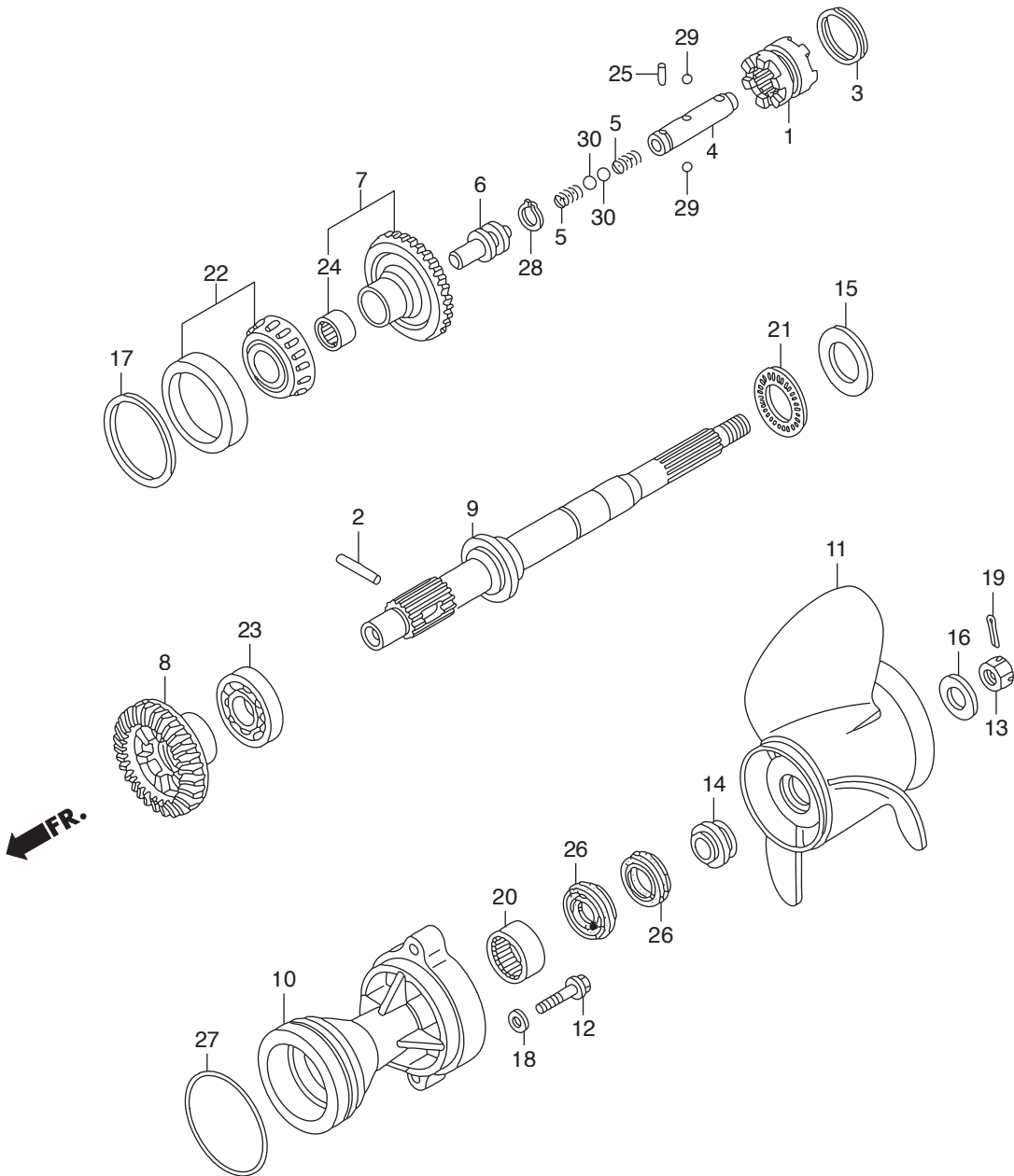
| Ref.No. | Part No. | Description | Q' ty | Remarks | |
|---------|----------|----------------|-------------------------|---------|-------|
| | | | BFT150A | | |
| F-4 | 1 | H921-17936-000 | WASHER, PIVOT | 1 | |
| F-4 | 2 | HZW1-19210-B04 | IMPELLER, PUMP | 1 | |
| F-4 | 3 | HZY6-19221-A00 | HOUSING, IMPELLER | 1 | |
| F-4 | 4 | HZW1-19223-B00 | LINER, PUMP | 1 | |
| F-4 | 5 | HZY6-19231-000 | COVER, IMPELLER | 1 | |
| F-4 | 6 | HZY6-19234-000 | GASKET B, IMPELLER | 1 | |
| F-4 | 7 | HZY6-19251-000 | TUBE, WATER(L) | 1 | LU |
| F-4 | | HZY6-19251-611 | TUBE, WATER(XL) | 1 | XD,XU |
| F-4 | 8 | HZW1-19253-B01 | RING, WATER TUBE SEAL | 1 | |
| F-4 | 9 | HZY6-24310-000 | ROD COMP., SHIFT | 1 | |
| F-4 | 10 | HZY3-24318-000 | SPRING, SHIFT ROD | 1 | |
| F-4 | 11 | HZY6-24343-000 | HOLDER, SHIFT ROD | 1 | |
| F-4 | 12 | HZW1-40204-000 | GROMMET, EXTENSION CASE | 1 | |
| F-4 | 13 | HZY6-41112-010 | SHAFT, VERTICAL(L) | 1 | LU |
| F-4 | | HZY6-41112-611 | SHAFT, VERTICAL(XL) | 1 | XD,XU |
| F-4 | 14 | HZW1-41116-B00 | SLINGER, OIL | 1 | |
| F-4 | 15 | HZZ3-41117-000 | HOUSING, WATER SEAL | 1 | |
| F-4 | 16 | HZY6-41131-000 | GEAR, PINION | 1 | |
| F-4 | 17 | H881-90105-000 | BOLT, HEX., 6X12 | 1 | |
| F-4 | 18 | HZW9-90105-000 | BOLT, FLANGE, 6X20 | 2 | |
| F-4 | 19 | HZY6-90116-000 | BOLT-WASHER, 8X40 | 4 | |
| F-4 | 20 | HZW1-90242-000 | NUT, LOCK, 64MM | 1 | |
| F-4 | 21 | HZW5-90303-000 | NUT, HEX., 18MM | 1 | |
| F-4 | 22 | H723-90472-000 | WASHER, PLAIN, 12MM | 1 | |
| F-4 | 23 | HZW1-90518-B00 | SHIM A, GEAR(0.10) | 1 | |
| F-4 | | HZW1-90519-B00 | SHIM B, GEAR(0.15) | 1 | |
| F-4 | | HZW1-90520-B00 | SHIM C, GEAR(0.30) | 1 | |
| F-4 | | HZW1-90521-B00 | SHIM D, GEAR(0.50) | 1 | |
| F-4 | 24 | HZW1-90752-B02 | KEY, WOODRUFF | 1 | |



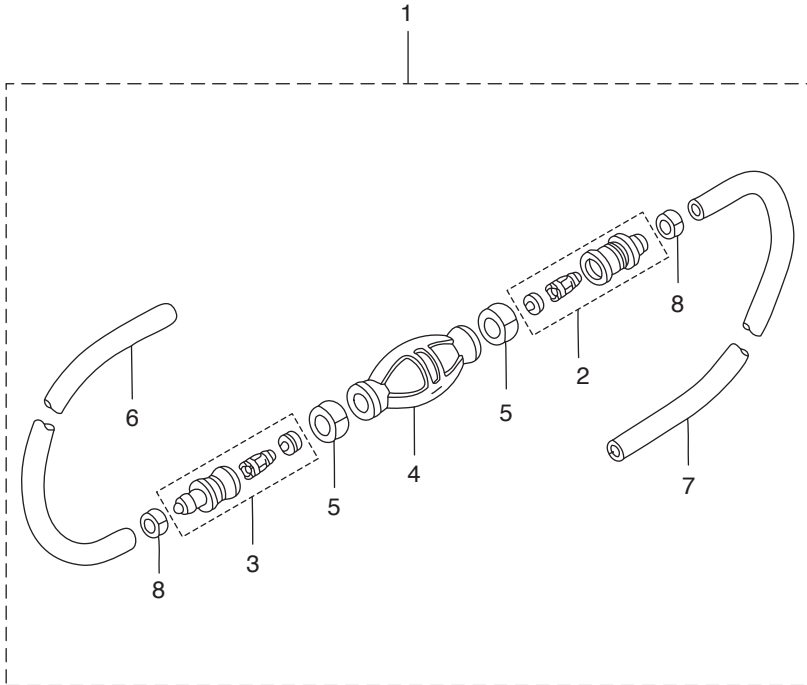
FR.



| Ref.No. | Part No. | Description | Q' ty | Remarks | |
|---------|----------|------------------|--------------------------------|---------|--------------------------------------|
| | | | BFT150A | | |
| F-5 | 1 | HZY6-24101-000 | SHIFTER, CLUTCH | 1 | |
| F-5 | 2 | HZW1-24102-B00 | PIN, SHIFTER, 8X47 | 1 | |
| F-5 | 3 | HZW1-24103-B00 | RING, CROSS PIN | 1 | |
| F-5 | 4 | HZY6-24122-000 | SLIDER, SHIFT | 1 | |
| F-5 | 5 | HZY6-24123-000 | SPRING, SHIFT | 2 | |
| F-5 | 6 | HZY6-24124-000 | PLATE, SHIFT | 1 | |
| F-5 | 7 | HZY6-41140-000 | GEAR COMP., BEVEL(FORWARD 30T) | 1 | |
| F-5 | 8 | HZY6-41151-000 | GEAR, BEVEL(RVS. 30T) | 1 | |
| F-5 | 9 | HZY6-41161-000 | SHAFT, PROPELLER | 1 | |
| F-5 | 10 | HZY6-41201-000ZC | HOLDER, PROPELLER SHAFT | 1 | *T107* BAY BLUE |
| F-5 | 11 | HZY3-58130-T00 | PROPELLER COMP., THREE BLADES | 1 | (14-1/2X15)(SUS) |
| F-5 | | HZY3-58130-T10 | PROPELLER COMP., THREE BLADES | 1 | (14-1/4X17)(SUS) |
| F-5 | | HZY3-58130-T20 | PROPELLER COMP., THREE BLADES | 1 | (14X19)(SUS) |
| F-5 | | HZY3-58130-T30 | PROPELLER COMP., THREE BLADES | 1 | (14X21)(SUS) |
| F-5 | | HZY3-58130-T40 | PROPELLER COMP., THREE BLADES | 1 | (14-1/2X23)(SUS) |
| F-5 | | HZY3-58130-T50 | PROPELLER COMP., THREE BLADES | 1 | (14X25)(SUS) |
| F-5 | | HZY3-58130-V01ZA | PROPELLER COMP., THREE BLADES | 1 | (15-1/2X13)(AL) *NH283* STIN GRAY |
| F-5 | | HZY3-58130-V11ZA | PROPELLER COMP., THREE BLADES | 1 | (15-1/4X15)(AL) *NH283* STIN GRAY |
| F-5 | | HZY3-58130-V21ZA | PROPELLER COMP., THREE BLADES | 1 | (15X17)(AL) *NH283* STIN GRAY |
| F-5 | | HZY3-58130-V31ZA | PROPELLER COMP., THREE BLADES | 1 | (14-3/4X19)(AL) *NH283* STIN GRAY |
| F-5 | | HZY3-58130-V41ZA | PROPELLER COMP., THREE BLADES | 1 | (14-1/2X21)(AL) *NH283* STIN GRAY |
| F-5 | | HZY3-58130-V51ZA | PROPELLER COMP., THREE BLADES | 1 | (14-1/4X23)(AL) *NH283* STIN GRAY |
| F-5 | 12 | HZY6-90104-000 | BOLT, FLANGE, 10X40 | 2 | |
| F-5 | 13 | HZW1-90301-B00 | NUT, CASTLE, 18MM | 1 | |
| F-5 | 14 | HZY3-90506-000 | WASHER, PROPELLER THRUST | 1 | |
| F-5 | 15 | HZW5-90509-711 | WASHER, THRUST BEARING | 1 | |
| F-5 | 16 | HZY3-90512-000 | WASHER, PROPELLER | 1 | |
| F-5 | 17 | HZY3-90528-000 | SHIM A, BEVEL(0.10) | 1 | |
| F-5 | | HZY3-90529-000 | SHIM B, BEVEL(0.15) | 1 | |

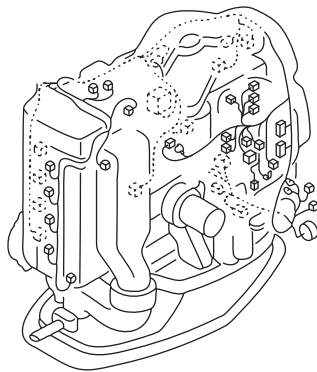
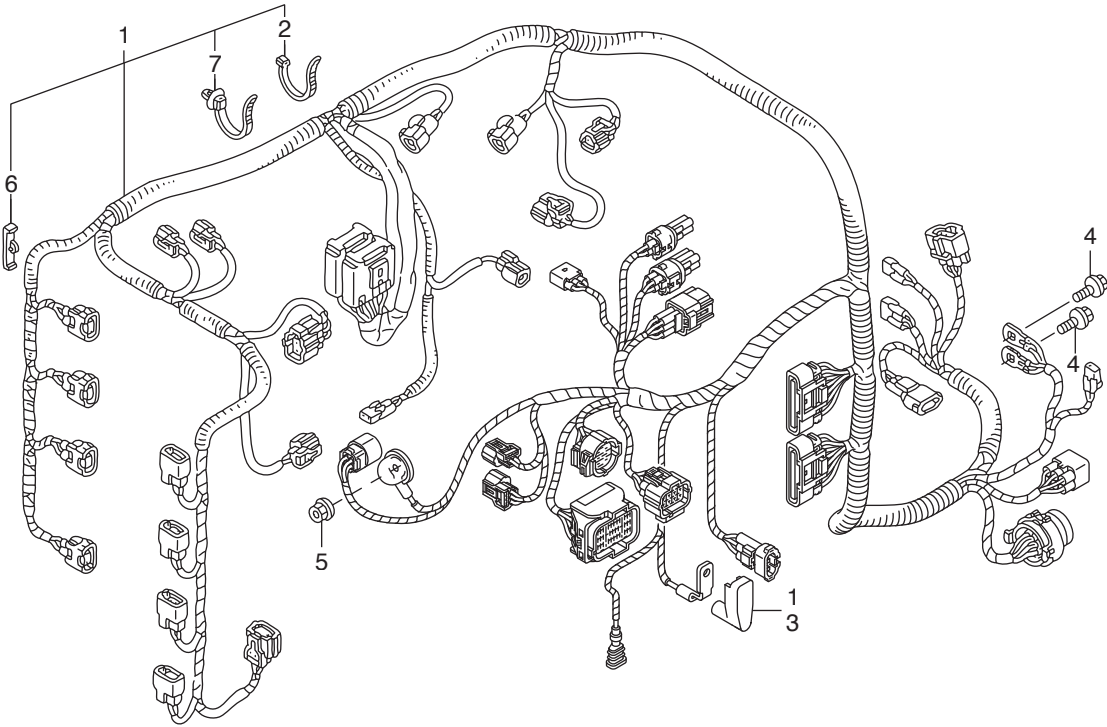


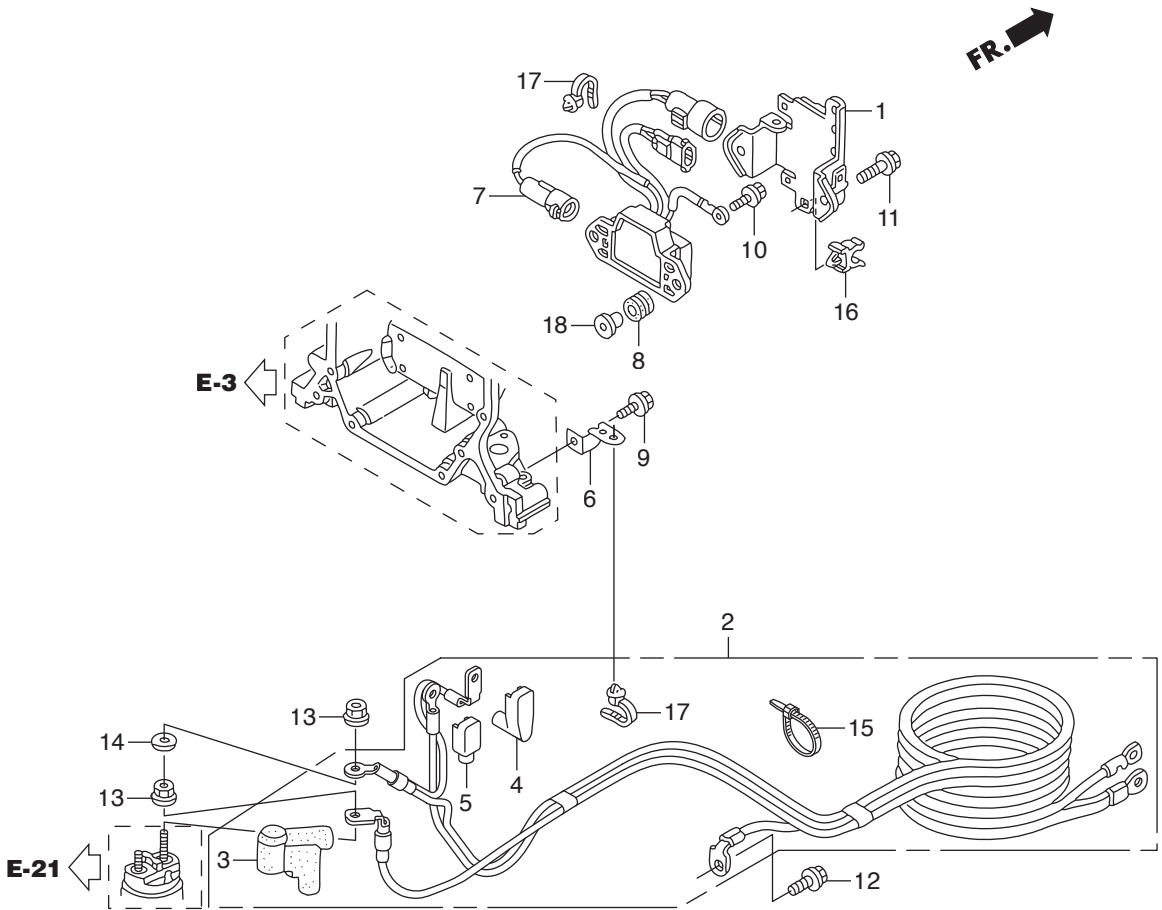
| Ref.No. | Part No. | Description | Q' ty | Remarks |
|---------|----------|-----------------|--------------------------------|---------|
| | | | BFT150A | |
| F-5 | | HZY3-90530-000 | SHIM C, BEVEL(0.30) | 1 |
| F-5 | | HZY3-90531-000 | SHIM D, BEVEL(0.50) | 1 |
| F-5 | 18 | HZV5-90563-000 | WASHER, PLAIN, 10MM | 2 |
| F-5 | 19 | HZW1-90758-B00 | PIN, SPLIT, 4.0 | 1 |
| F-5 | 20 | HMY5-91005-601 | BEARING, NEEDLE, 30X37X26 | 1 |
| F-5 | 21 | HPT2-91005-N01 | BEARING, THRUST(F) | 1 |
| F-5 | 22 | HZY6-91051-003 | BEARING, TAPER, 50X90X28 | 1 |
| F-5 | 23 | HZY6-91055-004 | BEARING, RADIAL BALL, 50X90X20 | 1 |
| F-5 | 24 | HZW5-91056-003 | BEARING, NEEDLE(25X32X26) | 1 |
| F-5 | 25 | HZW1-91101-003 | ROLLER, 3X12.8 | 1 |
| F-5 | 26 | HZZ3-91252-003 | SEAL, WATER, 30X45X7 | 2 |
| F-5 | 27 | HZY3-91351-003 | O-RING, 105X3.1 | 1 |
| F-5 | 28 | HCO-94510-14000 | CIRCLIP, EXTERNAL, 14MM | 1 |
| F-5 | 29 | HCO-96211-07000 | BALL, STEEL, #7(7/32) | 2 |
| F-5 | 30 | HCO-96211-09000 | BALL, STEEL, #9(9/32) | 2 |
| | | | | |
| | | | | |
| | | | | |
| | | | | |
| | | | | |
| | | | | |
| | | | | |
| | | | | |
| | | | | |
| | | | | |
| | | | | |
| | | | | |
| | | | | |
| | | | | |
| | | | | |
| | | | | |
| | | | | |
| | | | | |
| | | | | |
| | | | | |
| | | | | |
| | | | | |
| | | | | |
| | | | | |
| | | | | |
| | | | | |
| | | | | |



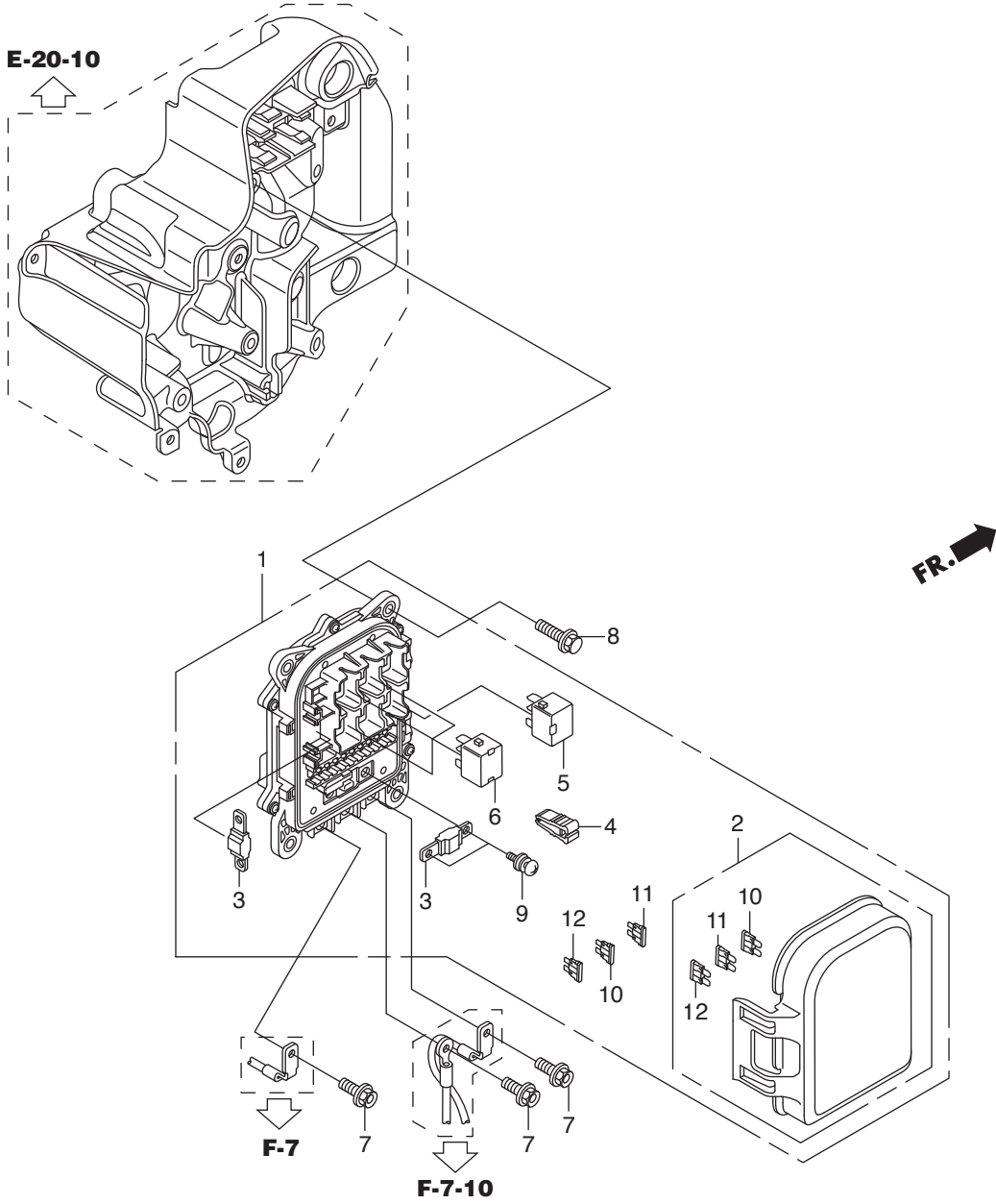
| Ref.No. | Part No. | Description | Q' ty | Remarks | |
|---------|----------|-------------|-----------------------|---------|----------------------------------|
| | | | BFT150A | | |
| F-6 | 1 | 3T1-70200-1 | PRIMER BULB ASSY | 1 | for EU/EX Model |
| | | | | | |
| F-6 | 2 | 3C7-70220-1 | * JOINT ASSY (INLET) | 1 | ALL |
| F-6 | 3 | 3C7-70224-1 | * JOINT ASSY (OUTLET) | 1 | ALL |
| F-6 | 4 | 3C7-70211-1 | * PRIMER BULB | 1 | for EU/EX Model |
| | | | | | |
| F-6 | 5 | 3C7-70217-0 | * CLAMP | 2 | ALL |
| F-6 | 6 | 98AB-70-700 | * HOSE | 1 | for EU/EX Model 98AB-701000 |
| | | | | | |
| F-6 | 7 | 98AB-701600 | * HOSE | 1 | for EU/EX Model 98AB-701000x2 |
| | | | | | |
| F-6 | 8 | 332-70201-0 | * CLAMP | 2 | ALL |
| | | | | | |
| | | | | | |
| | | | | | |
| | | | | | |
| | | | | | |
| | | | | | |
| | | | | | |
| | | | | | |
| | | | | | |
| | | | | | |
| | | | | | |
| | | | | | |
| | | | | | |
| | | | | | |
| | | | | | |
| | | | | | |
| | | | | | |
| | | | | | |
| | | | | | |
| | | | | | |
| | | | | | |
| | | | | | |
| | | | | | |
| | | | | | |
| | | | | | |

FR. →

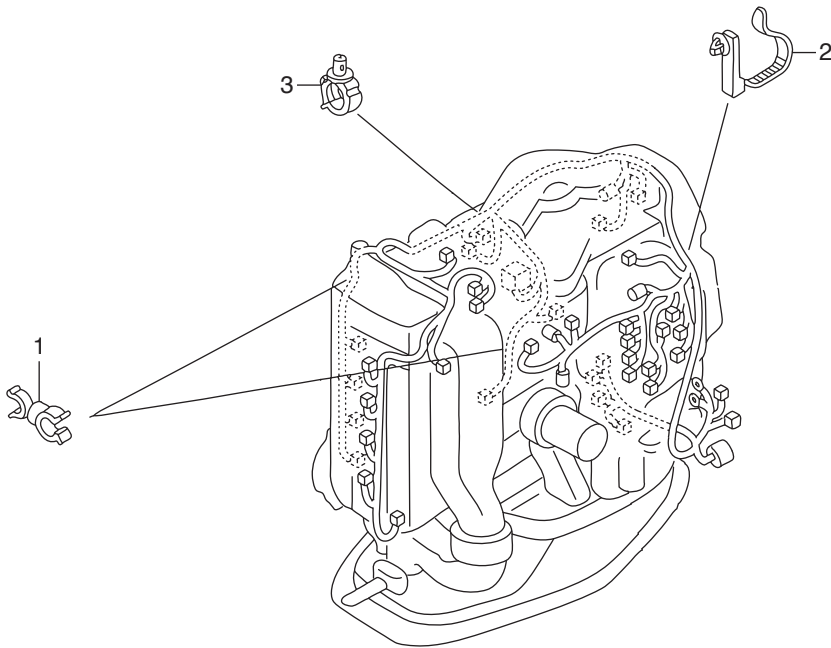


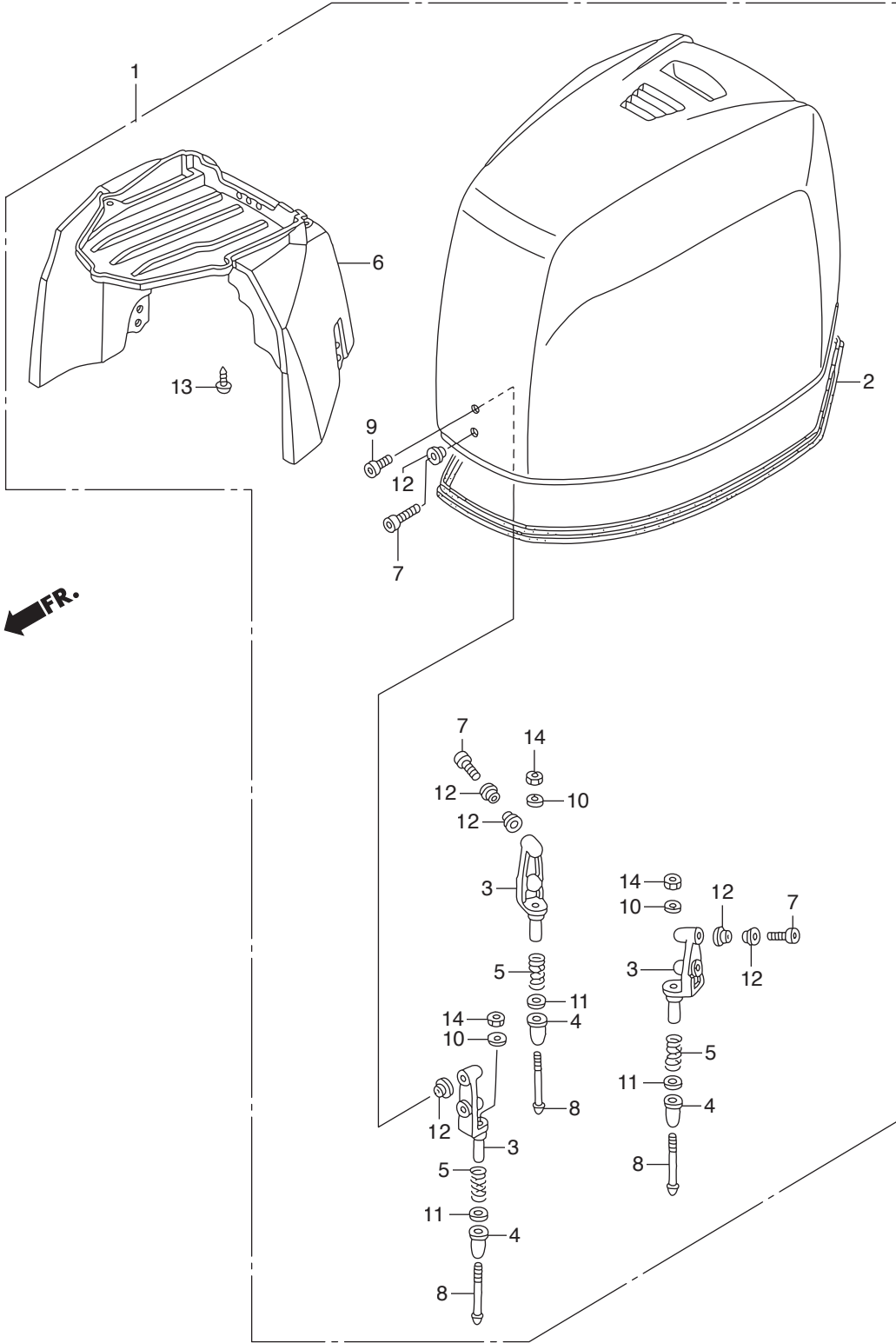


| Ref.No. | Part No. | Description | Q' ty | Remarks | |
|---------|----------|----------------|---------------------------|---------|---------|
| | | | BFT150A | | |
| F-7-10 | 1 | HZY6-32101-000 | BRACKET A, COUPLER | 1 | |
| F-7-10 | 2 | HZY6-32410-020 | CABLE ASSY., STARTER | 1 | |
| F-7-10 | 3 | HZY3-32411-003 | COVER, STARTER TERMINAL | 1 | |
| F-7-10 | 4 | HZY6-32414-300 | COVER B, TERMINAL(L) | 1 | |
| F-7-10 | 5 | HZY6-32414-640 | COVER B, TERMINAL | 1 | |
| F-7-10 | 6 | HZY6-32419-000 | BRACKET B, CABLE | 1 | |
| F-7-10 | 7 | HZY6-38550-003 | RELAY ASSY., POWER TILT | 1 | |
| F-7-10 | 8 | HZW1-38551-000 | GROMMET, RELAY | 2 | |
| F-7-10 | 9 | HZW9-90011-000 | BOLT, FLANGE, 6X14(CT200) | 1 | |
| F-7-10 | 10 | HZW9-90013-000 | BOLT, FLANGE, 6X12 | 1 | |
| F-7-10 | 11 | HZY3-90030-000 | BOLT, FLANGE, 6X22 | 2 | |
| F-7-10 | 12 | HZY3-90107-000 | BOLT, FLANGE, 8X18 | 1 | |
| F-7-10 | 13 | HZW1-90203-000 | NUT-WASHER, 8MM | 2 | |
| F-7-10 | 14 | HZY3-90405-000 | WASHER, PLAIN, 8MM | 1 | |
| F-7-10 | 15 | HSB2-90620-003 | BAND, WIRE HARNESS | 1 | |
| F-7-10 | 16 | HSB2-90687-003 | CLIP, FUEL TUBE, 14 | 1 | |
| F-7-10 | 17 | HS0A-91541-003 | CLIP, HARNESS BAND(BLACK) | 5 | (145MM) |
| F-7-10 | 18 | HZV5-91553-010 | COLLAR, C.D.I. UNIT CASE | 2 | |
| | | | | | |
| | | | | | |
| | | | | | |
| | | | | | |
| | | | | | |
| | | | | | |
| | | | | | |
| | | | | | |
| | | | | | |
| | | | | | |
| | | | | | |
| | | | | | |
| | | | | | |
| | | | | | |

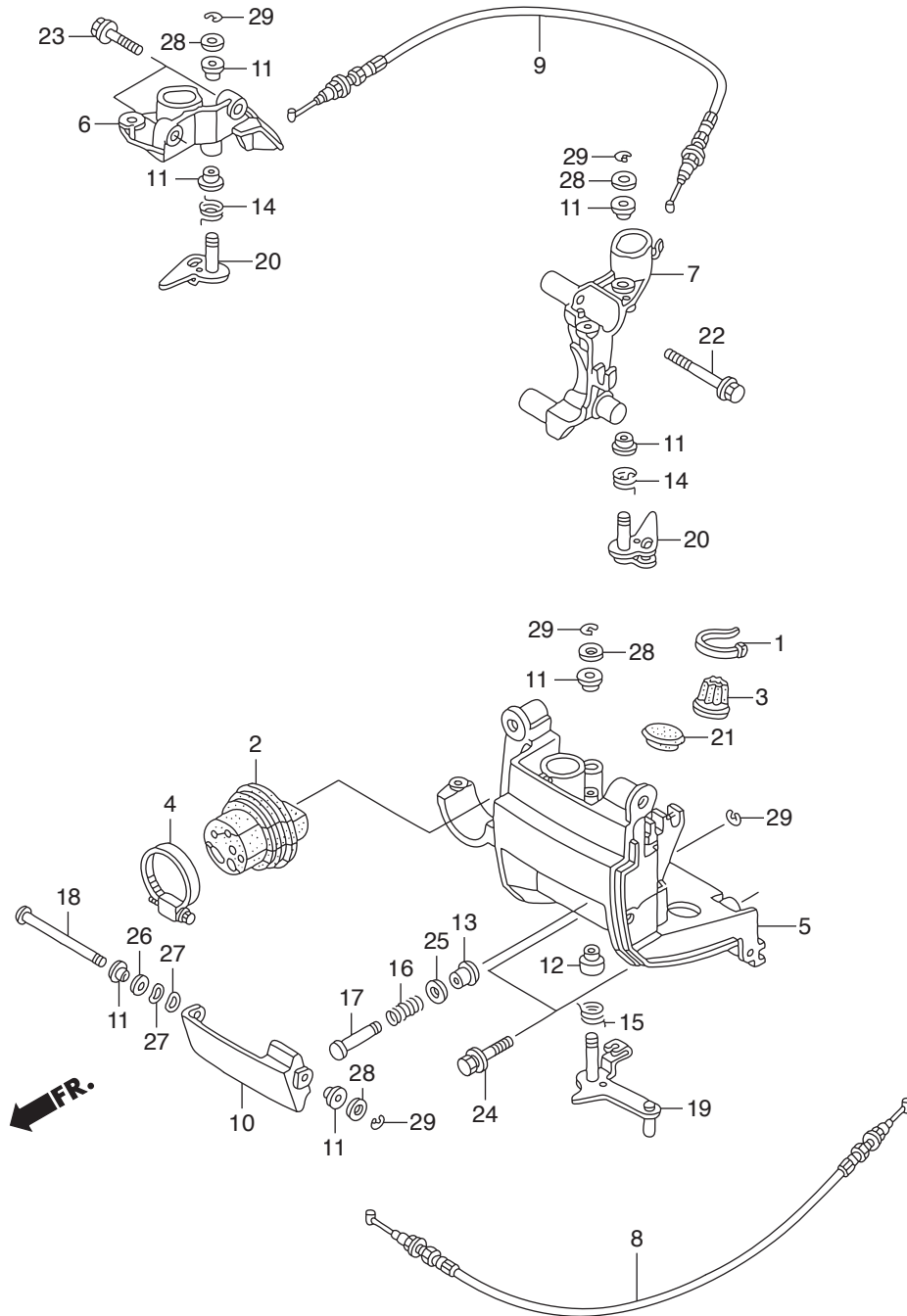


| Ref.No. | Part No. | Description | Q' ty | Remarks | |
|---------|----------|-----------------|-------------------------------|---------|----------------|
| | | | BFT150A | | |
| F-7-20 | 1 | HZY6-32370-004 | BOX ASSY., JUNCTION | 1 | |
| F-7-20 | 2 | HZY6-32371-004 | COVER COMP., FUSE | 1 | |
| F-7-20 | 3 | HZY6-38228-003 | FUSE, BLOCK 100A(L TYPE) | 2 | |
| F-7-20 | 4 | HZY6-38235-004 | PULLER, MINI FUSE | 1 | |
| F-7-20 | 5 | HSDA-39794-004 | RELAY ASSY., FUEL PUMP(DENSO) | 1 | |
| F-7-20 | 6 | HZY6-39794-003 | RELAY ASSY., POWER(12V-20A) | 3 | (MICRO ISO 4P) |
| F-7-20 | 7 | HZW9-90013-000 | BOLT, FLANGE, 6X12 | 3 | |
| F-7-20 | 8 | HZW5-90018-000 | BOLT, FLANGE, 6X20 | 4 | |
| F-7-20 | 9 | HZY6-90135-004 | SCREW-WASHER, 5X15 | 2 | |
| F-7-20 | 10 | HCO-98200-41000 | FUSE, MINI(10A) | 4 | |
| F-7-20 | 11 | HCO-98200-41500 | FUSE, MINI(15A) | 3 | |
| F-7-20 | 12 | HCO-98200-43000 | FUSE, MINI(30A) | 3 | |
| | | | | | |
| | | | | | |
| | | | | | |
| | | | | | |
| | | | | | |
| | | | | | |
| | | | | | |
| | | | | | |
| | | | | | |
| | | | | | |
| | | | | | |
| | | | | | |
| | | | | | |
| | | | | | |
| | | | | | |
| | | | | | |
| | | | | | |
| | | | | | |
| | | | | | |
| | | | | | |
| | | | | | |
| | | | | | |

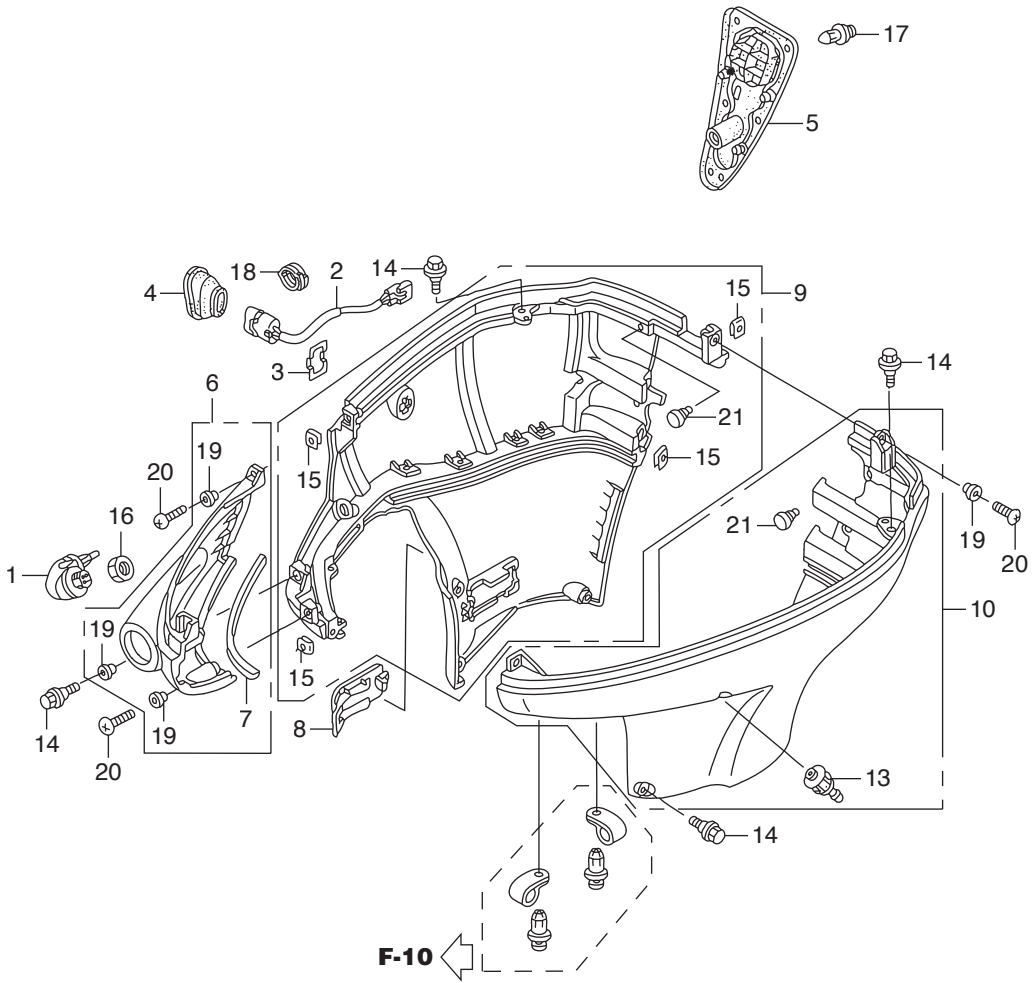




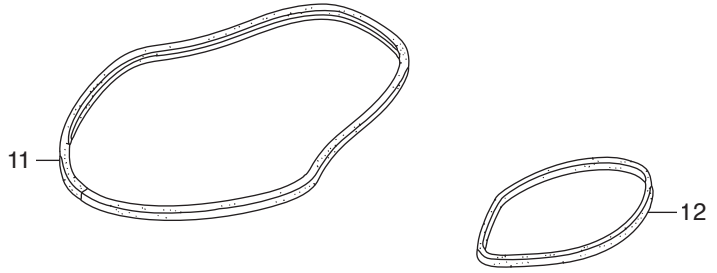
| Ref.No. | Part No. | Description | Q' ty | Remarks | |
|---------|----------|--------------------|---------------------------|---------|-----------------|
| | | | BFT150A | | |
| F-8 | 1 | HZX1-63100-R00ZA | COVER ASSY., ENGINE | 1 | *T107* BAY BLUE |
| F-8 | 2 | HZY6-63102-010 | SEAL, ENGINE COVER | 1 | |
| F-8 | 3 | HZY3-63107-000 | BRACKET, HOOK | 3 | |
| F-8 | 4 | HZY3-63108-000 | DAMPER, HOOK | 3 | |
| F-8 | 5 | HZY3-63119-000 | SPRING, LOCK ADJUSTER | 3 | |
| F-8 | 6 | HZY6-63144-000 | GUIDE, ENGINE COVER AIR | 1 | |
| F-8 | 7 | HZX1-90101-R00 | BOLT, SOCKET, 6X20 | 5 | |
| F-8 | 8 | HZY3-90109-010 | BOLT, COVER LOCK | 3 | |
| F-8 | 9 | HZX1-90133-R00 | BOLT, SOCKET, 6X16 | 1 | |
| F-8 | 10 | H921-90504-010 | WASHER, PLAIN, 6MM | 3 | |
| F-8 | 11 | HZY3-90507-000 | WASHER, PLAIN, 12MM | 3 | |
| F-8 | 12 | HZY3-91556-000 | COLLAR, DISTANCE, 6.5X9X3 | 11 | |
| F-8 | 13 | HCO-93913-142J0 | SCREW, TAPPING, 4X12 | 8 | |
| F-8 | 14 | HCO-94002-06490-0S | NUT, HEX., 6MM | 3 | |
| | | | | | |
| | | | | | |
| | | | | | |
| | | | | | |
| | | | | | |
| | | | | | |
| | | | | | |
| | | | | | |
| | | | | | |
| | | | | | |
| | | | | | |
| | | | | | |
| | | | | | |
| | | | | | |
| | | | | | |
| | | | | | |
| | | | | | |
| | | | | | |



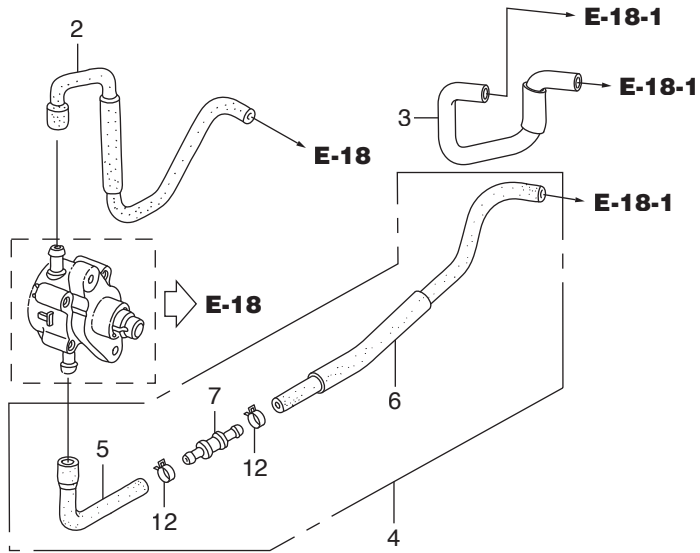
| Ref.No. | Part No. | Description | Q' ty | Remarks | |
|---------|----------|------------------|-------------------------------|---------|-----------------|
| | | | BFT150A | | |
| F-8-10 | 1 | HMG9-35701-950 | BAND(BLACK 3.5X140) | 1 | |
| F-8-10 | 2 | HZY6-40105-020 | GROMMET, REMOTE CONTROL CABLE | 1 | |
| F-8-10 | 3 | HZW1-40107-700 | GROMMET, UNDER CASE(C) | 1 | |
| F-8-10 | 4 | HZY3-40119-003 | BAND, UNDER CASE GROMMET | 1 | |
| F-8-10 | 5 | HZY6-40154-000ZC | BRACKET, FR. UNDER COVER | 1 | *T107* BAY BLUE |
| F-8-10 | 6 | HZY6-40155-000 | BRACKET, R. SIDE COVER | 1 | |
| F-8-10 | 7 | HZY6-40157-000 | BRACKET, L. SIDE COVER | 1 | |
| F-8-10 | 8 | HZY6-60180-003 | CABLE COMP. A, COVER LOCK | 1 | |
| F-8-10 | 9 | HZY6-60185-003 | CABLE COMP. B, COVER LOCK | 1 | |
| F-8-10 | 10 | HZY3-63201-000ZC | LEVER, COVER LOCK | 1 | *T107* BAY BLUE |
| F-8-10 | 11 | HZY3-63205-000 | BUSH A, COVER LOCK | 7 | |
| F-8-10 | 12 | HZY6-63205-000 | BUSH A, COVER LOCK | 1 | |
| F-8-10 | 13 | HZY3-63208-000 | BUSH B, COVER LOCK | 1 | |
| F-8-10 | 14 | HZY3-63212-000 | SPRING, COVER LOCK HOOK | 2 | |
| F-8-10 | 15 | HZY6-63212-000 | SPRING, COVER LOCK HOOK | 1 | |
| F-8-10 | 16 | HZY6-63223-000 | SPRING, LOCK LEVER RETURN | 1 | |
| F-8-10 | 17 | HZY3-63224-000 | SHAFT, COVER OPEN | 1 | |
| F-8-10 | 18 | HZY6-63225-000 | SHAFT, FR. LOCK | 1 | |
| F-8-10 | 19 | HZY6-63240-000 | LOCK COMP., FR. | 1 | |
| F-8-10 | 20 | HZY3-63260-000 | LOCK COMP., SIDE | 2 | |
| F-8-10 | 21 | HZC0-63515-700 | CAP, L. SIDE COVER | 1 | |
| F-8-10 | 22 | HZY6-90001-000 | BOLT, FLANGE, 8X55 | 2 | |
| F-8-10 | 23 | HZY3-90030-000 | BOLT, FLANGE, 6X22 | 2 | |
| F-8-10 | 24 | HZY6-90105-000 | BOLT-WASHER, 8X30 | 2 | |
| F-8-10 | 25 | HMM8-90501-610 | WASHER, PLAIN, 8MM | 1 | |
| F-8-10 | 26 | HMM8-90502-610 | WASHER, PLAIN, 10MM | 1 | |
| F-8-10 | 27 | HZW9-90506-000 | WASHER, WAVE, 10MM | 2 | |
| F-8-10 | 28 | H921-90518-000 | WASHER, PLAIN, 8MM | 4 | |
| F-8-10 | 29 | HCO-94540-06029 | E-RING, 6MM | 5 | |



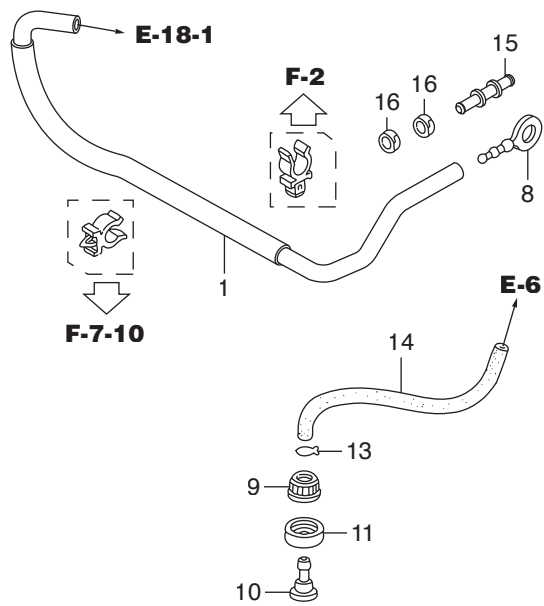
FR. ←



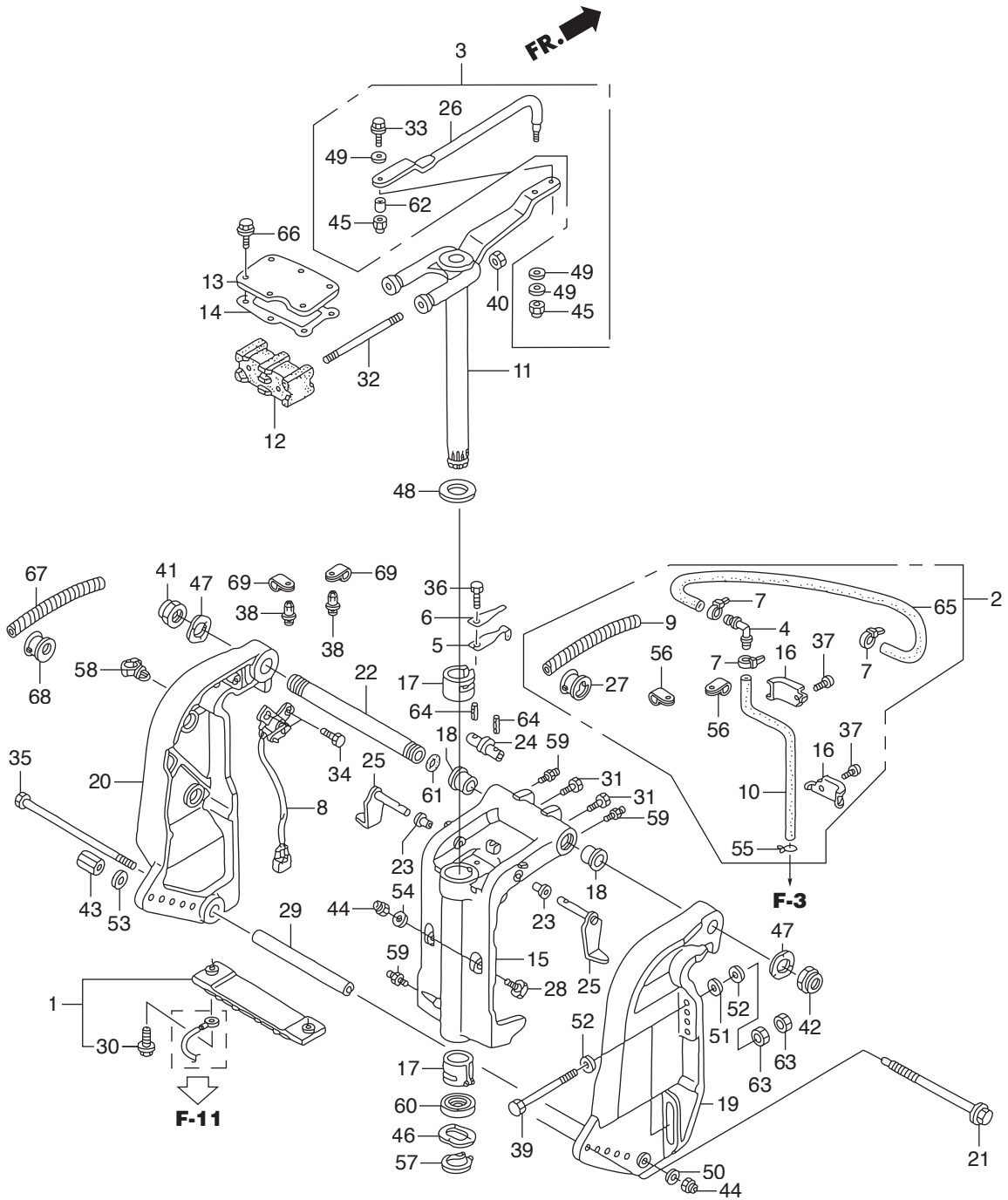
| Ref.No. | Part No. | Description | Q' ty | Remarks | |
|---------|----------|--------------------|----------------------------|---------|-----------------|
| | | | BFT150A | | |
| F-8-20 | 1 | HZY6-19289-000 | CAP, WATER JOINT | 1 | |
| F-8-20 | 2 | HZY6-35640-003 | SWITCH ASSY., POWER TILT | 1 | |
| F-8-20 | 3 | HZY3-35645-000 | STAY, POWER TILT SWITCH | 1 | |
| F-8-20 | 4 | HZY6-40114-010 | GROMMET, POWER TILT SWITCH | 1 | |
| F-8-20 | 5 | HZY6-40116-000 | GROMMET, UNDER COVER | 1 | |
| F-8-20 | 6 | HZY6-40151-010ZD | COVER, FR. SEPARATE | 1 | *T107* BAY BLUE |
| F-8-20 | 7 | HZY6-40152-300 | SEAL, FR. SEPARATE COVER | 1 | |
| F-8-20 | 8 | HZY6-40212-020ZC | COVER, DRAIN PLUG | 1 | *T107* BAY BLUE |
| F-8-20 | 9 | HZY6-63711-010ZC | COVER, R. ENGINE UNDER | 1 | *T107* BAY BLUE |
| F-8-20 | 10 | HZY6-63716-010ZC | COVER, L. ENGINE UNDER | 1 | *T107* BAY BLUE |
| F-8-20 | 11 | HZY6-63718-000 | SEAL A, COVER UNDER | 1 | |
| F-8-20 | 12 | HZY6-63719-000 | SEAL B, COVER UNDER | 1 | |
| F-8-20 | 13 | HZY6-82873-000 | GROMMET, WATER CHECK | 1 | |
| F-8-20 | 14 | HZY3-90111-000 | BOLT, SPECIAL, 6X17 | 12 | |
| F-8-20 | 15 | HZY6-90301-000 | NUT, CLIP | 6 | |
| F-8-20 | 16 | H921-90302-000 | NUT, HEX., 16MM | 1 | |
| F-8-20 | 17 | HHC4-90653-900 | CLIP, MUDGUARD | 6 | |
| F-8-20 | 18 | HKJ2-90683-003 | CLIP, WIRE HARNESS | 1 | |
| F-8-20 | 19 | HZY6-91553-000 | COLLAR, DISTANCE, 6.5X9X5 | 6 | |
| F-8-20 | 20 | HCO-93500-06025-4J | SCREW, PAN, 6X25 | 6 | |
| F-8-20 | 21 | HCO-95011-62000 | RUBBER B, STAND STOPPER | 2 | |
| | | | | | |
| | | | | | |
| | | | | | |
| | | | | | |
| | | | | | |
| | | | | | |
| | | | | | |
| | | | | | |
| | | | | | |
| | | | | | |
| | | | | | |



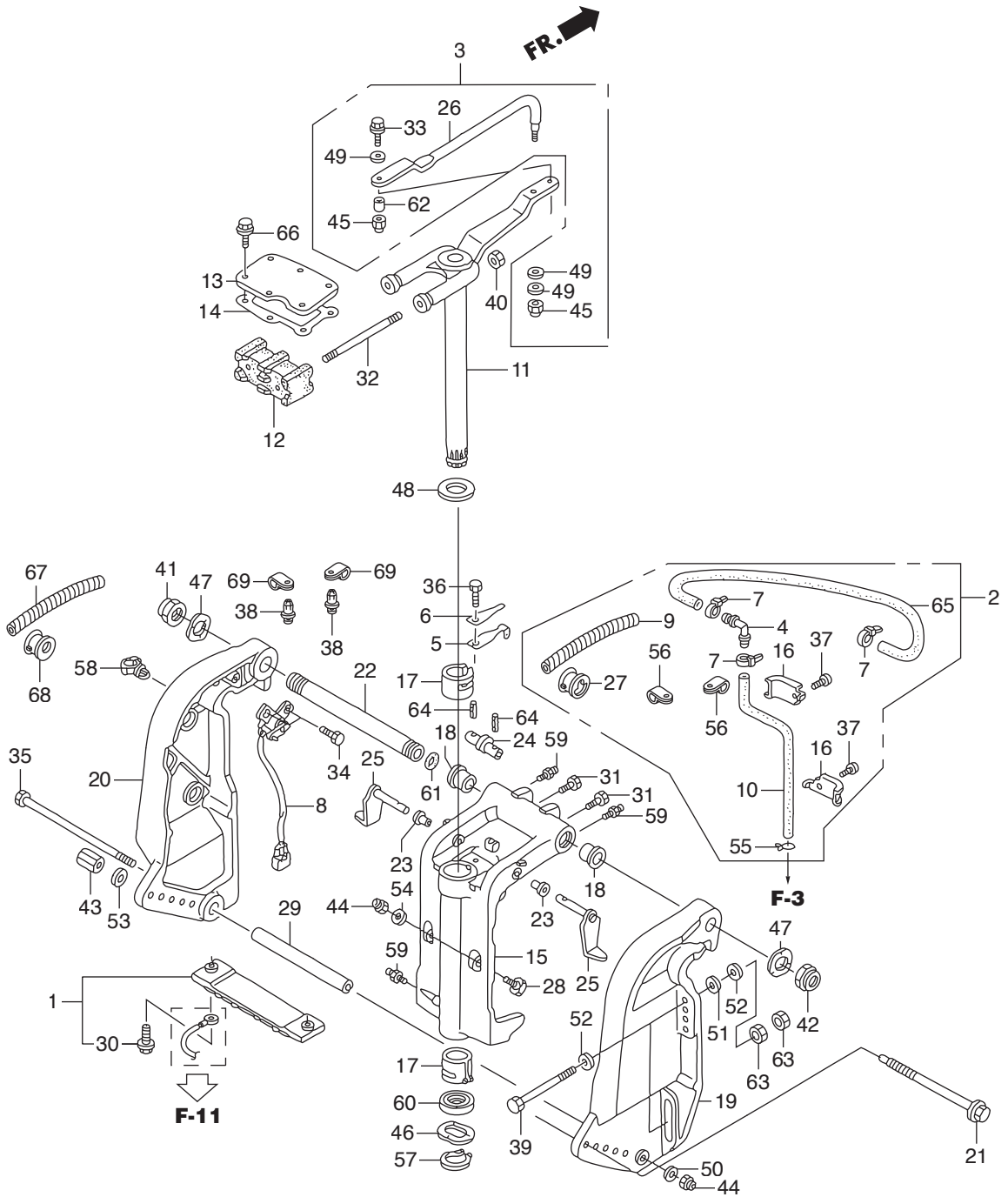
FR. →



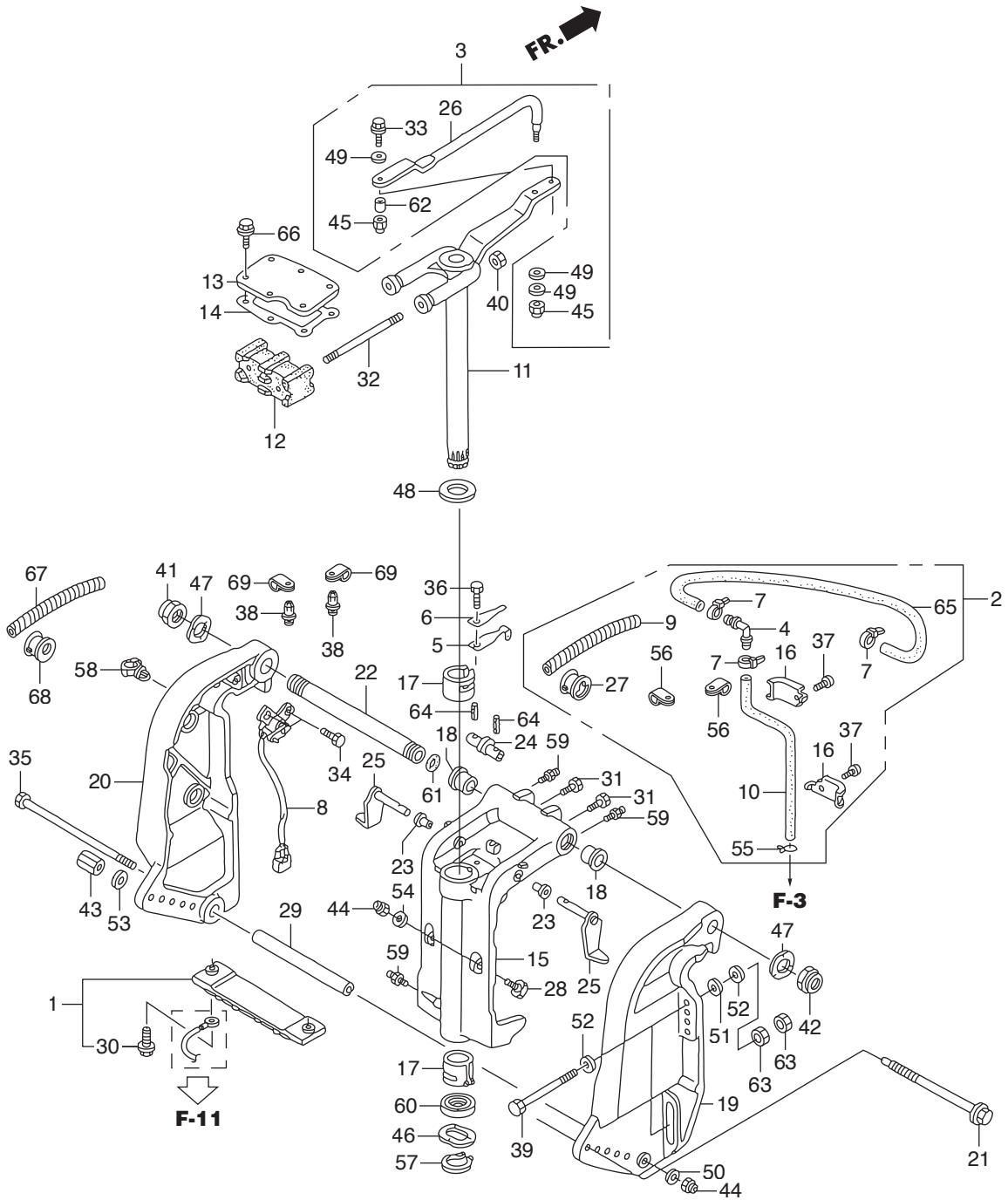
| Ref.No. | Part No. | Description | Q' ty | Remarks | |
|---------|----------|--------------------|-------------------------|---------|--------------------|
| | | | BFT150A | | |
| F-9 | 1 | HZY6-16850-000 | TUBE COMP. A, FUEL | 1 | |
| F-9 | 2 | HZY6-16860-000 | TUBE COMP. B, FUEL | 1 | |
| F-9 | 3 | HZY6-16871-000 | TUBE C, FUEL | 1 | |
| F-9 | 4 | HZY6-16880-030 | TUBE ASSY. D, FUEL | 1 | |
| F-9 | 5 | HZY6-16881-000 | TUBE D, FUEL | 1 | |
| F-9 | 6 | HZY6-16890-000 | TUBE COMP. E, FUEL | 1 | |
| F-9 | 7 | HMR5-16966-000 | JOINT, FUEL TUBE | 1 | |
| F-9 | 8 | HZY3-17738-000 | PLUG, FUEL TUBE | 1 | |
| F-9 | 9 | HZY3-19270-000 | NUT, WATER MOUTH | 1 | |
| F-9 | 10 | HZY3-19271-000 | JOINT, WATER HOSE | 1 | |
| F-9 | 11 | HZY3-19272-000 | SEAT, WATER MOUTH | 1 | |
| F-9 | 12 | HZW5-90602-030 | CLAMP, TUBE(D12) | 2 | |
| F-9 | 13 | HZY6-90651-000 | CLIP B1, TUBE | 1 | |
| F-9 | 14 | HCO-95001-80300-40 | TUBE, FUEL, 8X300 | 1 | HC-95001-80001-60M |
| F-9 | 15 | HMR5-16966-000 | JOINT, FUEL TUBE | 1 | |
| F-9 | 16 | HZV4-17704-010 | BAND, TUBE CLIP, 12.5MM | 2 | |
| | | | | | |
| | | | | | |
| | | | | | |
| | | | | | |
| | | | | | |
| | | | | | |
| | | | | | |
| | | | | | |
| | | | | | |
| | | | | | |
| | | | | | |
| | | | | | |
| | | | | | |
| | | | | | |
| | | | | | |
| | | | | | |
| | | | | | |
| | | | | | |
| | | | | | |
| | | | | | |
| | | | | | |
| | | | | | |

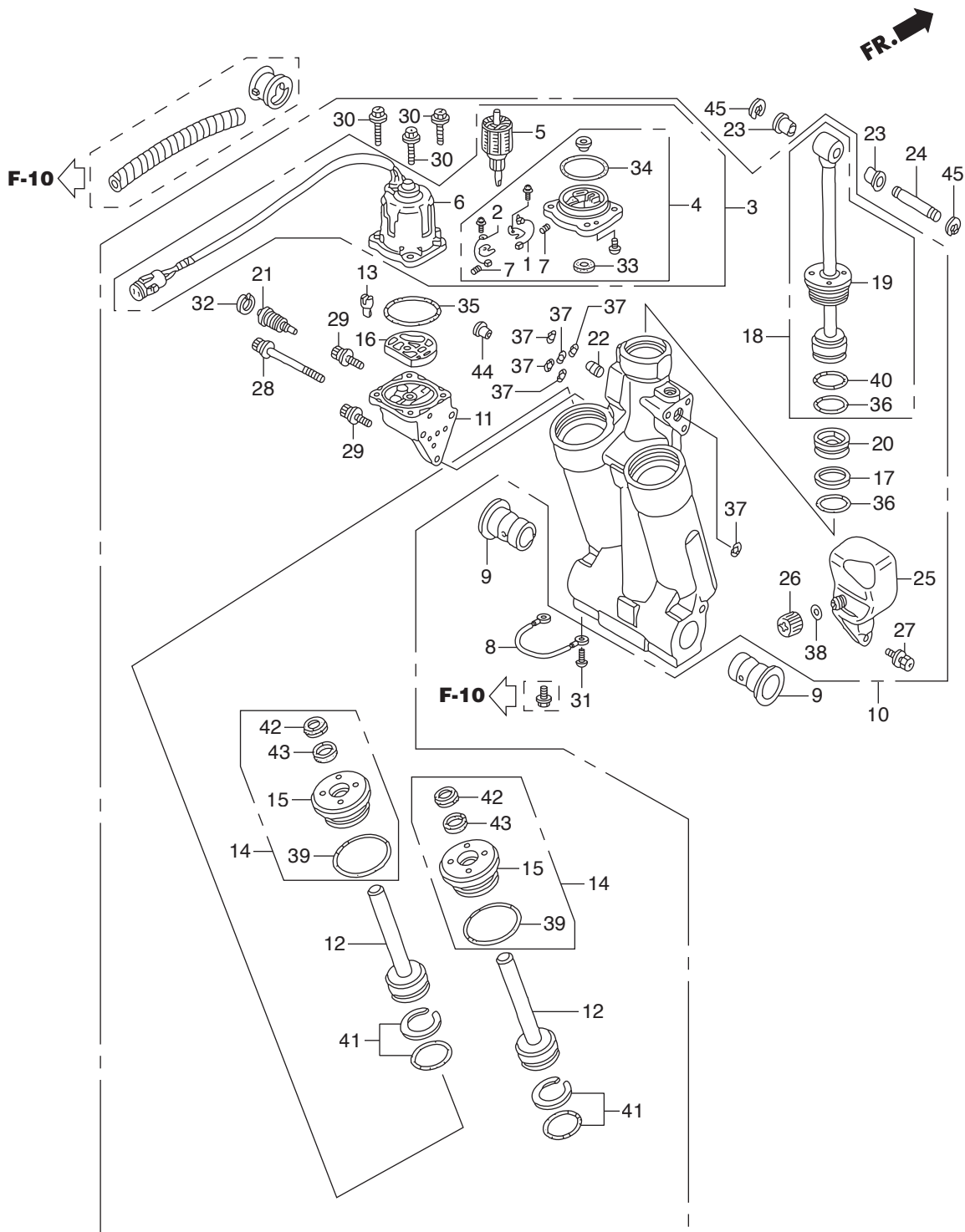


| Ref.No. | Part No. | Description | Q' ty | Remarks | |
|---------|----------|------------------|-------------------------------|---------|-----------------|
| | | | BFT150A | | |
| F-10 | 1 | HZW1-06411-020 | METAL KIT, ANODE | 1 | |
| F-10 | 2 | HZY6-06411-000 | TUBE KIT, SPEED SENSOR | 1 | |
| F-10 | 3 | HZY6-06532-U00 | ROD KIT, STEERING | 1 | |
| F-10 | 4 | HGE1-17357-670 | JOINT A, BREATHER | 1 | |
| F-10 | 5 | HZV1-24210-010 | SPRING COMP., CLICK | 1 | |
| F-10 | 6 | HZV4-24221-010 | SPRING, CLICK ASSIST | 1 | |
| F-10 | 7 | HKM3-32161-003 | BAND, WIRE | 3 | |
| F-10 | 8 | HZY6-35660-013 | SENSOR ASSY., TRIM ANGLE | 1 | |
| F-10 | 9 | HZY6-36104-003 | TUBE, SPIRAL | 1 | |
| F-10 | 10 | HZY6-41173-000 | TUBE, SPEED SENSOR | 1 | |
| F-10 | 11 | HZY6-50100-000 | FRAME COMP., MOUNTING | 1 | |
| F-10 | 12 | HZW5-50151-000 | MOUNT COMP., UPPER RUBBER | 1 | |
| F-10 | 13 | HZY6-50167-000 | HOLDER, UPPER MOUNTING | 1 | |
| F-10 | 14 | HZY6-50168-003 | GASKET, UPPER MOUNTING HOLDER | 1 | |
| F-10 | 15 | HZW1-50201-040ZC | CASE, SWIVEL | 1 | *T107* BAY BLUE |
| F-10 | 16 | HZY6-50209-000 | PLATE, SPEED SENSOR TUBE | 2 | |
| F-10 | 17 | HZZ5-50211-000 | LINER, SWIVEL CASE | 2 | |
| F-10 | 18 | HZW1-50214-000 | BUSH, SWIVEL CASE | 2 | |
| F-10 | 19 | HZW1-50301-070ZC | BRACKET, R. STERN | 1 | *T107* BAY BLUE |
| F-10 | 20 | HZW1-50311-070ZC | BRACKET, L. STERN | 1 | *T107* BAY BLUE |
| F-10 | 21 | HZW5-50341-010 | ROD, ADJUSTING | 1 | |
| F-10 | 22 | HZY3-50381-000 | SHAFT, TILTING | 1 | |
| F-10 | 23 | HZV5-50522-000 | BUSH, TILT ARM | 2 | |
| F-10 | 24 | HZW1-50527-000 | BRACKET, TILTING | 1 | |
| F-10 | 25 | HZW1-50529-000 | STOPPER, TILT | 2 | |
| F-10 | 26 | HZW1-53238-010 | ROD, STEERING | 1 | |
| F-10 | 27 | HZY6-56118-000 | BUSH, MOTOR CODE | 1 | |
| F-10 | 28 | HZW1-56516-000 | RECEIVER, THRUST | 2 | |
| F-10 | 29 | HZW1-56539-000 | COLLAR, LOWER CYLINDER | 1 | |

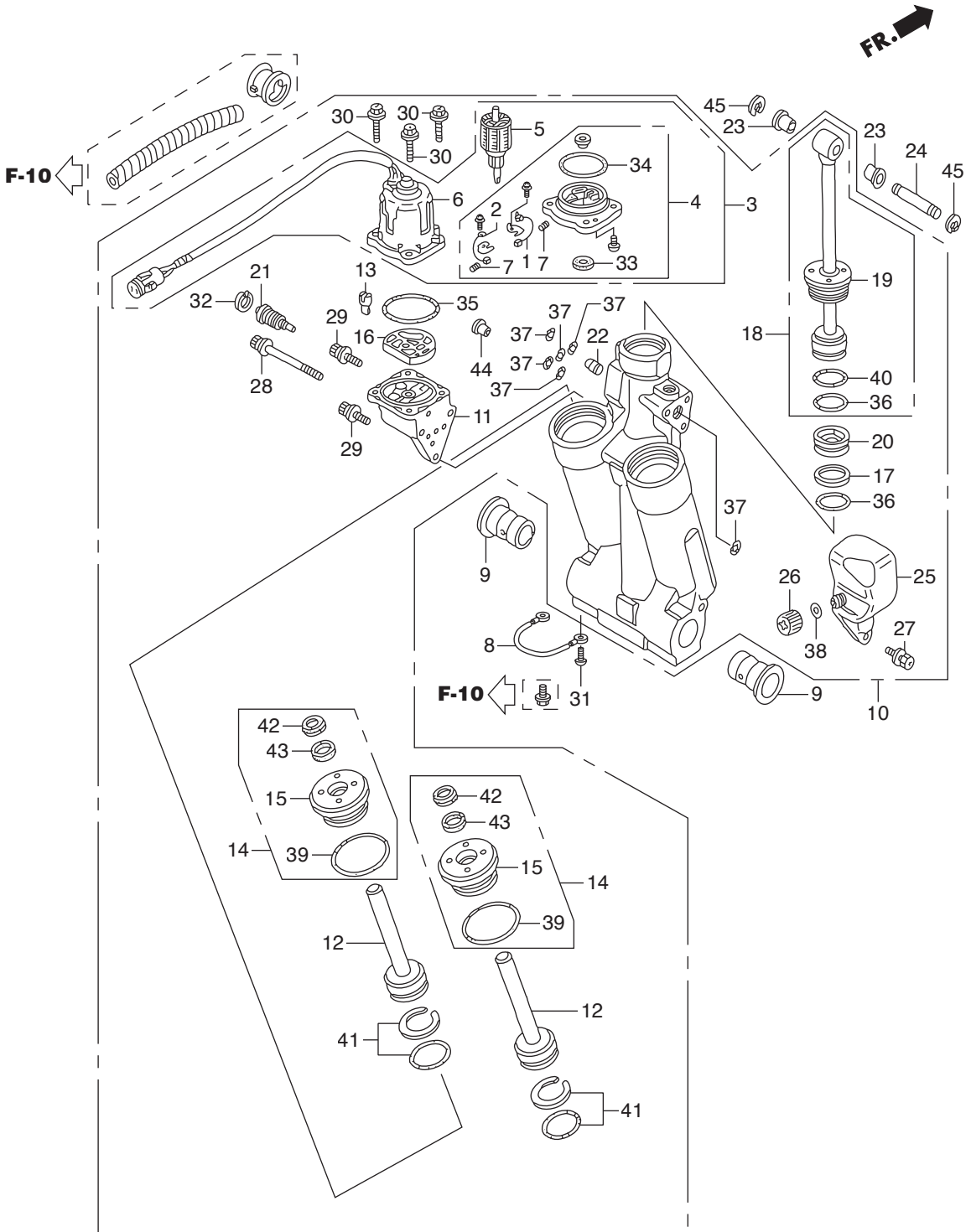


| Ref.No. | Part No. | Description | Q' ty | Remarks | |
|---------|----------|----------------|---------------------------|---------|--|
| | | | BFT150A | | |
| F-10 | 30 | HZW9-90009-000 | BOLT, FLANGE, 6X23 | 2 | |
| F-10 | 31 | HZW1-90102-000 | BOLT, 1/4-28UNF | 2 | |
| F-10 | 32 | HZY6-90102-000 | BOLT, STUD, 12X145 | 2 | |
| F-10 | 33 | HZW1-90105-000 | BOLT, 3/8-24UNF | 1 | |
| F-10 | 34 | HZW9-90105-000 | BOLT, FLANGE, 6X20 | 2 | |
| F-10 | 35 | HZW1-90108-000 | BOLT, HEX., 10X235 | 1 | |
| F-10 | 36 | H881-90110-000 | BOLT, HEX., 6X14 | 1 | |
| F-10 | 37 | HZV5-90119-000 | SCREW, PAN, 6X8 | 2 | |
| F-10 | 38 | HZV5-90127-003 | SCREW, RIVET, 5X10 | 2 | |
| F-10 | 39 | HZX2-90129-000 | BOLT, HEX., 12X130 | 4 | |
| F-10 | 40 | HZW5-90302-003 | NUT, FLANGE, 12MM | 2 | |
| F-10 | 41 | HZV5-90304-013 | NUT, SELF-LOCK(7/8-14UNF) | 1 | |
| F-10 | 42 | HZW1-90304-013 | NUT, SELF-LOCK(25X2.0) | 1 | |
| F-10 | 43 | HZW5-90304-000 | NUT, ADJUSTER ROD | 1 | |
| F-10 | 44 | HZW4-90306-003 | NUT, FLANGE, 10MM | 3 | |
| F-10 | 45 | HZV5-90307-003 | NUT, SELF-LOCK(3/8-24UNF) | 2 | |
| F-10 | 46 | HZV5-90501-000 | WASHER, WAVE, 40MM | 1 | |
| F-10 | 47 | HZV5-90502-000 | WASHER, WAVE, 26MM | 2 | |
| F-10 | 48 | HZV5-90504-000 | WASHER, THRUST, 34MM | 1 | |
| F-10 | 49 | HZV4-90514-000 | WASHER, 10MM | 3 | |
| F-10 | 50 | H921-90511-000 | WASHER, PLAIN, 10MM | 1 | |
| F-10 | 51 | HZV5-90552-000 | WASHER, PLAIN, 12MM | 4 | |
| F-10 | 52 | HZV5-90559-000 | WASHER, PLAIN, 12MM | 8 | |
| F-10 | 53 | HZV5-90559-000 | WASHER, PLAIN, 12MM | 1 | |
| F-10 | 54 | HZV5-90563-000 | WASHER, PLAIN, 10MM | 2 | |
| F-10 | 55 | H921-90602-000 | CLIP, TUBE(B8) | 1 | |
| F-10 | 56 | H750-90628-000 | CLIP(14MM) | 2 | |
| F-10 | 57 | HZV5-90651-000 | CIRCLIP, EXTERNAL, 39MM | 1 | |
| F-10 | 58 | H763-90681-A01 | CLIP, WIRE HARNESS | 1 | |

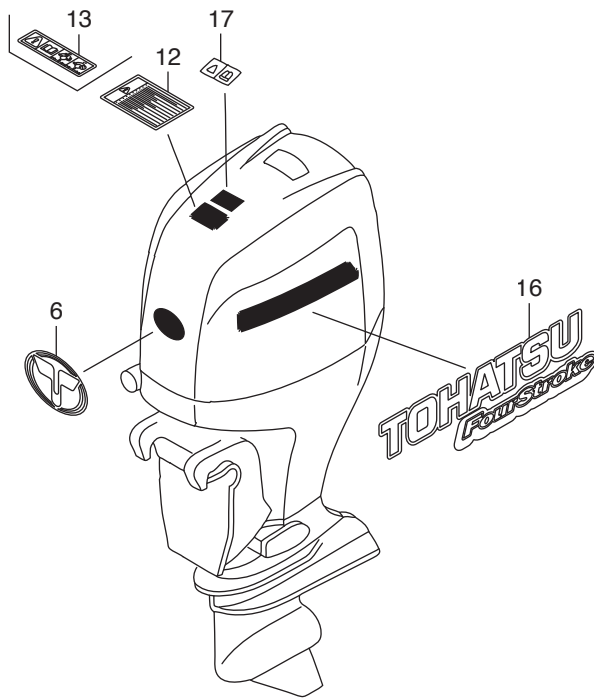
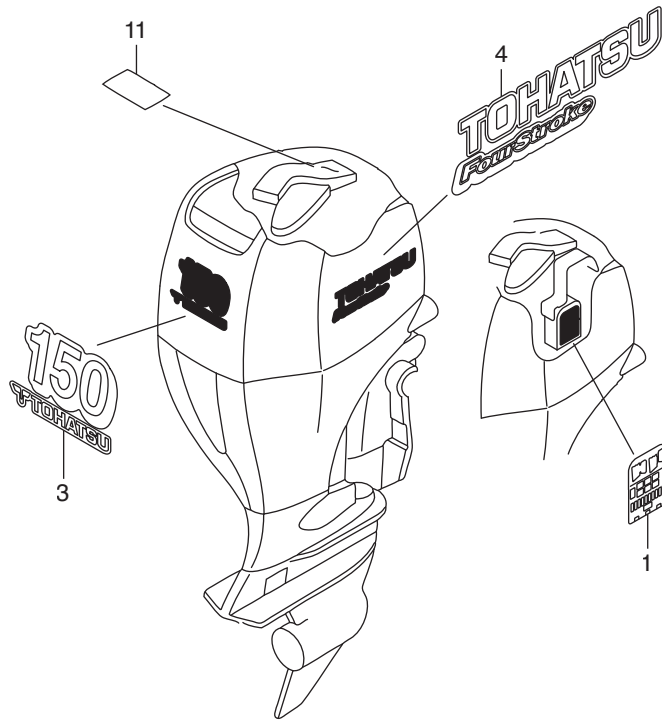




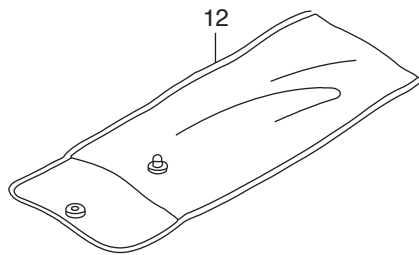
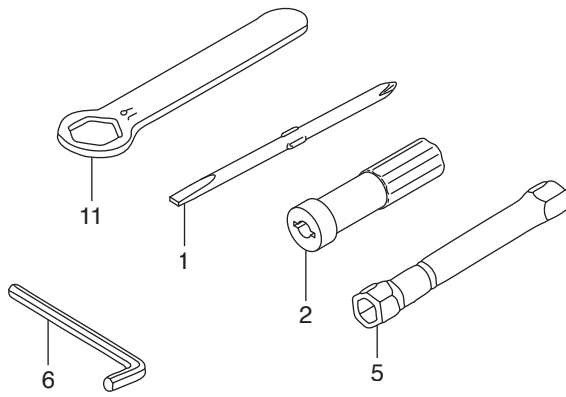
| Ref.No. | Part No. | Description | Q' ty | Remarks | |
|---------|----------|----------------|-------------------------|---------|--|
| | | | BFT150A | | |
| F-11 | 1 | HZY3-30280-003 | BREAKER ASSY. | 1 | |
| F-11 | 2 | HZY3-31106-003 | BRUSH ASSY. | 1 | |
| F-11 | 3 | HZY6-36120-013 | MOTOR ASSY., POWER TILT | 1 | |
| F-11 | 4 | HZY3-36122-013 | BRACKET ASSY. | 1 | |
| F-11 | 5 | HZY3-36123-013 | ARMATURE COMP. | 1 | |
| F-11 | 6 | HZY6-36129-013 | YOKE ASSY. | 1 | |
| F-11 | 7 | HZV5-36136-821 | SPRING, MOTOR | 2 | |
| F-11 | 8 | HZY3-40219-013 | WIRE, LEAD(1.5X116MM) | 1 | |
| F-11 | 9 | HZV5-50214-003 | BUSH, SWIVEL CASE | 2 | |
| F-11 | 10 | HZY6-56000-043 | TRIM-TILT ASSY., POWER | 1 | |
| F-11 | 11 | HZY6-56100-013 | PUMP ASSY. | 1 | |
| F-11 | 12 | HZW1-56110-701 | ROD COMP., PISTON(B) | 2 | |
| F-11 | 13 | HZW1-56113-701 | JOINT, DRIVE | 1 | |
| F-11 | 14 | HZW1-56115-305 | GUIDE COMP., ROD | 2 | |
| F-11 | 15 | HZY9-56115-003 | GUIDE COMP., ROD | 2 | |
| F-11 | 16 | HZW1-56116-701 | FILTER B | 1 | |
| F-11 | 17 | HZV5-56117-821 | RING, BACK UP | 1 | |
| F-11 | 18 | HZW1-56120-305 | ROD COMP., PISTON | 1 | |
| F-11 | 19 | HZY9-56120-003 | ROD COMP., PISTON | 1 | |
| F-11 | 20 | HZW1-56130-702 | PISTON COMP., FREE | 1 | |
| F-11 | 21 | HZY3-56170-013 | VALVE COMP., MANUAL | 1 | |
| F-11 | 22 | HZW1-56180-701 | VALVE COMP., RESERVOIR | 1 | |
| F-11 | 23 | HZV5-56513-000 | BUSH, LOWER CYLINDER | 2 | |
| F-11 | 24 | HZW1-56532-000 | PIN, UPPER CYLINDER | 1 | |
| F-11 | 25 | HZW1-56851-703 | TANK, OIL | 1 | |
| F-11 | 26 | HZW1-56860-701 | CAP COMP., OIL TANK | 1 | |
| F-11 | 27 | HZW1-90113-702 | BOLT, RECESSED | 3 | |
| F-11 | 28 | HZW1-90114-702 | BOLT, SOCKET(A) | 1 | |
| F-11 | 29 | HZW1-90115-702 | BOLT, SOCKET(B) | 2 | |

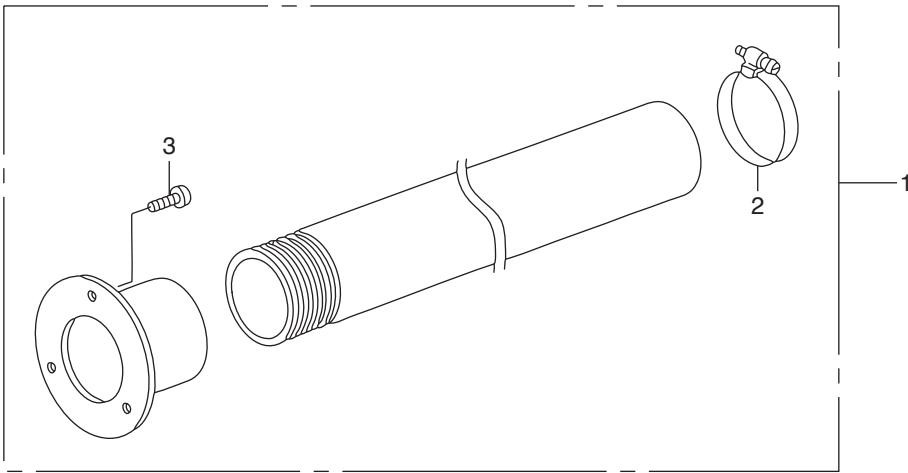


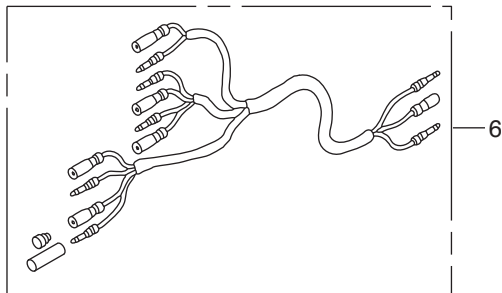
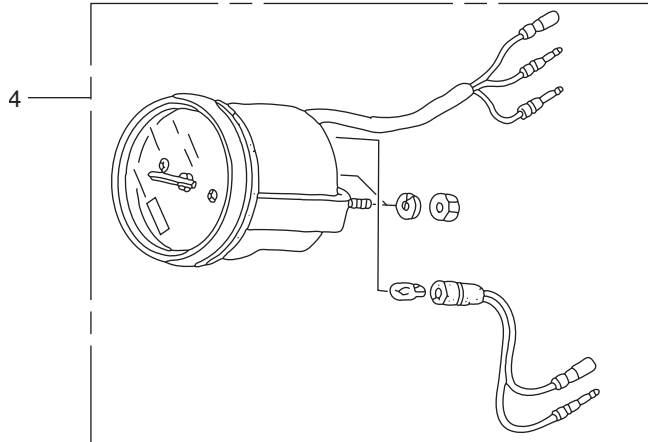
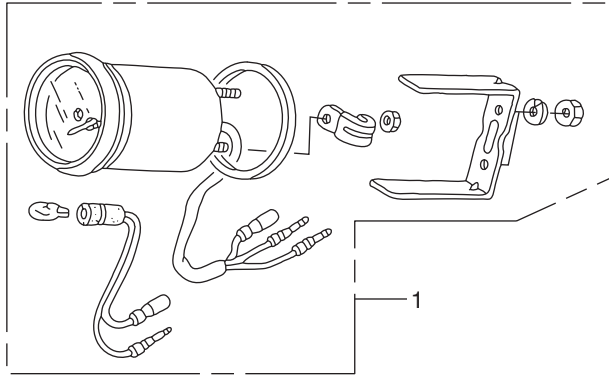
| Ref.No. | | Part No. | Description | Q' ty | Remarks |
|---------|----|-----------------|----------------------|---------|---------|
| | | | | BFT150A | |
| F-11 | 30 | HZW1-90116-702 | BOLT, HEX. | 4 | |
| F-11 | 31 | HZV5-90119-000 | SCREW, PAN, 6X8 | 1 | |
| F-11 | 32 | HZW1-90652-702 | CIRCLIP, INTERNAL | 1 | |
| F-11 | 33 | HZV5-91203-821 | OIL SEAL | 1 | |
| F-11 | 34 | HZW1-91207-013 | O-RING, 2.0X70.5 | 1 | |
| F-11 | 35 | HZV5-91302-821 | O-RING, 1.8X69.6 | 1 | |
| F-11 | 36 | HZV5-91316-821 | O-RING, 3.5X38.7 | 2 | |
| F-11 | 37 | HZW1-91352-702 | O-RING, 1.8X7.7 | 6 | |
| F-11 | 38 | HZW1-91353-703 | O-RING, 1.9X11 | 1 | |
| F-11 | 39 | HZW1-91354-701 | O-RING, 3.5X35.7 | 2 | |
| F-11 | 40 | HZW1-91355-701 | O-RING, 3.5X41.7 | 1 | |
| F-11 | 41 | HZW1-91357-701 | O-RING SET, 3.5X31.7 | 2 | |
| F-11 | 42 | HZW1-91358-701 | SEAL, WATER | 2 | |
| F-11 | 43 | HZW1-91361-701 | PACKING | 2 | |
| F-11 | 44 | HZW1-91557-701 | COLLAR, ORIFICE | 1 | |
| F-11 | 45 | HCO-94540-15029 | E-RING, 15MM | 2 | |
| | | | | | |
| | | | | | |
| | | | | | |
| | | | | | |
| | | | | | |
| | | | | | |
| | | | | | |
| | | | | | |
| | | | | | |
| | | | | | |
| | | | | | |
| | | | | | |
| | | | | | |
| | | | | | |
| | | | | | |
| | | | | | |

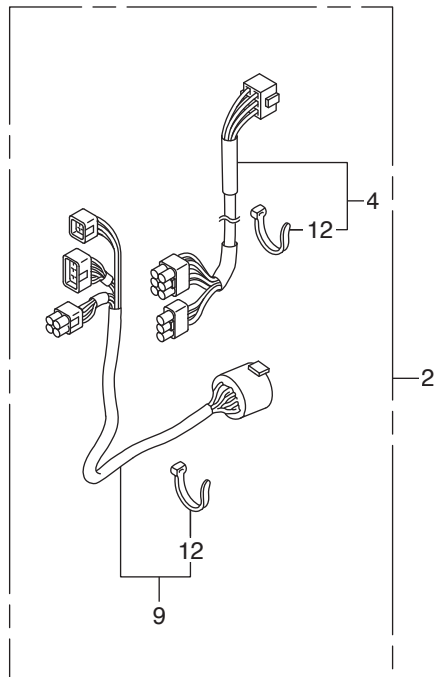
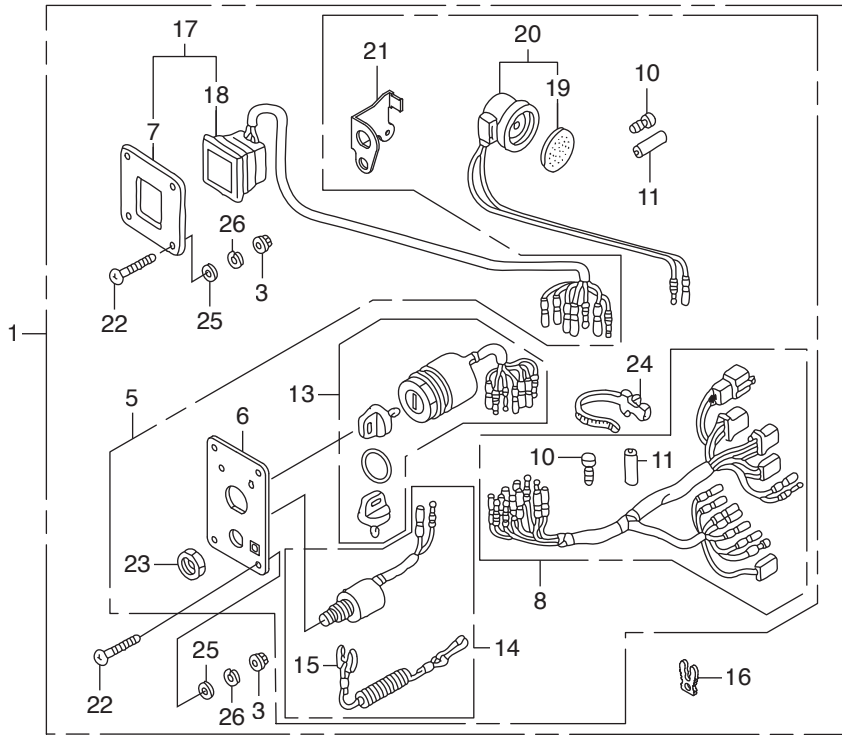


| Ref.No. | Part No. | Description | Q' ty | Remarks | |
|---------|----------|----------------|-----------------------------|---------|-------|
| | | | BFT150A | | |
| F-12 | 1 | HZY6-87117-U80 | LABEL, FUSE(EU) | 1 | LU,XU |
| F-12 | | HZY6-87117-640 | LABEL, FUSE | 1 | XD |
| F-12 | 3 | HZY6-87121-R00 | MARK, RR.(BFT150) | 1 | |
| F-12 | 4 | HZX1-87132-R00 | MARK, R. SIDE STRIPE | 1 | |
| F-12 | 6 | HZZ3-87301-R00 | MARK, FR. EMBLEM(TOHATSU) | 1 | |
| F-12 | 11 | HZY6-87531-620 | LABEL, OIL CAUTION(EF) | 1 | |
| F-12 | 12 | HZW1-87538-721 | LABEL, WARNING OPERATOR(EC) | 1 | XD |
| F-12 | 13 | HZY9-87538-U80 | LABEL, WARNING OPERATOR(EU) | 1 | LU,XU |
| F-12 | 16 | HZX1-87133-R00 | MARK, L. SIDE STRIPE | 1 | |
| F-12 | 17 | HVA9-87516-B50 | MARK, OPERATOR CAUTION | 1 | XD |
| | | | | | |
| | | | | | |
| | | | | | |
| | | | | | |
| | | | | | |
| | | | | | |
| | | | | | |
| | | | | | |
| | | | | | |
| | | | | | |
| | | | | | |
| | | | | | |
| | | | | | |
| | | | | | |
| | | | | | |
| | | | | | |
| | | | | | |
| | | | | | |
| | | | | | |
| | | | | | |
| | | | | | |
| | | | | | |
| | | | | | |
| | | | | | |
| | | | | | |
| | | | | | |
| | | | | | |
| | | | | | |
| | | | | | |
| | | | | | |
| | | | | | |
| | | | | | |
| | | | | | |
| | | | | | |
| | | | | | |
| | | | | | |
| | | | | | |

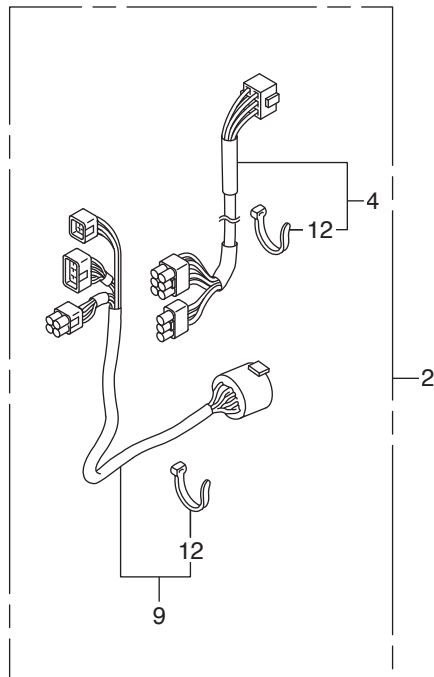
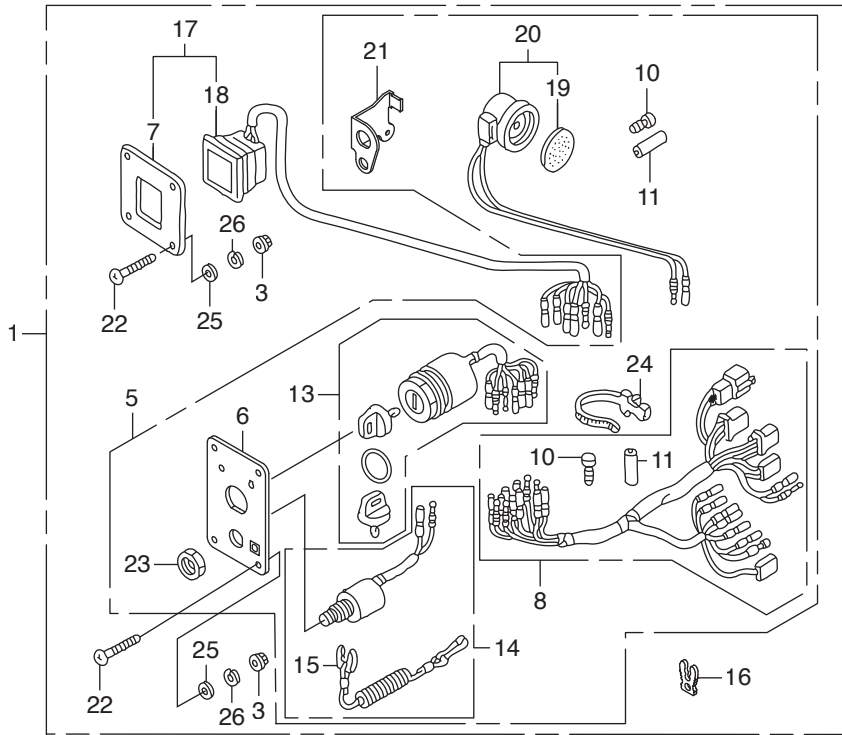


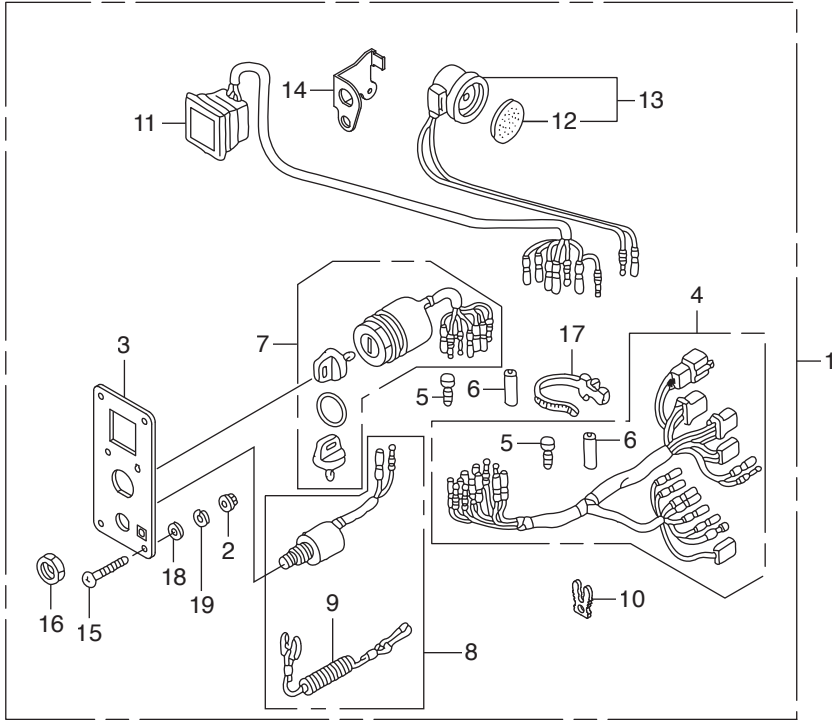




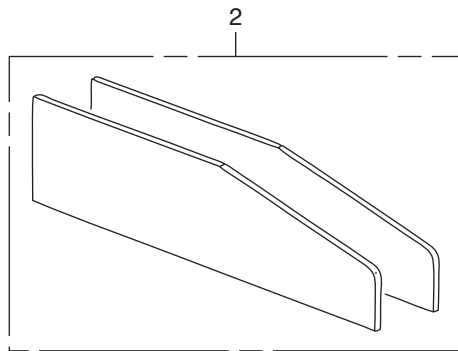
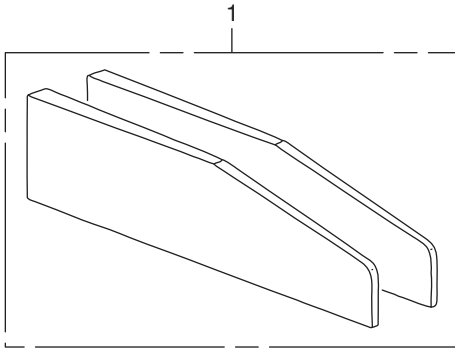


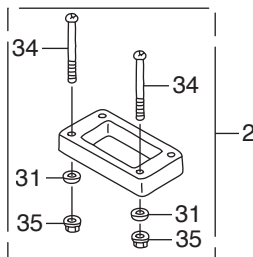
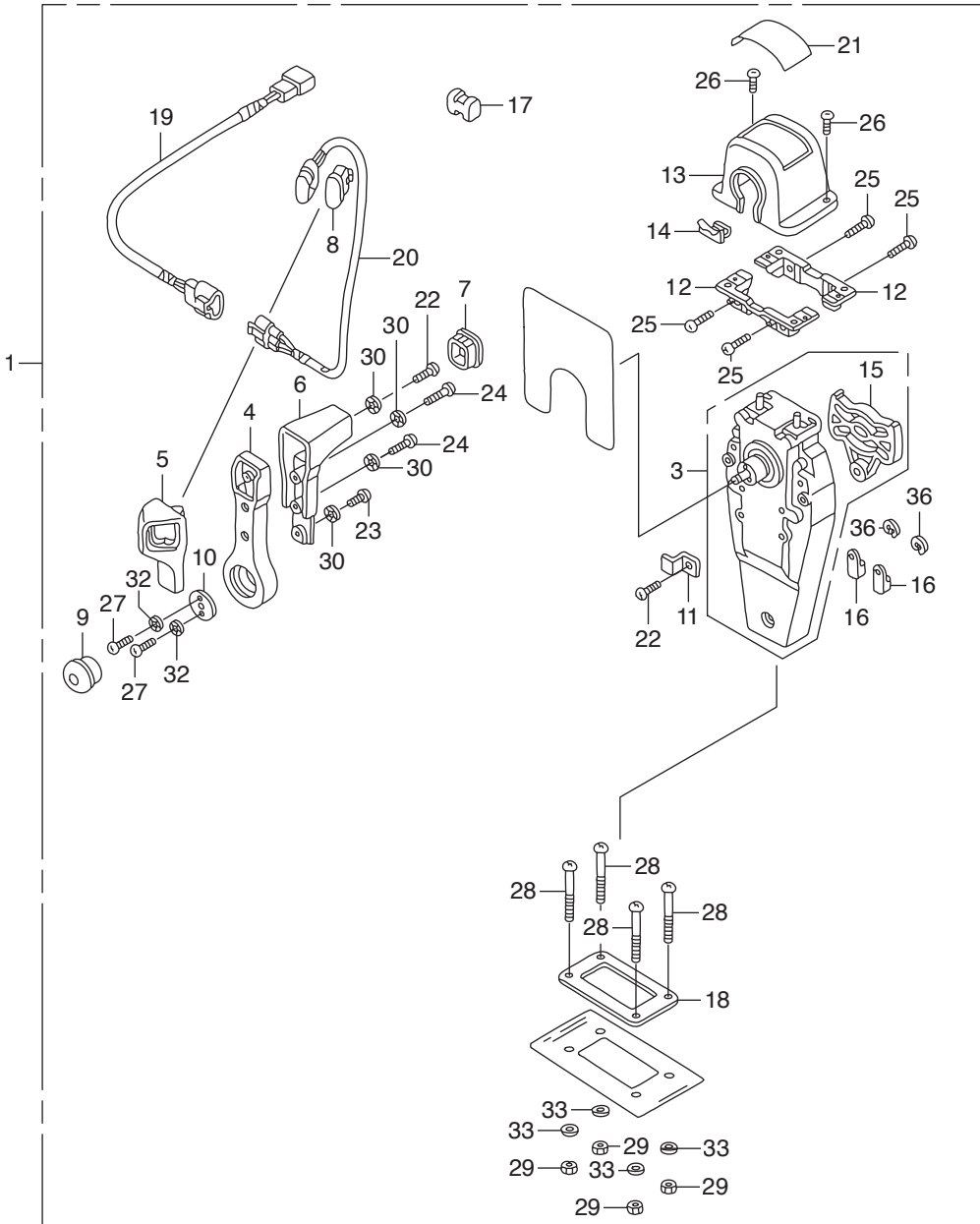
| Ref.No. | Part No. | Description | Q' ty | Remarks | |
|---------|----------|----------------|-------------------------------|---------|--------|
| | | | BFT150A | | |
| FOP-6 | 1 | HZZ3-06323-R00 | PANEL KIT, SWITCH(B)(4-LED) | 1 | LU,XU |
| FOP-6 | | HZZ3-06323-R20 | PANEL KIT, SWITCH(4-LED) | 1 | XD |
| FOP-6 | 2 | HZZ5-06325-600 | CABLE SET, PANEL INDICATOR | 1 | (20FT) |
| FOP-6 | | HZZ5-06325-700 | CABLE SET, PANEL INDICATOR | 1 | (25FT) |
| FOP-6 | | HZZ5-06325-800 | CABLE SET, PANEL INDICATOR | 1 | (30FT) |
| FOP-6 | 3 | HMT8-18334-770 | NUT, FLANGE, 5MM | 8 | |
| FOP-6 | 4 | HZZ5-32185-600 | CORD ASSY., INDICATOR(20FT) | 1 | |
| FOP-6 | | HZZ5-32185-700 | CORD ASSY., INDICATOR(25FT) | 1 | |
| FOP-6 | | HZZ5-32185-800 | CORD ASSY., INDICATOR(30FT) | 1 | |
| FOP-6 | 5 | HZZ3-32341-R01 | PANEL ASSY., SWITCH | 1 | LU,XU |
| FOP-6 | | HZZ3-32341-R31 | PANEL ASSY., SWITCH | 1 | XD |
| FOP-6 | 6 | HZZ3-32346-R01 | PANEL, CONTROL | 1 | LU,XU |
| FOP-6 | | HZZ3-32346-R21 | PANEL, CONTROL | 1 | XD |
| FOP-6 | 7 | HZZ3-32347-R01 | PANEL, CONTROL | 1 | |
| FOP-6 | 8 | HZZ5-32545-000 | HARNESS ASSY., SWITCH PANEL | 1 | |
| FOP-6 | 9 | HZZ5-32580-600 | CABLE ASSY., SWITCH PANEL | 1 | (20FT) |
| FOP-6 | | HZZ5-32580-700 | CABLE ASSY., SWITCH PANEL | 1 | (25FT) |
| FOP-6 | | HZZ5-32580-800 | CABLE ASSY., SWITCH PANEL | 1 | (30FT) |
| FOP-6 | 10 | HZV5-32823-003 | PLUG, INNER CONNECTOR | 8 | |
| FOP-6 | 11 | HZV5-32824-003 | PLUG, OUTER CONNECTOR | 3 | |
| FOP-6 | 12 | H952-32901-770 | TIE, CABLE(NATURAL)(2.4X92) | 6 | |
| FOP-6 | 13 | HZZ3-35100-R11 | SWITCH ASSY., COMBINATION | 1 | |
| FOP-6 | 14 | HZV5-36180-033 | SWITCH ASSY., EMERGENCY STOP | 1 | |
| FOP-6 | 15 | HZV4-36182-651 | CORD COMP., EMERGENCY | 1 | |
| FOP-6 | 16 | HZV4-36187-652 | CLIP, EMERGENCY LOCK | 1 | |
| FOP-6 | 17 | HZZ3-37205-R01 | PANEL ASSY., INDICATOR(4-LED) | 1 | |
| FOP-6 | 18 | HZZ5-37210-762 | LAMP ASSY., INDICATION(4-LED) | 1 | |
| FOP-6 | 19 | H341-38403-672 | PLATE, WINKER BUZZER | 1 | |
| FOP-6 | 20 | HZV5-38410-003 | BUZZER COMP., WARNING | 1 | |



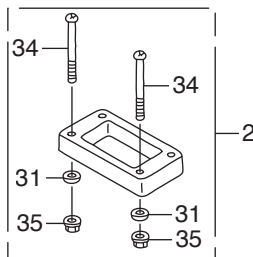
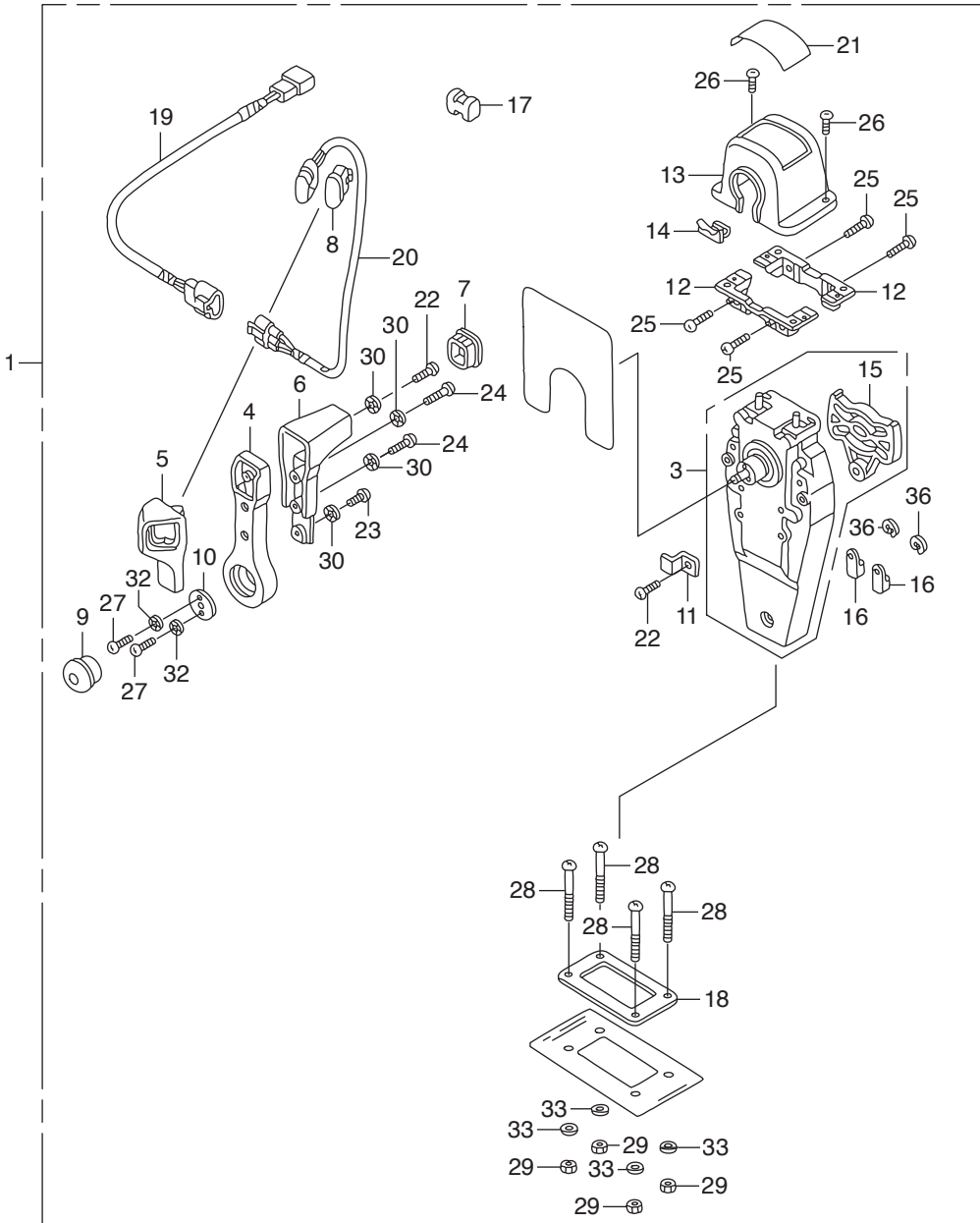


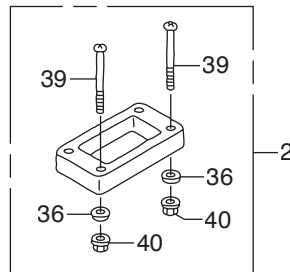
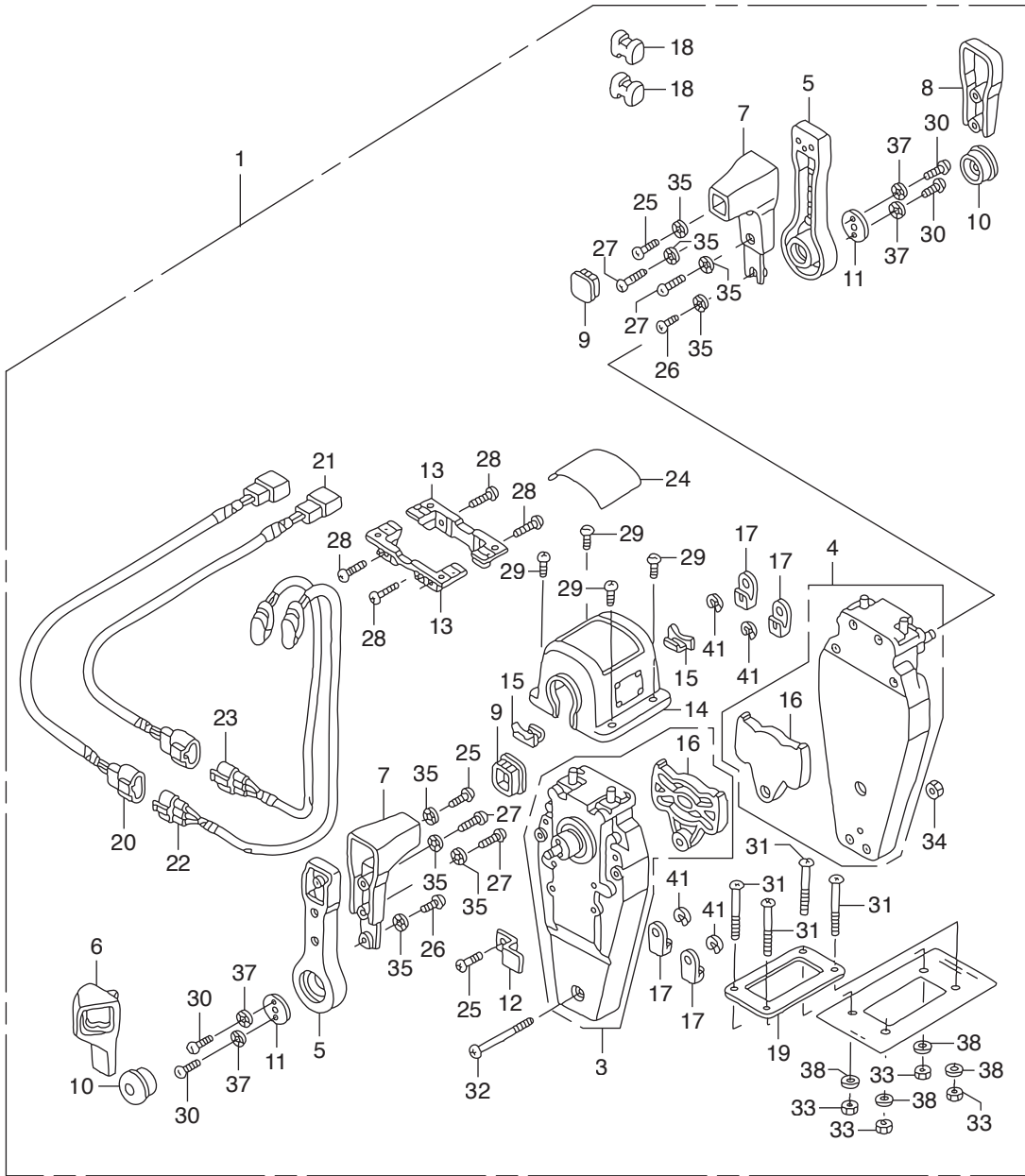
| Ref.No. | Part No. | Description | Q' ty | Remarks | |
|---------|----------|-----------------|-------------------------------|---------|---------|
| | | | BFT150A | | |
| FOP-6-1 | 1 | HZZ3-06323-R10 | PANEL KIT, SWITCH(4-LED) | 1 | LU,XU |
| FOP-6-1 | | HZZ3-06323-R30 | PANEL KIT, SWITCH(4-LED) | 1 | XD |
| FOP-6-1 | 2 | HMT8-18334-770 | NUT, FLANGE, 5MM | 4 | |
| FOP-6-1 | 3 | HZZ3-32346-R11 | PANEL, CONTROL | 1 | LU,XU |
| FOP-6-1 | | HZZ3-32346-R31 | PANEL, CONTROL | 1 | XD |
| FOP-6-1 | 4 | HZZ5-32545-000 | HARNESS ASSY., SWITCH PANEL | 1 | |
| FOP-6-1 | 5 | HZV5-32823-003 | PLUG, INNER CONNECTOR | 8 | |
| FOP-6-1 | 6 | HZV5-32824-003 | PLUG, OUTER CONNECTOR | 3 | |
| FOP-6-1 | 7 | HZZ3-35100-R11 | SWITCH ASSY., COMBINATION | 1 | |
| FOP-6-1 | 8 | HZV5-36180-033 | SWITCH ASSY., EMERGENCY STOP | 1 | |
| FOP-6-1 | 9 | HZV4-36182-651 | CORD COMP., EMERGENCY | 1 | |
| FOP-6-1 | 10 | HZV4-36187-652 | CLIP, EMERGENCY LOCK | 1 | |
| FOP-6-1 | 11 | HZZ5-37210-712 | LAMP ASSY., INDICATION(4-LED) | 1 | |
| FOP-6-1 | 12 | H341-38403-672 | PLATE, WINKER BUZZER | 1 | |
| FOP-6-1 | 13 | HZV5-38410-003 | BUZZER COMP., WARNING | 1 | |
| FOP-6-1 | 14 | HZZ5-38414-003 | BRACKET, BUZZER | 1 | |
| FOP-6-1 | 15 | HZW5-90109-000 | SCREW, PAN, 5X40 | 4 | |
| FOP-6-1 | 16 | H921-90302-000 | NUT, HEX., 16MM | 1 | |
| FOP-6-1 | 17 | HSC2-90649-003 | BAND, WIRE HARNESS(NATURAL) | 1 | (150MM) |
| FOP-6-1 | 18 | HCO-94103-05400 | WASHER, PLAIN, 5MM | 4 | |
| FOP-6-1 | 19 | HCO-94111-05400 | WASHER, SPRING, 5MM | 4 | |
| | | | | | |
| | | | | | |
| | | | | | |
| | | | | | |
| | | | | | |
| | | | | | |
| | | | | | |
| | | | | | |
| | | | | | |
| | | | | | |



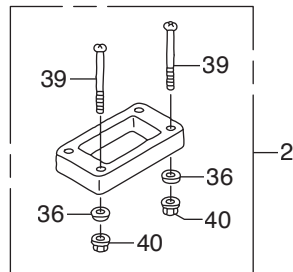
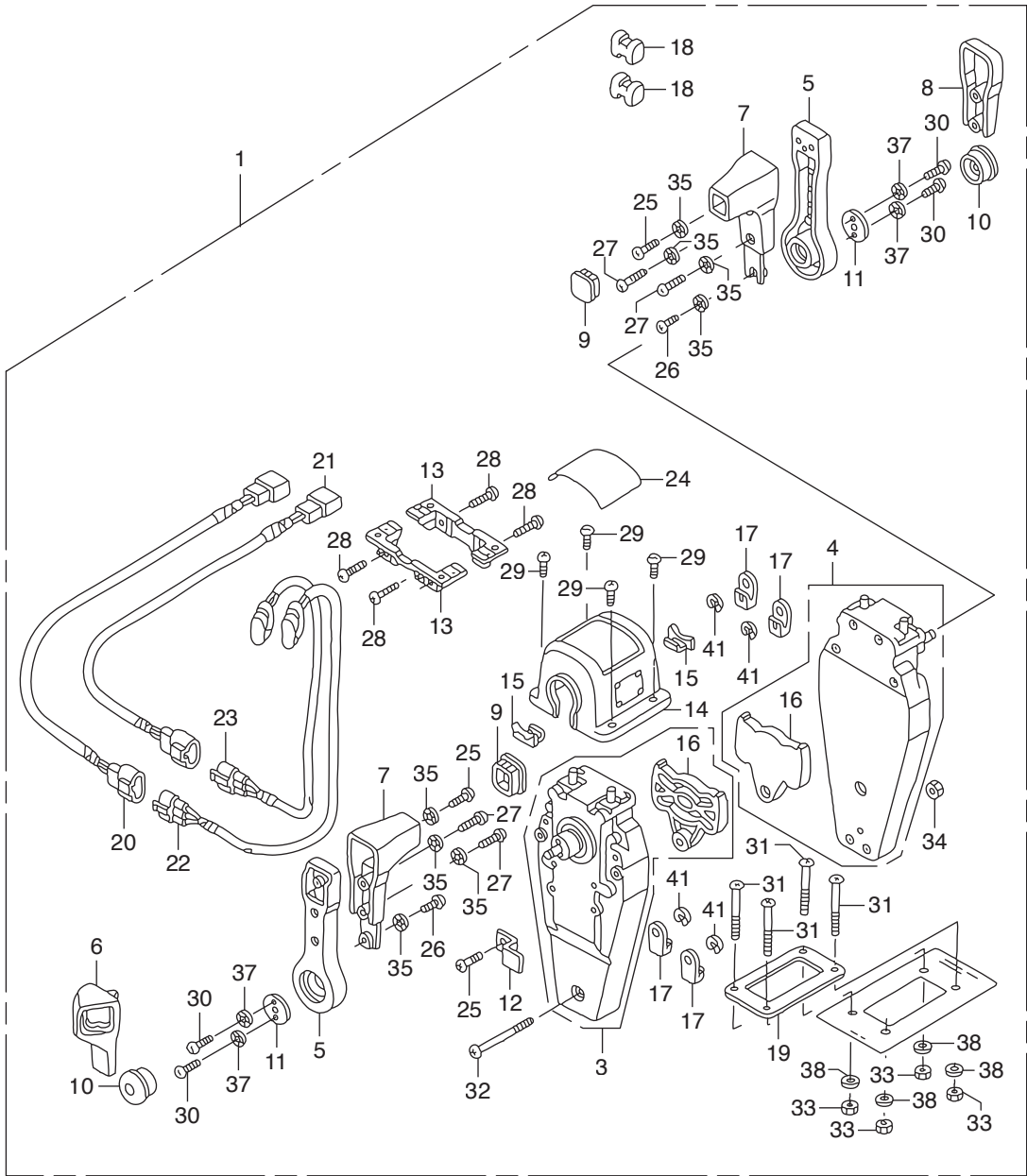


| Ref.No. | Part No. | Description | Q' ty | Remarks | |
|---------|----------|----------------|--------------------------------|---------|------------------------|
| | | | BFT150A | | |
| FOP-8 | 1 | HZZ3-06240-R30 | BOX KIT, REMOTE CONTROL | 1 | (TOP MOUNT SINGLE)(R.) |
| FOP-8 | 2 | HZW5-06241-U00 | SPACER KIT, REMOTE CONTROL BOX | 1 | (TOP MOUNT SINGLE) |
| FOP-8 | 3 | HZW5-24810-U01 | HOUSING ASSY., L. INNER | 1 | (TOP MOUNT) |
| FOP-8 | 4 | HZW5-24811-U01 | HANDLE, REMOTE CONTROL | 1 | |
| FOP-8 | 5 | HZW5-24812-U01 | COVER, L. GRIP | 1 | |
| FOP-8 | 6 | HZW5-24813-U01 | GRIP, REMOTE CONTROL HANDLE | 1 | |
| FOP-8 | 7 | HZW5-24814-U01 | CAP, GRIP | 1 | |
| FOP-8 | 8 | HZW5-24815-U01 | CAP, SWITCH | 1 | |
| FOP-8 | 9 | HZW5-24816-U01 | BUTTON, THROTTLE | 1 | |
| FOP-8 | 10 | HZW5-24817-U01 | PLATE, HANDLE | 1 | |
| FOP-8 | 11 | HZW5-24818-U01 | PLATE, CABLE CLAMP | 1 | |
| FOP-8 | 12 | HZW5-24819-U01 | BRACKET, REMOTE CONTROL | 2 | HOUSING |
| FOP-8 | 13 | HZZ3-24820-R11 | HOUSING COMP., REMOTE CONTROL | 1 | BOX |
| FOP-8 | 14 | HZW5-24825-U01 | HOUSING, LEAD | 1 | |
| FOP-8 | 15 | HZW5-24826-U01 | PLATE, DWELL | 1 | |
| FOP-8 | 16 | HZW5-24831-U01 | TERMINAL, CABLE | 2 | |
| FOP-8 | 17 | HZW5-24832-U01 | SPACER, CABLE CLAMP | 1 | |
| FOP-8 | 18 | HZW5-24834-U01 | PACKING, SINGLE | 1 | |
| FOP-8 | 19 | HZW7-32530-U00 | SUB HARNESS ASSY., POWER | 1 | TRIM-TILT(A) |
| FOP-8 | 20 | HZW5-35370-U02 | SWITCH ASSY., POWER TRIM-TILT | 1 | (A) |
| FOP-8 | 21 | HZZ3-87703-R81 | MARK, REMOTE CONTROL(SINGLE) | 1 | |
| FOP-8 | 22 | HZW5-90101-U00 | SCREW, PAN, 5X16 | 2 | |
| FOP-8 | 23 | HZW5-90102-U00 | SCREW, PAN, 5X10 | 1 | |
| FOP-8 | 24 | HZW5-90103-U01 | SCREW, PAN, 5X20 | 2 | |
| FOP-8 | 25 | HZW5-90104-U00 | SCREW, PAN, 5X18 | 4 | |
| FOP-8 | 26 | HZW5-90105-U01 | SCREW, PAN, 4X10 | 2 | |
| FOP-8 | 27 | HZW5-90106-U00 | SCREW, PAN, 6X18 | 2 | |
| FOP-8 | 28 | HZW5-90107-U00 | SCREW, PAN, 5X40 | 4 | |
| FOP-8 | 29 | HZW5-90301-U00 | NUT, HEX., 5MM | 4 | |

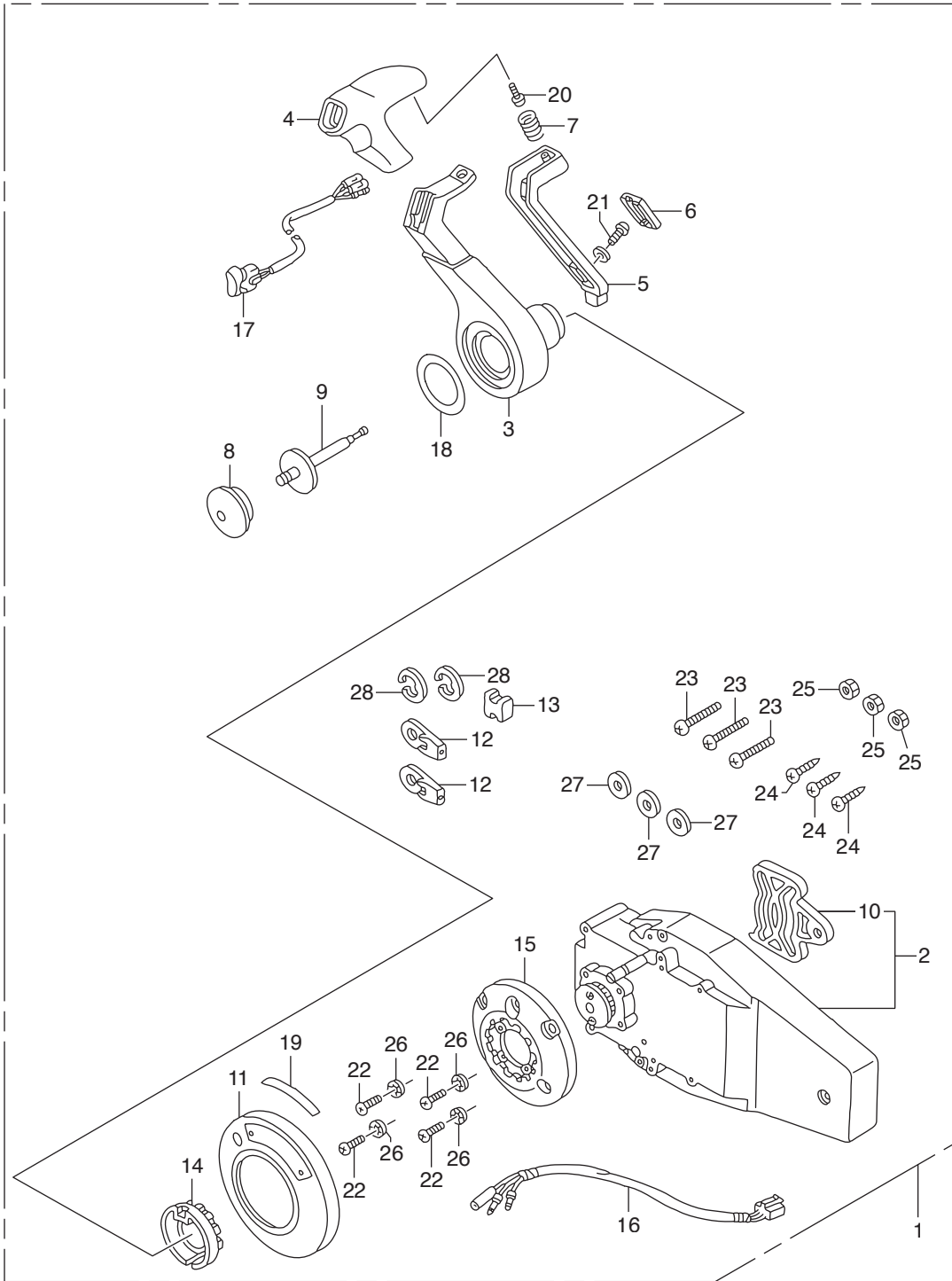




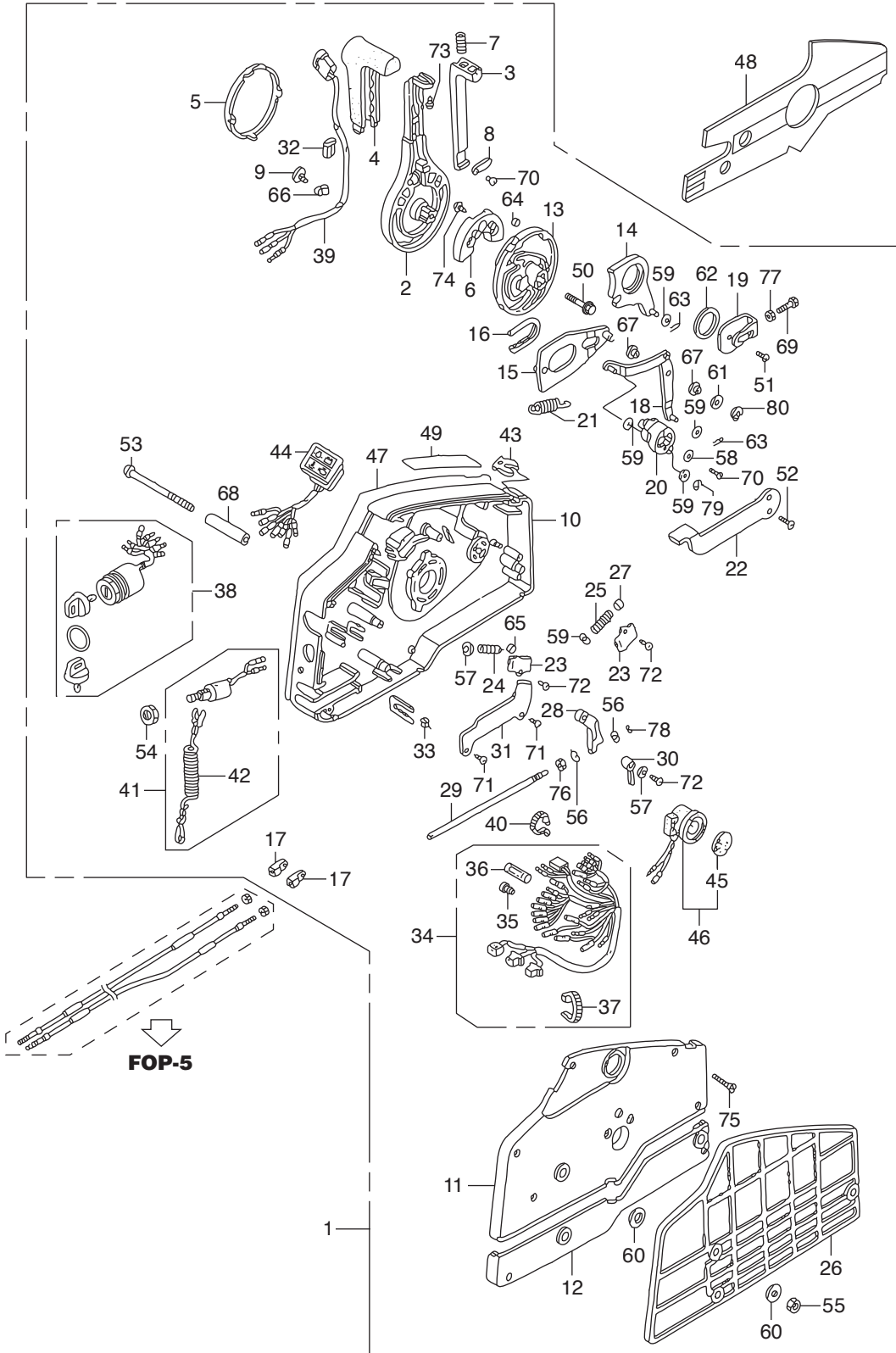
| Ref.No. | Part No. | Description | Q' ty | Remarks | |
|---------|----------|----------------|--------------------------------|---------|----------------------|
| | | | BFT150A | | |
| FOP-8-2 | 1 | HZZ3-06240-R60 | BOX KIT, REMOTE CONTROL | 1 | (TOP MOUNT DUAL)(R.) |
| FOP-8-2 | 2 | HZW5-06241-U10 | SPACER KIT, REMOTE CONTROL BOX | 1 | (TOP MOUNT DUAL) |
| FOP-8-2 | 3 | HZW5-24810-U01 | HOUSING ASSY., L. INNER | 1 | (TOP MOUNT) |
| FOP-8-2 | 4 | HZW5-24810-U11 | HOUSING ASSY., R. INNER | 1 | (TOP MOUNT) |
| FOP-8-2 | 5 | HZW5-24811-U01 | HANDLE, REMOTE CONTROL | 2 | |
| FOP-8-2 | 6 | HZW5-24812-U01 | COVER, L. GRIP | 1 | |
| FOP-8-2 | 7 | HZW5-24813-U01 | GRIP, REMOTE CONTROL HANDLE | 2 | |
| FOP-8-2 | 8 | HZW5-24813-U21 | COVER, DUAL GRIP | 1 | |
| FOP-8-2 | 9 | HZW5-24814-U01 | CAP, GRIP | 2 | |
| FOP-8-2 | 10 | HZW5-24816-U01 | BUTTON, THROTTLE | 2 | |
| FOP-8-2 | 11 | HZW5-24817-U01 | PLATE, HANDLE | 2 | |
| FOP-8-2 | 12 | HZW5-24818-U01 | PLATE, CABLE CLAMP | 1 | |
| FOP-8-2 | 13 | HZW5-24819-U01 | BRACKET, REMOTE CONTROL | 2 | HOUSING |
| FOP-8-2 | 14 | HZZ3-24820-R21 | HOUSING COMP., REMOTE CONTROL | 1 | BOX(DUAL) |
| FOP-8-2 | 15 | HZW5-24825-U01 | HOUSING, LEAD | 2 | |
| FOP-8-2 | 16 | HZW5-24826-U01 | PLATE, DWELL | 2 | |
| FOP-8-2 | 17 | HZW5-24831-U01 | TERMINAL, CABLE | 4 | |
| FOP-8-2 | 18 | HZW5-24832-U01 | SPACER, CABLE CLAMP | 2 | |
| FOP-8-2 | 19 | HZW5-24834-U21 | PACKING, DUAL | 1 | |
| FOP-8-2 | 20 | HZW7-32530-U00 | SUB HARNESS ASSY., POWER | 1 | TRIM-TILT(A) |
| FOP-8-2 | 21 | HZW7-32530-U10 | SUB HARNESS ASSY., POWER | 1 | TRIM-TILT(B) |
| FOP-8-2 | 22 | HZW5-35370-U02 | SWITCH ASSY., POWER TRIM-TILT | 1 | (A) |
| FOP-8-2 | 23 | HZW5-35370-U12 | SWITCH ASSY., POWER TRIM-TILT | 1 | (B) |
| FOP-8-2 | 24 | HZZ3-87703-R01 | MARK, REMOTE CONTROL(DUAL) | 1 | |
| FOP-8-2 | 25 | HZW5-90101-U00 | SCREW, PAN, 5X16 | 3 | |
| FOP-8-2 | 26 | HZW5-90102-U00 | SCREW, PAN, 5X10 | 2 | |
| FOP-8-2 | 27 | HZW5-90103-U01 | SCREW, PAN, 5X20 | 4 | |
| FOP-8-2 | 28 | HZW5-90104-U00 | SCREW, PAN, 5X18 | 4 | |
| FOP-8-2 | 29 | HZW5-90105-U01 | SCREW, PAN, 4X10 | 4 | |



| Ref.No. | Part No. | Description | Q' ty | Remarks | |
|---------|----------|--------------------|--------------------|---------|--|
| | | | BFT150A | | |
| FOP-8-2 | 30 | HZW5-90106-U00 | SCREW, PAN, 6X18 | 4 | |
| FOP-8-2 | 31 | HZW5-90107-U00 | SCREW, PAN, 5X40 | 4 | |
| FOP-8-2 | 32 | HZW5-90108-U00 | SCREW, PAN, 5X55 | 1 | |
| FOP-8-2 | 33 | HZW5-90301-U00 | NUT, HEX., 5MM | 4 | |
| FOP-8-2 | 34 | HZW5-90302-U21 | NUT, HEX., 5MM | 1 | |
| FOP-8-2 | 35 | HZW5-90501-U00 | WASHER, LOCK, 5MM | 8 | |
| FOP-8-2 | 36 | HZV4-90502-000 | WASHER, PLAIN, 5MM | 4 | |
| FOP-8-2 | 37 | HZW5-90502-U00 | WASHER, LOCK, 6MM | 4 | |
| FOP-8-2 | 38 | HZW5-90503-U00 | WASHER, PLAIN, 5MM | 4 | |
| FOP-8-2 | 39 | HCO-93500-05065-4J | SCREW, PAN, 5X65 | 4 | |
| FOP-8-2 | 40 | HCO-94001-05490-0S | NUT, HEX., 5MM | 4 | |
| FOP-8-2 | 41 | HCO-94540-06029 | E-RING, 6MM | 4 | |
| | | | | | |
| | | | | | |
| | | | | | |
| | | | | | |
| | | | | | |
| | | | | | |
| | | | | | |
| | | | | | |
| | | | | | |
| | | | | | |
| | | | | | |
| | | | | | |
| | | | | | |
| | | | | | |
| | | | | | |
| | | | | | |
| | | | | | |
| | | | | | |
| | | | | | |
| | | | | | |
| | | | | | |
| | | | | | |
| | | | | | |
| | | | | | |

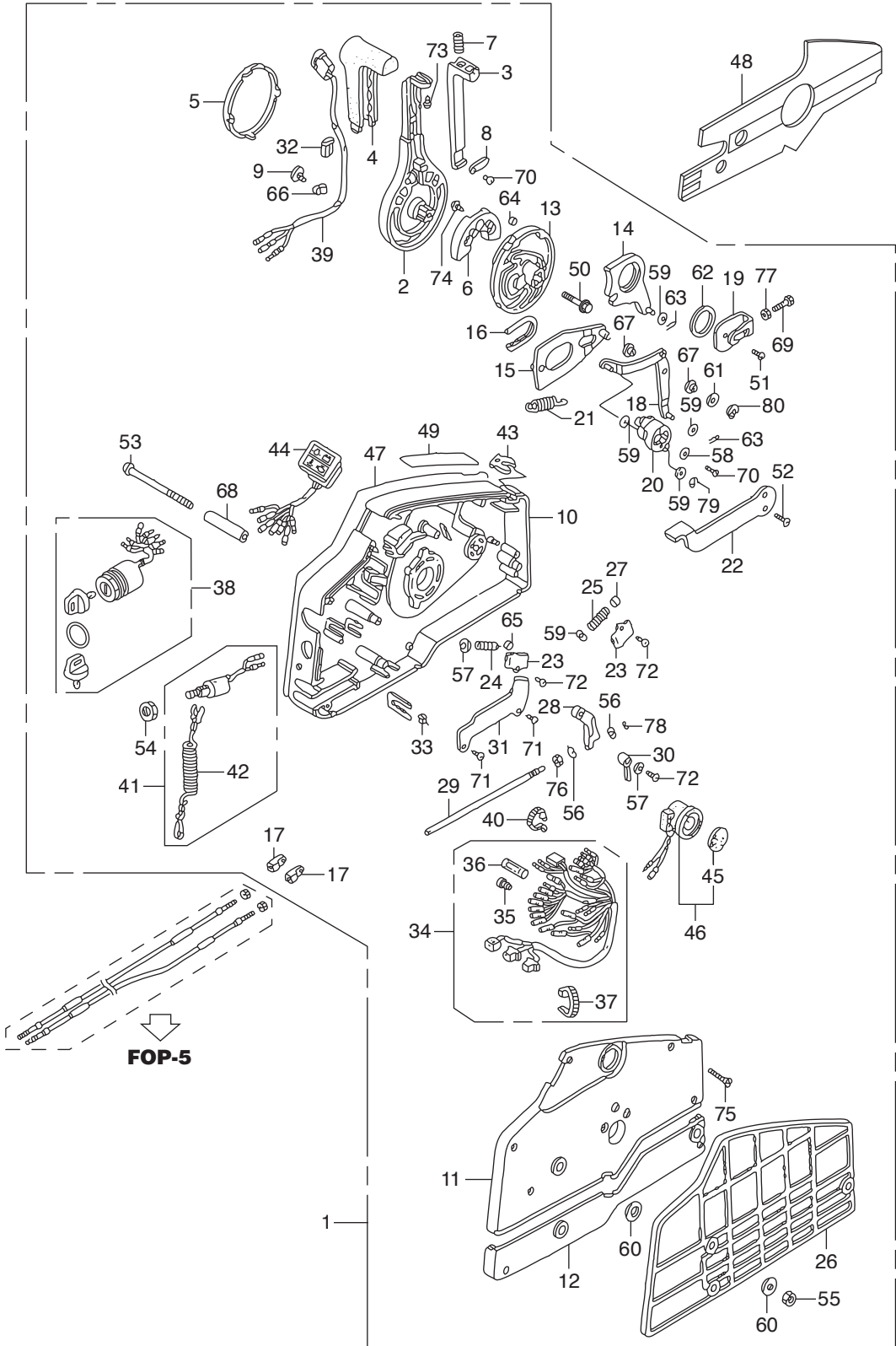


| Ref.No. | Part No. | Description | Q' ty | Remarks | |
|---------|----------|-----------------|-------------------------------|---------|-------------------|
| | | | BFT150A | | |
| FOP-8-4 | 1 | HZZ3-06240-R40 | BOX KIT, REMOTE CONTROL | 1 | (FLUSH MOUNT)(R.) |
| FOP-8-4 | 2 | HZW7-24810-U01 | HOUSING ASSY., R. INNER | 1 | (FLUSH MOUNT) |
| FOP-8-4 | 3 | HZW7-24811-U01 | HANDLE, REMOTE CONTROL | 1 | |
| FOP-8-4 | 4 | HZW7-24812-U01 | COVER, GRIP | 1 | |
| FOP-8-4 | 5 | HZW7-24813-U01 | ARM, NEUTRAL LOCK | 1 | |
| FOP-8-4 | 6 | HZW7-24814-U01 | COVER, LOCK ARM | 1 | |
| FOP-8-4 | 7 | HZW7-24815-U01 | SPRING, NEUTRAL LOCK ARM | 1 | |
| FOP-8-4 | 8 | HZW5-24816-U01 | BUTTON, THROTTLE | 1 | |
| FOP-8-4 | 9 | HZW7-24817-U01 | SHAFT, THROTTLE BUTTON | 1 | |
| FOP-8-4 | 10 | HZW5-24826-U01 | PLATE, DWELL | 1 | |
| FOP-8-4 | 11 | HZZ3-24830-R41 | COVER ASSY. | 1 | |
| FOP-8-4 | 12 | HZW5-24831-U01 | TERMINAL, CABLE | 2 | |
| FOP-8-4 | 13 | HZW5-24832-U01 | SPACER, CABLE CLAMP | 1 | |
| FOP-8-4 | 14 | HZW7-24832-U01 | HOLDER, NEUTRAL LOCK | 1 | |
| FOP-8-4 | 15 | HZW7-24833-U01 | BASE | 1 | |
| FOP-8-4 | 16 | HZW7-32530-U20 | SUB HARNESS ASSY., POWER | 1 | TRIM-TILT(C) |
| FOP-8-4 | 17 | HZW7-35370-U02 | SWITCH ASSY., POWER TRIM-TILT | 1 | (C) |
| FOP-8-4 | 18 | HZZ3-87701-R40 | MARK, HANDLE FLUSH MOUNT | 1 | |
| FOP-8-4 | 19 | HZW7-87703-U00 | MARK, FLUSH MOUNT | 1 | |
| FOP-8-4 | 20 | HZW5-90101-U00 | SCREW, PAN, 5X16 | 1 | |
| FOP-8-4 | 21 | HZW7-90101-U01 | SCREW, TRUSS, 4X12 | 1 | |
| FOP-8-4 | 22 | HZW7-90102-U01 | SCREW, PAN, 5X30 | 4 | |
| FOP-8-4 | 23 | HZW7-90103-U01 | SCREW, PAN, 6X35 | 3 | |
| FOP-8-4 | 24 | HZW7-90104-U01 | SCREW, TAPPING, 6X30 | 3 | |
| FOP-8-4 | 25 | HZW7-90301-U01 | NUT, HEX., 6MM | 3 | |
| FOP-8-4 | 26 | HZW5-90501-U00 | WASHER, LOCK, 5MM | 4 | |
| FOP-8-4 | 27 | HZW7-90502-U00 | WASHER, PLAIN, 6MM | 3 | |
| FOP-8-4 | 28 | HCO-94540-06029 | E-RING, 6MM | 2 | |
| | | | | | |



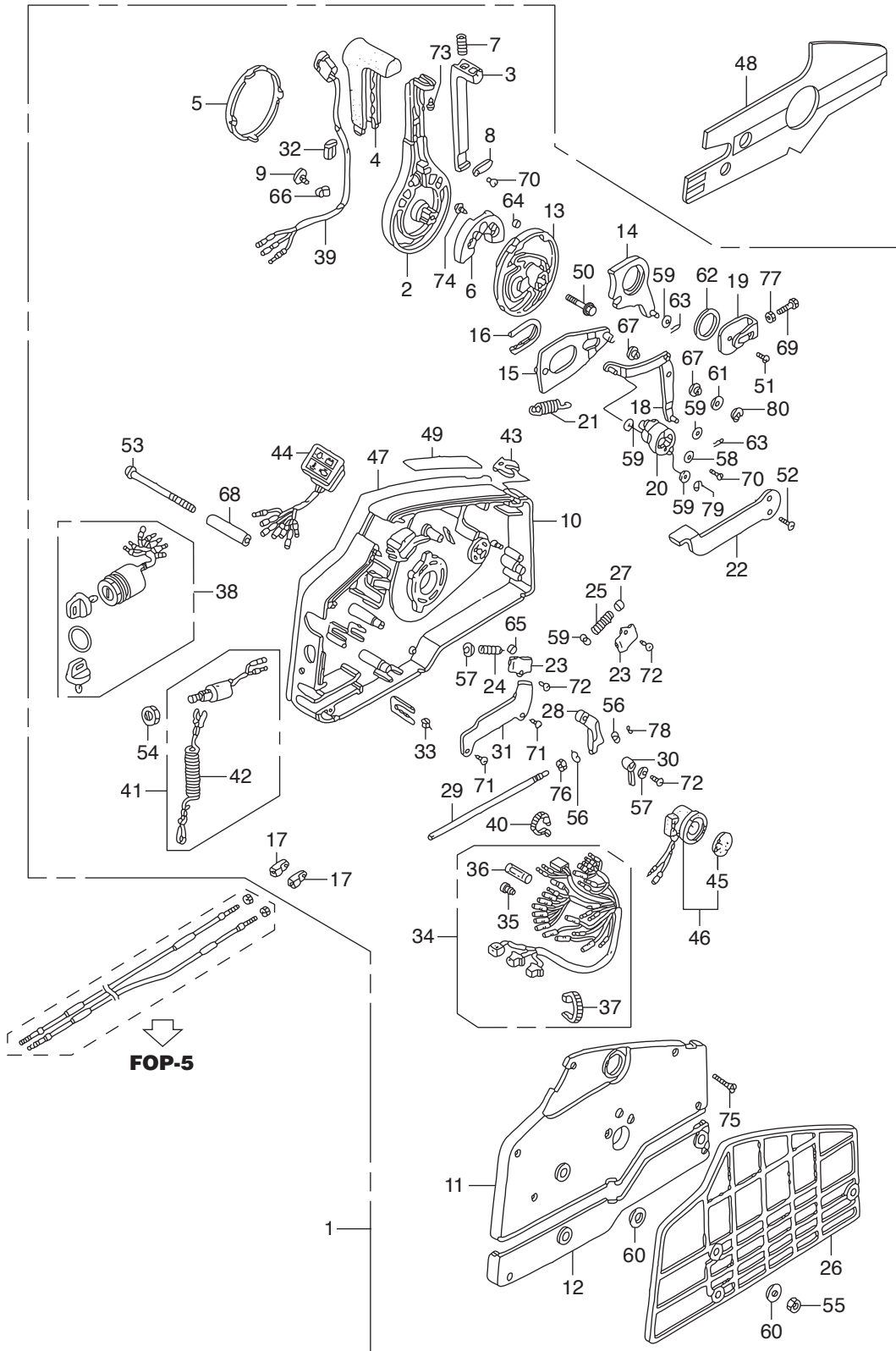
FOP-5

| Ref.No. | Part No. | Description | Q' ty | Remarks | |
|---------|----------|----------------|--------------------------------|---------|--------|
| | | | BFT150A | | |
| FOP-8-6 | 1 | HZZ3-24800-R50 | BOX ASSY., REMOTE CONTROL(EU) | 1 | LU,XU |
| FOP-8-6 | | HZZ3-24800-R00 | BOX ASSY.REMOTE CONTROL | 1 | XD |
| FOP-8-6 | 2 | HZV5-24811-010 | HANDLE, REMOTE CONTROL | 1 | |
| FOP-8-6 | 3 | HZV5-24812-000 | LEVER, HANDLE LOCK | 1 | |
| FOP-8-6 | 4 | HZV5-24813-000 | GRIP, REMOTE CONTROL HANDLE | 1 | |
| FOP-8-6 | 5 | HZV5-24814-010 | CAP, HANDLE | 1 | |
| FOP-8-6 | 6 | HZV5-24815-010 | BLOCK, NEUTRAL LOCK | 1 | |
| FOP-8-6 | 7 | HZV5-24816-000 | SPRING, REMOTE CONTROL HANDLE | 1 | |
| FOP-8-6 | 8 | HZV5-24817-000 | PLATE, LEVER SETTING | 1 | |
| FOP-8-6 | 9 | HZV5-24818-003 | CLAMP, HARNESS | 1 | |
| FOP-8-6 | 10 | HZV5-24820-010 | HOUSING COMP., REMOTE CONTROL | 1 | BOX(A) |
| FOP-8-6 | 11 | HZV5-24830-010 | HOUSING COMP., REMOTE CONTROL | 1 | BOX(B) |
| FOP-8-6 | 12 | HZV5-24836-000 | HOUSING, REMOTE CONTROL BOX(C) | 1 | |
| FOP-8-6 | 13 | HZV5-24841-000 | WHEEL, CONTROL | 1 | |
| FOP-8-6 | 14 | HZV5-24845-000 | ARM COMP., SHIFT LINK | 1 | |
| FOP-8-6 | 15 | HZV5-24850-000 | PLATE COMP., SLIDING | 1 | |
| FOP-8-6 | 16 | HZV5-24854-000 | COLLAR, SLIDING PLATE | 1 | |
| FOP-8-6 | 17 | HZV5-24855-000 | PIVOT, SHIFT | 2 | |
| FOP-8-6 | 18 | HZV5-24860-000 | ARM COMP., LINK JOINT | 1 | |
| FOP-8-6 | 19 | HZV5-24865-000 | BRACKET, LINK JOINT | 1 | |
| FOP-8-6 | 20 | HZV5-24875-000 | WHEEL, ACCELERATOR | 1 | |
| FOP-8-6 | 21 | HZV5-24876-000 | SPRING, ACCELERATOR WHEEL | 1 | |
| FOP-8-6 | 22 | HZV5-24878-000 | LEVER, IDLE | 1 | |
| FOP-8-6 | 23 | HZV5-24881-000 | PLATE, SPRING SETTING | 2 | |
| FOP-8-6 | 24 | HZV5-24883-000 | SPRING, SHIFT CLICK | 1 | |
| FOP-8-6 | 25 | HZV5-24884-000 | SPRING, CHOKE RETURN | 1 | |
| FOP-8-6 | 26 | HZV5-24885-000 | SPACER, REMOTE CONTROL BOX | 1 | |
| FOP-8-6 | 27 | HZV5-24887-000 | SPACER, CLICK SPRING | 1 | |
| FOP-8-6 | 28 | HZV5-24891-000 | BLOCK, THROTTLE FRICTION | 1 | |

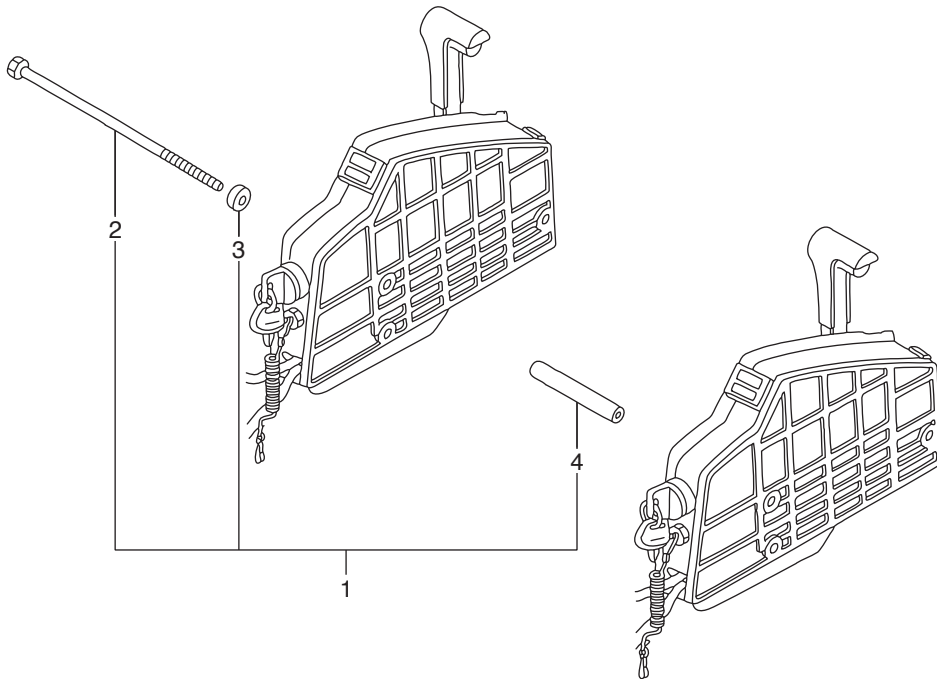


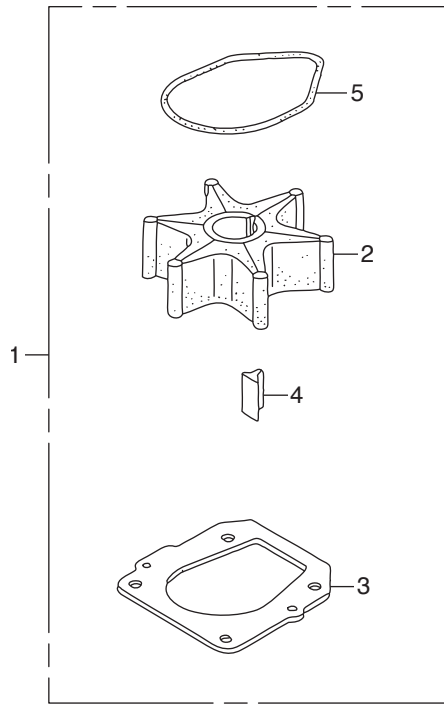
FOP-5

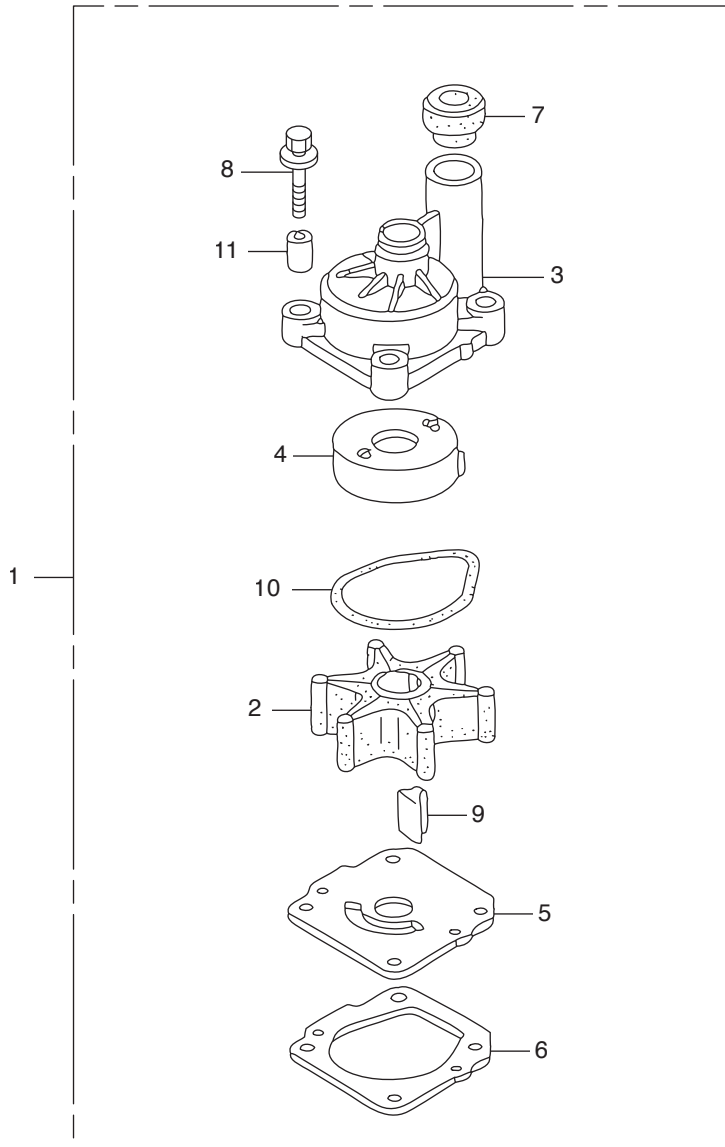
| Ref.No. | Part No. | Description | Q' ty | Remarks | |
|---------|----------|----------------|--------------------------------|---------|-------|
| | | | BFT150A | | |
| FOP-8-6 | 29 | HZV5-24892-000 | BOLT, FRICTION | 1 | |
| FOP-8-6 | 30 | HZV5-24894-000 | SPACER, NEUTRAL SWITCH | 1 | |
| FOP-8-6 | 31 | HZV5-24895-000 | CLAMP, POWER TILT CORD | 1 | |
| FOP-8-6 | 32 | HZV5-24897-000 | PIPE, HARNESS GUIDE | 1 | |
| FOP-8-6 | 33 | HZV5-24898-000 | SPACER, CABLE CLAMP | 1 | |
| FOP-8-6 | 34 | HZZ5-32530-000 | CABLE ASSY., REMOTE CONTROL(B) | 1 | |
| FOP-8-6 | 35 | HZV5-32823-003 | PLUG, INNER CONNECTOR | 7 | |
| FOP-8-6 | 36 | HZV5-32824-003 | PLUG, OUTER CONNECTOR | 1 | |
| FOP-8-6 | 37 | H952-32901-770 | TIE, CABLE(NATURAL)(2.4X92) | 1 | |
| FOP-8-6 | 38 | HZZ3-35100-R11 | SWITCH ASSY., COMBINATION | 1 | |
| FOP-8-6 | 39 | HZV5-35370-823 | SWITCH ASSY., POWER TRIM-TILT | 1 | |
| FOP-8-6 | 40 | HMG9-35701-950 | BAND(BLACK 3.5X140) | 1 | |
| FOP-8-6 | 41 | HZV5-36180-033 | SWITCH ASSY., EMERGENCY STOP | 1 | |
| FOP-8-6 | 42 | HZV4-36182-651 | CORD COMP., EMERGENCY | 1 | |
| FOP-8-6 | 43 | HZV4-36187-652 | CLIP, EMERGENCY LOCK | 1 | |
| FOP-8-6 | 44 | HZZ5-37210-013 | LAMP ASSY., INDICATION | 1 | |
| FOP-8-6 | 45 | H341-38403-672 | PLATE, WINKER BUZZER | 1 | |
| FOP-8-6 | 46 | HZV5-38410-003 | BUZZER COMP., WARNING | 1 | |
| FOP-8-6 | 47 | HZZ3-87701-R50 | PLATE, REMOTE CONTROL(EU) | 1 | LU,XU |
| FOP-8-6 | | HZZ3-87701-R00 | PLATE, REMOTE CONTROL | 1 | XD |
| FOP-8-6 | 48 | HZZ5-87701-790 | PLATE, REMOTE CONTROL(REVERSE) | 1 | |
| FOP-8-6 | 49 | HZW9-87702-800 | MARK, FAST IDLE | 1 | |
| FOP-8-6 | 50 | HZW9-90008-000 | BOLT, FLANGE, 8X35 | 1 | |
| FOP-8-6 | 51 | HMM4-90105-000 | SCREW, PAN, 6X10 | 1 | |
| FOP-8-6 | 52 | HZW4-90108-000 | SCREW, FLAT, 5X12 | 2 | |
| FOP-8-6 | 53 | HZV5-90125-000 | SCREW, 6X95 | 3 | |
| FOP-8-6 | 54 | H921-90302-000 | NUT, HEX., 16MM | 1 | |
| FOP-8-6 | 55 | HZV4-90304-000 | NUT, HEX., 6MM | 3 | |
| FOP-8-6 | 56 | HZW4-90401-000 | WASHER, PLAIN, 4MM | 2 | |

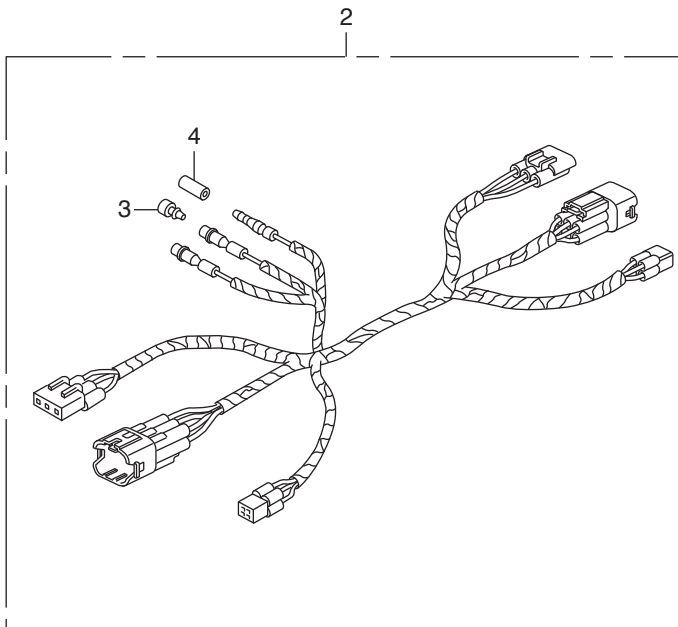
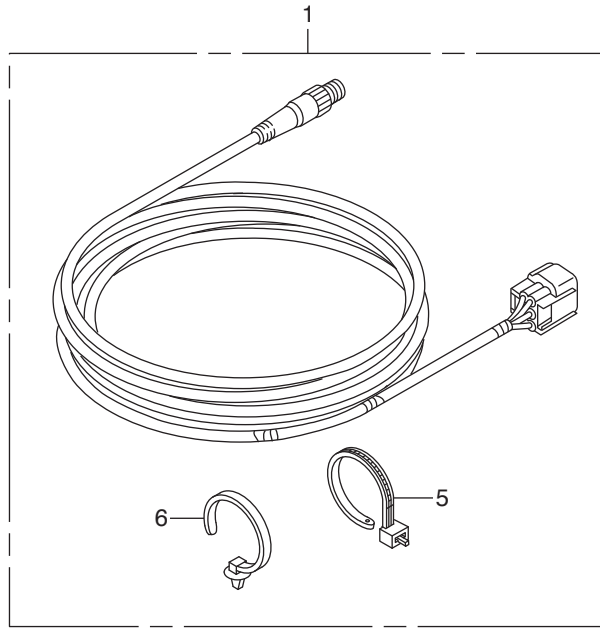


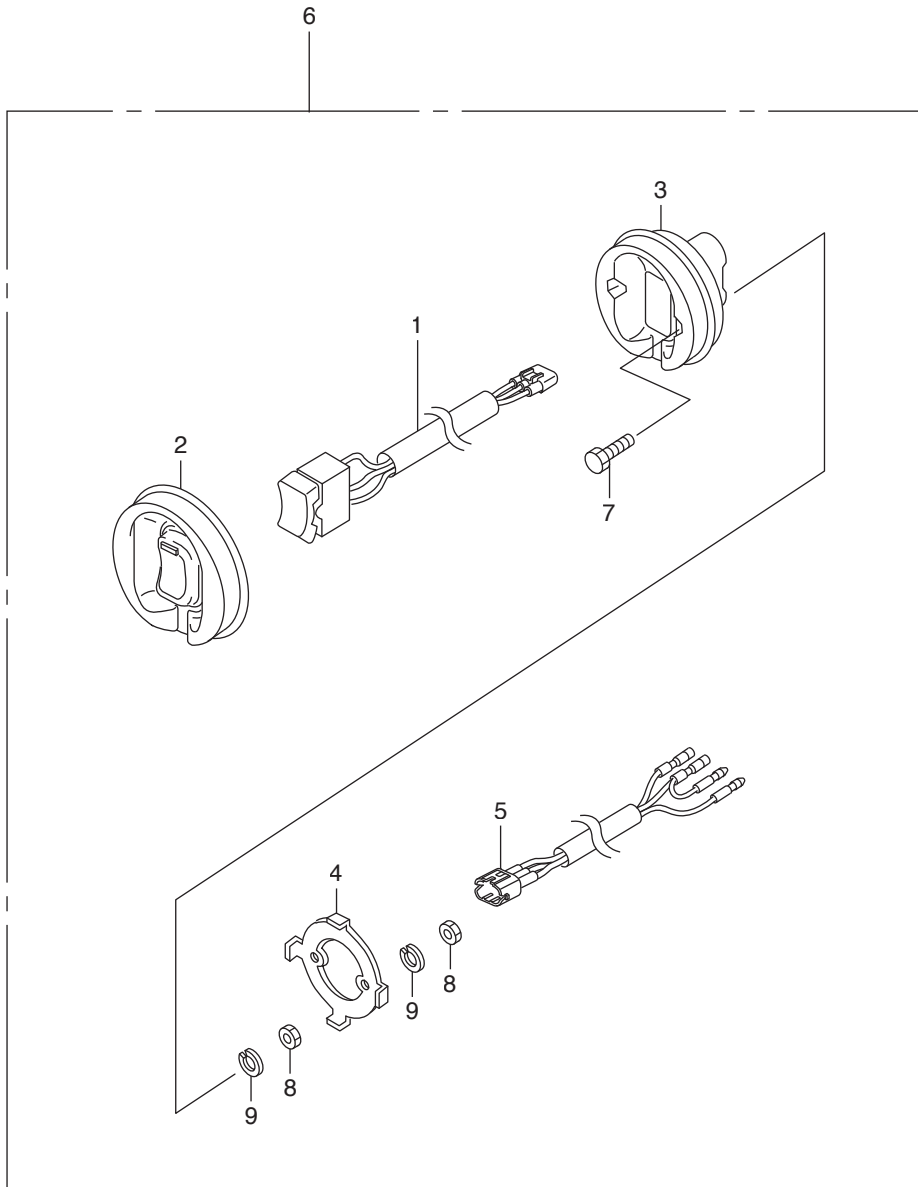
| Ref.No. | Part No. | Description | Q' ty | Remarks | |
|---------|----------|--------------------|-----------------------------|---------|--|
| | | | BFT150A | | |
| FOP-8-6 | 57 | HZW4-90402-000 | WASHER, PLAIN, 5MM | 2 | |
| FOP-8-6 | 58 | HZV4-90502-000 | WASHER, PLAIN, 5MM | 1 | |
| FOP-8-6 | 59 | H921-90504-010 | WASHER, PLAIN, 6MM | 5 | |
| FOP-8-6 | 60 | H921-90512-010 | WASHER, 6MM | 6 | |
| FOP-8-6 | 61 | H921-90518-000 | WASHER, PLAIN, 8MM | 1 | |
| FOP-8-6 | 62 | HZV5-90557-000 | WASHER, 28MM | 1 | |
| FOP-8-6 | 63 | HZV5-90751-000 | PIN, LOCK, 6MM | 2 | |
| FOP-8-6 | 64 | HZV5-90772-000 | PIN, 6X6 | 1 | |
| FOP-8-6 | 65 | HZV5-91151-000 | ROLLER, CLICK | 1 | |
| FOP-8-6 | 66 | HSB6-91475-000 | CLIP, WIRE HARNESS(6.3MM) | 1 | |
| FOP-8-6 | 67 | HZV5-91567-000 | COLLAR, LINK JOINT | 2 | |
| FOP-8-6 | 68 | HZV5-91570-000 | COLLAR, DISTANCE, 6X10X43.5 | 3 | |
| FOP-8-6 | 69 | HCO-92101-05016-4J | BOLT, HEX., 5X16 | 1 | |
| FOP-8-6 | 70 | HCO-93500-05010-4J | SCREW, PAN, 5X10 | 2 | |
| FOP-8-6 | 71 | HCO-93901-250J0 | SCREW, TAPPING, 5X8 | 2 | |
| FOP-8-6 | 72 | HCO-93901-251J0 | SCREW, TAPPING, 5X10 | 3 | |
| FOP-8-6 | 73 | HCO-93901-252J0 | SCREW, TAPPING, 5X12 | 1 | |
| FOP-8-6 | 74 | HCO-93903-262J0 | SCREW, TAPPING, 6X16 | 2 | |
| FOP-8-6 | 75 | HCO-93905-255J0 | SCREW, TAPPING, 5X25 | 7 | |
| FOP-8-6 | 76 | HCO-94001-06490-0S | NUT, HEX., 6MM | 1 | |
| FOP-8-6 | 77 | HCO-94002-05490-0S | NUT, HEX., 5MM | 1 | |
| FOP-8-6 | 78 | HCO-94540-03029 | E-RING, 3MM | 1 | |
| FOP-8-6 | 79 | HCO-94540-04029 | E-RING, 4MM | 1 | |
| FOP-8-6 | 80 | HCO-94540-07029 | E-RING, 7MM | 1 | |
| | | | | | |
| | | | | | |
| | | | | | |
| | | | | | |
| | | | | | |
| | | | | | |
| | | | | | |
| | | | | | |











INDEX

| | | | |
|--------------------------------------|------------|---------------------------------|------------|
| <A> | | | |
| ARM ASSY., EX. ROCKER..... | E-9-16 | BOLT, DRAIN PLUG | F-3-14 |
| ARM ASSY., ROCKER | E-9-14 | BOLT, FLANGE, 10X105 | E-10-18 |
| ARM COMP., CAM CHAIN TENSIONER | E-9-11 | BOLT, FLANGE, 10X110 | E-6-54 |
| ARM COMP., CLICK..... | F-2-8 | BOLT, FLANGE, 10X32 | E-9-31 |
| ARM COMP., LINK JOINT | FOP-8-6-18 | BOLT, FLANGE, 10X40 | E-6-25 |
| ARM COMP., SHIFT LINK..... | FOP-8-6-14 | BOLT, FLANGE, 10X40 | F-3-20-9 |
| ARM, NEUTRAL LOCK | FOP-8-4-5 | BOLT, FLANGE, 10X40 | F-5-12 |
| ARM, SHIFT..... | F-2-13 | BOLT, FLANGE, 10X43 | E-9-10-19 |
| ARM, THROTTLE | F-2-6 | BOLT, FLANGE, 10X45 | E-4-11 |
| ARMATURE COMP..... | F-11-5 | BOLT, FLANGE, 10X70 | E-3-27 |
| | | BOLT, FLANGE, 10X70 | E-9-10-21 |
| BAG, TOOL, 230MM..... | F-13-12 | BOLT, FLANGE, 10X75 | E-4-8 |
| BALL, STEEL | E-21-6 | BOLT, FLANGE, 10X80 | E-6-29 |
| BALL, STEEL, #7(7/32) | F-5-29 | BOLT, FLANGE, 10X80 | E-19-28 |
| BALL, STEEL, #9(9/32) | F-5-30 | BOLT, FLANGE, 10X90 | E-21-21 |
| BAND | E-18-10-44 | BOLT, FLANGE, 12MM..... | E-5-15 |
| BAND(BLACK 3.5X140) | F-8-10-1 | BOLT, FLANGE, 12X47 | E-9-30 |
| BAND(BLACK 3.5X140)..... | FOP-8-6-40 | BOLT, FLANGE, 12X83 | E-3-19 |
| BAND, AIR FLOW | E-15-4 | BOLT, FLANGE, 5X12 | E-14-28 |
| BAND, HARNESS..... | E-14-34 | BOLT, FLANGE, 6X10 | E-14-25 |
| BAND, HARNESS OFFSET(10) | F-7-30-2 | BOLT, FLANGE, 6X12 | E-6-35 |
| BAND, TUBE CLIP, 12.5MM | F-9-16 | BOLT, FLANGE, 6X12 | E-6-36 |
| BAND, UNDER CASE GROMMET | F-8-10-4 | BOLT, FLANGE, 6X12 | E-15-19 |
| BAND, WIRE | F-3-2 | BOLT, FLANGE, 6X12 | F-2-30 |
| BAND, WIRE | F-7-2 | BOLT, FLANGE, 6X12 | F-3-20-10 |
| BAND, WIRE | F-10-7 | BOLT, FLANGE, 6X12 | F-7-4 |
| BAND, WIRE HARNESS | F-7-10-15 | BOLT, FLANGE, 6X12 | F-7-10-10 |
| BAND, WIRE HARNESS(NATURAL) | FOP-6-24 | BOLT, FLANGE, 6X12 | F-7-20-7 |
| BAND, WIRE HARNESS(NATURAL) | FOP-6-1-17 | BOLT, FLANGE, 6X14 | E-4-9 |
| BASE | FOP-8-4-15 | BOLT, FLANGE, 6X14 | E-9-10-17 |
| BASE, INJECTOR | E-14-10 | BOLT, FLANGE, 6X14 | E-9-20-22 |
| BEARING A, CONNECTING ROD | E-7-7 | BOLT, FLANGE, 6X14 | E-10-15 |
| BEARING A, MAIN LOWER(BLUE) | E-7-11 | BOLT, FLANGE, 6X14 | E-14-24 |
| BEARING A, MAIN UPPER(BLUE) | E-7-9 | BOLT, FLANGE, 6X14 | E-18-1-13 |
| BEARING B, CONNECTING ROD | E-7 | BOLT, FLANGE, 6X14 | F-2-28 |
| BEARING B, MAIN LOWER(BLACK) | E-7 | BOLT, FLANGE, 6X14(CT200) | E-3-21 |
| BEARING B, MAIN UPPER(BLACK) | E-7 | BOLT, FLANGE, 6X14(CT200) | E-9-10-14 |
| BEARING C, CONNECTING ROD | E-7 | BOLT, FLANGE, 6X14(CT200) | F-7-10-9 |
| BEARING C, MAIN LOWER(BROWN) | E-7 | BOLT, FLANGE, 6X16 | E-9-10-16 |
| BEARING C, MAIN UPPER(BROWN) | E-7 | BOLT, FLANGE, 6X16 | E-9-20-20 |
| BEARING D, CONNECTING ROD | E-7 | BOLT, FLANGE, 6X16 | E-18-10-48 |
| BEARING D, MAIN LOWER(GREEN) | E-7 | BOLT, FLANGE, 6X16 | E-19-24 |
| BEARING D, MAIN UPPER(GREEN) | E-7 | BOLT, FLANGE, 6X16 | F-2-27 |
| BEARING E, CONNECTING ROD | E-7 | BOLT, FLANGE, 6X18 | E-6-53 |
| BEARING E, MAIN LOWER(YELLOW) | E-7 | BOLT, FLANGE, 6X18 | F-2-29 |
| BEARING E, MAIN UPPER(YELLOW) | E-7 | BOLT, FLANGE, 6X20 | E-5-18 |
| BEARING F, CONNECTING ROD | E-7 | BOLT, FLANGE, 6X20 | E-6-28 |
| BEARING F, MAIN LOWER(PINK) | E-7 | BOLT, FLANGE, 6X20 | E-9-36 |
| BEARING F, MAIN UPPER(PINK) | E-7 | BOLT, FLANGE, 6X20 | E-9-20-21 |
| BEARING G, CONNECTING ROD(RED) | E-7 | BOLT, FLANGE, 6X20 | E-9-20-29 |
| BEARING, FR | E-19-4 | BOLT, FLANGE, 6X20 | E-20-10-5 |
| BEARING, NEEDLE(25X32X26) | F-5-24 | BOLT, FLANGE, 6X20 | F-2-31 |
| BEARING, NEEDLE, 20X28X13 | E-6-42 | BOLT, FLANGE, 6X20 | F-4-18 |
| BEARING, NEEDLE, 30X37X26 | F-5-20 | BOLT, FLANGE, 6X20 | F-7-20-8 |
| BEARING, RADIAL BALL, 50X90X20 | F-5-23 | BOLT, FLANGE, 6X20 | F-10-34 |
| BEARING, RR | E-19-3 | BOLT, FLANGE, 6X22 | E-4-10 |
| BEARING, TAPER ROLLER | F-4-27 | BOLT, FLANGE, 6X22 | E-6-32 |
| BEARING, TAPER, 50X90X28 | F-5-22 | BOLT, FLANGE, 6X22 | F-7-10-11 |
| BEARING, THRUST(F) | F-5-21 | BOLT, FLANGE, 6X22 | F-8-10-23 |
| BELT, A.C. GENERATOR(4PK810) | E-13-3 | BOLT, FLANGE, 6X23 | F-10-30 |
| BLOCK ASSY., CYLINDER | E-3-6 | BOLT, FLANGE, 6X25 | E-3-22 |
| BLOCK, NEUTRAL LOCK | FOP-8-6-6 | BOLT, FLANGE, 6X25 | E-5-17 |
| BLOCK, THROTTLE FRICTION | FOP-8-6-28 | BOLT, FLANGE, 6X25 | E-6-27 |
| BODY COMP., CHAMBER | E-18-10-5 | BOLT, FLANGE, 6X25 | E-10-19 |
| BODY COMP., OIL JET | E-3-8 | BOLT, FLANGE, 6X25 | E-18-21 |
| BODY, TROLLING CONTROL SWITCH | FOP-12-3 | BOLT, FLANGE, 6X25 | E-18-10-47 |
| BOLT | E-19-14 | BOLT, FLANGE, 6X27 | E-18-19 |
| BOLT A, HEAD COVER | E-9-20-18 | BOLT, FLANGE, 6X28 | E-9-10-15 |
| BOLT A, THROUGH | E-21-18 | BOLT, FLANGE, 6X30 | E-9-37 |
| BOLT COMP., OIL JET | E-3-9 | BOLT, FLANGE, 6X32 | E-9-20-30 |
| BOLT KIT, SIDE REMOTE CONTROL | FOP-9-1 | BOLT, FLANGE, 6X32 | E-10-20 |
| BOLT, 1/4-28UNF | F-10-31 | BOLT, FLANGE, 6X38 | E-9-10-20 |
| BOLT, 3/8-24UNF | F-10-33 | BOLT, FLANGE, 6X52 | E-9-20-19 |
| BOLT, CHAIN GUIDE | E-10-9 | BOLT, FLANGE, 8X100 | E-6-34 |
| BOLT, CONNECTING ROD | E-7-5 | BOLT, FLANGE, 8X110 | E-9-20-32 |
| BOLT, COVER LOCK | F-8-8 | BOLT, FLANGE, 8X18 | F-7-10-12 |
| BOLT, DRAIN PLUG | E-6-37 | BOLT, FLANGE, 8X20 | E-3-23 |
| | | BOLT, FLANGE, 8X20 | E-19-25 |
| | | BOLT, FLANGE, 8X25 | E-14-31 |
| | | BOLT, FLANGE, 8X28 | E-19-26 |
| | | BOLT, FLANGE, 8X30 | E-6-26 |
| | | BOLT, FLANGE, 8X30 | E-18-10-49 |
| | | BOLT, FLANGE, 8X32 | E-5-27 |
| | | BOLT, FLANGE, 8X35 | E-3-24 |
| | | BOLT, FLANGE, 8X35 | E-14-29 |
| | | BOLT, FLANGE, 8X35 | F-10-66 |
| | | BOLT, FLANGE, 8X35 | FOP-8-6-50 |
| | | BOLT, FLANGE, 8X45 | E-14-30 |
| | | BOLT, FLANGE, 8X50 | E-3-26 |
| | | BOLT, FLANGE, 8X50 | E-10-16 |
| | | BOLT, FLANGE, 8X55 | E-3-18 |
| | | BOLT, FLANGE, 8X55 | E-10-10 |
| | | BOLT, FLANGE, 8X55 | F-8-10-22 |
| | | BOLT, FLANGE, 8X60 | E-15-20 |
| | | BOLT, FLANGE, 8X75 | E-10-17 |
| | | BOLT, FLANGE, 8X90 | E-9-20-31 |
| | | BOLT, FRICTION | FOP-8-6-29 |
| | | BOLT, FUEL PIPE | E-14-1 |
| | | BOLT, HEX | F-11-30 |
| | | BOLT, HEX., 10X235 | F-10-35 |
| | | BOLT, HEX., 12X130 | E-6-31 |
| | | BOLT, HEX., 12X130 | F-10-39 |
| | | BOLT, HEX., 12X225 | F-3-20-12 |
| | | BOLT, HEX., 12X70 | E-6-30 |
| | | BOLT, HEX., 4X20 | FOP-12-7 |
| | | BOLT, HEX., 5X16 | FOP-8-6-69 |
| | | BOLT, HEX., 6X12 | F-4-17 |
| | | BOLT, HEX., 6X14 | F-10-36 |
| | | BOLT, HEX., 6X50 | F-3-20 |
| | | BOLT, OIL CHECK | F-3-12 |
| | | BOLT, RECESSED | F-11-27 |
| | | BOLT, SEALING, 14MM | E-9-4 |
| | | BOLT, SEALING, 18MM | E-5-7 |
| | | BOLT, SEALING, 20MM | E-3-2 |
| | | BOLT, SEALING, 20MM | E-5-1 |
| | | BOLT, SEALING, 20MM | E-9-20-23 |
| | | BOLT, SEALING, 22MM | E-5-19 |
| | | BOLT, SEALING, 28MM | E-3-3 |
| | | BOLT, SEALING, 6MM | E-18-10-45 |
| | | BOLT, SOCKET(A) | F-11-28 |
| | | BOLT, SOCKET(B) | F-11-29 |
| | | BOLT, SOCKET, 6X16 | F-8-9 |
| | | BOLT, SOCKET, 6X20 | F-8-7 |
| | | BOLT, SOCKET, 6X25 | E-1-5 |
| | | BOLT, SOCKET, 6X25 | E-20-3 |
| | | BOLT, SPECIAL ADJUSTER | E-19-23 |
| | | BOLT, SPECIAL, 6X17 | F-8-20-14 |
| | | BOLT, SPECIAL, 6X220 | FOP-9-2 |
| | | BOLT, SPECIAL, 6X31 | E-9-10-18 |
| | | BOLT, SPECIAL, 8MM | E-5-14 |
| | | BOLT, STUD | E-19-8 |
| | | BOLT, STUD 2, 8X25 | E-14-26 |
| | | BOLT, STUD, 10X55 | E-6-33 |
| | | BOLT, STUD, 12X145 | F-10-32 |
| | | BOLT, STUD, 8X32 | E-14-27 |
| | | BOLT, TENSIONER | E-19-27 |
| | | BOLT, TENSIONER PIVOT | E-9-29 |
| | | BOLT-WASHER | E-19-13 |
| | | BOLT-WASHER, 10X30 | E-10-11 |
| | | BOLT-WASHER, 10X32 | F-3-13 |
| | | BOLT-WASHER, 10X40 | F-3-15 |
| | | BOLT-WASHER, 11X155 | E-9-20-17 |
| | | BOLT-WASHER, 11X95 | E-3-20 |
| | | BOLT-WASHER, 16X49 | E-7-15 |
| | | BOLT-WASHER, 5X30 | E-15-18 |
| | | BOLT-WASHER, 6X25 | E-13-5 |
| | | BOLT-WASHER, 6X25 | E-15-17 |
| | | BOLT-WASHER, 6X27(CT200) | E-20-10-4 |
| | | BOLT-WASHER, 8X10 | E-3-10 |
| | | BOLT-WASHER, 8X30 | F-3-20-11 |
| | | BOLT-WASHER, 8X30 | F-8-10-24 |
| | | BOLT-WASHER, 8X35 | E-14-23 |
| | | BOLT-WASHER, 8X35 | E-18-20 |
| | | BOLT-WASHER, 8X35 | E-18-10-46 |
| | | BOLT-WASHER, 8X40 | F-4-19 |
| | | BOLT-WASHER, 8X40 | FOP-10-1-8 |
| | | BOSS, FLYWHEEL | E-5-13 |
| | | BOX ASSY,REMOTE CONTROL | FOP-8-6- |

| | | | | | |
|------------------------------------|------------|-----------------------------------|------------|----------------------------------|-------------|
| BOX ASSY., JUNCTION | F-7-20-1 | CARTRIDGE, OIL FILTER | E-5-10 | COLLAR, 8.5X14.5..... | E-18-10-53 |
| BOX ASSY., REMOTE CONTROL(EU).... | FOP-8-6-1 | CASE ASSY., BALANCER HOLDER | E-10-1 | COLLAR, C.D.I. UNIT CASE | E-13-8 |
| BOX KIT, REMOTE CONTROL..... | FOP-8-1 | CASE ASSY., CHAIN | E-9-10-1 | COLLAR, C.D.I. UNIT CASE | E-15-22 |
| BOX KIT, REMOTE CONTROL..... | FOP-8-2-1 | CASE ASSY., ELECTRONIC PARTS..... | E-20-10-1 | COLLAR, C.D.I. UNIT CASE | E-20-10-6 |
| BOX KIT, REMOTE CONTROL..... | FOP-8-4-1 | CASE ASSY., GEAR(L) | F-3-10-1 | COLLAR, C.D.I. UNIT CASE | F-7-10-18 |
| BRACKET A, CABLE..... | F-2-21 | CASE ASSY., GEAR(XL)..... | F-3-10- | COLLAR, CAMSHAFT..... | E-9-35 |
| BRACKET A, COUPLER..... | F-7-10-1 | CASE COMP, MOUNT..... | E-6-22 | COLLAR, DISTANCE..... | F-4-34 |
| BRACKET A, HARNESS CLIP..... | E-14-15 | CASE COMP, PUMP..... | E-18-10-27 | COLLAR, DISTANCE..... | FOP-10-1-11 |
| BRACKET ASSY..... | F-11-4 | CASE COMP., SILENCER..... | E-15-5 | COLLAR, DISTANCE(A)..... | FOP-9-3 |
| BRACKET B, CABLE..... | F-7-10-6 | CASE, EXTENSION..... | F-3-20- | COLLAR, DISTANCE(B)..... | FOP-9-4 |
| BRACKET B, HARNESS CLIP..... | E-9-10-9 | CASE, EXTENSION(L)..... | F-3-20-2 | COLLAR, DISTANCE, 6.5X9X3..... | F-8-12 |
| BRACKET C, HARNESS CLIP..... | E-9-10-10 | CASE, GEAR..... | F-3-3 | COLLAR, DISTANCE, 6.5X9X5..... | F-8-20-19 |
| BRACKET COMP., A.C. GENERATOR..... | E-19-17 | CASE, OIL..... | E-6-1 | COLLAR, DISTANCE, 6X10X43.5..... | FOP-8-6-68 |
| BRACKET D, HARNESS CLIP..... | E-3-14 | CASE, SWIVEL..... | F-10-15 | COLLAR, LINK JOINT..... | FOP-8-6-67 |
| BRACKET E, HARNESS CLIP..... | E-15-9 | CHAIN(176L)(DAIDO)..... | E-9-8 | COLLAR, LOWER CYLINDER..... | F-10-29 |
| BRACKET F, CLIP..... | E-9-20-14 | CHAIN(62L)..... | E-10-5 | COLLAR, LOWER MOUNTING..... | F-3-20-7 |
| BRACKET, BUZZER..... | FOP-6-21 | CIRCLIP, EXTERNAL, 14MM..... | F-5-28 | COLLAR, ORIFICE..... | F-11-44 |
| BRACKET, BUZZER..... | FOP-6-1-14 | CIRCLIP, EXTERNAL, 39MM..... | F-10-57 | COLLAR, SLIDING PLATE..... | FOP-8-6-16 |
| BRACKET, CLIP B..... | E-3-13 | CIRCLIP, INTERNAL..... | F-11-32 | COLLAR, STEERING ROD..... | F-10-62 |
| BRACKET, FR..... | E-21-10 | CIRCLIP, INTERNAL, 40..... | F-3-20-17 | CONTROL UNIT, ELECTRONIC..... | E-20-10-3 |
| BRACKET, FR. UNDER COVER..... | F-8-10-5 | CLAMP..... | F-6-5 | CORD ASSY., INDICATOR(20FT)..... | FOP-6-4 |
| BRACKET, HOOK..... | F-8-3 | CLAMP..... | F-6-8 | CORD ASSY., INDICATOR(25FT)..... | FOP-6- |
| BRACKET, L. SIDE COVER..... | F-8-10-7 | CLAMP..... | FOP-1-2 | CORD ASSY., INDICATOR(30FT)..... | FOP-6- |
| BRACKET, L. STERN..... | F-10-20 | CLAMP B, WATER TUBE..... | E-4-12 | CORD COMP., EMERGENCY..... | FOP-6-15 |
| BRACKET, LINK JOINT..... | FOP-8-6-19 | CLAMP, 18.5MM..... | E-9-10-28 | CORD COMP., EMERGENCY..... | FOP-6-1-9 |
| BRACKET, NEUTRAL SWITCH..... | F-2-23 | CLAMP, 18.5MM..... | E-13-7 | CORD COMP., EMERGENCY..... | FOP-8-6-42 |
| BRACKET, R. SIDE COVER..... | F-8-10-6 | CLAMP, ENGINE SUB CORD..... | F-7-30-3 | COTTER, VALVE(FUJI VALVE)..... | E-9-28 |
| BRACKET, R. STERN..... | F-10-19 | CLAMP, FUEL HOSE..... | E-15-23 | COVER ASSY..... | FOP-8-4-11 |
| BRACKET, RELAY..... | E-3-17 | CLAMP, HARNESS..... | FOP-8-6-9 | COVER ASSY., ENGINE..... | F-8-1 |
| BRACKET, REMOTE CONTROL..... | FOP-8-12 | CLAMP, HOSE..... | E-18-11 | COVER B, TERMINAL..... | F-7-10-5 |
| BRACKET, REMOTE CONTROL..... | FOP-8-2-13 | CLAMP, HOSE..... | F-7-30-1 | COVER B, TERMINAL(L)..... | F-7-3 |
| BRACKET, RR..... | E-21-11 | CLAMP, PIPE..... | E-18-12 | COVER B, TERMINAL(L)..... | F-7-10-4 |
| BRACKET, SENSOR CORD..... | E-15-10 | CLAMP, POWER TILT CORD..... | FOP-8-6-31 | COVER COMP..... | E-18-10-6 |
| BRACKET, SHIFT LINK..... | F-2-19 | CLAMP, PURGE HOSE..... | E-18-30 | COVER COMP., CYLINDER HEAD..... | E-1-1 |
| BRACKET, TILTING..... | F-10-24 | CLAMP, TUBE(8.0)..... | E-18-10-51 | COVER COMP., FUSE..... | F-7-20-2 |
| BRACKET, TROLLING CONTROL..... | FOP-12-4 | CLAMP, TUBE(D10.5)..... | E-4-10-8 | COVER COMP., PLUG HOLE COIL..... | E-1-4 |
| BRACKET, WATER TUBE CLAMP..... | E-4-5 | CLAMP, TUBE(D10.5)..... | E-6-40 | COVER, BEARING..... | E-19-5 |
| BREAKER ASSY..... | F-11-1 | CLAMP, TUBE(D10.5)..... | E-6-41 | COVER, CHAIN CASE..... | E-9-10-2 |
| BRUSH ASSY..... | F-11-2 | CLAMP, TUBE(D10.7)..... | E-18-22 | COVER, DRAIN PLUG..... | F-8-20-8 |
| BRUSH SET..... | E-21-7 | CLAMP, TUBE(D12)..... | F-9-12 | COVER, DUAL GRIP..... | FOP-8-2-8 |
| BUFFER, PLATE..... | E-18-1-4 | CLAMP, TUBE(D17)..... | E-15-21 | COVER, EX. MANIFOLD..... | E-4-3 |
| BUSH A, COVER LOCK..... | F-2-25 | CLAMP, TUBE(D25.0)..... | E-4-10-10 | COVER, FLUSH VALVE..... | E-6-15 |
| BUSH A, COVER LOCK..... | F-8-10-11 | CLAMP, TUBE(D32.5)..... | E-4-10-9 | COVER, FR. SEPARATE..... | F-8-20-6 |
| BUSH A, COVER LOCK..... | F-8-10-12 | CLAMP, WATER TUBE..... | E-4-10-11 | COVER, GRIP..... | FOP-8-4-4 |
| BUSH B, COVER LOCK..... | F-8-10-13 | CLIP B1, TUBE..... | F-9-13 | COVER, IMPELLER..... | F-4-5 |
| BUSH COMP., VERTICAL SHAFT..... | F-3-20-3 | CLIP(10.7MM)..... | F-10-69 | COVER, IMPELLER..... | FOP-10-1-5 |
| BUSH, BLADE BRAKE..... | F-2-26 | CLIP(14MM)..... | F-10-56 | COVER, L. ENGINE UNDER..... | F-8-20-10 |
| BUSH, INSULATION..... | E-19-20 | CLIP, BRAKE PIPE(A)..... | F-2-24 | COVER, L. GRIP..... | FOP-8-5 |
| BUSH, LOWER CYLINDER..... | F-11-23 | CLIP, EMERGENCY LOCK..... | FOP-6-16 | COVER, L. GRIP..... | FOP-8-2-6 |
| BUSH, MOTOR CODE..... | F-10-27 | CLIP, EMERGENCY LOCK..... | FOP-6-1-10 | COVER, LOCK ARM..... | FOP-8-4-6 |
| BUSH, MOTOR CODE..... | F-10-68 | CLIP, EMERGENCY LOCK..... | FOP-8-6-43 | COVER, OIL PUMP..... | E-5-4 |
| BUSH, SWIVEL CASE..... | F-10-18 | CLIP, FUEL HOSE..... | E-18-25 | COVER, PUMP(A)..... | E-18-10-29 |
| BUSH, SWIVEL CASE..... | F-11-9 | CLIP, FUEL TUBE, 14..... | E-14-35 | COVER, PUMP(B)..... | E-18-10-28 |
| BUSH, TILT ARM..... | F-10-23 | CLIP, FUEL TUBE, 14..... | F-7-10-16 | COVER, R. ENGINE UNDER..... | F-8-20-9 |
| BUTTON, THROTTLE..... | FOP-8-9 | CLIP, HARNESS..... | E-18-27 | COVER, RELIEF VALVE..... | E-6-19 |
| BUTTON, THROTTLE..... | FOP-8-2-10 | CLIP, HARNESS BAND(BLACK)..... | E-3-38 | COVER, STARTER TERMINAL..... | F-7-10-3 |
| BUTTON, THROTTLE..... | FOP-8-4-8 | CLIP, HARNESS BAND(BLACK)..... | F-7-7 | COVER, THERMOSTAT..... | E-9-10-6 |
| BUZZER COMP., WARNING..... | FOP-6-20 | CLIP, HARNESS BAND(BLACK)..... | F-7-10-17 | COVER, WATER JACKET..... | E-18-10-12 |
| BUZZER COMP., WARNING..... | FOP-6-1-13 | CLIP, HARNESS BAND(BLACK)..... | FOP-11-6 | CRANKCASE COMP..... | E-3-1 |
| BUZZER COMP., WARNING..... | FOP-8-6-46 | CLIP, HARNESS BAND(NATURAL)..... | E-4-17 | CRANKSHAFT COMP..... | E-7-8 |
| <C> | | CLIP, INJECTOR..... | E-14-3 | CUP SET, WATER SEPARATOR..... | E-18-1-3 |
| CABLE ASSY., REMOTE CONTROL(B) ... | FOP-8-6-34 | CLIP, MUDGUARD..... | F-8-20-17 | CUP, FUEL STRAINER..... | E-18-1-8 |
| CABLE ASSY., STARTER..... | F-7-10-2 | CLIP, PISTON PIN..... | E-7-4 | <D> | |
| CABLE ASSY., SWITCH PANEL..... | FOP-6-9 | CLIP, SENSOR HOSE..... | E-18-18 | DAMPER, HOOK..... | F-8-4 |
| CABLE ASSY., SWITCH PANEL..... | FOP-6- | CLIP, TUBE..... | E-18-1 | DOWEL PIN, 10X12..... | E-7-17 |
| CABLE ASSY., SWITCH PANEL..... | FOP-6- | CLIP, TUBE..... | E-18-1-1 | DOWEL PIN, 10X16..... | E-5-25 |
| CABLE COMP. A, COVER LOCK..... | F-8-10-8 | CLIP, TUBE(B1 14.5)..... | E-18-23 | DOWEL PIN, 10X16..... | E-6-48 |
| CABLE COMP. B, COVER LOCK..... | F-8-10-9 | CLIP, TUBE(B12)..... | E-18-24 | DOWEL PIN, 10X16..... | E-9-20-27 |
| CABLE SET, PANEL INDICATOR..... | FOP-6-2 | CLIP, TUBE(B12)..... | E-18-1-14 | DOWEL PIN, 13X14..... | E-3-32 |
| CABLE SET, PANEL INDICATOR..... | FOP-6- | CLIP, TUBE(B8)..... | F-10-55 | DOWEL PIN, 13X20..... | E-3-31 |
| CABLE SET, PANEL INDICATOR..... | FOP-6- | CLIP, TUBE(BLACK)(135MM)..... | E-18-29 | DOWEL PIN, 14X20..... | E-5-26 |
| CAMSHAFT COMP., EX..... | E-9-5 | CLIP, TUBE, 3.5..... | E-13-6 | DOWEL PIN, 14X20..... | E-6-49 |
| CAMSHAFT COMP., IN..... | E-9-2 | CLIP, WIRE HARNESS..... | F-7-6 | DOWEL PIN, 14X20..... | E-9-20-28 |
| CAP COMP., OIL TANK..... | F-11-26 | CLIP, WIRE HARNESS..... | F-8-20-18 | DOWEL PIN, 18X13..... | E-10-12 |
| CAP, BOLT, 8MM..... | E-3-25 | CLIP, WIRE HARNESS..... | F-10-58 | DOWEL PIN, 18X22..... | E-3-30 |
| CAP, GRIP..... | FOP-8-7 | CLIP, WIRE HARNESS(6.3MM)..... | FOP-8-6-66 | DOWEL PIN, 4.2X10.3..... | E-9-34 |
| CAP, GRIP..... | FOP-8-2-9 | CLIP, WIRE HARNESS, 25MM..... | E-18-1-15 | DOWEL PIN, 6X10..... | E-6-47 |
| CAP, HANDLE..... | FOP-8-6-5 | CLUTCH COMP., OVERRUNNING..... | E-21-2 | DOWEL PIN, 6X10..... | F-3-18 |
| CAP, L. SIDE COVER..... | F-8-10-21 | COIL COMP., PLUG HOLE..... | E-20-1 | DOWEL PIN, 6X10..... | F-3-20-18 |
| CAP, OIL(YELLOW)..... | E-3-11 | COLLAR..... | E-18-10-23 | DOWEL PIN, 6X10..... | F-4-25 |
| CAP, REGULATOR..... | E-14-6 | COLLAR..... | E-18-10-26 | DOWEL PIN, 8X10..... | E-10-13 |
| CAP, SWITCH..... | FOP-8-8 | COLLAR, 8.5X14.5..... | E-14-39 | DRIVER, SCREW(NO.2 + -)..... | F-13-1 |
| CAP, WATER JOINT..... | F-8-20-1 | COLLAR, 8.5X14.5..... | E-18-28 | DUCT A, SILENCER..... | E-13-1 |

| | | | | | |
|--------------------------------------|------------|--------------------------------------|------------|------------------------------------|------------|
| DUCT B, SILENCER | E-13-2 | HANGER, ENGINE | E-3-5 | LINK, THROTTLE | F-2-3 |
| <E> | | HARNASS ASSY., MAIN WIRE | F-7-1 | LINKAGE, PIVOT | F-2-1 |
| END COVER, RR. | E-19-19 | HARNASS ASSY., REMOTE CONTROL | FOP-11-2 | LOCK COMP., FR. | F-8-10-19 |
| END, NIPPLE | F-3-10 | HARNASS ASSY., SWITCH PANEL | FOP-6-8 | LOCK COMP., SIDE | F-8-10-20 |
| E-RING, 10MM | F-4-35 | HARNASS ASSY., SWITCH PANEL | FOP-6-1-4 | <M> | |
| E-RING, 12MM | F-2-50 | HARNASS COMP. | E-18-10-43 | MANIFOLD COMP., EX. | E-4-2 |
| E-RING, 15MM | F-11-45 | HARNASS, TROLLING CONTROL | FOP-12-5 | MANIFOLD COMP., INTAKE | E-14-14 |
| E-RING, 3MM | FOP-8-6-78 | HEAD KIT, CYLINDER | E-9-20-1 | MARK, FAST IDLE | FOP-8-6-49 |
| E-RING, 4MM | F-2-48 | HOLDER | E-18-10-11 | MARK, FLUSH MOUNT | FOP-8-4-19 |
| E-RING, 4MM | FOP-8-6-79 | HOLDER ASSY., BRUSH | E-19-2 | MARK, FR. EMBLEM(TOHATSU) | F-12-6 |
| E-RING, 6MM | F-2-49 | HOLDER COMP., BRUSH | E-21-9 | MARK, HANDLE FLUSH MOUNT | FOP-8-4-18 |
| E-RING, 6MM | F-8-10-29 | HOLDER, DRAIN TUBE | F-2-46 | MARK, L. SIDE STRIPE | F-12-16 |
| E-RING, 6MM | FOP-8-36 | HOLDER, NEUTRAL LOCK | FOP-8-4-14 | MARK, OPERATOR CAUTION | F-12-17 |
| E-RING, 6MM | FOP-8-2-41 | HOLDER, OIL FILTER | E-5-16 | MARK, R. SIDE STRIPE | F-12-4 |
| E-RING, 6MM | FOP-8-4-28 | HOLDER, PROPELLER SHAFT | F-5-10 | MARK, REMOTE CONTROL(DUAL) | FOP-8-2-24 |
| E-RING, 7MM | FOP-8-6-80 | HOLDER, SEAL | F-2-20 | MARK, REMOTE CONTROL(SINGLE) | FOP-8-21 |
| <F> | | HOLDER, SHIFT ROD | F-4-11 | MARK, RR.(BFT150) | F-12-3 |
| FILTER ASSY., SPOOL VALVE | E-9-20-9 | HOLDER, UPPER MOUNTING | F-10-13 | METAL COMP., ANODE | F-3-9 |
| FILTER ASSY., VTC | E-9-20-13 | HOSE | F-6-6 | METAL KIT, ANODE | F-10-1 |
| FILTER B. | F-11-16 | HOSE | F-6-7 | METAL, ANODE | E-4-1 |
| FILTER COMP., ELECTRONIC AIR | E-14-19 | HOSE COMP., FUEL | E-18-6 | METAL, BALANCER SHAFT(DAIDO) | E-10-8 |
| FLANGE COMP., OIL FILTER | E-5-11 | HOSE KIT, RIGGING | FOP-1-1 | METER LEAD WIRE | FOP-2-6 |
| FLOAT SET | E-18-10-2 | HOSE, PRESSURE REGULATOR | E-18-13 | MOTION COMP., LOST | E-9-20-7 |
| FLYWHEEL COMP. | E-5-12 | HOUSING ASSY., L. INNER | FOP-8-3 | MOTOR ASSY., POWER TILT | F-11-3 |
| FRAME COMP., MOUNTING | F-10-11 | HOUSING ASSY., L. INNER | FOP-8-2-3 | MOTOR ASSY., STARTER | E-21-1 |
| FUSE, BLOCK 100A(L TYPE) | F-7-20-3 | HOUSING ASSY., R. INNER | FOP-8-2-4 | MOUNT COMP., UPPER RUBBER | F-10-12 |
| FUSE, MINI(10A) | F-7-20-10 | HOUSING ASSY., R. INNER | FOP-8-4-2 | <N> | |
| FUSE, MINI(15A) | F-7-20-11 | HOUSING COMP., REMOTE CONTROL | FOP-8-13 | NIPPLE, GREASE | F-10-59 |
| FUSE, MINI(30A) | F-7-20-12 | HOUSING COMP., REMOTE CONTROL | FOP-8-2-14 | NIPPLE, SENSOR | F-3-11 |
| <G> | | HOUSING COMP., REMOTE CONTROL | FOP-8-6-10 | NUT, ADJUSTER ROD | F-10-43 |
| GASKET A, INJECTOR BASE | E-14-11 | HOUSING COMP., REMOTE CONTROL | FOP-8-6-11 | NUT, CASTLE, 18MM | F-5-13 |
| GASKET B, IMPELLER | F-4-6 | HOUSING, IMPELLER | F-4-3 | NUT, CLIP | F-8-20-15 |
| GASKET B, IMPELLER | FOP-10-3 | HOUSING, IMPELLER | FOP-10-1-3 | NUT, FLANGE CAP, 10MM | E-3-28 |
| GASKET B, IMPELLER | FOP-10-1-6 | HOUSING, LEAD | FOP-8-14 | NUT, FLANGE CAP, 6MM | E-1-6 |
| GASKET COMP., CYLINDER HEAD | E-9-20-6 | HOUSING, LEAD | FOP-8-2-15 | NUT, FLANGE, 10MM | F-10-44 |
| GASKET COMP., EX. MANIFOLD | E-4-4 | HOUSING, LOWER CENTER MOUNTING | F-3-20-8 | NUT, FLANGE, 12MM | F-3-20-14 |
| GASKET, EX. GUIDE | E-6-9 | HOUSING, LOWER MOUNTING | F-3-20-5 | NUT, FLANGE, 12MM | F-10-40 |
| GASKET, IDLE EX. PORT | E-6-11 | HOUSING, REMOTE CONTROL BOX(C) | FOP-8-6-12 | NUT, FLANGE, 5MM | FOP-6-3 |
| GASKET, MOUNT CASE | E-6-23 | HOUSING, WATER SEAL | F-4-15 | NUT, FLANGE, 5MM | FOP-6-1-2 |
| GASKET, UPPER MOUNTING HOLDER | F-10-14 | <I> | | NUT, FLANGE, 6MM | E-14-33 |
| GAUGE COMP., OIL LEVEL | E-6-5 | IMPELLER, PUMP | F-4-2 | NUT, FLANGE, 8MM | E-14-32 |
| GEAR ASSY., INTERNAL | E-21-15 | IMPELLER, PUMP | FOP-10-2 | NUT, FLANGE, 8MM | E-19-29 |
| GEAR ASSY., PLANETARY | E-21-3 | IMPELLER, PUMP | FOP-10-1-2 | NUT, HEX., 12MM | F-10-63 |
| GEAR COMP., BEVEL(FORWARD 30T) | F-5-7 | INJECTOR ASSY., FUEL | E-14-2 | NUT, HEX., 16MM | F-8-20-16 |
| GEAR, BEVEL(RVS. 30T) | F-5-8 | INSULATOR | E-18-10-31 | NUT, HEX., 16MM | FOP-6-23 |
| GEAR, PINION | F-4-16 | INSULATOR COMP. | E-18-10-30 | NUT, HEX., 16MM | FOP-6-1-16 |
| GENERATOR ASSY., A.C. | E-19-15 | <J> | | NUT, HEX., 16MM | FOP-8-6-54 |
| GRIP | F-13-2 | JOINT A, BREATHER | F-10-4 | NUT, HEX., 18MM | F-4-21 |
| GRIP, REMOTE CONTROL HANDLE | FOP-8-6 | JOINT ASSY (INLET) | F-6-2 | NUT, HEX., 20MM | F-2-32 |
| GRIP, REMOTE CONTROL HANDLE | FOP-8-2-7 | JOINT ASSY (OUTLET) | F-6-3 | NUT, HEX., 4MM | FOP-12-8 |
| GRIP, REMOTE CONTROL HANDLE | FOP-8-6-4 | JOINT SET | E-18-10-8 | NUT, HEX., 5MM | F-2-47 |
| GROMMET, ELECTRONIC PARTS CASE | E-20-10-2 | JOINT, DRIVE | F-11-13 | NUT, HEX., 5MM | FOP-8-29 |
| GROMMET, EXTENSION CASE | F-4-12 | JOINT, FOUR-WAY | E-4-10-6 | NUT, HEX., 5MM | FOP-8-35 |
| GROMMET, GEAR CASE | F-3-4 | JOINT, FUEL PIPE | E-14-8 | NUT, HEX., 5MM | FOP-8-2-33 |
| GROMMET, POWER TILT SWITCH | F-8-20-4 | JOINT, FUEL PIPE | E-14-9 | NUT, HEX., 5MM | FOP-8-2-34 |
| GROMMET, RELAY | F-7-10-8 | JOINT, FUEL PIPE | E-18-10-39 | NUT, HEX., 5MM | FOP-8-2-40 |
| GROMMET, REMOTE CONTROL CABLE | F-8-10-2 | JOINT, FUEL TUBE | E-4-10-2 | NUT, HEX., 5MM | FOP-8-6-77 |
| GROMMET, SILENCER | E-15-6 | JOINT, FUEL TUBE | F-9-7 | NUT, HEX., 6MM | E-19-31 |
| GROMMET, SILENCER DUCT | E-15-7 | JOINT, FUEL TUBE | F-9-15 | NUT, HEX., 6MM | F-8-14 |
| GROMMET, TA SENSOR | E-15-14 | JOINT, WATER HOSE | F-9-10 | NUT, HEX., 6MM | FOP-8-4-25 |
| GROMMET, UNDER CASE | E-13-4 | <K> | | NUT, HEX., 6MM | FOP-8-6-55 |
| GROMMET, UNDER CASE | E-15-15 | KEY, 4.5X21 | E-7-16 | NUT, HEX., 6MM | FOP-8-6-76 |
| GROMMET, UNDER CASE(C) | F-8-10-3 | KEY, WOODRUFF | F-4-24 | NUT, LOCK, 64MM | F-4-20 |
| GROMMET, UNDER COVER | F-8-20-5 | KEY, WOODRUFF | FOP-10-4 | NUT, PULLEY LOCK | E-19-7 |
| GROMMET, VAPOR SEPARATOR | E-18-10-34 | KEY, WOODRUFF | FOP-10-1-9 | NUT, SELF-LOCK(25X2.0) | F-10-42 |
| GROMMET, VAPOR SEPARATOR | E-18-10-35 | KIT, CABLE(NMEA)(6FT) | FOP-11-1 | NUT, SELF-LOCK(3/8-24UNF) | F-10-45 |
| GROMMET, WATER CHECK | F-8-20-13 | <L> | | NUT, SELF-LOCK(7/8-14UNF) | F-10-41 |
| GROMMET, WATER TUBE | E-6-12 | LABEL, FUSE | F-12- | NUT, SELF-LOCK, 5MM | F-3-17 |
| GUIDE COMP. B, CAM CHAIN | E-9-13 | LABEL, FUSE(EU) | F-12-1 | NUT, SELF-LOCK, 6MM | F-3-16 |
| GUIDE COMP., BALANCER SHAFT | E-10-7 | LABEL, OIL CAUTION(EF) | F-12-11 | NUT, TAPPET ADJUSTING | E-9-32 |
| GUIDE COMP., CAM CHAIN | E-9-12 | LABEL, WARNING OPERATOR(EC) | F-12-12 | NUT, TAPPET ADJUSTING | E-9-33 |
| GUIDE COMP., EX. | E-6-8 | LABEL, WARNING OPERATOR(EU) | F-12-13 | NUT, WATER MOUTH | F-9-9 |
| GUIDE COMP., ROD | F-11-14 | LAMP ASSY., INDICATION | FOP-8-6-44 | NUT-WASHER, 5MM | E-19-30 |
| GUIDE COMP., ROD | F-11-15 | LAMP ASSY., INDICATION(4-LED) | FOP-6-18 | NUT-WASHER, 6MM | F-7-5 |
| GUIDE, ENGINE COVER AIR | F-8-6 | LAMP ASSY., INDICATION(4-LED) | FOP-6-1-11 | NUT-WASHER, 8MM | F-7-10-13 |
| GUIDE, EX. VALVE(OS) | E-9-20-3 | LEVER SET | E-21-17 | <O> | |
| GUIDE, IN. VALVE(OS) | E-9-20-2 | LEVER, COVER LOCK | F-8-10-10 | OIL SEAL | F-11-33 |
| <H> | | LEVER, HANDLE LOCK | FOP-8-6-3 | OIL SEAL, 14X26X6 | F-2-43 |
| HANDLE, REMOTE CONTROL | FOP-8-4 | LEVER, IDLE | FOP-8-6-22 | OIL SEAL, 31X46X7(NOK) | E-5-21 |
| HANDLE, REMOTE CONTROL | FOP-8-2-5 | LINE, FUEL | E-14-4 | OIL SEAL, 39.5X52X6(ARAI) | F-10-60 |
| HANDLE, REMOTE CONTROL | FOP-8-4-3 | LINER, PUMP | F-4-4 | OIL SEAL, 43X58X7(ARAI) | E-9-10-22 |
| HANDLE, REMOTE CONTROL | FOP-8-6-2 | LINER, PUMP | FOP-10-1-4 | OIL SEAL, 46X60X9 | E-5-20 |
| HANGER B, ENGINE | E-19-1 | LINER, SWIVEL CASE | F-10-17 | OIL SEAL, 80X98X10(ARAI) | E-3-33 |

| | | | | | |
|-------------------------------|-------------|--------------------------------|------------|-------------------------------|------------|
| ORIFICE, LOWER BLOCK | E-3-4 | PIN, LINK | F-2-38 | PUMP ASSY., OIL | E-5-2 |
| ORIFICE, OIL JET | E-3-7 | PIN, LINK | F-2-40 | PUMP KIT, IMPELLER | FOP-10-1 |
| O-RING | E-15-12 | PIN, LOCK, 6MM | FOP-8-6-63 | PUMP KIT, IMPELLER | FOP-10-1-1 |
| O-RING | E-18-1-11 | PIN, PISTON | E-7-3 | PUMP UNIT, FUEL | E-18-10-4 |
| O-RING | E-18-10-13 | PIN, SHIFT LINK | F-2-39 | PUMP UNIT, FUEL | E-18-10-37 |
| O-RING | E-18-10-14 | PIN, SHIFTER, 8X47 | F-5-2 | PUMP UNIT, FUEL(B) | E-18-10-9 |
| O-RING | E-18-10-15 | PIN, SNAP, 12MM | F-2-41 | <R> | |
| O-RING | E-18-10-16 | PIN, SPLIT, 4.0 | F-5-19 | RECEIVER, THRUST | F-10-28 |
| O-RING | E-18-10-17 | PIN, SPRING, 2.5X20 | F-10-64 | RECTIFIER ASSY. | E-19-21 |
| O-RING | E-18-10-18 | PIN, UPPER CYLINDER | F-11-24 | REGULATOR ASSY. | E-19-22 |
| O-RING | E-18-10-19 | PIPE COMP., OIL LEVEL | E-6-6 | REGULATOR ASSY., PRESSURE | E-14-5 |
| O-RING SET, 3.5X31.7 | F-11-41 | PIPE, HARNESS GUIDE | FOP-8-6-32 | RELAY ASSY., FUEL PUMP(DENSO) | F-7-20-5 |
| O-RING, 1.8X69.6 | F-11-35 | PISTON A | E-7-2 | RELAY ASSY., POWER TILT | F-7-10-7 |
| O-RING, 1.8X7.7 | F-11-37 | PISTON B | E-7 | RELAY ASSY., POWER(12V-20A) | F-7-20-6 |
| O-RING, 1.9X11 | F-11-38 | PISTON COMP., FREE | F-11-20 | RETAINER, VALVE SPRING | E-9-26 |
| O-RING, 105X3.1 | F-5-27 | PIVOT, SHIFT | F-2-15 | RING | E-18-10-32 |
| O-RING, 11.5X3.5 | E-6-45 | PIVOT, SHIFT | FOP-8-6-17 | RING SET, PISTON(STD.) | E-7-1 |
| O-RING, 13X1.5(ARAI) | E-3-37 | PIVOT, SHIFT SLIDE | F-2-16 | RING, BACK UP | F-11-17 |
| O-RING, 15.54X2.26 | F-10-61 | PLATE | E-18-1-12 | RING, CROSS PIN | F-5-3 |
| O-RING, 15X1.9 | E-9-10-27 | PLATE | E-18-10-10 | RING, INNER(15X20X23) | F-2-42 |
| O-RING, 15X1.9 | E-9-20-24 | PLATE COMP., SLIDING | FOP-8-6-15 | RING, STOPPER | F-2-11 |
| O-RING, 15X1.9 | E-9-20-25 | PLATE COMP., THROTTLE | F-2-4 | RING, WATER TUBE SEAL | F-4-8 |
| O-RING, 16MM | E-6-44 | PLATE SET, TRANSOM(5.5MM FLAT) | FOP-7-2 | RING, WATER TUBE SEAL | FOP-10-1-7 |
| O-RING, 2.0X70.5 | F-11-34 | PLATE SET, TRIM ADJUST | FOP-7-1 | ROD COMP. A, SHIFT(L) | F-2-10 |
| O-RING, 20.6X2.6 | E-6-46 | PLATE, CABLE CLAMP | FOP-8-11 | ROD COMP. A, SHIFT(XL) | F-2 |
| O-RING, 22.5X2.4 | E-5-22 | PLATE, CABLE CLAMP | FOP-8-2-12 | ROD COMP., CONNECTING | E-7-6 |
| O-RING, 25X2.4(NOK) | F-2-45 | PLATE, CRANK PULSER | E-7-13 | ROD COMP., PISTON | F-11-18 |
| O-RING, 26X2.7 | E-3-34 | PLATE, DWELL | FOP-8-15 | ROD COMP., PISTON | F-11-19 |
| O-RING, 3.5X35.7 | F-11-39 | PLATE, DWELL | FOP-8-2-16 | ROD COMP., PISTON(B) | F-11-12 |
| O-RING, 3.5X38.7 | F-11-36 | PLATE, DWELL | FOP-8-4-10 | ROD COMP., SHIFT | F-4-9 |
| O-RING, 3.5X41.7 | F-11-40 | PLATE, HANDLE | FOP-8-10 | ROD COMP., THROTTLE | F-2-2 |
| O-RING, 33.2X2.4(NOK) | E-18-26 | PLATE, HANDLE | FOP-8-2-11 | ROD KIT, STEERING | F-10-3 |
| O-RING, 37X2.4 | E-4-15 | PLATE, LEVER SETTING | FOP-8-6-8 | ROD, ADJUSTING | F-10-21 |
| O-RING, 55.6X3.5 | F-4-31 | PLATE, LOCK | F-2-17 | ROD, STEERING | F-10-26 |
| O-RING, 58.5X3.5 | F-4-33 | PLATE, REMOTE CONTROL | FOP-8-6 | ROLLER, 3X12.8 | F-5-25 |
| O-RING, 59.4X3.1 | E-21-22 | PLATE, REMOTE CONTROL CABLE | F-2-5 | ROLLER, 5X8 | E-5-28 |
| O-RING, 6.5X1.5 | E-3-35 | PLATE, REMOTE CONTROL(EU) | FOP-8-6-47 | ROLLER, CLICK | FOP-8-6-65 |
| O-RING, 6.9X1.45 | F-3-19 | PLATE, REMOTE CONTROL(REVERSE) | FOP-8-6-48 | ROTOR ASSY. | E-19-16 |
| O-RING, 7.45X3.61(NOK) | E-14-38 | PLATE, RUBBER SETTING | F-3-1 | ROTOR COMP. | E-21-5 |
| O-RING, 7.47X3.6 | E-14-37 | PLATE, SHIFT | F-5-6 | ROTOR, INNER OIL PUMP | E-5-8 |
| O-RING, 7.8X1.9(ARAI) | E-14-36 | PLATE, SHIFT PIVOT | F-2-14 | ROTOR, OUTER OIL PUMP | E-5-9 |
| O-RING, 7.8X1.9(ARAI) | E-18-10-52 | PLATE, SPEED SENSOR TUBE | F-10-16 | RUBBER B, STAND STOPPER | F-8-20-21 |
| O-RING, 76.4X3.1 | E-4-13 | PLATE, SPRING SETTING | FOP-8-6-23 | RUBBER COMP., LOWER MOUNT | F-3-20-6 |
| O-RING, 79.8X3.1 | E-4-14 | PLATE, TDC PULSE | E-9-3 | RUBBER, FR. CARRIER CUSHION | E-14-22 |
| O-RING, 9.5X1.5(HONDA KIKAKI) | E-9-10-25 | PLATE, WATER TUBE | E-6-13 | RUBBER, MOUNT CASE SEAL | E-6-24 |
| O-RING, 9.5X1.9 | E-3-36 | PLATE, WINKER BUZZER | FOP-6-19 | RUBBER, OIL PUMP | E-6-3 |
| O-RING, 9.5X1.9 | E-4-16 | PLATE, WINKER BUZZER | FOP-6-1-12 | RUBBER, TROLLING CONTROL | FOP-12-2 |
| O-RING, 9.5X1.9 | E-9-10-26 | PLATE, WINKER BUZZER | FOP-8-6-45 | <S> | |
| O-RING, CHAIN CASE | E-9-10-23 | PLUG, FUEL TUBE | F-9-8 | SCREEN COMP., FUEL STRAINER | E-18-10-41 |
| O-RING, THERMOSTAT COVER | E-6-21 | PLUG, INNER CONNECTOR | FOP-6-10 | SCREEN, L. WATER | F-3-7 |
| O-RING, WATER PUMP | F-4-32 | PLUG, INNER CONNECTOR | FOP-6-1-5 | SCREEN, R. WATER | F-3-6 |
| O-RING, WATER PUMP | FOP-10-5 | PLUG, INNER CONNECTOR | FOP-8-6-35 | SCREW | E-19-9 |
| O-RING, WATER PUMP | FOP-10-1-10 | PLUG, INNER CONNECTOR | FOP-11-3 | SCREW | E-19-12 |
| <P> | | PLUG, OUTER CONNECTOR | FOP-6-11 | SCREW SET | E-15-1 |
| PACKING | E-21-16 | PLUG, OUTER CONNECTOR | FOP-6-1-6 | SCREW SET, DRAIN | E-18-10-7 |
| PACKING | F-11-43 | PLUG, OUTER CONNECTOR | FOP-8-6-36 | SCREW, 6X95 | FOP-8-6-53 |
| PACKING, CHAIN CASE | E-9-10-24 | PLUG, OUTER CONNECTOR | FOP-11-4 | SCREW, FLAT, 5X12 | FOP-8-6-52 |
| PACKING, CYLINDER HEAD COVER | E-1-2 | PLUG, SPARK(IIZFR6K-11) | E-20 | SCREW, FLAT, 6X16 | E-5-23 |
| PACKING, DUAL | FOP-8-2-19 | PLUG, SPARK(KJ20DR-M11) | E-20-4 | SCREW, OVAL, 5X50 | F-3-21 |
| PACKING, ELECTRONIC AIR | E-14-21 | PLUG, SPARK(SKJ20DR-M11) | E-20 | SCREW, PAN. | E-18-10-21 |
| PACKING, FLASH VALVE | E-6-20 | PLUG, SPARK(ZFR6K-11) | E-20 | SCREW, PAN, 4X10 | FOP-8-26 |
| PACKING, INTAKE MANIFOLD | E-14-12 | PLUG, TDC HOLE | E-9-20-16 | SCREW, PAN, 4X10 | FOP-8-2-29 |
| PACKING, OIL PAN | E-6-2 | PLUG, VTC HOLE | E-9-20-11 | SCREW, PAN, 5X10 | FOP-8-23 |
| PACKING, OIL PUMP BODY | E-5-3 | PORT, IDLE EXHAUST | E-6-10 | SCREW, PAN, 5X10 | FOP-8-2-26 |
| PACKING, SINGLE | FOP-8-18 | PRIMER BULB | F-6-4 | SCREW, PAN, 5X10 | FOP-8-6-70 |
| PACKING, THERMOSTAT COVER | E-9-10-7 | PRIMER BULB ASSY | F-6-1 | SCREW, PAN, 5X12 | E-18-1-7 |
| PACKING, THERMOSTAT SPACER | E-9-10-8 | PROPELLER COMP., THREE BLADES | F-5-11 | SCREW, PAN, 5X16 | FOP-8-22 |
| PACKING, THROTTLE BODY | E-14-13 | PROPELLER COMP., THREE BLADES | F-5 | SCREW, PAN, 5X16 | FOP-8-2-25 |
| PANEL ASSY., INDICATOR(4-LED) | FOP-6-17 | PROPELLER COMP., THREE BLADES | F-5 | SCREW, PAN, 5X16 | FOP-8-4-20 |
| PANEL ASSY., SWITCH | FOP-6-5 | PROPELLER COMP., THREE BLADES | F-5 | SCREW, PAN, 5X18 | E-15-16 |
| PANEL ASSY., SWITCH | FOP-6 | PROPELLER COMP., THREE BLADES | F-5 | SCREW, PAN, 5X18 | FOP-8-25 |
| PANEL ASSY., TROLLING CONTROL | FOP-12-6 | PROPELLER COMP., THREE BLADES | F-5 | SCREW, PAN, 5X18 | FOP-8-2-28 |
| PANEL KIT, SWITCH(4-LED) | FOP-6 | PROPELLER COMP., THREE BLADES | F-5 | SCREW, PAN, 5X20 | FOP-8-24 |
| PANEL KIT, SWITCH(4-LED) | FOP-6-1-1 | PROPELLER COMP., THREE BLADES | F-5 | SCREW, PAN, 5X20 | FOP-8-2-27 |
| PANEL KIT, SWITCH(4-LED) | FOP-6-1 | PROPELLER COMP., THREE BLADES | F-5 | SCREW, PAN, 5X30 | FOP-8-4-22 |
| PANEL KIT, SWITCH(B)(4-LED) | FOP-6-1 | PROPELLER COMP., THREE BLADES | F-5 | SCREW, PAN, 5X40 | FOP-6-22 |
| PANEL, CONTROL | FOP-6-6 | PROPELLER COMP., THREE BLADES | F-5 | SCREW, PAN, 5X40 | FOP-6-1-15 |
| PANEL, CONTROL | FOP-6 | PROPELLER COMP., THREE BLADES | F-5 | SCREW, PAN, 5X40 | FOP-8-28 |
| PANEL, CONTROL | FOP-6-7 | PULLER, MINI FUSE | F-7-20-4 | SCREW, PAN, 5X40 | FOP-8-2-31 |
| PANEL, CONTROL | FOP-6-1-3 | PULLEY | E-19-6 | SCREW, PAN, 5X55 | FOP-8-2-32 |
| PANEL, CONTROL | FOP-6-1 | PULLEY, CRANKSHAFT | E-7-14 | SCREW, PAN, 5X65 | FOP-8-34 |
| PIN A, DOWEL, 12X16 | E-10-14 | PUMP ASSY. | F-11-11 | SCREW, PAN, 5X65 | FOP-8-2-39 |
| PIN, 6X6 | FOP-8-6-64 | PUMP ASSY., FUEL | E-18-5 | SCREW, PAN, 5X8 | E-21-20 |

| | | | | | |
|---------------------------------|------------|--------------------------------------|------------|----------------------------------|------------|
| SCREW, PAN, 6X10..... | FOP-8-6-51 | SHIM D, BEVEL(0.50)..... | F-5- | TERMINAL, CABLE..... | FOP-8-4-12 |
| SCREW, PAN, 6X18..... | E-4-18 | SHIM D, GEAR(0.50)..... | F-4- | THERMOSTAT ASSY..... | E-9-10-3 |
| SCREW, PAN, 6X18..... | FOP-8-27 | SLIDER, SHIFT..... | F-5-4 | THERMOSTAT ASSY..... | E-9-10-4 |
| SCREW, PAN, 6X18..... | FOP-8-2-30 | SLINGER, OIL..... | F-4-14 | THROTTLE BODY ASSY..... | E-15-2 |
| SCREW, PAN, 6X22(SPECIAL)..... | E-21-19 | SPACER KIT, REMOTE CONTROL BOX .. | FOP-8-2 | TIE, CABLE..... | FOP-11-5 |
| SCREW, PAN, 6X25..... | F-8-20-20 | SPACER KIT, REMOTE CONTROL BOX .. | FOP-8-2-2 | TIE, CABLE(NATURAL)(2.4X92)..... | FOP-6-12 |
| SCREW, PAN, 6X35..... | FOP-8-4-23 | SPACER, CABLE CLAMP..... | FOP-8-17 | TIE, CABLE(NATURAL)(2.4X92)..... | FOP-8-6-37 |
| SCREW, PAN, 6X8..... | F-3-20-13 | SPACER, CABLE CLAMP..... | FOP-8-2-18 | T-JOINT..... | E-6-7 |
| SCREW, PAN, 6X8..... | F-10-37 | SPACER, CABLE CLAMP..... | FOP-8-4-13 | T-JOINT..... | E-18-15 |
| SCREW, PAN, 6X8..... | F-11-31 | SPACER, CABLE CLAMP..... | FOP-8-6-33 | TRIM METER ASSY (BLACK)..... | FOP-2-1 |
| SCREW, RIVET, 5X10..... | F-10-38 | SPACER, CLICK SPRING..... | FOP-8-6-27 | TRIM-TILT ASSY, POWER..... | F-11-10 |
| SCREW, TAPPET ADJUSTING..... | E-9-22 | SPACER, NEUTRAL SWITCH..... | FOP-8-6-30 | TUBE A, WATER RELIEF..... | E-4-10-4 |
| SCREW, TAPPET ADJUSTING..... | E-9-23 | SPACER, REMOTE CONTROL BOX..... | FOP-8-6-26 | TUBE ASSY. D, FUEL..... | F-9-4 |
| SCREW, TAPPING..... | FOP-1-3 | SPACER, THERMOSTAT COVER..... | E-9-10-5 | TUBE B, AIR VENT..... | E-18-3 |
| SCREW, TAPPING, 4X12..... | F-8-13 | SPRING COMP, CLICK..... | F-10-5 | TUBE B, FUEL..... | E-18-10 |
| SCREW, TAPPING, 5X10..... | FOP-8-6-72 | SPRING, ACCELERATOR WHEEL..... | FOP-8-6-21 | TUBE B, WATER RELIEF..... | E-4-10-5 |
| SCREW, TAPPING, 5X12..... | FOP-8-6-73 | SPRING, AIR FLOW TUBE..... | E-15-3 | TUBE C, FUEL..... | F-9-3 |
| SCREW, TAPPING, 5X20..... | E-13-9 | SPRING, CHOKE RETURN..... | FOP-8-6-25 | TUBE COMP. A, FUEL..... | F-9-1 |
| SCREW, TAPPING, 5X25..... | FOP-8-6-75 | SPRING, CLICK..... | F-2-9 | TUBE COMP. B, FUEL..... | F-9-2 |
| SCREW, TAPPING, 5X8..... | FOP-8-6-71 | SPRING, CLICK ASSIST..... | F-10-6 | TUBE COMP. C, AIR VENT..... | E-18-2 |
| SCREW, TAPPING, 6X16..... | FOP-8-6-74 | SPRING, COVER LOCK HOOK..... | F-8-10-14 | TUBE COMP. E, FUEL..... | F-9-6 |
| SCREW, TAPPING, 6X30..... | FOP-8-4-24 | SPRING, COVER LOCK HOOK..... | F-8-10-15 | TUBE COMP. E, WATER..... | E-4-10-7 |
| SCREW, TRUSS, 4X12..... | FOP-8-4-21 | SPRING, EX. VALVE(GRAY)..... | E-9-25 | TUBE COMP, AIR VENT..... | E-18-4 |
| SCREW, WASHER..... | E-18-10-22 | SPRING, FLUSH VALVE..... | E-6-16 | TUBE COMP, WATER RELIEF..... | E-4-10-3 |
| SCREW-WASHER..... | E-18-10-20 | SPRING, IN. VALVE(PINK)..... | E-9-24 | TUBE D, FUEL..... | E-18-7 |
| SCREW-WASHER..... | E-19-10 | SPRING, LOCK ADJUSTER..... | F-8-5 | TUBE D, FUEL..... | F-9-5 |
| SCREW-WASHER, 4X25..... | E-19-11 | SPRING, LOCK LEVER RETURN..... | F-8-10-16 | TUBE F, FUEL..... | E-18-10-14 |
| SCREW-WASHER, 5X15..... | F-7-20-9 | SPRING, MOTOR..... | F-11-7 | TUBE F, WATER..... | E-18-40 |
| SEAL A, COVER UNDER..... | F-8-20-11 | SPRING, NEUTRAL LOCK ARM..... | FOP-8-4-7 | TUBE G, WATER..... | E-18-16 |
| SEAL A, VALVE STEM(ARAI)..... | E-9-20-4 | SPRING, RELIEF VALVE..... | E-5-6 | TUBE KIT, SPEED SENSOR..... | F-10-2 |
| SEAL A, VALVE STEM(NOK)..... | E-9-20- | SPRING, REMOTE CONTROL HANDLE .. | FOP-8-6-7 | TUBE, 12X740..... | E-15-25 |
| SEAL B, COVER UNDER..... | F-8-20-12 | SPRING, SET..... | E-18-10-42 | TUBE, 5X140..... | F-3-22 |
| SEAL B, VALVE STEM(ARAI)..... | E-9-20-5 | SPRING, SHIFT..... | F-5-5 | TUBE, 5X270..... | F-3- |
| SEAL B, VALVE STEM(NOK)..... | E-9-20- | SPRING, SHIFT CLICK..... | FOP-8-6-24 | TUBE, 5X950..... | F-10-65 |
| SEAL, ENGINE COVER..... | F-8-2 | SPRING, SHIFT ROD..... | F-4-10 | TUBE, 7X120..... | E-4-10-14 |
| SEAL, FR. SEPARATE COVER..... | F-8-20-7 | SPRING, SILENCER DUCT GROMMET... .. | E-15-8 | TUBE, 7X160..... | E-6-51 |
| SEAL, PLUG HOLE..... | E-20-2 | SPROCKET COMP, CHAIN DRIVE..... | E-7-12 | TUBE, 7X200..... | E-6-52 |
| SEAL, SPARK PLUG TUBE(NOK)..... | E-1-3 | SPROCKET, CAM CHAIN DRIVEN..... | E-9-6 | TUBE, 7X40..... | E-6-50 |
| SEAL, WATER..... | F-11-42 | SPROCKET, CAM CHAIN DRIVEN IN.... | E-9-7 | TUBE, 7X75..... | E-4-10-12 |
| SEAL, WATER(14X26X8)..... | F-2-44 | SPROCKET, DRIVEN(17T)..... | E-10-4 | TUBE, 7X90..... | E-4-10-13 |
| SEAL, WATER, 12X21X6..... | F-4-30 | STAY A, PLATE..... | E-18-10-3 | TUBE, BYPASS SOLENOID..... | E-14-18 |
| SEAL, WATER, 22X35X7..... | E-6-43 | STAY, A.C. GENERATOR..... | E-19-18 | TUBE, DIAPHRAGM..... | E-14-17 |
| SEAL, WATER, 23X36X6..... | F-4-29 | STAY, FUEL STRAINER..... | E-18-1-9 | TUBE, FUEL, 3.5X430..... | E-18-31 |
| SEAL, WATER, 23X36X8..... | F-4-28 | STAY, PLATE..... | E-18-10-36 | TUBE, FUEL, 8X300..... | F-9-14 |
| SEAL, WATER, 30X45X7..... | F-5-26 | STAY, POWER TILT SWITCH..... | F-8-20-3 | TUBE, OIL..... | E-4-10-1 |
| SEAT, VALVE SPRING..... | E-9-27 | STAY, VAPOR SEPARATOR..... | E-18-10-38 | TUBE, PRESSURE REGULATOR..... | E-14-7 |
| SEAT, WATER MOUTH..... | F-9-11 | STOPPER SET, SLEEVE..... | E-21-8 | TUBE, SPEED SENSOR..... | F-10-10 |
| SENSOR ASSY., AIR TEMP..... | E-15-13 | STOPPER(TOOL)..... | E-9-10 | TUBE, SPIRAL..... | F-10-9 |
| SENSOR ASSY., CRANK..... | E-9-10-13 | STOPPER, TILT..... | F-10-25 | TUBE, SPIRAL..... | F-10-67 |
| SENSOR ASSY., KNOCK..... | E-3-12 | STRAINER ASSY., VTC..... | E-9-20-12 | TUBE, VINYL, 4X7X160..... | E-15-24 |
| SENSOR ASSY., MAP..... | E-15-11 | STRAINER COMP., FUEL..... | E-18-1-5 | TUBE, WATER RELIEF..... | E-6-14 |
| SENSOR ASSY., TDC..... | E-9-20-15 | STRAINER COMP., OIL..... | E-6-4 | TUBE, WATER(L)..... | F-4-7 |
| SENSOR ASSY., TRIM ANGLE..... | F-10-8 | STRAINER, FUEL..... | E-18-1-6 | TUBE, WATER(XL)..... | F-4- |
| SENSOR ASSY., WATER..... | E-3-15 | STRAINER, FUEL PUMP..... | E-18-8 | <V> | |
| SENSOR ASSY., WATER..... | E-4-7 | SUB HARNESS ASSY., POWER..... | FOP-8-19 | VALVE ASSY., AIR BYPASS..... | E-14-16 |
| SENSOR ASSY., WATER..... | E-9-10-11 | SUB HARNESS ASSY., POWER..... | FOP-8-2-20 | VALVE ASSY., ELECTRONIC AIR..... | E-14-20 |
| SENSOR ASSY., WATER..... | E-9-10-12 | SUB HARNESS ASSY., POWER..... | FOP-8-2-21 | VALVE ASSY., RELIEF..... | E-6-17 |
| SENSOR, LAF..... | E-4-6 | SUB HARNESS ASSY., POWER..... | FOP-8-4-16 | VALVE ASSY., SPOOL..... | E-9-20-8 |
| SENSOR, OIL PRESSURE..... | E-3-16 | SUSPENSION, STRAINER..... | E-18-9 | VALVE COMP., MANUAL..... | F-11-21 |
| SEPARATOR ASSY., VAPOR..... | E-18-10-33 | SUSPENSION, STRAINER..... | E-18-1-10 | VALVE COMP., RESERVOIR..... | F-11-22 |
| SEPARATOR ASSY., WATER..... | E-18-1-2 | SWITCH ASSY., COMBINATION..... | FOP-6-13 | VALVE SET, FLOAT..... | E-18-10-1 |
| SHAFT ASSY., CLUTCH..... | E-21-13 | SWITCH ASSY., COMBINATION..... | FOP-6-1-7 | VALVE, CHECK..... | E-18-17 |
| SHAFT ASSY., GEAR..... | E-21-14 | SWITCH ASSY., COMBINATION..... | FOP-8-6-38 | VALVE, EX..... | E-9-21 |
| SHAFT COMP. A, SHIFT..... | F-2-12 | SWITCH ASSY., EMERGENCY STOP..... | FOP-6-14 | VALVE, FLASH..... | E-6-18 |
| SHAFT COMP. B, SHIFT..... | F-2-18 | SWITCH ASSY., EMERGENCY STOP..... | FOP-6-1-8 | VALVE, IN..... | E-9-20 |
| SHAFT COMP., FR. BALANCER..... | E-10-2 | SWITCH ASSY., EMERGENCY STOP..... | FOP-8-6-41 | VALVE, RELIEF..... | E-5-5 |
| SHAFT COMP., RR. BALANCER..... | E-10-3 | SWITCH ASSY., MAGNET..... | E-21-12 | <W> | |
| SHAFT, COVER OPEN..... | F-8-10-17 | SWITCH ASSY., NEUTRAL..... | F-2-22 | WASHER..... | F-2-35 |
| SHAFT, EX. ROCKER..... | E-9-18 | SWITCH ASSY., POWER TILT..... | F-8-20-2 | WASHER B, THRUST, 14MM..... | F-2-33 |
| SHAFT, FR. LOCK..... | F-8-10-18 | SWITCH ASSY., POWER TRIM-TILT..... | FOP-8-20 | WASHER, 10MM..... | F-10-49 |
| SHAFT, PROPELLER..... | F-5-9 | SWITCH ASSY., POWER TRIM-TILT..... | FOP-8-2-22 | WASHER, 26MM..... | F-3-20-15 |
| SHAFT, ROCKER..... | E-9-17 | SWITCH ASSY., POWER TRIM-TILT..... | FOP-8-2-23 | WASHER, 28MM..... | FOP-8-6-62 |
| SHAFT, THROTTLE BUTTON..... | FOP-8-4-9 | SWITCH ASSY., POWER TRIM-TILT..... | FOP-8-4-17 | WASHER, 6MM..... | FOP-8-6-60 |
| SHAFT, TILTING..... | F-10-22 | SWITCH ASSY., POWER TRIM-TILT..... | FOP-8-6-39 | WASHER, DRAIN PLUG, 12MM..... | E-6-39 |
| SHAFT, VERTICAL(L)..... | F-4-13 | SWITCH ASSY., TROLLING CONTROL... .. | FOP-12-1 | WASHER, DRAIN PLUG, 20MM..... | E-5-24 |
| SHAFT, VERTICAL(XL)..... | F-4- | <T> | | WASHER, DRAIN PLUG, 20MM..... | E-9-20-26 |
| SHIFTER, CLUTCH..... | F-5-1 | TAB, TRIM..... | F-3-8 | WASHER, HEAD COVER..... | E-1-7 |
| SHIM A, BEVEL(0.10)..... | F-5-17 | TACHOMETER HOUR METER (BLACK) .. | FOP-2-4 | WASHER, LOCK, 5MM..... | FOP-8-30 |
| SHIM A, GEAR(0.10)..... | F-4-23 | TANK, OIL..... | F-11-25 | WASHER, LOCK, 5MM..... | FOP-8-2-35 |
| SHIM B, BEVEL(0.15)..... | F-5- | TENSIONER ASSY., CAM CHAIN..... | E-9-9 | WASHER, LOCK, 5MM..... | FOP-8-4-26 |
| SHIM B, GEAR(0.15)..... | F-4- | TENSIONER COMP., BALANCER..... | E-10-6 | WASHER, LOCK, 6MM..... | FOP-8-32 |
| SHIM C, BEVEL(0.30)..... | F-5- | TERMINAL, CABLE..... | FOP-8-16 | WASHER, LOCK, 6MM..... | FOP-8-2-37 |
| SHIM C, GEAR(0.30)..... | F-4- | TERMINAL, CABLE..... | FOP-8-2-17 | WASHER, PIVOT..... | F-2-7 |

| | |
|-------------------------------|------------|
| WASHER, PIVOT | F-4-1 |
| WASHER, PLAIN | E-18-10-24 |
| WASHER, PLAIN | E-18-10-25 |
| WASHER, PLAIN, 10MM | F-5-18 |
| WASHER, PLAIN, 10MM | F-8-10-26 |
| WASHER, PLAIN, 10MM | F-10-50 |
| WASHER, PLAIN, 10MM | F-10-54 |
| WASHER, PLAIN, 12MM | E-6-38 |
| WASHER, PLAIN, 12MM | F-2-34 |
| WASHER, PLAIN, 12MM | F-3-20-16 |
| WASHER, PLAIN, 12MM | F-4-22 |
| WASHER, PLAIN, 12MM | F-8-11 |
| WASHER, PLAIN, 12MM | F-10-51 |
| WASHER, PLAIN, 12MM | F-10-52 |
| WASHER, PLAIN, 12MM | F-10-53 |
| WASHER, PLAIN, 4MM | FOP-8-6-56 |
| WASHER, PLAIN, 5MM | FOP-6-25 |
| WASHER, PLAIN, 5MM | FOP-6-1-18 |
| WASHER, PLAIN, 5MM | FOP-8-31 |
| WASHER, PLAIN, 5MM | FOP-8-33 |
| WASHER, PLAIN, 5MM | FOP-8-2-36 |
| WASHER, PLAIN, 5MM | FOP-8-2-38 |
| WASHER, PLAIN, 5MM | FOP-8-6-57 |
| WASHER, PLAIN, 5MM | FOP-8-6-58 |
| WASHER, PLAIN, 6MM | F-2-36 |
| WASHER, PLAIN, 6MM | F-8-10 |
| WASHER, PLAIN, 6MM | FOP-8-4-27 |
| WASHER, PLAIN, 6MM | FOP-8-6-59 |
| WASHER, PLAIN, 8MM | F-2-37 |
| WASHER, PLAIN, 8MM | F-7-10-14 |
| WASHER, PLAIN, 8MM | F-8-10-25 |
| WASHER, PLAIN, 8MM | F-8-10-28 |
| WASHER, PLAIN, 8MM | FOP-8-6-61 |
| WASHER, PROPELLER | F-5-16 |
| WASHER, PROPELLER THRUST..... | F-5-14 |
| WASHER, SEALING, 28MM..... | E-3-29 |
| WASHER, SEALING, 6MM..... | E-18-10-50 |
| WASHER, SPRING, 4MM | FOP-12-9 |
| WASHER, SPRING, 5MM | FOP-6-26 |
| WASHER, SPRING, 5MM..... | FOP-6-1-19 |
| WASHER, THRUST..... | E-7-10 |
| WASHER, THRUST..... | E-9-19 |
| WASHER, THRUST BEARING | F-5-15 |
| WASHER, THRUST, 34MM | F-10-48 |
| WASHER, WAVE, 10MM | F-8-10-27 |
| WASHER, WAVE, 26MM | F-10-47 |
| WASHER, WAVE, 40MM | F-10-46 |
| WHEEL, ACCELERATOR..... | FOP-8-6-20 |
| WHEEL, CONTROL | FOP-8-6-13 |
| WIRE, LEAD(1.5X116MM)..... | F-11-8 |
| WIRE, LEAD(1.5X137MM)..... | F-3-20-4 |
| WRENCH, EYE, 19MM | F-13-11 |
| WRENCH, HEX., 6MM | F-13-6 |
| WRENCH, PLUG..... | F-13-5 |
| <Y> | |
| YOKE ASSY..... | F-11-6 |
| YOKE COMP..... | E-21-4 |

INDEX (Parts Number)

| | | | | | | | |
|------------------------------|------------|------------------------------|------------|--------------------------|------------|--------------------------|------------|
| 332-70201-0 | F-6-8 | HCO-94301-08100 | E-10-13 | HMJ0-91301-003 | E-18-10-52 | HPNA-14762-003 | E-9-25 |
| 3C7-70211-1 | F-6-4 | HCO-94301-10120 | E-7-17 | HMM4-90105-000 | FOP-8-6-51 | HPNA-14820-013 | E-9-20-7 |
| 3C7-70217-0 | F-6-5 | HCO-94301-10160 | E-5-25 | HMM8-90501-610 | F-8-10-25 | HPNA-17055-004 | E-14-11 |
| 3C7-70220-1 | F-6-2 | HCO-94301-10160 | E-6-48 | HMM8-90502-610 | F-8-10-26 | HPNA-90003-000 | E-9-29 |
| 3C7-70224-1 | F-6-3 | HCO-94301-10160 | E-9-20-27 | HMM5-17195-000 | E-6-7 | HPNA-90004-000 | E-10-9 |
| 3PU-72537-0 | FOP-2-6 | HCO-94301-12160 | E-10-14 | HMR5-16966-000 | F-9-7 | HPNA-90005-003 | E-9-20-17 |
| 3PV-72571-0 | FOP-2-1 | HCO-94301-14200 | E-5-26 | HMR5-16966-000 | F-9-15 | HPNA-90006-003 | E-3-20 |
| 3PV-72637-0 | FOP-2-4 | HCO-94301-14200 | E-6-49 | HMT8-18334-770 | FOP-6-3 | HPNA-90011-003 | E-9-20-18 |
| 3T1-70200-1 | F-6-1 | HCO-94301-14200 | E-9-20-28 | HMT8-18334-770 | FOP-6-1-2 | HPNA-90031-004 | E-10-11 |
| 98AB-701600 | F-6-7 | HCO-94305-25203 | F-10-64 | HMV1-16959-000 | E-4-10-2 | HPNA-90032-000 | E-9-30 |
| 98AB-70-700 | F-6-6 | HCO-94510-14000 | F-5-28 | HMY5-91005-601 | F-5-20 | HPNA-90042-003 | E-9-31 |
| H121-51640-730 | E-14-22 | HCO-94540-03029 | FOP-8-6-78 | HMZ5-16952-000 | E-18-10 | HPNA-90703-300 | E-9-34 |
| H341-38403-672 | FOP-6-19 | HCO-94540-04029 | F-2-48 | HP01-91212-003 | E-5-21 | HPNA-90704-000 | E-7-16 |
| H341-38403-672 | FOP-6-1-12 | HCO-94540-04029 | FOP-8-6-79 | HP0X-91321-003 | F-2-45 | HPNA-90715-000 | E-3-32 |
| H341-38403-672 | FOP-8-6-45 | HCO-94540-06029 | F-2-49 | HP2A-37881-000 | E-15-14 | HPNA-91214-014 | E-3-33 |
| H460-89221-840 | F-13-6 | HCO-94540-06029 | F-8-10-29 | HP5A-13115-000 | E-7-4 | HPNA-91302-003 | E-14-38 |
| H538-89102-000 | F-13-1 | HCO-94540-06029 | FOP-8-36 | HP64-31141-003 | E-19-6 | HPNA-91302-004 | E-9-10-23 |
| H538-89103-000 | F-13-2 | HCO-94540-06029 | FOP-8-2-41 | HP8A-13204-A01 | E-7-5 | HPNA-91307-003 | E-3-36 |
| H723-90472-000 | F-4-22 | HCO-94540-06029 | FOP-8-4-28 | HPA9-91317-003 | E-18-26 | HPNA-91307-003 | E-4-16 |
| H750-90628-000 | F-10-56 | HCO-94540-07029 | FOP-8-6-80 | HPC6-15233-000 | E-5-7 | HPNA-91307-003 | E-9-10-26 |
| H759-16911-003 | E-18-8 | HCO-94540-10019 | F-4-35 | HPC6-90715-000 | E-3-31 | HPNA-91333-003 | E-9-10-27 |
| H763-75538-C01 | F-2-26 | HCO-94540-12029 | F-2-50 | HPC6-91324-000 | E-6-46 | HPNA-91333-003 | E-9-20-25 |
| H763-90681-A01 | F-10-58 | HCO-94540-15029 | F-11-45 | HPCX-12342-004 | E-1-3 | HPNB-37500-003 | E-9-10-13 |
| H800-91303-000 | E-6-44 | HCO-95001-35430-40 | E-18-31 | HPCX-14744-014 | E-9-22 | HPNB-37510-003 | E-9-20-15 |
| H805-91301-000 | E-3-34 | HCO-95001-80300-40 | F-9-14 | HPCX-90017-013 | E-7-15 | HPNC-91212-004 | E-9-10-22 |
| H881-90105-000 | F-4-17 | HCO-95003-07016-31 | E-15-24 | HPD1-31138-004 | E-19-5 | HPP4-90009-E01 | E-18-10-45 |
| H881-90110-000 | F-10-36 | HCO-95005-12740-20 | E-15-25 | HPD1-31142-004 | E-19-7 | HPPA-13210-000 | E-7-6 |
| H921-15611-000 | E-3-11 | HCO-95005-50170-30 | F-3-22 | HPD1-31148-004 | E-19-11 | HPPA-13310-000 | E-7-8 |
| H921-17936-000 | F-2-7 | HCO-95005-50240-30 | F-3- | HPD1-90231-014 | E-19-30 | HPPA-14520-003 | E-9-11 |
| H921-17936-000 | F-4-1 | HCO-95005-50950-30 | F-10-65 | HPD6-90430-003 | E-18-10-50 | HPPA-14530-003 | E-9-12 |
| H921-90302-000 | F-8-20-16 | HCO-95005-70040-30 | E-6-50 | HPE0-15231-000 | E-5-5 | HPR3-91319-003 | E-3-37 |
| H921-90302-000 | FOP-6-23 | HCO-95005-70075-30 | E-4-10-12 | HPE0-90703-000 | E-3-30 | HPRA-11106-013 | E-3-3 |
| H921-90302-000 | FOP-6-1-16 | HCO-95005-70090-30 | E-4-10-13 | HPE9-31145-941 | E-19-8 | HPRA-90401-000 | E-3-29 |
| H921-90302-000 | FOP-8-6-54 | HCO-95005-70120-30 | E-4-10-14 | HPE9-31152-942 | E-19-13 | HPRA-15290-000 | E-3-9 |
| H921-90504-010 | F-8-10 | HCO-95005-70160-30 | E-6-51 | HPFB-30522-007 | E-20-2 | HPRB-14721-A00 | E-9-21 |
| H921-90504-010 | FOP-8-6-59 | HCO-95005-70200-30 | E-6-52 | HPG6-15232-000 | E-5-6 | HPRB-15280-A00 | E-3-8 |
| H921-90511-000 | F-10-50 | HCO-95011-62000 | F-8-20-21 | HPGK-37835-A01 | E-15-12 | HPSA-36454-003 | E-14-19 |
| H921-90512-010 | FOP-8-6-60 | HCO-95701-06014-08 | E-10-15 | HPH1-90015-013 | E-5-16 | HPT0-14775-000 | E-9-27 |
| H921-90518-000 | F-2-37 | HCO-95701-06018-09 | E-6-53 | HPH3-90011-000 | E-5-15 | HPT0-31147-003 | E-19-10 |
| H921-90518-000 | F-8-10-28 | HCO-95701-06020-08 | E-9-36 | HPJ7-31111-013 | E-19-3 | HPT0-90206-004 | E-9-33 |
| H921-90518-000 | FOP-8-6-61 | HCO-95701-06020-08 | E-9-20-29 | HPJ7-31114-013 | E-19-4 | HPT2-91005-N01 | F-5-21 |
| H921-90602-000 | F-10-55 | HCO-95701-06030-08 | E-9-37 | HPJ7-31146-003 | E-19-9 | HPY3-17249-000 | E-15-3 |
| H952-32901-770 | FOP-6-12 | HCO-95701-06032-08 | E-9-20-30 | HPJ7-91309-010 | E-6-45 | HPY3-31215-004 | E-21-3 |
| H952-32901-770 | FOP-8-6-37 | HCO-95701-08032-08 | E-5-27 | HPK1-32742-003 | F-7-30-3 | HPY3-31218-004 | E-21-6 |
| HP58-90428-000 | F-2-33 | HCO-95701-08050-08 | E-10-16 | HPK2-91307-005 | E-9-10-25 | HPZ1-12210-003 | E-9-20-4 |
| HCO-92101-04020-4J | FOP-12-7 | HCO-95701-08075-08 | E-10-17 | HPKC-37880-004 | E-15-13 | HPZ1-12210-004 | E-9-20-7 |
| HCO-92101-05016-4J | FOP-8-6-69 | HCO-95701-08090-08 | E-9-20-31 | HPKC-91301-000 | E-14-37 | HPZ1-12211-003 | E-9-20-5 |
| HCO-92101-06050-4J | F-3-20 | HCO-95701-08110-08 | E-9-20-32 | HPM3-90206-004 | E-9-32 | HPZ1-12211-004 | E-9-20-7 |
| HCO-93500-05010-4J | FOP-8-6-70 | HCO-95701-10105-08 | E-10-18 | HPNA-11106-300 | E-3-2 | HPZ1-31105-003 | E-19-2 |
| HCO-93500-05065-4J | FOP-8-34 | HCO-95701-10110-09 | E-6-54 | HPNA-11135-000 | E-3-4 | HPZ1-31149-003 | E-19-12 |
| HCO-93500-05065-4J | FOP-8-2-39 | HCO-95801-08035-09 | F-10-66 | HPNA-12204-305 | E-9-20-2 | HPZ1-31153-003 | E-19-14 |
| HCO-93500-06018-4J | E-4-18 | HCO-96211-07000 | F-5-29 | HPNA-12205-305 | E-9-20-3 | HR40-14401-A01 | E-9-8 |
| HCO-93500-06025-4J | F-8-20-20 | HCO-96211-09000 | F-5-30 | HPNA-12341-000 | E-1-2 | HR40-14633-A00 | E-9-18 |
| HCO-93600-06016-0A | E-5-23 | HCO-96220-50080 | E-5-28 | HPNA-13111-010 | E-7-3 | HR40-15115-A01 | E-10-8 |
| HCO-93700-05050-4J | F-3-21 | HCO-96300-06025-00 | E-10-19 | HPNA-13321-003 | E-7-9 | HRAA-13620-A02 | E-7-12 |
| HCO-93901-250J0 | FOP-8-6-71 | HCO-96300-06032-00 | E-10-20 | HPNA-13322-003 | E-7- | HRAA-14624-A00 | E-9-16 |
| HCO-93901-251J0 | FOP-8-6-72 | HCO-9807B-5615P | E-20-4 | HPNA-13323-003 | E-7- | HRAA-14647-A00 | E-9-19 |
| HCO-93901-252J0 | FOP-8-6-73 | HCO-9807B-5615W | E-20- | HPNA-13324-003 | E-7- | HRAA-14765-A00 | E-9-26 |
| HCO-93903-254G0 | E-13-9 | HCO-9807B-5617P | E-20- | HPNA-13325-003 | E-7- | HRAA-15815-A02 | E-9-20-9 |
| HCO-93903-262J0 | FOP-8-6-74 | HCO-9807B-5617W | E-20- | HPNA-13326-003 | E-7- | HRAA-15845-A01 | E-9-20-13 |
| HCO-93905-255J0 | FOP-8-6-75 | HCO-98200-41000 | F-7-20-10 | HPNA-13341-003 | E-7-11 | HRAD-13410-010 | E-10-2 |
| HCO-93913-142J0 | F-8-13 | HCO-98200-41500 | F-7-20-11 | HPNA-13342-003 | E-7- | HRAD-13420-010 | E-10-3 |
| HCO-94001-04490-0S | FOP-12-8 | HCO-98200-43000 | F-7-20-12 | HPNA-13343-003 | E-7- | HRGM-14781-A01 | E-9-28 |
| HCO-94001-05490-0S | F-2-47 | HCO-99006-19000 | F-13-11 | HPNA-13344-003 | E-7- | HRNA-37260-A01 | E-3-16 |
| HCO-94001-05490-0S | FOP-8-35 | HCO-99008-02300 | F-13-12 | HPNA-13345-003 | E-7- | HRNA-37830-A01 | E-15-11 |
| HCO-94001-05490-0S | FOP-8-2-40 | HGE1-17357-670 | F-10-4 | HPNA-13346-003 | E-7- | HRAA-30520-007 | E-20-1 |
| HCO-94001-06080-0S | E-19-31 | HGEV-90650-003 | E-14-34 | HPNA-13432-000 | E-10-4 | HRTA-15400-004 | E-5-10 |
| HCO-94001-06490-0S | FOP-8-6-76 | HGHB-16163-610 | E-18-1 | HPNA-13441-004 | E-10-5 | HRWC-14540-A02 | E-9-13 |
| HCO-94001-12490-0S | F-10-63 | HHC4-90653-900 | F-8-20-17 | HPNA-13450-004 | E-10-6 | HS0A-91541-003 | E-3-38 |
| HCO-94002-05490-0S | FOP-8-6-77 | HHM0-91305-A00 | E-4-15 | HPNA-13460-004 | E-10-7 | HS0A-91541-003 | F-7-7 |
| HCO-94002-06490-0S | F-8-14 | HKJ2-90683-003 | F-8-20-18 | HPNA-13622-003 | E-7-13 | HS0A-91541-003 | F-7-10-17 |
| HCO-94103-05400 | FOP-6-25 | HKM3-32161-003 | F-3-2 | HPNA-14114-003 | E-9-3 | HS0A-90683-003 | E-18-1-15 |
| HCO-94103-05400 | FOP-6-1-18 | HKM3-32161-003 | F-7-2 | HPNA-14115-000 | E-9-4 | HSB2-90620-003 | F-7-10-15 |
| HCO-94109-20000 | E-5-24 | HKM3-32161-003 | F-10-7 | HPNA-14210-000 | E-9-6 | HSB2-90687-003 | E-14-35 |
| HCO-94109-20000 | E-9-20-26 | HKV7-17368-671 | E-18-12 | HPNA-14511-003 | E-9-10 | HSB2-90687-003 | F-7-10-16 |
| HCO-94111-04500 | FOP-12-9 | HMB0-91359-000 | F-4-33 | HPNA-14620-040 | E-9-14 | HSB6-91475-000 | FOP-8-6-66 |
| HCO-94111-05400 | FOP-6-26 | HMG9-35701-950 | F-8-10-1 | HPNA-14631-000 | E-9-17 | HSC2-90649-003 | FOP-6-24 |
| HCO-94111-05400 | FOP-6-1-19 | HMG9-35701-950 | FOP-8-6-40 | HPNA-14711-000 | E-9-20 | HSC2-90649-003 | FOP-6-1-17 |
| HCO-94301-06100 | E-6-47 | HMJ0-91301-003 | E-14-36 | HPNA-14744-004 | E-9-23 | HSDA-39794-004 | F-7-20-5 |

| | | | | | | | |
|--------------------------|------------|--------------------------|------------|----------------------------|-------------|--------------------------|------------|
| HSE0-53740-953. | E-18-18 | HZV5-32824-003. | FOP-11-4 | HZW1-40210-710 | F-3-20-3 | HZW4-90164-000 | E-21-21 |
| HSE0-91547-003. | E-18-27 | HZV5-35370-823. | FOP-8-6-39 | HZW1-41102-800 | F-3-4 | HZW4-90170-000 | E-4-11 |
| HSF1-91595-003. | E-15-23 | HZV5-36104-821. | F-10-67 | HZW1-41109-800 | F-3-9 | HZW4-90306-003 | F-10-44 |
| HSH3-91599-A32 | E-18-30 | HZV5-36136-821. | F-11-7 | HZW1-41116-800 | F-4-14 | HZW4-90401-000 | FOP-8-6-56 |
| HSM4-32134-003 | F-7-30-2 | HZV5-36180-033. | FOP-6-14 | HZW1-50111-010ZC | F-3-20-5 | HZW4-90402-000 | FOP-8-6-57 |
| HSM4-91558-003 | E-18-29 | HZV5-36180-033. | FOP-6-1-8 | HZW1-50156-010 | F-3-20-7 | HZW4-91301-003 | F-3-19 |
| HSP0-91546-A01 | E-9-10-28 | HZV5-36180-033. | FOP-8-6-41 | HZW1-50161-020ZC | F-3-20-8 | HZW5-06241-U00 | FOP-8-2 |
| HSP0-91546-A01 | E-13-7 | HZV5-38410-003. | FOP-6-20 | HZW1-50201-040ZC | F-10-15 | HZW5-06241-U10 | FOP-8-2-2 |
| HSTK-91540-003. | FOP-11-6 | HZV5-38410-003. | FOP-6-1-13 | HZW1-50214-000 | F-10-18 | HZW5-06900-U00 | FOP-9-1 |
| HSV1-91549-L01 | F-2-46 | HZV5-38410-003. | FOP-8-6-46 | HZW1-50301-070ZC | F-10-19 | HZW5-15113-000 | E-6-3 |
| HSV4-91540-003. | E-4-17 | HZV5-40102-000. | E-13-4 | HZW1-50311-070ZC | F-10-20 | HZW5-15331-003 | E-5-8 |
| HSZ5-91531-003. | E-13-6 | HZV5-40102-000. | E-15-15 | HZW1-50527-000 | F-10-24 | HZW5-15341-003 | E-5-9 |
| HVA9-87516-B50 | F-12-17 | HZV5-41171-000. | F-3-10 | HZW1-50529-000 | F-10-25 | HZW5-16081-010 | E-18-10-20 |
| HVD6-91360-003 | E-5-22 | HZV5-41172-000. | F-3-11 | HZW1-53238-010 | F-10-26 | HZW5-16086-000 | E-18-10-23 |
| HVMO-16965-771 | E-18-11 | HZV5-50214-003. | F-11-9 | HZW1-56110-701 | F-11-12 | HZW5-16087-000 | E-18-10-24 |
| HVMO-16965-771 | F-7-30-1 | HZV5-50522-000. | F-10-23 | HZW1-56113-701 | F-11-13 | HZW5-16708-003 | E-18-10-28 |
| HVMO-46391-003 | F-2-24 | HZV5-56117-821. | F-11-17 | HZW1-56115-305 | F-11-14 | HZW5-16715-023 | E-18-10-29 |
| HZB5-90626-730. | F-10-69 | HZV5-56118-820. | F-10-68 | HZW1-56116-701 | F-11-16 | HZW5-16733-000 | E-18-10-34 |
| HZCO-63515-700 | F-8-10-21 | HZV5-56513-000. | F-11-23 | HZW1-56120-305 | F-11-18 | HZW5-16735-003 | E-18-10-37 |
| HZE2-16731-003. | E-18-1-1 | HZV5-90081-010. | E-5-19 | HZW1-56130-702 | F-11-20 | HZW5-16915-000 | E-18-9 |
| HZE2-90601-000. | E-6-39 | HZV5-90119-000. | F-3-20-13 | HZW1-56180-701 | F-11-22 | HZW5-24810-U01 | FOP-8-3 |
| HZV0-90604-000. | E-18-24 | HZV5-90119-000. | F-10-37 | HZW1-56516-000 | F-10-28 | HZW5-24810-U01 | FOP-8-2-3 |
| HZV0-90604-000. | E-18-1-14 | HZV5-90119-000. | F-11-31 | HZW1-56532-000 | F-11-24 | HZW5-24810-U11 | FOP-8-2-4 |
| HZV1-24210-010. | F-10-5 | HZV5-90125-000. | FOP-8-6-53 | HZW1-56539-000 | F-10-29 | HZW5-24811-U01 | FOP-8-4 |
| HZV1-90127-010. | E-15-20 | HZV5-90127-003. | F-10-38 | HZW1-56851-703 | F-11-25 | HZW5-24811-U01 | FOP-8-2-5 |
| HZV3-90601-030. | E-15-21 | HZV5-90131-000. | E-6-37 | HZW1-56860-701 | F-11-26 | HZW5-24812-U01 | FOP-8-5 |
| HZV4-17704-010. | F-9-16 | HZV5-90302-003. | F-2-32 | HZW1-87538-721 | F-12-12 | HZW5-24812-U01 | FOP-8-2-6 |
| HZV4-24221-010. | F-10-6 | HZV5-90304-013. | F-10-41 | HZW1-90013-000 | E-13-5 | HZW5-24813-U01 | FOP-8-6 |
| HZV4-36182-651. | FOP-6-15 | HZV5-90307-003. | F-10-45 | HZW1-90013-000 | E-15-17 | HZW5-24813-U01 | FOP-8-2-7 |
| HZV4-36182-651. | FOP-6-1-9 | HZV5-90501-000. | F-10-46 | HZW1-90014-000 | E-14-23 | HZW5-24813-U21 | FOP-8-2-8 |
| HZV4-36182-651. | FOP-8-6-42 | HZV5-90502-000. | F-10-47 | HZW1-90014-000 | E-18-20 | HZW5-24814-U01 | FOP-8-7 |
| HZV4-36187-652. | FOP-6-16 | HZV5-90504-000. | F-10-48 | HZW1-90014-000 | E-18-10-46 | HZW5-24814-U01 | FOP-8-2-9 |
| HZV4-36187-652. | FOP-6-1-10 | HZV5-90552-000. | F-10-51 | HZW1-90102-000 | F-10-31 | HZW5-24815-U01 | FOP-8-8 |
| HZV4-36187-652. | FOP-8-6-43 | HZV5-90557-000. | FOP-8-6-62 | HZW1-90105-000 | F-10-33 | HZW5-24816-U01 | FOP-8-9 |
| HZV4-90302-000. | F-3-17 | HZV5-90559-000. | E-6-38 | HZW1-90106-004 | E-21-19 | HZW5-24816-U01 | FOP-8-2-10 |
| HZV4-90304-000. | FOP-8-6-55 | HZV5-90559-000. | F-10-52 | HZW1-90107-004 | E-21-20 | HZW5-24816-U01 | FOP-8-4-8 |
| HZV4-90502-000. | FOP-8-31 | HZV5-90559-000. | F-10-53 | HZW1-90108-000 | F-10-35 | HZW5-24817-U01 | FOP-8-10 |
| HZV4-90502-000. | FOP-8-2-36 | HZV5-90563-000. | F-5-18 | HZW1-90113-702 | F-11-27 | HZW5-24817-U01 | FOP-8-2-11 |
| HZV4-90502-000. | FOP-8-6-58 | HZV5-90563-000. | F-10-54 | HZW1-90114-702 | F-11-28 | HZW5-24818-U01 | FOP-8-11 |
| HZV4-90512-000. | F-2-36 | HZV5-90651-000. | F-10-57 | HZW1-90115-702 | F-11-29 | HZW5-24818-U01 | FOP-8-2-12 |
| HZV4-90514-000. | F-10-49 | HZV5-90751-000. | FOP-8-6-63 | HZW1-90116-702 | F-11-30 | HZW5-24819-U01 | FOP-8-12 |
| HZV5-12155-000. | E-4-1 | HZV5-90756-000. | F-3-18 | HZW1-90203-000 | F-7-10-13 | HZW5-24819-U01 | FOP-8-2-13 |
| HZV5-16881-000. | E-18-7 | HZV5-90756-000. | F-3-20-18 | HZW1-90242-000 | F-4-20 | HZW5-24825-U01 | FOP-8-14 |
| HZV5-17838-000. | F-2-1 | HZV5-90756-000. | F-4-25 | HZW1-90301-800 | F-5-13 | HZW5-24825-U01 | FOP-8-2-15 |
| HZV5-24811-010. | FOP-8-6-2 | HZV5-90772-000. | FOP-8-6-64 | HZW1-90304-013 | F-10-42 | HZW5-24826-U01 | FOP-8-15 |
| HZV5-24812-000. | FOP-8-6-3 | HZV5-91151-000. | FOP-8-6-65 | HZW1-90501-710 | F-3-20-15 | HZW5-24826-U01 | FOP-8-2-16 |
| HZV5-24813-000. | FOP-8-6-4 | HZV5-91203-821. | F-11-33 | HZW1-90518-800 | F-4-23 | HZW5-24826-U01 | FOP-8-4-10 |
| HZV5-24814-010. | FOP-8-6-5 | HZV5-91256-003. | F-10-60 | HZW1-90519-800 | F-4- | HZW5-24831-U01 | FOP-8-16 |
| HZV5-24815-010. | FOP-8-6-6 | HZV5-91302-821. | F-11-35 | HZW1-90520-800 | F-4- | HZW5-24832-U01 | FOP-8-2-17 |
| HZV5-24816-000. | FOP-8-6-7 | HZV5-91316-821. | F-11-36 | HZW1-90521-800 | F-4- | HZW5-24831-U01 | FOP-8-4-12 |
| HZV5-24817-000. | FOP-8-6-8 | HZV5-91352-000. | F-10-61 | HZW1-90559-000 | F-3-20-16 | HZW5-24832-U01 | FOP-8-17 |
| HZV5-24818-003. | FOP-8-6-9 | HZV5-91553-010. | E-13-8 | HZW1-90551-710 | F-3-20-17 | HZW5-24832-U01 | FOP-8-2-18 |
| HZV5-24820-010. | FOP-8-6-10 | HZV5-91553-010. | E-15-22 | HZW1-90652-702 | F-11-32 | HZW5-24832-U01 | FOP-8-4-13 |
| HZV5-24830-010. | FOP-8-6-11 | HZV5-91553-010. | E-20-10-6 | HZW1-90752-B02 | F-4-24 | HZW5-24834-U01 | FOP-8-18 |
| HZV5-24836-000. | FOP-8-6-12 | HZV5-91553-010. | F-7-10-18 | HZW1-90752-B02 | FOP-10-4 | HZW5-24834-U21 | FOP-8-2-19 |
| HZV5-24841-000. | FOP-8-6-13 | HZV5-91560-000. | F-10-62 | HZW1-90752-B02 | FOP-10-1-9 | HZW5-31217-003 | E-21-5 |
| HZV5-24845-000. | FOP-8-6-14 | HZV5-91567-000. | FOP-8-6-67 | HZW1-90758-B00 | F-5-19 | HZW5-31631-003 | E-19-16 |
| HZV5-24850-000. | FOP-8-6-15 | HZV5-91570-000. | FOP-8-6-68 | HZW1-91054-B31 | F-4-27 | HZW5-31639-003 | E-19-19 |
| HZV5-24854-000. | FOP-8-6-16 | HZV7-90508-000. | F-2-35 | HZW1-91101-003 | F-5-25 | HZW5-31644-003 | E-19-20 |
| HZV5-24855-000. | FOP-8-6-17 | HZV7-90951-010. | F-10-59 | HZW1-91207-013 | F-11-34 | HZW5-31710-003 | E-19-21 |
| HZV5-24860-000. | FOP-8-6-18 | HZW1-06411-020 | F-10-1 | HZW1-91352-702 | F-11-37 | HZW5-32168-003 | E-18-10-44 |
| HZV5-24865-000. | FOP-8-6-19 | HZW1-12217-010 | E-5-1 | HZW1-91353-703 | F-11-38 | HZW5-35370-U02 | FOP-8-20 |
| HZV5-24875-000. | FOP-8-6-20 | HZW1-15665-020 | E-6-6 | HZW1-91354-701 | F-11-39 | HZW5-35370-U02 | FOP-8-2-22 |
| HZV5-24876-000. | FOP-8-6-21 | HZW1-19210-B04 | F-4-2 | HZW1-91355-701 | F-11-40 | HZW5-35370-U12 | FOP-8-2-23 |
| HZV5-24878-000. | FOP-8-6-22 | HZW1-19210-B04 | FOP-10-2 | HZW1-91356-B00 | F-4-32 | HZW5-35673-003 | E-9-10-11 |
| HZV5-24881-000. | FOP-8-6-23 | HZW1-19210-B04 | FOP-10-1-2 | HZW1-91356-B00 | FOP-10-5 | HZW5-50151-000 | F-10-12 |
| HZV5-24883-000. | FOP-8-6-24 | HZW1-19223-B00 | F-4-4 | HZW1-91356-B00 | FOP-10-1-10 | HZW5-50155-000 | F-3-20-6 |
| HZV5-24884-000. | FOP-8-6-25 | HZW1-19223-B00 | FOP-10-1-4 | HZW1-91357-701 | F-11-41 | HZW5-50341-010 | F-10-21 |
| HZV5-24885-000. | FOP-8-6-26 | HZW1-19252-000 | E-6-12 | HZW1-91358-701 | F-11-42 | HZW5-90002-013 | E-5-14 |
| HZV5-24887-000. | FOP-8-6-27 | HZW1-19253-B01 | F-4-8 | HZW1-91361-701 | F-11-43 | HZW5-90011-010 | E-19-23 |
| HZV5-24891-000. | FOP-8-6-28 | HZW1-19253-B01 | FOP-10-1-7 | HZW1-91554-000 | E-14-39 | HZW5-90018-000 | E-5-18 |
| HZV5-24892-000. | FOP-8-6-29 | HZW1-19286-B00 | F-3-1 | HZW1-91554-000 | E-18-28 | HZW5-90018-000 | E-9-20-21 |
| HZV5-24894-000. | FOP-8-6-30 | HZW1-24102-B00 | F-5-2 | HZW1-91554-000 | E-18-10-53 | HZW5-90018-000 | E-20-10-5 |
| HZV5-24895-000. | FOP-8-6-31 | HZW1-24103-B00 | F-5-3 | HZW1-91557-701 | F-11-44 | HZW5-90018-000 | F-7-20-8 |
| HZV5-24897-000. | FOP-8-6-32 | HZW1-24327-000 | F-2-11 | HZW2-90003-000 | E-20-10-4 | HZW5-90018-000 | FOP-9-2 |
| HZV5-24898-000. | FOP-8-6-33 | HZW1-31229-004 | E-21-8 | HZW2-90301-F00 | E-14-33 | HZW5-90101-U00 | FOP-8-22 |
| HZV5-32823-003. | FOP-6-10 | HZW1-31247-004 | E-21-15 | HZW4-90108-000 | FOP-8-6-52 | HZW5-90101-U00 | FOP-8-2-25 |
| HZV5-32823-003. | FOP-6-1-5 | HZW1-31249-004 | E-21-16 | HZW4-90126-000 | E-14-30 | HZW5-90101-U00 | FOP-8-4-20 |
| HZV5-32823-003. | FOP-8-6-35 | HZW1-31250-004 | E-21-17 | HZW4-90151-000 | E-14-31 | HZW5-90102-U00 | FOP-8-23 |
| HZV5-32823-003. | FOP-11-3 | HZW1-31261-004 | E-21-18 | HZW4-90156-000 | E-3-26 | HZW5-90102-U00 | FOP-8-2-26 |
| HZV5-32824-003. | FOP-6-11 | HZW1-38551-000 | F-7-10-8 | HZW4-90162-000 | E-3-27 | HZW5-90103-U01 | FOP-8-24 |
| HZV5-32824-003. | FOP-6-1-6 | HZW1-40107-700 | F-8-10-3 | HZW4-90162-000 | E-9-10-21 | HZW5-90103-U01 | FOP-8-2-27 |
| HZV5-32824-003. | FOP-8-6-36 | HZW1-40204-000 | F-4-12 | HZW4-90163-000 | E-19-28 | HZW5-90104-U00 | FOP-8-25 |

| | | | | | | | |
|--------------------------|------------|----------------------------|------------|----------------------------|------------|----------------------------|------------|
| HZW5-90104-U00 | FOP-8-2-28 | HZX1-63100-R00ZA | F-8-1 | HZY3-58130-V31ZA | F-5- | HZY6-11912-000 | E-19-1 |
| HZW5-90105-U01 | FOP-8-26 | HZX1-87132-R00 | F-12-4 | HZY3-58130-V41ZA | F-5- | HZY6-12000-415ZA | E-3-6 |
| HZW5-90105-U01 | FOP-8-2-29 | HZX1-87133-R00 | F-12-16 | HZY3-58130-V51ZA | F-5- | HZY6-12251-003 | E-9-20-6 |
| HZW5-90106-U00 | FOP-8-27 | HZX1-90101-R00 | F-8-7 | HZY3-63107-000 | F-8-3 | HZY6-12310-010ZA | E-1-1 |
| HZW5-90106-U00 | FOP-8-2-30 | HZX1-90133-R00 | F-8-9 | HZY3-63108-000 | F-8-4 | HZY6-12500-000 | E-1-4 |
| HZW5-90107-U00 | FOP-8-28 | HZX2-41107-C00ZC | F-3-8 | HZY3-63119-000 | F-8-5 | HZY6-13010-000 | E-7-1 |
| HZW5-90107-U00 | FOP-8-2-31 | HZX2-90129-000 | F-10-39 | HZY3-63201-000ZC | F-8-10-10 | HZY6-13101-000 | E-7-2 |
| HZW5-90108-U00 | FOP-8-2-32 | HZY1-90205-000 | F-3-16 | HZY3-63205-000 | F-2-25 | HZY6-13102-000 | E-7- |
| HZW5-90109-000 | FOP-6-22 | HZY1-90650-003 | FOP-11-5 | HZY3-63205-000 | F-8-10-11 | HZY6-13211-004 | E-7-7 |
| HZW5-90109-000 | FOP-6-1-15 | HZY3-06177-U02 | FOP-1-1 | HZY3-63208-000 | F-8-10-13 | HZY6-13212-004 | E-7- |
| HZW5-90203-010 | E-19-29 | HZY3-16011-000 | E-18-10-1 | HZY3-63212-000 | F-8-10-14 | HZY6-13213-004 | E-7- |
| HZW5-90301-U00 | FOP-8-29 | HZY3-16013-000 | E-18-10-2 | HZY3-63224-000 | F-8-10-17 | HZY6-13214-004 | E-7- |
| HZW5-90301-U00 | FOP-8-2-33 | HZY3-16024-000 | E-18-10-7 | HZY3-63260-000 | F-8-10-20 | HZY6-13215-004 | E-7- |
| HZW5-90302-003 | F-3-20-14 | HZY3-16026-000 | E-18-10-8 | HZY3-90016-000 | E-9-10-15 | HZY6-13216-004 | E-7- |
| HZW5-90302-003 | F-10-40 | HZY3-16041-000 | E-18-10-10 | HZY3-90017-000 | E-9-10-16 | HZY6-13217-004 | E-7- |
| HZW5-90302-U21 | FOP-8-2-34 | HZY3-16042-000 | E-18-10-11 | HZY3-90017-000 | E-9-20-20 | HZY6-13331-013 | E-7-10 |
| HZW5-90303-000 | F-4-21 | HZY3-16061-000 | E-18-10-12 | HZY3-90017-000 | E-18-10-48 | HZY6-13400-000 | E-10-1 |
| HZW5-90304-000 | F-10-43 | HZY3-16072-000 | E-18-10-13 | HZY3-90017-000 | E-19-24 | HZY6-13811-000 | E-7-14 |
| HZW5-90501-U00 | FOP-8-30 | HZY3-16073-000 | E-18-10-14 | HZY3-90017-000 | F-2-27 | HZY6-14110-000 | E-9-2 |
| HZW5-90501-U00 | FOP-8-2-35 | HZY3-16074-000 | E-18-10-15 | HZY3-90021-000 | E-4-9 | HZY6-14120-000 | E-9-5 |
| HZW5-90501-U00 | FOP-8-4-26 | HZY3-16075-000 | E-18-10-16 | HZY3-90021-000 | E-9-10-17 | HZY6-14311-000 | E-9-7 |
| HZW5-90502-U00 | FOP-8-32 | HZY3-16076-000 | E-18-10-17 | HZY3-90021-000 | E-9-20-22 | HZY6-14510-003 | E-9-9 |
| HZW5-90502-U00 | FOP-8-2-37 | HZY3-16077-000 | E-18-10-18 | HZY3-90021-000 | E-14-24 | HZY6-14751-003 | E-9-24 |
| HZW5-90503-U00 | FOP-8-33 | HZY3-16078-000 | E-18-10-19 | HZY3-90021-000 | E-18-1-13 | HZY6-15100-000ZA | E-5-2 |
| HZW5-90503-U00 | FOP-8-2-38 | HZY3-16082-000 | E-18-10-21 | HZY3-90021-000 | F-2-28 | HZY6-15112-000 | E-5-3 |
| HZW5-90509-711 | F-5-15 | HZY3-16083-000 | E-18-10-22 | HZY3-90026-000 | E-3-23 | HZY6-15121-000 | E-5-4 |
| HZW5-90511-U00 | FOP-9-3 | HZY3-16087-000 | E-18-10-25 | HZY3-90026-000 | E-19-25 | HZY6-15152-000 | E-3-7 |
| HZW5-90512-U00 | FOP-9-4 | HZY3-16088-000 | E-18-10-26 | HZY3-90028-000 | F-2-29 | HZY6-15220-010 | E-6-4 |
| HZW5-90601-030 | E-18-22 | HZY3-16721-000 | E-18-10-31 | HZY3-90030-000 | E-4-10 | HZY6-15299-000 | E-3-10 |
| HZW5-90602-030 | F-9-12 | HZY3-16733-000 | E-18-10-35 | HZY3-90030-000 | E-6-32 | HZY6-15410-010ZA | E-5-11 |
| HZW5-91056-003 | F-5-24 | HZY3-16752-000 | E-14-8 | HZY3-90030-000 | F-7-10-11 | HZY6-15425-010 | E-4-10-1 |
| HZW5-91201-003 | E-5-20 | HZY3-16752-000 | E-18-10-39 | HZY3-90030-000 | F-8-10-23 | HZY6-15655-000 | E-6-5 |
| HZW5-91202-003 | E-6-43 | HZY3-16807-003 | E-18-1-4 | HZY3-90035-000 | E-19-26 | HZY6-15810-013ZA | E-9-20-8 |
| HZW5-91251-003 | F-2-43 | HZY3-16900-003 | E-18-1-5 | HZY3-90040-000 | E-9-10-19 | HZY6-15834-000 | E-9-20-11 |
| HZW7-24810-U01 | FOP-8-4-2 | HZY3-16901-003 | E-18-1-6 | HZY3-90042-000 | E-14-25 | HZY6-15840-000ZA | E-9-20-12 |
| HZW7-24811-U01 | FOP-8-4-3 | HZY3-16904-003 | E-18-1-7 | HZY3-90046-000 | E-6-34 | HZY6-16014-003 | E-18-10-3 |
| HZW7-24812-U01 | FOP-8-4-4 | HZY3-16911-010 | E-18-10-41 | HZY3-90049-000 | E-18-10-49 | HZY6-16016-003 | E-15-1 |
| HZW7-24813-U01 | FOP-8-4-5 | HZY3-16912-003 | E-18-1-8 | HZY3-90054-000 | E-3-24 | HZY6-16017-043 | E-18-10-4 |
| HZW7-24814-U01 | FOP-8-4-6 | HZY3-16913-000 | E-18-10-42 | HZY3-90054-000 | E-14-29 | HZY6-16019-003 | E-18-10-5 |
| HZW7-24815-U01 | FOP-8-4-7 | HZY3-16915-010 | E-18-1-10 | HZY3-90055-000 | E-19-27 | HZY6-16020-023 | E-18-10-6 |
| HZW7-24817-U01 | FOP-8-4-9 | HZY3-16918-003 | E-18-1-11 | HZY3-90056-000 | E-6-35 | HZY6-16036-003 | E-18-10-9 |
| HZW7-24832-U01 | FOP-8-4-14 | HZY3-16919-003 | E-18-1-12 | HZY3-90056-000 | E-15-19 | HZY6-16089-000 | E-14-1 |
| HZW7-24833-U01 | FOP-8-4-15 | HZY3-17738-000 | F-9-8 | HZY3-90084-000 | E-1-5 | HZY6-16196-000 | E-18-2 |
| HZW7-32530-U00 | FOP-8-19 | HZY3-17748-U01 | FOP-1-2 | HZY3-90084-000 | E-20-3 | HZY6-16198-000 | E-18-3 |
| HZW7-32530-U00 | FOP-8-2-20 | HZY3-17749-U01 | FOP-1-3 | HZY3-90107-000 | F-7-10-12 | HZY6-16199-000 | E-18-4 |
| HZW7-32530-U10 | FOP-8-2-21 | HZY3-19270-000 | F-9-9 | HZY3-90109-010 | F-8-8 | HZY6-16400-013 | E-15-2 |
| HZW7-32530-U20 | FOP-8-4-16 | HZY3-19271-000 | F-9-10 | HZY3-90111-000 | F-8-20-14 | HZY6-16450-003 | E-14-2 |
| HZW7-35370-U02 | FOP-8-4-17 | HZY3-19272-000 | F-9-11 | HZY3-90120-000 | F-3-14 | HZY6-16451-000 | E-14-3 |
| HZW7-87703-U00 | FOP-8-4-19 | HZY3-19300-023 | E-9-10-3 | HZY3-90204-000 | E-3-28 | HZY6-16621-000 | E-14-4 |
| HZW7-90101-U01 | FOP-8-4-21 | HZY3-23173-010 | E-6-24 | HZY3-90205-000 | E-14-32 | HZY6-16700-013 | E-18-5 |
| HZW7-90102-U01 | FOP-8-4-22 | HZY3-24318-000 | F-4-10 | HZY3-90304-000 | F-7-5 | HZY6-16701-003 | E-18-10-27 |
| HZW7-90103-U01 | FOP-8-4-23 | HZY3-24618-000 | F-2-15 | HZY3-90405-000 | F-7-10-14 | HZY6-16718-013 | E-18-10-30 |
| HZW7-90104-U01 | FOP-8-4-24 | HZY3-24619-000 | F-2-17 | HZY3-90506-000 | F-5-14 | HZY6-16723-003 | E-18-10-32 |
| HZW7-90301-U01 | FOP-8-4-25 | HZY3-30280-003 | F-11-1 | HZY3-90507-000 | F-2-34 | HZY6-16730-063 | E-18-10-33 |
| HZW7-90502-U00 | FOP-8-4-27 | HZY3-31106-003 | F-11-2 | HZY3-90507-000 | F-8-11 | HZY6-16734-003 | E-18-10-36 |
| HZW9-19279-000 | E-6-16 | HZY3-31116-000 | E-5-13 | HZY3-90512-000 | F-5-16 | HZY6-16736-003 | E-18-10-38 |
| HZW9-19291-000 | E-6-18 | HZY3-31207-003 | E-21-2 | HZY3-90528-000 | F-5-17 | HZY6-16740-003 | E-14-5 |
| HZW9-19297-000 | E-6-20 | HZY3-31246-003 | E-21-14 | HZY3-90529-000 | F-5- | HZY6-16744-010 | E-14-6 |
| HZW9-19317-000 | E-6-21 | HZY3-32128-000 | E-15-10 | HZY3-90530-000 | F-5- | HZY6-16748-000 | E-14-7 |
| HZW9-32114-730 | E-3-13 | HZY3-32411-003 | F-7-10-3 | HZY3-90531-000 | F-5- | HZY6-16752-000 | E-14-9 |
| HZW9-87702-800 | FOP-8-6-49 | HZY3-35470-023 | F-2-22 | HZY3-90601-030 | E-4-10-8 | HZY6-16755-003 | E-18-6 |
| HZW9-90008-000 | FOP-8-6-50 | HZY3-35645-000 | F-8-20-3 | HZY3-90601-030 | E-6-40 | HZY6-16800-003 | E-18-1-2 |
| HZW9-90009-000 | F-10-30 | HZY3-35673-003 | E-3-15 | HZY3-90602-020 | E-4-10-9 | HZY6-16805-003 | E-18-1-3 |
| HZW9-90011-000 | E-3-21 | HZY3-35673-003 | E-4-7 | HZY3-90653-003 | F-7-6 | HZY6-16840-A00 | E-18-10-40 |
| HZW9-90011-000 | E-9-10-14 | HZY3-35673-003 | E-9-10-12 | HZY3-90751-000 | F-2-38 | HZY6-16850-000 | F-9-1 |
| HZW9-90011-000 | F-7-10-9 | HZY3-36122-013 | F-11-4 | HZY3-91001-003 | E-6-42 | HZY6-16860-000 | F-9-2 |
| HZW9-90013-000 | F-7-4 | HZY3-36123-013 | F-11-5 | HZY3-91152-003 | F-2-42 | HZY6-16871-000 | F-9-3 |
| HZW9-90013-000 | F-7-10-10 | HZY3-36163-003 | E-14-16 | HZY3-91254-003 | F-4-30 | HZY6-16880-030 | F-9-4 |
| HZW9-90013-000 | F-7-20-7 | HZY3-40119-003 | F-8-10-4 | HZY3-91255-003 | F-2-44 | HZY6-16881-000 | F-9-5 |
| HZW9-90016-000 | E-3-22 | HZY3-40219-013 | F-11-8 | HZY3-91303-000 | E-21-22 | HZY6-16890-000 | F-9-6 |
| HZW9-90016-000 | E-5-17 | HZY3-50381-000 | F-10-22 | HZY3-91351-003 | F-5-27 | HZY6-16914-010 | E-18-1-9 |
| HZW9-90016-000 | E-6-27 | HZY3-50388-U00 | FOP-7-1 | HZY3-91556-000 | F-8-12 | HZY6-17051-000ZA | E-14-10 |
| HZW9-90016-000 | E-18-21 | HZY3-50388-U10 | FOP-7-2 | HZY6-06122-010ZA | E-9-20-1 | HZY6-17105-000 | E-14-12 |
| HZW9-90016-000 | E-18-10-47 | HZY3-56170-013 | F-11-21 | HZY6-06192-000 | FOP-10-1 | HZY6-17109-000 | E-14-13 |
| HZW9-90101-003 | F-3-12 | HZY3-58130-T00 | F-5-11 | HZY6-06193-A01 | FOP-10-1-1 | HZY6-17110-003 | E-14-14 |
| HZW9-90102-000 | E-6-36 | HZY3-58130-T10 | F-5- | HZY6-06411-000 | F-10-2 | HZY6-17371-020 | E-15-5 |
| HZW9-90102-000 | F-2-30 | HZY3-58130-T20 | F-5- | HZY6-06532-U00 | F-10-3 | HZY6-17374-000 | E-15-6 |
| HZW9-90103-010 | F-3-20-10 | HZY3-58130-T30 | F-5- | HZY6-11100-405 | E-3-1 | HZY6-17397-013 | E-15-7 |
| HZW9-90105-000 | E-6-28 | HZY3-58130-T40 | F-5- | HZY6-11321-010ZB | E-6-1 | HZY6-17398-000 | E-15-8 |
| HZW9-90105-000 | F-2-31 | HZY3-58130-T50 | F-5- | HZY6-11381-010 | E-6-2 | HZY6-17431-000 | E-13-1 |
| HZW9-90105-000 | F-4-18 | HZY3-58130-V01ZA | F-5- | HZY6-11410-425ZA | E-9-10-1 | HZY6-17432-000 | E-13-2 |
| HZW9-90105-000 | F-10-34 | HZY3-58130-V11ZA | F-5- | HZY6-11412-000 | E-9-10-2 | HZY6-17723-020 | E-18-13 |
| HZW9-90506-000 | F-8-10-27 | HZY3-58130-V21ZA | F-5- | HZY6-11911-000 | E-3-5 | HZY6-17840-000 | F-2-2 |

HZY6-17845-000. F-2-3
 HZY6-17860-000. F-2-4
 HZY6-17877-010. F-2-5
 HZY6-17931-000. F-2-6
 HZY6-18110-415ZA. E-4-2
 HZY6-18112-030ZA. E-4-3
 HZY6-18115-003. E-4-4
 HZY6-18130-000ZA. E-6-8
 HZY6-18135-003. E-6-9
 HZY6-18211-000. E-6-10
 HZY6-18212-000. E-6-11
 HZY6-19221-A00. F-4-3
 HZY6-19221-A00. FOP-10-1-3
 HZY6-19231-000. F-4-5
 HZY6-19231-000. FOP-10-1-5
 HZY6-19234-000. F-4-6
 HZY6-19234-000. FOP-10-3
 HZY6-19234-000. FOP-10-1-6
 HZY6-19251-000. F-4-7
 HZY6-19251-611. F-4
 HZY6-19254-000. E-6-13
 HZY6-19256-000. E-6-14
 HZY6-19260-020. E-4-10-3
 HZY6-19261-010. E-4-10-4
 HZY6-19262-010. E-4-10-5
 HZY6-19263-000. E-4-10-6
 HZY6-19266-000. E-4-10-7
 HZY6-19267-010. E-18-14
 HZY6-19268-000. E-4-5
 HZY6-19269-000. E-18-15
 HZY6-19273-000. E-18-16
 HZY6-19289-000. F-8-20-1
 HZY6-19290-003. E-6-17
 HZY6-19295-000. E-6-19
 HZY6-19300-003. E-9-10-4
 HZY6-19313-000ZB. E-9-10-5
 HZY6-19315-010. E-9-10-6
 HZY6-19318-010. E-9-10-7
 HZY6-19319-000. E-9-10-8
 HZY6-23170-000ZA. E-6-22
 HZY6-23172-000. E-6-23
 HZY6-24101-000. F-5-1
 HZY6-24122-000. F-5-4
 HZY6-24123-000. F-5-5
 HZY6-24124-000. F-5-6
 HZY6-24166-000. F-2-8
 HZY6-24218-000. F-2-9
 HZY6-24310-000. F-4-9
 HZY6-24320-000. F-2-10
 HZY6-24320-610. F-2
 HZY6-24343-000. F-4-11
 HZY6-24610-000. F-2-12
 HZY6-24612-020. F-2-13
 HZY6-24614-000. F-2-14
 HZY6-24618-000. F-2-16
 HZY6-24620-000. F-2-18
 HZY6-24628-000. F-2-19
 HZY6-24629-000ZA. F-2-20
 HZY6-30410-000. E-20-10-1
 HZY6-30530-003. E-3-12
 HZY6-31110-000ZA. E-5-12
 HZY6-31200-003. E-21-1
 HZY6-31216-003. E-21-4
 HZY6-31226-003. E-21-7
 HZY6-31231-003. E-21-9
 HZY6-31235-003. E-21-10
 HZY6-31236-003. E-21-11
 HZY6-31240-003. E-21-12
 HZY6-31242-003. E-21-13
 HZY6-31630-003. E-19-15
 HZY6-31636-010. E-19-17
 HZY6-31637-000. E-19-18
 HZY6-31638-003. E-13-3
 HZY6-31750-003. E-19-22
 HZY6-32100-070. F-7-1
 HZY6-32101-000. F-7-10-1
 HZY6-32111-000. E-14-15
 HZY6-32112-000. E-9-10-9
 HZY6-32113-000. E-9-10-10
 HZY6-32114-010. E-3-14
 HZY6-32115-000. E-15-9
 HZY6-32116-000. E-9-20-14
 HZY6-32166-003. E-18-10-43
 HZY6-32370-004. F-7-20-1
 HZY6-32371-004. F-7-20-2
 HZY6-32410-020. F-7-10-2
 HZY6-32414-300. F-7-3
 HZY6-32414-300. F-7-10-4
 HZY6-32414-640. F-7-10-5
 HZY6-32418-000. F-2-21
 HZY6-32419-000. F-7-10-6
 HZY6-34750-053. E-20-10-3
 HZY6-35475-000. F-2-23
 HZY6-35640-003. F-8-20-2
 HZY6-35660-013. F-10-8
 HZY6-35668-003. E-4-6
 HZY6-36104-003. F-10-9
 HZY6-36120-013. F-11-3
 HZY6-36129-013. F-11-6
 HZY6-36135-003. E-18-17
 HZY6-36364-000. E-14-17
 HZY6-36366-000. E-14-18
 HZY6-36550-003. E-14-20
 HZY6-36551-003. E-14-21
 HZY6-37521-000. E-9-20-16
 HZY6-38228-003. F-7-20-3
 HZY6-38235-004. F-7-20-4
 HZY6-38550-003. F-7-10-7
 HZY6-38552-000. E-3-17
 HZY6-39794-003. F-7-20-6
 HZY6-40105-020. F-8-10-2
 HZY6-40114-010. F-8-20-4
 HZY6-40116-000. F-8-20-5
 HZY6-40151-010ZD. F-8-20-6
 HZY6-40152-300. F-8-20-7
 HZY6-40154-000ZC. F-8-10-5
 HZY6-40155-000. F-8-10-6
 HZY6-40157-000. F-8-10-7
 HZY6-40201-000ZC. F-3-20-2
 HZY6-40201-611ZC. F-3-20
 HZY6-40212-020ZC. F-8-20-8
 HZY6-40219-023. F-3-20-4
 HZY6-41100-040ZC. F-3-10-1
 HZY6-41100-614ZC. F-3-10
 HZY6-41101-020ZC. F-3-3
 HZY6-41104-010. F-3-6
 HZY6-41105-010. F-3-7
 HZY6-41112-010. F-4-13
 HZY6-41112-611. F-4
 HZY6-41131-000. F-4-16
 HZY6-41140-000. F-5-7
 HZY6-41151-000. F-5-8
 HZY6-41161-000. F-5-9
 HZY6-41173-000. F-10-10
 HZY6-41201-000ZC. F-5-10
 HZY6-50100-000. F-10-11
 HZY6-50167-000. F-10-13
 HZY6-50168-003. F-10-14
 HZY6-50209-000. F-10-16
 HZY6-56000-043. F-11-10
 HZY6-56100-013. F-11-11
 HZY6-56118-000. F-10-27
 HZY6-60180-003. F-8-10-8
 HZY6-60185-003. F-8-10-9
 HZY6-63102-010. F-8-2
 HZY6-63144-000. F-8-6
 HZY6-63205-000. F-8-10-12
 HZY6-63212-000. F-8-10-15
 HZY6-63223-000. F-8-10-16
 HZY6-63225-000. F-8-10-18
 HZY6-63240-000. F-8-10-19
 HZY6-63711-010ZC. F-8-20-9
 HZY6-63716-010ZC. F-8-20-10
 HZY6-63718-000. F-8-20-11
 HZY6-63719-000. F-8-20-12
 HZY6-82873-000. F-8-20-13
 HZY6-87117-640. F-12
 HZY6-87117-U80. F-12-1
 HZY6-87121-R00. F-12-3
 HZY6-87531-620. F-12-11
 HZY6-89216-000. F-13-5
 HZY6-90001-000. E-3-18
 HZY6-90001-000. F-8-10-22
 HZY6-90002-000. E-6-25
 HZY6-90002-000. F-3-20-9
 HZY6-90005-000. E-3-19
 HZY6-90006-000. E-15-16
 HZY6-90010-000. E-18-19
 HZY6-90011-000. E-9-20-19
 HZY6-90013-000. E-4-8
 HZY6-90014-000. E-6-26
 HZY6-90017-000. E-6-29
 HZY6-90018-000. E-6-30
 HZY6-90019-000. E-6-31
 HZY6-90020-000. E-10-10
 HZY6-90023-000. E-9-10-18
 HZY6-90043-000. E-14-26
 HZY6-90045-000. E-6-33
 HZY6-90047-000. E-14-27
 HZY6-90048-010. E-9-20-23
 HZY6-90049-000. E-14-28
 HZY6-90059-000. E-9-10-20
 HZY6-90082-003. E-3-25
 HZY6-90102-000. F-10-32
 HZY6-90103-000. F-3-13
 HZY6-90104-000. F-5-12
 HZY6-90105-000. F-3-20-11
 HZY6-90105-000. F-8-10-24
 HZY6-90116-000. F-4-19
 HZY6-90116-000. FOP-10-1-8
 HZY6-90118-000. F-3-20-12
 HZY6-90123-000. F-3-15
 HZY6-90135-004. F-7-20-9
 HZY6-90139-000. E-1-6
 HZY6-90301-000. F-8-20-15
 HZY6-90401-000. E-1-7
 HZY6-90601-000. E-18-23
 HZY6-90602-020. E-4-10-10
 HZY6-90603-003. E-4-10-11
 HZY6-90604-003. E-4-12
 HZY6-90605-003. E-18-25
 HZY6-90606-003. E-6-41
 HZY6-90607-000. E-18-10-51
 HZY6-90651-000. F-9-13
 HZY6-90701-000. E-10-12
 HZY6-90752-000. F-2-39
 HZY6-90753-000. F-2-40
 HZY6-90755-003. F-2-41
 HZY6-91051-003. F-5-22
 HZY6-91052-003. F-4-26
 HZY6-91055-004. F-5-23
 HZY6-91251-003. F-4-28
 HZY6-91301-003. E-4-13
 HZY6-91302-003. E-4-14
 HZY6-91303-003. E-9-20-24
 HZY6-91304-010. E-9-10-24
 HZY6-91305-003. E-3-35
 HZY6-91351-003. F-4-31
 HZY6-91502-003. E-9-35
 HZY6-91552-000. F-4-34
 HZY6-91552-000. FOP-10-1-11
 HZY6-91553-000. F-8-20-19
 HZY9-17315-000. E-15-4
 HZY9-30419-003. E-20-10-2
 HZY9-56115-003. F-11-15
 HZY9-56120-003. F-11-19
 HZY9-87538-U80. F-12-13
 HZY9-90017-000. E-15-18
 HZZ3-06240-R30. FOP-8-1
 HZZ3-06240-R40. FOP-8-4-1
 HZZ3-06240-R60. FOP-8-2-1
 HZZ3-06323-R00. FOP-6-1
 HZZ3-06323-R10. FOP-6-1-1
 HZZ3-06323-R20. FOP-6
 HZZ3-06323-R30. FOP-6-1
 HZZ3-06328-762. FOP-11-1
 HZZ3-19277-000. E-6-15
 HZZ3-24800-R00. FOP-8-6
 HZZ3-24800-R50. FOP-8-6-1
 HZZ3-24820-R11. FOP-8-13
 HZZ3-24820-R21. FOP-8-2-14
 HZZ3-24830-R41. FOP-8-4-11
 HZZ3-32186-000. FOP-11-2
 HZZ3-32341-R01. FOP-6-5
 HZZ3-32341-R31. FOP-6
 HZZ3-32346-R01. FOP-6-6
 HZZ3-32346-R11. FOP-6-1-3
 HZZ3-32346-R21. FOP-6
 HZZ3-32346-R31. FOP-6-1-

Note

TOHATSU CORPORATION

**Address : 5-4,3-chome,Azusawa,Itabashi-ku,
TOKYO,174-0051 JAPAN**

Phone : TOKYO (03)3966-3117

FAX : TOKYO (03)3966-0090

Website : www.tohatsu.co.jp