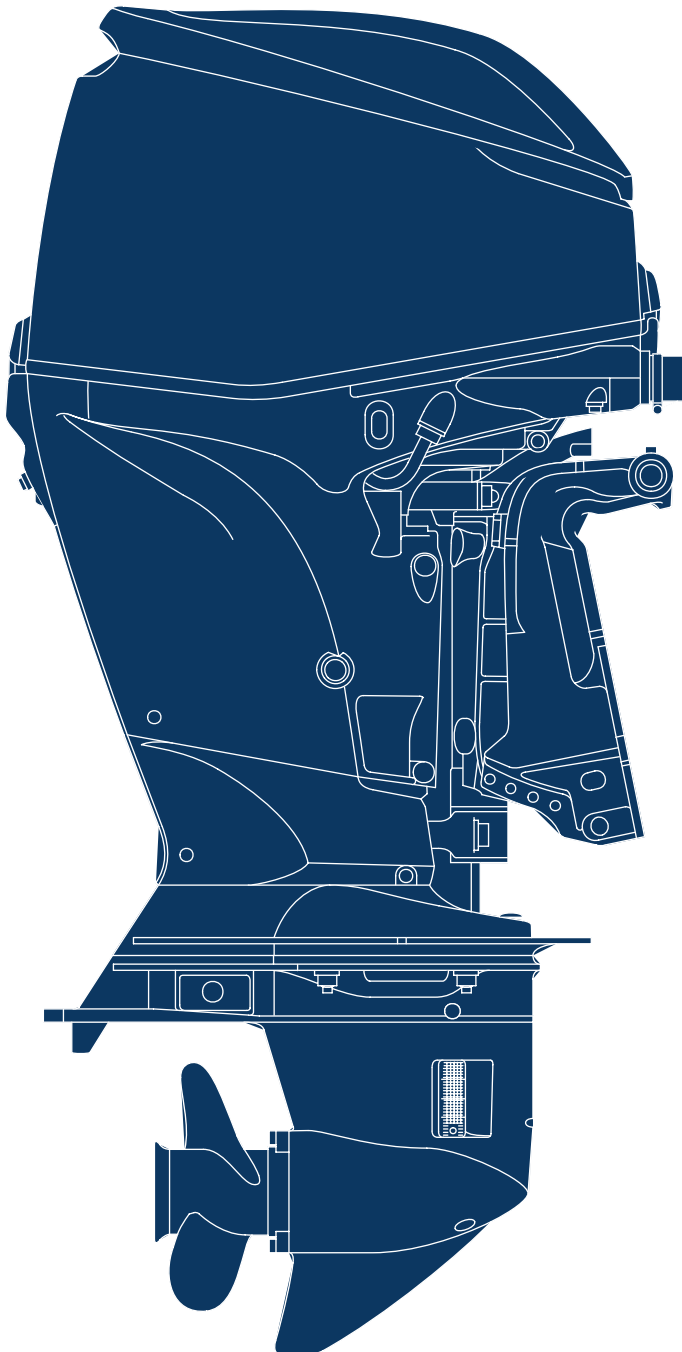


2014 PARTS CATALOG

 TOHATSU



BFT 60A
BFW 60A

OB NO.002-13ZZ3-0
1311EU/EX

Instruction for use of parts catalogue

- **This parts catalogue was prepared based on the latest information available as of December 1, 2013.**
- See the Service Bulletin for any revision that is made after December 1, 2013.
- **Always specify the part number when ordering a part.**
 - Check the model, type, serial numbers, color, maker, and the size as needed before ordering a part.
 - Note that the illustrations (part drawings) can differ from the actual parts in shape.
Illustrations are given just to help you to refer to the parts.
- **When modifications or additions to this parts catalogue are made, a revised edition will be issued at an appropriate time, with successively progressing revision numbers on the cover. We recommend obtaining such revisions in order to keep your parts catalogue up-to-date at all times.**

Initial version issue date December 1, 2013

CONTENTS

E-2	CYLINDER HEAD	1
E-3	CYLINDER BLOCK	5
E-5	OIL PUMP	9
E-6	OIL CASE	11
E-7	CRANKSHAFT/PISTON	13
E-9	CAMSHAFT	17
E-13	TIMING BELT	19
E-14	INLET MANIFOLD/INJECTOR	21
E-15	THROTTLE BODY	23
E-15-10	AIR GUIDE	25
E-18	TUBING	27
E-18-10	VAPOR SEPARATOR	31
E-19	A.C. GENERATOR	35
E-20	ELECTRONIC CONTROL UNIT	37
E-20-10	IGNITION COIL	39
E-21	STARTER MOTOR	41
EOP-1	GASKET KIT	43
F-1	STEERING HANDLE (1)	45
F-1-1	STEERING HANDLE (2)	51
F-2	SHIFT SHAFT	53
F-3	EXTENSION CASE	57
F-3-10	GEAR CASE (1)	59
F-3-11	GEAR CASE (2)	61
F-3-20	GEAR CASE ASSY	65
F-3-30	UPPER RUBBER MOUNT	67
F-4	WATER PUMP (1)	71
F-4-1	WATER PUMP (2)	75
F-5	PROPELLER SHAFT (1)	79
F-5-1	PROPELLER SHAFT (2)	83
F-6	FUEL TUBE	87
F-7	WIRE HARNESS	89
F-7-10	STARTER CABLE	91
F-7-20	ELECTRONIC PARTS CASE	93
F-7-30	A.C. GENERATOR COVER	95
F-8	ENGINE UNDER COVER	97
F-8-10	ENGINE COVER	101
F-10	STERN BRACKET	103
F-11	SWIVEL CASE	105
F-11-20	POWER TRIM TILT	109
F-12	LABEL	115
F-13	TOOL/OTHER PARTS	117
F-15	REMOTE CONTROL BOX (1)	119
F-15-1	REMOTE CONTROL BOX (2)	125
FOP-1	IMPELLER PUMP KIT	129
FOP-2-1	METER	131
FOP-2-4	INTERFACE CABLE KIT	133
FOP-3	SWITCH PANEL KIT (1)	135
FOP-3-1	SWITCH PANEL KIT (2)	139
FOP-4	REMOTE CONTROL BOX (TOP MOUNT SINGLE TYPE) (RIGHT)	141
FOP-4-2	REMOTE CONTROL BOX (TOP MOUNT DUAL TYPE) (RIGHT)	145
FOP-4-4	REMOTE CONTROL BOX (FLUSH MOUNT TYPE) (RIGHT)	149
FOP-6	PROPELLER	151
FOP-7	BOLT KIT	153
FOP-8	STEERING HANDLE KIT	155
FOP-8-1	STEERING HANDLE KIT (COMPONENT PARTS)	157
FOP-8-10	STEERING ROD KIT	163
FOP-9	TILT LIMIT KIT/SPEED SENSOR TUBE KIT	165
FOP-10	TROLLING CONTROL SWITCH	167
NDEX		169
INDEX (Parts Number)		176

How to refer to the part information

A. Reference with "Illustrated index"

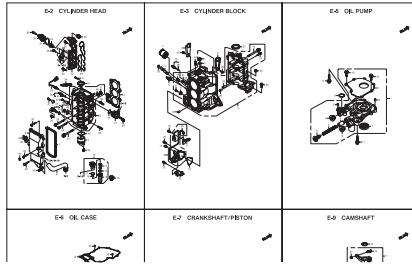


Fig. Number

Ref. Number/Part Number/Parts Name

Ref.No.	Part No.	Description	Q'ty	Remarks
E-1	H0V41215P-A00	METAL, ANODE	3	3
E-2	HZZ312310-0022A	HEAD COMP, CYLINDER	1	1
E-3	H0R112011-0010	BOLT, SEALING, 20MM	2	2
E-4	HZZ312041-0000	COVER, CAM THRUST	1	1
E-5	HZZ312011-0003	GASKET, CYLINDER HEAD	1	1
E-6	HZZ312310-0000	COVER, CYLINDER HEAD	1	1
E-7	HZZ312312-0000	PACKING, HEAD COVER	1	1
E-8	HZZ315021-0000	TUBE, OIL	1	1
E-9	H00110010-0000	CAP, OIL/YELLOW	1	1
E-10	HZZ310700-0000	PUMP ASSY, FUEL	1	1
E-11	HZZ310011-0000	LIFTER, FUEL, PUMP	1	1
E-12	HZZ310003-0000	STRAINER ASSY, FUEL	1	1
E-13	HZZ310001-0000	FILTER	1	1
E-14	HZZ310006-0000	FLOAT	1	1
E-15	HZZ310012-0000	CUP	1	1
E-16	HZZ310015-0000	SUSPENSION, STRAINER	1	1
E-17	HZZ310018-0000	O-RING	1	1
E-18	HZZ310019-0000	O-RING	1	1
E-19	H0R110003-0000	THERMOSTAT ASSY.	1	1
E-20	H0R110010-0000	COVER, THERMOSTAT	1	1
E-21	H0R110011-0000	O-RING, THERMOSTAT COVER	1	1
E-22	HZZ310014-0000	COVER, WATER JACKET	1	1
E-23	HZZ310017-0000	PACKING, EX. WATER JACKET	1	1
E-24	HZZ310018-0000	PLUG, SPARK(MARBC-6)	3	3
E-25	HZZ310015-0000	SENSOR, OXYGEN	1	1
E-26	H0Y110001-0000	SENSOR ASSY, WATER	1	1
E-27	H0Y110002-0000	SENSOR ASSY, TDC	1	1
E-28	H0R110003-0000	BOLT, FLANGE, 6X22	2	2
E-29	HZZ310003-0000	BOLT, FLANGE, 8X30	1	1

B. Reference with "Parts number index"

INDEX (Parts Number)		
102415540	15115	104400000
106401134	47	104400000
106400720	50	104401174
106400720	913	104401174
106400720	917	104401174
106400720	916	104401174
106400720	940	104401174
106400720	942	104401174
106400720	943	104401174
106400720	944	104401174
106400720	945	104401174
106400720	946	104401174
106400720	947	104401174
106400720	948	104401174
106400720	949	104401174
106400720	950	104401174
106400720	951	104401174
106400720	952	104401174
106400720	953	104401174
106400720	954	104401174
106400720	955	104401174
106400720	956	104401174
106400720	957	104401174
106400720	958	104401174
106400720	959	104401174
106400720	960	104401174
106400720	961	104401174
106400720	962	104401174
106400720	963	104401174
106400720	964	104401174
106400720	965	104401174
106400720	966	104401174
106400720	967	104401174
106400720	968	104401174
106400720	969	104401174
106400720	970	104401174
106400720	971	104401174
106400720	972	104401174
106400720	973	104401174
106400720	974	104401174
106400720	975	104401174
106400720	976	104401174
106400720	977	104401174
106400720	978	104401174
106400720	979	104401174
106400720	980	104401174
106400720	981	104401174
106400720	982	104401174
106400720	983	104401174
106400720	984	104401174
106400720	985	104401174
106400720	986	104401174
106400720	987	104401174
106400720	988	104401174
106400720	989	104401174
106400720	990	104401174
106400720	991	104401174
106400720	992	104401174
106400720	993	104401174
106400720	994	104401174
106400720	995	104401174
106400720	996	104401174
106400720	997	104401174
106400720	998	104401174
106400720	999	104401174
106400720	1000	104401174

C. Reference with "Parts name index"

INDEX		
ANODE	15115	104400000
ANODE	47	104400000
ANODE	50	104401174
ANODE	913	104401174
ANODE	917	104401174
ANODE	916	104401174
ANODE	940	104401174
ANODE	942	104401174
ANODE	943	104401174
ANODE	944	104401174
ANODE	945	104401174
ANODE	946	104401174
ANODE	947	104401174
ANODE	948	104401174
ANODE	949	104401174
ANODE	950	104401174
ANODE	951	104401174
ANODE	952	104401174
ANODE	953	104401174
ANODE	954	104401174
ANODE	955	104401174
ANODE	956	104401174
ANODE	957	104401174
ANODE	958	104401174
ANODE	959	104401174
ANODE	960	104401174
ANODE	961	104401174
ANODE	962	104401174
ANODE	963	104401174
ANODE	964	104401174
ANODE	965	104401174
ANODE	966	104401174
ANODE	967	104401174
ANODE	968	104401174
ANODE	969	104401174
ANODE	970	104401174
ANODE	971	104401174
ANODE	972	104401174
ANODE	973	104401174
ANODE	974	104401174
ANODE	975	104401174
ANODE	976	104401174
ANODE	977	104401174
ANODE	978	104401174
ANODE	979	104401174
ANODE	980	104401174
ANODE	981	104401174
ANODE	982	104401174
ANODE	983	104401174
ANODE	984	104401174
ANODE	985	104401174
ANODE	986	104401174
ANODE	987	104401174
ANODE	988	104401174
ANODE	989	104401174
ANODE	990	104401174
ANODE	991	104401174
ANODE	992	104401174
ANODE	993	104401174
ANODE	994	104401174
ANODE	995	104401174
ANODE	996	104401174
ANODE	997	104401174
ANODE	998	104401174
ANODE	999	104401174
ANODE	1000	104401174

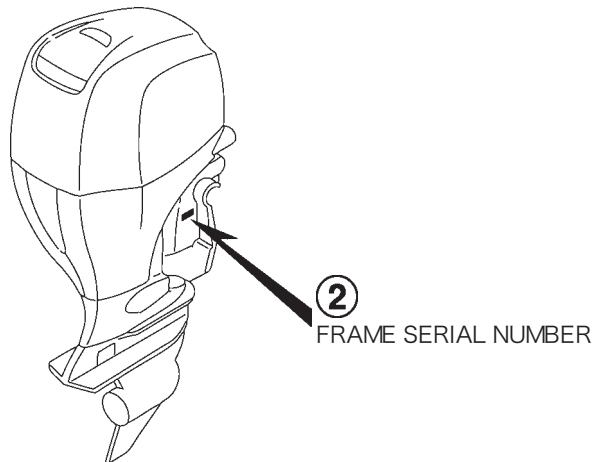
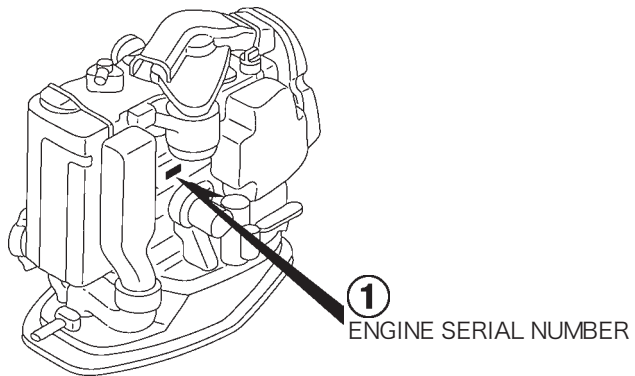
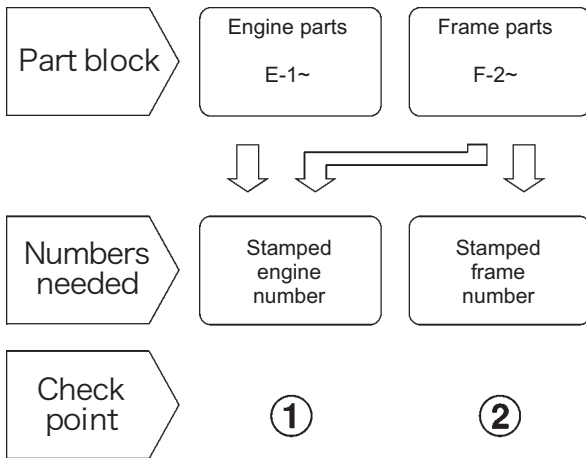
Part catalogue structure

Exploded view diagram of a cylinder head assembly. The diagram shows various components labeled with numbers 1 through 48. Callouts 1 through 11 are used to identify specific parts in the table. A dashed line (10) encloses several sub-assembly parts, and a solid arrow (11) points to a specific sub-assembly.

Ref.No.	Part No.	Description	Q.ty		Remarks
			10	11	
E-2	H2V-2155-000	METAL ANKLE	3	3	
E-2	H2Z-12210-000EA	HEAD COMP, CYLINDER	1	1	HEAD DARK GRAY
E-2	H2W-12211-010	BOLT SEALING 20MM	2	2	
E-2	H2Z-1224-000	COVER CAM THROST	1	1	
E-2	H2Z-1221-003	GASKET CYLINDER HEAD	1	1	
E-2	H2Z-12310-000	COVER CYLINDER HEAD	1	1	
E-2	H2Z-12312-000	PACKING HEAD COVER	1	1	
E-2	H2Z-12420-000	TUBE OIL	1	1	
E-2	H2E-13811-000	CAP OIL/YELLOW	1	1	
E-2	H2Z-1430-003	PUMP ASSY, FUEL	1	1	
E-2	H2Z-1431-000	LIFTER FUEL PUMP	1	1	
E-2	H2Z-14900-003	STRAINER ASSY, FUEL	1	1	
E-2	H2Z-14910-003	FILTER	1	1	
E-2	H2Z-14920-003	FLOAT	1	1	
E-2	H2Z-14912-003	CUP	1	1	
E-2	H2Z-14913-000	SUSPENSION STRAINER	1	1	
E-2	H2Z-14914-003	O-RING	1	1	
E-2	H2Z-14915-003	O-RING	1	1	
E-2	H2W-1530-003	THERMOSTAT ASSY.	1	1	
E-2	H2W-1531-000	COVER THERMOSTAT	1	1	
E-2	H2W-15311-000	O-RING THERMOSTAT COVER	1	1	
E-2	H2Z-1531-000	COVER WATER JACKET	1	1	
E-2	H2Z-15311-000	PACKING EX WATER JACKET	1	1	COVER
E-2	H2Z-1532-003	FLVL SPARK/LAMP/W-H	3	3	
E-2	H2Z-1560-003	SENSOR OXYGEN	1	1	
E-2	H2Y-15617-003	SENSOR ASSY, WATER	1	1	TEMPERATURE
E-2	H2Y-15618-003	SENSOR ASSY, TDC	1	1	
E-2	H2W-1602-000	BOLT FLANGE 4X12	2	2	
E-2	H2Z-16020-000	BOLT FLANGE 4X30	1	1	

- ① Fig. Number
- ② Fig. Title
- ③ Ref. Number
- ④ Parts Number
- ⑤ Parts Name
- ⑥ Q.ty
- ⑦ Remarks
- ⑧ Different specification
- ⑨ Direction Arrow
- ⑩ Parts enclosed within a dotted line are sub assembly parts.
- ⑪ A solid arrow indicates the block No. the part in question is connected to.

How to check the part block and serial numbers



Models, parts catalogue codes and applicable serial numbers

- Models, parts catalogue codes and applicable serial Nos. given in this parts catalogue can be identified as follows.

Model	Type	Parts catalogue type	Engine		Applicable engine serial No.	Applicable frame serial No.
			Model	Type		
BFT60A	LHTD	LHTD	BF60A	SE	BEBFJ-1000001~	BBFJ-6000001~
	LRTD	LRTD				
	LRTU	LRTU				
BFW60A	LRTU	LRTU	BF60A	SE	BEBFJ-1000001~	BBFJ-7000001~

Features of each type

- See the following table for the features of each type. (Items in brackets are optional)

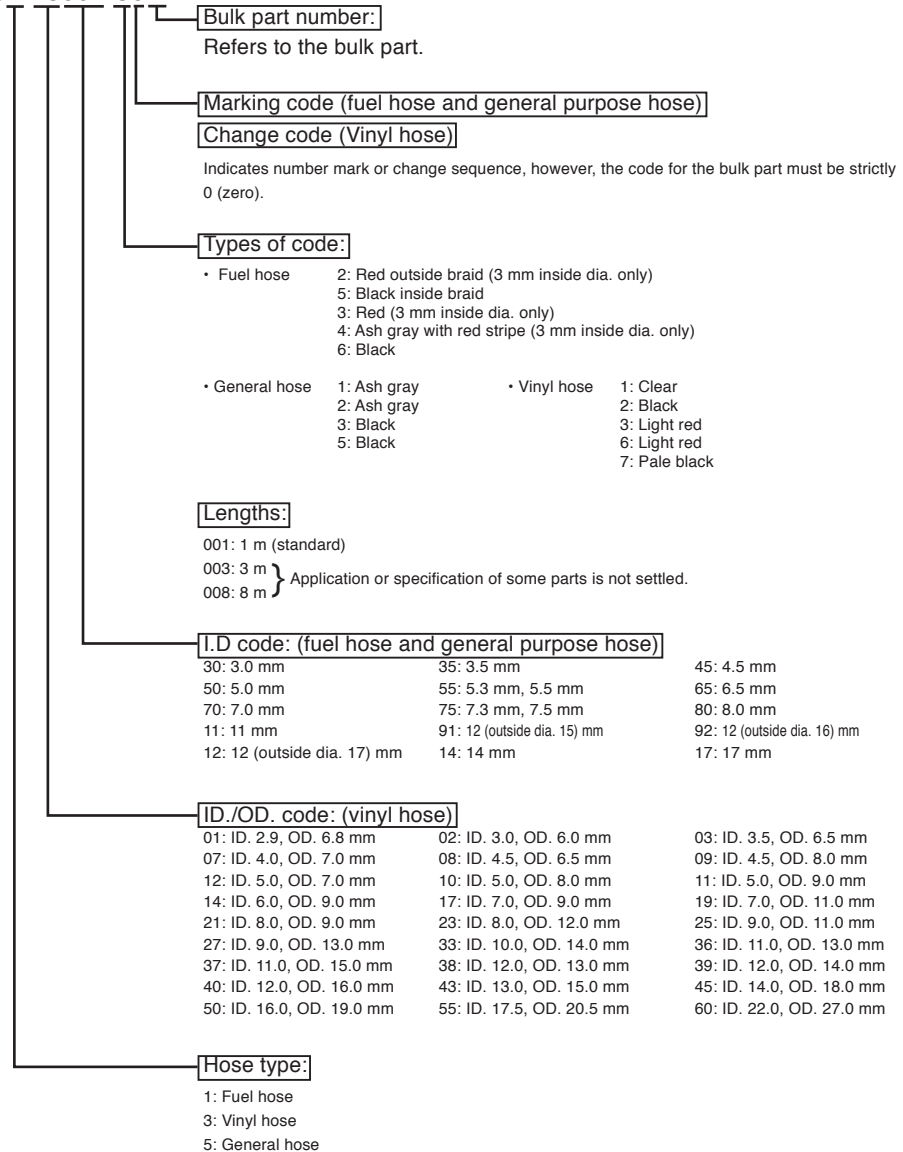
Specifications		Model	BFT 60A1		
		Type	LHTD	LRTD	LRTU
Transom height	521 mm		●	●	●
Propeller	11-3/8 x 12		(●)	(●)	(●)
	11-1/8 x 13		(●)	(●)	(●)
	11-1/8 x 14		●	●	(●)
	11 x 15		(●)	(●)	(●)
	11 x 16		(●)	(●)	(●)
	11 x 17		(●)	(●)	(●)
Steering handle			●	(●)	(●)
Remote control			(●)	●	(●)
Trolling control switch			●	(●)	(●)

Fuel hose, general purpose hoses and vinyl hose

- The standard part fuel hose, general purpose hose and vinyl hose may be substituted by the coiled bulk part.
- When ordering the standard part fuel hose, general purpose hose and vinyl hose use the bulk part number written in the parts catalog in brackets () underneath the part name.
- When exchanging the hose, cut and use at the specified length as mentioned in the part name. (For the method of cutting the bulk part, and method of filling out orders etc., please refer to the instructions issued with the bulk part.)

Bulk part number of fuel hose, general purpose hose and vinyl hose.

Example: 95001-75001-50M

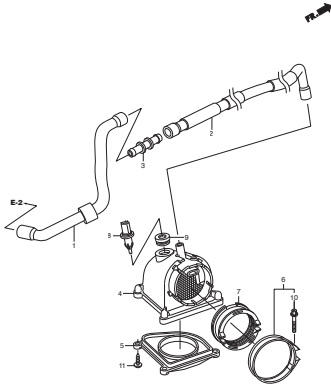


CAUTION: It is DANGEROUS to confuse the fuel hose with the general purpose hose or vinyl hose.

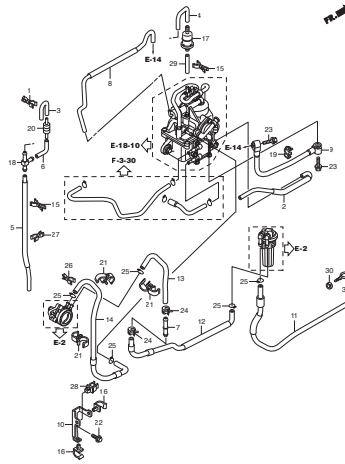
Never use a general purpose hose or vinyl hose in place of a fuel hose or vice versa.

Always use the correct bulk part in the parts catalogue, according to the service manual or the instructions issued with the bulk part.

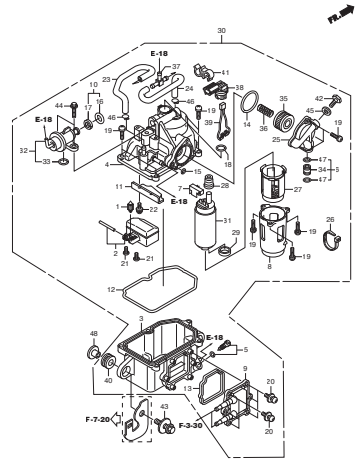
E-15-10 AIR GUIDE



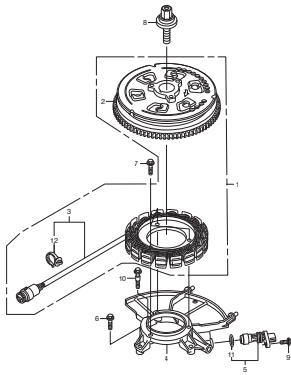
E-18 TUBING



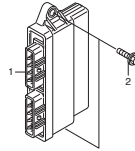
E-18-10 VAPOR SEPARATOR



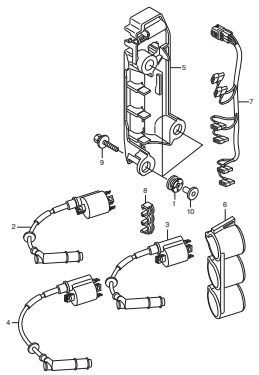
E-19 A.C. GENERATOR



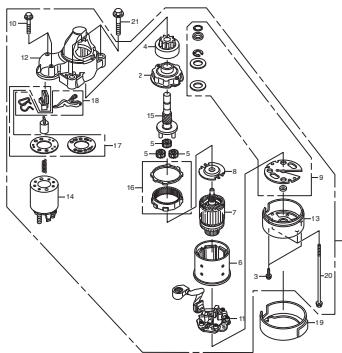
E-20 ELECTRONIC CONTROL UNIT



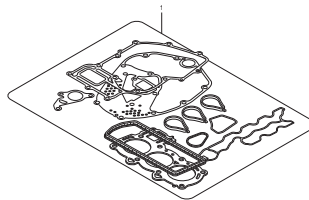
E-20-10 IGNITION COIL



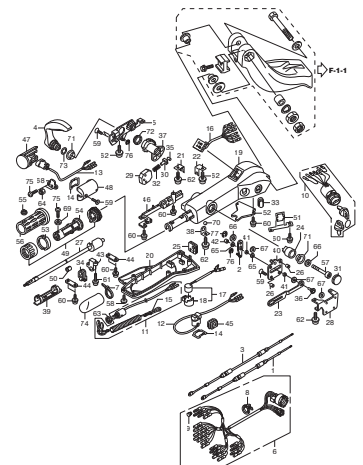
E-21 STARTER MOTOR



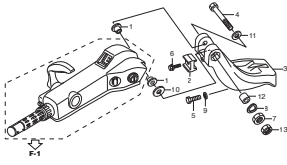
EOP-1 GASKET KIT



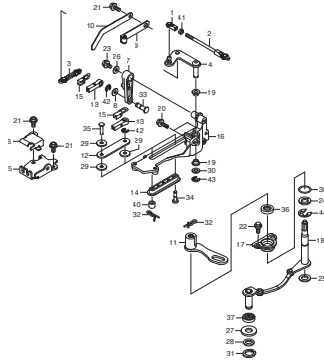
F-1 STEERING HANDLE (1)



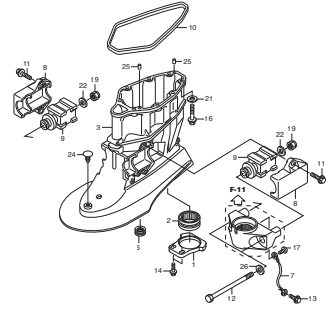
F-1-1 STEERING HANDLE (2)



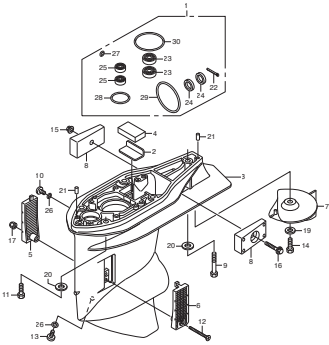
F-2 SHIFT SHAFT



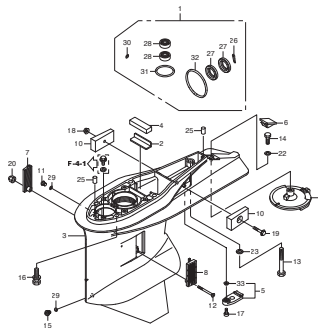
F-3 EXTENSION CASE



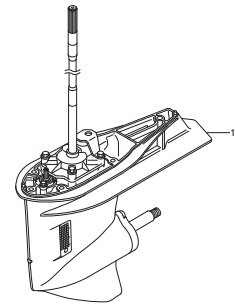
F-3-10 GEAR CASE (1)



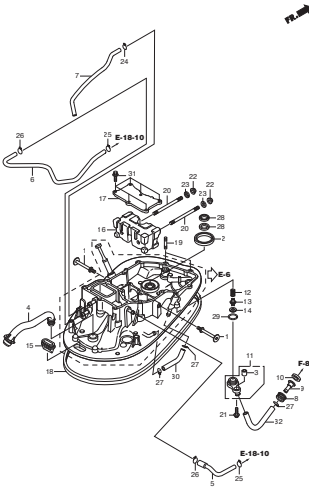
F-3-11 GEAR CASE (2)



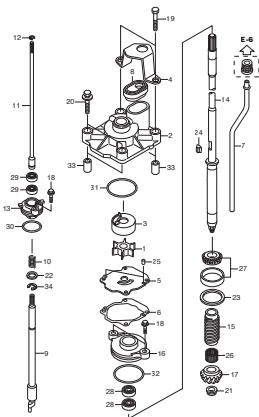
F-3-20 GEAR CASE ASSY



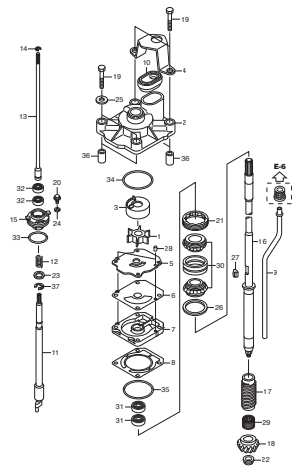
F-3-30 UPPER RUBBER MOUNT



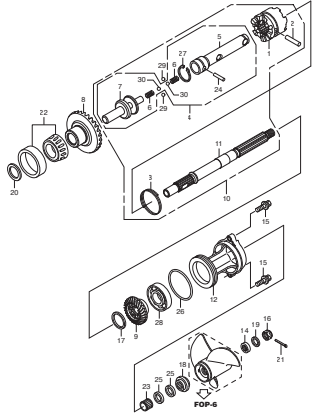
F-4 WATER PUMP (1)



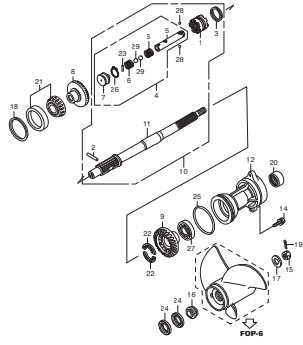
F-4-1 WATER PUMP (2)



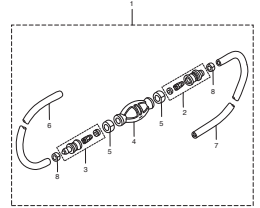
F-5 PROPELLER SHAFT (1)



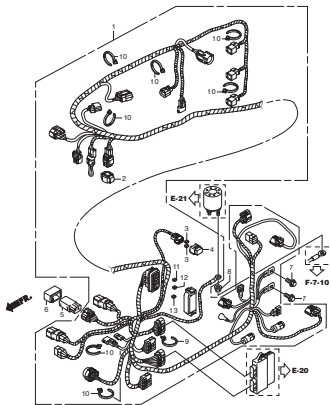
F-5-1 PROPELLER SHAFT (2)



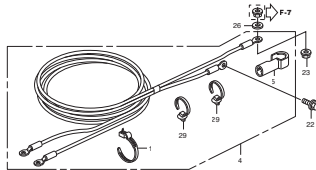
F-6 FUEL TUBE



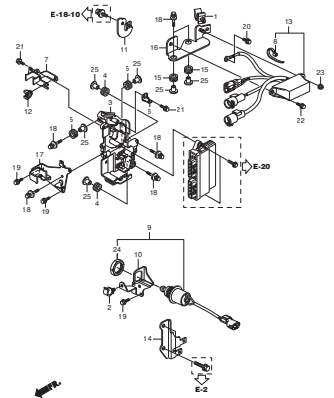
F-7 WIRE HARNESS



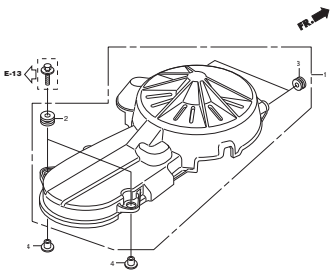
F-7-10 STARTER CABLE



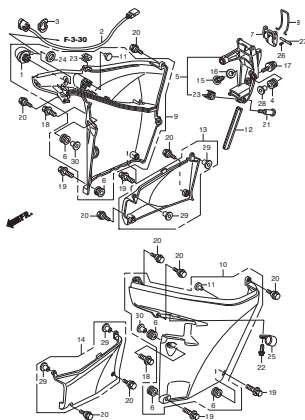
F-7-20 ELECTRONIC PARTS CASE



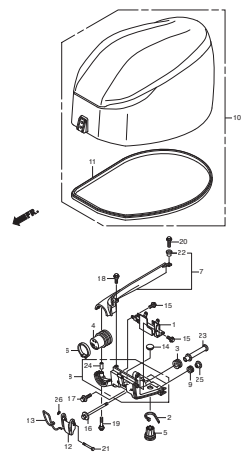
F-7-30 A.C. GENERATOR COVER



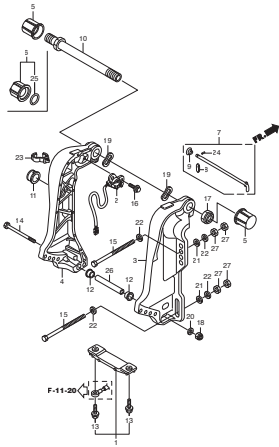
F-8 ENGINE UNDER COVER



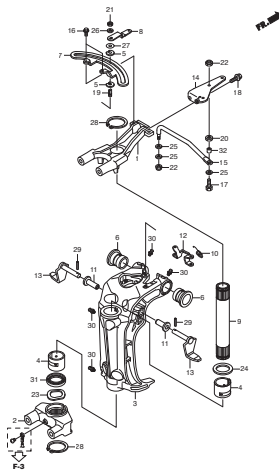
F-8-10 ENGINE COVER



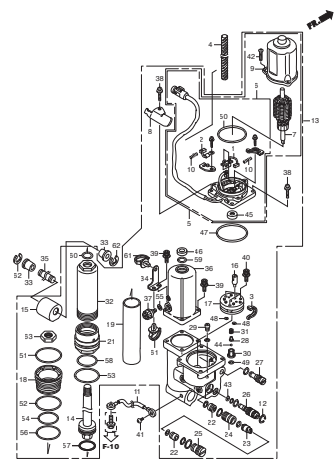
F-10 STERN BRACKET



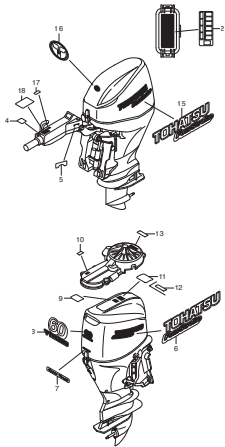
F-11 SWIVEL CASE



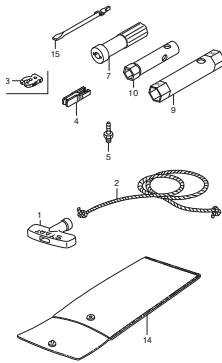
F-11-20 POWER TRIM TILT



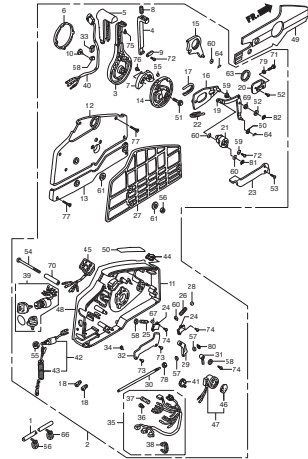
F-12 LABEL



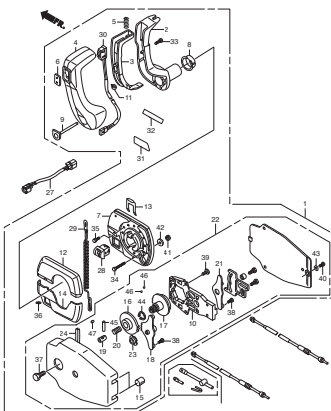
F-13 TOOL/OTHER PARTS



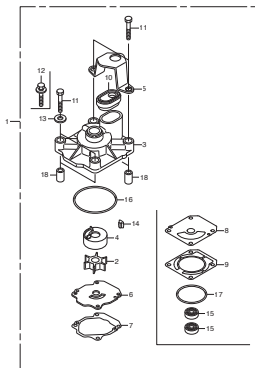
F-15 REMOTE CONTROL BOX (1)



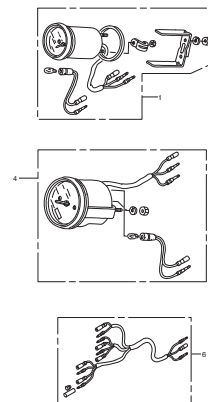
F-15-1 REMOTE CONTROL BOX (2)



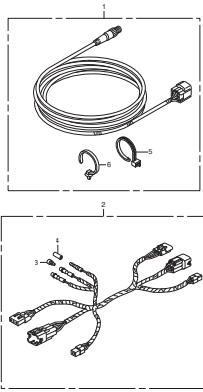
FOP-1 IMPELLER PUMP KIT



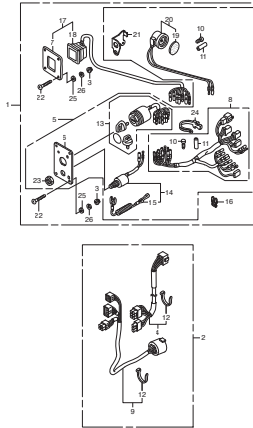
FOP-2-1 METER



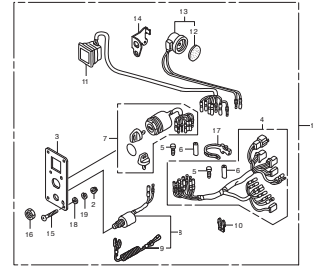
FOP-2-4 INTERFACE CABLE KIT



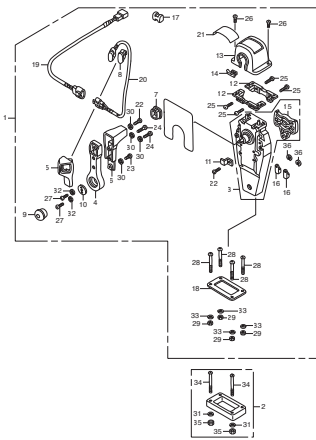
FOP-3 SWITCH PANEL KIT (1)



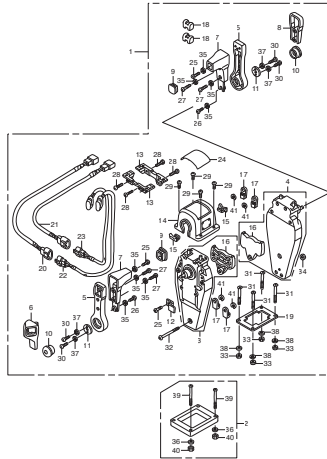
FOP-3-1 SWITCH PANEL KIT (2)



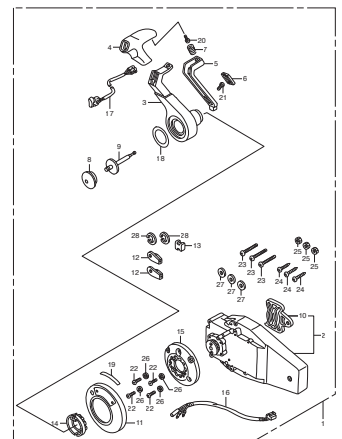
FOP-4 REMOTE CONTROL BOX (TOP MOUNT SINGLE TYPE) (RIGHT)



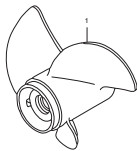
FOP-4-2 REMOTE CONTROL BOX (TOP MOUNT DUAL TYPE) (RIGHT)



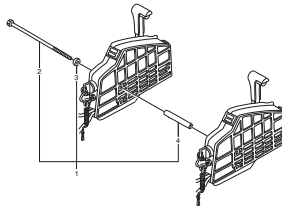
FOP-4-4 REMOTE CONTROL BOX (FLUSH MOUNT TYPE) (RIGHT)



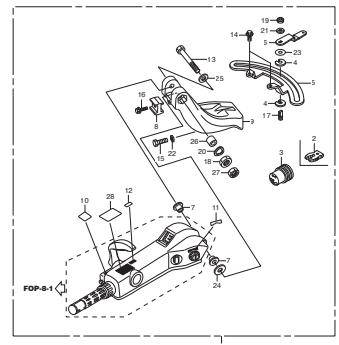
FOP-6 PROPELLER



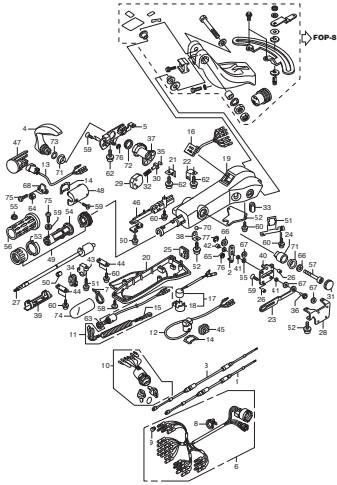
FOP-7 BOLT KIT



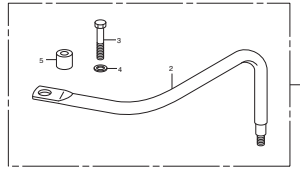
FOP-8 STEERING HANDLE KIT



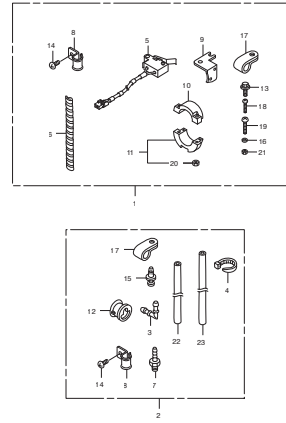
**FOP-8-1 STEERING HANDLE KIT
(COMPONENT PARTS)**



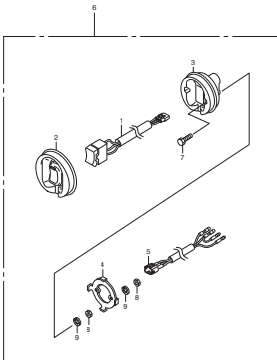
FOP-8-10 STEERING ROD KIT

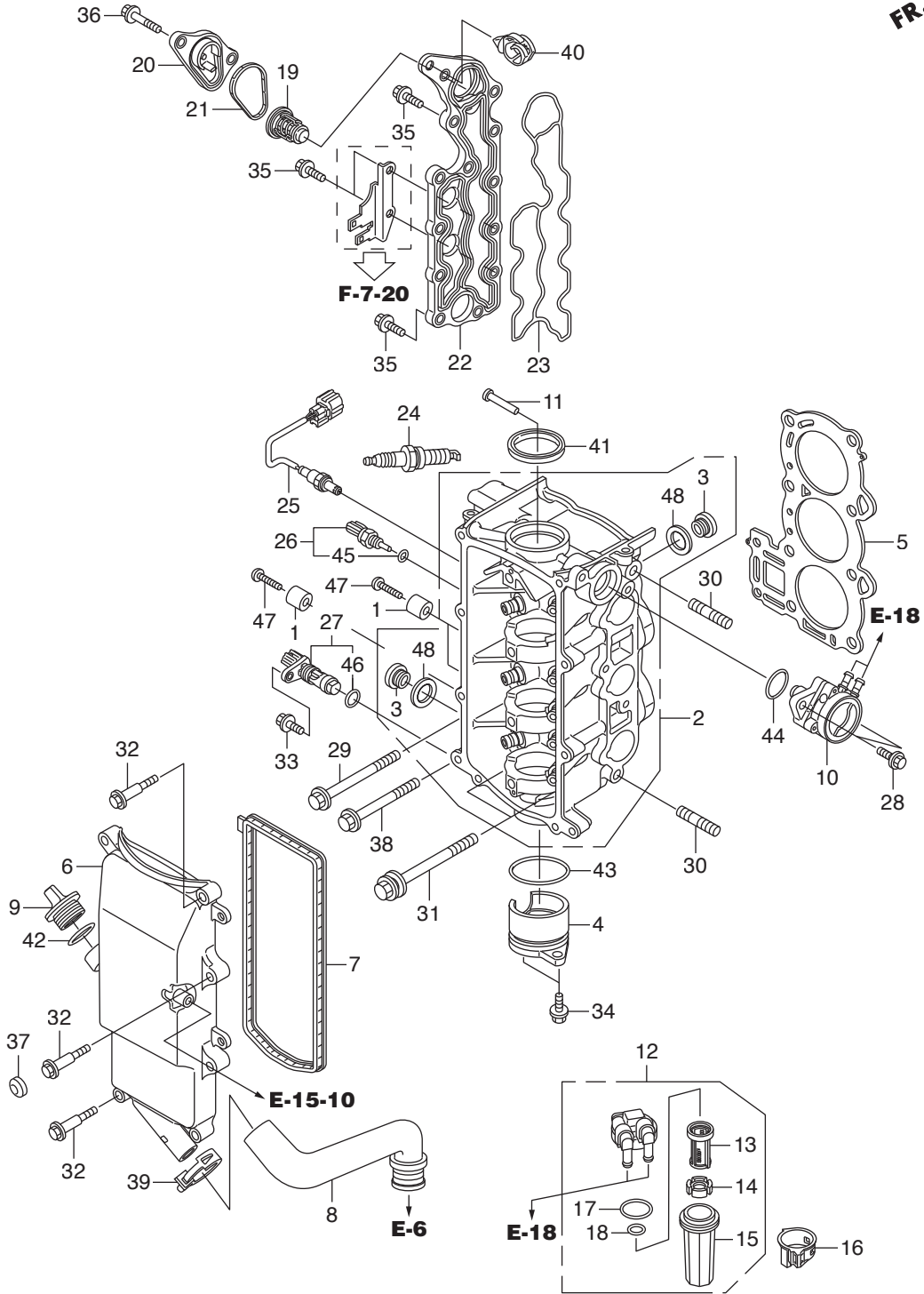


FOP-9 TILT LIMIT KIT/SPEED SENSOR TUBE KIT

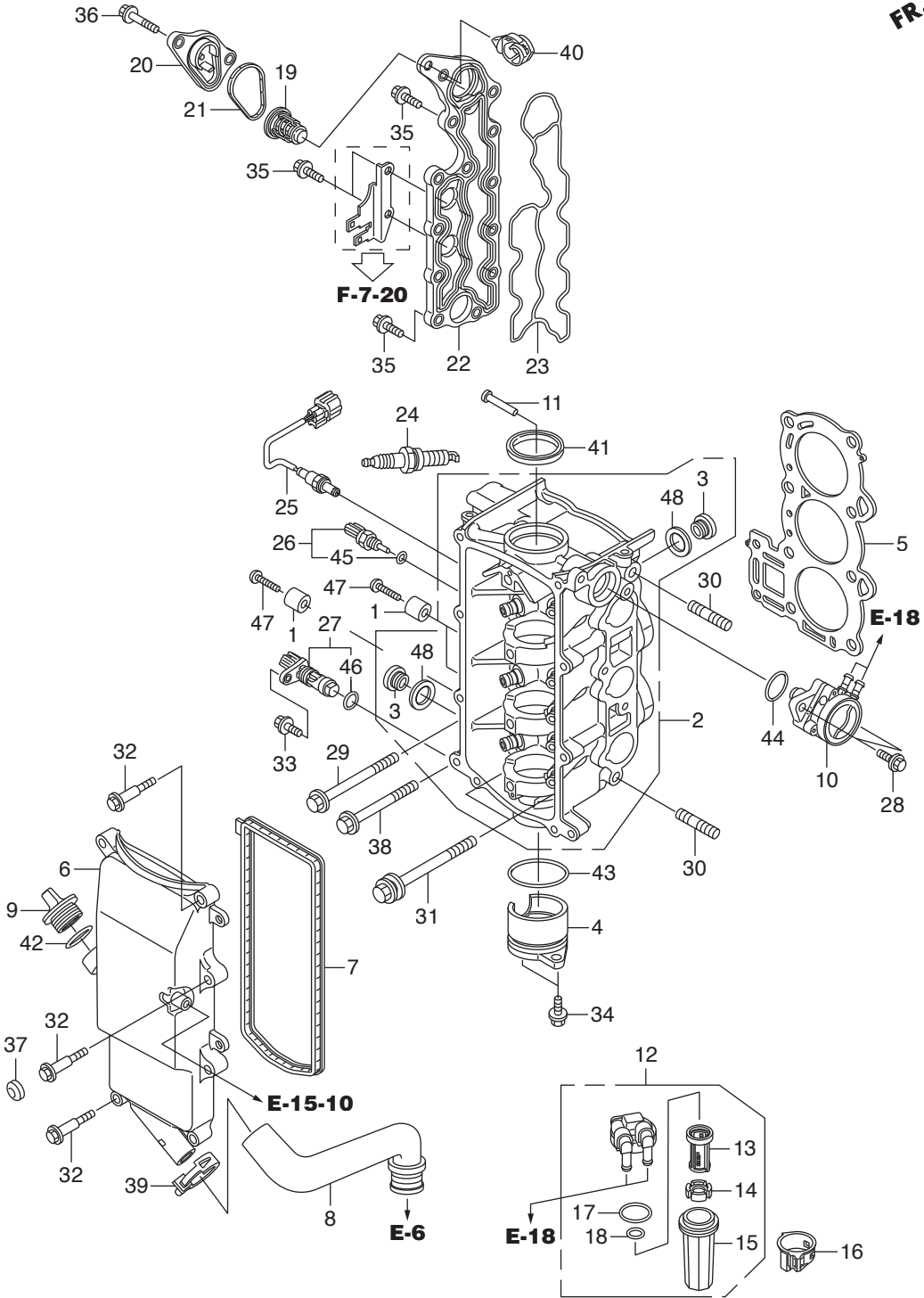


FOP-10 TROLLING CONTROL SWITCH

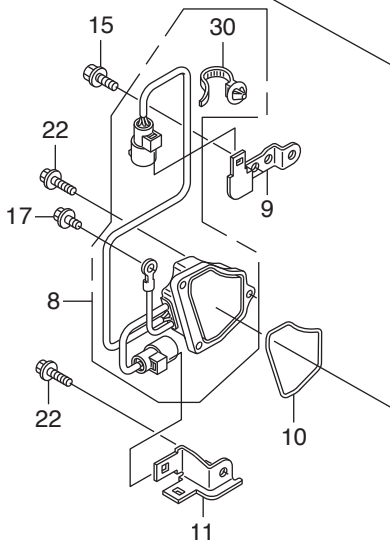
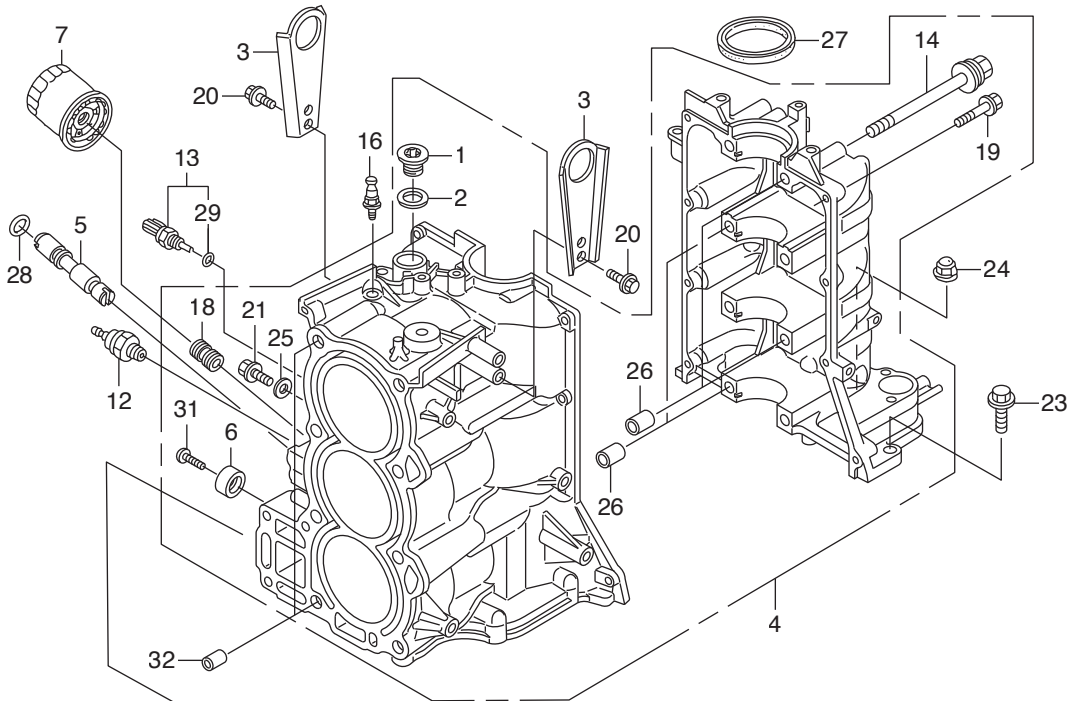




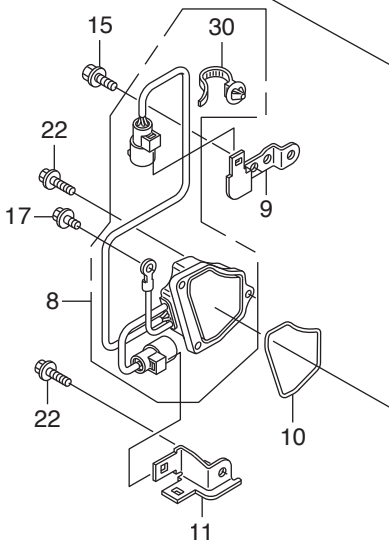
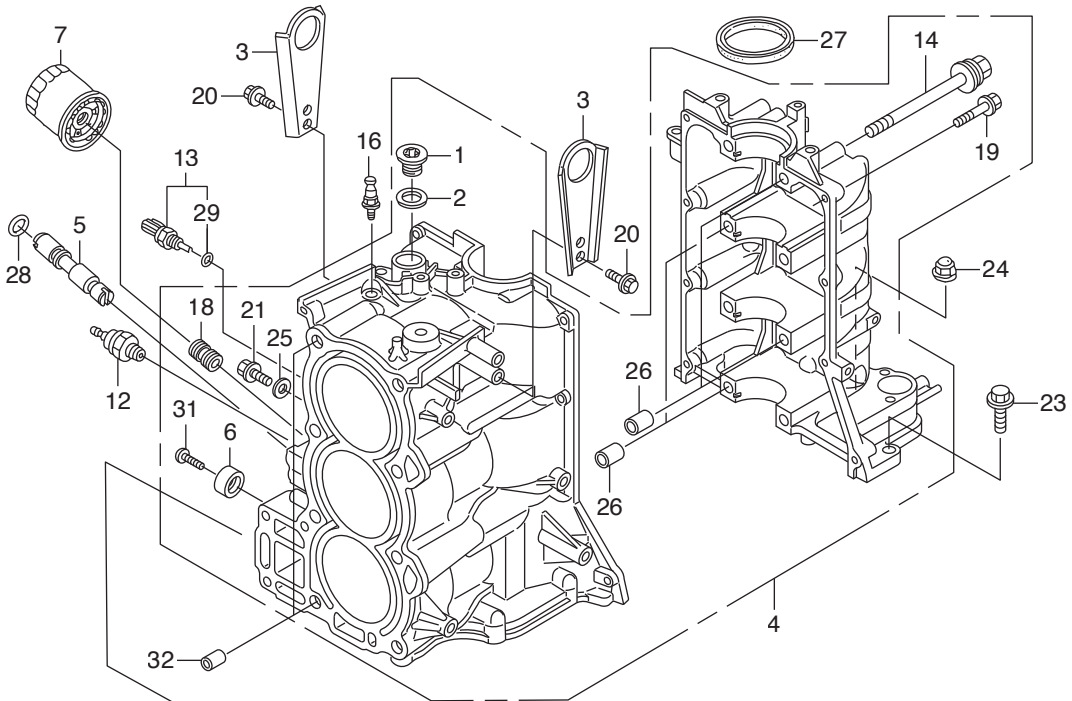
Ref.No.	Part No.	Description	Q' ty		Remarks	
			BFT60A	BFW60A		
E-2	1	HZV4-12155-A00	METAL, ANODE	3	3	
E-2	2	HZZ3-12210-000ZA	HEAD COMP., CYLINDER	1	1	*NH8* DARK GRAY
E-2	3	HZW1-12217-010	BOLT, SEALING, 20MM	2	2	
E-2	4	HZZ3-12241-000	COVER, CAM THRUST	1	1	
E-2	5	HZZ3-12251-003	GASKET, CYLINDER HEAD	1	1	
E-2	6	HZZ3-12310-000	COVER, CYLINDER HEAD	1	1	
E-2	7	HZZ3-12312-000	PACKING, HEAD COVER	1	1	
E-2	8	HZZ3-15422-000	TUBE, OIL	1	1	
E-2	9	H921-15611-000	CAP, OIL(YELLOW)	1	1	
E-2	10	HZZ3-16700-003	PUMP ASSY., FUEL	1	1	
E-2	11	HZZ3-16717-000	LIFTER, FUEL PUMP	1	1	
E-2	12	HZZ5-16900-003	STRAINER ASSY., FUEL	1	1	
E-2	13	HZZ5-16901-003	FILTER	1	1	
E-2	14	HZZ5-16906-003	FLOAT	1	1	
E-2	15	HZZ5-16912-003	CUP	1	1	
E-2	16	HZZ3-16915-000	SUSPENSION, STRAINER	1	1	
E-2	17	HZZ5-16918-003	O-RING	1	1	
E-2	18	HZZ5-16919-003	O-RING	1	1	
E-2	19	HZW9-19300-003	THERMOSTAT ASSY.	1	1	
E-2	20	HZW9-19315-000	COVER, THERMOSTAT	1	1	
E-2	21	HZW9-19317-000	O-RING, THERMOSTAT COVER	1	1	
E-2	22	HZZ3-19361-000	COVER, WATER JACKET	1	1	
E-2	23	HZZ3-19371-000	PACKING, EX. WATER JACKET	1	1	COVER
E-2	24	HZZ3-31908-003	PLUG, SPARK(LMAR6C-9)	3	3	
E-2	25	HZZ3-35655-003	SENSOR, OXYGEN	1	1	
E-2	26	HZY3-35673-003	SENSOR ASSY., WATER	1	1	TEMPERATURE
E-2	27	HZY9-35695-003	SENSOR ASSY., TDC	1	1	
E-2	28	HZW9-90003-000	BOLT, FLANGE, 6X22	2	2	
E-2	29	HZZ3-90003-000	BOLT, FLANGE, 8X90	1	1	



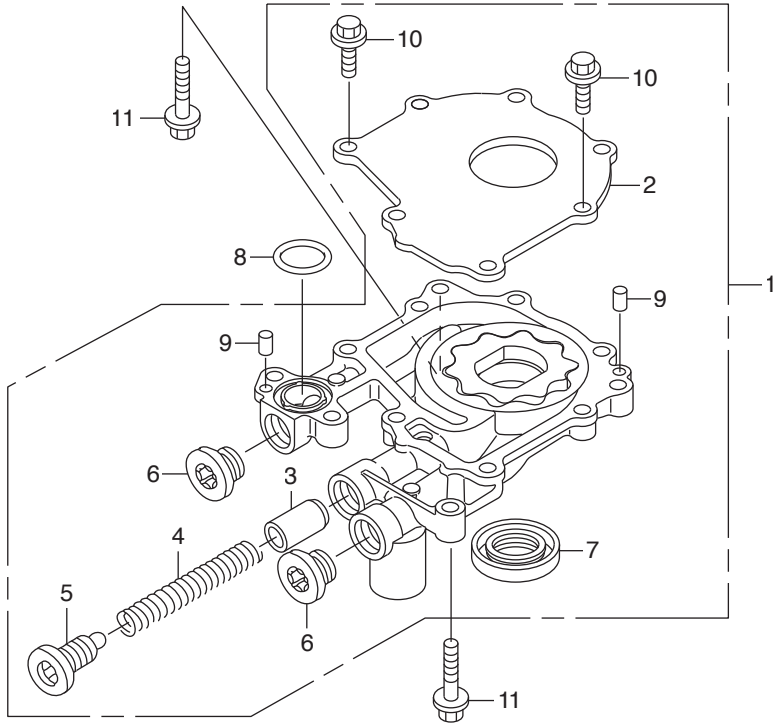
Ref.No.	Part No.	Description	Q' ty		Remarks	
			BFT60A	BFW60A		
E-2	30	HZZ3-90004-000	BOLT, STUD, 8X32	2	2	
E-2	31	HMEL-90007-003	BOLT-WASHER, 9X105	8	8	
E-2	32	HZZ3-90011-000	BOLT, HEAD COVER	8	8	
E-2	33	HZY3-90017-000	BOLT, FLANGE, 6X16	1	1	
E-2	34	HZW5-90018-000	BOLT, FLANGE, 6X20	2	2	
E-2	35	HZY3-90030-000	BOLT, FLANGE, 6X22	11	11	
E-2	36	HZY3-90063-000	BOLT, FLANGE, 6X37	2	2	
E-2	37	HZW4-90082-H01	CAP, BOLT, 6MM	1	1	
E-2	38	HZW4-90158-000	BOLT, FLANGE, 8X70	1	1	
E-2	39	HZW5-90606-030	CLAMP, TUBE(D29)	1	1	
E-2	40	HSA0-90683-003	CLIP, WIRE HARNESS, 25MM	1	1	
E-2	41	HZE3-91201-004	OIL SEAL, 35X52X8(ARAI)	1	1	
E-2	42	H805-91301-000	O-RING, 26X2.7	1	1	
E-2	43	HPX4-91302-004	O-RING, 46.8X2.2(NOK)	1	1	
E-2	44	HZW9-91303-000	O-RING, 31.2X2.4	1	1	
E-2	45	HPNA-91307-003	O-RING, 9.5X1.9	1	1	
E-2	46	HPNA-91333-003	O-RING, 15X1.9	1	1	
E-2	47	HCO-93500-05020-4J	SCREW, PAN, 5X20	3	3	
E-2	48	HCO-94109-20000	WASHER, DRAIN PLUG, 20MM	2	2	



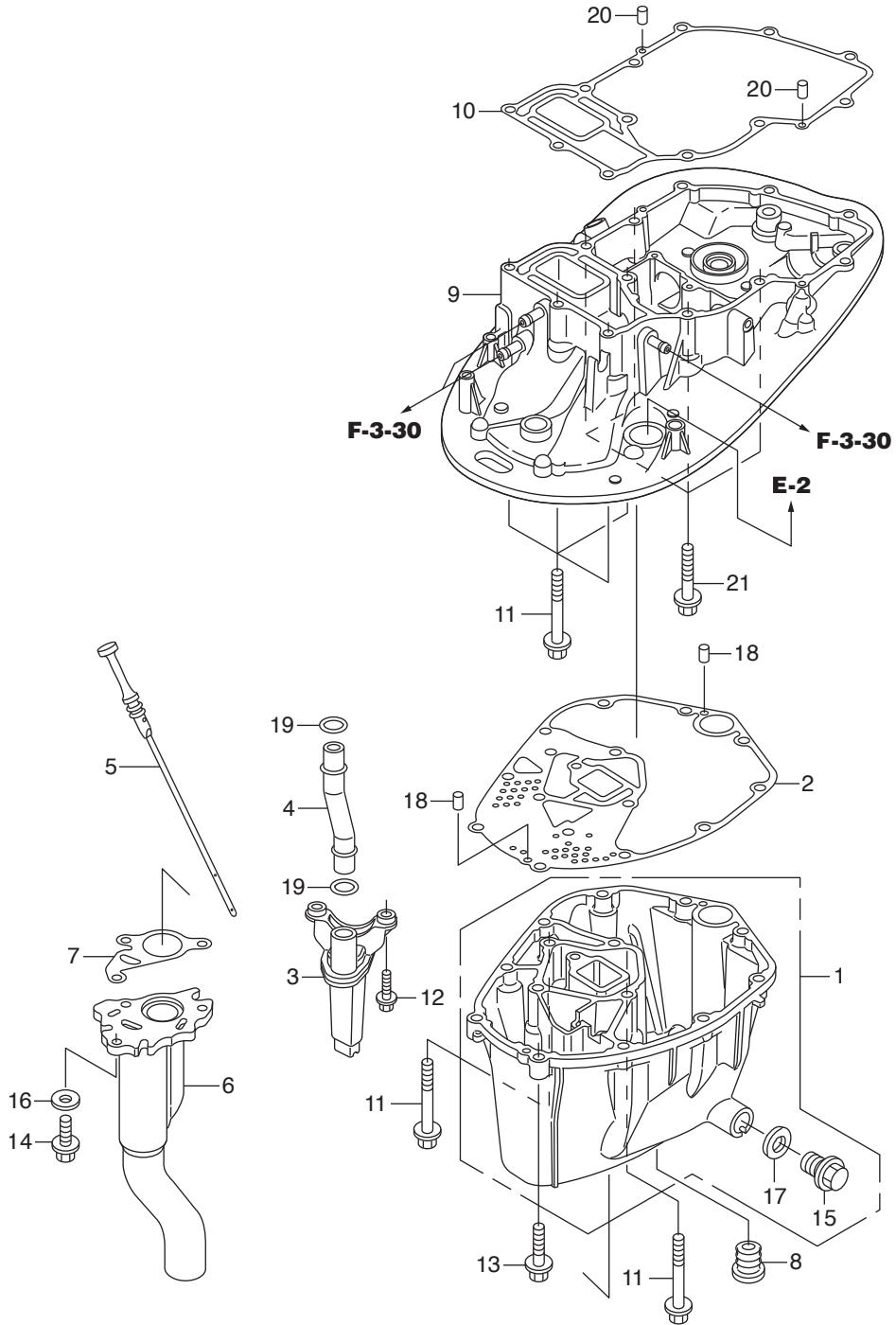
Ref.No.	Part No.	Description	Q'ty		Remarks	
			BFT60A	BFW60A		
E-3	1	HZZ3-11106-300	BOLT, SEALING, 24MM	1	1	
E-3	2	HPWA-11107-300	WASHER, SEALING, 24MM	1	1	
E-3	3	HZZ3-11911-000	HANGER, ENGINE	2	2	
E-3	4	HZZ3-12000-405ZA	BLOCK ASSY., CYLINDER	1	1	*NH8* DARK GRAY
E-3	5	HZZ3-12109-000	BOLT, BLOCK OIL DRAIN	1	1	
E-3	6	HZV5-12155-000	METAL, ANODE	1	1	
E-3	7	HPFB-15400-014	CARTRIDGE, OIL FILTER	1	1	(TOYO ROKI)
E-3	8	HZZ3-31750-003	RECTIFIER ASSY., REGULATOR	1	1	
E-3	9	HZZ3-31752-000	BRACKET A, REGULATOR COUPLER	1	1	
E-3	10	HZZ3-31754-000	PACKING, REGULATOR	1	1	
E-3	11	HZZ3-31756-000	BRACKET B, REGULATOR COUPLER	1	1	
E-3	12	HZZ3-35490-003	SWITCH ASSY., OIL PRESSURE	1	1	
E-3	13	HZY3-35673-003	SENSOR ASSY., WATER	1	1	TEMPERATURE
E-3	14	HZZ3-90001-003	BOLT-WASHER, 9X100	8	8	
E-3	15	HZW9-90011-000	BOLT, FLANGE, 6X14(CT200)	1	1	
E-3	16	HZV5-90012-013	BOLT, TIMING BELT ADJUSTING	1	1	SPRING
E-3	17	HZW9-90013-000	BOLT, FLANGE, 6X12	1	1	
E-3	18	H590-90015-000	HOLDER, OIL FILTER	1	1	
E-3	19	HZY3-90016-000	BOLT, FLANGE, 6X28	8	8	
E-3	20	HZY3-90017-000	BOLT, FLANGE, 6X16	4	4	
E-3	21	HZY3-90021-000	BOLT, FLANGE, 6X14	1	1	
E-3	22	HZY3-90030-000	BOLT, FLANGE, 6X22	3	3	
E-3	23	HZY3-90035-000	BOLT, FLANGE, 8X28	2	2	
E-3	24	HZY9-90201-000	NUT, FLANGE CAP, 8MM	2	2	
E-3	25	H397-90442-000	WASHER, SEALING, 6MM	1	1	
E-3	26	HPD2-90701-000	DOWEL PIN, 12X14	4	4	
E-3	27	HPW5-91204-005	OIL SEAL, 52X72X8(NOK)	1	1	
E-3	28	HME5-91304-003	O-RING, 5.1X2.2(ARAI)	1	1	
E-3	29	HPNA-91307-003	O-RING, 9.5X1.9	1	1	



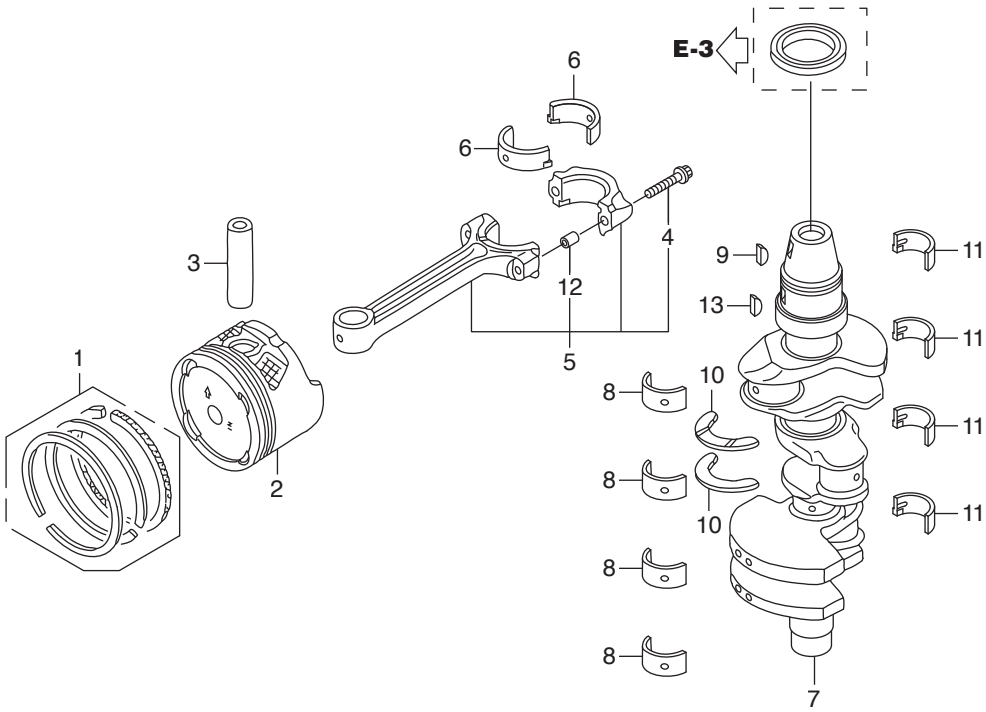
FR. 



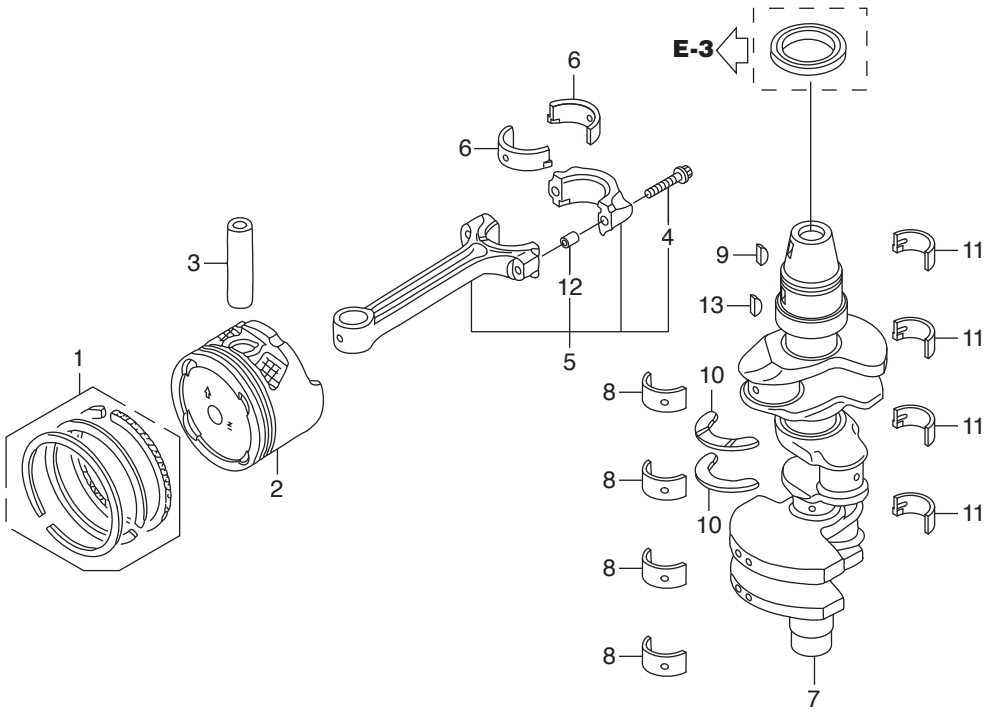
Ref.No.	Part No.	Description	Q' ty		Remarks	
			BFT60A	BFW60A		
E-5	1	HZZ3-15100-000	PUMP ASSY., OIL	1	1	
E-5	2	HZZ3-15121-000	COVER, OIL PUMP	1	1	
E-5	3	HPFB-15231-003	VALVE, RELIEF	1	1	
E-5	4	HKT8-15232-000	SPRING, RELIEF VALVE	1	1	
E-5	5	HZZ3-15236-000	BOLT, SEALING, 14MM	1	1	
E-5	6	HPE0-15301-300	BOLT, SEALING, 14MM	2	2	
E-5	7	HP01-91212-003	OIL SEAL, 31X46X7(NOK)	1	1	
E-5	8	HPC9-91331-003	O-RING, 21.2X2.4(ARAI)	1	1	
E-5	9	HCO-96220-50080	ROLLER, 5X8	2	2	
E-5	10	HCO-96300-06014-09	BOLT, FLANGE, 6X14	7	7	
E-5	11	HCO-96300-06025-09	BOLT, FLANGE, 6X25	5	5	



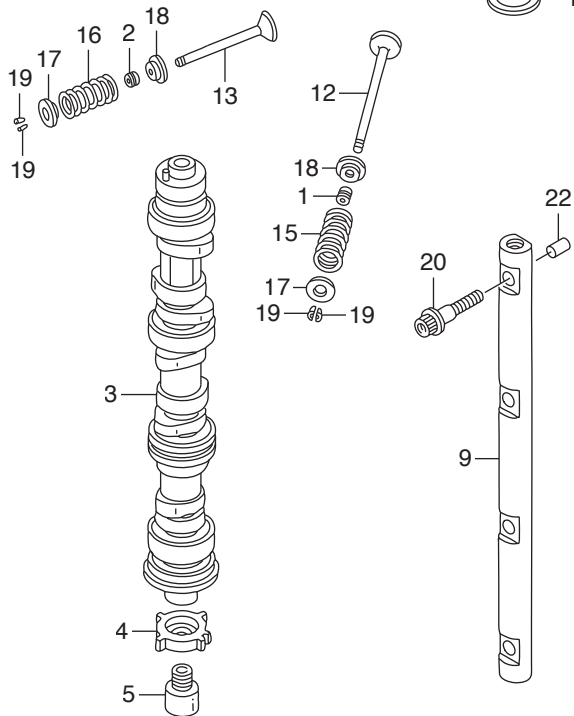
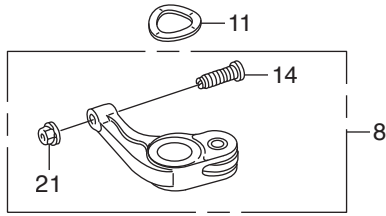
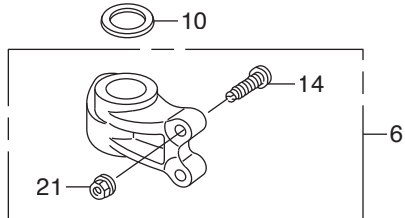
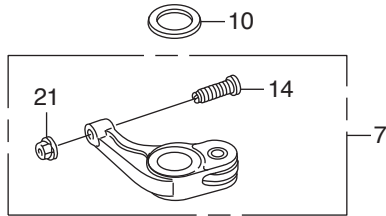
Ref.No.	Part No.	Description	Q' ty		Remarks	
			BFT60A	BFW60A		
E-6	1	HZZ3-11320-000ZA	CASE ASSY., OIL	1	1	*TGRAY* GRAY
E-6	2	HZZ3-11381-003	PACKING, OIL PAN	1	1	
E-6	3	HZZ3-15220-003	STRAINER COMP., OIL	1	1	
E-6	4	HZZ3-15223-000	PIPE, OIL STRAINER	1	1	
E-6	5	HZZ3-15655-000	GAUGE COMP., OIL LEVEL	1	1	
E-6	6	HZZ3-18330-000	PIPE COMP., EX.	1	1	
E-6	7	HZZ3-18333-000	GASKET, EX. PIPE	1	1	
E-6	8	HZV5-19252-000	GROMMET, WATER TUBE	1	1	
E-6	9	HZZ3-23170-405ZA	CASE COMP., MOUNT	1	1	*NH8* DARK GRAY
E-6	10	HZZ3-23172-003	GASKET, MOUNT CASE	1	1	
E-6	11	HZZ3-90002-000	BOLT, FLANGE, 8X60(SUS)	9	9	
E-6	12	HZZ3-90005-000	BOLT, FLANGE, 6X22	2	2	
E-6	13	HZZ3-90006-000	BOLT, FLANGE, 8X35(SUS)	10	10	
E-6	14	HZZ3-90008-000	BOLT, FLANGE, 8X26(SUS)	3	3	
E-6	15	HZV5-90131-000	BOLT, DRAIN PLUG	1	1	
E-6	16	HZV4-90507-000	WASHER, PLAIN, 8MM	3	3	
E-6	17	HZE2-90601-000	WASHER, DRAIN PLUG, 12MM	1	1	
E-6	18	HZV5-90756-000	DOWEL PIN, 6X10	2	2	
E-6	19	HMB6-91302-830	O-RING, 13X3.0	2	2	
E-6	20	HCO-94301-06100	DOWEL PIN, 6X10	2	2	
E-6	21	HCO-96300-08060-09	BOLT, FLANGE, 8X60	4	4	



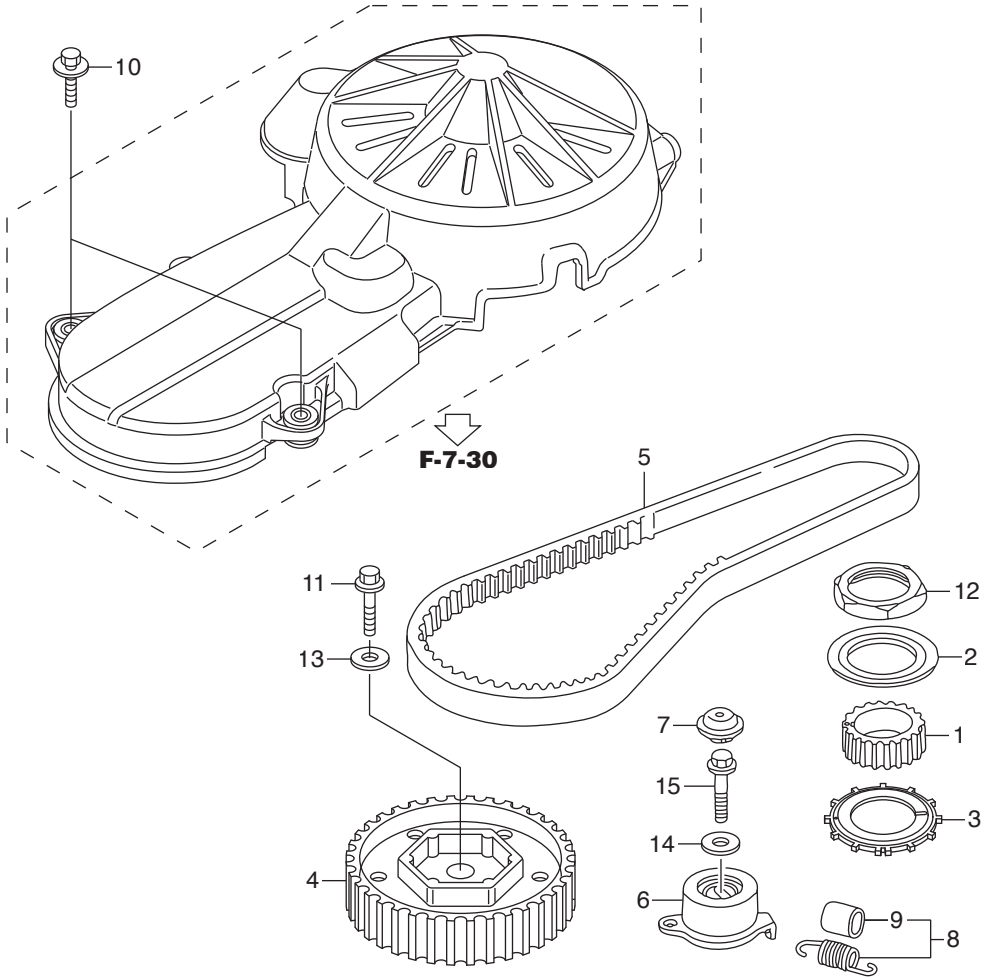
Ref.No.	Part No.	Description	Q' ty		Remarks	
			BFT60A	BFW60A		
E-7	1	HZZ3-13010-010	RING SET, PISTON(STD.)(RIKEN)	3	3	
E-7	2	HZZ3-13101-010	PISTON	3	3	
E-7	3	HPWA-13111-000	PIN, PISTON	3	3	
E-7	4	HPWA-13204-003	BOLT, CONNECTING ROD	6	6	
E-7	5	HZZ3-13210-000	ROD COMP., CONNECTING	3	3	
E-7	6	HPWA-13211-003	BEARING A, CONNECTING ROD	6	6	(BLUE)(DAIDO)
E-7		HPWA-13212-003	BEARING B, CONNECTING ROD	6	6	(BLACK)(DAIDO)
E-7		HPWA-13213-003	BEARING C, CONNECTING ROD	6	6	(BROWN)(DAIDO)
E-7		HPWA-13214-003	BEARING D, CONNECTING ROD	6	6	(GREEN)(DAIDO)
E-7		HPWA-13215-003	BEARING E, CONNECTING ROD	6	6	(YELLOW)(DAIDO)
E-7		HPWA-13216-003	BEARING F, CONNECTING ROD	6	6	(PINK)(DAIDO)
E-7		HPWA-13217-003	BEARING G, CONNECTING ROD(RE D)	6	6	(DAIDO)
E-7	7	HZZ3-13311-000	CRANKSHAFT	1	1	
E-7	8	HPWA-13322-003	BEARING B, MAIN UPPER(BLACK)	4	4	(DAIDO)
E-7		HPWA-13323-003	BEARING C, MAIN UPPER(BROWN)	4	4	(DAIDO)
E-7		HPWA-13324-003	BEARING D, MAIN UPPER(GREEN)	4	4	(DAIDO)
E-7		HPWA-13325-003	BEARING E, MAIN UPPER(YELLOW)	4	4	(DAIDO)
E-7		HPWA-13326-003	BEARING F, MAIN UPPER(PINK)	4	4	(DAIDO)
E-7		HPWA-13327-003	BEARING G, MAIN UPPER(RE D)	4	4	(DAIDO)
E-7		HPWA-13328-003	BEARING H, MAIN UPPER(WHITE)	4	4	(DAIDO)
E-7	9	H357-13331-000	KEY, SPECIAL WOODRUFF, 25X18	1	1	
E-7	10	HZZ3-13331-003	WASHER, THRUST	2	2	
E-7	11	HPWA-13342-003	BEARING B, MAIN LOWER(BLACK)	4	4	(DAIDO)
E-7		HPWA-13343-003	BEARING C, MAIN LOWER(BROWN)	4	4	(DAIDO)
E-7		HPWA-13344-003	BEARING D, MAIN LOWER(GREEN)	4	4	(DAIDO)
E-7		HPWA-13345-003	BEARING E, MAIN LOWER(YELLOW)	4	4	(DAIDO)
E-7		HPWA-13346-003	BEARING F, MAIN LOWER(PINK)	4	4	(DAIDO)
E-7		HPWA-13347-003	BEARING G, MAIN LOWER(RE D)	4	4	(DAIDO)
E-7		HPWA-13348-003	BEARING H, MAIN LOWER(WHITE)	4	4	(DAIDO)



FR. 

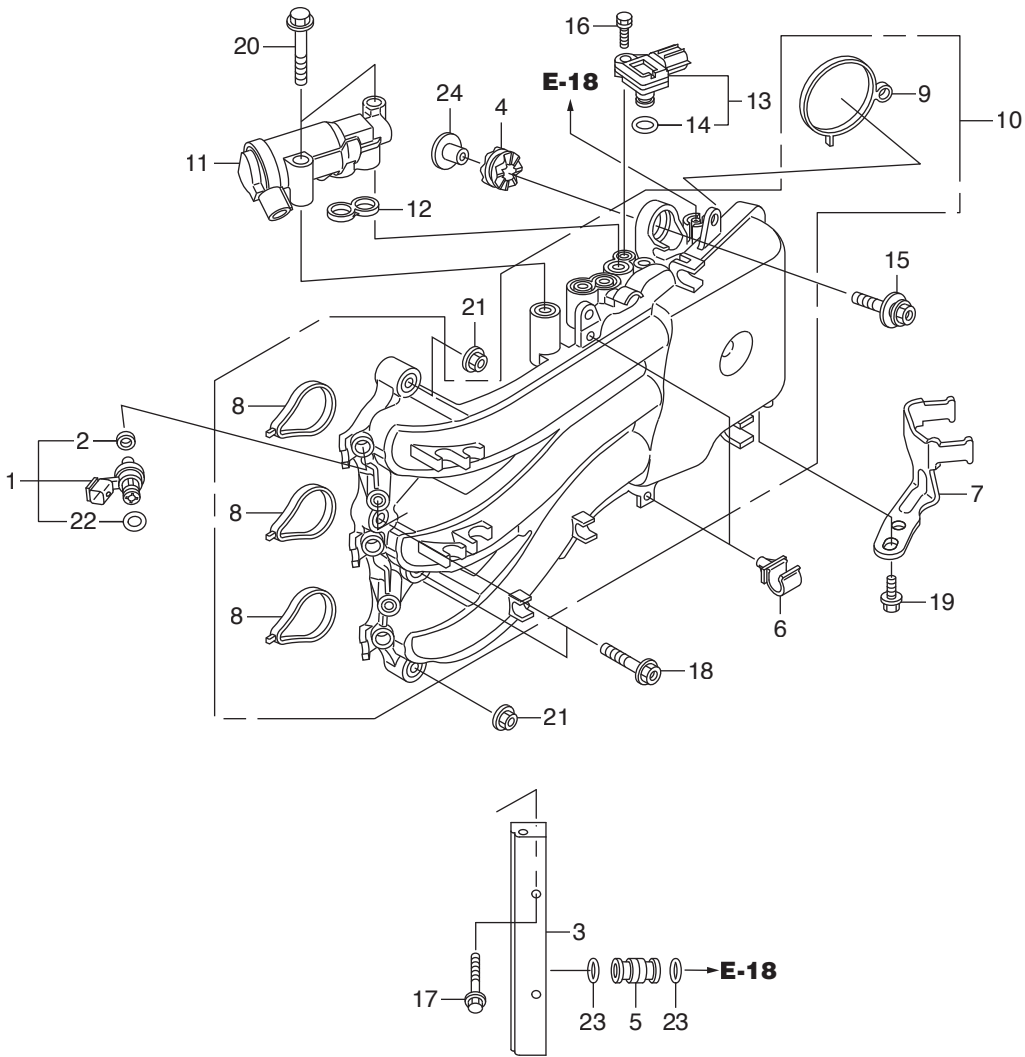


Ref.No.	Part No.	Description	Q' ty		Remarks	
			BFT60A	BFW60A		
E-9	1	HPZ1-12210-004	SEAL A, VALVE STEM(NOK)	6	6	
E-9	2	HPZ1-12211-004	SEAL B, VALVE STEM(NOK)	6	6	
E-9	3	HZZ3-14110-000	CAMSHAFT COMP.	1	1	
E-9	4	HZZ3-14221-003	PLATE, TDC PULSER	1	1	
E-9	5	HPWA-14222-004	BOLT, TDC PULSER PLATE	1	1	
E-9	6	HZY9-14430-000	ARM COMP., IN. VALVE ROCKER	3	3	
E-9	7	HZY9-14441-000	ARM COMP., EX. ROCKER(A)	3	3	
E-9	8	HZY9-14442-000	ARM COMP., EX. ROCKER(B)	3	3	
E-9	9	HZZ3-14631-000	SHAFT COMP., ROCKER	1	1	
E-9	10	HPWA-14647-000	WASHER, THRUST	9	9	
E-9	11	HPY3-14647-000	WASHER, IN. WAVE	3	3	
E-9	12	HPWC-14711-000	VALVE, IN.	6	6	
E-9	13	HRB0-14721-000	VALVE, EX.	6	6	
E-9	14	HPM3-14744-000	SCREW, TAPPET ADJUSTING	12	12	
E-9	15	HZY9-14751-003	SPRING, IN. VALVE	6	6	
E-9	16	HZY9-14752-003	SPRING, EX. VALVE	6	6	
E-9	17	HRGA-14765-000	RETAINER, VALVE SPRING	12	12	
E-9	18	HP08-14775-000	SEAT, VALVE SPRING	12	12	
E-9	19	HRGM-14781-A01	COTTER, VALVE(FUJI VALVE)	24	24	
E-9	20	HPWA-90006-003	BOLT, ROCKER ARM SHAFT	4	4	
E-9	21	HPM3-90206-004	NUT, TAPPET ADJUSTING	12	12	(TOKAI TRW)
E-9	22	HCO-96220-40080	ROLLER, 4X8	1	1	

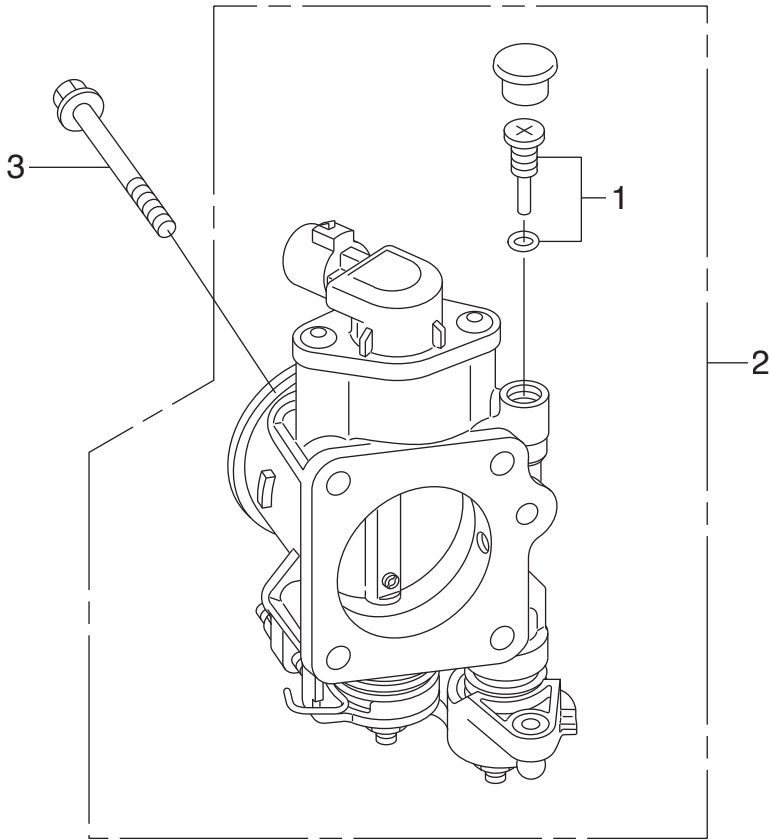


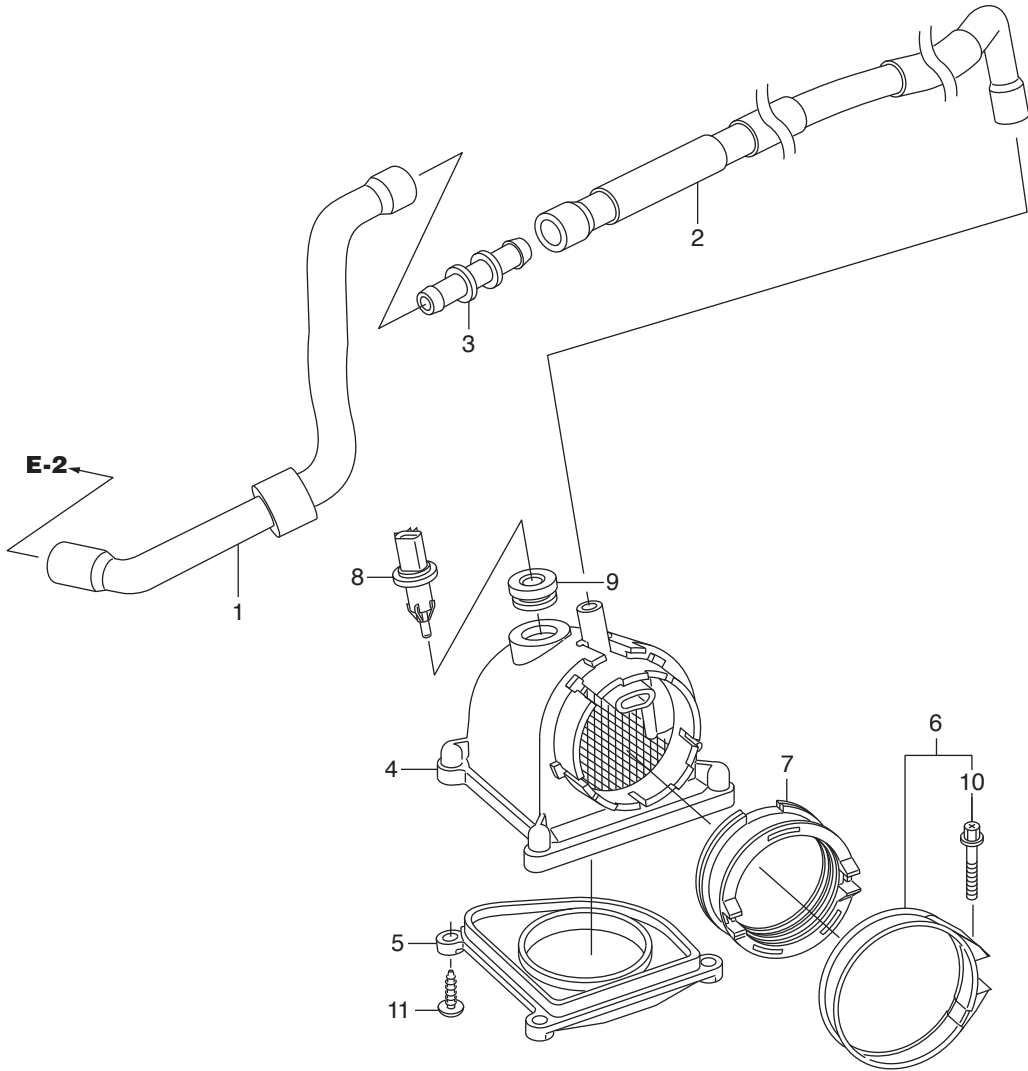
Ref.No.	Part No.	Description	Q' ty		Remarks	
			BFT60A	BFW60A		
E-13	1	HZZ3-13621-000	PULLEY, TIMING BELT DRIVE(19T)	1	1	
E-13	2	HZZ3-13622-000	PLATE, TIMING BELT GUIDE	1	1	
E-13	3	HZZ3-13623-000	PLATE, CRANK PULSER	1	1	
E-13	4	HZZ3-14261-000	PULLEY, TIMING BELT DRIVEN	1	1	(38T)
E-13	5	HZZ3-14400-004	BELT, TIMING(88RU22.5 E-660)	1	1	
E-13	6	HZZ3-14510-003	TENSIONER COMP., TIMING BELT	1	1	
E-13	7	HZY3-14515-000	CAP, TIMING BELT TENSIONER	1	1	
E-13	8	HZV5-14520-020	SPRING COMP., TIMING BELT	1	1	ADJUSTING
E-13	9	HZV5-14522-000	BOOT, SPRING	1	1	
E-13	10	HZW1-90013-000	BOLT-WASHER, 6X25	2	2	
E-13	11	HS04-90190-000	BOLT, FLANGE, 12X38	1	1	
E-13	12	HZZ3-90202-000	NUT, LOCK, 42MM	1	1	
E-13	13	HPC6-90402-000	WASHER, 12.5X34X5	1	1	
E-13	14	HCO-94101-10800	WASHER, PLAIN, 10MM	1	1	
E-13	15	HCO-95701-10040-08	BOLT, FLANGE, 10X40	1	1	

FR. →



Ref.No.	Part No.	Description	Q' ty		Remarks	
			BFT60A	BFW60A		
E-14	1	HZZ3-16450-003	INJECTOR ASSY., FUEL	3	3	
E-14	2	HKPC-16472-D50	RING, SEAL	3	3	
E-14	3	HZZ5-16620-010	LINE COMP., FUEL	1	1	
E-14	4	HZW5-16733-000	GROMMET, VAPOR SEPARATOR	2	2	
E-14	5	HZY3-16752-A00	JOINT, FUEL PIPE	1	1	
E-14	6	HZY9-16896-003	CLAMP B, FUEL TUBE	2	2	
E-14	7	HZZ3-16914-000	STAY, FUEL STRAINER	1	1	
E-14	8	HZZ3-17105-000	PACKING, INTAKE MANIFOLD	3	3	
E-14	9	HZZ5-17107-003	PACKING, THROTTLE BODY	1	1	
E-14	10	HZZ3-17110-003	MANIFOLD COMP., INLET	1	1	
E-14	11	HZZ5-36550-003	VALVE ASSY., ELECTRONIC AIR	1	1	CONTROL
E-14	12	HZY6-36551-003	PACKING, ELECTRONIC AIR	1	1	CONTROL VALVE
E-14	13	HRNA-37830-A01	SENSOR ASSY., MAP	1	1	
E-14	14	HPGK-37835-A01	O-RING	1	1	
E-14	15	HZW1-90014-000	BOLT-WASHER, 8X35	2	2	
E-14	16	HZY3-90029-000	BOLT-WASHER, 5X18	1	1	
E-14	17	HZY3-90031-000	BOLT, FLANGE, 6X32	2	2	
E-14	18	HZY3-90036-000	BOLT, FLANGE, 8X32	2	2	
E-14	19	HZY3-90056-000	BOLT, FLANGE, 6X12	2	2	
E-14	20	HZW4-90126-000	BOLT, FLANGE, 8X45	2	2	
E-14	21	HZY3-90205-000	NUT, FLANGE, 8MM	2	2	
E-14	22	HKPH-91301-701	O-RING, 7.3X2.2	3	3	
E-14	23	HMJ0-91301-003	O-RING, 7.8X1.9(ARAD)	2	2	
E-14	24	HZW1-91554-000	COLLAR, 8.5X14.5	2	2	

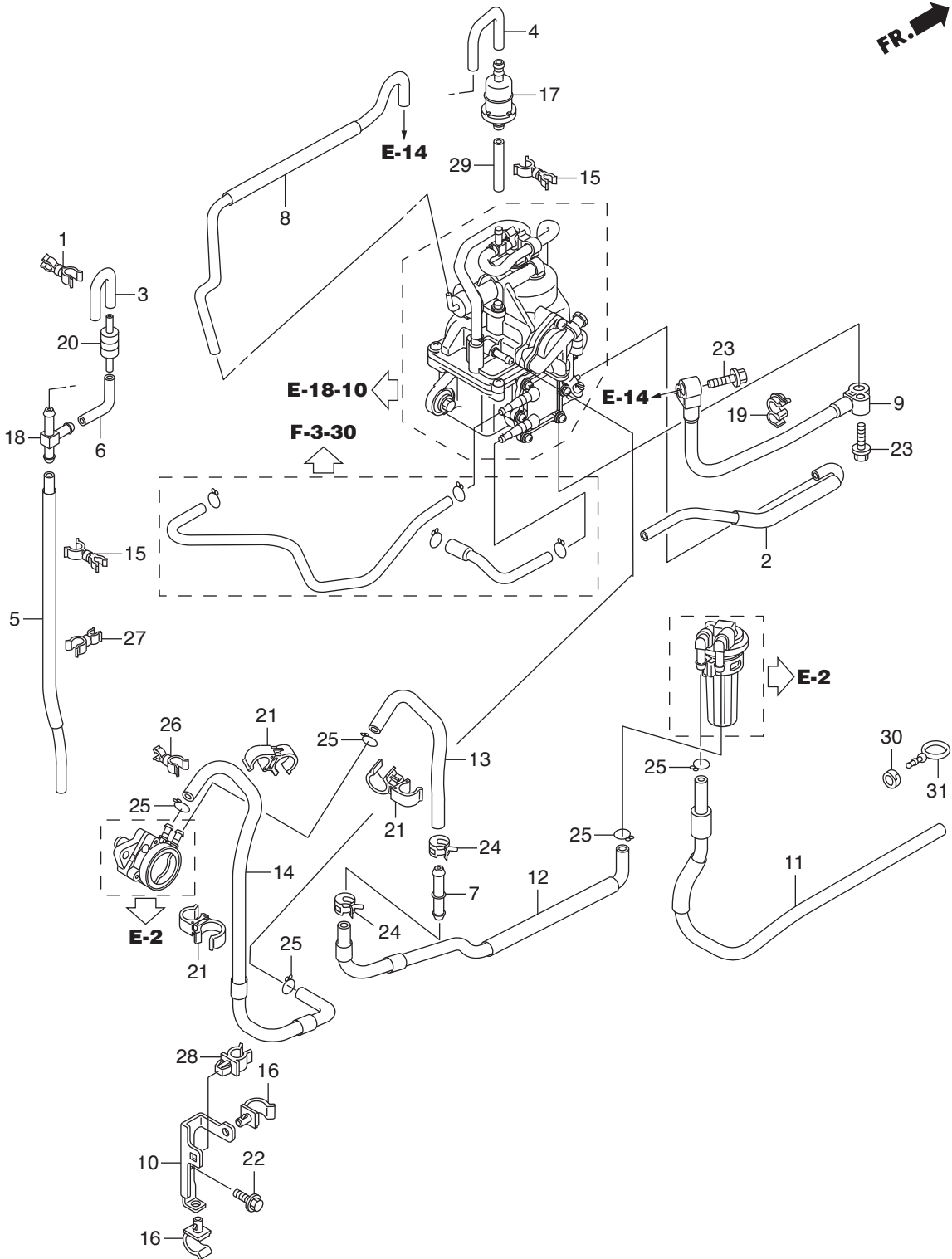




Ref.No.	Part No.	Description	Q'ty		Remarks	
			BFT60A	BFW60A		
E-15-10	1	HZZ3-12357-000	TUBE COMP. A, BREATHER	1	1	
E-15-10	2	HZZ3-12359-000	TUBE COMP. B, BREATHER	1	1	
E-15-10	3	HMR5-16966-000	JOINT, FUEL TUBE	1	1	
E-15-10	4	HZZ3-17201-000	GUIDE COMP., AIR	1	1	
E-15-10	5	HZZ3-17202-000	PLATE, AIR GUIDE	1	1	
E-15-10	6	HZZ5-17315-000	BAND, AIR FLOW	1	1	
E-15-10	7	HZZ5-17374-000	GROMMET, AIR GUIDE	1	1	
E-15-10	8	HPLC-37880-004	SENSOR ASSY., AIR TEMP	1	1	(MATSUSHITA DENSHI)
E-15-10	9	HP2A-37881-000	GROMMET, TA SENSOR	1	1	
E-15-10	10	HZZ5-90001-000	BOLT, CLAMP, 4X35	1	1	
E-15-10	11	HCO-93903-254G0	SCREW, TAPPING, 5X20	4	4	

E-18 TUBING

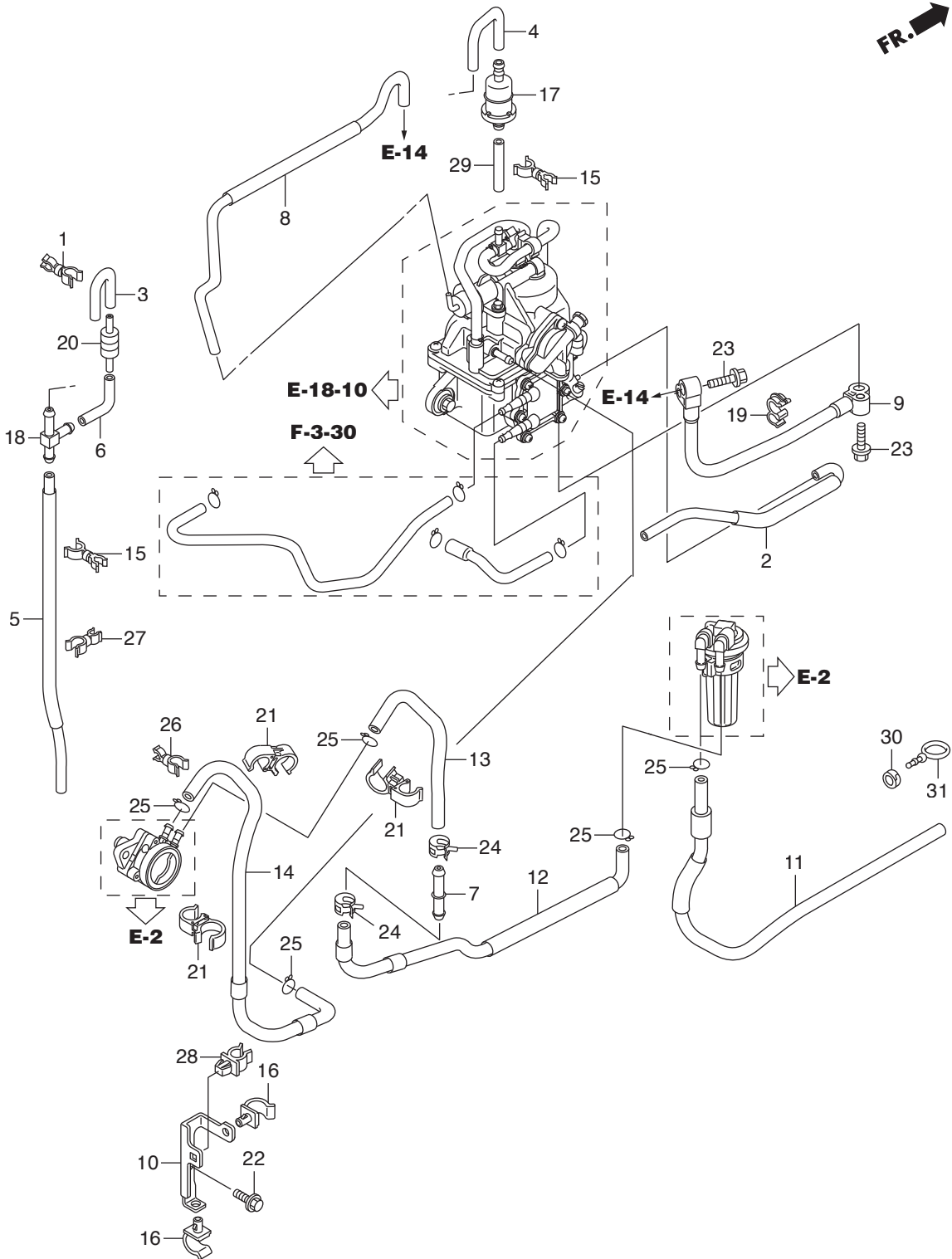
FR. 



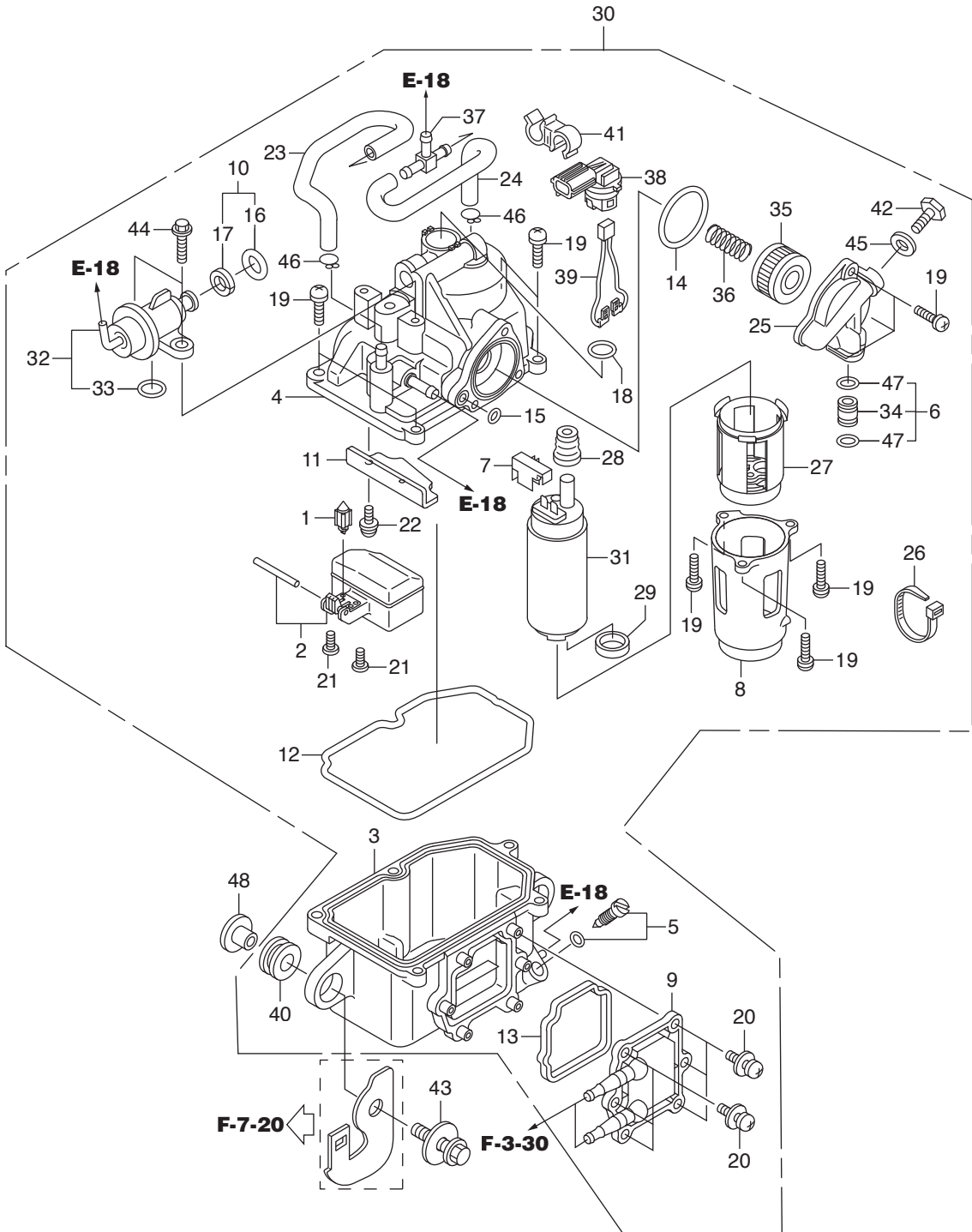
Ref.No.	Part No.	Description	Q' ty		Remarks	
			BFT60A	BFW60A		
E-18	1	HMCG-15562-000	CLAMP, OIL HOSE	1	1	
E-18	2	HZZ3-16192-000	TUBE COMP., DRAIN	1	1	
E-18	3	HZY9-16196-000	TUBE B, CHECK VALVE	1	1	
E-18	4	HZZ3-16197-000	TUBE C, AIR VENT	1	1	
E-18	5	HZZ3-16198-000	TUBE D, AIR VENT	1	1	
E-18	6	HZZ3-16199-000	TUBE E, AIR VENT	1	1	
E-18	7	HRMA-16723-E00	JOINT, FUEL FEED HOSE	1	1	
E-18	8	HZZ3-16748-000	TUBE, PRESSURE REGULATOR	1	1	CONTROL
E-18	9	HZZ3-16755-003	HOSE COMP., FUEL	1	1	
E-18	10	HZZ3-16816-000	BRACKET, TUBE CLAMP	1	1	
E-18	11	HZZ3-16850-000	TUBE COMP. A, FUEL	1	1	
E-18	12	HZZ3-16865-000	TUBE COMP. B, FUEL	1	1	
E-18	13	HZZ3-16866-000	TUBE D, FUEL	1	1	
E-18	14	HZZ3-16871-000	TUBE C, FUEL	1	1	
E-18	15	HZZ3-16895-003	CLAMP, AIR VENT TUBE	2	2	
E-18	16	HZY9-16896-003	CLAMP B, FUEL TUBE	2	2	
E-18	17	HZV4-16910-015	STRAINER COMP., FUEL	1	1	
E-18	18	HMCT-16961-010	JOINT, THREE WAY	1	1	
E-18	19	HPY3-17439-A01	CLAMP, TUBE(7.5-11.5)(BLACK)	1	1	
E-18	20	HZY6-36135-003	VALVE, CHECK	1	1	
E-18	21	HSE0-53740-953	CLIP, SENSOR HOSE	3	3	
E-18	22	HZW9-90011-000	BOLT, FLANGE, 6X14(CT200)	1	1	
E-18	23	HHW1-90205-670	BOLT, FLANGE, 6X25	2	2	
E-18	24	HZW5-90602-030	CLAMP, TUBE(D12)	2	2	
E-18	25	HZV0-90604-000	CLIP, TUBE(B12)	5	5	
E-18	26	HZW5-90652-003	CLAMP, 6MM-12MM	1	1	
E-18	27	HMB1-90655-921	CLIP, WIRE	1	1	
E-18	28	HSZ5-91531-003	CLIP, TUBE, 3.5	1	1	
E-18	29	HCO-95001-55035-40	TUBE, FUEL, 5.3X35	1	1	(HC-95001-55001-60M)

E-18 TUBING

FR. 

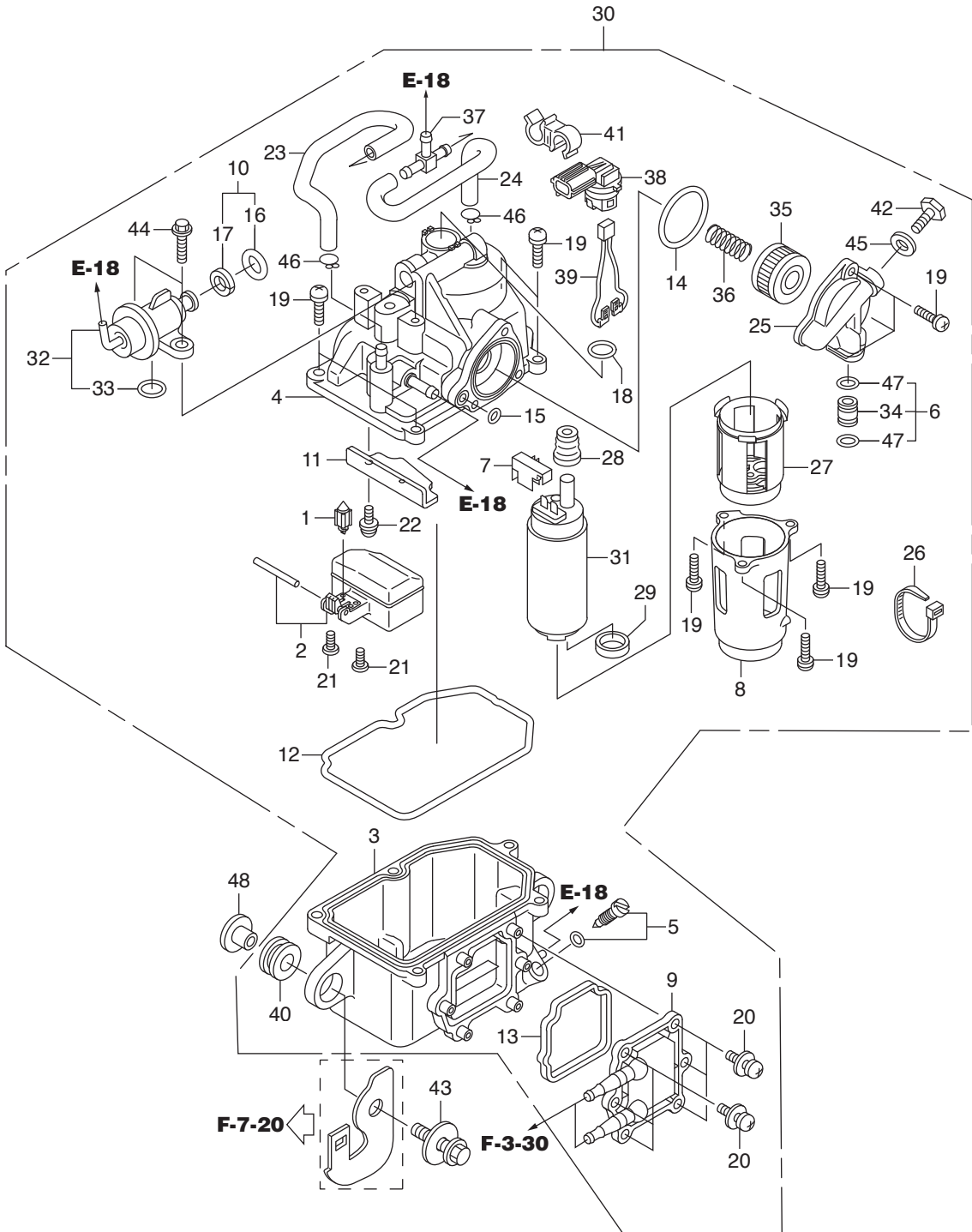


FR. →



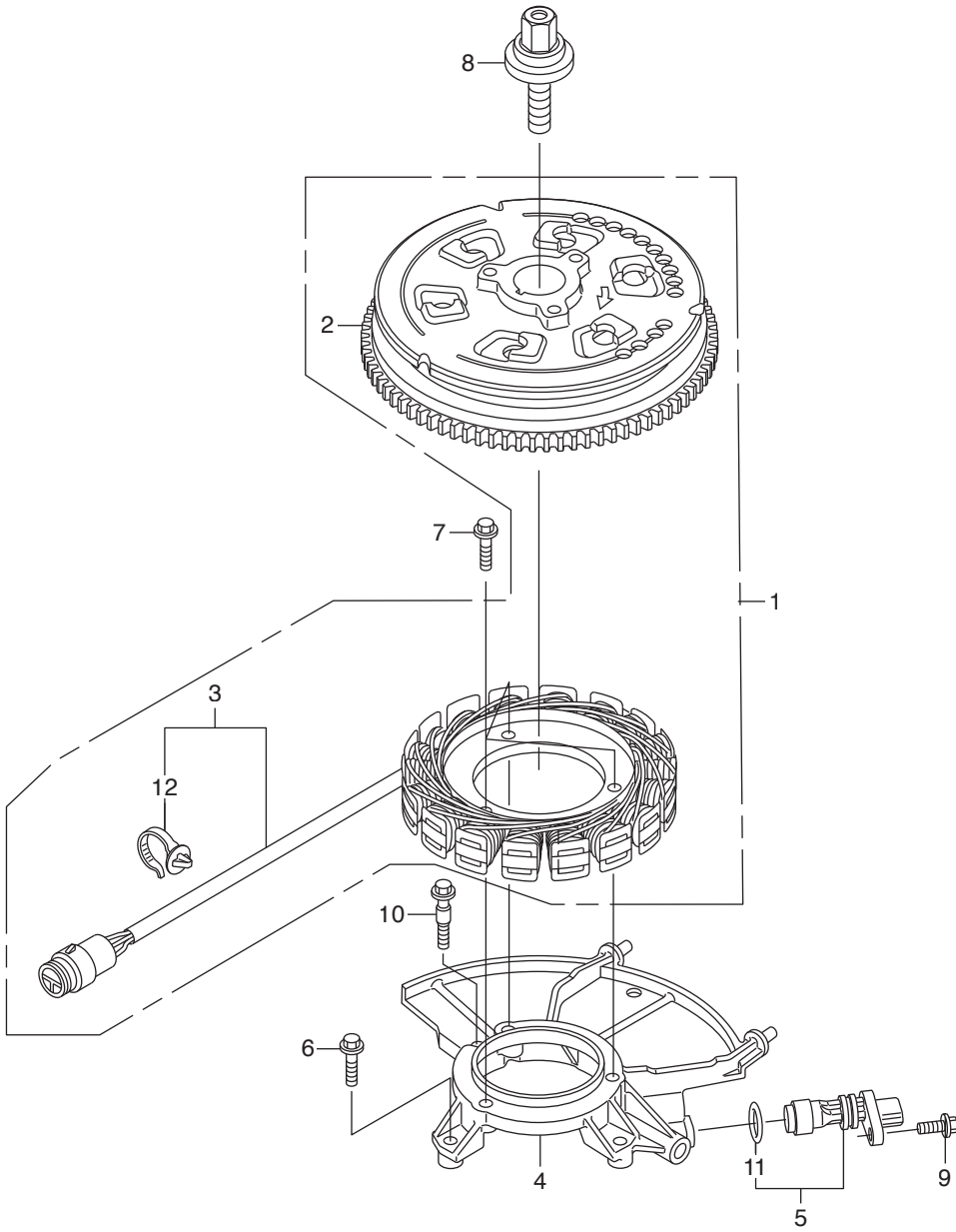
Ref.No.	Part No.	Description	Q' ty		Remarks	
			BFT60A	BFW60A		
E-18-10	1	HZY3-16011-A01	VALVE SET, FLOAT	1	1	
E-18-10	2	HZZ5-16013-003	FLOAT SET	1	1	
E-18-10	3	HZZ3-16019-003	BODY	1	1	
E-18-10	4	HZZ3-16020-003	COVER COMP.	1	1	
E-18-10	5	HZY3-16024-000	SCREW SET, DRAIN	1	1	
E-18-10	6	HZY3-16026-000	JOINT SET	1	1	
E-18-10	7	HZZ5-16041-003	COVER	1	1	
E-18-10	8	HZZ5-16042-003	HOLDER	1	1	
E-18-10	9	HZZ5-16061-003	COVER, WATER JACKET	1	1	
E-18-10	10	HZZ5-16063-003	SEAL SET	1	1	
E-18-10	11	HZZ5-16064-003	PLATE	1	1	
E-18-10	12	HZZ5-16066-003	O-RING	1	1	
E-18-10	13	HZZ5-16072-003	PACKING	1	1	
E-18-10	14	HZZ5-16073-003	O-RING	1	1	
E-18-10	15	HZZ5-16074-003	O-RING	1	1	
E-18-10	16	HZZ5-16075-003	O-RING	1	1	
E-18-10	17	HZZ5-16076-003	RING, BACKUP	1	1	
E-18-10	18	HZZ5-16077-003	O-RING	1	1	
E-18-10	19	HZW5-16081-010	SCREW-WASHER	11	11	
E-18-10	20	HZY9-16081-003	SCREW-WASHER	6	6	
E-18-10	21	HZY3-16082-000	SCREW, PAN	2	2	
E-18-10	22	HZY3-16083-000	SCREW, WASHER	1	1	
E-18-10	23	HZZ3-16195-000	TUBE A, AIR VENT	1	1	
E-18-10	24	HZZ3-16196-000	TUBE B, AIR VENT	1	1	
E-18-10	25	HZZ3-16708-003	COVER	1	1	
E-18-10	26	HZZ5-16709-003	BAND	1	1	
E-18-10	27	HZZ5-16718-003	INSULATOR COMP.	1	1	
E-18-10	28	HZY9-16721-003	INSULATOR	1	1	
E-18-10	29	HZY6-16723-003	RING	1	1	

FR. →

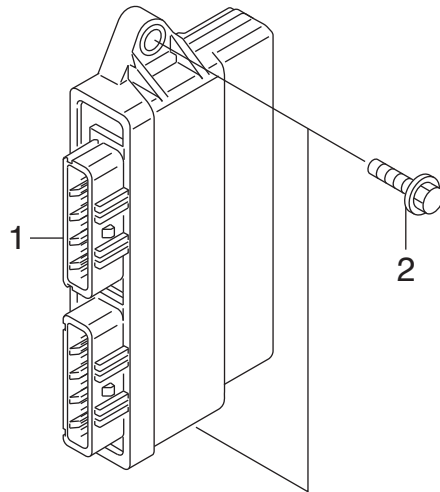


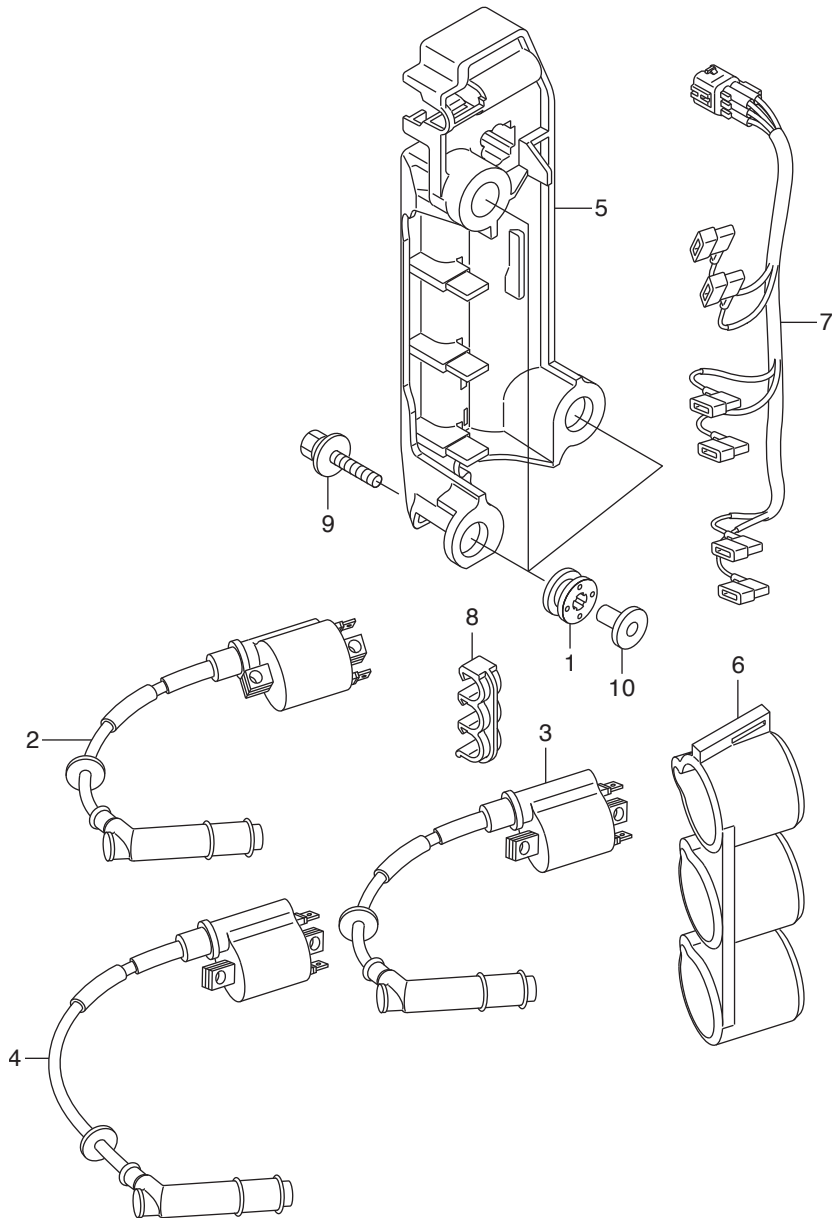
Ref.No.	Part No.	Description	Q' ty		Remarks	
			BFT60A	BFW60A		
E-18-10	30	HZZ3-16730-003	SEPARATOR ASSY., VAPOR	1	1	
E-18-10	31	HZZ5-16735-003	PUMP UNIT, FUEL	1	1	
E-18-10	32	HZZ5-16740-003	REGULATOR ASSY., PRESSURE	1	1	
E-18-10	33	HPG7-16741-005	O-RING, PRESSURE REGULATOR	1	1	
E-18-10	34	HZY3-16752-000	JOINT, FUEL PIPE	1	1	
E-18-10	35	HZZ5-16911-003	SCREEN COMP., FUEL STRAINER	1	1	
E-18-10	36	HZZ5-16913-003	SPRING, COMPRESSION	1	1	
E-18-10	37	HME9-16960-000	PIPE, THREE WAY JOINT	1	1	
E-18-10	38	HZZ5-32166-003	COUPLER COMP.	1	1	
E-18-10	39	HZZ5-32167-003	HARNESS COMP.	1	1	
E-18-10	40	HZV5-40102-000	GROMMET, UNDER CASE	2	2	
E-18-10	41	HSJ6-47585-003	CLIP, R. BRAKE WIRE	1	1	
E-18-10	42	HPP4-90009-E01	BOLT, SEALING, 6MM	1	1	
E-18-10	43	HZW1-90013-000	BOLT-WASHER, 6X25	2	2	
E-18-10	44	HZY3-90021-000	BOLT, FLANGE, 6X14	2	2	
E-18-10	45	HPD6-90430-003	WASHER, SEALING, 6MM	1	1	
E-18-10	46	HZV4-90603-000	CLIP, TUBE(B10)	2	2	
E-18-10	47	HMJ0-91301-003	O-RING, 7.8X1.9(ARAI)	2	2	
E-18-10	48	HZV5-91553-010	COLLAR, C.D.I. UNIT CASE	2	2	

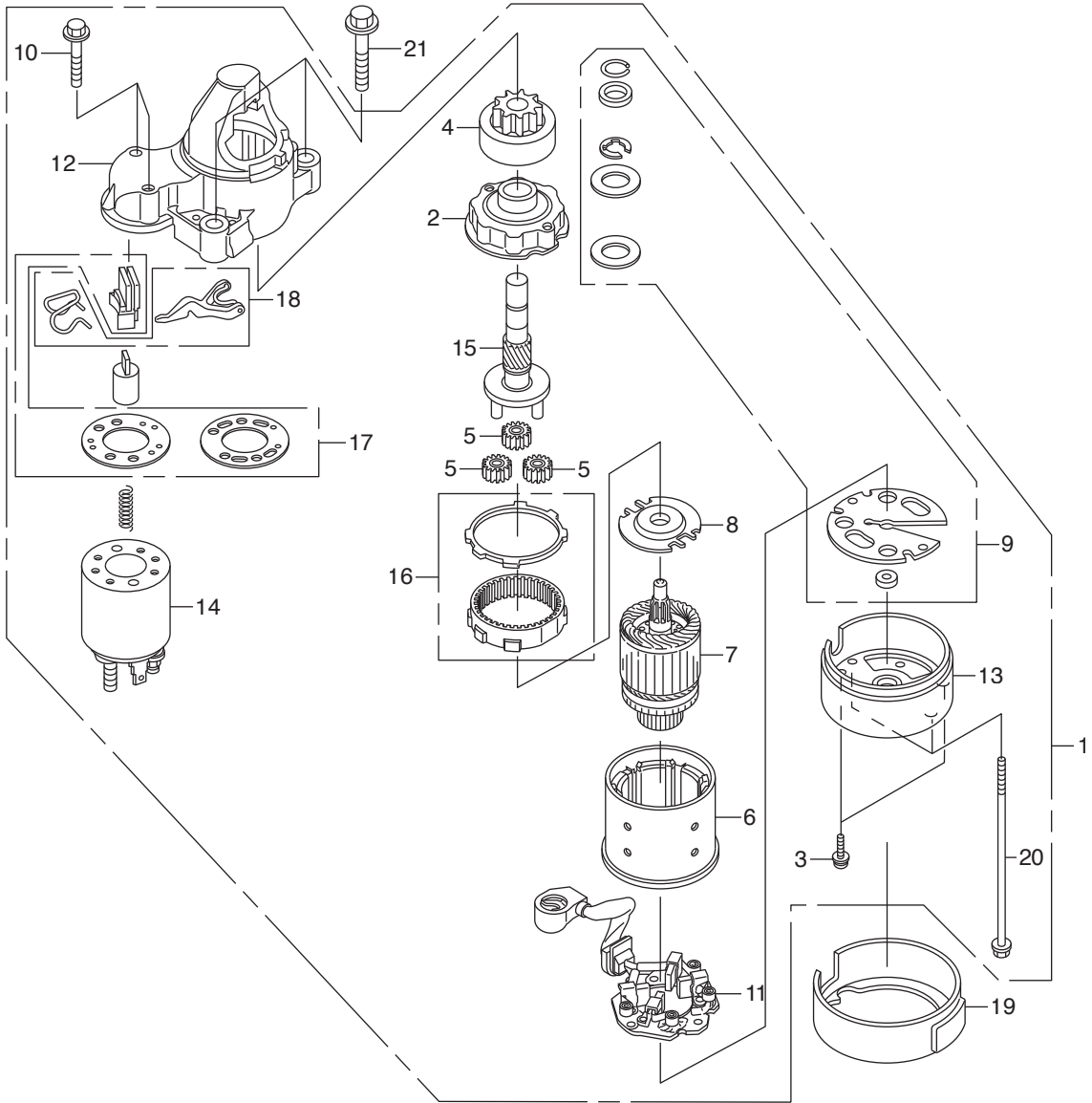
FR. 



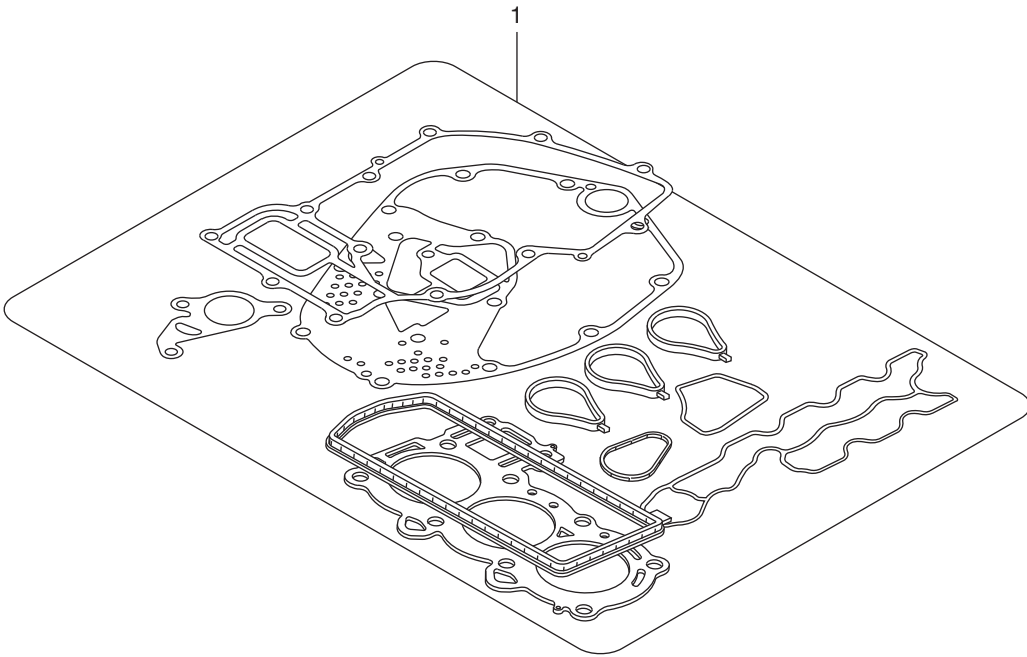
Ref.No.	Part No.	Description	Q'ty		Remarks	
			BFT60A	BFW60A		
E-19	1	HZZ3-31630-003	GENERATOR ASSY., A.C.	1	1	
E-19	2	HZZ3-31631-003	ROTOR	1	1	
E-19	3	HZZ3-31632-003	STATOR	1	1	
E-19	4	HZZ3-31636-000	BRACKET, A.C. GENERATOR	1	1	
E-19	5	HPNB-37500-003	SENSOR ASSY., CRANK	1	1	
E-19	6	HZW9-90016-000	BOLT, FLANGE, 6X25	2	2	
E-19	7	HZY3-90016-000	BOLT, FLANGE, 6X28	3	3	
E-19	8	HRWC-90017-A01	BOLT-WASHER, 16X49	1	1	
E-19	9	HZY3-90017-000	BOLT, FLANGE, 6X16	1	1	
E-19	10	HZY6-90023-000	BOLT, SPECIAL, 6X31	2	2	
E-19	11	HPNA-91333-003	O-RING, 15X1.9	1	1	
E-19	12	HS0A-91540-003	CLIP, HARNESS BAND(NATURAL)	1	1	(96.9MM)

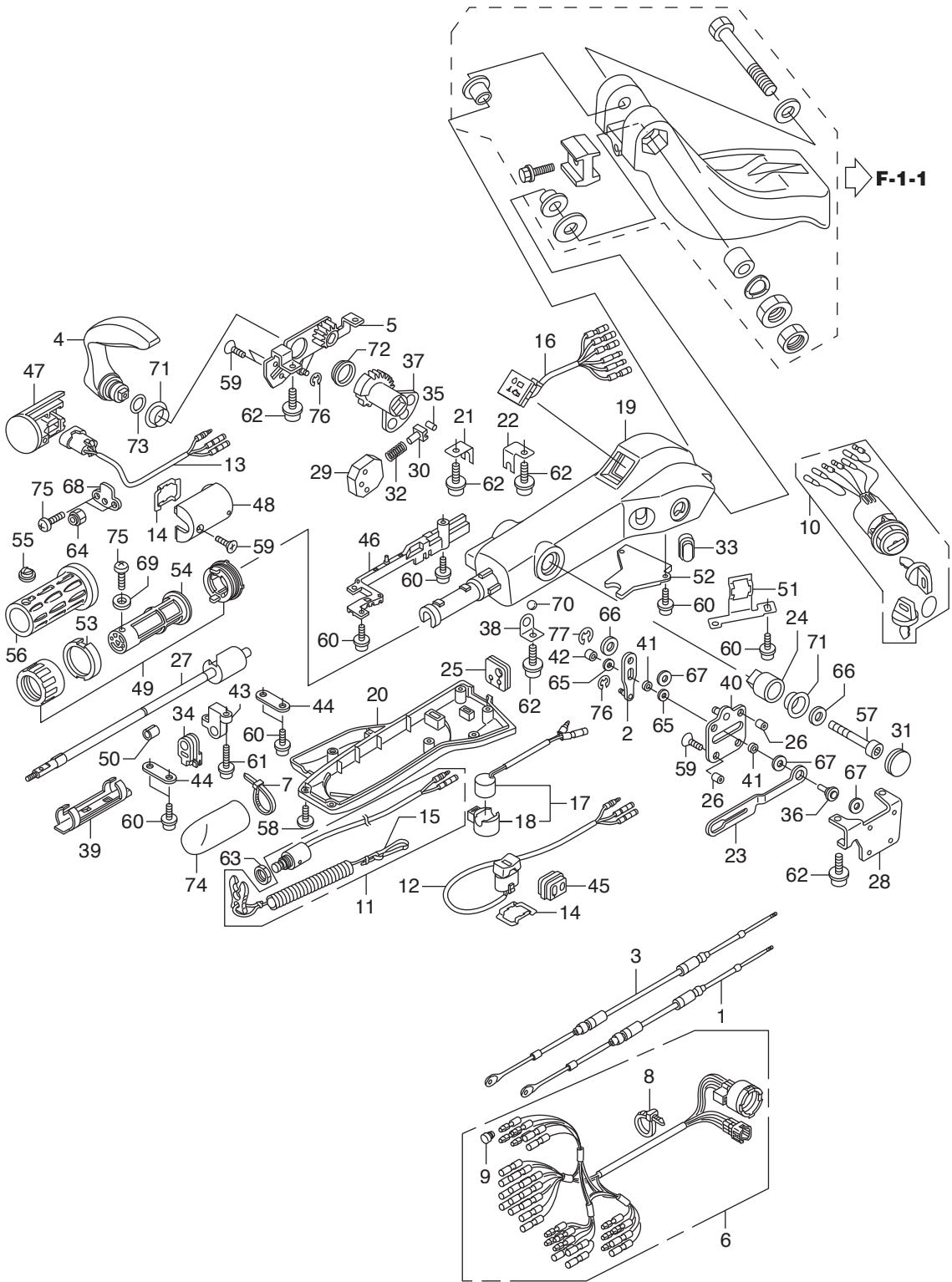






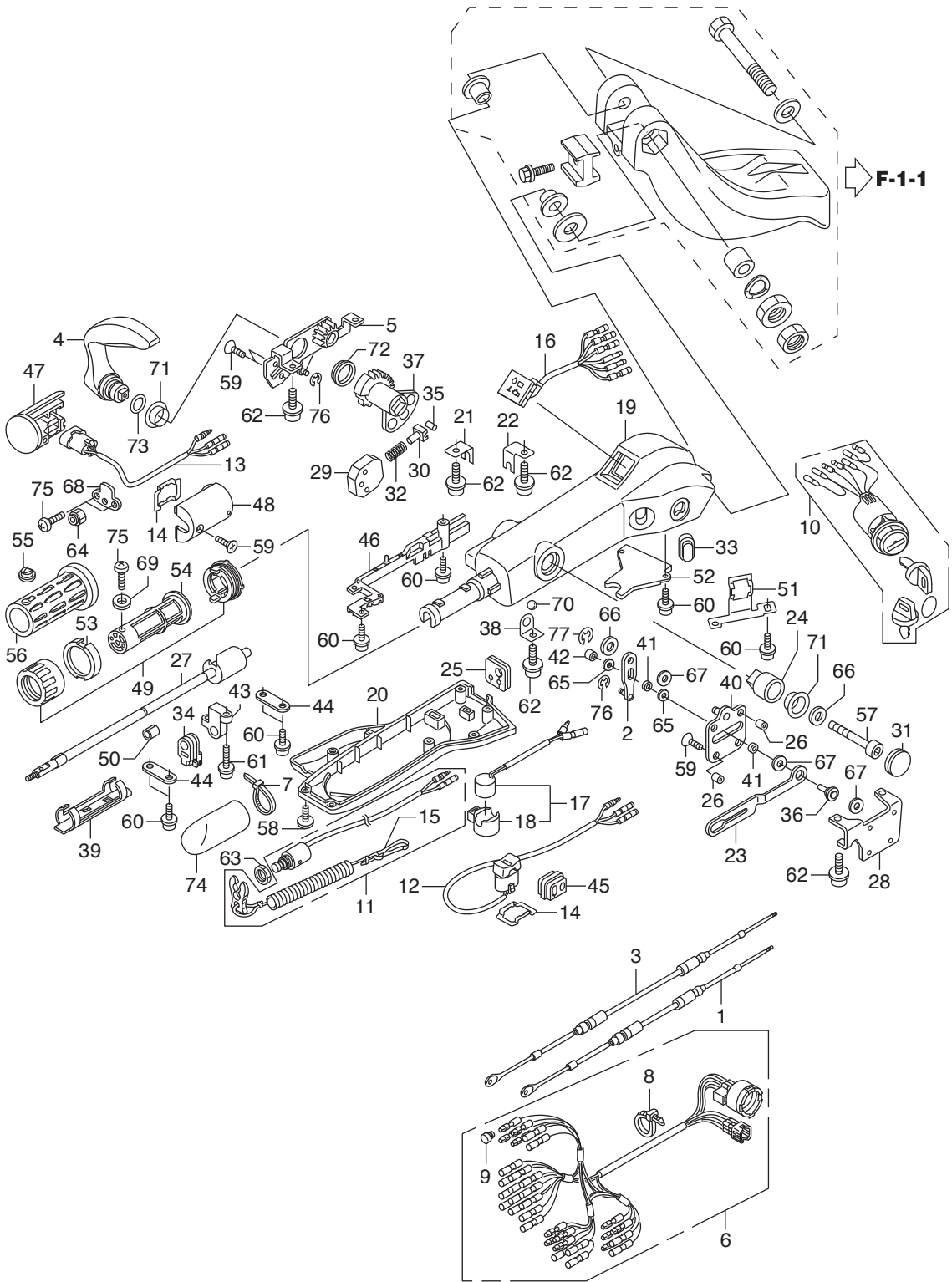
Ref.No.	Part No.	Description	Q'ty		Remarks	
			BFT60A	BFW60A		
E-21	1	HZZ3-31200-003	MOTOR ASSY., STARTER	1	1	
E-21	2	HZZ3-31212-003	BRACKET ASSY., CENTER	1	1	
E-21	3	HZZ3-31213-003	SCREW,(M4X16)	2	2	
E-21	4	HZZ3-31214-003	PINION ASSY.	1	1	
E-21	5	HZZ3-31215-003	GEAR, PLANET	3	3	
E-21	6	HZZ3-31216-003	YOKE ASSY.	1	1	
E-21	7	HZZ3-31217-003	ARMATURE ASSY.	1	1	
E-21	8	HZZ3-31224-003	BRACKET, CENTER	1	1	
E-21	9	HZZ3-31225-003	STOPPER SET, WASHER	1	1	
E-21	10	HZZ3-31226-003	BOLT(M6X37)	2	2	
E-21	11	HZZ3-31231-003	HOLDER ASSY., BRUSH	1	1	
E-21	12	HZZ3-31235-003	CASE ASSY., GEAR	1	1	
E-21	13	HZZ3-31236-003	COVER ASSY., RR.	1	1	
E-21	14	HZZ3-31240-003	SWITCH ASSY., MAGNETIC	1	1	
E-21	15	HZZ3-31246-003	SHAFT, PINION	1	1	
E-21	16	HZZ3-31247-003	GEAR ASSY., INTERNAL	1	1	
E-21	17	HZZ3-31249-003	COVER KIT, DUST	1	1	
E-21	18	HZZ3-31250-003	LEVER SET, SHIFT	1	1	
E-21	19	HZZ3-31258-000	SUSPENSION, STARTER	1	1	
E-21	20	HZZ3-31261-003	BOLT, THROUGH	2	2	
E-21	21	HZW4-90126-000	BOLT, FLANGE, 8X45	2	2	





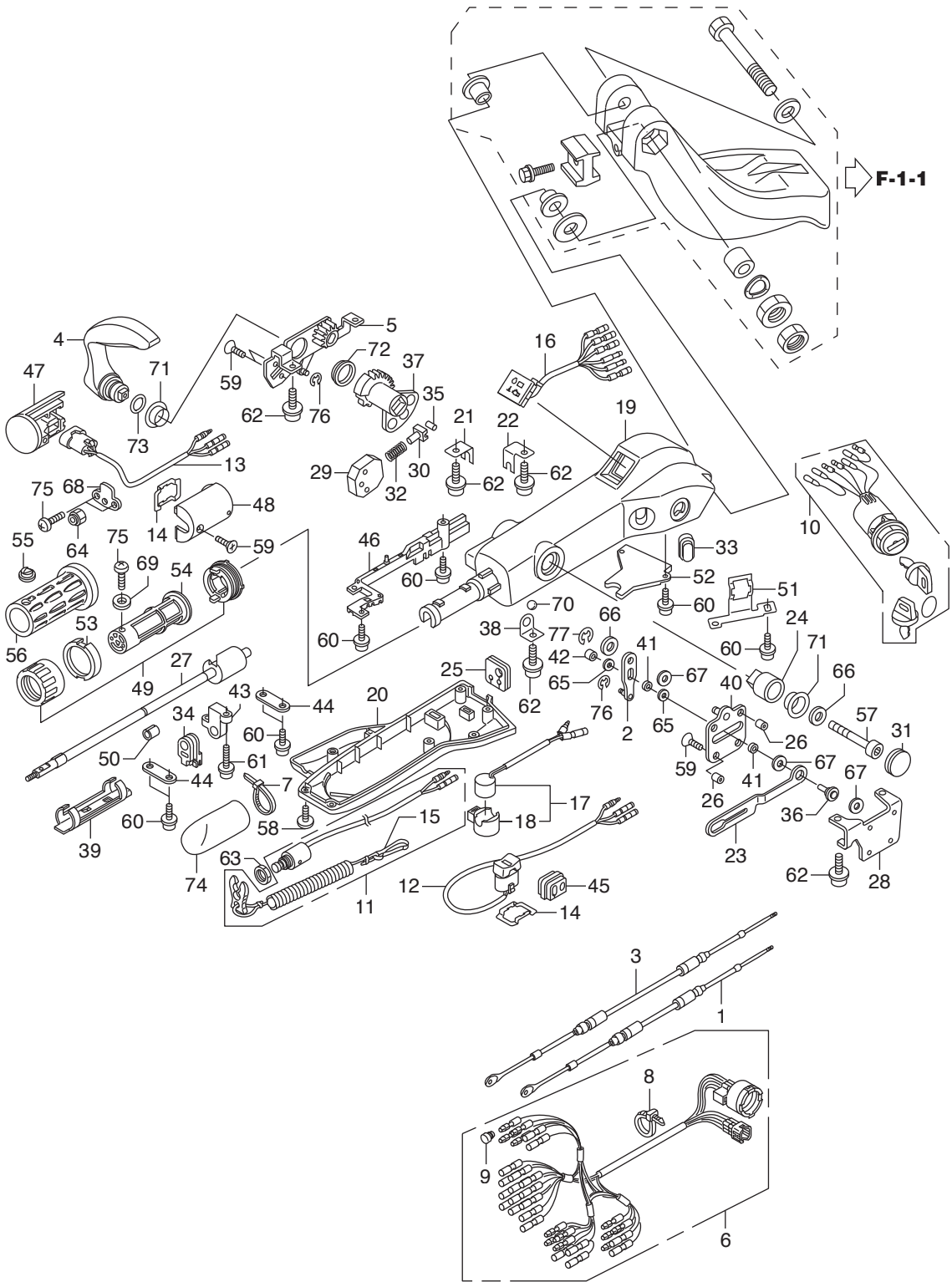
FR.

Ref.No.	Part No.	Description	Q' ty		Remarks	
			BFT60A	BFW60A		
F-1	1	HZZ3-17910-A41	CABLE, THROTTLE	1		LHTD
F-1	2	HZZ3-17931-A41	ARM ASSY., THROTTLE	1		LHTD
F-1	3	HZZ3-24590-A41	CABLE, SHIFT	1		LHTD
F-1	4	HZZ3-24614-A41	LEVER, SHIFT	1		LHTD
F-1	5	HZZ3-24615-A41	FRAME ASSY., SHIFT	1		LHTD
F-1	6	HZZ3-32538-A41	CABLE ASSY. A, LONG HANDLE	1		LHTD
F-1	7	HZW4-32543-H01	BAND(CONVEX CV-150)	1		LHTD
F-1	8	HZW4-32544-H01	BAND(CONVEX CV-200)	2		LHTD
F-1	9	HZV5-32823-003	PLUG, INNER CONNECTOR	13		LHTD
F-1	10	HZZ3-35100-R01	SWITCH ASSY., COMBINATION	1		LHTD
F-1	11	HZZ3-35180-A42	SWITCH ASSY., EMERGENCY STOP	1		LHTD
F-1	12	HZZ3-35340-A42	SWITCH ASSY., TROLLING CONTROL	1		LHTD
F-1	13	HZZ3-35640-A41	SWITCH ASSY., POWER TILT	1		LHTD
F-1	14	HZZ3-35645-A41	PLATE, SWITCH	2		LHTD
F-1	15	HZV4-36182-651	CORD COMP., EMERGENCY	1		LHTD
F-1	16	HZY9-37210-A02	LAMP ASSY., INDICATOR	1		LHTD
F-1	17	HZY9-38400-A00	BUZZER ASSY., WARNING	1		LHTD
F-1	18	HZY9-38402-A00	SUSPENSION, WARNING BUZZER	1		LHTD
F-1	19	HZZ3-53101-A41ZD	HOUSING	1		*T107* BAY BLUE LHTD
F-1	20	HZZ3-53102-A41	COVER, UNDER	1		LHTD
F-1	21	HZZ3-53103-A41	CLAMP, SHIFT CABLE	1		LHTD
F-1	22	HZZ3-53104-A41	CLAMP, THROTTLE CABLE	1		LHTD
F-1	23	HZZ3-53105-A41	PLATE, LOCK	1		LHTD
F-1	24	HZZ3-53106-A41	STOPPER, SHIFT	1		LHTD
F-1	25	HZZ3-53108-A41	GROMMET	1		LHTD
F-1	26	HZZ3-53109-A41	SPACER	4		LHTD
F-1	27	HZZ3-53110-A41	SHAFT ASSY., THROTTLE	1		LHTD
F-1	28	HZZ3-53111-A41	FRAME, THROTTLE	1		LHTD
F-1	29	HZZ3-53112-A41	GUIDE, SPRING	1		LHTD



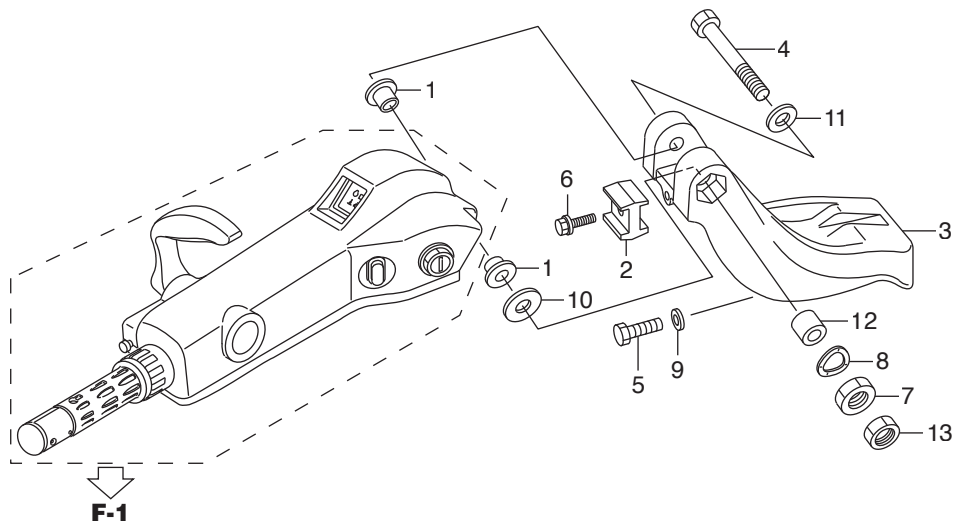
FR.

Ref.No.	Part No.	Description	Q' ty		Remarks
			BFT60A	BFW60A	
F-1	30	HZW4-53113-H01	ACTUATOR	1	LHTD
F-1	31	HZZ3-53113-A41	CAP	1	LHTD
F-1	32	HZZ3-53114-A41	SPRING	1	LHTD
F-1	33	HZW4-53115-H02	GROMMET, POWER TILT SWITCH	1	LHTD
F-1	34	HZZ3-53115-A41	GROMMET, POWER TILT SWITCH	1	LHTD
F-1	35	HZW4-53116-H01	ROLLER	1	LHTD
F-1	36	HZZ3-53117-A41	PIN, SLIDE	1	LHTD
F-1	37	HZZ3-53118-A41	GEAR, SHIFT	1	LHTD
F-1	38	HZZ3-53119-A41	PLATE, BALL GUIDE	1	LHTD
F-1	39	HZZ3-53120-A41	GUIDE, THROTTLE HARNESS	1	LHTD
F-1	40	HZZ3-53121-A41	FRAME ASSY., THROTTLE SUB	1	LHTD
F-1	41	HZZ3-53122-A41	ROLLER, PLATE	2	LHTD
F-1	42	HZZ3-53123-A41	ROLLER, CAM	1	LHTD
F-1	43	HZZ3-53124-A41	STAY	1	LHTD
F-1	44	HZZ3-53125-A41	PLATE, SHIFT CLAMP	2	LHTD
F-1	45	HZZ3-53126-A41	GROMMET, SIDE	1	LHTD
F-1	46	HZZ3-53127-A41	GUIDE, HARNESS	1	LHTD
F-1	47	HZZ3-53128-A41	BOX ASSY., POWER TILT SWITCH	1	1 LHTD
F-1	48	HZZ3-53129-A41	BOX ASSY., POWER TILT SWITCH	1	2 LHTD
F-1	49	HZW9-53130-000	GRIP ASSY., THROTTLE FRICTION	1	LHTD
F-1	50	HZZ3-53130-A41	BUSH, THROTTLE SHAFT	1	LHTD
F-1	51	HZZ3-53131-A41	HOLDER, SWITCH	1	LHTD
F-1	52	HZZ3-53132-A41	PLATE, HARNESS	1	LHTD
F-1	53	HZW9-53133-000	PAD, THROTTLE FRICTION	1	LHTD
F-1	54	HZZ3-53141-A41	PIPE, THROTTLE GRIP	1	LHTD
F-1	55	HZZ3-53142-A41	CAP, GRIP	1	LHTD
F-1	56	HZZ3-53165-000	RUBBER, GRIP	1	LHTD
F-1	57	HZZ3-90103-A41	BOLT, SOCKET, 8X70	1	LHTD
F-1	58	HZW4-90104-H01	BOLT(M5X12)	8	LHTD

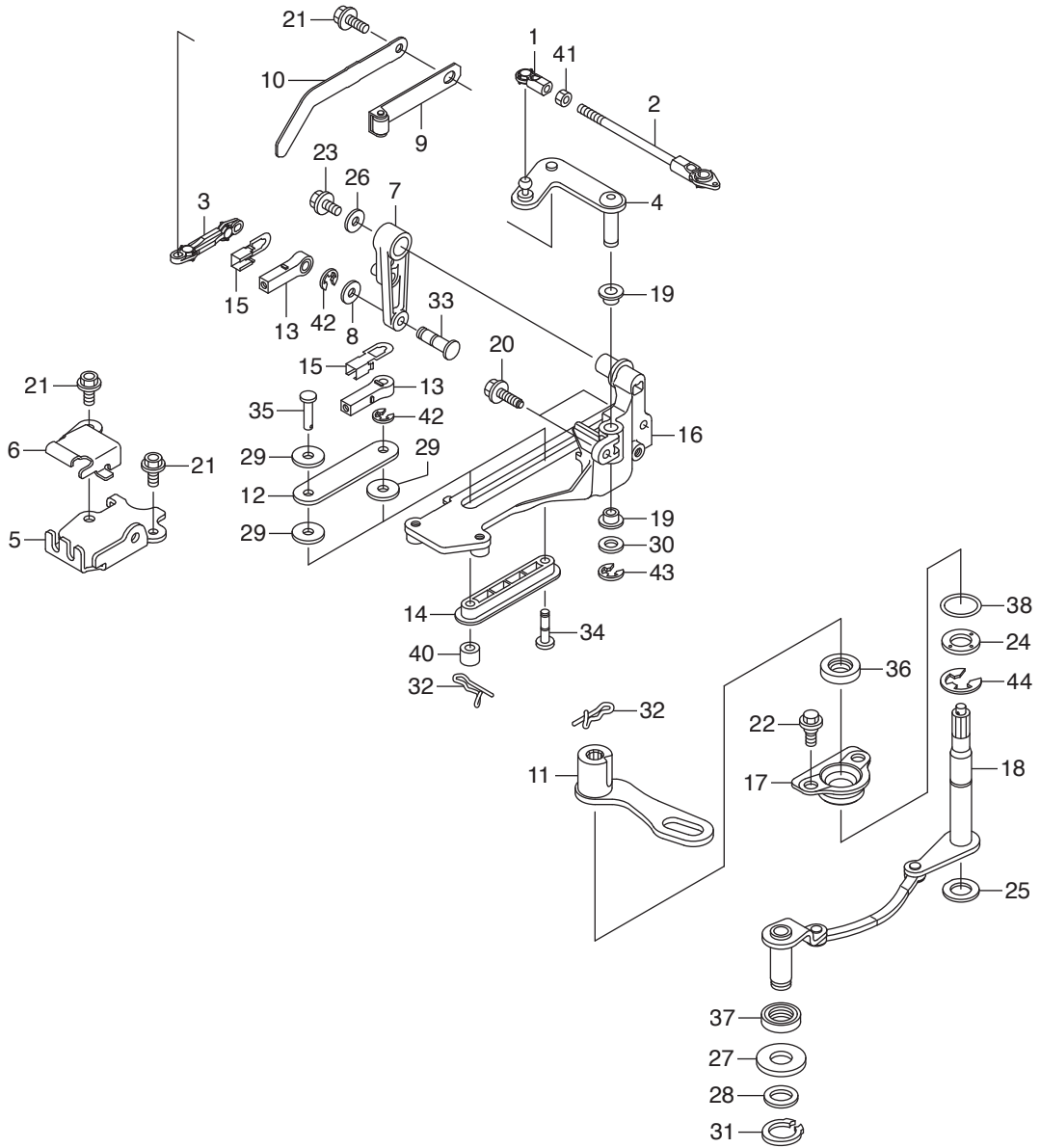


FR.

Ref.No.	Part No.	Description	Q' ty		Remarks
			BFT60A	BFW60A	
F-1	59	HZZ3-90111-A41	SCREW, FLAT, 5X14	7	LHTD
F-1	60	HZZ3-90112-A41	BOLT, 5X12	11	LHTD
F-1	61	HZZ3-90113-A41	BOLT, 5X20	2	LHTD
F-1	62	HZZ3-90114-A41	BOLT, 6X15	7	LHTD
F-1	63	H921-90302-000	NUT, HEX., 16MM	1	LHTD
F-1	64	HZZ3-90305-A41	NUT, NYLON, 5MM	1	LHTD
F-1	65	HZZ3-90501-A41	WASHER	2	LHTD
F-1	66	HZW4-90502-H02	WASHER, 8MM	2	LHTD
F-1	67	HZZ3-90502-A41	WASHER	3	LHTD
F-1	68	HZZ3-90503-A41	WASHER, PLATE	1	LHTD
F-1	69	HZW4-90504-H01	WASHER, 5MM	1	LHTD
F-1	70	HZY9-90951-A01	BALL, STEEL	1	LHTD
F-1	71	HZW4-91051-H02	BEARING	2	LHTD
F-1	72	HZW4-91052-H01	BEARING	1	LHTD
F-1	73	HHP5-91304-601	O-RING, 20.6X1.9	1	LHTD
F-1	74	HZJ1-91408-810	TUBE, CORD, 30MM	1	LHTD
F-1	75	HCO-93500-05014-4J	SCREW, PAN, 5X14	3	LHTD
F-1	76	HCO-94540-04029	E-RING, 4MM	2	LHTD
F-1	77	HCO-94540-07029	E-RING, 7MM	1	LHTD

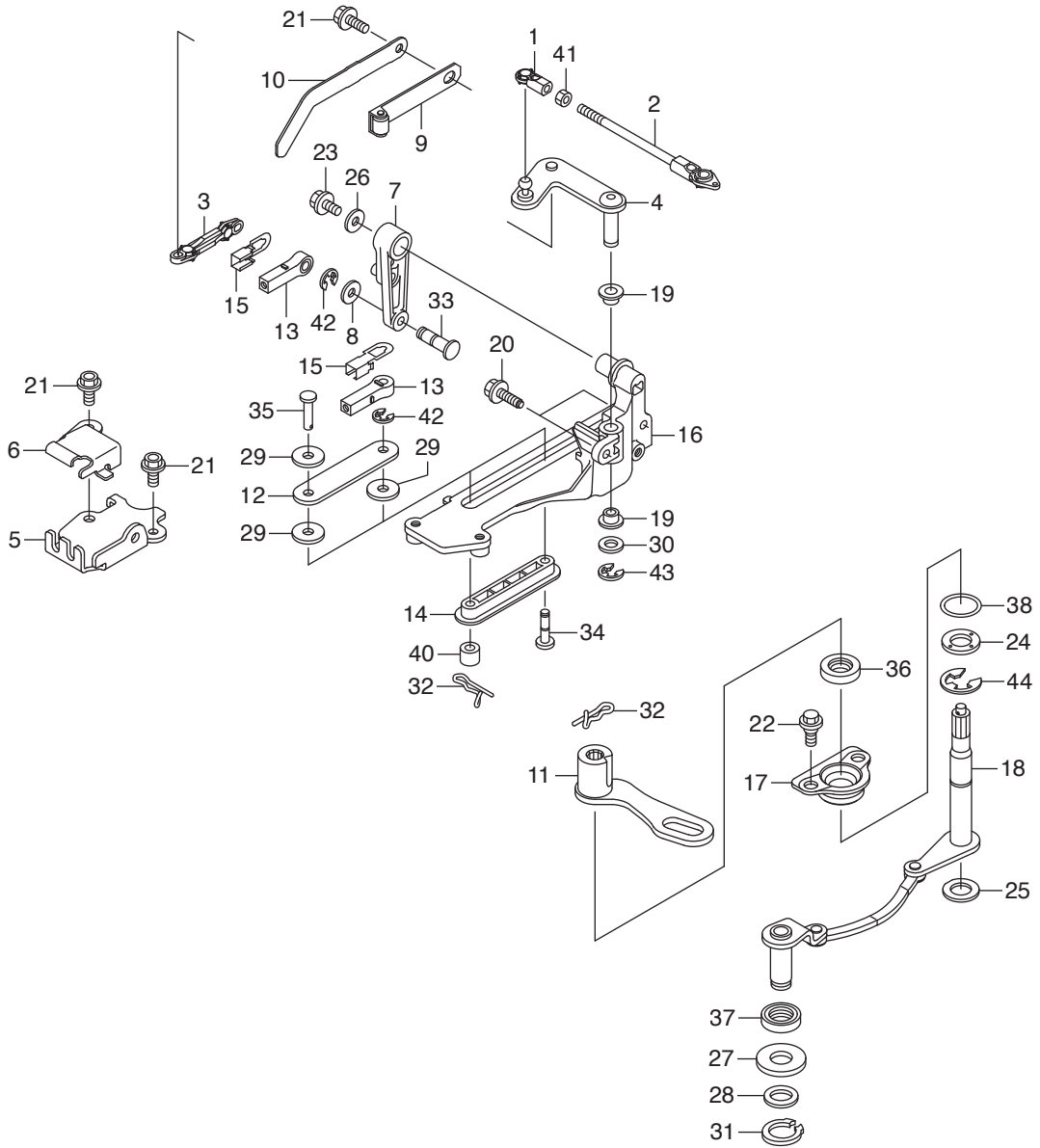


Ref.No.	Part No.	Description	Q' ty		Remarks
			BFT60A	BFW60A	
F-1-1	1	HZW4-53116-H11	BUSH, STEERING HANDLE	2	LHTD
F-1-1	2	HZY9-53232-A00	BLOCK, HEIGHT ADJUSTER	1	LHTD
F-1-1	3	HZZ5-53233-000ZD	BRACKET, STEERING	1	*T107* BAY BLUE LHTD
F-1-1	4	HZW4-90101-H00	BOLT, HEX., 12X80	1	LHTD
F-1-1	5	HZY3-90103-000	BOLT, HEX., 10X32	2	LHTD
F-1-1	6	HHW1-90118-671	BOLT, FLANGE, 8X28	1	LHTD
F-1-1	7	HZW4-90303-H00	NUT, HEX., 12MM	1	LHTD
F-1-1	8	HZV1-90506-000	WASHER, WAVE, 14MM	1	LHTD
F-1-1	9	HZV4-90514-000	WASHER, 10MM	2	LHTD
F-1-1	10	HZV5-90552-000	WASHER, PLAIN, 12MM	1	LHTD
F-1-1	11	HZV5-90559-000	WASHER, PLAIN, 12MM	1	LHTD
F-1-1	12	HZW4-91552-H00	COLLAR, DISTANCE, 12.2X23X16	1	LHTD
F-1-1	13	HCO-94002-12490-0S	NUT, HEX., 12MM	1	LHTD



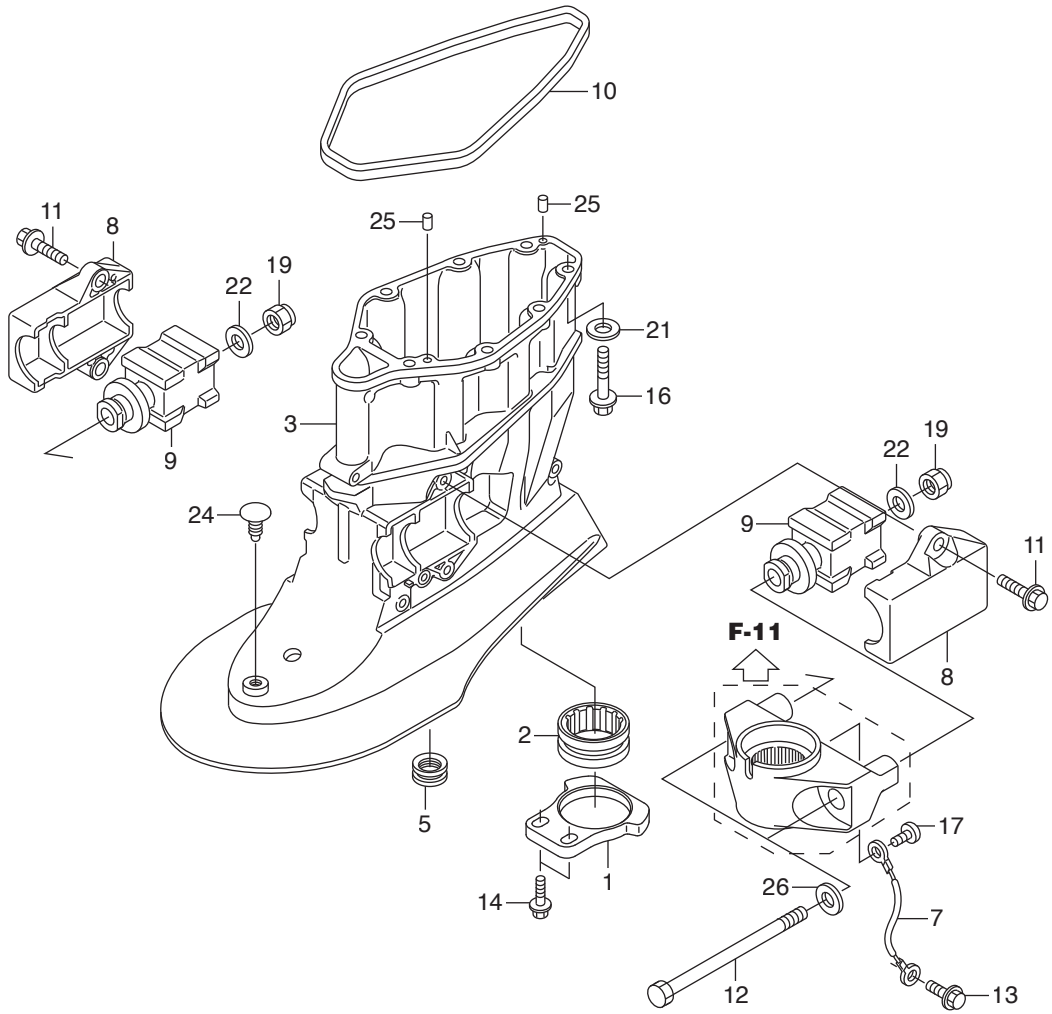
FR.

Ref.No.	Part No.	Description	Q' ty		Remarks	
			BFT60A	BFW60A		
F-2	1	HZV5-17838-000	LINKAGE, PIVOT	1	1	
F-2	2	HZZ3-17840-000	ROD COMP., THROTTLE	1	1	
F-2	3	HZY6-17845-000	LINK, THROTTLE	1	1	
F-2	4	HZZ3-17860-000	PLATE COMP., THROTTLE	1	1	
F-2	5	HZY9-17877-000	PLATE, REMOTE CONTROL CABLE	1	1	
F-2	6	HZY9-17878-000	COVER, REMOTE CONTROL CABLE	1	1	
F-2	7	HZY6-17931-000	ARM, THROTTLE	1	1	
F-2	8	H921-17936-000	WASHER, PIVOT	1	1	
F-2	9	HZW1-24210-010	SPRING COMP., CLICK	1	1	
F-2	10	HZY9-24221-000	SPRING, CLICK ASSIST	1	1	
F-2	11	HZY9-24612-000	ARM, SHIFT	1	1	
F-2	12	HZY9-24614-000	PLATE, SHIFT PIVOT	1	1	
F-2	13	HZY3-24618-000	PIVOT, SHIFT	2	2	
F-2	14	HZY9-24618-000	PIVOT, SHIFT SLIDE	1	1	
F-2	15	HZY3-24619-000	PLATE, LOCK	2	2	
F-2	16	HZY9-24628-000	BRACKET, SHIFT LINK	1	1	
F-2	17	HZW1-24629-000	HOLDER, SEAL	1	1	
F-2	18	HZZ3-24630-000	SHAFT COMP., SHIFT	1	1	
F-2	19	HZY3-63205-000	BUSH A, COVER LOCK	2	2	
F-2	20	HZV0-90017-C10	BOLT, FLANGE, 6X18(CT200)	2	2	
F-2	21	HZY3-90017-000	BOLT, FLANGE, 6X16	3	3	
F-2	22	HZW5-90023-000	BOLT, FLANGE, 6X11	2	2	
F-2	23	HZY3-90056-000	BOLT, FLANGE, 6X12	1	1	
F-2	24	HGET-90429-000	WASHER, SIDE, 14MM	1	1	
F-2	25	HZW5-90501-000	WASHER, SHIFT SHAFT	1	1	
F-2	26	HZY3-90508-000	WASHER, PLAIN, 6MM	1	1	
F-2	27	HZY9-90508-000	WASHER, 14MM	1	1	
F-2	28	HZY9-90509-000	WASHER, 13MM	1	1	
F-2	29	HZW9-90517-000	WASHER, NYLON, 8MM	3	3	



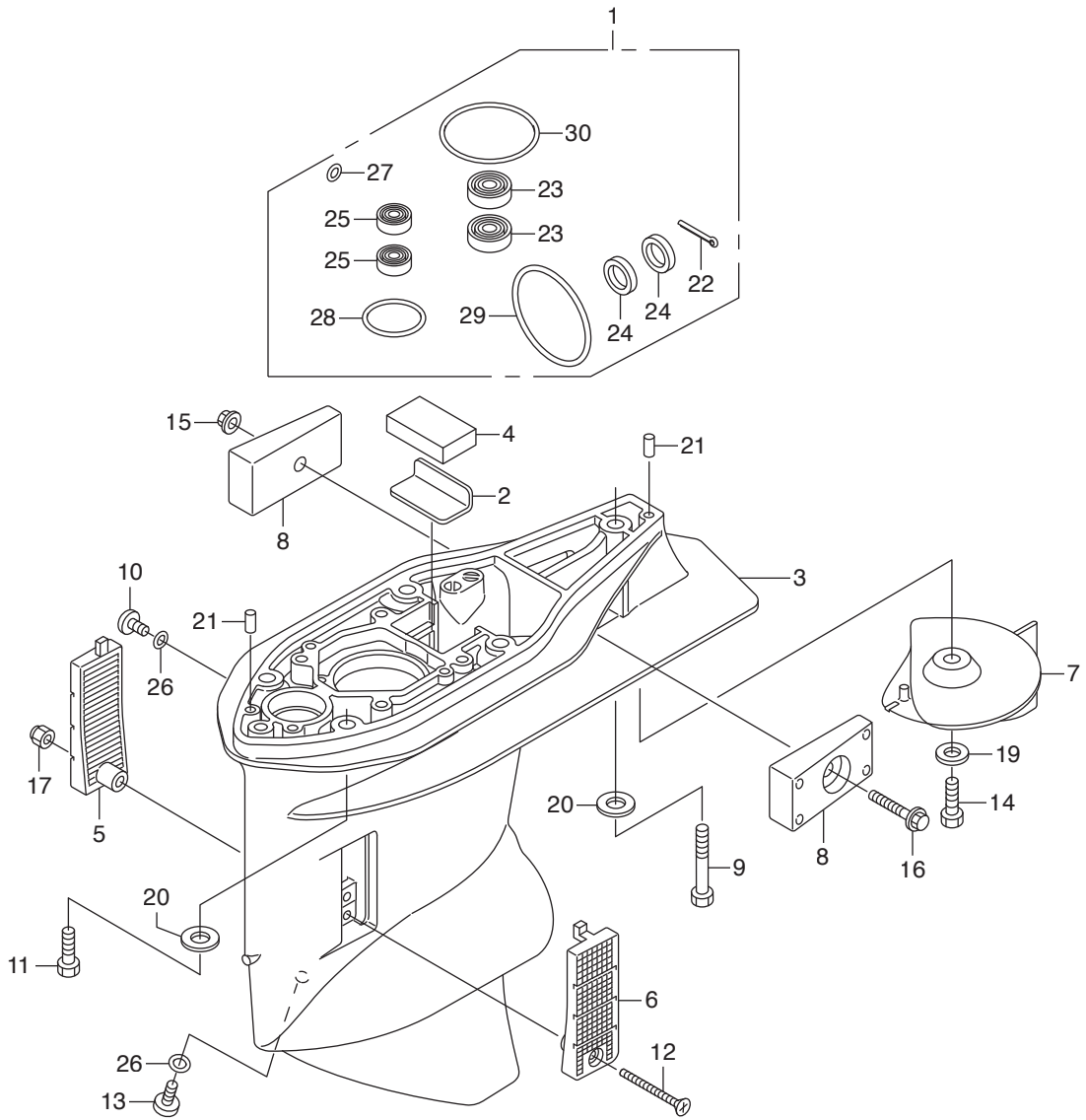
FR.

Ref.No.	Part No.	Description	Q' ty		Remarks	
			BFT60A	BFW60A		
F-2	30	H921-90518-000	WASHER, PLAIN, 8MM	1	1	
F-2	31	HZY9-90651-000	CIRCLIP, EXTERNAL, 12	1	1	
F-2	32	HSD2-90705-931	PIN, SNAP, 6MM	2	2	
F-2	33	HZY3-90751-000	PIN, LINK	1	1	
F-2	34	HZZ3-90752-000	PIN, SHIFT LINK	1	1	
F-2	35	HZZ3-90753-000	PIN, LINK	1	1	
F-2	36	HZW5-91251-003	OIL SEAL, 14X26X6	1	1	
F-2	37	HZY3-91255-003	SEAL, WATER(14X26X8)	1	1	
F-2	38	HPF0-91302-003	O-RING, 26.9X2.4(NOK)	1	1	
F-2	40	HZZ3-91552-000	COLLAR, 6MM	1	1	
F-2	41	HCO-94001-05490-0S	NUT, HEX., 5MM	1	1	
F-2	42	HCO-94540-04029	E-RING, 4MM	2	2	
F-2	43	HCO-94540-06029	E-RING, 6MM	1	1	
F-2	44	HCO-94540-12029	E-RING, 12MM	1	1	



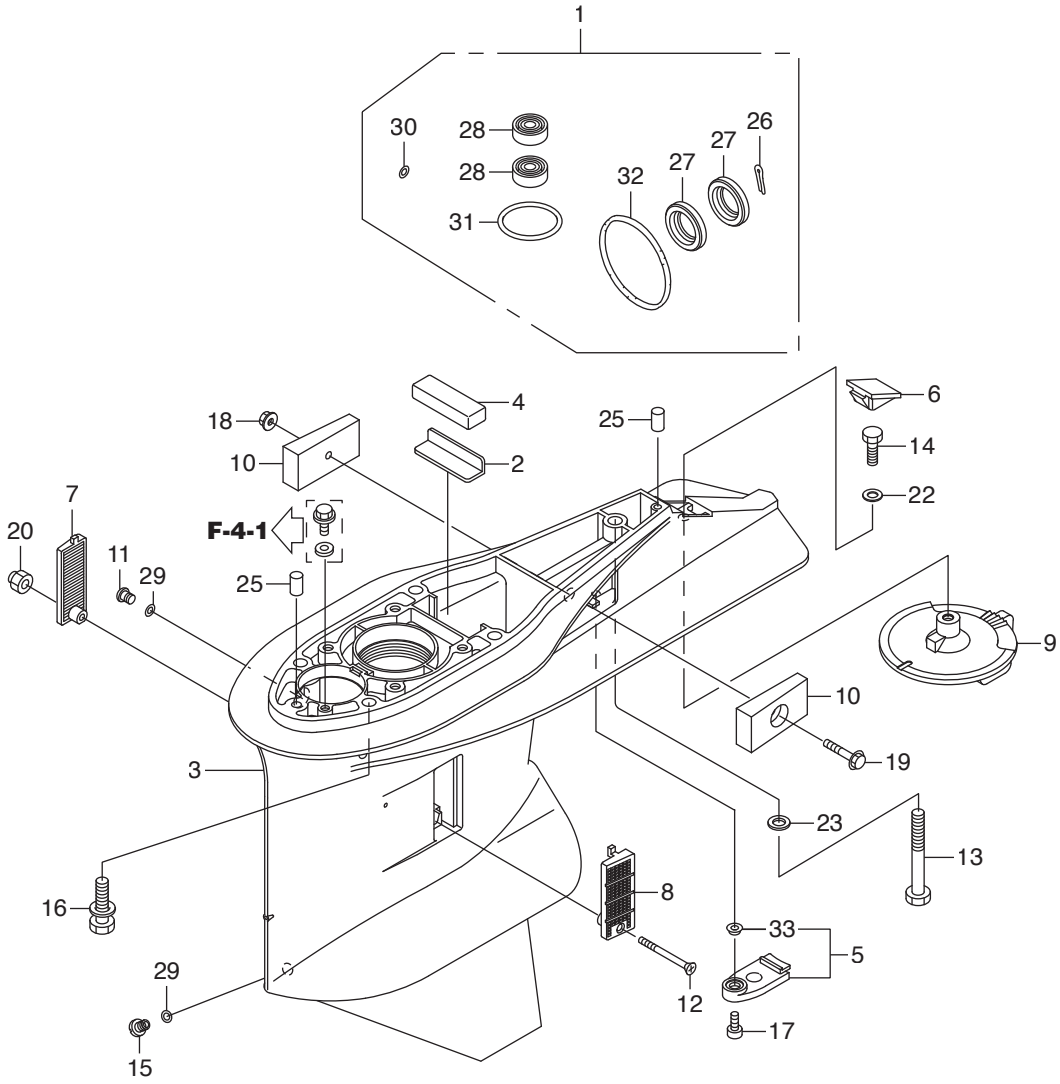
FR.

Ref.No.	Part No.	Description	Q' ty		Remarks	
			BFT60A	BFW60A		
F-3	1	HZZ3-18334-000	HOLDER, EX. PIPE GROMMET	1	1	
F-3	2	HZZ3-18337-000	GROMMET, EX. PIPE	1	1	
F-3	3	HZZ3-40201-000ZD	CASE, EXTENSION	1	1	*T107* BAY BLUE
F-3	5	HZV5-40204-000	GROMMET, EXTENSION CASE	1	1	
F-3	7	HZY3-40219-013	WIRE, LEAD(1.5X116MM)	1	1	
F-3	8	HZZ3-50111-000	HOUSING, LOWER MOUNTING	2	2	
F-3	9	HZZ3-50155-000	MOUNT COMP., LOWER RUBBER	2	2	
F-3	10	HZZ3-63719-000	SEAL B, COVER UNDER	1	1	
F-3	11	HHW1-90101-671	BOLT, FLANGE, 8X25	4	4	
F-3	12	HZY9-90102-000	BOLT, HEX., 12X186	2	2	
F-3	13	HZW9-90103-010	BOLT, FLANGE, 6X12	1	1	
F-3	14	HZW9-90105-000	BOLT, FLANGE, 6X20	2	2	
F-3	16	HHW1-90114-671	BOLT, FLANGE, 8X35	8	8	
F-3	17	HZV5-90119-000	SCREW, PAN, 6X8	1	1	
F-3	19	HZV5-90308-003	NUT, SELF-LOCK, 12MM	2	2	
F-3	21	HZV4-90507-000	WASHER, PLAIN, 8MM	8	8	
F-3	22	HZV5-90552-000	WASHER, PLAIN, 12MM	2	2	
F-3	24	HZZ3-90651-003	CLIP, 7MM	1	1	
F-3	25	HZV5-90756-000	DOWEL PIN, 6X10	2	2	
F-3	26	HZW1-90559-000	WASHER, PLAIN, 12MM	2	2	



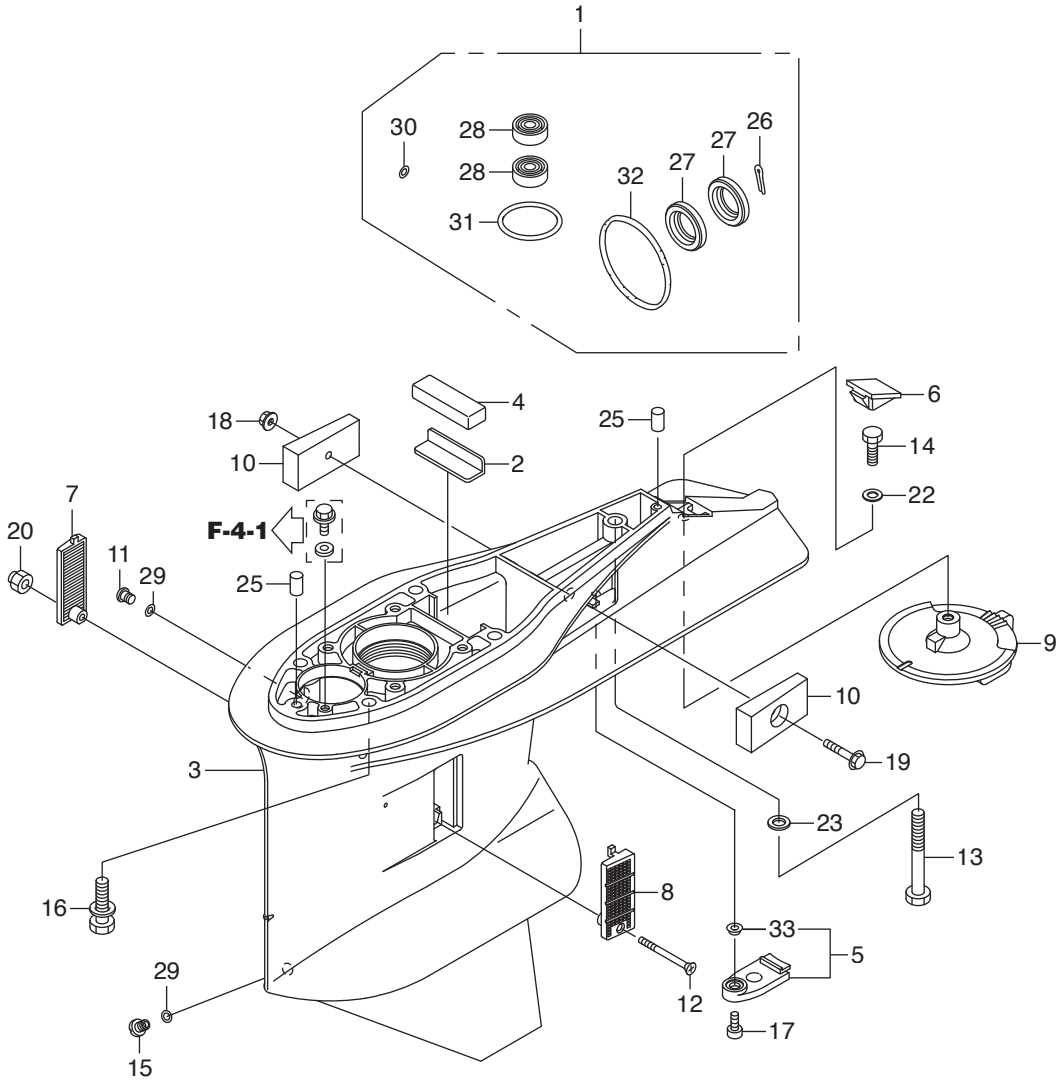
FR.

Ref.No.	Part No.	Description	Q' ty		Remarks
			BFT60A	BFW60A	
F-3-10	1	HZZ3-06125-000	CASE KIT, GEAR	1	
F-3-10	2	HZZ3-19286-000	PLATE, RUBBER SETTING	1	
F-3-10	3	HZZ3-41101-000ZD	CASE, GEAR	1	*T107* BAY BLUE
F-3-10	4	HZZ3-41102-000	GROMMET, GEAR CASE	1	
F-3-10	5	HZZ3-41104-010	SCREEN, R. WATER	1	
F-3-10	6	HZZ3-41105-010	SCREEN, L. WATER	1	
F-3-10	7	HZZ5-41107-000ZD	TAB, TRIM	1	*T107* BAY BLUE
F-3-10	8	HZW1-41109-B00	METAL COMP., ANODE	2	
F-3-10	9	HZY3-90015-000	BOLT, HEX., 10X60	1	
F-3-10	10	HZW9-90101-003	BOLT, OIL CHECK	1	
F-3-10	11	HZY3-90103-000	BOLT, HEX., 10X32	4	
F-3-10	12	HZZ3-90103-000	SCREW, FLAT, 5X37	1	
F-3-10	13	HZY3-90120-000	BOLT, DRAIN PLUG	1	
F-3-10	14	HZV5-90126-000	BOLT, HEX., 8X20	1	
F-3-10	15	HZY1-90205-000	NUT, SELF-LOCK, 6MM	1	
F-3-10	16	HHW1-90206-671	BOLT, FLANGE, 6X30	1	
F-3-10	17	HZV4-90302-000	NUT, SELF-LOCK, 5MM	1	
F-3-10	19	HZV4-90507-000	WASHER, PLAIN, 8MM	1	
F-3-10	20	HZV5-90563-000	WASHER, PLAIN, 10MM	5	
F-3-10	21	HZV5-90756-000	DOWEL PIN, 6X10	2	
F-3-10	22	HZV5-90758-000	PIN, SPLIT, 4.0	1	
F-3-10	23	HZZ3-91251-003	SEAL, WATER, 17X36X6	2	
F-3-10	24	HZW4-91252-003	SEAL, WATER, 22X35X7	2	
F-3-10	25	HZY3-91254-003	SEAL, WATER, 12X21X6	2	
F-3-10	26	HZW4-91301-003	O-RING, 6.9X1.45	2	
F-3-10	27	HZW4-91301-003	O-RING, 6.9X1.45	2	
F-3-10	28	HZZ3-91351-000	O-RING, 33.7X3.5	1	
F-3-10	29	HZZ3-91352-000	O-RING, 76.5X3	1	
F-3-10	30	HMB0-91359-000	O-RING, 58.5X3.5	1	

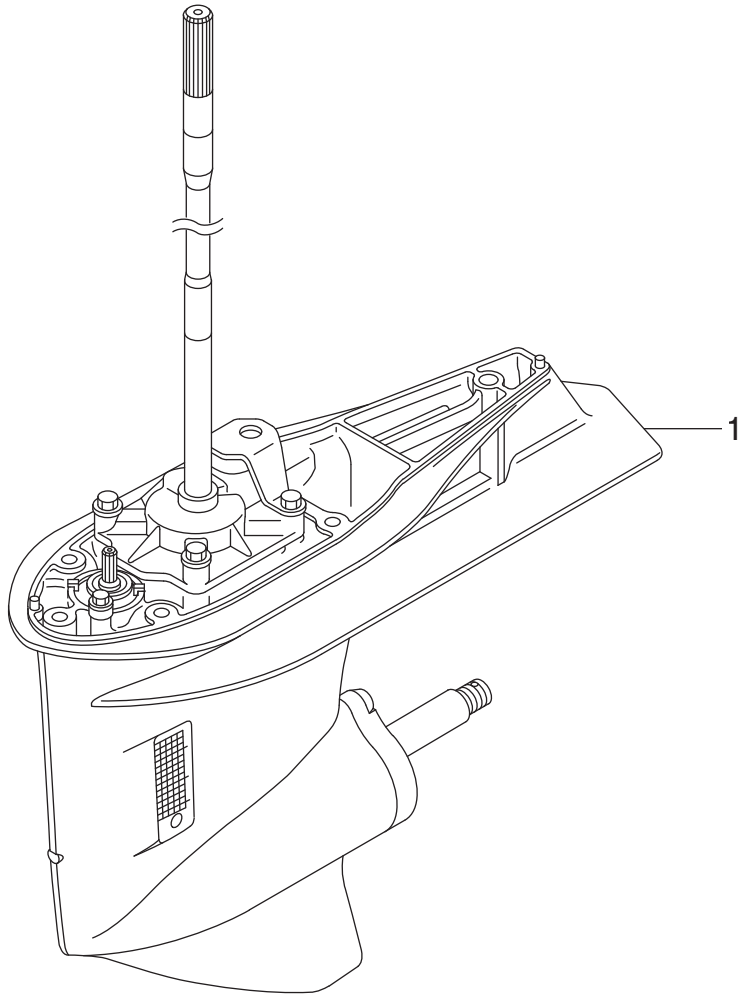


FR.

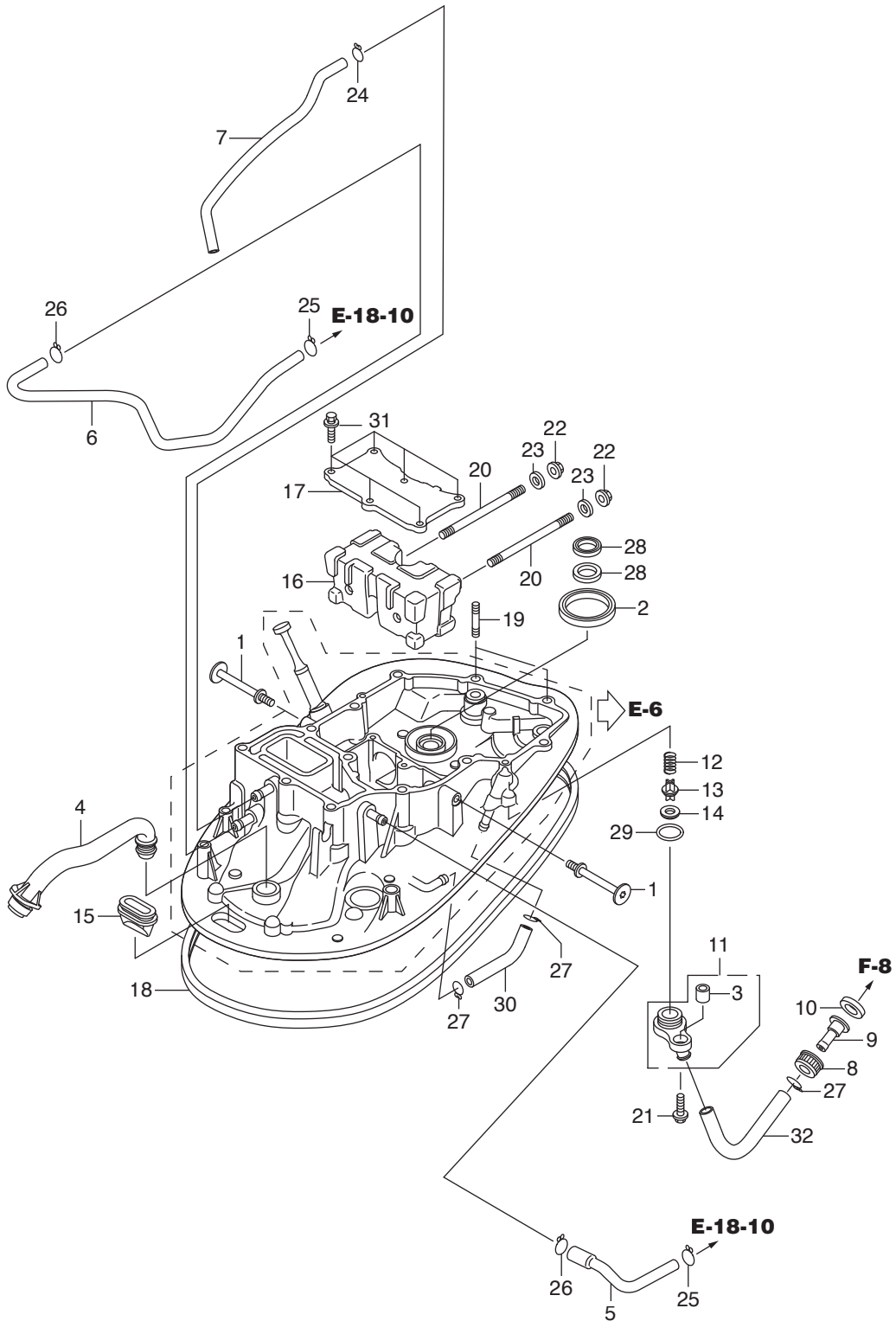
Ref.No.	Part No.	Description	Q' ty		Remarks
			BFT60A	BFW60A	
F-3-11	1	HZZ3-06125-E00		1	
F-3-11	2	HZW1-19286-B00		1	
F-3-11	3	HZZ0-41101-000ZD		1	*T107* BAY BLUE
F-3-11	4	HZW1-41102-B00		1	
F-3-11	5	HZZ0-41102-000		1	
F-3-11	6	HZZ0-41103-000		1	
F-3-11	7	HZZ0-41104-010		1	
F-3-11	8	HZZ0-41105-010		1	
F-3-11	9	HZZ0-41107-000ZD		1	*T107* BAY BLUE
F-3-11	10	HZW1-41109-B00		2	
F-3-11	11	HZW9-90101-003		1	
F-3-11	12	HZZ0-90101-000		1	
F-3-11	13	HZW1-90104-900		1	
F-3-11	14	HZV5-90115-000		1	
F-3-11	15	HZY3-90120-000		1	
F-3-11	16	HZY6-90123-000		4	
F-3-11	17	HZY3-90133-000		1	
F-3-11	18	HZY1-90205-000		1	
F-3-11	19	HHW1-90225-670		1	
F-3-11	20	HZV4-90302-000		1	
F-3-11	22	HZV4-90507-000		1	
F-3-11	23	HZV5-90563-000		1	
F-3-11	25	HZV5-90756-000		2	
F-3-11	26	HZW1-90758-B00		1	
F-3-11	27	HZZ3-91252-003		2	
F-3-11	28	HZY3-91254-003		2	
F-3-11	29	HZW4-91301-003		2	
F-3-11	30	HZW4-91301-003		2	
F-3-11	31	HMJ0-91308-003		1	



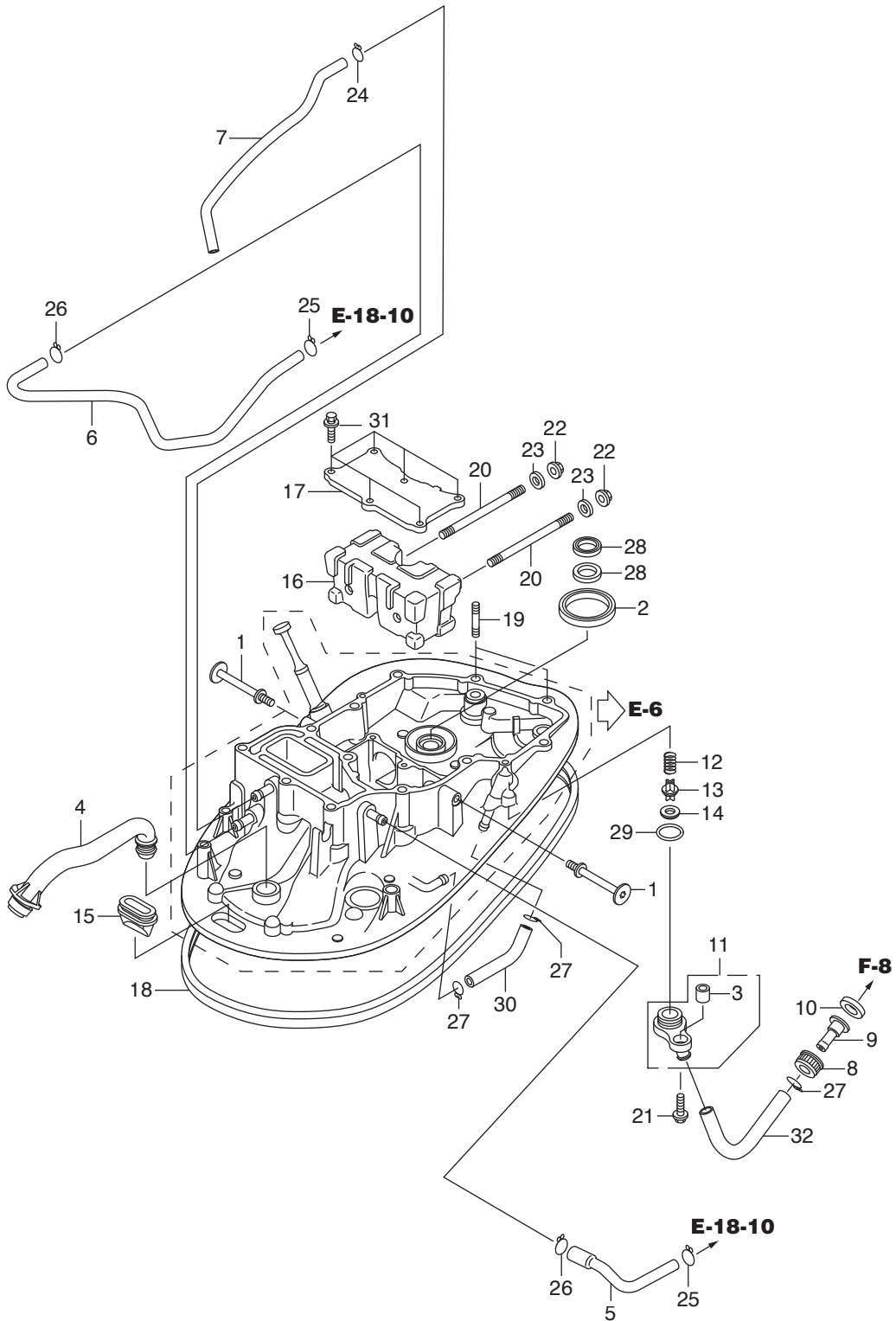
FR.

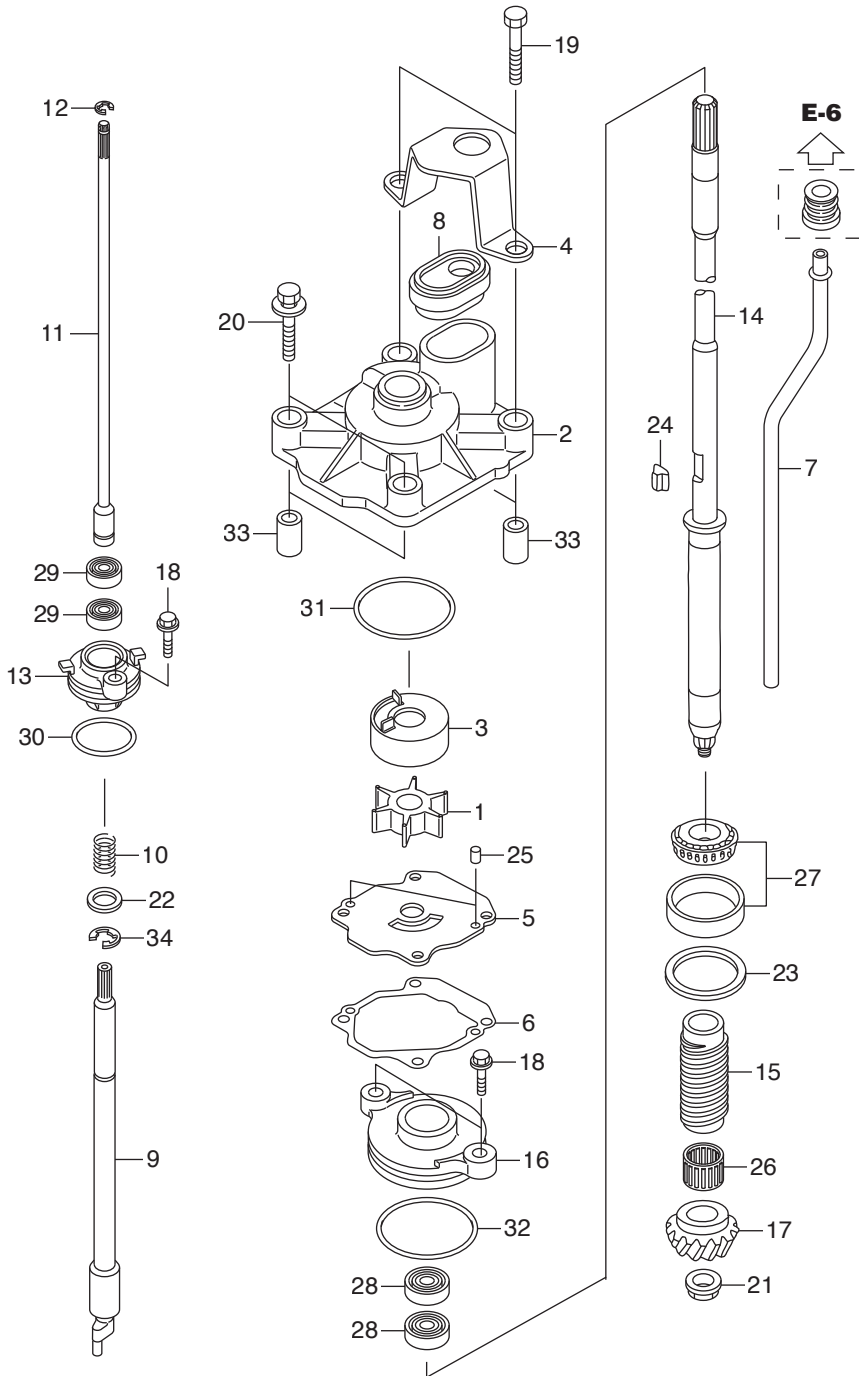


FR.

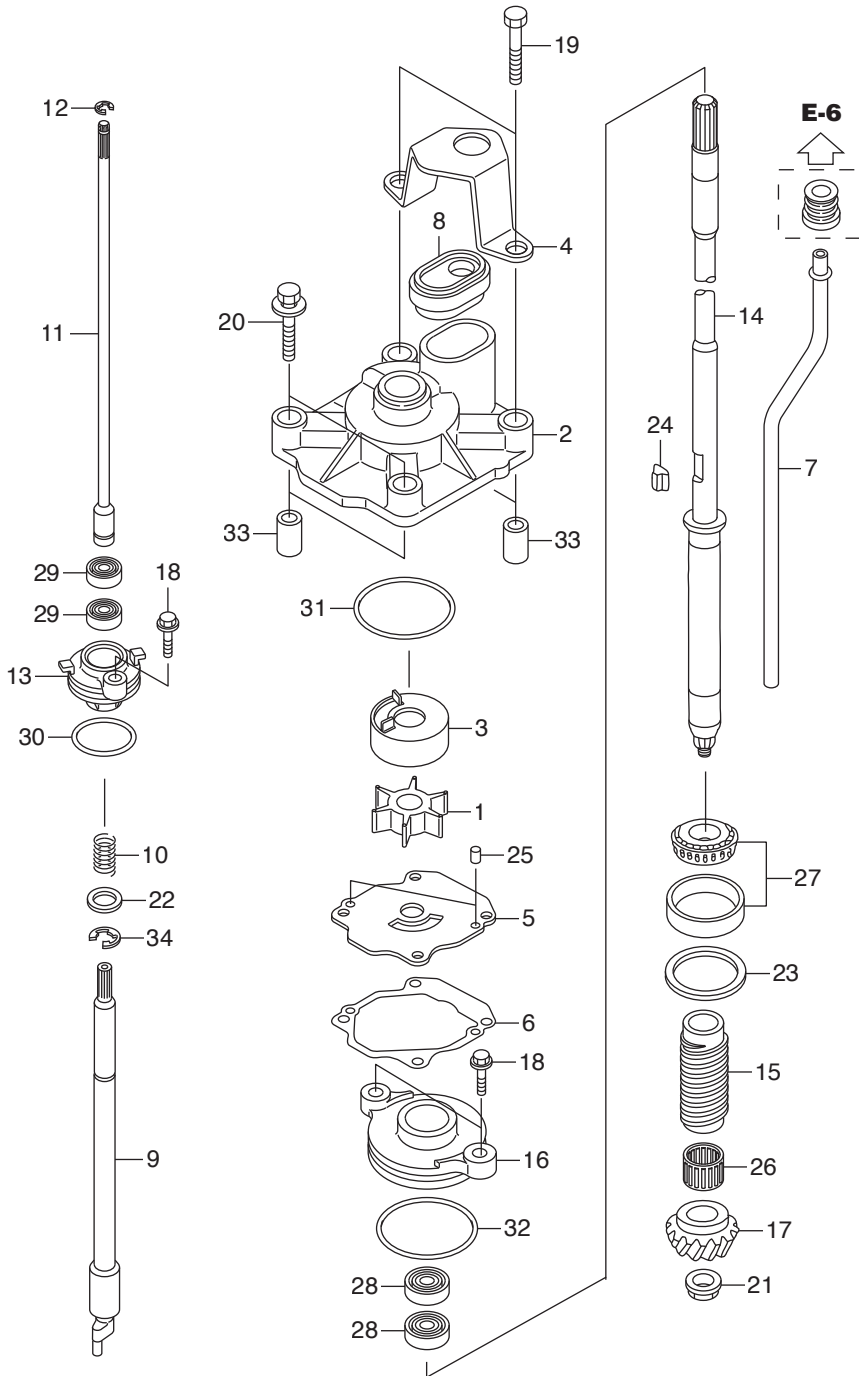


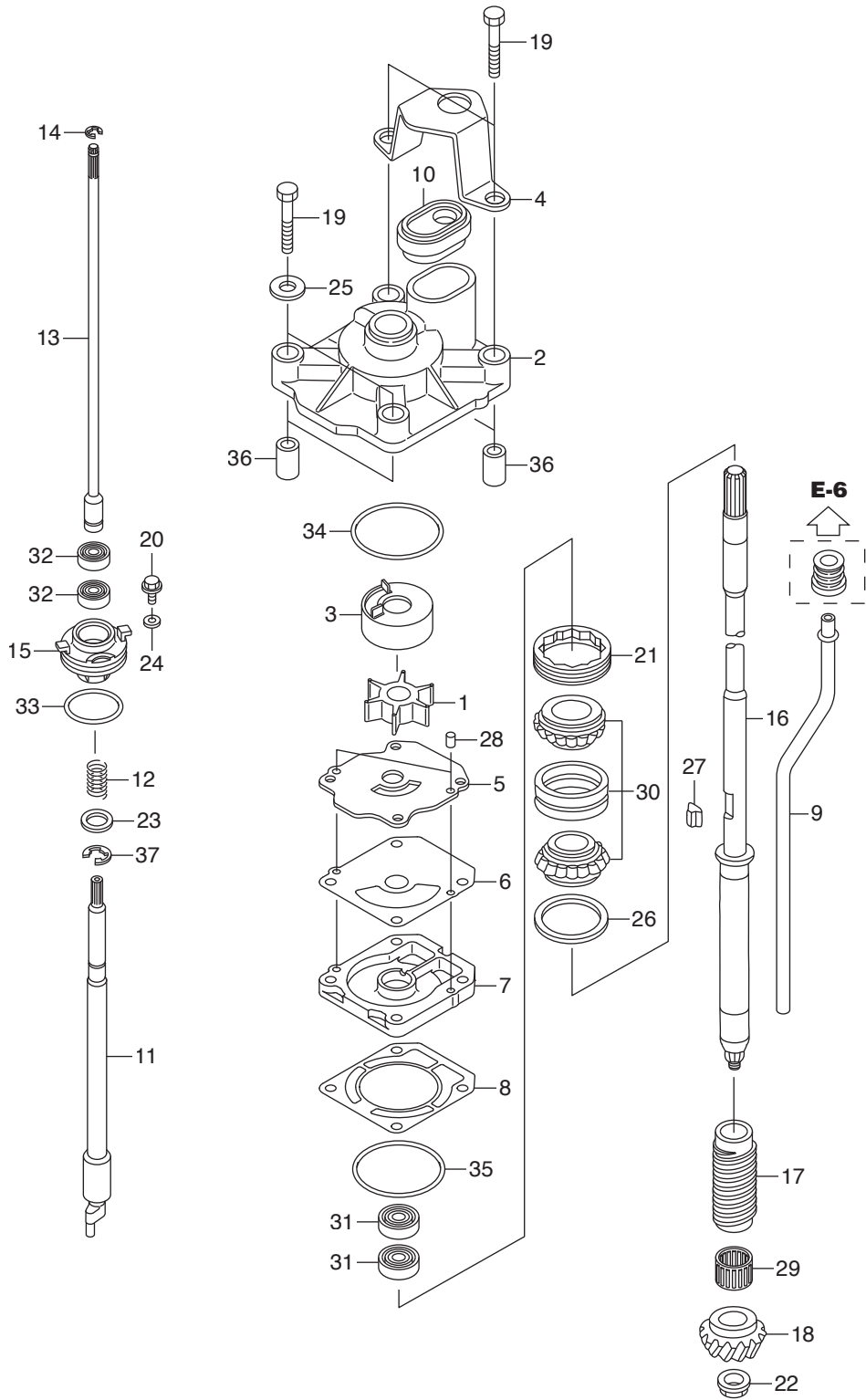
Ref.No.	Part No.	Description	Q' ty		Remarks	
			BFT60A	BFW60A		
F-3-30	1	HZZ3-12166-000	STOPPER, ENGINE SIDE	2	2	
F-3-30	2	HZY3-15113-000	RUBBER, OIL PUMP	1	1	
F-3-30	3	HZV5-17202-310	COLLAR, DISTANCE, 6.5X11X7.5	1	1	
F-3-30	4	HZZ3-18211-000	PORT, IDLE EXHAUST	1	1	
F-3-30	5	HZZ3-19255-000	TUBE A, WATER	1	1	
F-3-30	6	HZZ3-19256-000	TUBE B, WATER	1	1	
F-3-30	7	HZZ3-19257-000	TUBE C, WATER	1	1	
F-3-30	8	HZY3-19270-000	NUT, WATER MOUTH	1	1	
F-3-30	9	HZY3-19271-000	JOINT, WATER HOSE	1	1	
F-3-30	10	HZY3-19272-000	SEAT, WATER MOUTH	1	1	
F-3-30	11	HZZ3-19277-000	COVER, FLUSH VALVE	1	1	
F-3-30	12	HZW9-19279-000	SPRING, FLUSH VALVE	1	1	
F-3-30	13	HZW9-19291-000	VALVE, FLASH	1	1	
F-3-30	14	HZW9-19297-000	PACKING, FLASH VALVE	1	1	
F-3-30	15	HZY3-23173-010	RUBBER, MOUNT CASE SEAL	1	1	
F-3-30	16	HZZ3-50151-000	MOUNT COMP., UPPER RUBBER	1	1	
F-3-30	17	HZZ3-50166-000	COVER, UPPER MOUNT	1	1	
F-3-30	18	HZZ3-63718-000	SEAL A, COVER UNDER	1	1	
F-3-30	19	HZY6-90043-000	BOLT, STUD 2, 8X25	2	2	
F-3-30	20	HZZ3-90101-000	BOLT, STUD, 10X125	2	2	
F-3-30	21	HZW9-90105-000	BOLT, FLANGE, 6X20	1	1	
F-3-30	22	HZW4-90306-003	NUT, FLANGE, 10MM	2	2	
F-3-30	23	HZW4-90501-000	WASHER, PLAIN, 10MM	2	2	
F-3-30	24	HZV4-90603-000	CLIP, TUBE(B10)	1	1	
F-3-30	25	HZV0-90604-000	CLIP, TUBE(B12)	2	2	
F-3-30	26	HZV4-90605-000	CLIP, TUBE(B12.5)	2	2	
F-3-30	27	HZY6-90651-000	CLIP B1, TUBE	3	3	
F-3-30	28	HZW2-91251-F01	SEAL, WATER, 17X26X7	2	2	
F-3-30	29	H800-91303-000	O-RING, 16MM	1	1	



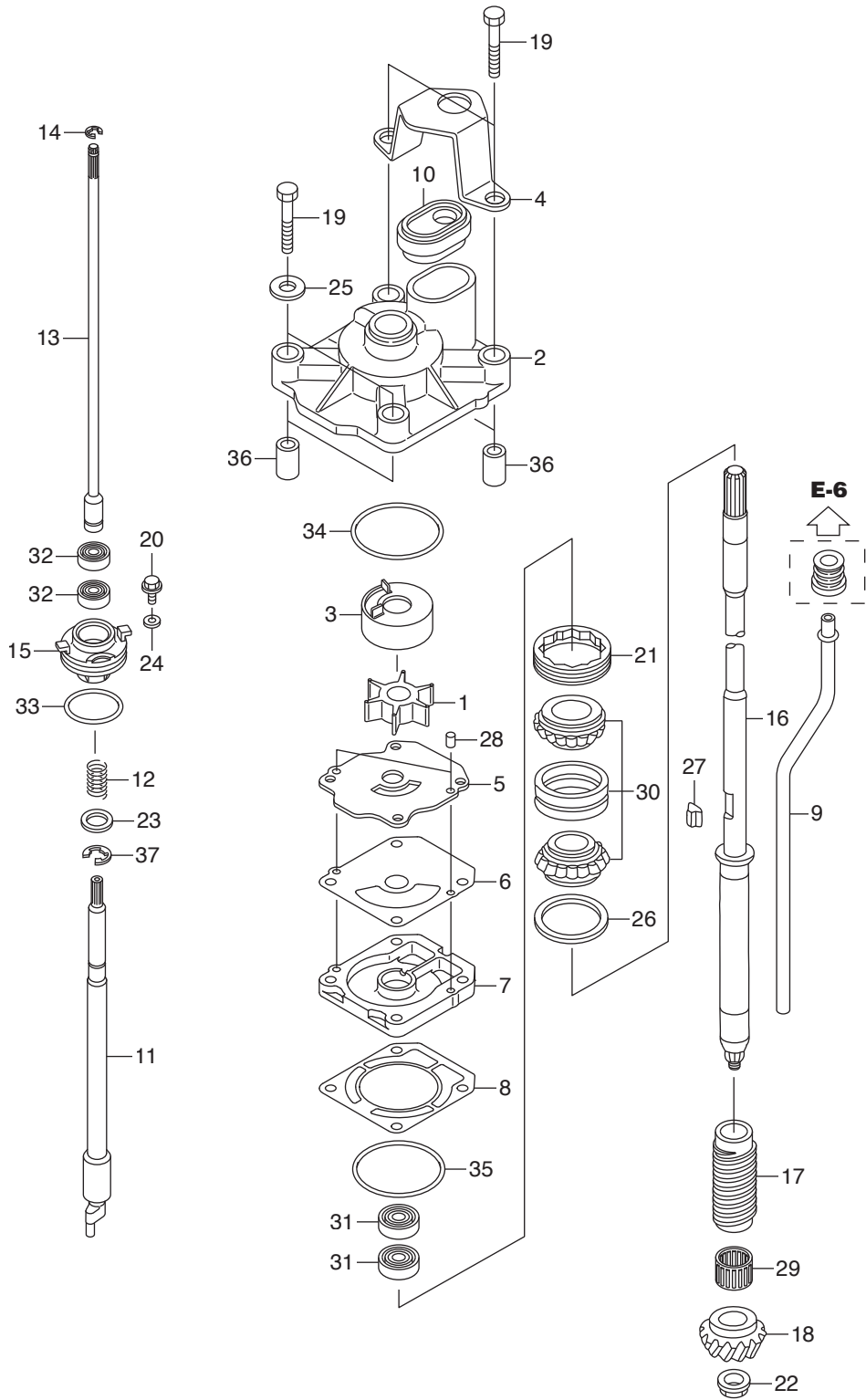


Ref.No.	Part No.	Description	Q' ty		Remarks
			BFT60A	BFW60A	
F-4	1	HZV5-19210-003	IMPELLER, PUMP	1	
F-4	2	HZZ3-19221-000	HOUSING, IMPELLER	1	
F-4	3	HZZ3-19223-000	LINER, PUMP	1	
F-4	4	HZZ3-19228-000	HOLDER, WATER TUBE SEAL	1	
F-4	5	HZZ3-19231-000	COVER, IMPELLER	1	
F-4	6	HZZ3-19234-000	GASKET, IMPELLER	1	
F-4	7	HZZ3-19251-000	TUBE, WATER(L)	1	
F-4	8	HZZ3-19253-000	RUBBER, WATER TUBE SEAL	1	
F-4	9	HZZ3-24310-000	ROD COMP., SHIFT	1	
F-4	10	HZY3-24318-000	SPRING, SHIFT ROD	1	
F-4	11	HZW1-24320-B00	ROD A COMP., SHIFT(L)	1	
F-4	12	HZW1-24327-000	RING, STOPPER	1	
F-4	13	HZZ3-24343-000	HOLDER, SHIFT ROD	1	
F-4	14	HZZ3-41112-000	SHAFT, VERTICAL(L)	1	
F-4	15	HZV5-41116-000	SLINGER, OIL	1	
F-4	16	HZZ3-41117-000	HOUSING, WATER SEAL	1	
F-4	17	HZZ3-41131-000	GEAR, PINION(14T)	1	
F-4	18	HZW9-90105-000	BOLT, FLANGE, 6X20	3	
F-4	19	H881-90116-000	BOLT, HEX., 8X40	2	
F-4	20	HZY6-90116-000	BOLT-WASHER, 8X40	2	
F-4	21	HZV5-90303-000	NUT, SPECIAL(12MM)	1	
F-4	22	H723-90472-000	WASHER, PLAIN, 12MM	1	
F-4	23	HZV5-90518-000	SHIM, GEAR(A)(40X46X0.10)	1	
F-4		HZV5-90519-000	SHIM, GEAR(B)(40X46X0.15)	1	
F-4		HZV5-90520-000	SHIM, GEAR(C)(40X46X0.30)	1	
F-4		HZV5-90521-000	SHIM, GEAR(D)(40X46X0.50)	1	
F-4	24	HZV5-90752-003	KEY, WOODRUFF	1	
F-4	25	HZV5-90756-000	DOWEL PIN, 6X10	2	
F-4	26	HZZ3-91052-003	BEARING, NEEDLE, 7/8X11/8X1	1	

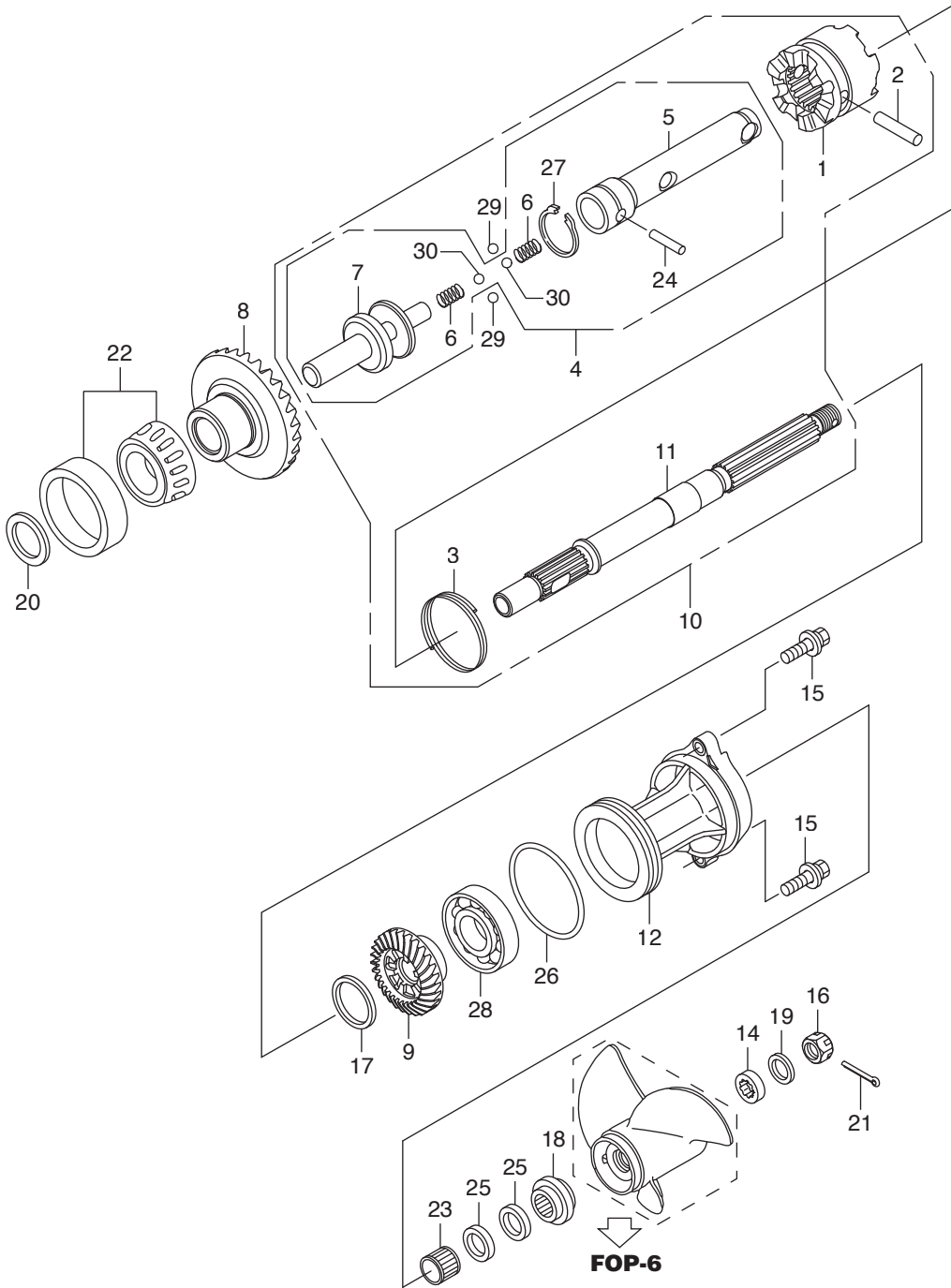




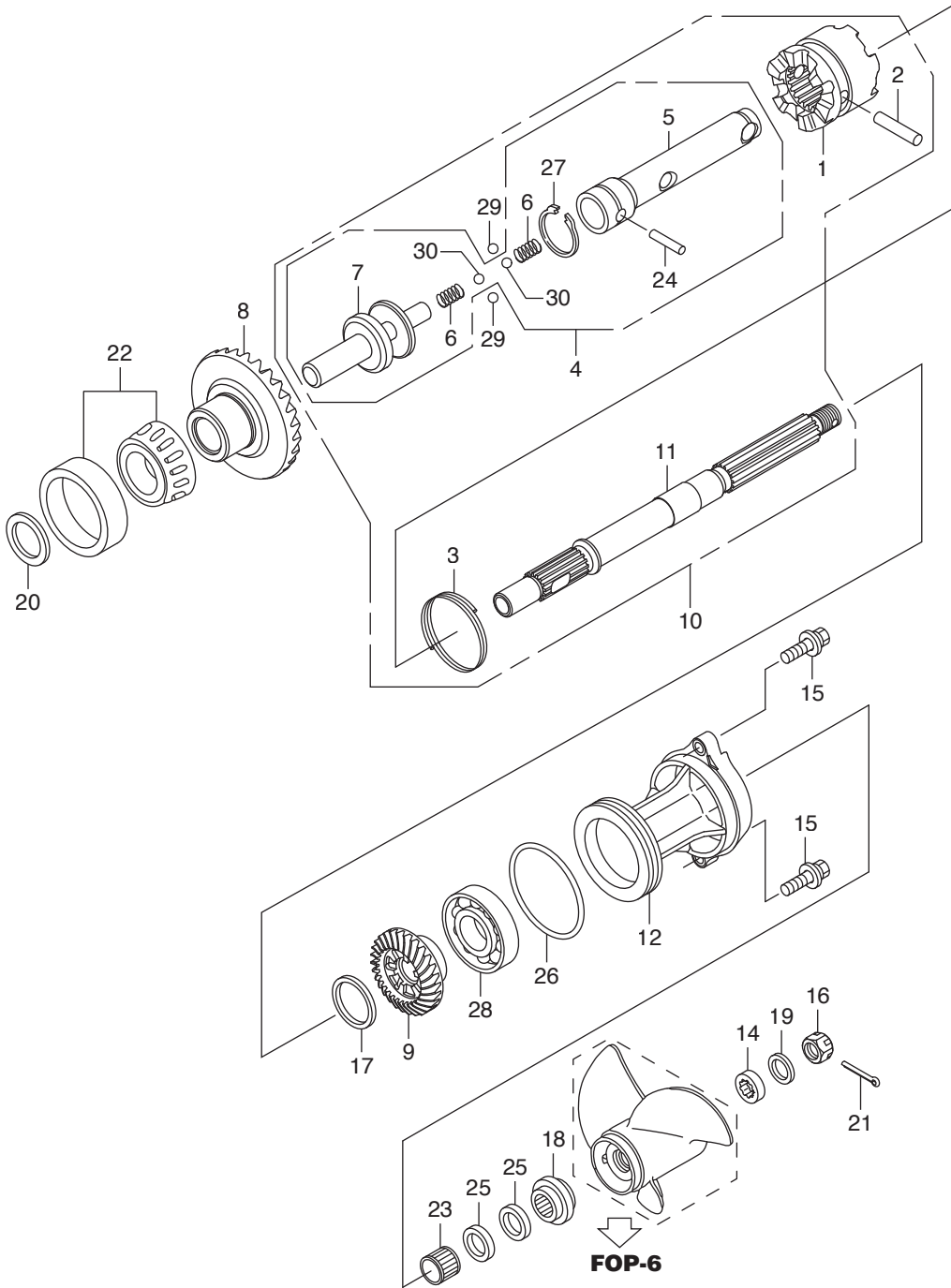
Ref.No.	Part No.	Description	Q' ty		Remarks
			BFT60A	BFW60A	
F-4-1	1	HZV5-19210-003		1	
F-4-1	2	HZZ3-19221-000		1	
F-4-1	3	HZZ3-19223-000		1	
F-4-1	4	HZZ3-19228-000		1	
F-4-1	5	HZZ3-19231-000		1	
F-4-1	6	HZZ3-19234-E00		1	(POWER THRUST)
F-4-1	7	HZZ0-19241-000		1	
F-4-1	8	HZW1-19242-B00		1	
F-4-1	9	HZZ3-19251-E00		1	
F-4-1	10	HZZ3-19253-000		1	
F-4-1	11	HZZ0-24310-000		1	
F-4-1	12	HZY3-24318-000		1	
F-4-1	13	HZW1-24320-B00		1	
F-4-1	14	HZW1-24327-000		1	
F-4-1	15	HZW1-24343-B02		1	
F-4-1	16	HZZ3-41112-E00		1	(POWER THRUST)
F-4-1	17	HZW1-41116-B00		1	
F-4-1	18	HZW1-41131-B01		1	
F-4-1	19	HZV5-90010-000		4	
F-4-1	20	HZW9-90102-000		1	
F-4-1	21	HZW1-90242-000		1	
F-4-1	22	HZW1-90303-B03		1	
F-4-1	23	H723-90472-000		1	
F-4-1	24	HZV4-90511-000		1	
F-4-1	25	H921-90514-000		2	
F-4-1	26	HZW1-90518-B00		1	
F-4-1		HZW1-90519-B00		1	
F-4-1		HZW1-90520-B00		1	
F-4-1		HZW1-90521-B00		1	

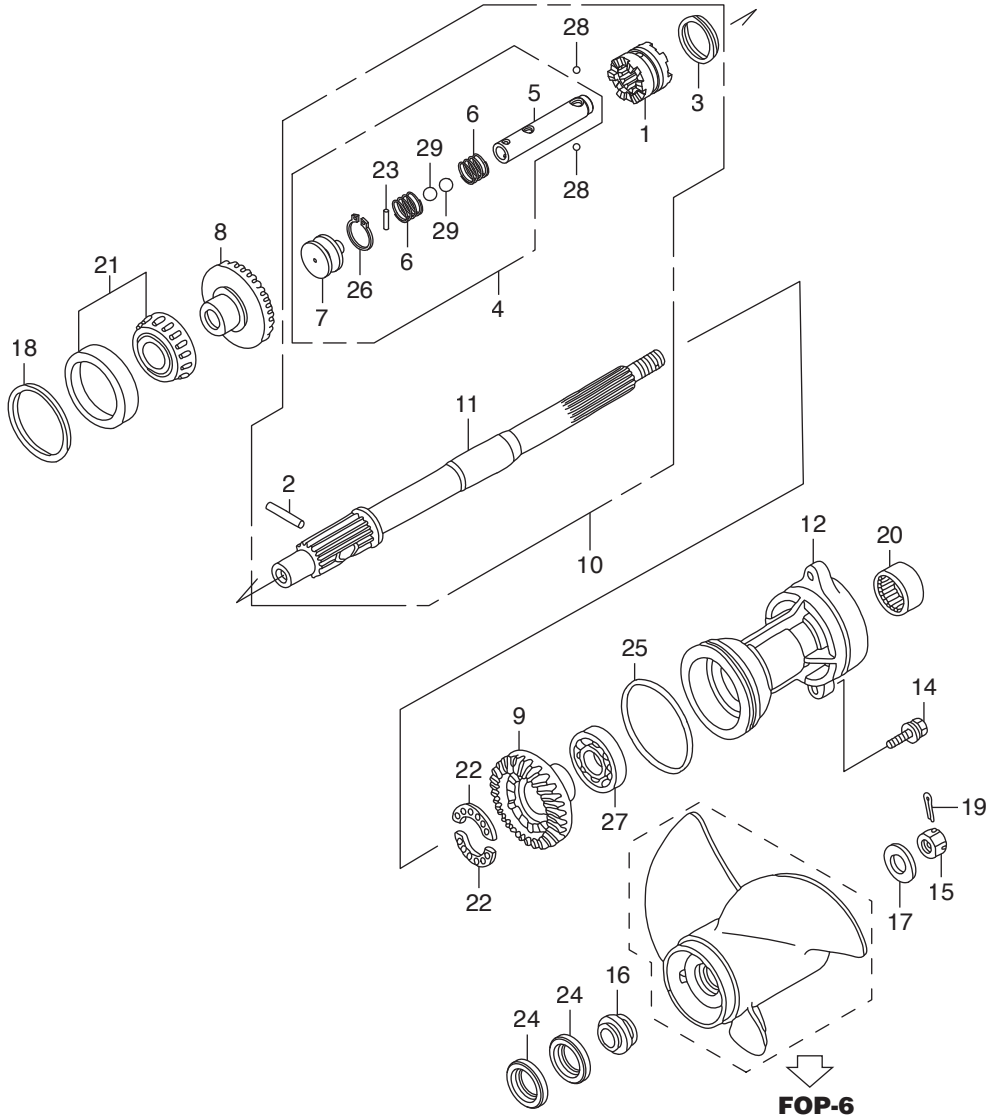


Ref.No.	Part No.	Description	Q'ty		Remarks
			BFT60A	BFW60A	
F-4-1	27	HZV5-90752-003		1	
F-4-1	28	HZV5-90756-000		2	
F-4-1	29	HZW1-91052-B02		1	(1-1/8X1-1/2X1-1/4)
F-4-1	30	HZW1-91054-B31		1	30X62X40
F-4-1	31	HZZ3-91253-003		2	
F-4-1	32	HZY3-91254-003		2	
F-4-1	33	HMJ0-91308-003		1	
F-4-1	34	HZZ3-91356-000		1	
F-4-1	35	HMB0-91359-000		1	
F-4-1	36	HZY6-91552-000		4	
F-4-1	37	HCO-94540-10019		1	



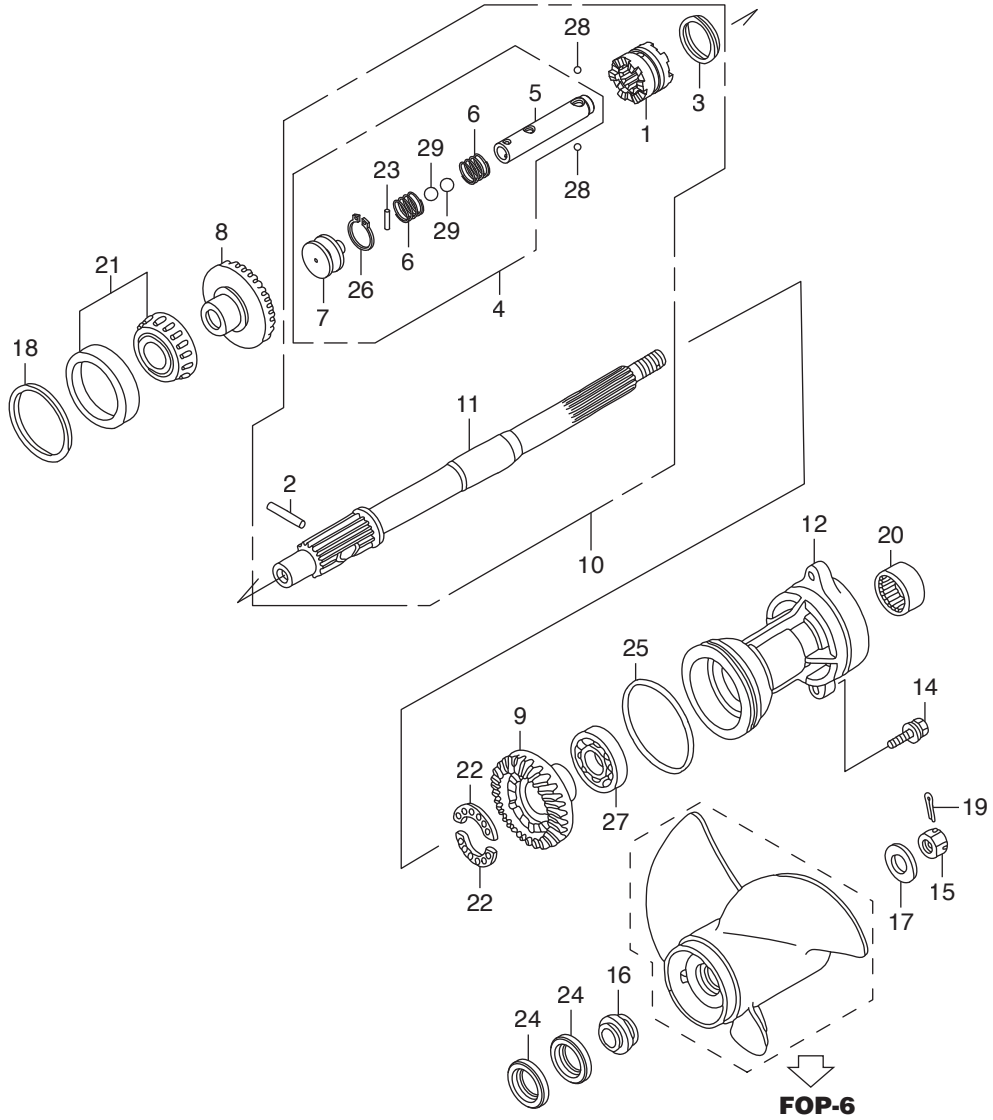
Ref.No.	Part No.	Description	Q' ty		Remarks
			BFT60A	BFW60A	
F-5	1	HZZ3-24101-000	SHIFTER, CLUTCH	1	
F-5	2	HZV5-24102-000	PIN, SHIFTER, 6.3X33	1	
F-5	3	HZV5-24103-000	RING, CROSS PIN	1	
F-5	4	HZZ3-24113-000	SLIDER COMP., SHIFT	1	
F-5	5	HZZ3-24122-000	SLIDER, SHIFT	1	
F-5	6	HZZ3-24123-000	SPRING, SHIFT	2	
F-5	7	HZZ3-24124-000	PLATE, SHIFT	1	
F-5	8	HZZ3-41140-000	GEAR COMP., FR. BEVEL(29T)	1	
F-5	9	HZZ3-41151-000	GEAR, RR. BEVEL(29T)	1	
F-5	10	HZZ3-41160-000	SHAFT ASSY., PROPELLER	1	
F-5	11	HZZ3-41161-000	SHAFT, PROPELLER	1	
F-5	12	HZZ3-41201-000ZD	HOLDER, PROPELLER SHAFT	1	*T107* BAY BLUE
F-5	14	HZV5-58151-000	SPACER, 10MM	1	
F-5	15	HZY6-90105-000	BOLT-WASHER, 8X30	2	
F-5	16	HZV5-90301-000	NUT, CASTLE, 16MM	1	
F-5	17	HZV5-90503-000	WASHER, 22MM	1	
F-5	18	HZV5-90506-020	WASHER, PROPELLER THRUST	1	
F-5	19	HZV5-90508-000	WASHER, 17MM	1	
F-5	20	HZV5-90528-000	SHIM, FR. BEVEL(A)(51X57X0.10)	1	
F-5		HZV5-90529-000	SHIM, FR. BEVEL(B)(51X57X0.15)	1	
F-5		HZV5-90530-000	SHIM, FR. BEVEL(C)(51X57X0.30)	1	
F-5		HZV5-90531-000	SHIM, FR. BEVEL(D)(51X57X0.50)	1	
F-5	21	HZV5-90758-000	PIN, SPLIT, 4.0	1	
F-5	22	HZZ5-91051-003	BEARING, 32X58X17	1	
F-5	23	HZV5-91053-003	BEARING, NEEDLE, 22X28X20	1	
F-5	24	HZW1-91101-003	ROLLER, 3X12.8	1	
F-5	25	HZW4-91252-003	SEAL, WATER, 22X35X7	2	
F-5	26	HZZ3-91352-000	O-RING, 76.5X3	1	
F-5	27	HZZ3-91451-000	CIRCLIP, 14MM	1	



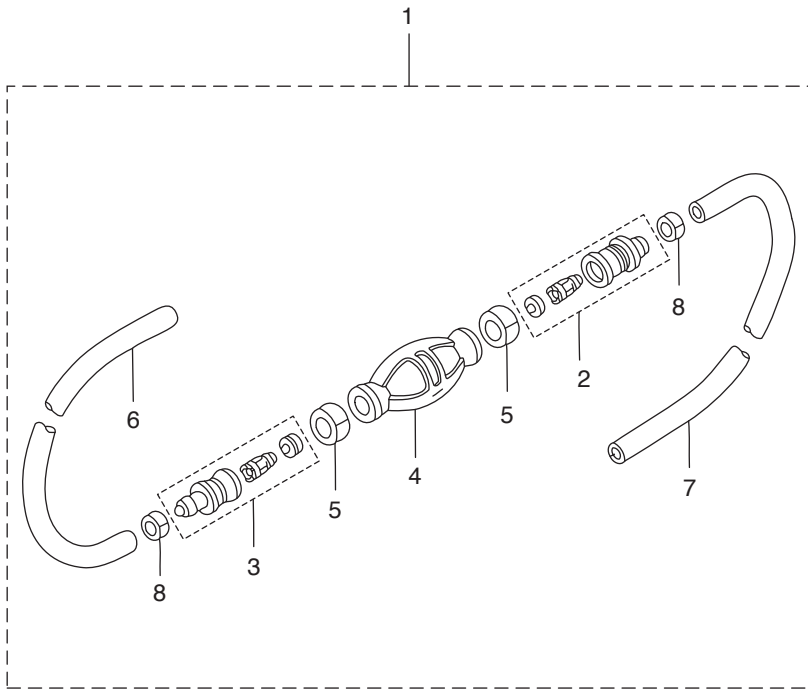


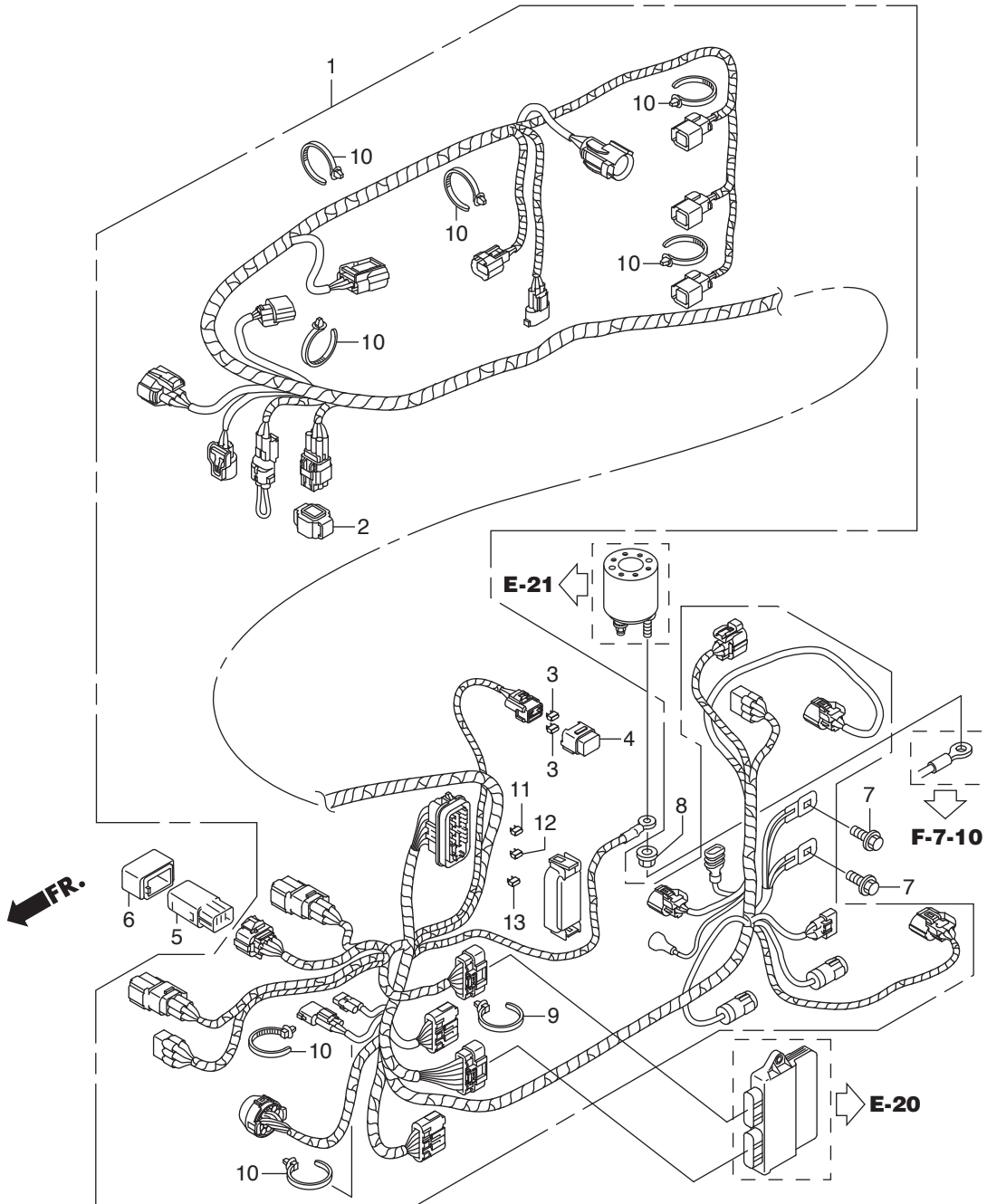
FR.

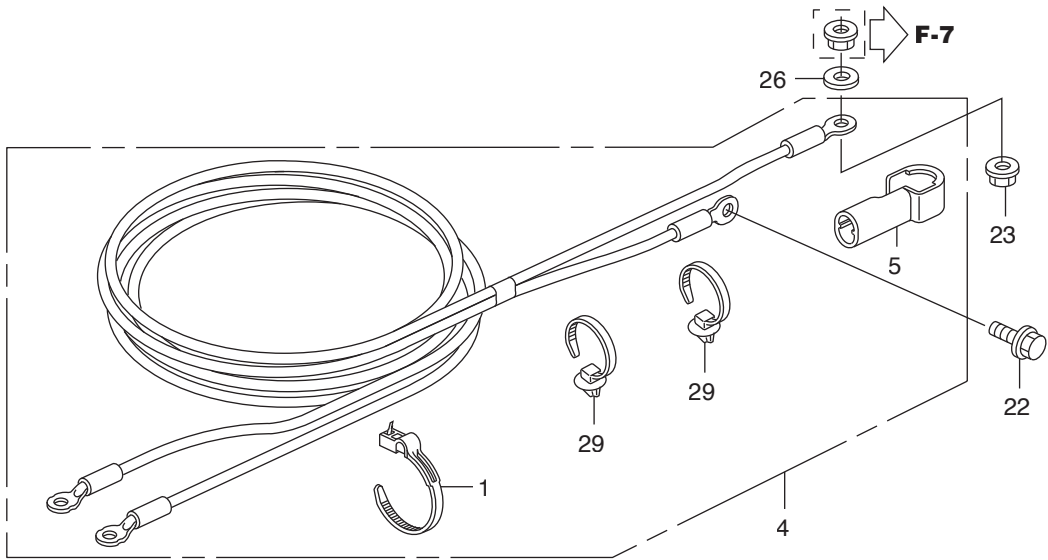
Ref.No.	Part No.	Description	Q' ty		Remarks
			BFT60A	BFW60A	
F-5-1	1	HZZ3-24101-E00		1	
F-5-1	2	HZW1-24102-B00		1	
F-5-1	3	HZW1-24103-B00		1	
F-5-1	4	HZZ3-24113-E00		1	(POWER THRUST)
F-5-1	5	HZZ3-24122-E00		1	
F-5-1	6	HZZ3-24123-E00		2	
F-5-1	7	HZZ0-24124-000		1	
F-5-1	8	HZZ3-41140-E00		1	(POWER THRUST)
F-5-1	9	HZZ3-41151-E00		1	(POWER THRUST)
F-5-1	10	HZZ3-41160-E00		1	(POWER THRUST)
F-5-1	11	HZZ3-41161-E00		1	
F-5-1	12	HZW1-41201-B02ZD		1	*T107* BAY BLUE
F-5-1	14	HZY6-90123-000		2	
F-5-1	15	HZW1-90301-B00		1	
F-5-1	16	HZW1-90506-B00		1	
F-5-1	17	HZW1-90508-B00		1	
F-5-1	18	HZW1-90528-B00		1	
F-5-1		HZW1-90529-B00		1	
F-5-1		HZW1-90530-B00		1	
F-5-1		HZW1-90531-B00		1	
F-5-1	19	HZW1-90758-B00		1	
F-5-1	20	HMY5-91005-601		1	
F-5-1	21	HZW1-91051-B02		1	(50X82X21.5)
F-5-1	22	HZW5-91054-003		2	
F-5-1	23	HZW1-91101-003		1	
F-5-1	24	HZZ3-91252-003		2	
F-5-1	25	HZW1-91351-B02		1	
F-5-1	26	HCO-94510-14000		1	
F-5-1	27	HCO-96100-62080-00		1	



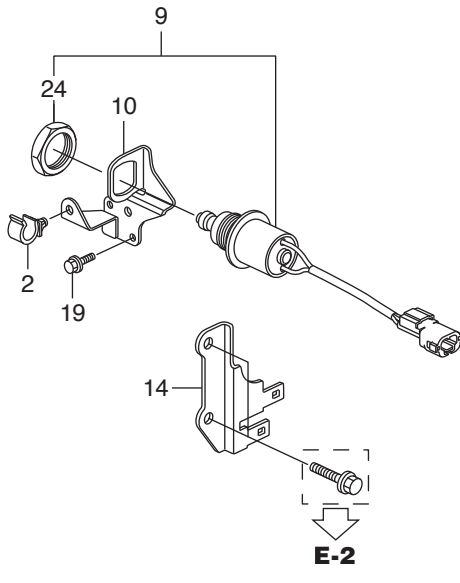
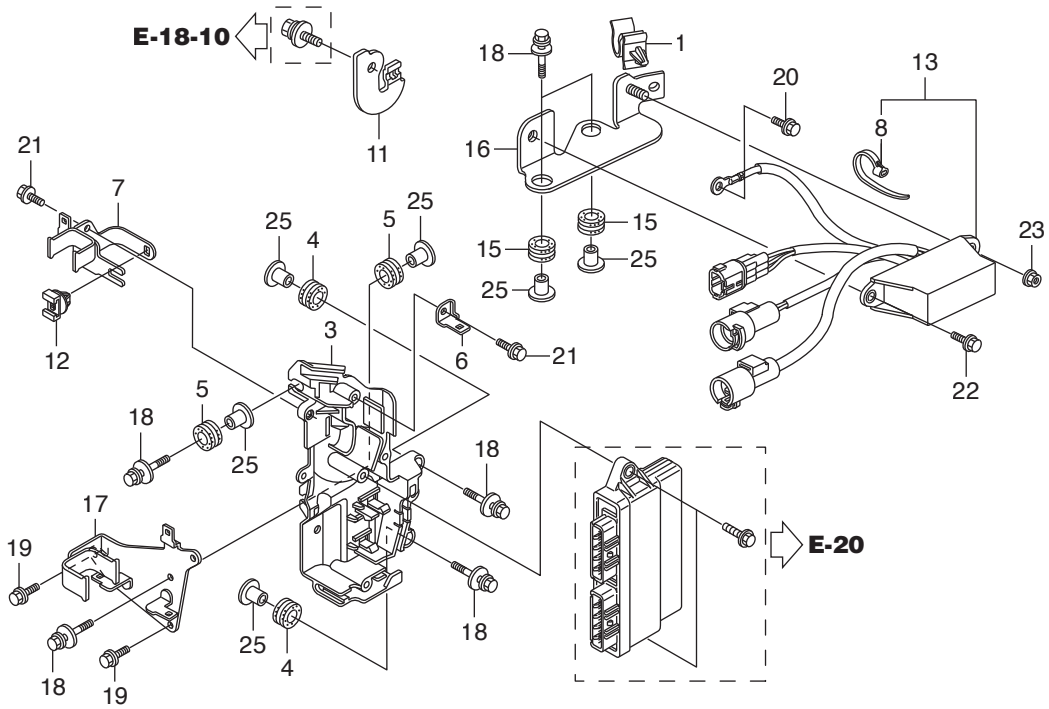
FR.



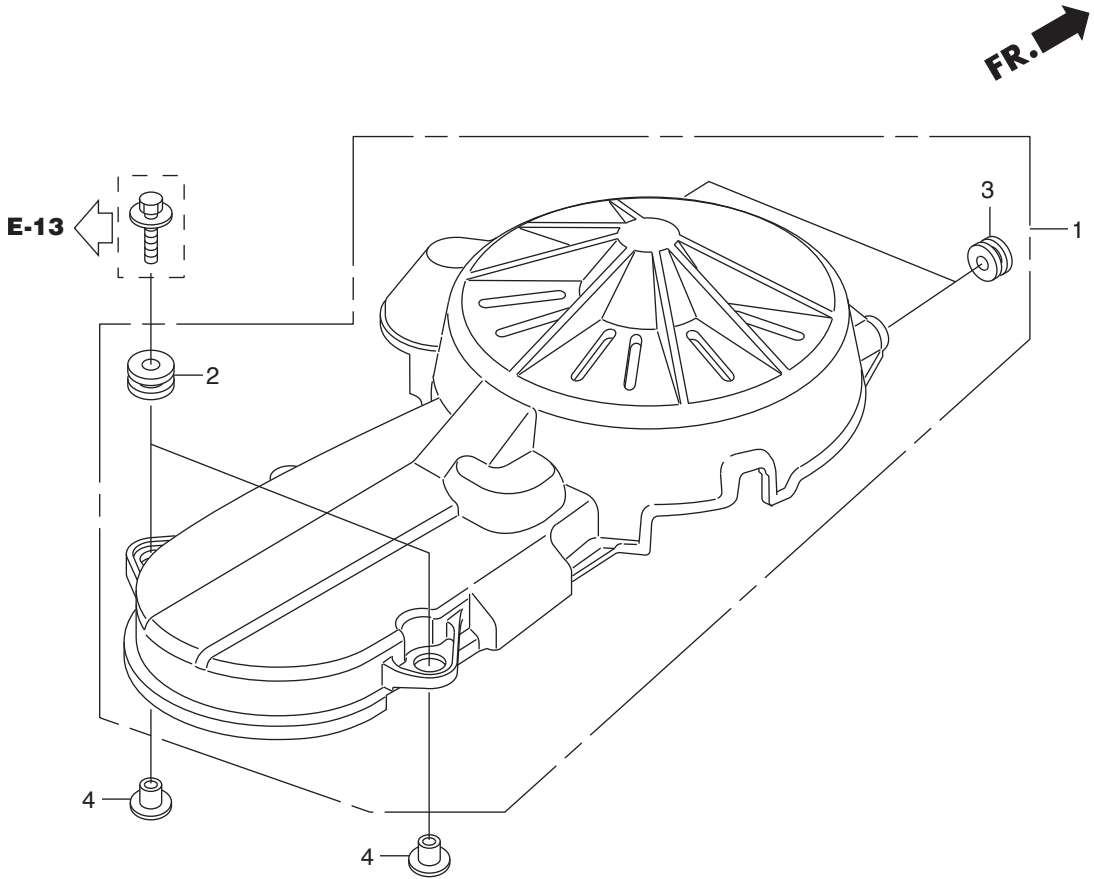




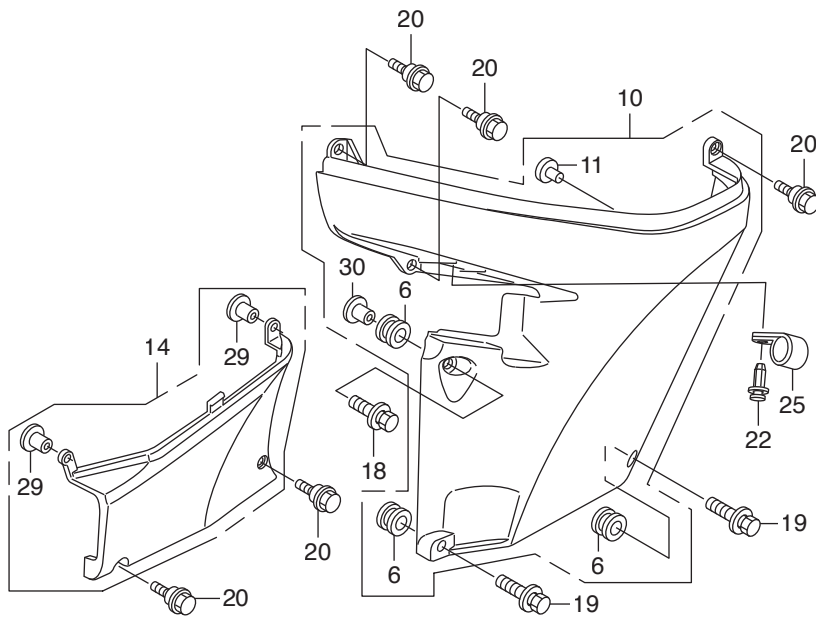
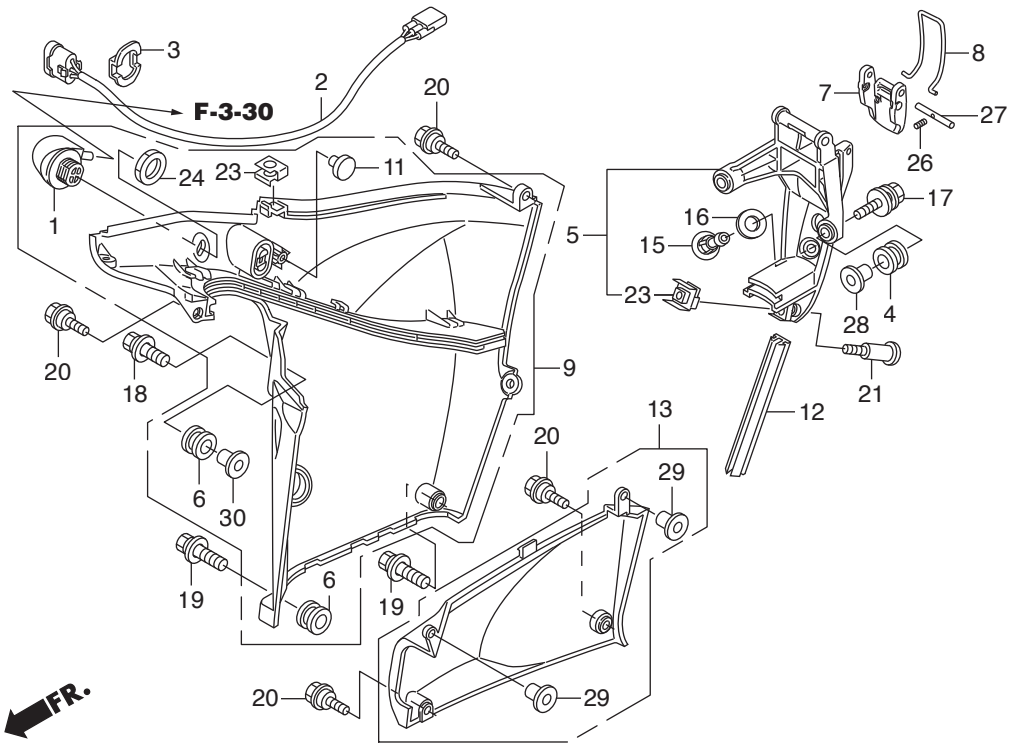
←FR.



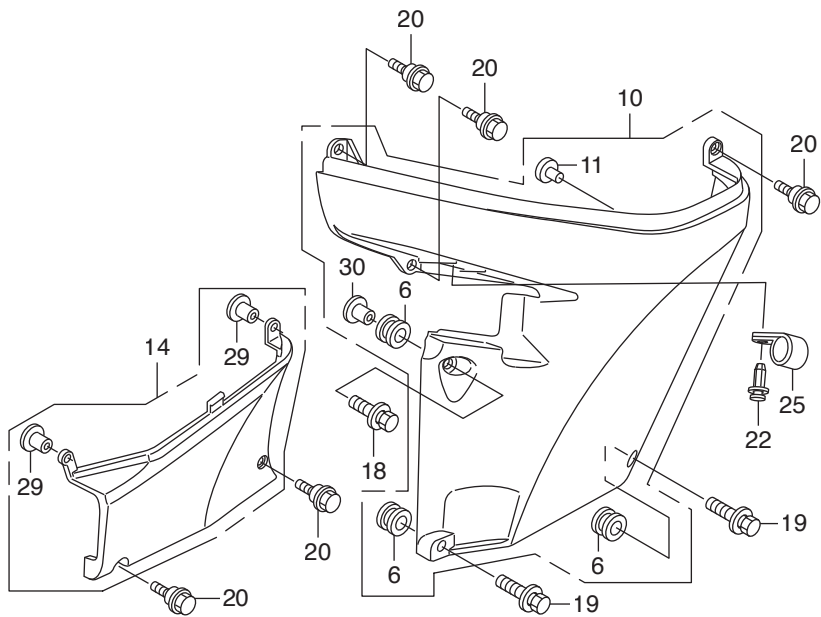
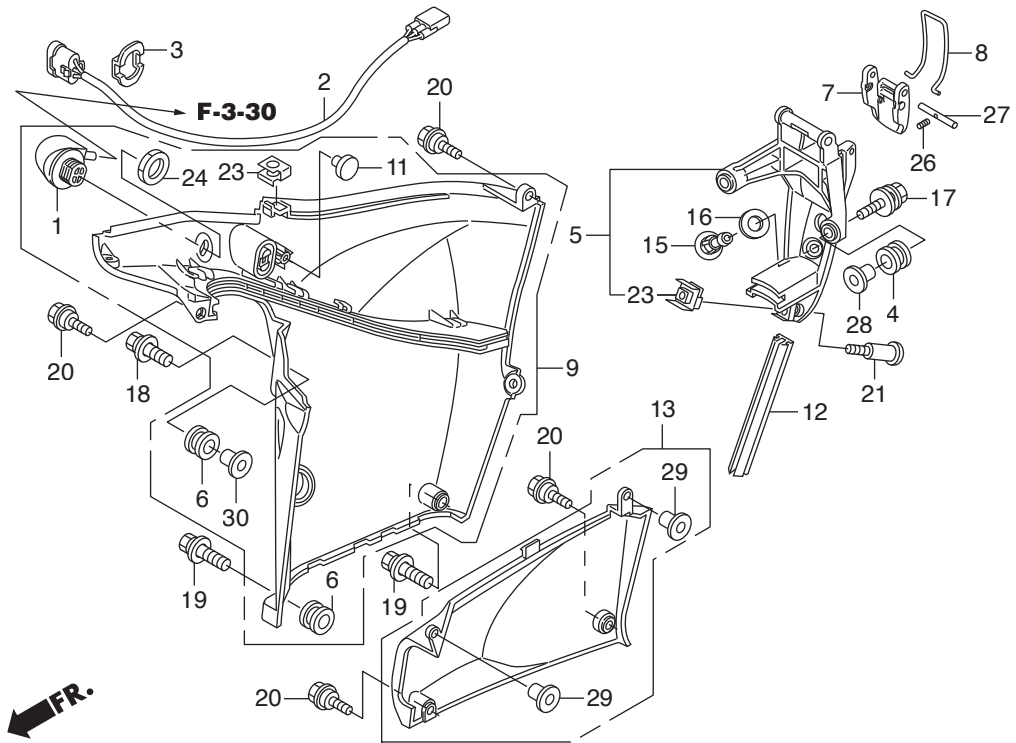
Ref.No.	Part No.	Description	Q' ty		Remarks	
			BFT60A	BFW60A		
F-7-20	1	HZ0G-16446-003	CLAMP, FUEL TUBE	1	1	
F-7-20	2	HZY9-16896-003	CLAMP B, FUEL TUBE	1	1	
F-7-20	3	HZZ3-30416-000	CASE, ELECTRONIC PARTS	1	1	
F-7-20	4	HZY9-30419-003	GROMMET, ELECTRONIC PARTS CASE	2	2	
F-7-20	5	HZV5-30598-000	GROMMET, C.D.I. UNIT CASE(B)	2	2	
F-7-20	6	HZZ3-32101-000	BRACKET, A.C. GENERATOR FUSE	1	1	
F-7-20	7	HZZ3-32102-000	BRACKET, FUSE	1	1	
F-7-20	8	H952-32901-770	TIE, CABLE(NATURAL)(2.4X92)	1	1	
F-7-20	9	HZZ3-35470-023	SWITCH ASSY., NEUTRAL	1	1	
F-7-20	10	HZZ3-35475-000	BRACKET COMP., NEUTRAL SWITCH	1	1	
F-7-20	11	HZZ3-35645-000	BRACKET, POWER TILT SWITCH	1	1	COUPLER
F-7-20	12	HZY3-38216-003	CLIP, COUPLER HOLDER(B)	1	1	
F-7-20	13	HZZ3-38550-003	RELAY ASSY., POWER TILT	1	1	
F-7-20	14	HZZ3-38552-000	BRACKET A, POWER TILT COUPLER	1	1	
F-7-20	15	HZY9-38553-003	GROMMET, RELAY BRACKET	2	2	
F-7-20	16	HZZ3-38553-000	BRACKET, POWER TILT RELAY	1	1	
F-7-20	17	HZZ3-38582-000	BRACKET, MAIN RELAY	1	1	
F-7-20	18	HZW2-90003-000	BOLT-WASHER, 6X27(CT200)	6	6	
F-7-20	19	HZW9-90011-000	BOLT, FLANGE, 6X14(CT200)	3	3	
F-7-20	20	HZW9-90013-000	BOLT, FLANGE, 6X12	1	1	
F-7-20	21	HZW9-90014-000	BOLT, FLANGE, 6X10	2	2	
F-7-20	22	HZY3-90021-000	BOLT, FLANGE, 6X14	1	1	
F-7-20	23	HZW2-90301-F00	NUT, FLANGE, 6MM	1	1	
F-7-20	24	HZV5-90302-003	NUT, HEX., 20MM	1	1	
F-7-20	25	HZV5-91553-010	COLLAR, C.D.I. UNIT CASE	6	6	

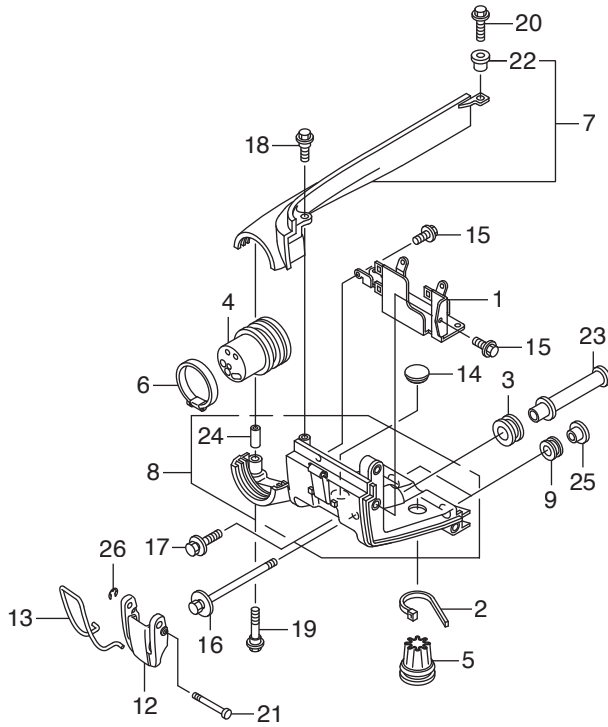
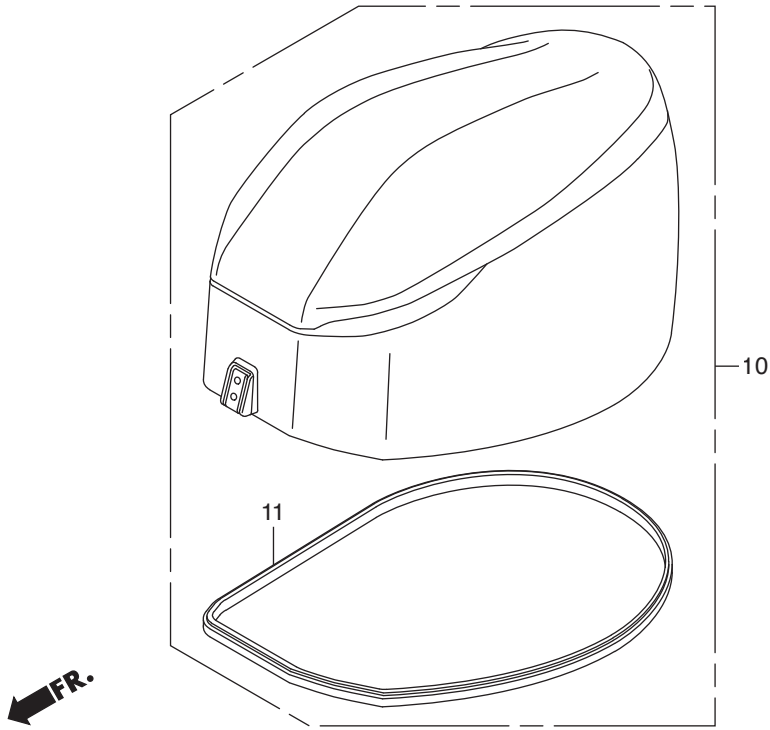


Ref.No.	Part No.	Description	Q' ty		Remarks	
			BFT60A	BFW60A		
F-7-30	1	HZZ3-31145-000	COVER, A.C. GENERATOR	1	1	
F-7-30	2	HZV5-40102-000	GROMMET, UNDER CASE	2	2	
F-7-30	3	H437-50142-970	GROMMET, SIDE COVER	2	2	
F-7-30	4	HZV5-91553-010	COLLAR, C.D.I. UNIT CASE	2	2	

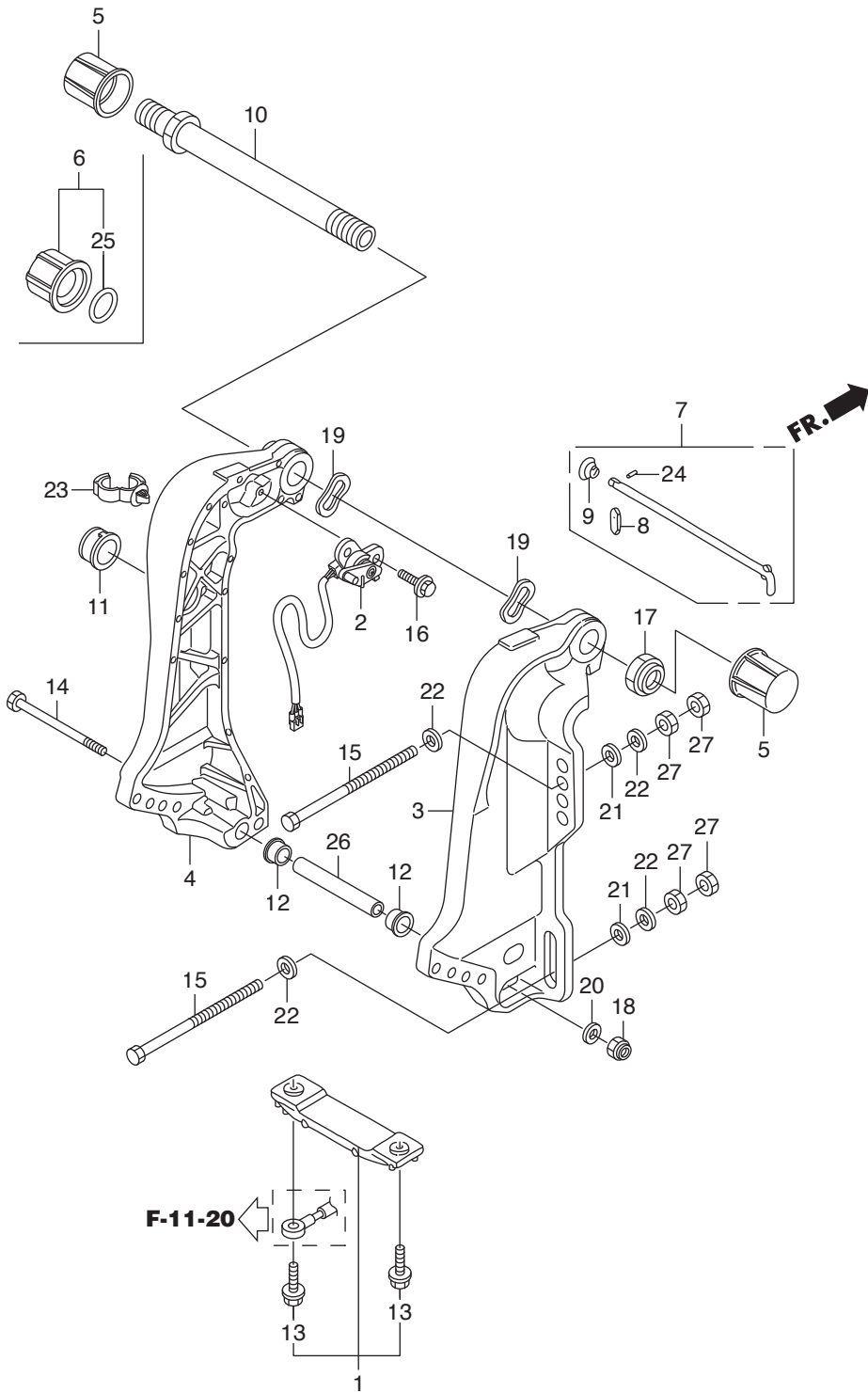


Ref.No.	Part No.	Description	Q' ty		Remarks	
			BFT60A	BFW60A		
F-8	1	HZY6-19289-000	CAP, WATER JOINT	1	1	
F-8	2	HZZ3-35640-003	SWITCH ASSY., POWER TILT	1	1	
F-8	3	HZY9-35645-000	STAY, POWER TILT SWITCH	1	1	
F-8	4	HZV5-40102-000	GROMMET, UNDER CASE	2	2	
F-8	5	HZZ3-40155-000	BRACKET, RR. UNDER COVER	1	1	
F-8	6	HMB6-61102-631	RUBBER, FENDER MOUNTING	6	6	
F-8	7	HZY9-63232-010	LEVER, FASTENER	1	1	
F-8	8	HZY9-63237-000	WIRE, FASTENER	1	1	
F-8	9	HZZ3-63710-000ZC	COVER ASSY., R. ENGINE UNDER	1	1	*T107* BAY BLUE
F-8	10	HZZ3-63715-000ZC	COVER ASSY., L. ENGINE UNDER	1	1	*T107* BAY BLUE
F-8	11	HZW9-63718-000	RUBBER, CUSHION	2	2	
F-8	12	HZZ3-63724-000	SEAL, RR. UNDER COVER	1	1	
F-8	13	HZZ3-63731-000ZC	COVER, R. LOWER MOUNTING	1	1	*T107* BAY BLUE
F-8	14	HZZ3-63736-000ZC	COVER, L. LOWER MOUNTING	1	1	*T107* BAY BLUE
F-8	15	HZY9-82873-000	GROMMET, WATER CHECK	1	1	
F-8	16	HZY9-82874-000	SEAL, WATER CHECK GROMMET	1	1	
F-8	17	HZW1-90013-000	BOLT-WASHER, 6X25	2	2	
F-8	18	HZY9-90103-000	BOLT-WASHER, 6X22	2	2	
F-8	19	HZZ3-90106-000	BOLT-WASHER, 6X27	4	4	
F-8	20	HZY3-90111-000	BOLT, SPECIAL, 6X17	9	9	
F-8	21	HZY9-90113-003	BOLT, RR. BRACKET	1	1	
F-8	22	HZV5-90127-003	SCREW, RIVET, 5X10	1	1	
F-8	23	HZY6-90301-000	NUT, CLIP	2	2	
F-8	24	H921-90302-000	NUT, HEX., 16MM	1	1	
F-8	25	HSB0-90602-003	CLIP, 10.7MM	1	1	
F-8	26	HZY9-90751-000	PIN, SPRING, 2.0X12	1	1	
F-8	27	HZY9-90755-000	PIN, 5X59	1	1	
F-8	28	HZV5-91553-010	COLLAR, C.D.I. UNIT CASE	2	2	
F-8	29	HZY6-91553-000	COLLAR, DISTANCE, 6.5X9X5	4	4	

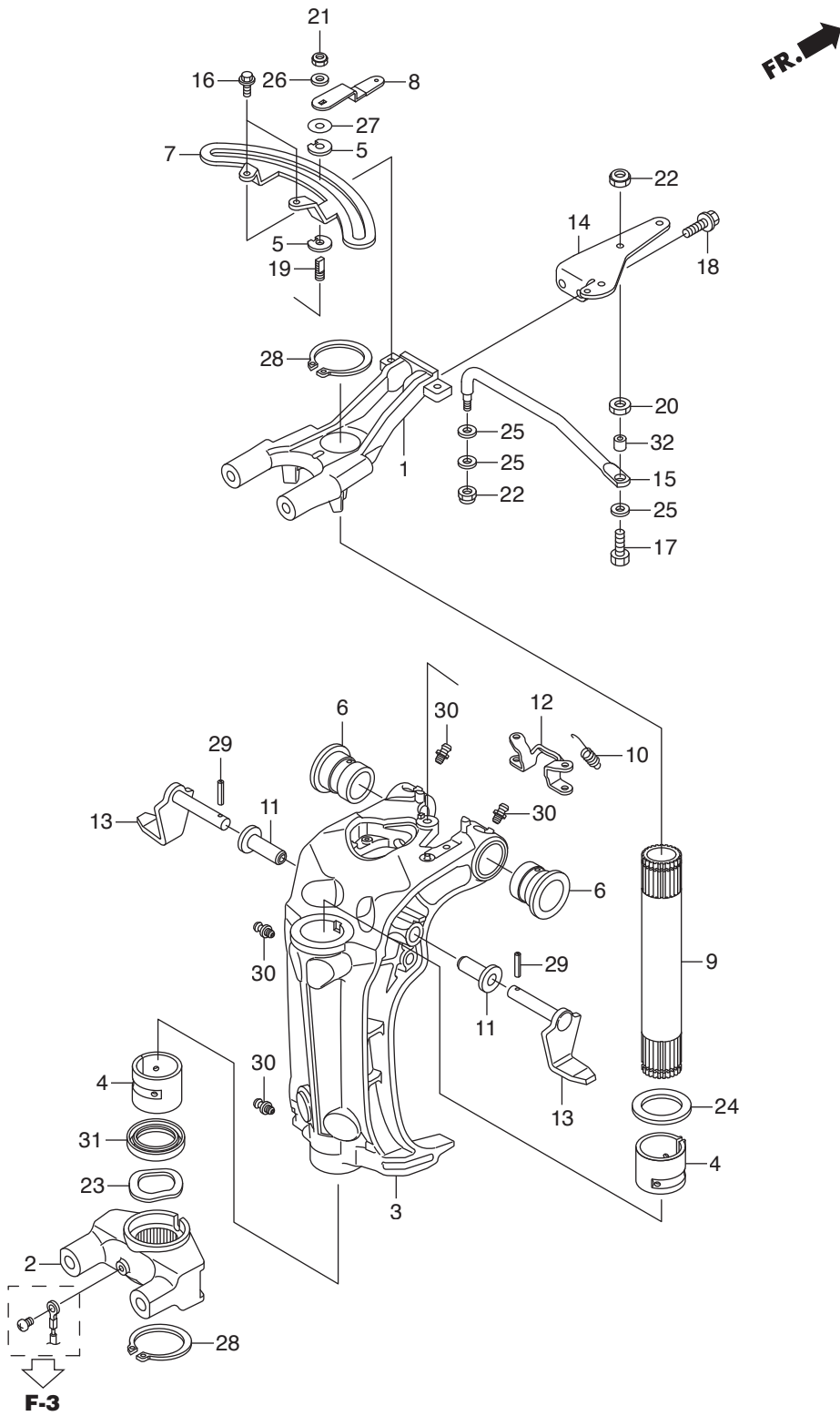




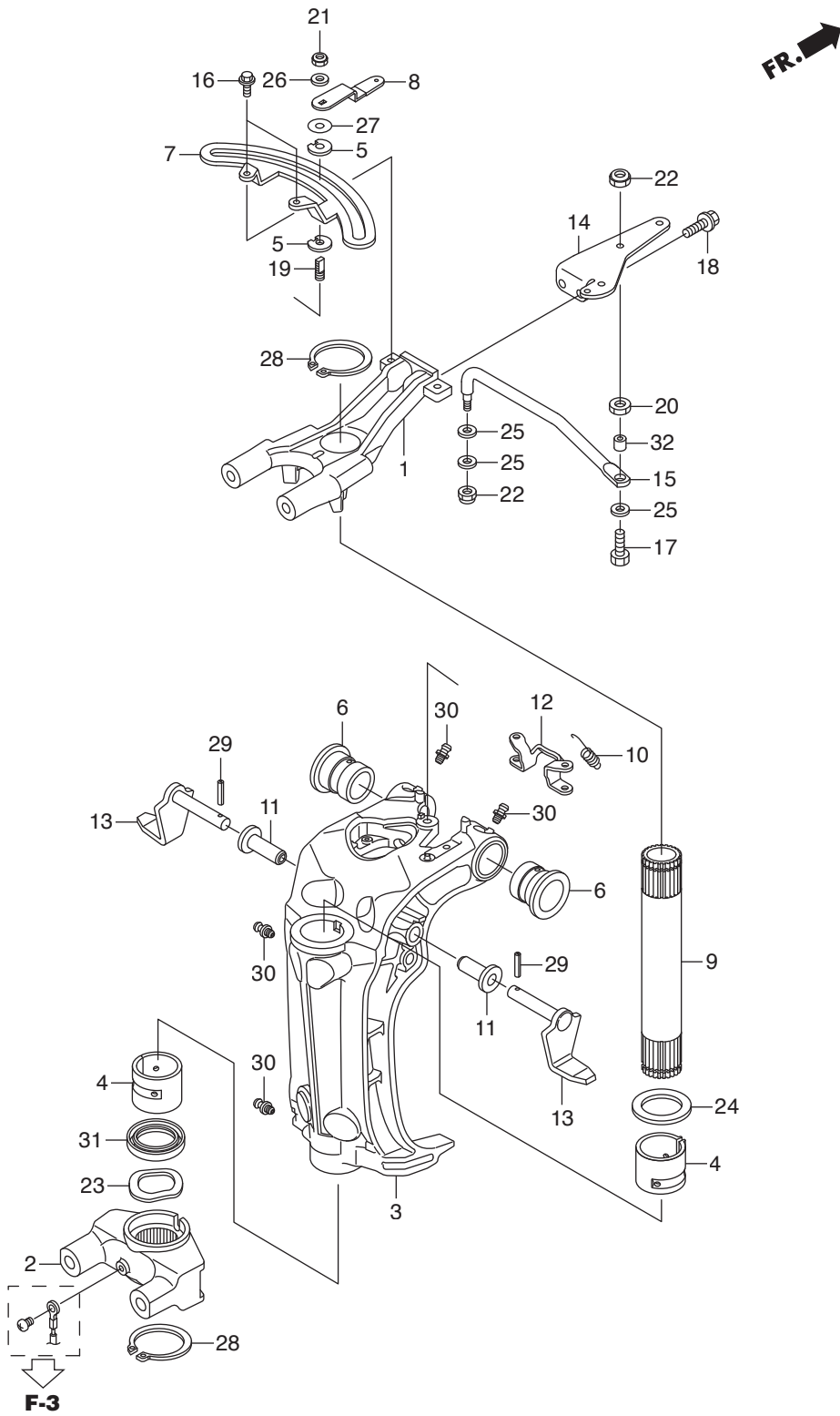
Ref.No.	Part No.	Description	Q' ty		Remarks	
			BFT60A	BFW60A		
F-8-10	1	HZZ3-32581-000	BRACKET, REMOTE CONTROL CABLE	1	1	
F-8-10	2	HMG9-35701-950	BAND(BLACK 3.5X140)	1	1	
F-8-10	3	HZV5-40102-000	GROMMET, UNDER CASE	1	1	
F-8-10	4	HZZ3-40105-000	GROMMET, REMOTE CONTROL CABLE	1	1	LRTD,LRTU
F-8-10		HZZ3-40105-A00	GROMMET, STEERING HANDLE CABLE	1		LHTD
F-8-10	5	HZW1-40107-700	GROMMET, UNDER CASE(C)	1	1	
F-8-10	6	HZY3-40119-003	BAND, UNDER CASE GROMMET	1	1	
F-8-10	7	HZZ3-40151-000ZC	COVER, FR. SEPARATE	1	1	*T107* BAY BLUE
F-8-10	8	HZZ3-40154-000ZC	BRACKET, FR. UNDER COVER	1	1	*T107* BAY BLUE
F-8-10	9	HMB6-61102-631	RUBBER, FENDER MOUNTING	2	2	
F-8-10	10	HZZ3-63100-010ZC	COVER ASSY., ENGINE	1	1	*T107* BAY BLUE
F-8-10	11	HZZ3-63102-000	SEAL, ENGINE COVER	1	1	
F-8-10	12	HZY9-63232-010	LEVER, FASTENER	1	1	
F-8-10	13	HZY9-63237-000	WIRE, FASTENER	1	1	
F-8-10	14	HZC0-63515-700	CAP, L. SIDE COVER	1	1	
F-8-10	15	HZW9-90014-000	BOLT, FLANGE, 6X10	2	2	
F-8-10	16	HZY9-90104-000	BOLT-WASHER, 6X95	1	1	
F-8-10	17	HZZ3-90106-000	BOLT-WASHER, 6X27	2	2	
F-8-10	18	HZY3-90111-000	BOLT, SPECIAL, 6X17	1	1	
F-8-10	19	HZY3-90132-000	BOLT, SPECIAL, 6X37	1	1	
F-8-10	20	HZW4-90168-000	BOLT, FLANGE,(SH)6X20	1	1	
F-8-10	21	HZY9-90754-000	PIN, 5X44.5	1	1	
F-8-10	22	HZY6-91553-000	COLLAR, DISTANCE, 6.5X9X5	1	1	
F-8-10	23	HZY9-91553-000	COLLAR, FR. BRACKET	1	1	
F-8-10	24	HZZ3-91553-000	COLLAR, DISTANCE, 6.1X9.1X20.5	1	1	
F-8-10	25	HZY9-91554-000	COLLAR, DISTANCE, 6.2X7.5	2	2	
F-8-10	26	HCO-94540-04029	E-RING, 4MM	1	1	



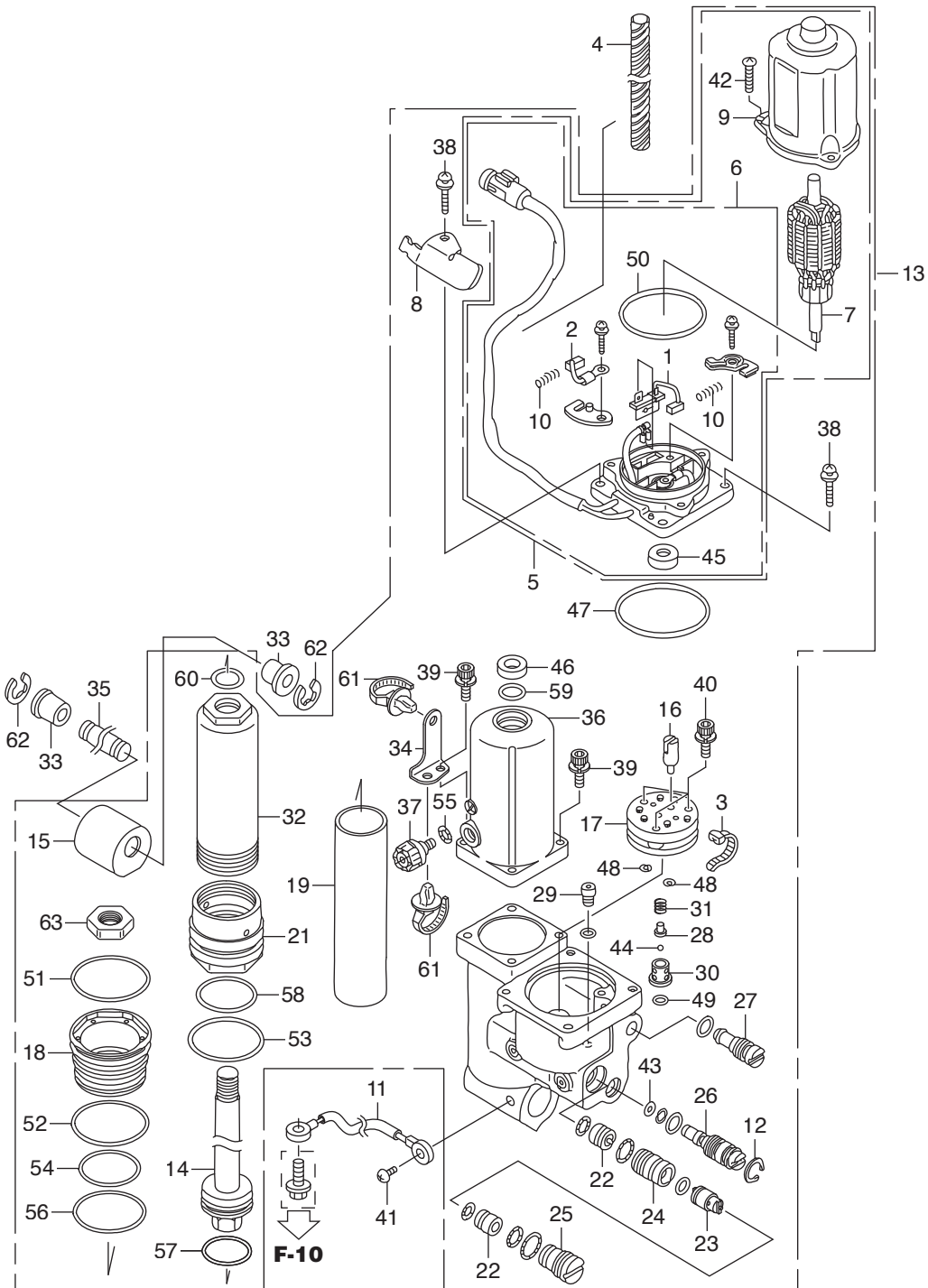
Ref.No.	Part No.	Description	Q' ty		Remarks	
			BFT60A	BFW60A		
F-10	1	HZV5-06411-020	METAL KIT, ANODE	1	1	
F-10	2	HZZ3-35660-003	SENSOR ASSY., TRIM ANGLE	1	1	LRTD,LRTU
F-10						
F-10	3	HZZ3-50301-010ZC	BRACKET, R. STERN	1	1	*T107* BAY BLUE
F-10	4	HZZ3-50311-000ZC	BRACKET, L. STERN	1	1	*T107* BAY BLUE
F-10	5	HZV5-50331-000	CAP, TILTING BOLT	2		LHTD
F-10	6	HZV5-50335-000	CAP ASSY.	1	1	LRTD,LRTU
F-10	7	HZZ5-50340-000	ROD COMP., ADJUSTING	1	1	
F-10	8	HZV5-50342-300	STOPPER, ROD	1	1	
F-10	9	H921-50343-300	SPRING, ADJUSTING ROD	1	1	
F-10	10	HZZ3-50380-000	SHAFT COMP., TILT	1	1	
F-10	11	HZV5-56118-820	BUSH, MOTOR CODE	1	1	
F-10	12	HZV5-56513-000	BUSH, LOWER CYLINDER	2	2	
F-10	13	HZW9-90009-000	BOLT, FLANGE, 6X23	2	2	
F-10	14	HZV5-90108-000	BOLT, HEX., 10X158	1	1	
F-10	15	HZZ3-90129-000	BOLT, HEX., 12X119	4	4	
F-10	16	HHW1-90215-671	BOLT, FLANGE, 6X16	2	2	LRTD,LRTU
F-10						
F-10	17	HZV5-90304-013	NUT, SELF-LOCK(7/8-14UNF)	1	1	
F-10	18	HZW4-90306-003	NUT, FLANGE, 10MM	1	1	
F-10	19	HZV5-90502-000	WASHER, WAVE, 26MM	2	2	
F-10	20	H921-90511-000	WASHER, PLAIN, 10MM	1	1	
F-10	21	HZV5-90552-000	WASHER, PLAIN, 12MM	4	4	
F-10	22	HZV5-90559-000	WASHER, PLAIN, 12MM	8	8	
F-10	23	H763-90681-A01	CLIP, WIRE HARNESS	1	1	
F-10	24	HZW6-90751-000	PIN, SPRING, 2.5X8	1	1	
F-10	25	HZV5-91352-000	O-RING, 15.54X2.26	1	1	LRTD,LRTU
F-10	26	HZV5-91556-000	COLLAR, DISTANCE, 10X90	1	1	
F-10	27	HCO-94001-12490-0S	NUT, HEX., 12MM	8	8	



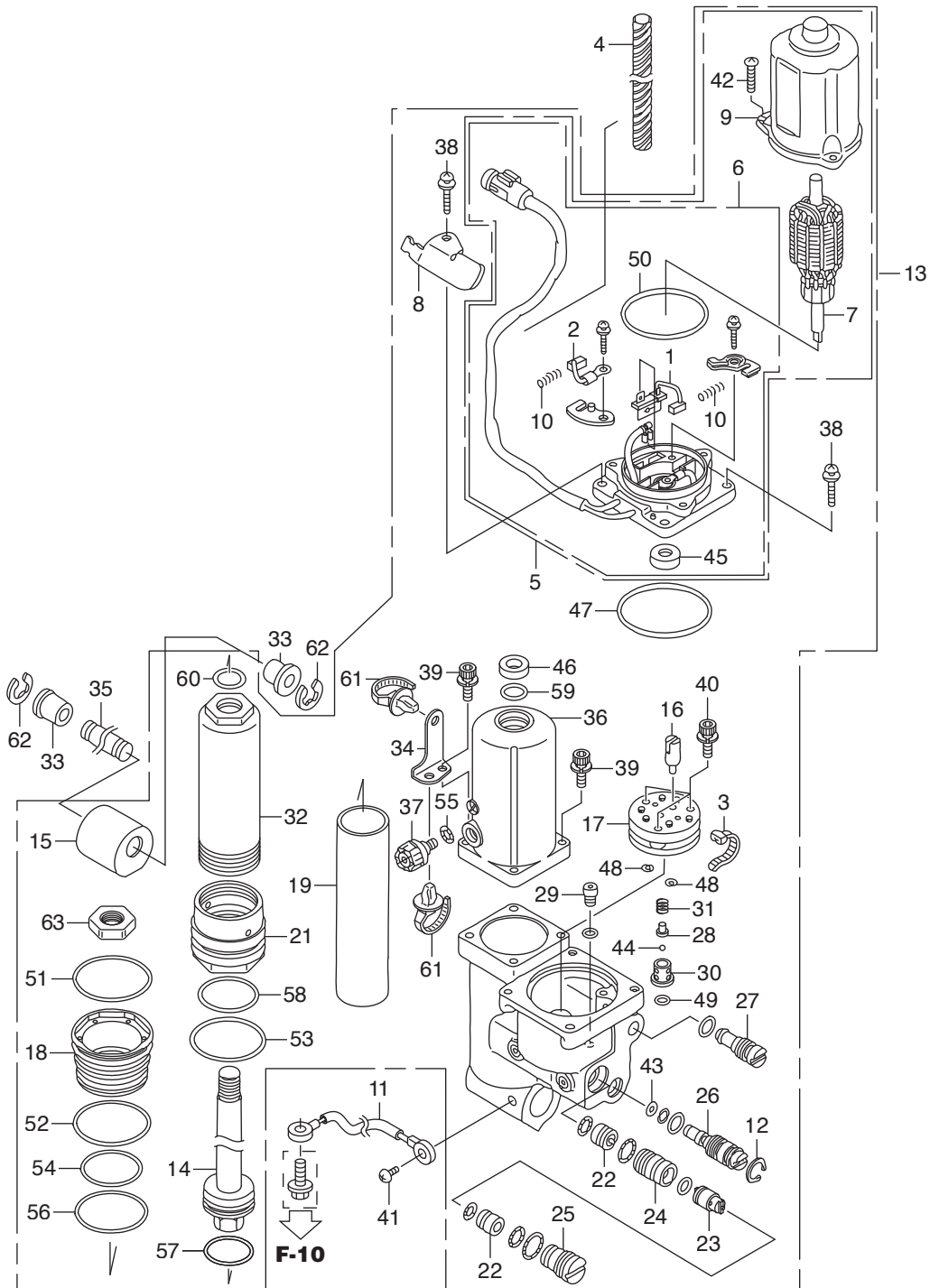
Ref.No.	Part No.	Description	Q' ty		Remarks	
			BFT60A	BFW60A		
F-11	1	HZZ3-50101-000	FRAME, MOUNT	1	1	
F-11	2	HZZ3-50161-000ZE	HOUSING, LOWER CENTER MOUNTING	1	1	*T107* BAY BLUE
F-11	3	HZZ3-50201-000ZC	CASE, SWIVEL	1	1	*T107* BAY BLUE
F-11	4	HZZ5-50211-000	LINER, SWIVEL CASE	2	2	
F-11	5	HZW9-50212-003	BLOCK COMP., FRICTION	2		LHTD
F-11	6	HZW1-50214-000	BUSH, SWIVEL CASE	2	2	
F-11	7	HZZ3-50218-000	PLATE, FRICTION	1		LHTD
F-11	8	HZW9-50219-010	LEVER, FRICTION	1		LHTD
F-11	9	HZZ3-50417-000	SHAFT, SWIVEL	1	1	
F-11	10	HZV5-50515-000	SPRING, TILT LEVER	1	1	
F-11	11	HZV5-50522-000	BUSH, TILT ARM	2	2	
F-11	12	HZV5-50527-000	BRACKET, TILTING	1	1	
F-11	13	HZZ3-50529-000	STOPPER, TILT	2	2	
F-11	14	HZZ3-53234-000	PLATE, STEERING	1	1	LRTD,LRTU
F-11	15	HZZ3-53238-610	ROD, STEERING	1	1	LRTD,LRTU
F-11	16	HZW9-90102-000	BOLT, FLANGE, 6X12	2		LHTD
F-11	17	HZY3-90117-000	BOLT, 3/8-24UNF	1	1	LRTD,LRTU
F-11	18	HZW9-90154-000	BOLT, FLANGE, 10X25	2	2	LRTD,LRTU
F-11	19	HZW9-90162-000	BOLT, STUD, 8X26	1		LHTD
F-11	20	HZV5-90302-000	NUT,(3/8-24 UNF)	1	1	LRTD,LRTU
F-11	21	HZW9-90305-000	NUT, SELF-LOCK, 8MM	1		LHTD
F-11	22	HZV5-90307-003	NUT, SELF-LOCK(3/8-24UNF)	2	2	LRTD,LRTU
F-11	23	HZV5-90501-000	WASHER, WAVE, 40MM	1	1	
F-11	24	HZV5-90504-000	WASHER, THRUST, 34MM	1	1	
F-11	25	HZV4-90514-000	WASHER, 10MM	3	3	LRTD,LRTU
F-11	26	H921-90514-000	WASHER, 8MM	1		LHTD
F-11	27	HZW9-90517-000	WASHER, NYLON, 8MM	1		LHTD
F-11	28	HZW4-90651-000	CIRCLIP, EXTERNAL, 39MM	2	2	
F-11	29	HZW6-90752-000	PIN, SPRING, 2.5X20	2	2	



FR. 

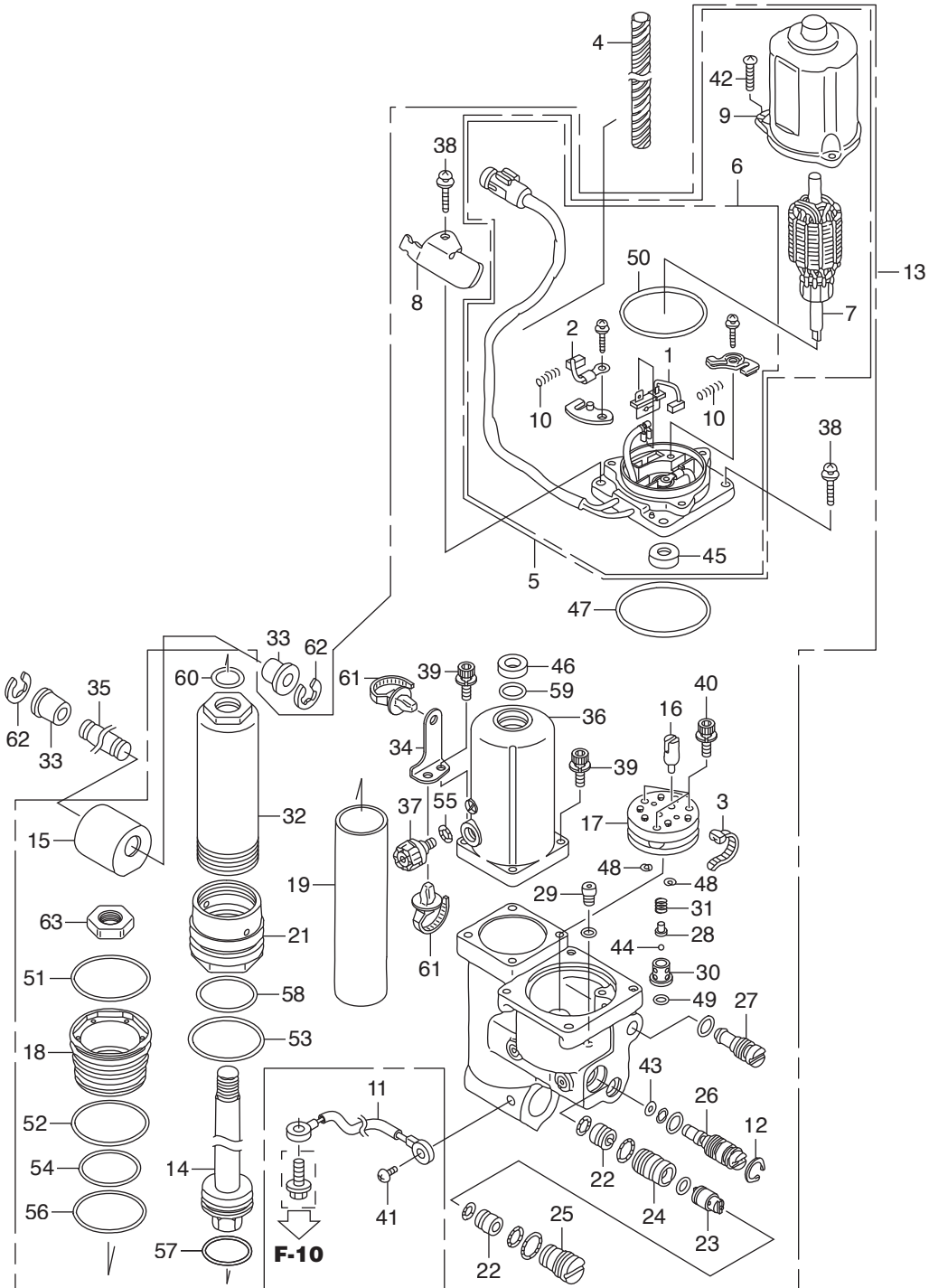


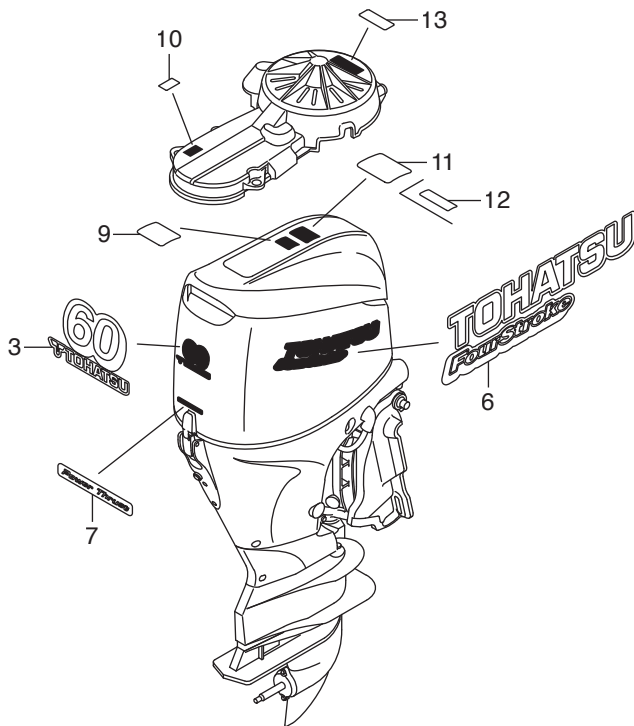
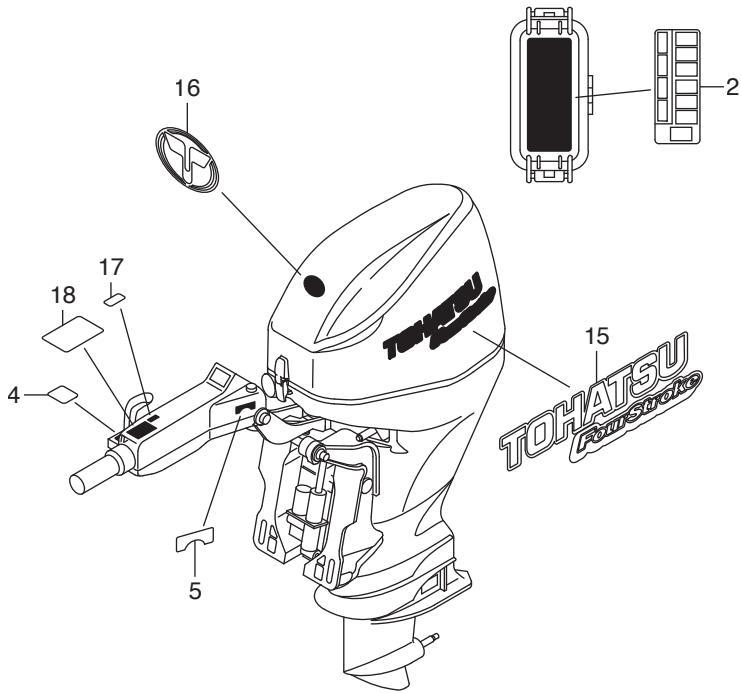
Ref.No.	Part No.	Description	Q'ty		Remarks	
			BFT60A	BFW60A		
F-11-20	1	HZW4-30280-H11	BREAKER ASSY.	1	1	
F-11-20	2	HZY3-31106-003	BRUSH ASSY.	1	1	
F-11-20	3	HMG9-35701-950	BAND(BLACK 3.5X140)	1	1	
F-11-20	4	HZY9-36104-003	TUBE, SPIRAL(12X14.6)	1	1	
F-11-20	5	HZZ3-36120-003	MOTOR ASSY., POWER TILT	1	1	
F-11-20	6	HZZ3-36122-003	BRACKET ASSY.	1	1	
F-11-20	7	HZW4-36123-H12	ARMATURE COMP.	1	1	
F-11-20	8	HZW4-36125-H11	CLAMPER, CORD	1	1	
F-11-20	9	HZV5-36129-822	YOKE COMP.	1	1	
F-11-20	10	HZV5-36136-821	SPRING, MOTOR	2	2	
F-11-20	11	HZY3-40219-013	WIRE, LEAD(1.5X116MM)	1	1	
F-11-20	12	HZY1-53549-871	CIRCLIP, INTERNAL(16)	1	1	
F-11-20	13	HZZ3-56000-033	TRIM-TILT ASSY., POWER	1	1	
F-11-20	14	HZZ3-56110-013	ROD COMP., PISTON	1	1	
F-11-20	15	HZZ3-56113-003	METAL, JOINT	1	1	
F-11-20	16	H766-56113-801	JOINT, DRIVE	1	1	
F-11-20	17	HZW4-56114-H11	PUMP	1	1	
F-11-20	18	HZW4-56115-H11	GUIDE, OUTER TUBE	1	1	
F-11-20	19	HZZ3-56123-003	CYLINDER, TILT	1	1	
F-11-20	21	HZZ3-56135-013	BOTTOM, TILT CYLINDER	1	1	
F-11-20	22	HZZ3-56140-003	VALVE COMP. B	2	2	
F-11-20	23	HZW4-56150-H11	SPOOL COMP.	1	1	
F-11-20	24	HZY1-56161-871	SLEEVE COMP.	1	1	
F-11-20	25	HZZ3-56163-003	PLUG COMP.	1	1	
F-11-20	26	HZZ3-56170-003	VALVE COMP., MANUAL	1	1	
F-11-20	27	HZZ3-56180-003	VALVE COMP.	1	1	
F-11-20	28	HZW4-56182-H11	GUIDE, SPRING	1	1	
F-11-20	29	HZZ3-56190-003	VALVE SET	1	1	
F-11-20	30	HZW4-56191-H11	SEAT B, VALVE	1	1	



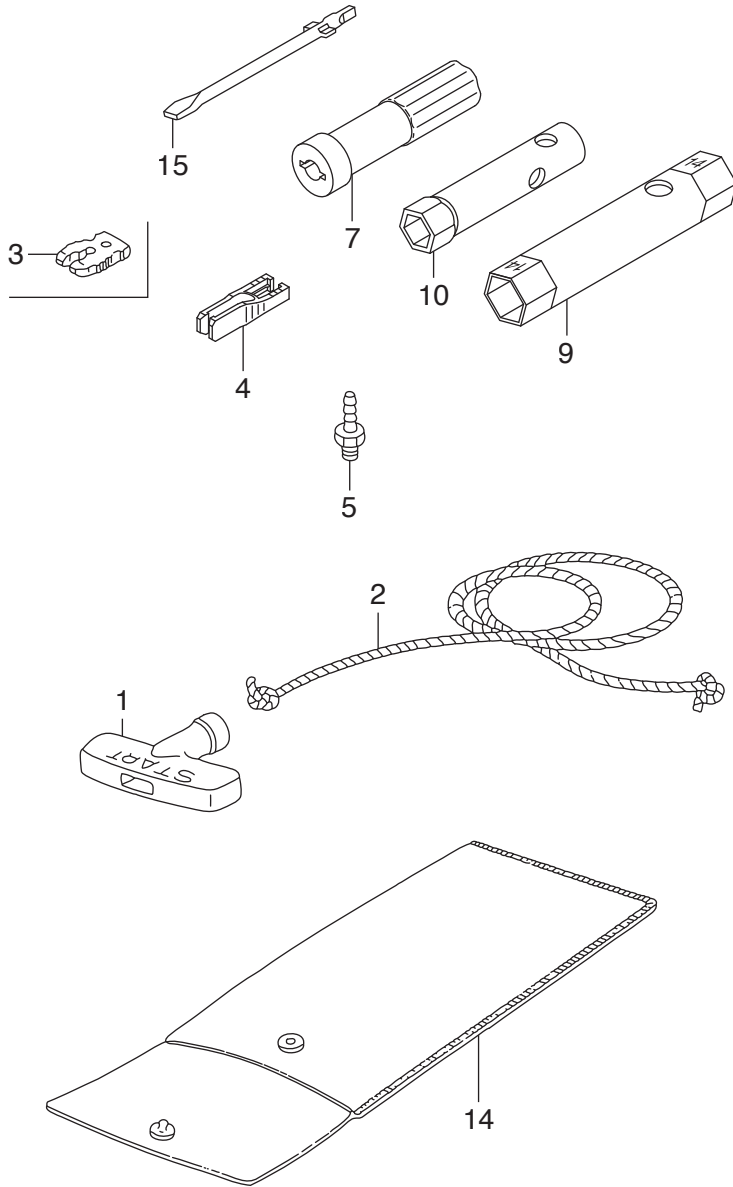
Ref.No.	Part No.	Description	Q' ty		Remarks	
			BFT60A	BFW60A		
F-11-20	31	HZW4-56192-H11	SPRING, VALVE	1	1	
F-11-20	32	HZZ3-56511-003	TUBE, OUTER	1	1	
F-11-20	33	HZV5-56512-000	BUSH, UPPER CYLINDER	2	2	
F-11-20	34	HZW4-56517-H11	PLATE, SET	1	1	
F-11-20	35	HZV5-56532-000	PIN, UPPER CYLINDER	1	1	
F-11-20	36	HZZ3-56851-003	RESERVOIR	1	1	
F-11-20	37	HZZ3-56860-003	CAP, OIL TANK	1	1	
F-11-20	38	HZV5-90001-791	SCREW-WASHER	4	4	
F-11-20	39	HZW4-90111-H11	BOLT, SOCKET, 5X0.8	4	4	
F-11-20	40	HZV5-90115-821	BOLT, SOCKET(B)	3	3	
F-11-20	41	HZV5-90119-000	SCREW, PAN, 6X8	1	1	
F-11-20	42	HZV5-90134-821	SCREW, PAN, 5X20	3	3	
F-11-20	43	HV15-90402-003	WASHER, SEAL	1	1	
F-11-20	44	HZW4-90921-H11	BALL, STEEL	1	1	
F-11-20	45	HZV5-91203-821	OIL SEAL	1	1	
F-11-20	46	HZZ3-91254-003	SEAL, WATER	1	1	
F-11-20	47	HZV5-91302-821	O-RING, 1.8X69.6	1	1	
F-11-20	48	HZV5-91304-821	O-RING, 1.5X6.5	2	2	
F-11-20	49	HZV5-91311-822	O-RING, 1.5X3.5	1	1	
F-11-20	50	HZV5-91318-822	O-RING, 2.0X55.5	1	1	
F-11-20	51	HZW4-91351-H11	O-RING, 2.0X52.5	1	1	
F-11-20	52	HZW4-91352-H11	O-RING, 2.0X49.5	1	1	
F-11-20	53	HZZ3-91353-003	O-RING, 3.5X41.7	1	1	
F-11-20	54	HZZ3-91354-003	O-RING, 2.4X41.2	1	1	
F-11-20	55	HZW4-91355-H11	O-RING, 1.8X10.8	1	1	
F-11-20	56	HZZ3-91355-003	O-RING, 2.0X45.5	1	1	
F-11-20	57	HZW4-91356-H11	O-RING, 2.0X28.5	1	1	
F-11-20	58	HZW4-91357-H11	O-RING, 2.0X34.5	1	1	
F-11-20	59	HZZ3-91357-003	O-RING, 1.9X15.8	1	1	

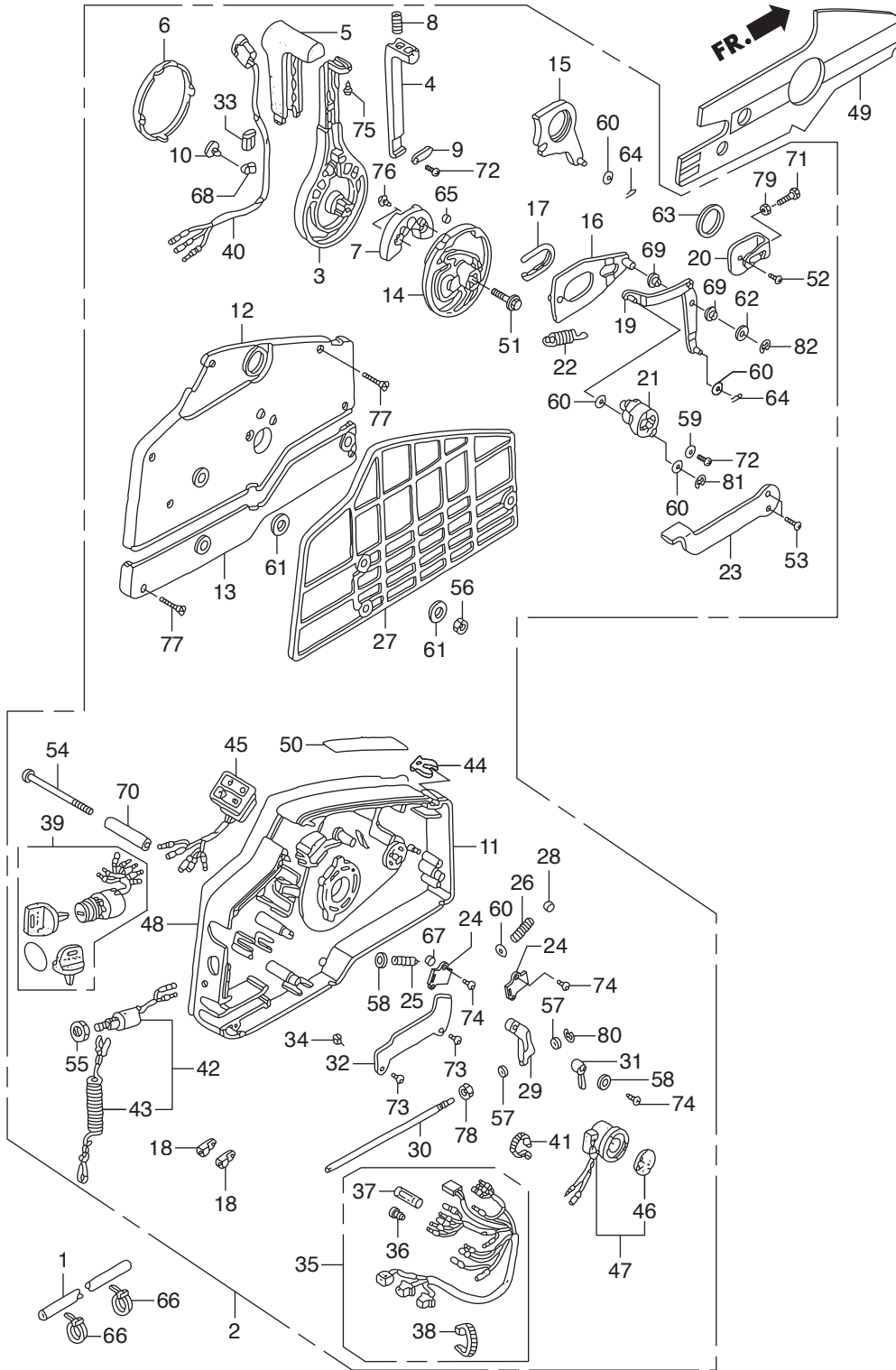
FR. →



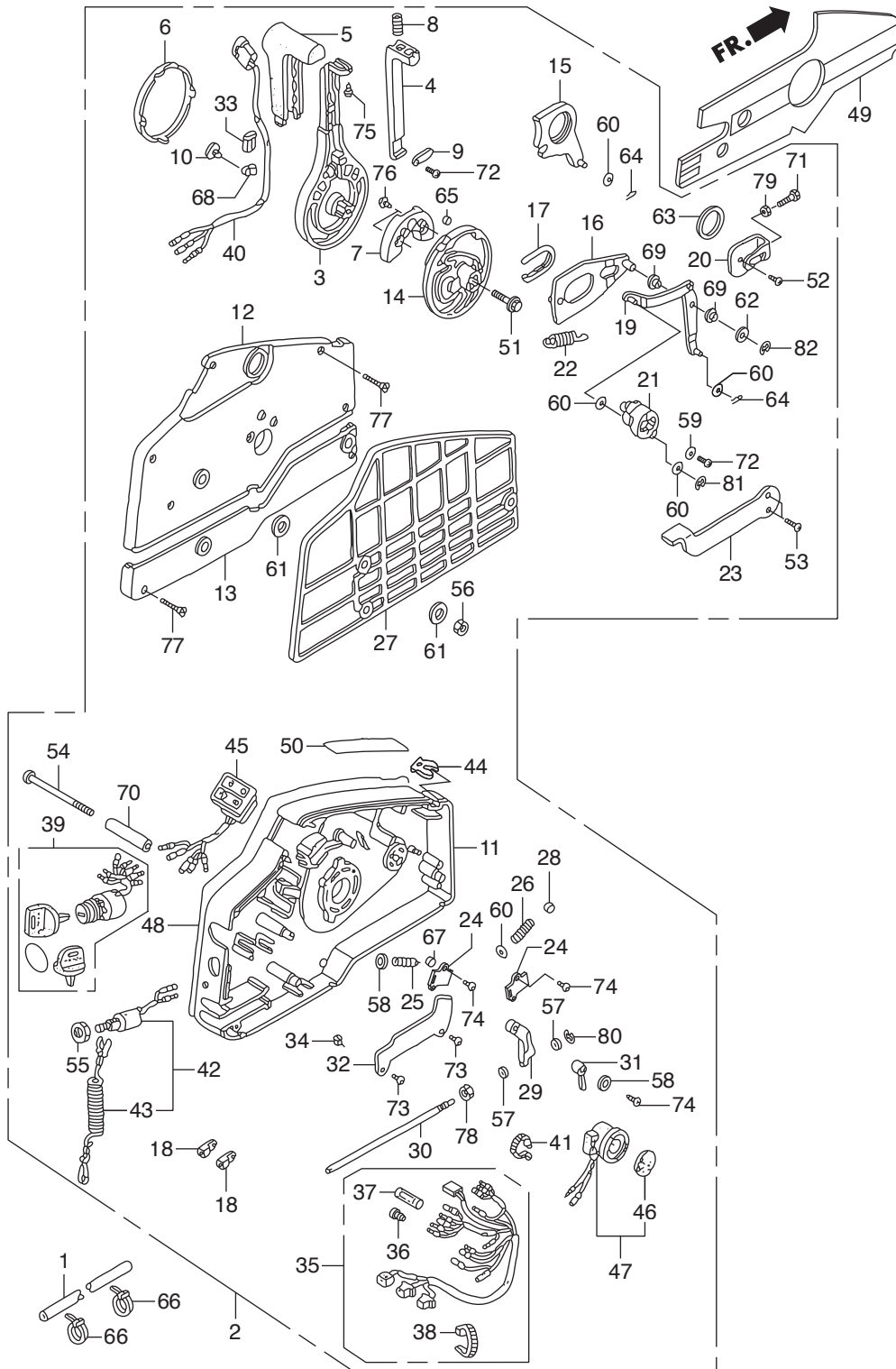


Ref.No.	Part No.	Description	Q' ty		Remarks	
			BFT60A	BFW60A		
F-12	2	HZY9-87117-000	LABEL, FUSE	1	1	
F-12	3	HZZ3-87121-R00	MARK, RR.(BFT60)	1	1	
F-12	4	HZW6-87124-U80	MARK, EMERGENCY SWITCH	1		INDICATION(EU) LHTD
F-12	5	HZZ3-87125-R00	MARK, STARTER(ENGLISH)	1		LHTD
F-12	6	HZZ3-87132-R00	MARK, R. SIDE STRIPE	1	1	
F-12	7	HZW9-87133-S00	MARK, POWER THRUST		1	
F-12	9	HVA9-87516-B50	MARK, OPERATOR CAUTION	1		LHTD,LRTD
F-12	10	HZW9-87531-620	LABEL, OIL CAUTION	1	1	
F-12	11	HZW1-87538-721	LABEL, WARNING OPERATOR(EC)	1		LHTD,LRTD
F-12	12	HZY9-87538-U80	LABEL, WARNING OPERATOR(EU)	1	1	LRTU
F-12	13	HZZ3-87546-690	MARK, EMERGENCY START(EU)	1	1	LRTU
F-12		HZZ3-87546-000	MARK, EMERGENCY START(ENGLISH)	1		LHTD,LRTD
F-12	15	HZZ3-87133-R00	MARK, L. SIDE STRIPE	1	1	
F-12	16	HZZ3-87301-R00	MARK, FR. EMBLEM(TOHATSU)	1	1	
F-12	17	HZW9-87511-620	MARK, CHANGE	1		LHTD
F-12	18	HZW9-87532-620	MARK, THROTTLE(ENGLISH/FRENCH)	1		LHTD

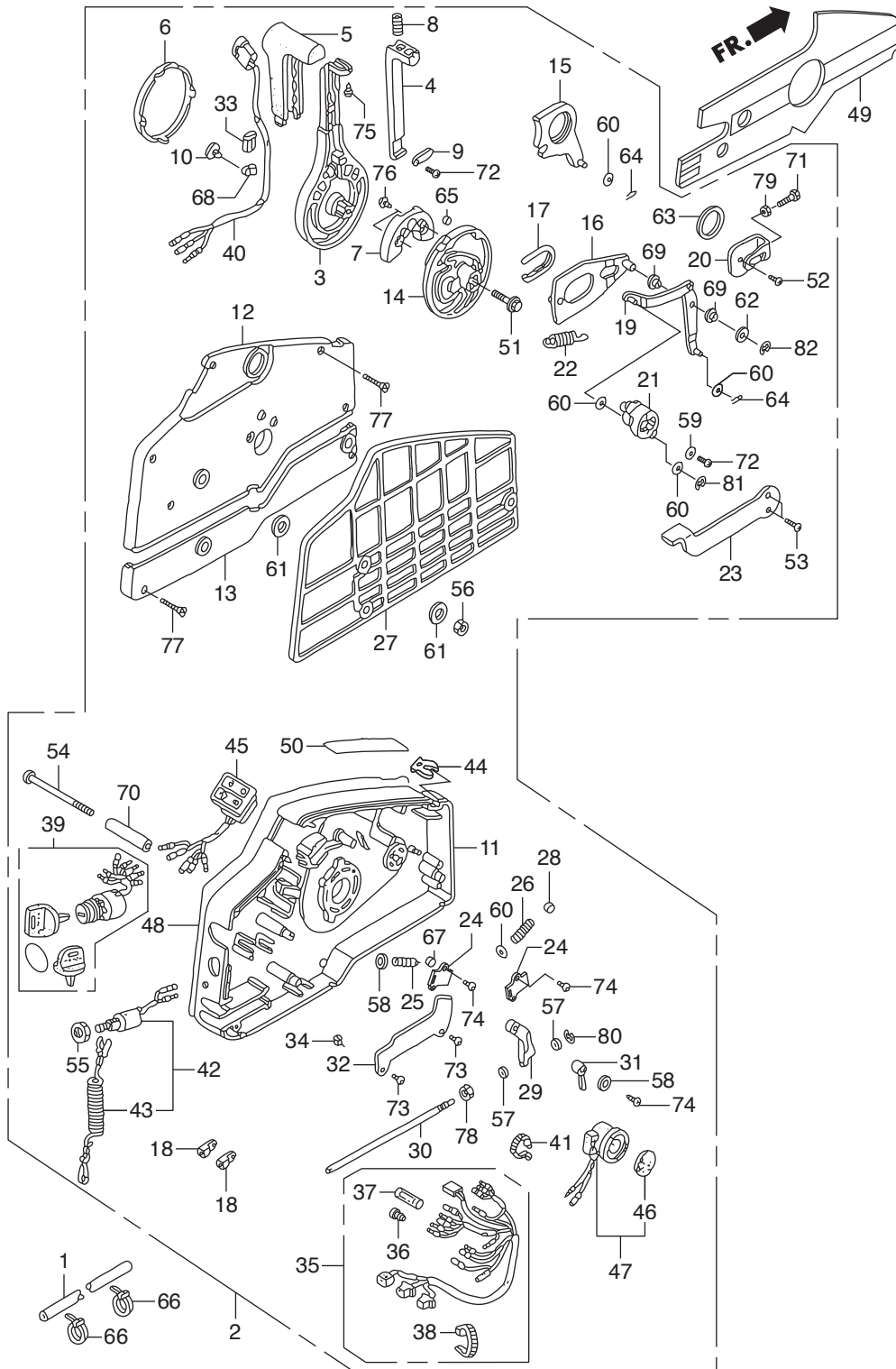




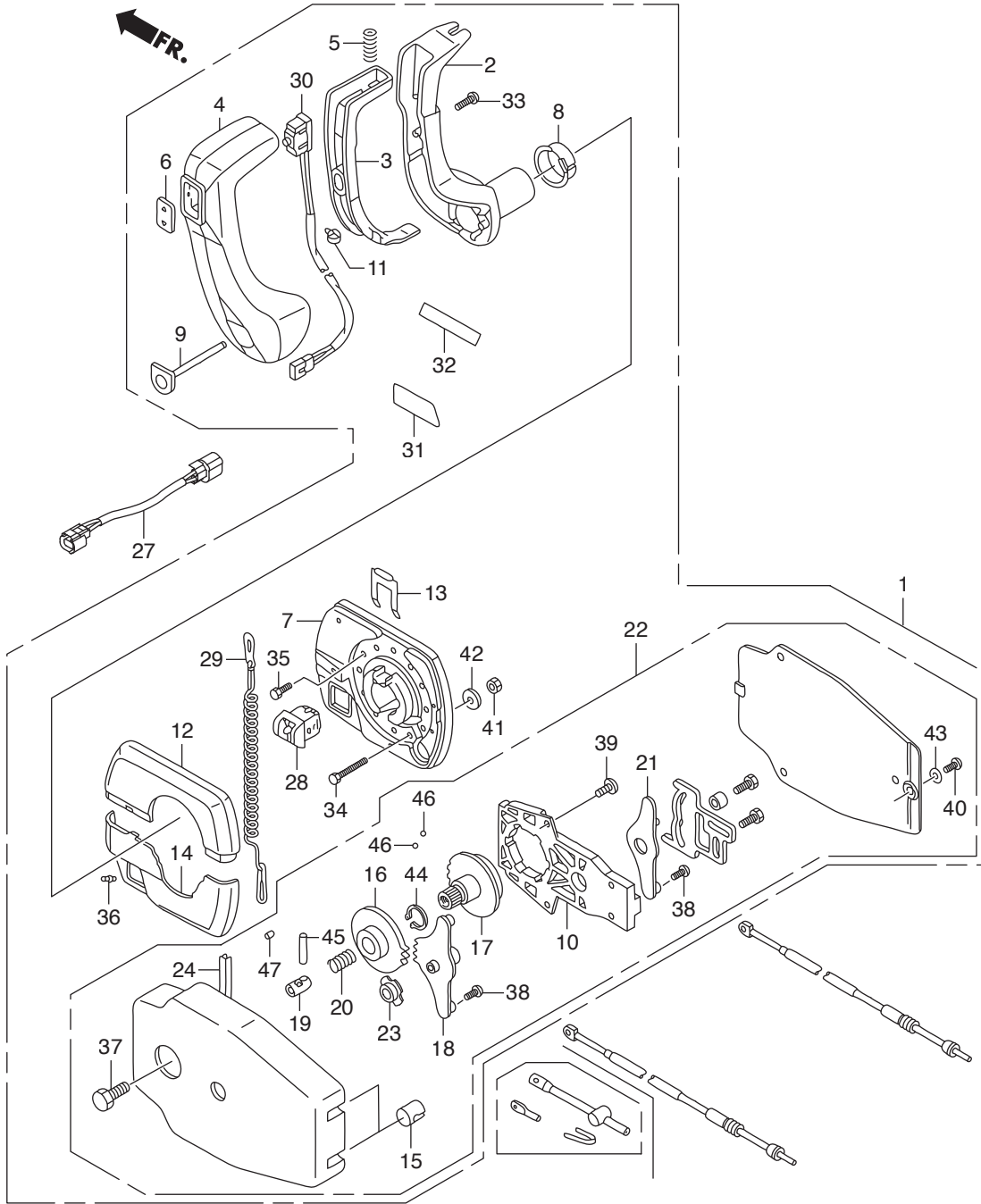
Ref.No.	Part No.	Description	Q' ty		Remarks	
			BFT60A	BFW60A		
F-15	1	HZW1-17736-000	TUBE, CORRUGATE(28MM)	1	1	
F-15	2	HZZ3-24800-R50	BOX ASSY., REMOTE CONTROL(EU)	1	1	LRTU
F-15	3	HZV5-24811-010	HANDLE, REMOTE CONTROL	1	1	
F-15	4	HZV5-24812-000	LEVER, HANDLE LOCK	1	1	
F-15	5	HZV5-24813-000	GRIP, REMOTE CONTROL HANDLE	1	1	
F-15	6	HZV5-24814-010	CAP, HANDLE	1	1	
F-15	7	HZV5-24815-010	BLOCK, NEUTRAL LOCK	1	1	
F-15	8	HZV5-24816-000	SPRING, REMOTE CONTROL HANDLE	1	1	
F-15	9	HZV5-24817-000	PLATE, LEVER SETTING	1	1	
F-15	10	HZV5-24818-003	CLAMP, HARNESS	1	1	
F-15	11	HZV5-24820-010	HOUSING COMP., REMOTE CONTROL	1	1	BOX(A)
F-15	12	HZV5-24830-010	HOUSING COMP., REMOTE CONTROL	1	1	BOX(B)
F-15	13	HZV5-24836-000	HOUSING, REMOTE CONTROL BOX(C)	1	1	
F-15	14	HZV5-24841-000	WHEEL, CONTROL	1	1	
F-15	15	HZV5-24845-000	ARM COMP., SHIFT LINK	1	1	
F-15	16	HZV5-24850-000	PLATE COMP., SLIDING	1	1	
F-15	17	HZV5-24854-000	COLLAR, SLIDING PLATE	1	1	
F-15	18	HZV5-24855-000	PIVOT, SHIFT	2	2	
F-15	19	HZV5-24860-000	ARM COMP., LINK JOINT	1	1	
F-15	20	HZV5-24865-000	BRACKET, LINK JOINT	1	1	
F-15	21	HZV5-24875-000	WHEEL, ACCELERATOR	1	1	
F-15	22	HZV5-24876-000	SPRING, ACCELERATOR WHEEL	1	1	
F-15	23	HZV5-24878-000	LEVER, IDLE	1	1	
F-15	24	HZV5-24881-000	PLATE, SPRING SETTING	2	2	
F-15	25	HZV5-24883-000	SPRING, SHIFT CLICK	1	1	
F-15	26	HZV5-24884-000	SPRING, CHOKE RETURN	1	1	
F-15	27	HZV5-24885-000	SPACER, REMOTE CONTROL BOX	1	1	
F-15	28	HZV5-24887-000	SPACER, CLICK SPRING	1	1	



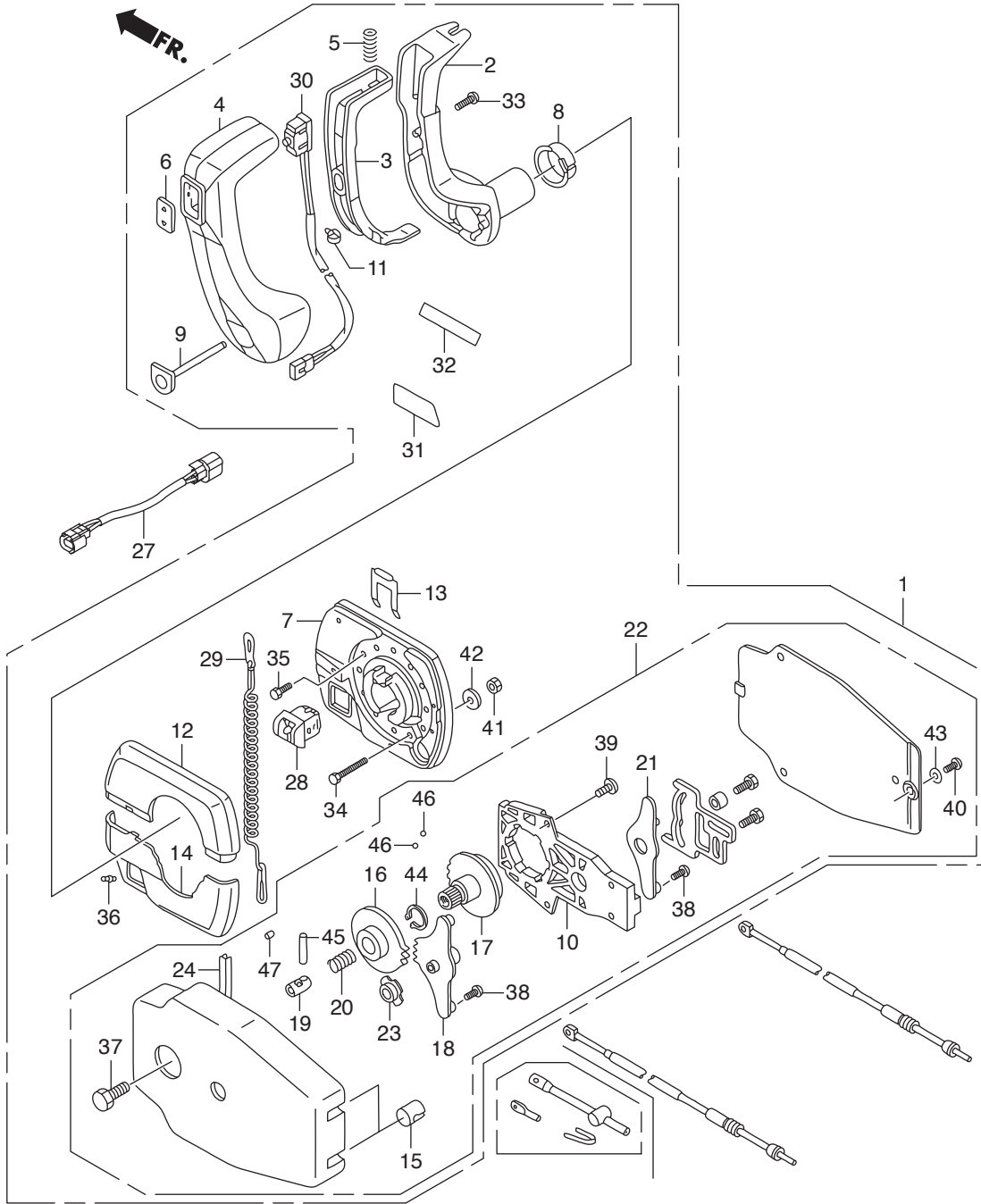
Ref.No.	Part No.	Description	Q'ty		Remarks	
			BFT60A	BFW60A		
F-15	29	HZV5-24891-000	BLOCK, THROTTLE FRICTION	1	1	
F-15	30	HZV5-24892-000	BOLT, FRICTION	1	1	
F-15	31	HZV5-24894-000	SPACER, NEUTRAL SWITCH	1	1	
F-15	32	HZV5-24895-000	CLAMP, POWER TILT CORD	1	1	
F-15	33	HZV5-24897-000	PIPE, HARNESS GUIDE	1	1	
F-15	34	HZV5-24898-000	SPACER, CABLE CLAMP	1	1	
F-15	35	HZZ5-32530-000	CABLE ASSY., REMOTE CONTROL(B)	1	1	
F-15	36	HZV5-32823-003	PLUG, INNER CONNECTOR	7	7	
F-15	37	HZV5-32824-003	PLUG, OUTER CONNECTOR	1	1	
F-15	38	H952-32901-770	TIE, CABLE(NATURAL)(2.4X92)	1	1	
F-15	39	HZZ3-35100-R11	SWITCH ASSY., COMBINATION	1	1	
F-15	40	HZV5-35370-823	SWITCH ASSY., POWER TRIM-TILT	1	1	
F-15	41	HMG9-35701-950	BAND(BLACK 3.5X140)	1	1	
F-15	42	HZV5-36180-033	SWITCH ASSY., EMERGENCY STOP	1	1	
F-15	43	HZV4-36182-651	CORD COMP., EMERGENCY	1	1	
F-15	44	HZV4-36187-652	CLIP, EMERGENCY LOCK	1	1	
F-15	45	HZZ5-37210-013	LAMP ASSY., INDICATION	1	1	
F-15	46	H341-38403-672	PLATE, WINKER BUZZER	1	1	
F-15	47	HZV5-38410-003	BUZZER COMP., WARNING	1	1	
F-15	48	HZZ3-87701-R50	PLATE, REMOTE CONTROL(EU)	1	1	LRTU
F-15		HZZ3-87701-R00	PLATE, REMOTE CONTROL	1		LHTD,LRTD
F-15	49	HZZ5-87701-790	PLATE, REMOTE CONTROL(REVERSE)	1	1	LRTD,LRTU
F-15	50	HZW9-87702-800	MARK, FAST IDLE	1	1	
F-15	51	HZW9-90008-000	BOLT, FLANGE, 8X35	1	1	
F-15	52	HMM4-90105-000	SCREW, PAN, 6X10	1	1	
F-15	53	HZW4-90108-000	SCREW, FLAT, 5X12	2	2	
F-15	54	HZV5-90125-000	SCREW, 6X95	3	3	
F-15	55	H921-90302-000	NUT, HEX., 16MM	1	1	
F-15	56	HZV4-90304-000	NUT, HEX., 6MM	3	3	



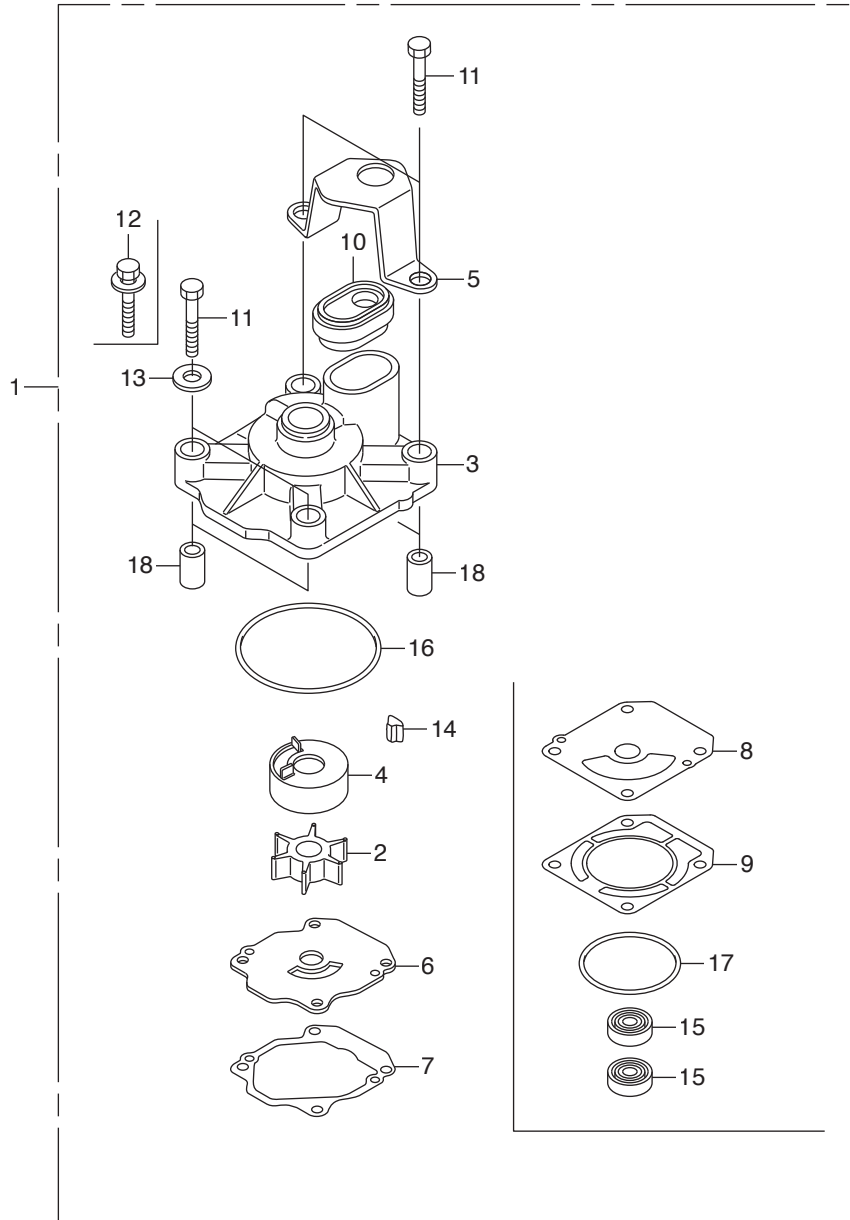
Ref.No.	Part No.	Description	Q' ty		Remarks	
			BFT60A	BFW60A		
F-15	57	HZW4-90401-000	WASHER, PLAIN, 4MM	2	2	
F-15	58	HZW4-90402-000	WASHER, PLAIN, 5MM	2	2	
F-15	59	HZV4-90502-000	WASHER, PLAIN, 5MM	1	1	
F-15	60	H921-90504-010	WASHER, PLAIN, 6MM	5	5	
F-15	61	H921-90512-010	WASHER, 6MM	6	6	
F-15	62	H921-90518-000	WASHER, PLAIN, 8MM	1	1	
F-15	63	HZV5-90557-000	WASHER, 28MM	1	1	
F-15	64	HZV5-90751-000	PIN, LOCK, 6MM	2	2	
F-15	65	HZV5-90772-000	PIN, 6X6	1	1	
F-15	66	HMG9-91058-681	BAND, SELF LOCK	2	2	
F-15	67	HZV5-91151-000	ROLLER, CLICK	1	1	
F-15	68	HSB6-91475-000	CLIP, WIRE HARNESS(6.3MM)	1	1	
F-15	69	HZV5-91567-000	COLLAR, LINK JOINT	2	2	
F-15	70	HZV5-91570-000	COLLAR, DISTANCE, 6X10X43.5	3	3	
F-15	71	HCO-92101-05016-4J	BOLT, HEX., 5X16	1	1	
F-15	72	HCO-93500-05010-4J	SCREW, PAN, 5X10	2	2	
F-15	73	HCO-93901-250J0	SCREW, TAPPING, 5X8	2	2	
F-15	74	HCO-93901-251J0	SCREW, TAPPING, 5X10	3	3	
F-15	75	HCO-93901-252J0	SCREW, TAPPING, 5X12	1	1	
F-15	76	HCO-93903-262J0	SCREW, TAPPING, 6X16	2	2	
F-15	77	HCO-93905-255J0	SCREW, TAPPING, 5X25	7	7	
F-15	78	HCO-94001-06490-0S	NUT, HEX., 6MM	1	1	
F-15	79	HCO-94002-05490-0S	NUT, HEX., 5MM	1	1	
F-15	80	HCO-94540-03029	E-RING, 3MM	1	1	
F-15	81	HCO-94540-04029	E-RING, 4MM	1	1	
F-15	82	HCO-94540-07029	E-RING, 7MM	1	1	



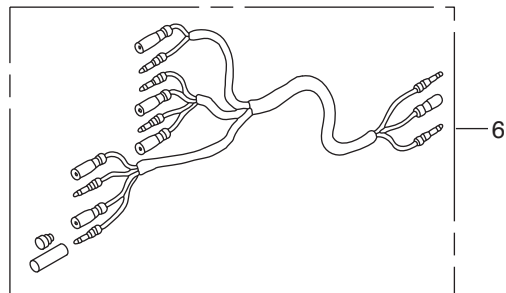
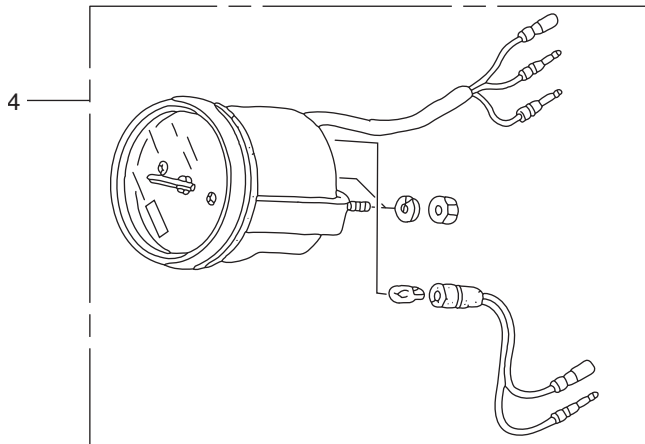
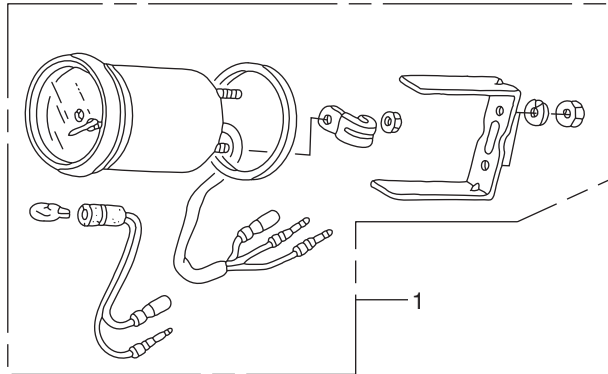
Ref.No.	Part No.	Description	Q'ty		Remarks	
			BFT60A	BFW60A		
F-15-1	1	HZW1-24800-V21	BOX ASSY., REMOTE CONTROL	1	1	(PANEL MOUNT)
F-15-1	2	HZW1-24811-V21	HANDLE, REMOTE CONTROL	1	1	
F-15-1	3	HZW1-24812-V21	LEVER, HANDLE LOCK	1	1	
F-15-1	4	HZW1-24813-V21	GRIP, REMOTE CONTROL HANDLE	1	1	
F-15-1	5	HZW1-24816-V21	SPRING, REMOTE CONTROL HANDLE	1	1	
F-15-1	6	HZW1-24819-V21	COVER, GRIP	1	1	
F-15-1	7	HZW1-24820-V21	HOUSING ASSY., REMOTE CONTROL	1	1	BOX(A)
F-15-1	8	HZW1-24821-003	BUSHING	1	1	
F-15-1	9	HZW1-24822-V21	BUTTON, THROTTLE	1	1	
F-15-1	10	HZW1-24825-V01	FRAME ASSY., REMOTE CONTROL	1	1	BOX
F-15-1	11	HZW1-24829-003	BAND, CABLE(B)	1	1	
F-15-1	12	HZW1-24830-V21	HOUSING, REMOTE CONTROL BOX(B)	1	1	
F-15-1	13	HZW1-24834-003	RETAINER	1	1	
F-15-1	14	HZW1-24836-V21	HOUSING, REMOTE CONTROL BOX(C)	1	1	
F-15-1	15	HZW1-24839-V01	GROMMET	2	2	
F-15-1	16	HZW1-24841-V01	WHEEL, CONTROL	1	1	
F-15-1	17	HZW1-24843-V01	SHAFT, HANDLE	1	1	
F-15-1	18	HZW1-24845-V01	ARM ASSY., SHIFT LINK	1	1	
F-15-1	19	HZW1-24847-V01	SHAFT, GEAR SHIFT	1	1	
F-15-1	20	HZW1-24848-V01	SPRING, GEAR SHIFT	1	1	
F-15-1	21	HZW1-24865-V01	ARM ASSY., THROTTLE LINK	1	1	
F-15-1	22	HZW1-24870-V21	HOUSING ASSY., INNER	1	1	(PANEL MOUNT)
F-15-1	23	HZW1-24873-V01	BUSH	1	1	
F-15-1	24	HZW1-24883-V01	SPRING, SHIFT CLICK	5	5	
F-15-1	27	HZW5-32167-650	HARNES ASSY., POWER TRIM-TILT	1	1	
F-15-1	28	HZW1-35180-003	SWITCH ASSY., EMERGENCY STOP	1	1	
F-15-1	29	HZW1-35182-003	CORD COMP., EMERGENCY	1	1	
F-15-1	30	HZW1-35370-V01	SWITCH ASSY., POWER TRIM-TILT	1	1	(A)
F-15-1	31	HZW1-87705-003	MARK, REMOTE CONTROL(A)(PANEL)	1	1	

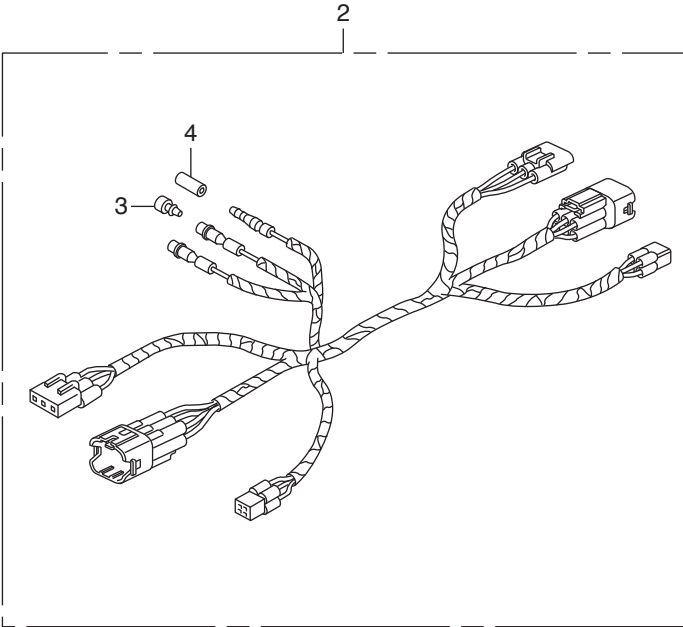
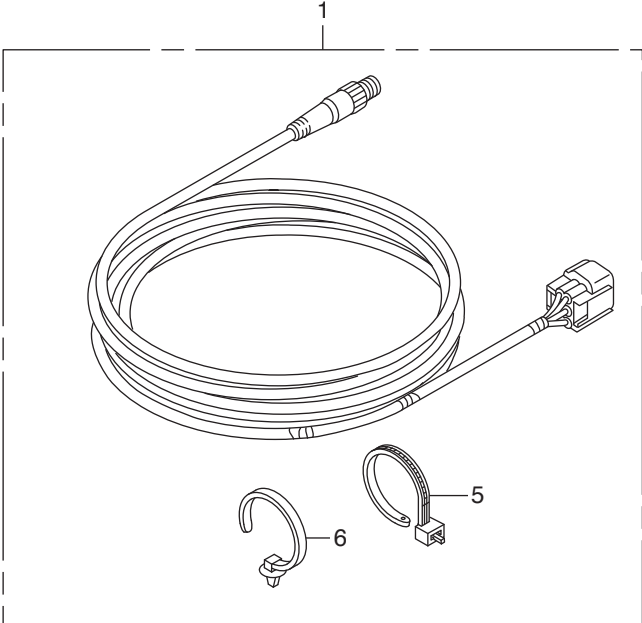


Ref.No.	Part No.	Description	Q' ty		Remarks	
			BFT60A	BFW60A		
F-15-1	32	HZW1-87706-003	MARK, REMOTE CONTROL(B)	1	1	(FOR STARBOARD)
F-15-1		HZW1-87707-003	MARK, REMOTE CONTROL(C)	1	1	(FOR PORT)
F-15-1	33	HZW1-90136-003	SCREW A	1	1	
F-15-1	34	HZW1-90137-003	SCREW B	3	3	
F-15-1	35	HZW1-90138-003	SCREW C	3	3	
F-15-1	36	HZW1-90139-003	SCREW, FRICTION	1	1	
F-15-1	37	HZW1-90140-003	BOLT	1	1	
F-15-1	38	HZW1-90142-003	SCREW(8-32X3/8)	2	2	
F-15-1	39	HZW1-90143-003	SCREW(10-32X3/8)	4	4	
F-15-1	40	HZW1-90145-003	SCREW(10-32X5/8)	3	3	
F-15-1	41	HZW1-90314-003	NUT(1/4X20)	3	3	
F-15-1	42	HZW1-90551-003	WASHER	3	3	
F-15-1	43	HZW1-90552-003	WASHER	1	1	
F-15-1	44	HZW1-90653-003	CIRCLIP, EXTERNAL	1	1	
F-15-1	45	HZW1-90753-003	PIN, GEARSHIFT	1	1	
F-15-1	46	HZW1-90953-003	BALL, STEEL	2	2	
F-15-1	47	HZW1-91553-003	ROLLER, SHIFT CLICK	1	1	

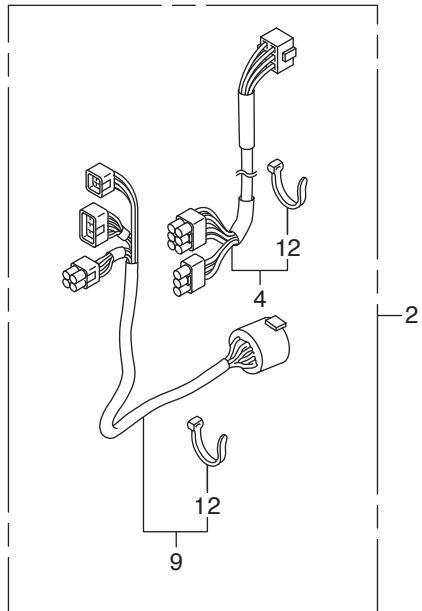
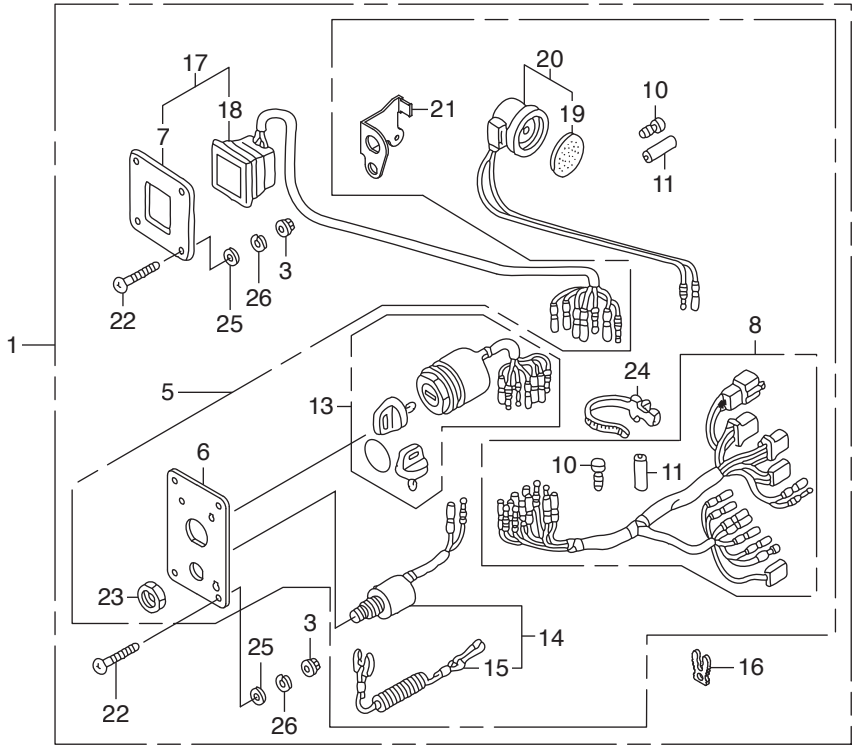


Ref.No.	Part No.	Description	Q' ty		Remarks
			BFT60A	BFW60A	
FOP-1	1	HZZ3-06193-010	PUMP KIT, IMPELLER	1	
FOP-1		HZZ3-06194-000	PUMP KIT, IMPELLER		1 (POWER THRUST)
FOP-1	2	HZV5-19210-003	IMPELLER, PUMP	1	1
FOP-1	3	HZZ3-19221-000	HOUSING, IMPELLER	1	1
FOP-1	4	HZZ3-19223-000	LINER, PUMP	1	1
FOP-1	5	HZZ3-19228-000	HOLDER, WATER TUBE SEAL	1	1
FOP-1	6	HZZ3-19231-000	COVER, IMPELLER	1	1
FOP-1	7	HZZ3-19234-000	GASKET, IMPELLER	1	
FOP-1	8	HZZ3-19234-E00	GASKET B, IMPELLER		1 (POWER THRUST)
FOP-1	9	HZW1-19242-B00	GASKET, WATER PUMP		1
FOP-1	10	HZZ3-19253-000	RUBBER, WATER TUBE SEAL	1	1
FOP-1	11	H881-90116-000	BOLT, HEX., 8X40	2	
FOP-1		HZV5-90010-000	BOLT, HEX., 8X55		4
FOP-1	12	HZY6-90116-000	BOLT-WASHER, 8X40	2	
FOP-1	13	H921-90514-000	WASHER, 8MM		2
FOP-1	14	HZV5-90752-003	KEY, WOODRUFF	1	1
FOP-1	15	HZZ3-91253-003	SEAL, WATER, 23X36X6		2
FOP-1	16	HZZ3-91356-000	O-RING, WATER PUMP	1	1
FOP-1	17	HMB0-91359-000	O-RING, 58.5X3.5		1
FOP-1	18	HZY6-91552-000	COLLAR, DISTANCE	4	4

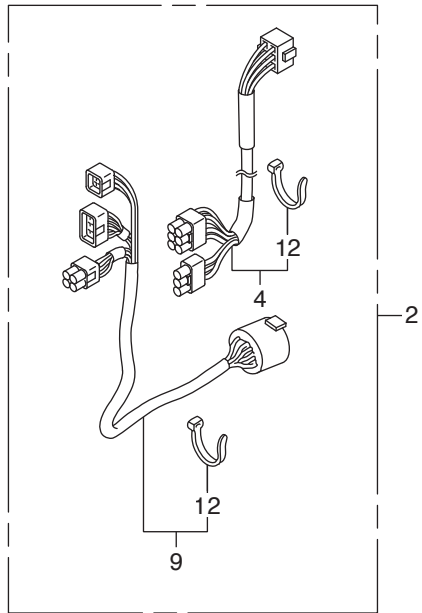
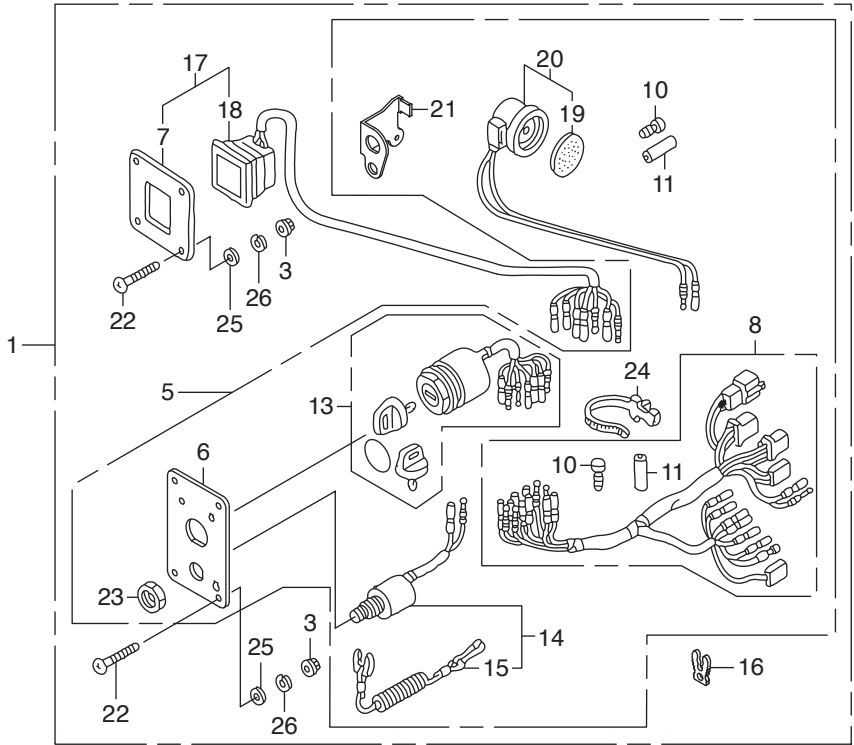


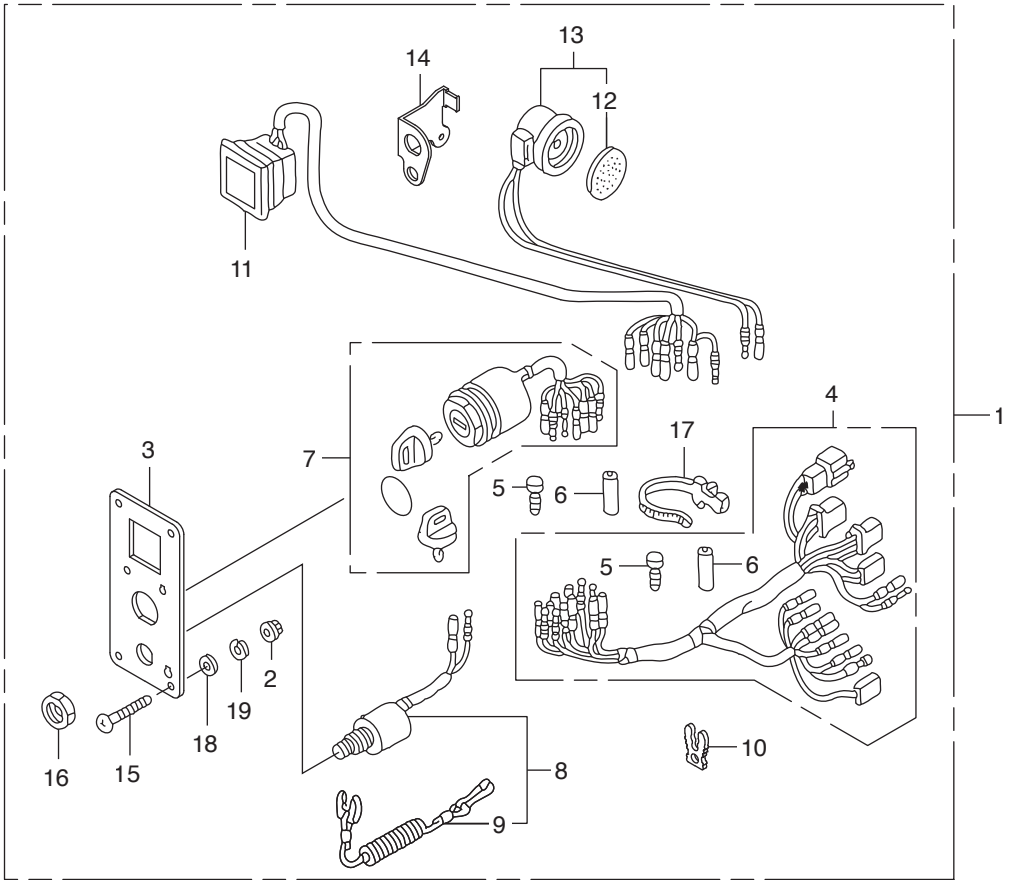


Ref.No.	Part No.	Description	Q'ty		Remarks	
			BFT60A	BFW60A		
FOP-2-4	1	HZZ3-06328-762	KIT, CABLE(NMEA)(6FT)	1	1	
FOP-2-4	2	HZZ3-32186-000	HARNES ASSY., REMOTE CONTROL	1	1	SUB
FOP-2-4	3	HZV5-32823-003	PLUG, INNER CONNECTOR	2	2	
FOP-2-4	4	HZV5-32824-003	PLUG, OUTER CONNECTOR	1	1	
FOP-2-4	5	HZY1-90650-003	TIE, CABLE	2	2	
FOP-2-4	6	HSTK-91540-003	CLIP, HARNESS BAND(BLACK)	2	2	(155.3MM)

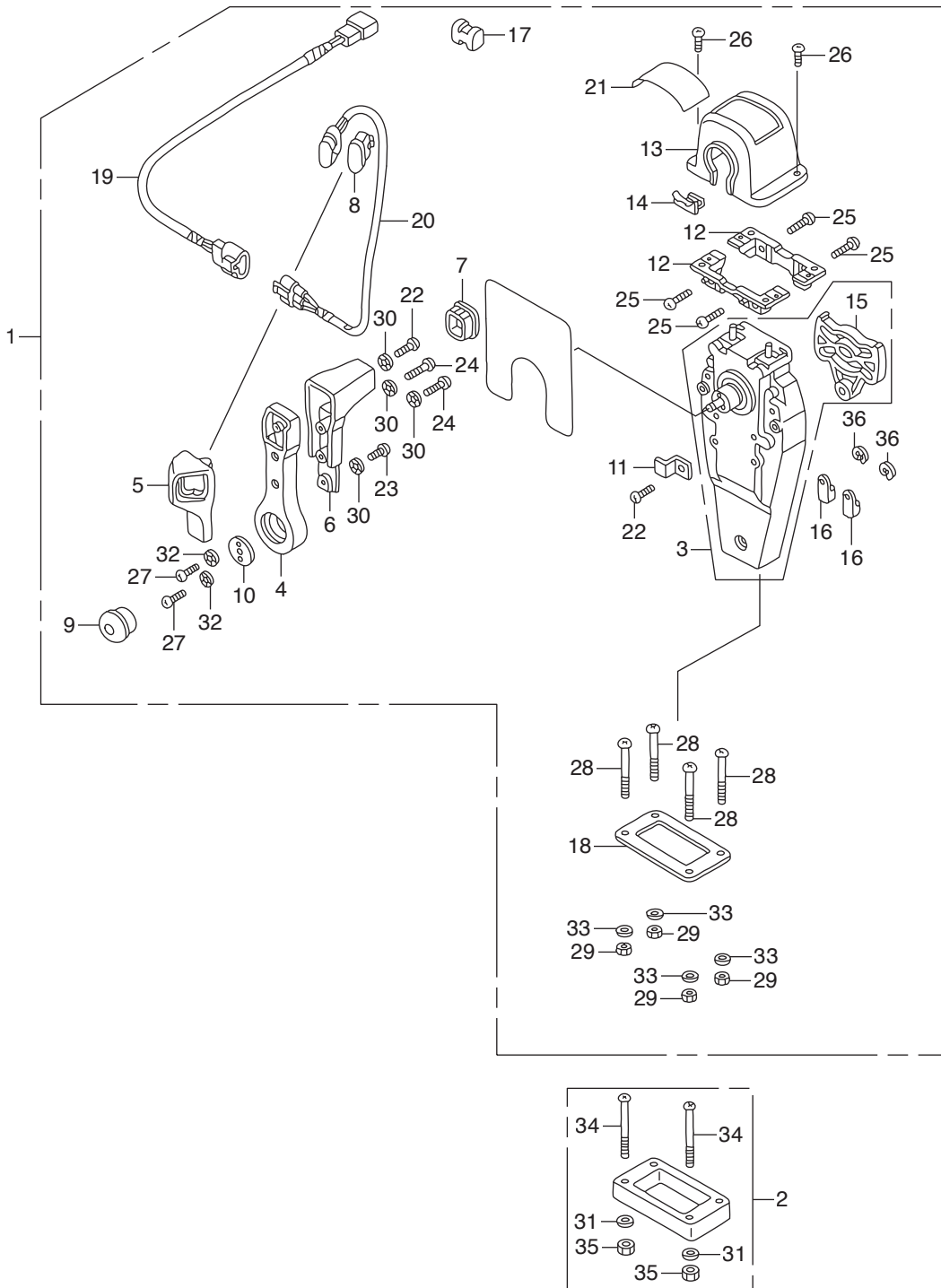


Ref.No.	Part No.	Description	Q'ty		Remarks	
			BFT60A	BFW60A		
FOP-3	1	HZZ3-06323-R00	PANEL KIT, SWITCH(B)(4-LED) (EU)	1	1	LRTU
FOP-3		HZZ3-06323-R20	PANEL KIT, SWITCH(4-LED)	1		LHTD,LRTD
FOP-3	2	HZZ5-06325-600	CABLE SET, PANEL INDICATOR	1	1	(20FT) LRTD,LRTU
FOP-3		HZZ5-06325-700	CABLE SET, PANEL INDICATOR	1	1	(25FT) LRTD,LRTU
FOP-3		HZZ5-06325-800	CABLE SET, PANEL INDICATOR	1	1	(30FT) LRTD,LRTU
FOP-3	3	HMT8-18334-770	NUT, FLANGE, 5MM	8	8	
FOP-3	4	HZZ5-32185-600	CORD ASSY., INDICATOR(20FT)	1	1	LRTD,LRTU
FOP-3		HZZ5-32185-700	CORD ASSY., INDICATOR(25FT)	1	1	LRTD,LRTU
FOP-3		HZZ5-32185-800	CORD ASSY., INDICATOR(30FT)	1	1	LRTD,LRTU
FOP-3	5	HZZ3-32341-R01	PANEL ASSY., SWITCH	1	1	LRTU
FOP-3		HZZ3-32341-R31	PANEL ASSY., SWITCH	1		LHTD,LRTD
FOP-3	6	HZZ3-32346-R01	PANEL, CONTROL	1	1	LRTU
FOP-3		HZZ3-32346-R21	PANEL, CONTROL	1		LHTD,LRTD
FOP-3	7	HZZ3-32347-R01	PANEL, CONTROL	1	1	
FOP-3	8	HZZ5-32545-000	HARNESS ASSY., SWITCH PANEL	1	1	
FOP-3	9	HZZ5-32580-600	CABLE ASSY., SWITCH PANEL	1	1	(20FT) LRTD,LRTU
FOP-3		HZZ5-32580-700	CABLE ASSY., SWITCH PANEL	1	1	(25FT) LRTD,LRTU
FOP-3		HZZ5-32580-800	CABLE ASSY., SWITCH PANEL	1	1	(30FT) LRTD,LRTU
FOP-3	10	HZV5-32823-003	PLUG, INNER CONNECTOR	8	8	
FOP-3	11	HZV5-32824-003	PLUG, OUTER CONNECTOR	3	3	
FOP-3	12	H952-32901-770	TIE, CABLE(NATURAL)(2.4X92)	6	6	LRTD,LRTU
FOP-3	13	HZZ3-35100-R11	SWITCH ASSY., COMBINATION	1	1	
FOP-3	14	HZV5-36180-033	SWITCH ASSY., EMERGENCY STOP	1	1	
FOP-3	15	HZV4-36182-651	CORD COMP., EMERGENCY	1	1	
FOP-3	16	HZV4-36187-652	CLIP, EMERGENCY LOCK	1	1	
FOP-3	17	HZZ3-37205-R01	PANEL ASSY., INDICATOR(4-LED)	1	1	
FOP-3	18	HZZ5-37210-762	LAMP ASSY., INDICATION(4-LED)	1	1	
FOP-3	19	H341-38403-672	PLATE, WINKER BUZZER	1	1	
FOP-3	20	HZV5-38410-003	BUZZER COMP., WARNING	1	1	

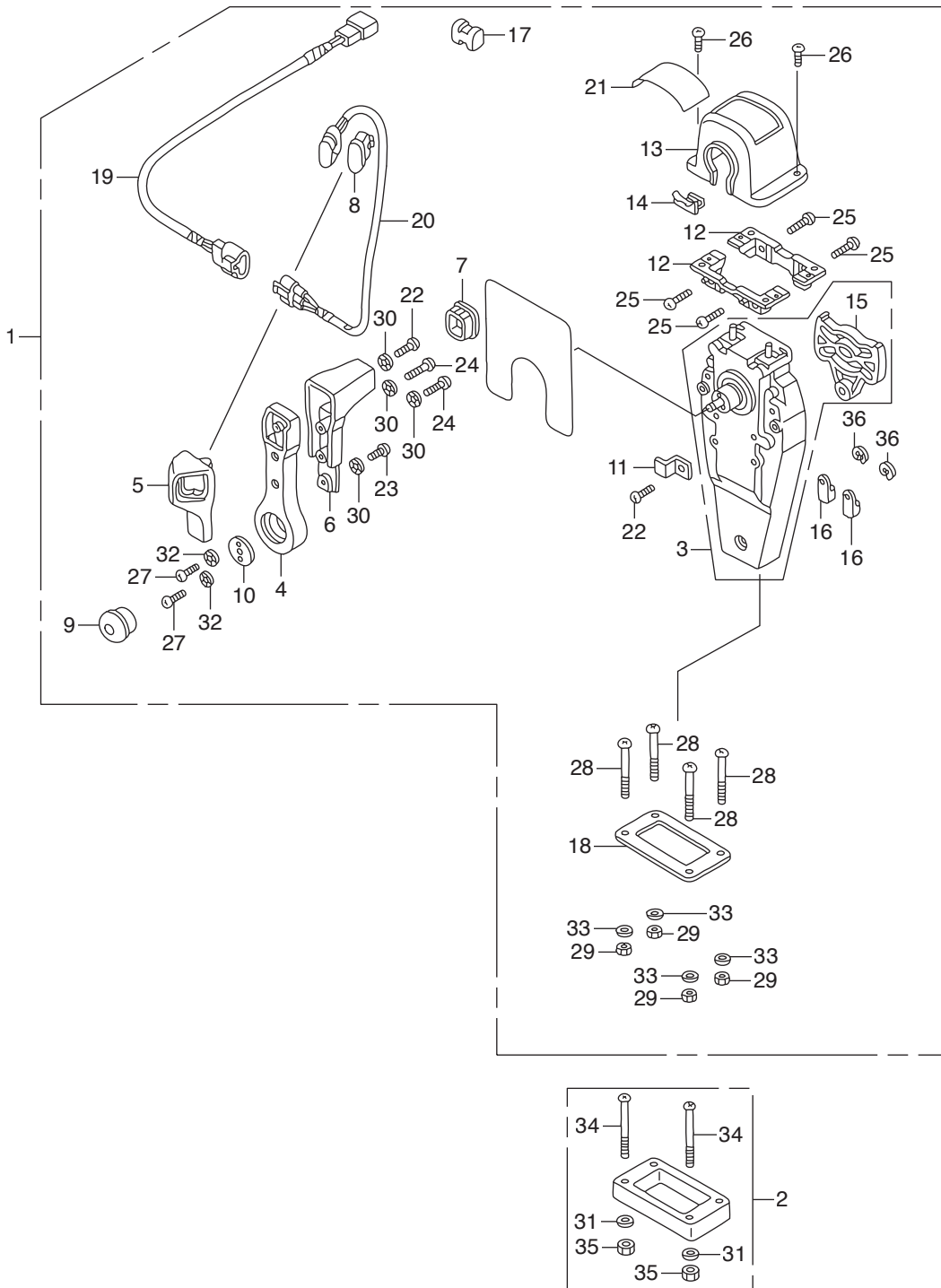




Ref.No.	Part No.	Description	Q'ty		Remarks	
			BFT60A	BFW60A		
FOP-3-1	1	HZZ3-06323-R10	PANEL KIT, SWITCH(4-LED)	1	1	LRTU
FOP-3-1		HZZ3-06323-R30	PANEL KIT, SWITCH(4-LED)	1		LHTD,LRTD
FOP-3-1	2	HMT8-18334-770	NUT, FLANGE, 5MM	4	4	
FOP-3-1	3	HZZ3-32346-R11	PANEL, CONTROL	1	1	LRTU
FOP-3-1		HZZ3-32346-R31	PANEL, CONTROL	1		LHTD,LRTD
FOP-3-1	4	HZZ5-32545-000	HARNESS ASSY., SWITCH PANEL	1	1	
FOP-3-1	5	HZV5-32823-003	PLUG, INNER CONNECTOR	8	8	
FOP-3-1	6	HZV5-32824-003	PLUG, OUTER CONNECTOR	3	3	
FOP-3-1	7	HZZ3-35100-R11	SWITCH ASSY., COMBINATION	1	1	
FOP-3-1	8	HZV5-36180-033	SWITCH ASSY., EMERGENCY STOP	1	1	
FOP-3-1	9	HZV4-36182-651	CORD COMP., EMERGENCY	1	1	
FOP-3-1	10	HZV4-36187-652	CLIP, EMERGENCY LOCK	1	1	
FOP-3-1	11	HZZ5-37210-712	LAMP ASSY., INDICATION(4-LED)	1	1	
FOP-3-1	12	H341-38403-672	PLATE, WINKER BUZZER	1	1	
FOP-3-1	13	HZV5-38410-003	BUZZER COMP., WARNING	1	1	
FOP-3-1	14	HZZ5-38414-003	BRACKET, BUZZER	1	1	
FOP-3-1	15	HZW5-90109-000	SCREW, PAN, 5X40	4	4	
FOP-3-1	16	H921-90302-000	NUT, HEX., 16MM	1	1	
FOP-3-1	17	HSC2-90649-003	BAND, WIRE HARNESS(NATURAL)	1	1	(150MM)
FOP-3-1	18	HCO-94103-05400	WASHER, PLAIN, 5MM	4	4	
FOP-3-1	19	HCO-94111-05400	WASHER, SPRING, 5MM	4	4	

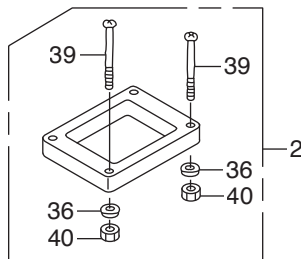
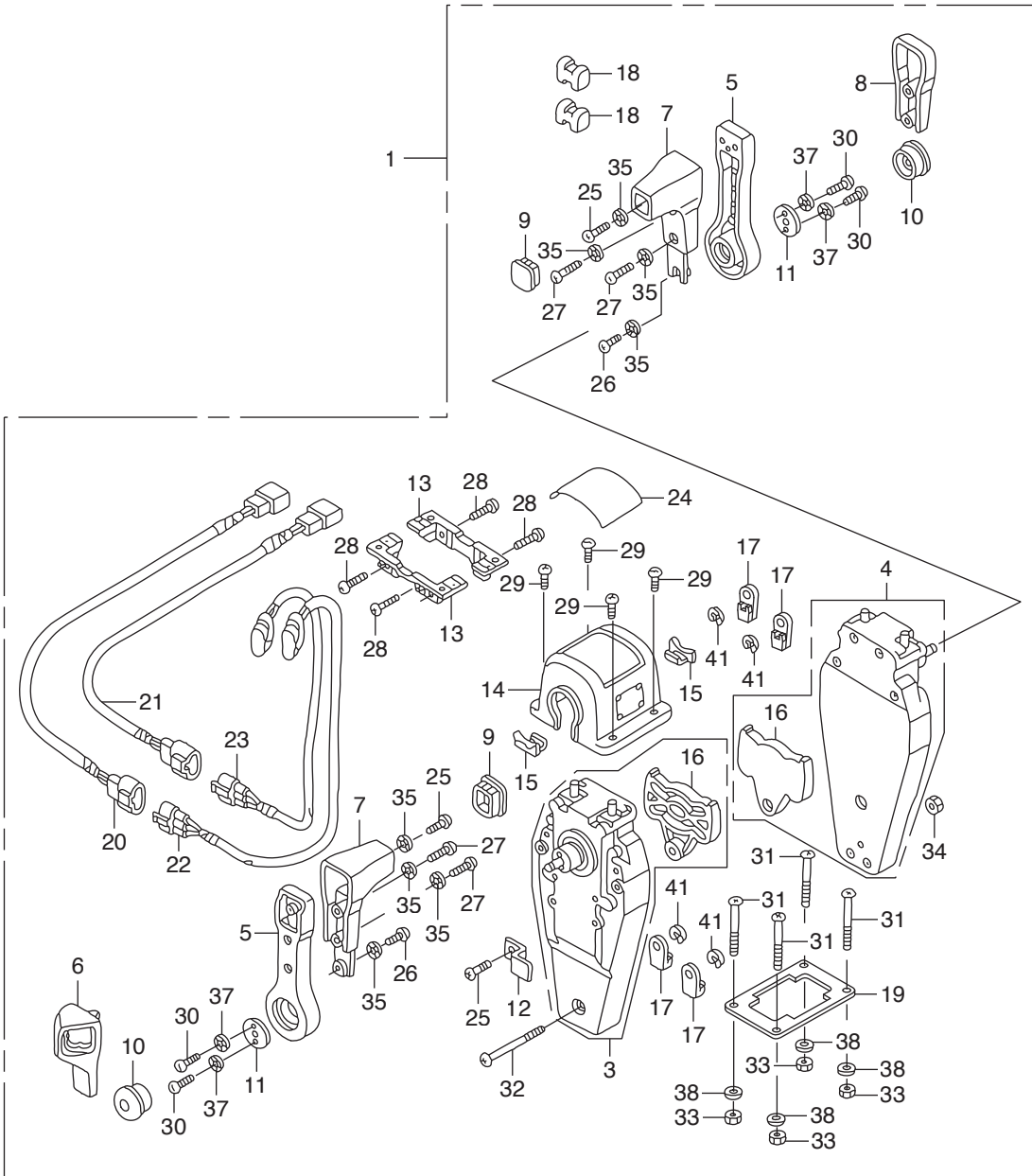


Ref.No.	Part No.	Description	Q'ty		Remarks	
			BFT60A	BFW60A		
FOP-4	1	HZZ3-06240-R30	BOX KIT, REMOTE CONTROL	1	1	(TOP MOUNT SINGLE)(R.)
FOP-4	2	HZW5-06241-U00	SPACER KIT, REMOTE CONTROL BOX	1	1	(TOP MOUNT SINGLE)
FOP-4	3	HZW5-24810-U01	HOUSING ASSY., L. INNER	1	1	(TOP MOUNT)
FOP-4	4	HZW5-24811-U01	HANDLE, REMOTE CONTROL	1	1	
FOP-4	5	HZW5-24812-U01	COVER, L. GRIP	1	1	
FOP-4	6	HZW5-24813-U01	GRIP, REMOTE CONTROL HANDLE	1	1	
FOP-4	7	HZW5-24814-U01	CAP, GRIP	1	1	
FOP-4	8	HZW5-24815-U01	CAP, SWITCH	1	1	
FOP-4	9	HZW5-24816-U01	BUTTON, THROTTLE	1	1	
FOP-4	10	HZW5-24817-U01	PLATE, HANDLE	1	1	
FOP-4	11	HZW5-24818-U01	PLATE, CABLE CLAMP	1	1	
FOP-4	12	HZW5-24819-U01	BRACKET, REMOTE CONTROL	2	2	HOUSING
FOP-4	13	HZZ3-24820-R11	HOUSING COMP., REMOTE CONTROL	1	1	BOX
FOP-4	14	HZW5-24825-U01	HOUSING, LEAD	1	1	
FOP-4	15	HZW5-24826-U01	PLATE, DWELL	1	1	
FOP-4	16	HZW5-24831-U01	TERMINAL, CABLE	2	2	
FOP-4	17	HZW5-24832-U01	SPACER, CABLE CLAMP	1	1	
FOP-4	18	HZW5-24834-U01	PACKING, SINGLE	1	1	
FOP-4	19	HZW7-32530-U00	SUB HARNESS ASSY., POWER	1	1	TRIM-TILT(A)
FOP-4	20	HZW5-35370-U02	SWITCH ASSY., POWER TRIM-TILT	1	1	(A)
FOP-4	21	HZZ3-87703-R81	MARK, REMOTE CONTROL(SINGLE)	1	1	
FOP-4	22	HZW5-90101-U00	SCREW, PAN, 5X16	2	2	
FOP-4	23	HZW5-90102-U00	SCREW, PAN, 5X10	1	1	
FOP-4	24	HZW5-90103-U01	SCREW, PAN, 5X20	2	2	
FOP-4	25	HZW5-90104-U00	SCREW, PAN, 5X18	4	4	
FOP-4	26	HZW5-90105-U01	SCREW, PAN, 4X10	2	2	
FOP-4	27	HZW5-90106-U00	SCREW, PAN, 6X18	2	2	
FOP-4	28	HZW5-90107-U00	SCREW, PAN, 5X40	4	4	
FOP-4	29	HZW5-90301-U00	NUT, HEX., 5MM	4	4	



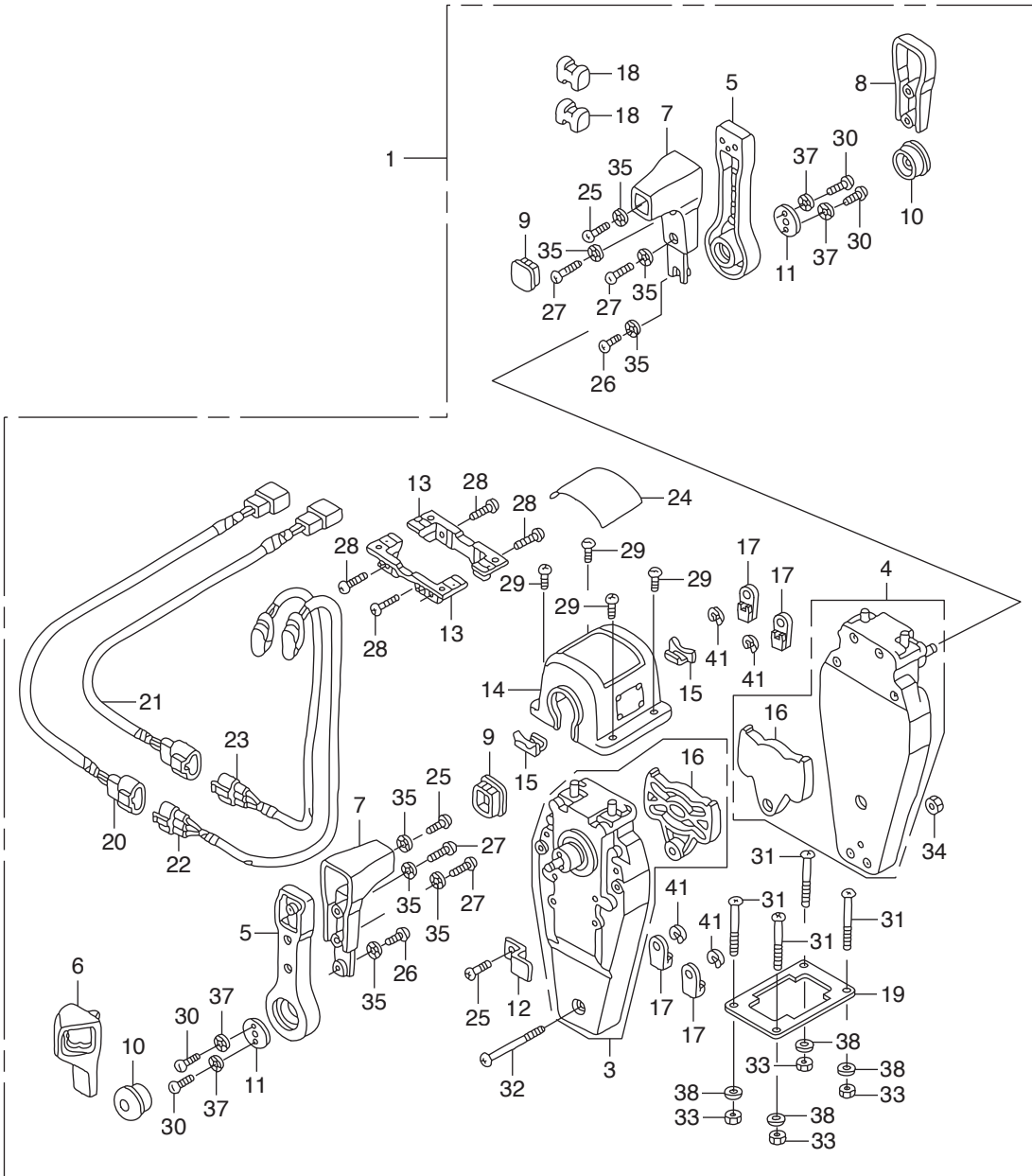
Ref.No.	Part No.	Description	Q'ty		Remarks	
			BFT60A	BFW60A		
FOP-4	30	HZW5-90501-U00	WASHER, LOCK, 5MM	4	4	
FOP-4	31	HZV4-90502-000	WASHER, PLAIN, 5MM	4	4	
FOP-4	32	HZW5-90502-U00	WASHER, LOCK, 6MM	2	2	
FOP-4	33	HZW5-90503-U00	WASHER, PLAIN, 5MM	4	4	
FOP-4	34	HCO-93500-05065-4J	SCREW, PAN, 5X65	4	4	
FOP-4	35	HCO-94001-05490-0S	NUT, HEX., 5MM	4	4	
FOP-4	36	HCO-94540-06029	E-RING, 6MM	2	2	

REMOTE CONTROL BOX
(TOP MOUNT DUAL TYPE) (RIGHT)

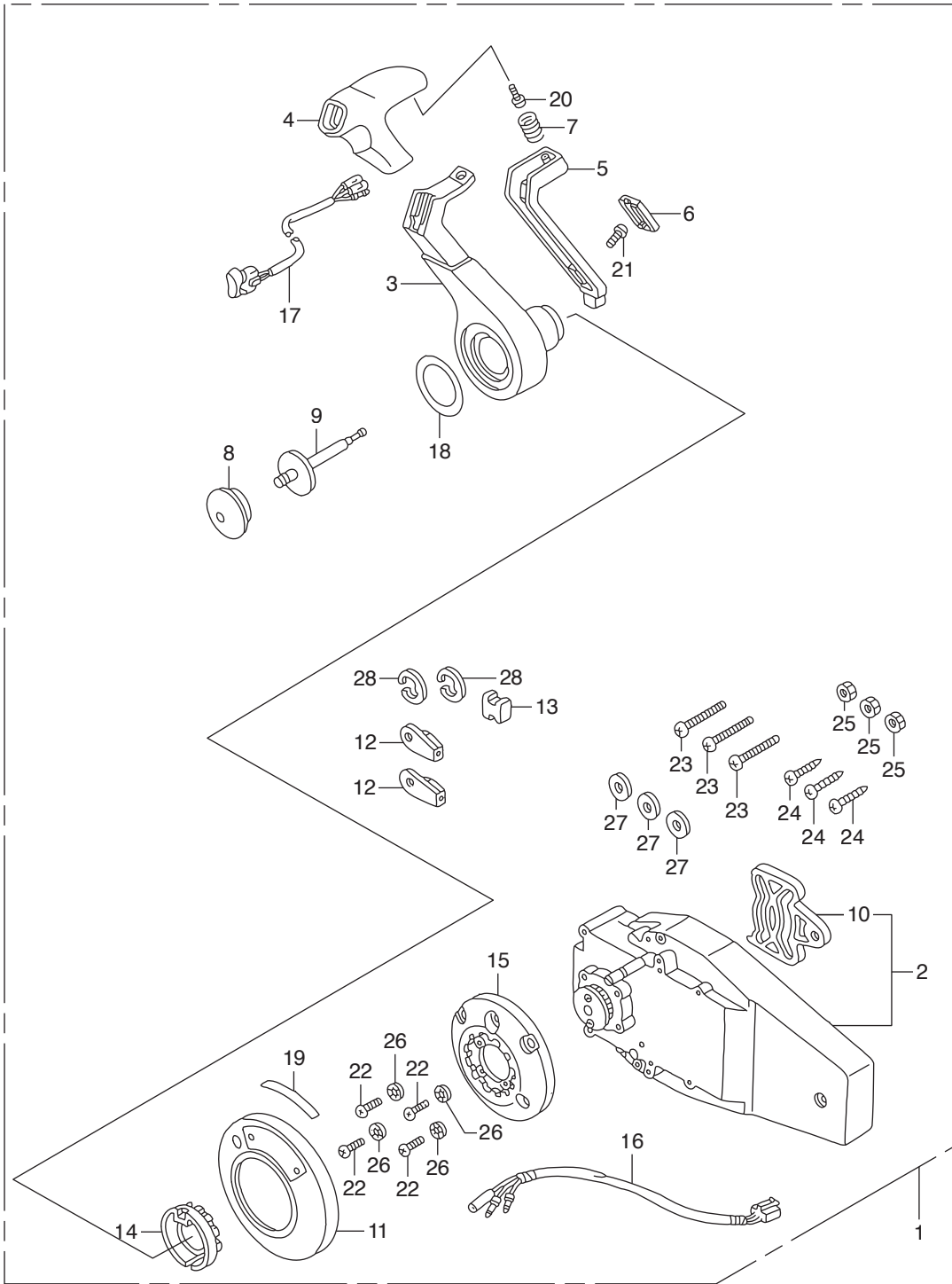


Ref.No.	Part No.	Description	Q' ty		Remarks	
			BFT60A	BFW60A		
FOP-4-2	1	HZZ3-06240-R60	BOX KIT, REMOTE CONTROL	1	1	(TOP MOUNT DUAL)(R.)
FOP-4-2	2	HZW5-06241-U10	SPACER KIT, REMOTE CONTROL BOX	1	1	(TOP MOUNT DUAL)
FOP-4-2	3	HZW5-24810-U01	HOUSING ASSY., L. INNER	1	1	(TOP MOUNT)
FOP-4-2	4	HZW5-24810-U11	HOUSING ASSY., R. INNER	1	1	(TOP MOUNT)
FOP-4-2	5	HZW5-24811-U01	HANDLE, REMOTE CONTROL	2	2	
FOP-4-2	6	HZW5-24812-U01	COVER, L. GRIP	1	1	
FOP-4-2	7	HZW5-24813-U01	GRIP, REMOTE CONTROL HANDLE	2	2	
FOP-4-2	8	HZW5-24813-U21	COVER, DUAL GRIP	1	1	
FOP-4-2	9	HZW5-24814-U01	CAP, GRIP	2	2	
FOP-4-2	10	HZW5-24816-U01	BUTTON, THROTTLE	2	2	
FOP-4-2	11	HZW5-24817-U01	PLATE, HANDLE	2	2	
FOP-4-2	12	HZW5-24818-U01	PLATE, CABLE CLAMP	1	1	
FOP-4-2	13	HZW5-24819-U01	BRACKET, REMOTE CONTROL	2	2	HOUSING
FOP-4-2	14	HZZ3-24820-R21	HOUSING COMP., REMOTE CONTROL	1	1	BOX(DUAL)
FOP-4-2	15	HZW5-24825-U01	HOUSING, LEAD	2	2	
FOP-4-2	16	HZW5-24826-U01	PLATE, DWELL	2	2	
FOP-4-2	17	HZW5-24831-U01	TERMINAL, CABLE	4	4	
FOP-4-2	18	HZW5-24832-U01	SPACER, CABLE CLAMP	2	2	
FOP-4-2	19	HZW5-24834-U21	PACKING, DUAL	1	1	
FOP-4-2	20	HZW7-32530-U00	SUB HARNESS ASSY., POWER	1	1	TRIM-TILT(A)
FOP-4-2	21	HZW7-32530-U10	SUB HARNESS ASSY., POWER	1	1	TRIM-TILT(B)
FOP-4-2	22	HZW5-35370-U02	SWITCH ASSY., POWER TRIM-TILT	1	1	(A)
FOP-4-2	23	HZW5-35370-U12	SWITCH ASSY., POWER TRIM-TILT	1	1	(B)
FOP-4-2	24	HZZ3-87703-R01	MARK, REMOTE CONTROL(DUAL)	1	1	
FOP-4-2	25	HZW5-90101-U00	SCREW, PAN, 5X16	3	3	
FOP-4-2	26	HZW5-90102-U00	SCREW, PAN, 5X10	2	2	
FOP-4-2	27	HZW5-90103-U01	SCREW, PAN, 5X20	4	4	
FOP-4-2	28	HZW5-90104-U00	SCREW, PAN, 5X18	4	4	
FOP-4-2	29	HZW5-90105-U01	SCREW, PAN, 4X10	4	4	

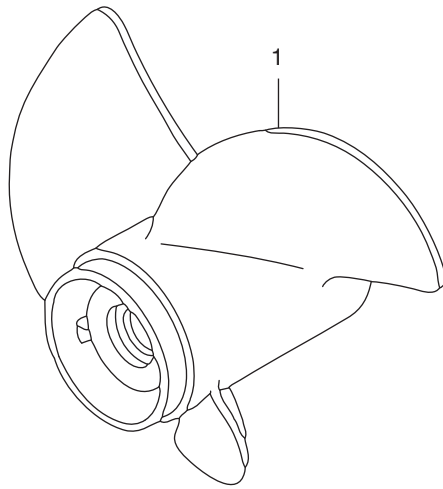
REMOTE CONTROL BOX
(TOP MOUNT DUAL TYPE) (RIGHT)



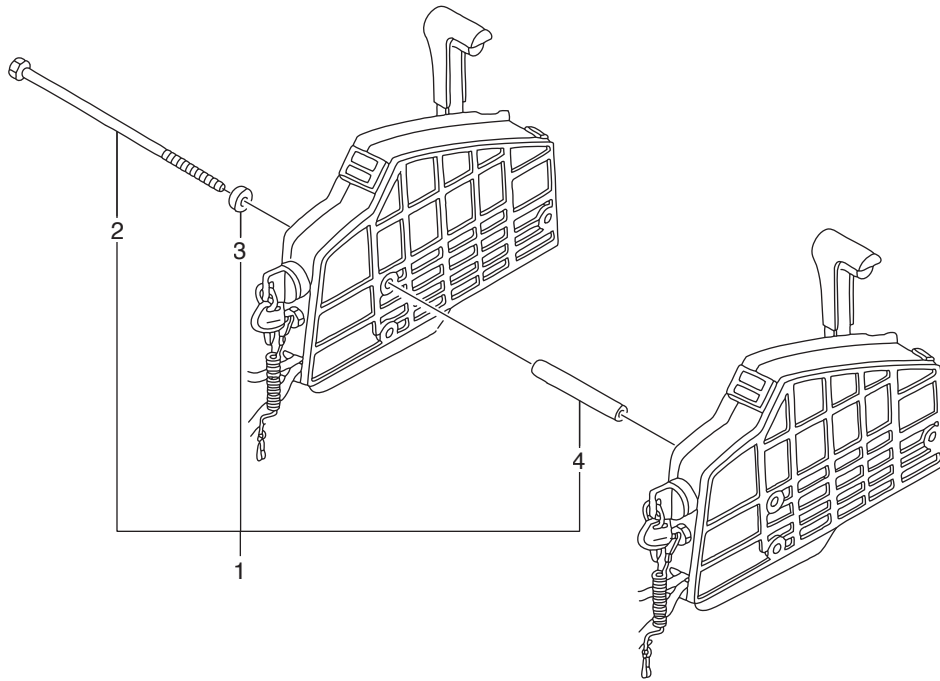
Ref.No.	Part No.	Description	Q' ty		Remarks	
			BFT60A	BFW60A		
FOP-4-2	30	HZW5-90106-U00	SCREW, PAN, 6X18	4	4	
FOP-4-2	31	HZW5-90107-U00	SCREW, PAN, 5X40	4	4	
FOP-4-2	32	HZW5-90108-U00	SCREW, PAN, 5X55	3	3	
FOP-4-2	33	HZW5-90301-U00	NUT, HEX., 5MM	4	4	
FOP-4-2	34	HZW5-90302-U21	NUT, HEX., 5MM	1	1	
FOP-4-2	35	HZW5-90501-U00	WASHER, LOCK, 5MM	8	8	
FOP-4-2	36	HZV4-90502-000	WASHER, PLAIN, 5MM	4	4	
FOP-4-2	37	HZW5-90502-U00	WASHER, LOCK, 6MM	4	4	
FOP-4-2	38	HZW5-90503-U00	WASHER, PLAIN, 5MM	4	4	
FOP-4-2	39	HCO-93500-05065-4J	SCREW, PAN, 5X65	4	4	
FOP-4-2	40	HCO-94001-05490-0S	NUT, HEX., 5MM	4	4	
FOP-4-2	41	HCO-94540-06029	E-RING, 6MM	4	4	



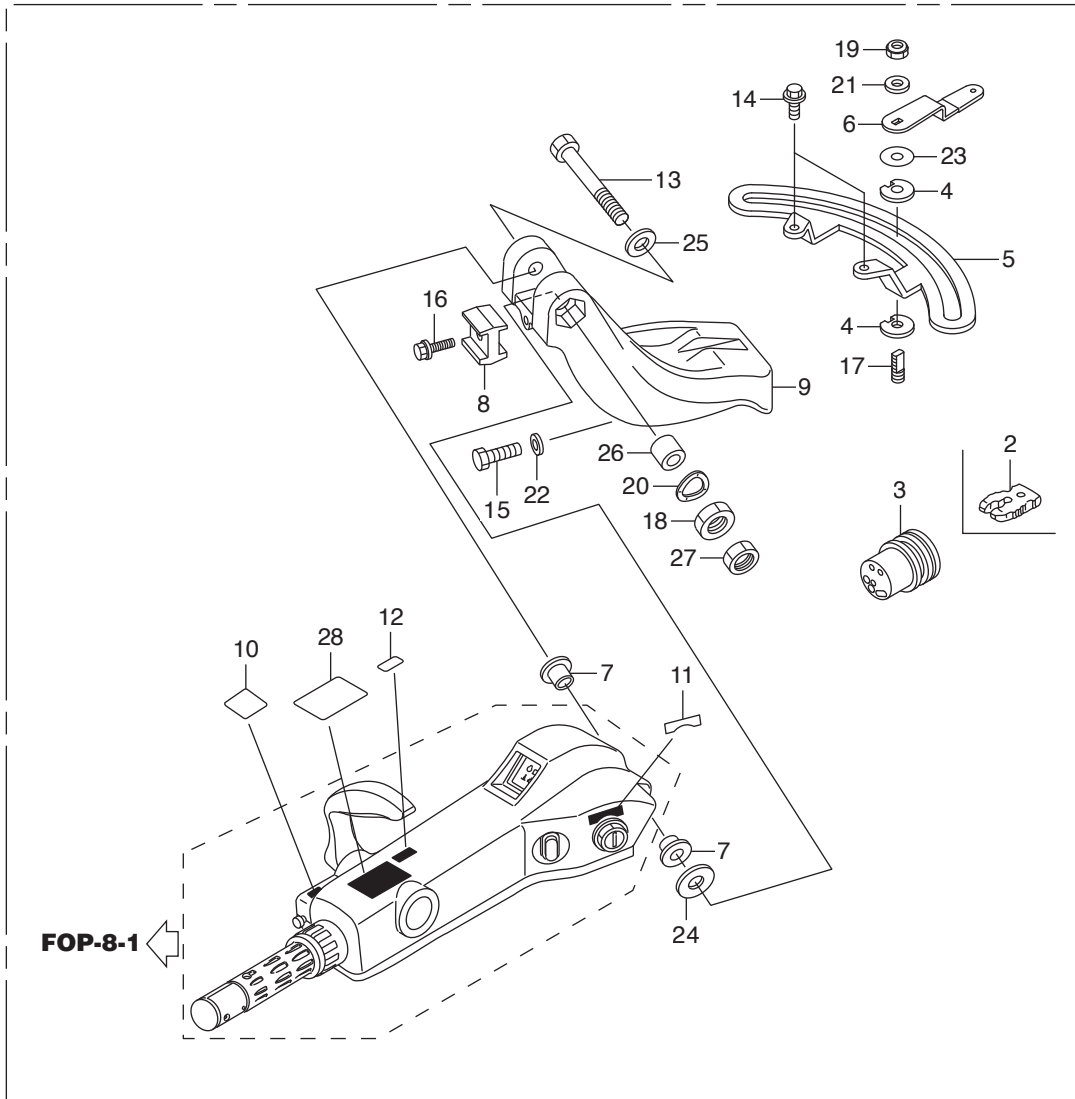
Ref.No.	Part No.	Description	Q' ty		Remarks	
			BFT60A	BFW60A		
FOP-4-4	1	HZZ3-06240-R40	BOX KIT, REMOTE CONTROL	1	1	(FLUSH MOUNT)(R.)
FOP-4-4	2	HZW7-24810-U01	HOUSING ASSY., R. INNER	1	1	(FLUSH MOUNT)
FOP-4-4	3	HZW7-24811-U01	HANDLE, REMOTE CONTROL	1	1	
FOP-4-4	4	HZW7-24812-U01	COVER, GRIP	1	1	
FOP-4-4	5	HZW7-24813-U01	ARM, NEUTRAL LOCK	1	1	
FOP-4-4	6	HZW7-24814-U01	COVER, LOCK ARM	1	1	
FOP-4-4	7	HZW7-24815-U01	SPRING, NEUTRAL LOCK ARM	1	1	
FOP-4-4	8	HZW5-24816-U01	BUTTON, THROTTLE	1	1	
FOP-4-4	9	HZW7-24817-U01	SHAFT, THROTTLE BUTTON	1	1	
FOP-4-4	10	HZW5-24826-U01	PLATE, DWELL	1	1	
FOP-4-4	11	HZZ3-24830-R41	COVER ASSY.	1	1	
FOP-4-4	12	HZW5-24831-U01	TERMINAL, CABLE	2	2	
FOP-4-4	13	HZW5-24832-U01	SPACER, CABLE CLAMP	1	1	
FOP-4-4	14	HZW7-24832-U01	HOLDER, NEUTRAL LOCK	1	1	
FOP-4-4	15	HZW7-24833-U01	BASE	1	1	
FOP-4-4	16	HZW7-32530-U20	SUB HARNESS ASSY., POWER	1	1	TRIM-TILT(C)
FOP-4-4	17	HZW7-35370-U02	SWITCH ASSY., POWER TRIM-TILT	1	1	(C)
FOP-4-4	18	HZZ3-87701-R40	MARK, HANDLE FLUSH MOUNT	1	1	
FOP-4-4	19	HZW7-87703-U00	MARK, FLUSH MOUNT	1	1	
FOP-4-4	20	HZW5-90101-U00	SCREW, PAN, 5X16	1	1	
FOP-4-4	21	HZW7-90101-U01	SCREW, TRUSS, 4X12	1	1	
FOP-4-4	22	HZW7-90102-U01	SCREW, PAN, 5X30	4	4	
FOP-4-4	23	HZW7-90103-U01	SCREW, PAN, 6X35	3	3	
FOP-4-4	24	HZW7-90104-U01	SCREW, TAPPING, 6X30	3	3	
FOP-4-4	25	HZW7-90301-U01	NUT, HEX., 6MM	3	3	
FOP-4-4	26	HZW5-90501-U00	WASHER, LOCK, 5MM	4	4	
FOP-4-4	27	HZW7-90502-U00	WASHER, PLAIN, 6MM	3	3	
FOP-4-4	28	HCO-94540-06029	E-RING, 6MM	2	2	



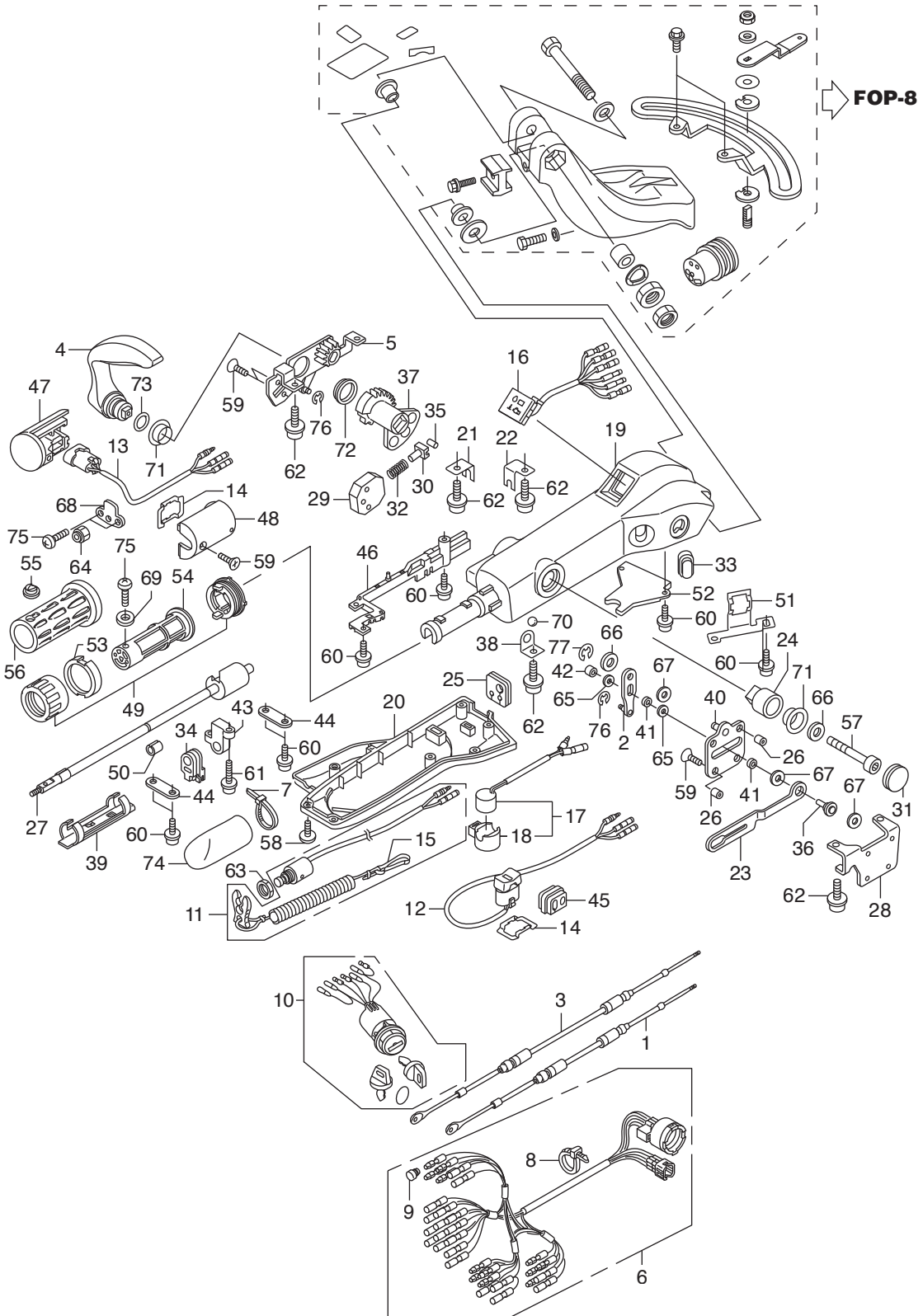
Ref.No.	Part No.	Description	Q'ty		Remarks
			BFT60A	BFW60A	
FOP-6	1	HZW4-58130-H02ZA	PROPELLER COMP., THREE BLADES	1	(11-3/8X12) *NH283* STIN GRAY
FOP-6		HZW4-58130-H32ZA	PROPELLER COMP., THREE BLADES	1	(11-1/8X13) *NH283* STIN GRAY
FOP-6		HZW4-58130-H43ZA	PROPELLER COMP., THREE BLADES	1	(11-1/8X14) *NH283* STIN GRAY
FOP-6		HZW4-58130-H53ZA	PROPELLER COMP., THREE BLADES	1	(11X15) *NH283* STIN GRAY
FOP-6		HZZ3-58130-W71ZA	PROPELLER COMP., THREE BLADES	1	(11X16) *NH283* STIN GRAY
FOP-6		HZZ3-58130-W81ZA	PROPELLER COMP., THREE BLADES	1	(11X17) *NH283* STIN GRAY
FOP-6		HZW1-58130-W03ZA	PROPELLER COMP., THREE BLADES		1 (14X11)(AL) *NH283* STIN GRAY
FOP-6		HZW1-58130-W13ZA	PROPELLER COMP., THREE BLADES		1 (13-3/4X13)(AL) *NH283* STIN GRAY
FOP-6		HZW1-58130-W24ZA	PROPELLER COMP., THREE BLADES		1 (13-1/2X15)(AL) *NH283* STIN GRAY
FOP-6		HZW1-58130-W33ZA	PROPELLER COMP., THREE BLADES		1 (13-1/4X17)(AL) *NH283* STIN GRAY
FOP-6		HZW1-58130-W63ZA	PROPELLER COMP., THREE BLADES		1 (13X19)(AL) *NH283* STIN GRAY
FOP-6		HZZ0-58130-D81ZB	PROPELLER COMP., THREE BLADES		1 (13-1/5X19) *NH283* STIN GRAY
FOP-6		HZZ3-58130-W91ZA	PROPELLER COMP., THREE BLADES		1 (14X9) *NH283* STIN GRAY



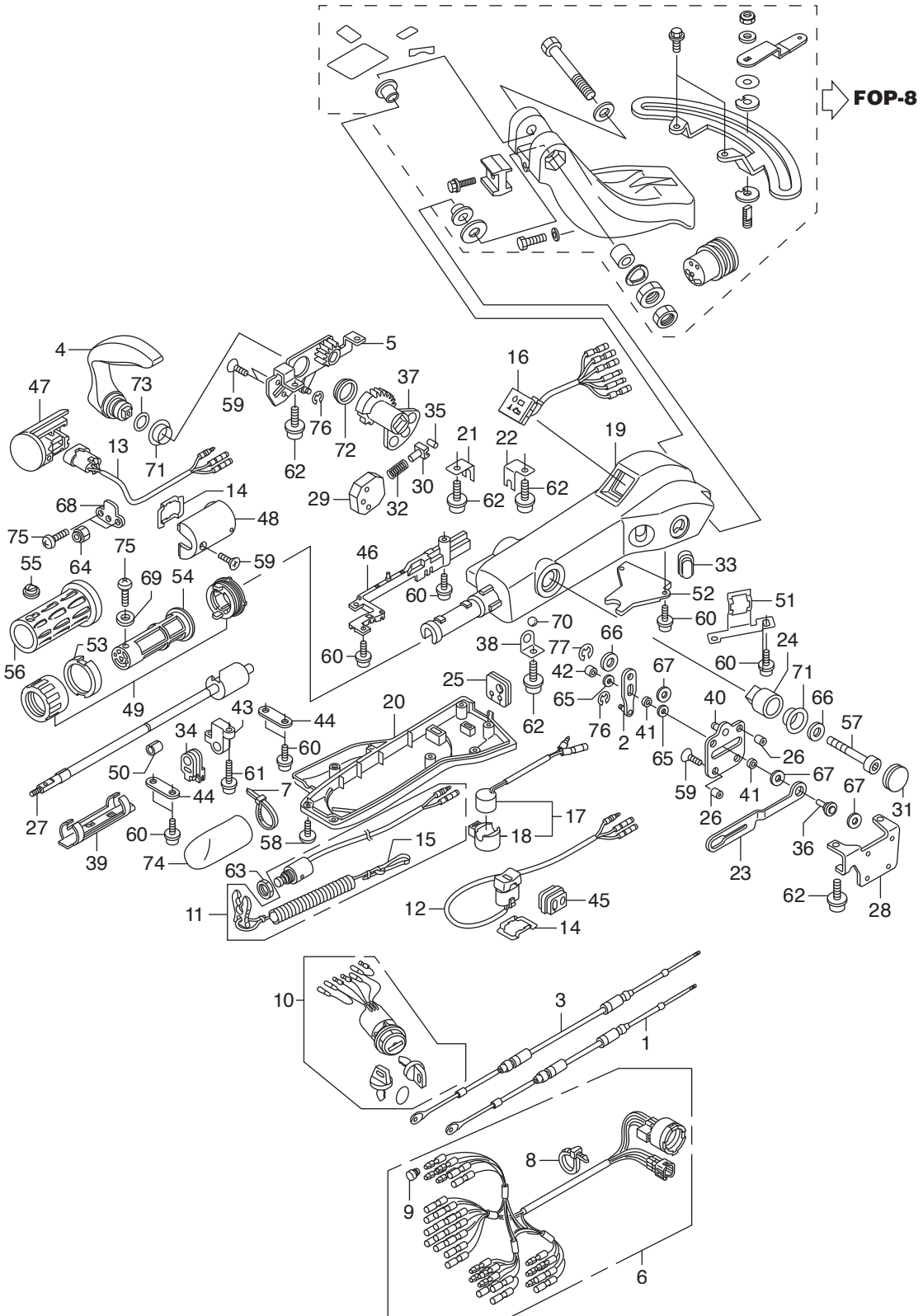
Ref.No.	Part No.	Description	Q'ty		Remarks	
			BFT60A	BFW60A		
FOP-7	1	HZW5-06900-U00	BOLT KIT, SIDE REMOTE CONTROL	1	1	
FOP-7	2	HZW5-90021-U00	BOLT, SPECIAL, 6X220	3	3	
FOP-7	3	HZW5-90511-U00	COLLAR, DISTANCE(A)	3	3	
FOP-7	4	HZW5-90512-U00	COLLAR, DISTANCE(B)	3	3	



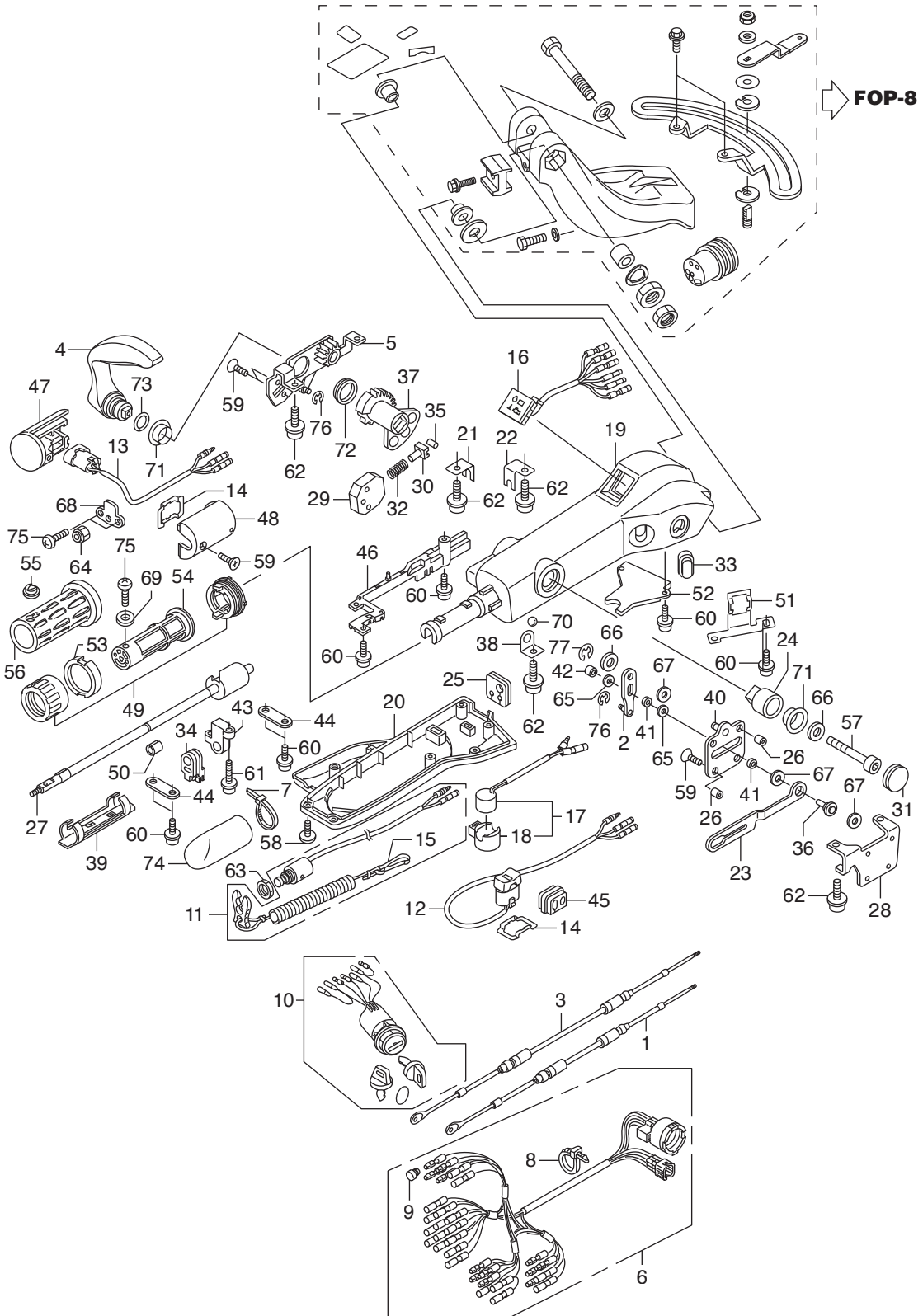
Ref.No.	Part No.	Description	Q' ty		Remarks	
			BFT60A	BFW60A		
FOP-8	1	HZZ3-06533-R50ZA	HANDLE KIT, STEERING	1	1	*T107* BAY BLUE
FOP-8	2	HZV4-36187-652	CLIP, EMERGENCY LOCK	1	1	
FOP-8	3	HZZ3-40105-A00	GROMMET, STEERING HANDLE CABLE	1	1	
FOP-8	4	HZW9-50212-003	BLOCK COMP., FRICTION	2	2	
FOP-8	5	HZZ3-50218-000	PLATE, FRICTION	1	1	
FOP-8	6	HZW9-50219-010	LEVER, FRICTION	1	1	
FOP-8	7	HZW4-53116-H11	BUSH, STEERING HANDLE	2	2	
FOP-8	8	HZY9-53232-A00	BLOCK, HEIGHT ADJUSTER	1	1	
FOP-8	9	HZZ5-53233-000ZD	BRACKET, STEERING	1	1	*T107* BAY BLUE
FOP-8	10	HZW6-87124-U80	MARK, EMERGENCY SWITCH	1	1	INDICATION(EU)
FOP-8	11	HZZ3-87125-R00	MARK, STARTER(ENGLISH)	1	1	
FOP-8	12	HZW9-87511-620	MARK, CHANGE	1	1	
FOP-8	13	HZW4-90101-H00	BOLT, HEX., 12X80	1	1	
FOP-8	14	HZW9-90102-000	BOLT, FLANGE, 6X12	2	2	
FOP-8	15	HZY3-90103-000	BOLT, HEX., 10X32	2	2	
FOP-8	16	HHW1-90118-671	BOLT, FLANGE, 8X28	1	1	
FOP-8	17	HZW9-90162-000	BOLT, STUD, 8X26	1	1	
FOP-8	18	HZW4-90303-H00	NUT, HEX., 12MM	1	1	
FOP-8	19	HZW9-90305-000	NUT, SELF-LOCK, 8MM	1	1	
FOP-8	20	HZV1-90506-000	WASHER, WAVE, 14MM	1	1	
FOP-8	21	H921-90514-000	WASHER, 8MM	1	1	
FOP-8	22	HZV4-90514-000	WASHER, 10MM	2	2	
FOP-8	23	HZW9-90517-000	WASHER, NYLON, 8MM	1	1	
FOP-8	24	HZV5-90552-000	WASHER, PLAIN, 12MM	1	1	
FOP-8	25	HZV5-90559-000	WASHER, PLAIN, 12MM	1	1	
FOP-8	26	HZW4-91552-H00	COLLAR, DISTANCE, 12.2X23X16	1	1	
FOP-8	27	HCO-94002-12490-0S	NUT, HEX., 12MM	1	1	
FOP-8	28	HZW9-87532-620	MARK, THROTTLE(ENGLISH/FRENCH)	1	1	



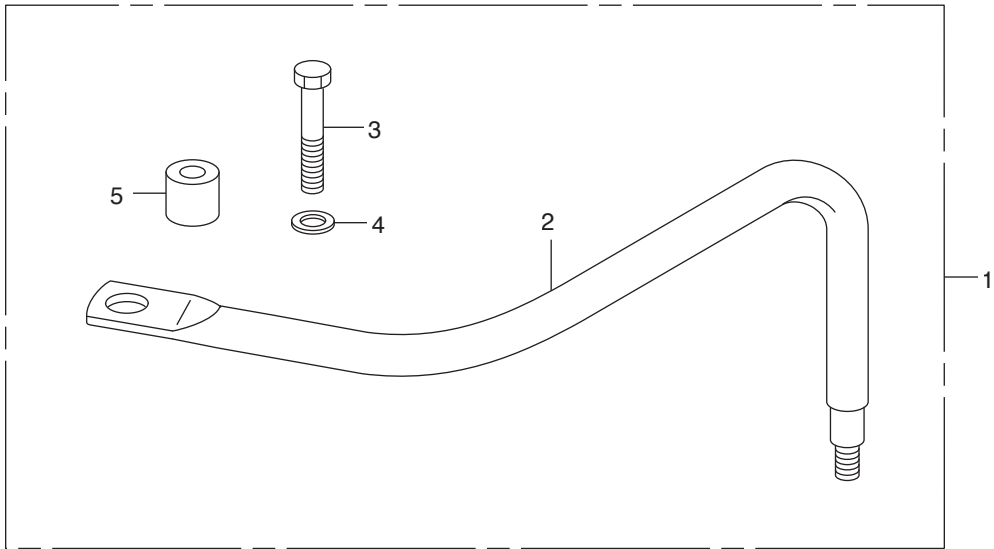
Ref.No.	Part No.	Description	Q'ty		Remarks	
			BFT60A	BFW60A		
FOP-8-1	1	HZZ3-17910-A41	CABLE, THROTTLE	1	1	
FOP-8-1	2	HZZ3-17931-A41	ARM ASSY., THROTTLE	1	1	
FOP-8-1	3	HZZ3-24590-A41	CABLE, SHIFT	1	1	
FOP-8-1	4	HZZ3-24614-A41	LEVER, SHIFT	1	1	
FOP-8-1	5	HZZ3-24615-A41	FRAME ASSY., SHIFT	1	1	
FOP-8-1	6	HZZ3-32538-A41	CABLE ASSY. A, LONG HANDLE	1	1	
FOP-8-1	7	HZW4-32543-H01	BAND(CONVEX CV-150)	1	1	
FOP-8-1	8	HZW4-32544-H01	BAND(CONVEX CV-200)	2	2	
FOP-8-1	9	HZV5-32823-003	PLUG, INNER CONNECTOR	13	13	
FOP-8-1	10	HZZ3-35100-R01	SWITCH ASSY., COMBINATION	1	1	
FOP-8-1	11	HZZ3-35180-A42	SWITCH ASSY., EMERGENCY STOP	1	1	
FOP-8-1	12	HZZ3-35340-A42	SWITCH ASSY., TROLLING CONTROL	1	1	
FOP-8-1	13	HZZ3-35640-A41	SWITCH ASSY., POWER TILT	1	1	
FOP-8-1	14	HZZ3-35645-A41	PLATE, SWITCH	2	2	
FOP-8-1	15	HZV4-36182-651	CORD COMP., EMERGENCY	1	1	
FOP-8-1	16	HZY9-37210-A02	LAMP ASSY., INDICATOR	1	1	
FOP-8-1	17	HZY9-38400-A00	BUZZER ASSY., WARNING	1	1	
FOP-8-1	18	HZY9-38402-A00	SUSPENSION, WARNING BUZZER	1	1	
FOP-8-1	19	HZZ3-53101-A41ZD	HOUSING	1	1	*T107* BAY BLUE
FOP-8-1	20	HZZ3-53102-A41	COVER, UNDER	1	1	
FOP-8-1	21	HZZ3-53103-A41	CLAMP, SHIFT CABLE	1	1	
FOP-8-1	22	HZZ3-53104-A41	CLAMP, THROTTLE CABLE	1	1	
FOP-8-1	23	HZZ3-53105-A41	PLATE, LOCK	1	1	
FOP-8-1	24	HZZ3-53106-A41	STOPPER, SHIFT	1	1	
FOP-8-1	25	HZZ3-53108-A41	GROMMET	1	1	
FOP-8-1	26	HZZ3-53109-A41	SPACER	4	4	
FOP-8-1	27	HZZ3-53110-A41	SHAFT ASSY., THROTTLE	1	1	
FOP-8-1	28	HZZ3-53111-A41	FRAME, THROTTLE	1	1	
FOP-8-1	29	HZZ3-53112-A41	GUIDE, SPRING	1	1	



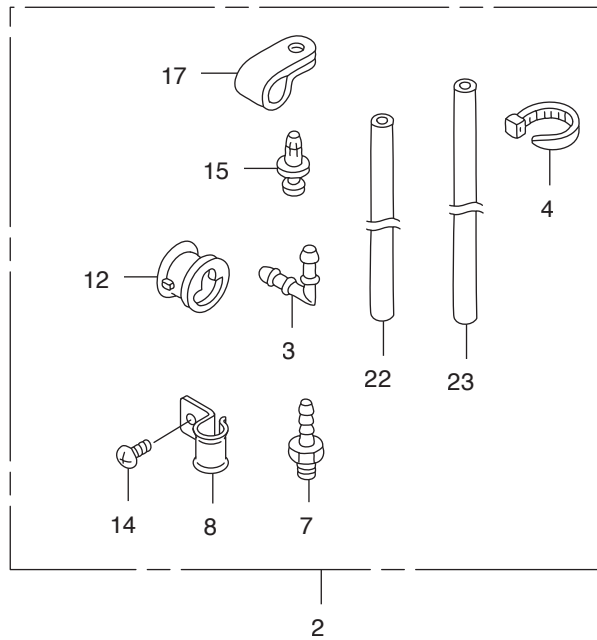
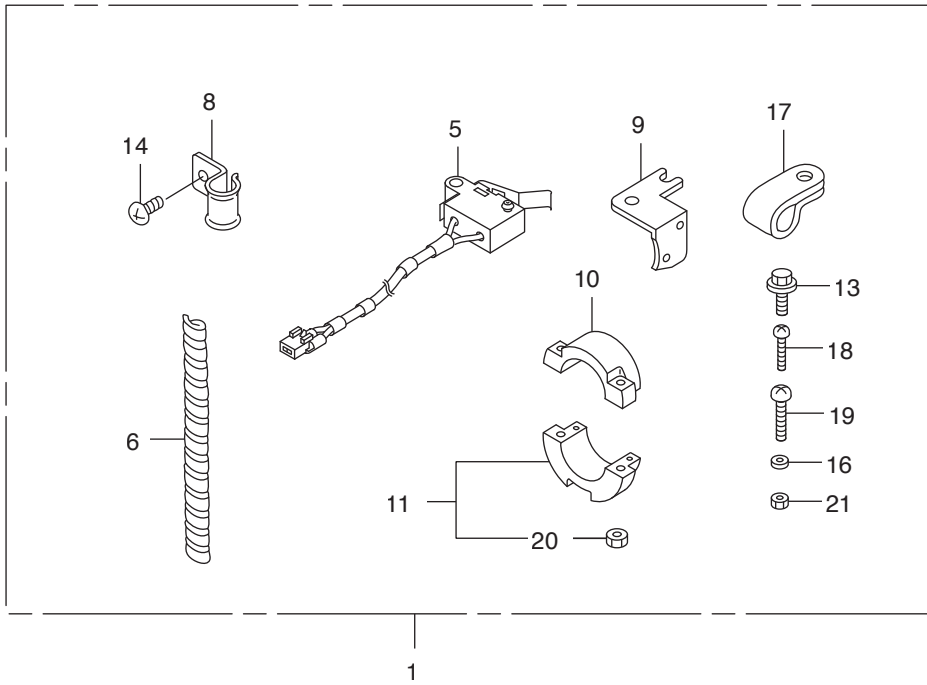
Ref.No.	Part No.	Description	Q'ty		Remarks	
			BFT60A	BFW60A		
FOP-8-1	30	HZW4-53113-H01	ACTUATOR	1	1	
FOP-8-1	31	HZZ3-53113-A41	CAP	1	1	
FOP-8-1	32	HZZ3-53114-A41	SPRING	1	1	
FOP-8-1	33	HZW4-53115-H02	GROMMET, POWER TILT SWITCH	1	1	
FOP-8-1	34	HZZ3-53115-A41	GROMMET, POWER TILT SWITCH	1	1	
FOP-8-1	35	HZW4-53116-H01	ROLLER	1	1	
FOP-8-1	36	HZZ3-53117-A41	PIN, SLIDE	1	1	
FOP-8-1	37	HZZ3-53118-A41	GEAR, SHIFT	1	1	
FOP-8-1	38	HZZ3-53119-A41	PLATE, BALL GUIDE	1	1	
FOP-8-1	39	HZZ3-53120-A41	GUIDE, THROTTLE HARNESS	1	1	
FOP-8-1	40	HZZ3-53121-A41	FRAME ASSY., THROTTLE SUB	1	1	
FOP-8-1	41	HZZ3-53122-A41	ROLLER, PLATE	2	2	
FOP-8-1	42	HZZ3-53123-A41	ROLLER, CAM	1	1	
FOP-8-1	43	HZZ3-53124-A41	STAY	1	1	
FOP-8-1	44	HZZ3-53125-A41	PLATE, SHIFT CLAMP	2	2	
FOP-8-1	45	HZZ3-53126-A41	GROMMET, SIDE	1	1	
FOP-8-1	46	HZZ3-53127-A41	GUIDE, HARNESS	1	1	
FOP-8-1	47	HZZ3-53128-A41	BOX ASSY., POWER TILT SWITCH	1	1	-1
FOP-8-1	48	HZZ3-53129-A41	BOX ASSY., POWER TILT SWITCH	1	1	-2
FOP-8-1	49	HZW9-53130-000	GRIP ASSY., THROTTLE FRICTION	1	1	
FOP-8-1	50	HZZ3-53130-A41	BUSH, THROTTLE SHAFT	1	1	
FOP-8-1	51	HZZ3-53131-A41	HOLDER, SWITCH	1	1	
FOP-8-1	52	HZZ3-53132-A41	PLATE, HARNESS	1	1	
FOP-8-1	53	HZW9-53133-000	PAD, THROTTLE FRICTION	1	1	
FOP-8-1	54	HZZ3-53141-A41	PIPE, THROTTLE GRIP	1	1	
FOP-8-1	55	HZZ3-53142-A41	CAP, GRIP	1	1	
FOP-8-1	56	HZZ3-53165-000	RUBBER, GRIP	1	1	
FOP-8-1	57	HZZ3-90103-A41	BOLT, SOCKET, 8X70	1	1	
FOP-8-1	58	HZW4-90104-H01	BOLT(M5X12)	8	8	



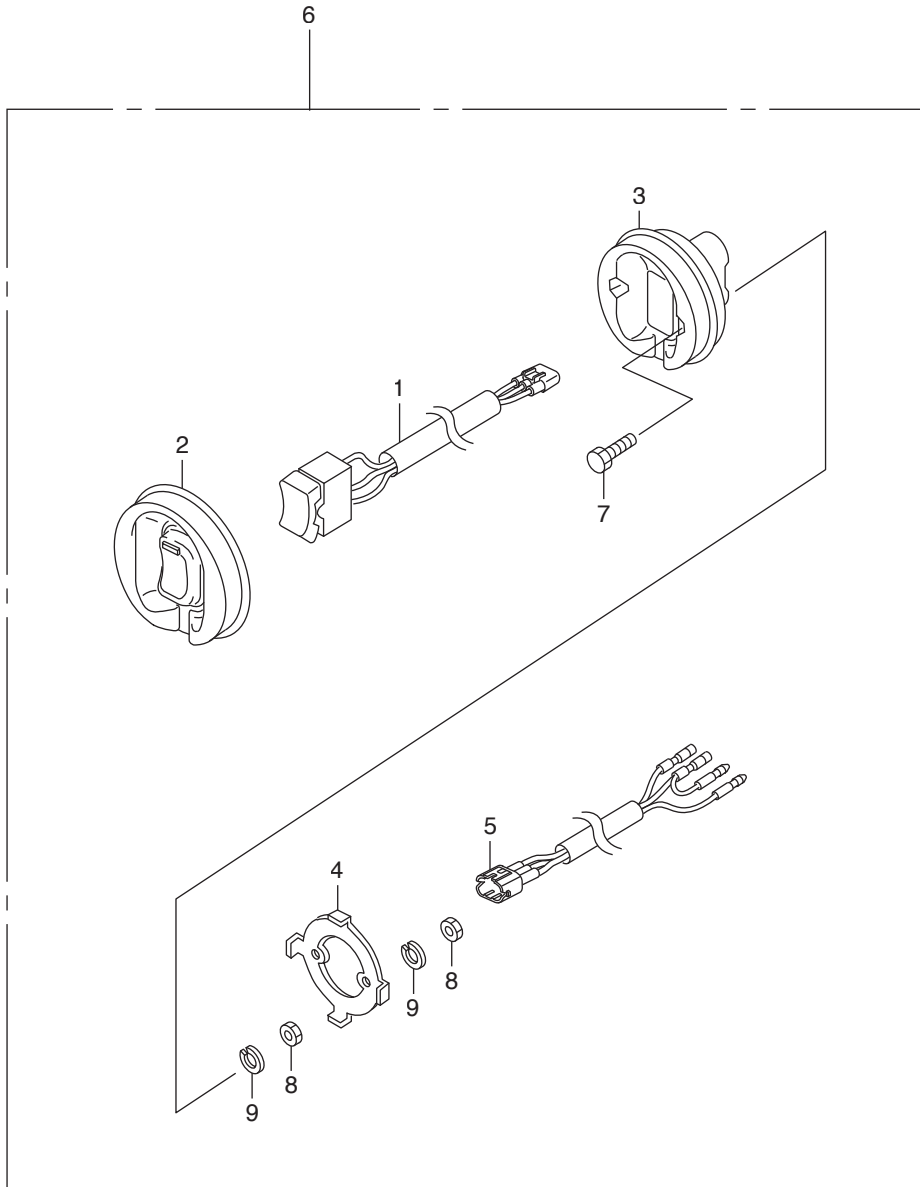
Ref.No.	Part No.	Description	Q' ty		Remarks	
			BFT60A	BFW60A		
FOP-8-1	59	HZZ3-90111-A41	SCREW, FLAT, 5X14	7	7	
FOP-8-1	60	HZZ3-90112-A41	BOLT, 5X12	11	11	
FOP-8-1	61	HZZ3-90113-A41	BOLT, 5X20	2	2	
FOP-8-1	62	HZZ3-90114-A41	BOLT, 6X15	7	7	
FOP-8-1	63	H921-90302-000	NUT, HEX., 16MM	1	1	
FOP-8-1	64	HZZ3-90305-A41	NUT, NYLON, 5MM	1	1	
FOP-8-1	65	HZZ3-90501-A41	WASHER	2	2	
FOP-8-1	66	HZW4-90502-H02	WASHER, 8MM	2	2	
FOP-8-1	67	HZZ3-90502-A41	WASHER	3	3	
FOP-8-1	68	HZZ3-90503-A41	WASHER, PLATE	1	1	
FOP-8-1	69	HZW4-90504-H01	WASHER, 5MM	1	1	
FOP-8-1	70	HZY9-90951-A01	BALL, STEEL	1	1	
FOP-8-1	71	HZW4-91051-H02	BEARING	2	2	
FOP-8-1	72	HZW4-91052-H01	BEARING	1	1	
FOP-8-1	73	HHP5-91304-601	O-RING, 20.6X1.9	1	1	
FOP-8-1	74	HZJ1-91408-810	TUBE, CORD, 30MM	1	1	
FOP-8-1	75	HCO-93500-05014-4J	SCREW, PAN, 5X14	3	3	
FOP-8-1	76	HCO-94540-04029	E-RING, 4MM	2	2	
FOP-8-1	77	HCO-94540-07029	E-RING, 7MM	1	1	



Ref.No.	Part No.	Description	Q'ty		Remarks	
			BFT60A	BFW60A		
FOP-8-10	1	HZZ3-06531-000	ROD KIT, STEERING	1	1	LRTD,LRTU
FOP-8-10	2	HZZ3-53238-000	ROD, STEERING	1	1	LRTD,LRTU
FOP-8-10	3	HZV0-90113-000	BOLT, HEX., 6X35	1	1	LRTD,LRTU
FOP-8-10	4	HZV4-90506-000	WASHER, PLAIN, 6MM	1	1	LRTD,LRTU
FOP-8-10	5	HZZ3-91554-000	COLLAR, DISTANCE, 6.5X16X16.5	1	1	LRTD,LRTU



Ref.No.	Part No.	Description	Q' ty		Remarks	
			BFT60A	BFW60A		
FOP-9	1	HZZ3-06357-000	LIMIT KIT, TILT	1	1	LRTD,LRTU
FOP-9	2	HZZ3-06411-000	TUBE KIT, SPEED SENSOR	1	1	
FOP-9	3	HGE1-17357-670	JOINT A, BREATHER	1	1	
FOP-9	4	HKM3-32161-003	BAND, WIRE	4	4	
FOP-9	5	HZZ3-35745-741	SWITCH ASSY., TILT LIMIT	1	1	LRTD,LRTU
FOP-9	6	HZV5-36104-821	TUBE, SPIRAL	1	1	LRTD,LRTU
FOP-9	7	HZV5-41172-000	NIPPLE, SENSOR	1	1	
FOP-9	8	HZY3-50209-A00	CLAMP, TUBE	4	4	LRTD,LRTU
FOP-9						
FOP-9	9	HZZ3-50222-000	BRACKET, TILT LIMIT SENSOR	1	1	LRTD,LRTU
FOP-9	10	HZZ3-50223-000	CAM A, TILT LIMIT ANGLE	1	1	LRTD,LRTU
FOP-9	11	HZZ3-50224-000	CAM B, TILT LIMIT ANGLE	1	1	LRTD,LRTU
FOP-9	12	HZY6-56118-000	BUSH, MOTOR CODE	1	1	
FOP-9	13	HZW9-90102-000	BOLT, FLANGE, 6X12	1	1	LRTD,LRTU
FOP-9	14	HZV5-90119-000	SCREW, PAN, 6X8	4	4	LRTD,LRTU
FOP-9						
FOP-9	15	HZV5-90127-003	SCREW, RIVET, 5X10	1	1	
FOP-9	16	HZW4-90401-000	WASHER, PLAIN, 4MM	1	1	LRTD,LRTU
FOP-9	17	H750-90628-000	CLIP(14MM)	2	2	LRTD,LRTU
FOP-9						
FOP-9	18	HCO-93500-04014-4J	SCREW, PAN, 4X14	1	1	LRTD,LRTU
FOP-9	19	HCO-93500-05020-4J	SCREW, PAN, 5X20	2	2	LRTD,LRTU
FOP-9	20	HCO-94001-05490-0S	NUT, HEX., 5MM	2	2	LRTD,LRTU
FOP-9	21	HCO-94002-04490-0S	NUT, HEX., 4MM	1	1	LRTD,LRTU
FOP-9	22	HCO-95005-50530-30	TUBE, 5X530	1	1	(HC-95005-50001-30M)
FOP-9	23	HCO-95005-50950-30	TUBE, 5X950	1	1	(HC-95005-50001-30M)



Ref.No.	Part No.	Description	Q' ty		Remarks
			BFT60A	BFW60A	
FOP-10	1	HZZ3-35340-741	SWITCH ASSY., TROLLING CONTROL	1	LRTD,LRTU
FOP-10	2	HZZ3-35341-740	RUBBER, TROLLING CONTROL	1	LRTD,LRTU
FOP-10	3	HZZ3-35342-740	BODY, TROLLING CONTROL SWITCH	1	LRTD,LRTU
FOP-10	4	HZZ3-35343-740	BRACKET, TROLLING CONTROL	1	LRTD,LRTU
FOP-10	5	HZZ3-35344-740	HARNESS, TROLLING CONTROL	1	LRTD,LRTU
FOP-10	6	HZZ3-35345-741	PANEL ASSY., TROLLING CONTROL	1	LRTD,LRTU
FOP-10	7	HCO-92101-04020-4J	BOLT, HEX., 4X20	2	LRTD,LRTU
FOP-10	8	HCO-94001-04490-0S	NUT, HEX., 4MM	4	LRTD,LRTU
FOP-10	9	HCO-94111-04500	WASHER, SPRING, 4MM	4	LRTD,LRTU

INDEX

<A>			
ACTUATOR	F-1-30	BEARING, TAPER ROLLER	F-4-1-30
ACTUATOR	FOP-8-1-30	BEARING, TAPERED ROLLER	F-5-1-21
ARM ASSY., SHIFT LINK	F-15-1-18	BELT, TIMING(88RU22.5 E-660)	E-13-5
ARM ASSY., THROTTLE	F-1-2	BLOCK ASSY., CYLINDER	E-3-4
ARM ASSY., THROTTLE	FOP-8-1-2	BLOCK COMP., FRICTION	F-11-5
ARM ASSY., THROTTLE LINK	F-15-1-21	BLOCK COMP., FRICTION	FOP-8-4
ARM COMP., EX. ROCKER(A)	E-9-7	BLOCK, HEIGHT ADJUSTER	F-1-1-2
ARM COMP., EX. ROCKER(B)	E-9-8	BLOCK, HEIGHT ADJUSTER	FOP-8-8
ARM COMP., IN. VALVE ROCKER	E-9-6	BLOCK, NEUTRAL LOCK	F-15-7
ARM COMP., LINK JOINT	F-15-19	BLOCK, THROTTLE FRICTION	F-15-29
ARM COMP., SHIFT LINK	F-15-15	BODY	E-18-10-3
ARM, NEUTRAL LOCK	FOP-4-4-5	BODY ASSY., THROTTLE	E-15-2
ARM, SHIFT	F-2-11	BODY, TROLLING CONTROL SWITCH	FOP-10-3
ARM, THROTTLE	F-2-7	BOLT	F-15-1-37
ARMATURE ASSY.	E-21-7	BOLT KIT, SIDE REMOTE CONTROL	FOP-7-1
ARMATURE COMP.	F-11-20-7	BOLT(M5X12)	F-1-58
		BOLT(M5X12)	FOP-8-1-58
BAG, TOOL, 160MM	F-13-14	BOLT(M6X37)	E-21-10
BALL, STEEL	F-1-70	BOLT, 3/8-24UNF	F-11-17
BALL, STEEL	F-11-20-44	BOLT, 5X12	F-1-60
BALL, STEEL	F-15-1-46	BOLT, 5X12	FOP-8-1-60
BALL, STEEL	FOP-8-1-70	BOLT, 5X20	F-1-61
BALL, STEEL, #11(11/32)	F-5-1-29	BOLT, 5X20	FOP-8-1-61
BALL, STEEL, #6(3/16)	F-5-29	BOLT, 6X15	F-1-62
BALL, STEEL, #7(7/32)	F-5-30	BOLT, 6X15	FOP-8-1-62
BALL, STEEL, #7(7/32)	F-5-1-28	BOLT, BLOCK OIL DRAIN	E-3-5
BAND	E-18-10-26	BOLT, CLAMP, 4X35	E-15-10-10
BAND(BLACK 3.5X140)	F-8-10-2	BOLT, CONNECTING ROD	E-7-4
BAND(BLACK 3.5X140)	F-11-20-3	BOLT, DRAIN PLUG	E-6-15
BAND(BLACK 3.5X140)	F-15-41	BOLT, DRAIN PLUG	F-3-10-13
BAND(CONVEX CV-150)	F-1-7	BOLT, DRAIN PLUG	F-3-11-15
BAND(CONVEX CV-150)	FOP-8-1-7	BOLT, FLANGE, 10X25	F-11-18
BAND(CONVEX CV-200)	F-1-8	BOLT, FLANGE, 10X40	E-13-15
BAND(CONVEX CV-200)	FOP-8-1-8	BOLT, FLANGE, 12X38	E-13-11
BAND, AIR FLOW	E-15-10-6	BOLT, FLANGE, 6X10	F-7-20-21
BAND, CABLE(B)	F-15-1-11	BOLT, FLANGE, 6X10	F-8-10-15
BAND, CORD	F-7-10-1	BOLT, FLANGE, 6X11	F-2-22
BAND, SELF LOCK	F-15-66	BOLT, FLANGE, 6X12	E-3-17
BAND, TUBE CLIP, 12.5MM	E-18-30	BOLT, FLANGE, 6X12	E-14-19
BAND, UNDER CASE GROMMET	F-8-10-6	BOLT, FLANGE, 6X12	F-2-23
BAND, WIRE	FOP-9-4	BOLT, FLANGE, 6X12	F-3-13
BAND, WIRE HARNESS(NATURAL)	FOP-3-24	BOLT, FLANGE, 6X12	F-4-1-20
BAND, WIRE HARNESS(NATURAL)	FOP-3-1-17	BOLT, FLANGE, 6X12	F-7-7
BASE	FOP-4-4-15	BOLT, FLANGE, 6X12	F-7-20-20
BEARING	F-1-71	BOLT, FLANGE, 6X12	F-11-16
BEARING	F-1-72	BOLT, FLANGE, 6X12	FOP-8-14
BEARING	FOP-8-1-71	BOLT, FLANGE, 6X12	FOP-9-13
BEARING	FOP-8-1-72	BOLT, FLANGE, 6X14	E-3-21
BEARING A, CONNECTING ROD	E-7-6	BOLT, FLANGE, 6X14	E-5-10
BEARING B, CONNECTING ROD	E-7-	BOLT, FLANGE, 6X14	E-18-10-44
BEARING B, MAIN LOWER(BLACK)	E-7-11	BOLT, FLANGE, 6X14	F-7-20-22
BEARING B, MAIN UPPER(BLACK)	E-7-8	BOLT, FLANGE, 6X14(CT200)	E-3-15
BEARING C, CONNECTING ROD	E-7-	BOLT, FLANGE, 6X14(CT200)	E-18-22
BEARING C, MAIN LOWER(BROWN)	E-7-	BOLT, FLANGE, 6X14(CT200)	F-7-20-19
BEARING C, MAIN UPPER(BROWN)	E-7-	BOLT, FLANGE, 6X16	E-2-33
BEARING D, CONNECTING ROD	E-7-	BOLT, FLANGE, 6X16	E-3-20
BEARING D, MAIN LOWER(GREEN)	E-7-	BOLT, FLANGE, 6X16	E-19-9
BEARING D, MAIN UPPER(GREEN)	E-7-	BOLT, FLANGE, 6X16	F-2-21
BEARING E, CONNECTING ROD	E-7-	BOLT, FLANGE, 6X16	F-10-16
BEARING E, MAIN LOWER(YELLOW)	E-7-	BOLT, FLANGE, 6X18(CT200)	F-2-20
BEARING E, MAIN UPPER(YELLOW)	E-7-	BOLT, FLANGE, 6X20	E-2-34
BEARING F, CONNECTING ROD	E-7-	BOLT, FLANGE, 6X20	E-20-2
BEARING F, MAIN LOWER(PINK)	E-7-	BOLT, FLANGE, 6X20	F-3-14
BEARING F, MAIN UPPER(PINK)	E-7-	BOLT, FLANGE, 6X20	F-3-30-21
BEARING G, CONNECTING ROD(RED)	E-7-	BOLT, FLANGE, 6X20	F-4-18
BEARING G, MAIN LOWER(RED)	E-7-	BOLT, FLANGE, 6X22	E-2-28
BEARING G, MAIN UPPER(RED)	E-7-	BOLT, FLANGE, 6X22	E-2-35
BEARING H, MAIN LOWER(WHITE)	E-7-	BOLT, FLANGE, 6X22	E-3-22
BEARING H, MAIN UPPER(WHITE)	E-7-	BOLT, FLANGE, 6X22	E-6-12
BEARING, 25X47X15	F-4-27	BOLT, FLANGE, 6X23	F-10-13
BEARING, 32X58X17	F-5-22	BOLT, FLANGE, 6X25	E-5-11
BEARING, BALL(28X38X3)	F-5-1-22	BOLT, FLANGE, 6X25	E-18-23
BEARING, NEEDLE	F-4-1-29	BOLT, FLANGE, 6X25	E-19-6
BEARING, NEEDLE, 22X28X20	F-5-23	BOLT, FLANGE, 6X28	E-3-19
BEARING, NEEDLE, 30X37X26	F-5-1-20	BOLT, FLANGE, 6X28	E-19-7
BEARING, NEEDLE, 7/8X11/8X1	F-4-26	BOLT, FLANGE, 6X30	F-3-10-16
BEARING, RADIAL BALL, 6007	F-5-28	BOLT, FLANGE, 6X32	E-14-17
BEARING, RADIAL BALL, 6208	F-5-1-27	BOLT, FLANGE, 6X35	F-3-11-19
		BOLT, FLANGE, 6X37	E-2-36
		BOLT, FLANGE, 6X50	E-15-3
		BOLT, FLANGE, 8X18	F-7-10-22
		BOLT, FLANGE, 8X25	F-3-11
		BOLT, FLANGE, 8X26(SUS)	E-6-14
		BOLT, FLANGE, 8X28	E-3-23
		BOLT, FLANGE, 8X28	F-1-1-6
		BOLT, FLANGE, 8X28	FOP-8-16
		BOLT, FLANGE, 8X32	E-14-18
		BOLT, FLANGE, 8X35	F-3-16
		BOLT, FLANGE, 8X35	F-15-51
		BOLT, FLANGE, 8X35(SUS)	E-6-13
		BOLT, FLANGE, 8X45	E-14-20
		BOLT, FLANGE, 8X45	E-21-21
		BOLT, FLANGE, 8X60	E-6-21
		BOLT, FLANGE, 8X60(SUS)	E-6-11
		BOLT, FLANGE, 8X70	E-2-38
		BOLT, FLANGE, 8X90	E-2-29
		BOLT, FLANGE, (SH)6X20	F-8-10-20
		BOLT, FRICTION	F-15-30
		BOLT, HEAD COVER	E-2-32
		BOLT, HEX., 10X158	F-10-14
		BOLT, HEX., 10X32	F-1-1-5
		BOLT, HEX., 10X32	F-3-10-11
		BOLT, HEX., 10X32	FOP-8-15
		BOLT, HEX., 10X60	F-3-10-9
		BOLT, HEX., 10X80	F-3-11-13
		BOLT, HEX., 12X119	F-10-15
		BOLT, HEX., 12X186	F-3-12
		BOLT, HEX., 12X80	F-1-1-4
		BOLT, HEX., 12X80	FOP-8-13
		BOLT, HEX., 4X20	FOP-10-7
		BOLT, HEX., 5X16	F-15-71
		BOLT, HEX., 6X35	FOP-8-10-3
		BOLT, HEX., 8X20	F-3-10-14
		BOLT, HEX., 8X25	F-3-11-14
		BOLT, HEX., 8X40	F-4-19
		BOLT, HEX., 8X40	FOP-1-11
		BOLT, HEX., 8X55	F-4-1-19
		BOLT, HEX., 8X55	FOP-1-
		BOLT, OIL CHECK	F-3-10-10
		BOLT, OIL CHECK	F-3-11-11
		BOLT, ROCKER ARM SHAFT	E-9-20
		BOLT, RR. BRACKET	F-8-21
		BOLT, SEALING, 14MM	E-5-5
		BOLT, SEALING, 14MM	E-5-6
		BOLT, SEALING, 20MM	E-2-3
		BOLT, SEALING, 24MM	E-3-1
		BOLT, SEALING, 6MM	E-18-10-42
		BOLT, SOCKET(B)	F-11-20-40
		BOLT, SOCKET, 5X0.8	F-11-20-39
		BOLT, SOCKET, 6X16	F-3-11-17
		BOLT, SOCKET, 8X70	F-1-57
		BOLT, SOCKET, 8X70	FOP-8-1-57
		BOLT, SPECIAL, 6X17	F-8-20
		BOLT, SPECIAL, 6X17	F-8-10-18
		BOLT, SPECIAL, 6X220	FOP-7-2
		BOLT, SPECIAL, 6X31	E-19-10
		BOLT, SPECIAL, 6X37	F-8-10-19
		BOLT, STUD 2, 8X25	F-3-30-19
		BOLT, STUD, 10X125	F-3-30-20
		BOLT, STUD, 8X26	F-11-19
		BOLT, STUD, 8X26	FOP-8-17
		BOLT, STUD, 8X32	E-2-30
		BOLT, TDC PULSER PLATE	E-9-5
		BOLT, THROUGH	E-21-20
		BOLT, TIMING BELT ADJUSTING	E-3-16
		BOLT-WASHER, 10X40	F-3-11-16
		BOLT-WASHER, 10X40	F-5-1-14
		BOLT-WASHER, 16X49	E-19-8
		BOLT-WASHER, 5X18	E-14-16
		BOLT-WASHER, 6X20	F-3-30-31
		BOLT-WASHER, 6X22	F-8-18
		BOLT-WASHER, 6X25	E-13-10
		BOLT-WASHER, 6X25	E-18-10-43
		BOLT-WASHER, 6X25	F-8-17
		BOLT-WASHER, 6X27	F-8-19
		BOLT-WASHER, 6X27	F-8-10-17
		BOLT-WASHER, 6X27(CT200)	E-20-10-9
		BOLT-WASHER, 6X27(CT200)	F-7-20-18

BOLT-WASHER, 6X95	F-8-10-16	CABLE, SHIFT	F-1-3	CLIP, TUBE(B10).....	F-3-30-24
BOLT-WASHER, 8X30	F-5-15	CABLE, SHIFT	FOP-8-1-3	CLIP, TUBE(B12).....	E-18-25
BOLT-WASHER, 8X35	E-14-15	CABLE, THROTTLE	F-1-1	CLIP, TUBE(B12).....	F-3-30-25
BOLT-WASHER, 8X40	F-4-20	CABLE, THROTTLE	FOP-8-1-1	CLIP, TUBE(B12.5).....	F-3-30-26
BOLT-WASHER, 8X40	FOP-1-12	CAM A, TILT LIMIT ANGLE	FOP-9-10	CLIP, TUBE, 3.5	E-18-28
BOLT-WASHER, 9X100	E-3-14	CAM B, TILT LIMIT ANGLE	FOP-9-11	CLIP, WIRE	E-18-27
BOLT-WASHER, 9X105	E-2-31	CAMSHAFT COMP.....	E-9-3	CLIP, WIRE HARNESS	F-10-23
BOOT, SPRING	E-13-9	CAP	F-1-31	CLIP, WIRE HARNESS(6.3MM).....	F-15-68
BOTTOM, TILT CYLINDER.....	F-11-20-21	CAP	FOP-8-1-31	CLIP, WIRE HARNESS(GREEN).....	F-7-9
BOX ASSY., POWER TILT SWITCH	F-1-47	CAP ASSY.	F-10-6	CLIP, WIRE HARNESS, 25MM.....	E-2-40
BOX ASSY., POWER TILT SWITCH	F-1-48	CAP BOLT, 6MM	E-2-37	COIL COMP., IGNITION(1).....	E-20-10-2
BOX ASSY., POWER TILT SWITCH	FOP-8-1-47	CAP, GRIP	F-1-55	COIL COMP., IGNITION(2).....	E-20-10-3
BOX ASSY., POWER TILT SWITCH	FOP-8-1-48	CAP, GRIP	FOP-4-7	COIL COMP., IGNITION(3).....	E-20-10-4
BOX ASSY., REMOTE CONTROL	F-15-1-1	CAP, GRIP	FOP-4-2-9	COLLAR, 6MM	F-2-40
BOX ASSY., REMOTE CONTROL(EU).....	F-15-2	CAP, GRIP	FOP-8-1-55	COLLAR, 8.5X14.5.....	E-14-24
BOX KIT, REMOTE CONTROL.....	FOP-4-1	CAP, HANDLE.....	F-15-6	COLLAR, C.D.I. UNIT CASE	E-18-10-48
BOX KIT, REMOTE CONTROL.....	FOP-4-2-1	CAP, L. SIDE COVER	F-8-10-14	COLLAR, C.D.I. UNIT CASE	E-20-10-10
BOX KIT, REMOTE CONTROL.....	FOP-4-4-1	CAP, OIL TANK	F-11-20-37	COLLAR, C.D.I. UNIT CASE	F-7-20-25
BRACKET A, POWER TILT COUPLER	F-7-20-14	CAP, OIL(YELLOW)	E-2-9	COLLAR, C.D.I. UNIT CASE	F-7-30-4
BRACKET A, REGULATOR COUPLER	E-3-9	CAP, SWITCH	FOP-4-8	COLLAR, C.D.I. UNIT CASE	F-8-28
BRACKET ASSY.	F-11-20-6	CAP, TILTING BOLT	F-10-5	COLLAR, DISTANCE	F-4-33
BRACKET ASSY., CENTER	E-21-2	CAP, TIMING BELT TENSIONER.....	E-13-7	COLLAR, DISTANCE	F-4-1-36
BRACKET B, REGULATOR COUPLER	E-3-11	CAP, WATER JOINT	F-8-1	COLLAR, DISTANCE	FOP-1-18
BRACKET COMP., NEUTRAL SWITCH	F-7-20-10	CARTRIDGE, OIL FILTER	E-3-7	COLLAR, DISTANCE(A)	FOP-7-3
BRACKET, A.C. GENERATOR.....	E-19-4	CASE ASSY., GEAR	E-21-12	COLLAR, DISTANCE(B)	FOP-7-4
BRACKET, A.C. GENERATOR FUSE	F-7-20-6	CASE ASSY., GEAR	F-3-20-1	COLLAR, DISTANCE, 10X90.....	F-10-26
BRACKET, BUZZER	FOP-3-21	CASE ASSY., GEAR	E-6-1	COLLAR, DISTANCE, 12.2X23X16	F-1-1-12
BRACKET, BUZZER	FOP-3-1-14	CASE ASSY., OIL.....	E-6-9	COLLAR, DISTANCE, 12.2X23X16	FOP-8-26
BRACKET, CENTER	E-21-8	CASE COMP., MOUNT	E-6-9	COLLAR, DISTANCE, 6.1X9.1X20.5	F-8-10-24
BRACKET, FR. UNDER COVER	F-8-10-8	CASE KIT, GEAR	F-3-10-1	COLLAR, DISTANCE, 6.2X7.5	F-8-30
BRACKET, FUSE	F-7-20-7	CASE KIT, GEAR(P/T)	F-3-11-1	COLLAR, DISTANCE, 6.2X7.5.....	F-8-10-25
BRACKET, L. STERN	F-10-4	CASE, ELECTRONIC PARTS	F-7-20-3	COLLAR, DISTANCE, 6.5X11X7.5	F-3-30-3
BRACKET, LINK JOINT	F-15-20	CASE, EXTENSION	F-3-3	COLLAR, DISTANCE, 6.5X16X16.5	FOP-8-10-5
BRACKET, MAIN RELAY	F-7-20-17	CASE, GEAR	F-3-10-3	COLLAR, DISTANCE, 6.5X9X3	F-3-11-33
BRACKET, POWER TILT RELAY	F-7-20-16	CASE, GEAR	F-3-11-3	COLLAR, DISTANCE, 6.5X9X5	F-8-29
BRACKET, POWER TILT SWITCH	F-7-20-11	CASE, IGNITION COIL.....	E-20-10-5	COLLAR, DISTANCE, 6.5X9X5	F-8-10-22
BRACKET, R. STERN	F-10-3	CASE, SWIVEL	F-11-3	COLLAR, DISTANCE, 6X10X43.5.....	F-15-70
BRACKET, REMOTE CONTROL	FOP-4-12	CIRCLIP, 14MM	F-5-27	COLLAR, FR. BRACKET.....	F-8-10-23
BRACKET, REMOTE CONTROL	FOP-4-2-13	CIRCLIP, EXTERNAL	F-15-1-44	COLLAR, LINK JOINT	F-15-69
BRACKET, REMOTE CONTROL CABLE	F-8-10-1	CIRCLIP, EXTERNAL, 12	F-2-31	COLLAR, SLIDING PLATE	F-15-17
BRACKET, RR. UNDER COVER	F-8-5	CIRCLIP, EXTERNAL, 14MM	F-5-1-26	COLLAR, STEERING ROD	F-11-32
BRACKET, SHIFT LINK	F-2-16	CIRCLIP, EXTERNAL, 39MM	F-11-28	CONTROL UNIT, ELECTRONIC.....	E-20-1
BRACKET, STEERING	F-1-1-3	CIRCLIP, INTERNAL(16).....	F-11-20-12	CORD ASSY., IGNITION COIL.....	E-20-10-7
BRACKET, STEERING	FOP-8-9	CLAMP	F-6-5	CORD ASSY., INDICATOR(20FT).....	FOP-3-4
BRACKET, TILT LIMIT SENSOR	FOP-9-9	CLAMP	F-6-8	CORD ASSY., INDICATOR(25FT).....	FOP-3-
BRACKET, TILTING	F-11-12	CLAMP B, FUEL TUBE	E-14-6	CORD ASSY., INDICATOR(30FT).....	FOP-3-
BRACKET, TROLLING CONTROL.....	FOP-10-4	CLAMP B, FUEL TUBE	E-18-16	CORD COMP., EMERGENCY.....	F-1-15
BRACKET, TUBE CLAMP	E-18-10	CLAMP B, FUEL TUBE	F-7-20-2	CORD COMP., EMERGENCY.....	F-15-43
BREAKER ASSY.	F-11-20-1	CLAMP, 6MM-12MM	E-18-26	CORD COMP., EMERGENCY.....	F-15-1-29
BRUSH ASSY.	F-11-20-2	CLAMP, AIR VENT TUBE	E-18-15	CORD COMP., EMERGENCY.....	FOP-3-15
BUSH	F-15-1-23	CLAMP, FUEL TUBE	F-7-20-1	CORD COMP., EMERGENCY.....	FOP-3-1-9
BUSH A, COVER LOCK	F-2-19	CLAMP, HARNESS	F-15-10	CORD COMP., EMERGENCY.....	FOP-8-1-15
BUSH, LOWER CYLINDER.....	F-10-12	CLAMP, HIGH TENSION CORD	E-20-10-8	COTTER, VALVE(FUJI VALVE).....	E-9-19
BUSH, MOTOR CODE.....	F-10-11	CLAMP, OIL HOSE	E-18-1	COUPLER COMP.....	E-18-10-38
BUSH, MOTOR CODE.....	FOP-9-12	CLAMP, POWER TILT CORD	F-15-32	COVER	E-18-10-7
BUSH, STEERING HANDLE.....	F-1-1-1	CLAMP, SHIFT CABLE.....	F-1-21	COVER	E-18-10-25
BUSH, STEERING HANDLE	FOP-8-7	CLAMP, SHIFT CABLE	FOP-8-1-21	COVER ASSY.	FOP-4-4-11
BUSH, SWIVEL CASE	F-11-6	CLAMP, THROTTLE CABLE	F-1-22	COVER ASSY., ENGINE.....	F-8-10-10
BUSH, THROTTLE SHAFT	F-1-50	CLAMP, THROTTLE CABLE	FOP-8-1-22	COVER ASSY., FUSE(40A)	F-7-4
BUSH, THROTTLE SHAFT	FOP-8-1-50	CLAMP, TUBE	FOP-9-8	COVER ASSY., L. ENGINE UNDER	F-8-10
BUSH, TILT ARM	F-11-11	CLAMP, TUBE(7.5-11.5)(BLACK).....	E-18-19	COVER ASSY., R. ENGINE UNDER	F-8-9
BUSH, UPPER CYLINDER.....	F-11-20-33	CLAMP, TUBE(D12)	E-18-24	COVER ASSY., RR.	E-21-13
BUSHING	F-15-1-8	CLAMP, TUBE(D29)	E-2-39	COVER B, GEAR CASE	F-3-11-5
BUTTON, THROTTLE	F-15-1-9	CLAMPER, CORD	F-11-20-8	COVER COMP.	E-18-10-4
BUTTON, THROTTLE	FOP-4-9	CLIP B1, TUBE	F-3-30-27	COVER KIT, DUST	E-21-17
BUTTON, THROTTLE	FOP-4-2-10	CLIP(14MM)	FOP-9-17	COVER, A.C. GENERATOR.....	F-7-30-1
BUTTON, THROTTLE	FOP-4-4-8	CLIP, 10.7MM	F-8-25	COVER, CAM THRUST	E-2-4
BUZZER ASSY., WARNING	F-1-17	CLIP, 7MM	F-3-24	COVER, CYLINDER HEAD	E-2-6
BUZZER ASSY., WARNING	FOP-8-1-17	CLIP, COUPLER HOLDER(B)	F-7-20-12	COVER, DUAL GRIP	FOP-4-2-8
BUZZER COMP., WARNING	F-15-47	CLIP, EMERGENCY LOCK	F-13-3	COVER, FLUSH VALVE	F-3-30-11
BUZZER COMP., WARNING	FOP-3-20	CLIP, EMERGENCY LOCK	F-15-44	COVER, FR. SEPARATE.....	F-8-10-7
BUZZER COMP., WARNING	FOP-3-1-13	CLIP, EMERGENCY LOCK	FOP-3-16	COVER, GRIP	F-15-1-6
<C>		CLIP, EMERGENCY LOCK	FOP-3-1-10	COVER, GRIP	FOP-4-4-4
CABLE ASSY. A, LONG HANDLE	F-1-6	CLIP, EMERGENCY LOCK	FOP-8-2	COVER, IMPELLER.....	F-4-5
CABLE ASSY. A, LONG HANDLE	FOP-8-1-6	CLIP, HARNESS BAND(BLACK)	E-3-30	COVER, IMPELLER.....	F-4-1-5
CABLE ASSY., REMOTE CONTROL(B)	F-15-35	CLIP, HARNESS BAND(BLACK)	F-7-10	COVER, IMPELLER.....	FOP-1-6
CABLE ASSY., STARTER	F-7-10-4	CLIP, HARNESS BAND(BLACK)	F-7-10-29	COVER, L. GRIP	FOP-4-5
CABLE ASSY., SWITCH PANEL.....	FOP-3-9	CLIP, HARNESS BAND(BLACK)	F-11-20-61	COVER, L. GRIP	FOP-4-2-6
CABLE ASSY., SWITCH PANEL.....	FOP-3-	CLIP, HARNESS BAND(BLACK)	FOP-2-4-6	COVER, L. LOWER MOUNTING.....	F-8-14
CABLE ASSY., SWITCH PANEL.....	FOP-3-	CLIP, HARNESS BAND(NATURAL)	E-19-12	COVER, LOCK ARM	FOP-4-4-6
CABLE SET, PANEL INDICATOR	FOP-3-2	CLIP, R. BRAKE WIRE	E-18-10-41	COVER, OIL PUMP	E-5-2
CABLE SET, PANEL INDICATOR	FOP-3-	CLIP, SENSOR HOSE	E-18-21	COVER, R. LOWER MOUNTING.....	F-8-13
CABLE SET, PANEL INDICATOR	FOP-3-	CLIP, TUBE(B10)	E-18-10-46	COVER, REMOTE CONTROL CABLE.....	F-2-6

COVER, STARTER TERMINAL.....	F-7-10-5	GRIP, REMOTE CONTROL HANDLE.....	FOP-4-6	HOUSING ASSY., L. INNER.....	FOP-4-2-3
COVER, THERMOSTAT.....	E-2-20	GRIP, REMOTE CONTROL HANDLE.....	FOP-4-2-7	HOUSING ASSY., R. INNER.....	FOP-4-2-4
COVER, UNDER.....	F-1-20	GRIP, SCREW DRIVER.....	F-13-7	HOUSING ASSY., R. INNER.....	FOP-4-4-2
COVER, UNDER.....	FOP-8-1-20	GROMMET.....	F-1-25	HOUSING ASSY., REMOTE CONTROL.....	F-15-1-7
COVER, UPPER MOUNT.....	F-3-30-17	GROMMET.....	F-15-1-15	HOUSING COMP., REMOTE CONTROL.....	F-15-11
COVER, WATER JACKET.....	E-2-22	GROMMET.....	FOP-8-1-25	HOUSING COMP., REMOTE CONTROL.....	F-15-12
COVER, WATER JACKET.....	E-18-10-9	GROMMET, AIR GUIDE.....	E-15-10-7	HOUSING COMP., REMOTE CONTROL.....	FOP-4-13
CRANKSHAFT.....	E-7-7	GROMMET, C.D.I. UNIT CASE(B).....	F-7-20-5	HOUSING COMP., REMOTE CONTROL.....	FOP-4-2-14
CUP.....	E-2-15	GROMMET, ELECTRONIC PARTS CASE.....	E-20-10-1	HOUSING, IMPELLER.....	F-4-2
CYLINDER, TILT.....	F-11-20-19	GROMMET, ELECTRONIC PARTS CASE.....	F-7-20-4	HOUSING, IMPELLER.....	F-4-1-2
<D>		GROMMET, EX. PIPE.....	F-3-2	HOUSING, IMPELLER.....	FOP-1-3
DOWEL PIN, 12X14.....	E-3-26	GROMMET, EXTENSION CASE.....	F-3-5	HOUSING, LEAD.....	FOP-4-14
DOWEL PIN, 14X20.....	E-3-32	GROMMET, GEAR CASE.....	F-3-10-4	HOUSING, LEAD.....	FOP-4-2-15
DOWEL PIN, 6X10.....	E-6-18	GROMMET, GEAR CASE.....	F-3-11-4	HOUSING, LOWER CENTER MOUNTING.....	F-11-2
DOWEL PIN, 6X10.....	E-6-20	GROMMET, GEAR CASE.....	F-3-11-6	HOUSING, LOWER MOUNTING.....	F-3-8
DOWEL PIN, 6X10.....	F-3-25	GROMMET, POWER TILT SWITCH.....	F-1-33	HOUSING, REMOTE CONTROL BOX(B).....	F-15-1-12
DOWEL PIN, 6X10.....	F-3-10-21	GROMMET, POWER TILT SWITCH.....	F-1-34	HOUSING, REMOTE CONTROL BOX(C).....	F-15-13
DOWEL PIN, 6X10.....	F-3-11-25	GROMMET, POWER TILT SWITCH.....	FOP-8-1-33	HOUSING, REMOTE CONTROL BOX(C).....	F-15-1-14
DOWEL PIN, 6X10.....	F-4-25	GROMMET, POWER TILT SWITCH.....	FOP-8-1-34	HOUSING, WATER PUMP.....	F-4-1-7
DOWEL PIN, 6X10.....	F-4-1-28	GROMMET, RELAY BRACKET.....	F-7-20-15	HOUSING, WATER SEAL.....	F-4-16
DOWEL PIN, 8X10.....	E-7-12	GROMMET, REMOTE CONTROL CABLE.....	F-8-10-4	<I>	
DRIVER 3, MINUS SCREW(NO.2).....	F-13-15	GROMMET, SIDE.....	F-1-45	IMPELLER, PUMP.....	F-4-1
<E>		GROMMET, SIDE.....	FOP-8-1-45	IMPELLER, PUMP.....	F-4-1-1
E-RING, 10MM.....	F-4-34	GROMMET, SIDE COVER.....	F-7-30-3	IMPELLER, PUMP.....	FOP-1-2
E-RING, 10MM.....	F-4-1-37	GROMMET, STEERING HANDLE CABLE.....	F-8-10-	INJECTOR ASSY., FUEL.....	E-14-1
E-RING, 10MM.....	F-11-20-62	GROMMET, STEERING HANDLE CABLE.....	FOP-8-3	INSULATOR.....	E-18-10-28
E-RING, 12MM.....	F-2-44	GROMMET, TA SENSOR.....	E-15-10-9	INSULATOR COMP.....	E-18-10-27
E-RING, 3MM.....	F-15-80	GROMMET, UNDER CASE.....	E-18-10-40	<J>	
E-RING, 4MM.....	F-1-76	GROMMET, UNDER CASE.....	F-7-30-2	JOINT A, BREATHER.....	FOP-9-3
E-RING, 4MM.....	F-2-42	GROMMET, UNDER CASE.....	F-8-4	JOINT ASSY (INLET).....	F-6-2
E-RING, 4MM.....	F-8-10-26	GROMMET, UNDER CASE.....	F-8-10-3	JOINT ASSY (OUTLET).....	F-6-3
E-RING, 4MM.....	F-15-81	GROMMET, UNDER CASE(C).....	F-8-10-5	JOINT SET.....	E-18-10-6
E-RING, 4MM.....	FOP-8-1-76	GROMMET, VAPOR SEPARATOR.....	E-14-4	JOINT, DRIVE.....	F-11-20-16
E-RING, 6MM.....	F-2-43	GROMMET, WATER CHECK.....	F-8-15	JOINT, FUEL FEED HOSE.....	E-18-7
E-RING, 6MM.....	FOP-4-36	GROMMET, WATER TUBE.....	E-6-8	JOINT, FUEL PIPE.....	E-14-5
E-RING, 6MM.....	FOP-4-2-41	GUIDE COMP., AIR.....	E-15-10-4	JOINT, FUEL PIPE.....	E-18-10-34
E-RING, 6MM.....	FOP-4-4-28	GUIDE, HARNESS.....	F-1-46	JOINT, FUEL TUBE.....	E-15-10-3
E-RING, 7MM.....	F-1-77	GUIDE, HARNESS.....	FOP-8-1-46	JOINT, THREE WAY.....	E-18-18
E-RING, 7MM.....	F-15-82	GUIDE, OUTER TUBE.....	F-11-20-18	JOINT, WATER HOSE.....	F-3-30-9
E-RING, 7MM.....	FOP-8-1-77	GUIDE, SPRING.....	F-1-29	<K>	
<F>		GUIDE, SPRING.....	F-11-20-28	KEY, SPECIAL WOODRUFF, 25X18.....	E-7-9
FILTER.....	E-2-13	GUIDE, SPRING.....	FOP-8-1-29	KEY, WOODRUFF.....	F-4-24
FLOAT.....	E-2-14	GUIDE, THROTTLE HARNESS.....	F-1-39	KEY, WOODRUFF.....	F-4-1-27
FLOAT SET.....	E-18-10-2	GUIDE, THROTTLE HARNESS.....	FOP-8-1-39	KEY, WOODRUFF.....	FOP-1-14
FRAME ASSY., REMOTE CONTROL.....	F-15-1-10	<H>		KEY, WOODRUFF, 25X14.....	E-7-13
FRAME ASSY., SHIFT.....	F-1-5	HANDLE KIT, STEERING.....	FOP-8-1	KIT, CABLE(NMEA)(6FT).....	FOP-2-4-1
FRAME ASSY., SHIFT.....	FOP-8-1-5	HANDLE, REMOTE CONTROL.....	F-15-3	KNOB, RECOIL STARTER.....	F-13-1
FRAME ASSY., THROTTLE SUB.....	F-1-40	HANDLE, REMOTE CONTROL.....	F-15-1-2	<L>	
FRAME ASSY., THROTTLE SUB.....	FOP-8-1-40	HANDLE, REMOTE CONTROL.....	FOP-4-4	LABEL, FUSE.....	F-12-2
FRAME, MOUNT.....	F-11-1	HANDLE, REMOTE CONTROL.....	FOP-4-2-5	LABEL, OIL CAUTION.....	F-12-10
FRAME, THROTTLE.....	F-1-28	HANDLE, REMOTE CONTROL.....	FOP-4-4-3	LABEL, WARNING OPERATOR(EC).....	F-12-11
FRAME, THROTTLE.....	FOP-8-1-28	HANGER, ENGINE.....	E-3-3	LABEL, WARNING OPERATOR(EU).....	F-12-12
FUSE, BLADE(40A).....	F-7-3	HARNESS ASSY., MAIN WIRE.....	F-7-1	LAMP ASSY., INDICATION.....	F-15-45
FUSE, MINI(10A).....	F-7-11	HARNESS ASSY., MAIN WIRE.....	F-7-	LAMP ASSY., INDICATION(4-LED).....	FOP-3-18
FUSE, MINI(15A).....	F-7-12	HARNESS ASSY., POWER TRIM-TILT.....	F-15-1-27	LAMP ASSY., INDICATION(4-LED).....	FOP-3-1-11
FUSE, MINI(30A).....	F-7-13	HARNESS ASSY., REMOTE CONTROL.....	FOP-2-4-2	LAMP ASSY., INDICATOR.....	F-1-16
<G>		HARNESS ASSY., SWITCH PANEL.....	FOP-3-8	LAMP ASSY., INDICATOR.....	FOP-8-1-16
GASKET B, IMPELLER.....	F-4-1-6	HARNESS ASSY., SWITCH PANEL.....	FOP-3-1-4	LEVER SET, SHIFT.....	E-21-18
GASKET B, IMPELLER.....	FOP-1-8	HARNESS COMP.....	E-18-10-39	LEVER, FASTENER.....	F-8-7
GASKET KIT(BF60).....	FOP-1-1	HARNESS, TROLLING CONTROL.....	FOP-10-5	LEVER, FASTENER.....	F-8-10-12
GASKET, CYLINDER HEAD.....	E-2-5	HEAD COMP., CYLINDER.....	E-2-2	LEVER, FRICTION.....	F-11-8
GASKET, EX. PIPE.....	E-6-7	HOLDER.....	E-18-10-8	LEVER, FRICTION.....	FOP-8-6
GASKET, IMPELLER.....	F-4-6	HOLDER ASSY., BRUSH.....	E-21-11	LEVER, HANDLE LOCK.....	F-15-4
GASKET, IMPELLER.....	FOP-1-7	HOLDER, EX. PIPE GROMMET.....	F-3-1	LEVER, HANDLE LOCK.....	F-15-1-3
GASKET, MOUNT CASE.....	E-6-10	HOLDER, NEUTRAL LOCK.....	FOP-4-4-14	LEVER, IDLE.....	F-15-23
GASKET, WATER PUMP.....	F-4-1-8	HOLDER, OIL FILTER.....	E-3-18	LEVER, SHIFT.....	F-1-4
GASKET, WATER PUMP.....	FOP-1-9	HOLDER, PROPELLER SHAFT.....	F-5-12	LEVER, SHIFT.....	FOP-8-1-4
GAUGE COMP., OIL LEVEL.....	E-6-5	HOLDER, PROPELLER SHAFT.....	F-5-1-12	LIFTER, FUEL PUMP.....	E-2-11
GEAR ASSY., INTERNAL.....	E-21-16	HOLDER, SEAL.....	F-2-17	LIMIT KIT, TILT.....	FOP-9-1
GEAR COMP., FR. BEVEL(28T).....	F-5-1-8	HOLDER, SHIFT ROD.....	F-4-13	LINE COMP., FUEL.....	E-14-3
GEAR COMP., FR. BEVEL(29T).....	F-5-8	HOLDER, SHIFT ROD.....	F-4-1-15	LINER, PUMP.....	F-4-3
GEAR, PINION(12T).....	F-4-1-18	HOLDER, SWITCH.....	F-1-51	LINER, PUMP.....	F-4-1-3
GEAR, PINION(14T).....	F-4-17	HOLDER, SWITCH.....	FOP-8-1-51	LINER, PUMP.....	FOP-1-4
GEAR, PLANET.....	E-21-5	HOLDER, WATER TUBE SEAL.....	F-4-4	LINER, SWIVEL CASE.....	F-11-4
GEAR, RR. BEVEL(28T).....	F-5-1-9	HOLDER, WATER TUBE SEAL.....	F-4-1-4	LINK, THROTTLE.....	F-2-3
GEAR, RR. BEVEL(29T).....	F-5-9	HOLDER, WATER TUBE SEAL.....	FOP-1-5	LINKAGE, PIVOT.....	F-2-1
GEAR, SHIFT.....	F-1-37	HOSE.....	F-6-6	<M>	
GEAR, SHIFT.....	FOP-8-1-37	HOSE.....	F-6-7	MANIFOLD COMP., INLET.....	E-14-10
GENERATOR ASSY., A.C.....	E-19-1	HOSE COMP., FUEL.....	E-18-9	MARK, CHANGE.....	F-12-17
GRIP ASSY., THROTTLE FRICTION.....	F-1-49	HOUSING.....	F-1-19	MARK, CHANGE.....	FOP-8-12
GRIP ASSY., THROTTLE FRICTION.....	FOP-8-1-49	HOUSING.....	FOP-8-1-19	MARK, EMERGENCY START(ENGLISH).....	F-12-
GRIP, REMOTE CONTROL HANDLE.....	F-15-5	HOUSING ASSY., INNER.....	F-15-1-22	MARK, EMERGENCY START(EU).....	F-12-13
GRIP, REMOTE CONTROL HANDLE.....	F-15-1-4	HOUSING ASSY., L. INNER.....	FOP-4-3	MARK, EMERGENCY SWITCH.....	F-12-4

MARK, EMERGENCY SWITCH	FOP-8-10	NUT, SELF-LOCK, 8MM	F-11-21	PACKING, INTAKE MANIFOLD	E-14-8
MARK, FAST IDLE	F-15-50	NUT, SELF-LOCK, 8MM	FOP-8-19	PACKING, OIL PAN	E-6-2
MARK, FLUSH MOUNT	FOP-4-4-19	NUT, SPECIAL(12MM)	F-4-21	PACKING, REGULATOR	E-3-10
MARK, FR. EMBLEM(TOHATSU)	F-12-16	NUT, TAPPET ADJUSTING	E-9-21	PACKING, SINGLE	FOP-4-18
MARK, HANDLE FLUSH MOUNT	FOP-4-4-18	NUT, WATER MOUTH	F-3-30-8	PACKING, THROTTLE BODY	E-14-9
MARK, L. SIDE STRIPE	F-12-15	NUT,(3/8-24 UNF)	F-11-20	PAD, THROTTLE FRICTION	F-1-53
MARK, OPERATOR CAUTION	F-12-9	NUT-WASHER, 8MM	F-7-8	PAD, THROTTLE FRICTION	FOP-8-1-53
MARK, POWER THRUST	F-12-7	NUT-WASHER, 8MM	F-7-10-23	PANEL ASSY., INDICATOR(4-LED)	FOP-3-17
MARK, R. SIDE STRIPE	F-12-6	<O>		PANEL ASSY., SWITCH	FOP-3-5
MARK, REMOTE CONTROL(A)(PANEL)	F-15-1-31	OIL SEAL	F-11-20-45	PANEL ASSY., SWITCH	FOP-3-
MARK, REMOTE CONTROL(B)	F-15-1-32	OIL SEAL, 14X26X6	F-2-36	PANEL ASSY., TROLLING CONTROL	FOP-10-6
MARK, REMOTE CONTROL(C)	F-15-1-	OIL SEAL, 31X46X7(NOK)	E-5-7	PANEL KIT, SWITCH(4-LED)	FOP-3-
MARK, REMOTE CONTROL(DUAL)	FOP-4-2-24	OIL SEAL, 35X52X8(ARAI)	E-2-41	PANEL KIT, SWITCH(4-LED)	FOP-3-1-1
MARK, REMOTE CONTROL(SINGLE)	FOP-4-21	OIL SEAL, 39.5X52X6(ARAI)	F-11-31	PANEL KIT, SWITCH(4-LED)	FOP-3-1-
MARK, RR.(BFT60)	F-12-3	OIL SEAL, 52X72X8(NOK)	E-3-27	PANEL KIT, SWITCH(B)(4-LED) (EU)	FOP-3-1
MARK, STARTER(ENGLISH)	F-12-5	O-RING	E-2-17	PANEL, CONTROL	FOP-3-6
MARK, STARTER(ENGLISH)	FOP-8-11	O-RING	E-2-18	PANEL, CONTROL	FOP-3-
MARK, THROTTLE(ENGLISH/FRENCH)	F-12-18	O-RING	E-14-14	PANEL, CONTROL	FOP-3-7
MARK, THROTTLE(ENGLISH/FRENCH)	FOP-8-28	O-RING	E-18-10-12	PANEL, CONTROL	FOP-3-1-3
METAL COMP., ANODE	F-3-10-8	O-RING	E-18-10-14	PANEL, CONTROL	FOP-3-1-
METAL COMP., ANODE	F-3-11-10	O-RING	E-18-10-15	PIN, 5X44.5	F-8-10-21
METAL KIT, ANODE	F-10-1	O-RING	E-18-10-16	PIN, 5X59	F-8-27
METAL, ANODE	E-2-1	O-RING	E-18-10-18	PIN, 6X6	F-15-65
METAL, ANODE	E-3-6	O-RING	F-3-11-31	PIN, GEARSHIFT	F-15-1-45
METAL, JOINT	F-11-20-15	O-RING	F-4-1-33	PIN, LINK	F-2-33
METER LEAD WIRE	FOP-2-1-6	O-RING, 1.5X3.5	F-11-20-49	PIN, LINK	F-2-35
MOTOR ASSY., POWER TILT	F-11-20-5	O-RING, 1.5X6.5	F-11-20-48	PIN, LOCK, 6MM	F-15-64
MOTOR ASSY., STARTER	E-21-1	O-RING, 1.8X10.8	F-11-20-55	PIN, PISTON	E-7-3
MOUNT COMP., LOWER RUBBER	F-3-9	O-RING, 1.8X69.6	F-11-20-47	PIN, SHIFT LINK	F-2-34
MOUNT COMP., UPPER RUBBER	F-3-30-16	O-RING, 1.9X15.8	F-11-20-59	PIN, SHIFTER, 6.3X33	F-5-2
<N>		O-RING, 13X3.0	E-6-19	PIN, SHIFTER, 8X47	F-5-1-2
NIPPLE, GREASE	F-11-30	O-RING, 15.5X2.26	F-10-25	PIN, SLIDE	F-1-36
NIPPLE, SENSOR	F-13-5	O-RING, 15X1.9	E-2-46	PIN, SLIDE	FOP-8-1-36
NIPPLE, SENSOR	FOP-9-7	O-RING, 15X1.9	E-19-11	PIN, SNAP, 6MM	F-2-32
NUT(1/4X20)	F-15-1-41	O-RING, 16MM	F-3-30-29	PIN, SPLIT, 4.0	F-3-10-22
NUT, CASTLE, 16MM	F-5-16	O-RING, 2.0X28.5	F-11-20-57	PIN, SPLIT, 4.0	F-3-11-26
NUT, CASTLE, 18MM	F-5-1-15	O-RING, 2.0X34.5	F-11-20-58	PIN, SPLIT, 4.0	F-5-21
NUT, CLIP	F-8-23	O-RING, 2.0X45.5	F-11-20-56	PIN, SPLIT, 4.0	F-5-1-19
NUT, FLANGE CAP, 8MM	E-3-24	O-RING, 2.0X49.5	F-11-20-52	PIN, SPRING, 2.0X12	F-8-26
NUT, FLANGE, 10MM	F-3-30-22	O-RING, 2.0X52.5	F-11-20-51	PIN, SPRING, 2.5X20	F-11-29
NUT, FLANGE, 10MM	F-10-18	O-RING, 2.0X55.5	F-11-20-50	PIN, SPRING, 2.5X8	F-10-24
NUT, FLANGE, 5MM	FOP-3-3	O-RING, 2.4X15.8	F-11-20-60	PIN, UPPER CYLINDER	F-11-20-35
NUT, FLANGE, 5MM	FOP-3-1-2	O-RING, 2.4X41.2	F-11-20-54	PINION ASSY.	E-21-4
NUT, FLANGE, 6MM	F-7-20-23	O-RING, 20.6X1.9	F-1-73	PIPE COMP., EX.	E-6-6
NUT, FLANGE, 8MM	E-14-21	O-RING, 20.6X1.9	FOP-8-1-73	PIPE, HARNESS GUIDE	F-15-33
NUT, HEX., 12MM	F-1-1-7	O-RING, 21.2X2.4(ARAI)	E-5-8	PIPE, OIL STRAINER	E-6-4
NUT, HEX., 12MM	F-1-1-13	O-RING, 26.9X2.4(NOK)	F-2-38	PIPE, THREE WAY JOINT	E-18-10-37
NUT, HEX., 12MM	F-10-27	O-RING, 26X2.7	E-2-42	PIPE, THROTTLE GRIP	F-1-54
NUT, HEX., 12MM	FOP-8-18	O-RING, 3.5X41.7	F-11-20-53	PIPE, THROTTLE GRIP	FOP-8-1-54
NUT, HEX., 12MM	FOP-8-27	O-RING, 31.2X2.4	E-2-44	PISTON	E-7-2
NUT, HEX., 16MM	F-1-63	O-RING, 33.7X3.5	F-3-10-28	PIVOT, SHIFT	F-2-13
NUT, HEX., 16MM	F-4-1-22	O-RING, 33.7X3.5	F-4-30	PIVOT, SHIFT	F-15-18
NUT, HEX., 16MM	F-8-24	O-RING, 46.8X2.2(NOK)	E-2-43	PIVOT, SHIFT SLIDE	F-2-14
NUT, HEX., 16MM	F-15-55	O-RING, 5.1X2.2(ARAI)	E-3-28	PLATE	E-18-10-11
NUT, HEX., 16MM	FOP-3-23	O-RING, 58.5X3.5	F-3-10-30	PLATE COMP, SLIDING	F-15-16
NUT, HEX., 16MM	FOP-3-1-16	O-RING, 58.5X3.5	F-4-32	PLATE COMP, THROTTLE	F-2-4
NUT, HEX., 16MM	FOP-8-1-63	O-RING, 58.5X3.5	F-4-1-35	PLATE, AIR GUIDE	E-15-10-5
NUT, HEX., 20MM	F-7-20-24	O-RING, 58.5X3.5	FOP-1-17	PLATE, BALL GUIDE	F-1-38
NUT, HEX., 4MM	FOP-9-21	O-RING, 6.9X1.45	F-3-10-26	PLATE, BALL GUIDE	FOP-8-1-38
NUT, HEX., 4MM	FOP-10-8	O-RING, 6.9X1.45	F-3-10-27	PLATE, CABLE CLAMP	FOP-4-11
NUT, HEX., 5MM	F-2-41	O-RING, 6.9X1.45	F-3-11-29	PLATE, CABLE CLAMP	FOP-4-2-12
NUT, HEX., 5MM	F-15-79	O-RING, 6.9X1.45	F-3-11-30	PLATE, CRANK PULSER	E-13-3
NUT, HEX., 5MM	FOP-4-29	O-RING, 7.3X2.2	E-14-22	PLATE, DWELL	FOP-4-15
NUT, HEX., 5MM	FOP-4-35	O-RING, 7.8X1.9(ARAI)	E-14-23	PLATE, DWELL	FOP-4-2-16
NUT, HEX., 5MM	FOP-4-2-33	O-RING, 7.8X1.9(ARAI)	E-18-10-47	PLATE, DWELL	FOP-4-4-10
NUT, HEX., 5MM	FOP-4-2-34	O-RING, 76.5X3	F-3-10-29	PLATE, FRICTION	F-11-7
NUT, HEX., 5MM	FOP-4-2-40	O-RING, 76.5X3	F-5-26	PLATE, FRICTION	FOP-8-5
NUT, HEX., 5MM	FOP-9-20	O-RING, 9.5X1.9	E-2-45	PLATE, HANDLE	FOP-4-10
NUT, HEX., 6MM	F-15-56	O-RING, 9.5X1.9	E-3-29	PLATE, HANDLE	FOP-4-2-11
NUT, HEX., 6MM	F-15-78	O-RING, 94X4.1	F-3-11-32	PLATE, HARNESS	F-1-52
NUT, HEX., 6MM	FOP-4-4-25	O-RING, 94X4.1	F-5-1-25	PLATE, HARNESS	FOP-8-1-52
NUT, JOINT METAL	F-11-20-63	O-RING, PRESSURE REGULATOR	E-18-10-33	PLATE, LEVER SETTING	F-15-9
NUT, LOCK, 42MM	E-13-12	O-RING, THERMOSTAT COVER	E-2-21	PLATE, LOCK	F-1-23
NUT, LOCK, 64MM	F-4-1-21	O-RING, WATER PUMP	F-4-31	PLATE, LOCK	F-2-15
NUT, NYLON, 5MM	F-1-64	O-RING, WATER PUMP	F-4-1-34	PLATE, LOCK	FOP-8-1-23
NUT, NYLON, 5MM	FOP-8-1-64	O-RING, WATER PUMP	FOP-1-16	PLATE, REMOTE CONTROL	F-15-
NUT, SELF-LOCK(3/8-24UNF)	F-11-22	<P>		PLATE, REMOTE CONTROL CABLE	F-2-5
NUT, SELF-LOCK(7/8-14UNF)	F-10-17	PACKING	E-18-10-13	PLATE, REMOTE CONTROL(EU)	F-15-48
NUT, SELF-LOCK, 12MM	F-3-19	PACKING, DUAL	FOP-4-2-19	PLATE, REMOTE CONTROL(REVERSE)	F-15-49
NUT, SELF-LOCK, 5MM	F-3-10-17	PACKING, ELECTRONIC AIR	E-14-12	PLATE, RUBBER SETTING	F-3-10-2
NUT, SELF-LOCK, 5MM	F-3-11-20	PACKING, EX. WATER JACKET	E-2-23	PLATE, RUBBER SETTING	F-3-11-2
NUT, SELF-LOCK, 6MM	F-3-10-15	PACKING, FLASH VALVE	F-3-30-14	PLATE, SET	F-11-20-34
NUT, SELF-LOCK, 6MM	F-3-11-18	PACKING, HEAD COVER	E-2-7	PLATE, SHIFT	F-5-7

PLATE, SHIFT	F-5-1-7	ROLLER, 5X8	E-5-9	SCREW, TAPPING, 5X8	F-15-73
PLATE, SHIFT CLAMP	F-1-44	ROLLER, CAM	F-1-42	SCREW, TAPPING, 6X16	F-15-76
PLATE, SHIFT CLAMP	FOP-8-1-44	ROLLER, CAM	FOP-8-1-42	SCREW, TAPPING, 6X30	FOP-4-4-24
PLATE, SHIFT PIVOT	F-2-12	ROLLER, CLICK	F-15-67	SCREW, TRUSS, 4X12	FOP-4-4-21
PLATE, SPRING SETTING	F-15-24	ROLLER, PLATE	F-1-41	SCREW, WASHER	E-18-10-22
PLATE, STEERING	F-11-14	ROLLER, PLATE	FOP-8-1-41	SCREW,(M4X16)	E-21-3
PLATE, SWITCH	F-1-14	ROLLER, SHIFT CLICK	F-15-1-47	SCREW-WASHER	E-18-10-19
PLATE, SWITCH	FOP-8-1-14	ROPE, RECOIL STARTER	F-13-2	SCREW-WASHER	E-18-10-20
PLATE, TDC PULSER	E-9-4	ROTOR	E-19-2	SCREW-WASHER	F-11-20-38
PLATE, TIMING BELT GUIDE	E-13-2	RUBBER, CUSHION	F-8-11	SEAL A, COVER UNDER	F-3-30-18
PLATE, WINKER BUZZER	F-15-46	RUBBER, FENDER MOUNTING	F-8-6	SEAL A, VALVE STEM(NOK)	E-9-1
PLATE, WINKER BUZZER	FOP-3-19	RUBBER, FENDER MOUNTING	F-8-10-9	SEAL B, COVER UNDER	F-3-10
PLATE, WINKER BUZZER	FOP-3-1-12	RUBBER, GRIP	F-1-56	SEAL B, VALVE STEM(NOK)	E-9-2
PLUG COMP.	F-11-20-25	RUBBER, GRIP	FOP-8-1-56	SEAL SET	E-18-10-10
PLUG, FUEL TUBE	E-18-31	RUBBER, MOUNT CASE SEAL	F-3-30-15	SEAL, ENGINE COVER	F-8-10-11
PLUG, INNER CONNECTOR	F-1-9	RUBBER, OIL PUMP	F-3-30-2	SEAL, RR. UNDER COVER	F-8-12
PLUG, INNER CONNECTOR	F-15-36	RUBBER, TROLLING CONTROL	FOP-10-2	SEAL, WATER	F-11-20-46
PLUG, INNER CONNECTOR	FOP-2-4-3	RUBBER, WATER TUBE SEAL	F-4-8	SEAL, WATER CHECK GROMMET	F-8-16
PLUG, INNER CONNECTOR	FOP-3-10	RUBBER, WATER TUBE SEAL	F-4-1-10	SEAL, WATER(14X26X8)	F-2-37
PLUG, INNER CONNECTOR	FOP-3-1-5	RUBBER, WATER TUBE SEAL	FOP-1-10	SEAL, WATER, 12X21X6	F-3-10-25
PLUG, INNER CONNECTOR	FOP-8-1-9	<S>		SEAL, WATER, 12X21X6	F-3-11-28
PLUG, OUTER CONNECTOR	F-15-37	SCREEN COMP., FUEL STRAINER	E-18-10-35	SEAL, WATER, 12X21X6	F-4-29
PLUG, OUTER CONNECTOR	FOP-2-4-4	SCREEN, L. WATER	F-3-10-6	SEAL, WATER, 12X21X6	F-4-1-32
PLUG, OUTER CONNECTOR	FOP-3-11	SCREEN, L. WATER	F-3-11-8	SEAL, WATER, 17X26X7	F-3-30-28
PLUG, OUTER CONNECTOR	FOP-3-1-6	SCREEN, R. WATER	F-3-10-5	SEAL, WATER, 17X36X6	F-3-10-23
PLUG, SPARK(LMAR6C-9)	E-2-24	SCREEN, R. WATER	F-3-11-7	SEAL, WATER, 17X36X6	F-4-28
PORT, IDLE EXHAUST	F-3-30-4	SCREW A	F-15-1-33	SEAL, WATER, 22X35X7	F-3-10-24
PRIMER BULB	F-6-4	SCREW B	F-15-1-34	SEAL, WATER, 22X35X7	F-5-25
PRIMER BULB ASSY	F-6-1	SCREW C	F-15-1-35	SEAL, WATER, 23X36X6	F-4-1-31
PROPELLER COMP., THREE BLADES	FOP-6-1	SCREW SET	E-15-1	SEAL, WATER, 23X36X6	FOP-1-15
PROPELLER COMP., THREE BLADES	FOP-6-6	SCREW SET, DRAIN	E-18-10-5	SEAL, WATER, 30X45X7	F-3-11-27
PROPELLER COMP., THREE BLADES	FOP-6-6	SCREW(10-32X3/8)	F-15-1-39	SEAL, WATER, 30X45X7	F-5-1-24
PROPELLER COMP., THREE BLADES	FOP-6-6	SCREW(10-32X5/8)	F-15-1-40	SEAT B, VALVE	F-11-20-30
PROPELLER COMP., THREE BLADES	FOP-6-6	SCREW(8-32X3/8)	F-15-1-38	SEAT, VALVE SPRING	E-9-18
PROPELLER COMP., THREE BLADES	FOP-6-6	SCREW, 6X95	F-15-54	SEAT, WATER MOUTH	F-3-30-10
PROPELLER COMP., THREE BLADES	FOP-6-6	SCREW, FLAT, 5X12	F-15-53	SENSOR ASSY., AIR TEMP	E-15-10-8
PROPELLER COMP., THREE BLADES	FOP-6-6	SCREW, FLAT, 5X14	F-1-59	SENSOR ASSY., CRANK	E-19-5
PROPELLER COMP., THREE BLADES	FOP-6-6	SCREW, FLAT, 5X14	FOP-8-1-59	SENSOR ASSY., MAP	E-14-13
PROPELLER COMP., THREE BLADES	FOP-6-6	SCREW, FLAT, 5X37	F-3-10-12	SENSOR ASSY., TDC	E-2-27
PROPELLER COMP., THREE BLADES	FOP-6-6	SCREW, FLAT, 5X55	F-3-11-12	SENSOR ASSY., TRIM ANGLE	F-10-2
PROPELLER COMP., THREE BLADES	FOP-6-6	SCREW, FRICTION	F-15-1-36	SENSOR ASSY., WATER	E-2-26
PROPELLER COMP., THREE BLADES	FOP-6-6	SCREW, PAN	E-18-10-21	SENSOR ASSY., WATER	E-3-13
PULLER, MINI FUSE(SUMITOMO)	F-13-4	SCREW, PAN, 4X10	FOP-4-26	SENSOR, OXYGEN	E-2-25
PULLEY, TIMING BELT DRIVE(19T)	E-13-1	SCREW, PAN, 4X10	FOP-4-2-29	SEPARATOR ASSY., VAPOR	E-18-10-30
PULLEY, TIMING BELT DRIVEN	E-13-4	SCREW, PAN, 4X14	FOP-9-18	SHAFT ASSY., PROPELLER	F-5-10
PUMP	F-11-20-17	SCREW, PAN, 5X10	F-15-72	SHAFT ASSY., PROPELLER	F-5-1-10
PUMP ASSY., FUEL	E-2-10	SCREW, PAN, 5X10	FOP-4-23	SHAFT ASSY., THROTTLE	F-1-27
PUMP ASSY., OIL	E-5-1	SCREW, PAN, 5X10	FOP-4-2-26	SHAFT ASSY., THROTTLE	FOP-8-1-27
PUMP KIT, IMPELLER	FOP-1-1	SCREW, PAN, 5X14	F-1-75	SHAFT COMP., ROCKER	E-9-9
PUMP KIT, IMPELLER	FOP-1-1	SCREW, PAN, 5X14	FOP-8-1-75	SHAFT COMP., SHIFT	F-2-18
PUMP UNIT, FUEL	E-18-10-31	SCREW, PAN, 5X16	FOP-4-22	SHAFT COMP., TILT	F-10-10
<R>		SCREW, PAN, 5X16	FOP-4-2-25	SHAFT, GEAR SHIFT	F-15-1-19
RECTIFIER ASSY., REGULATOR	E-3-8	SCREW, PAN, 5X16	FOP-4-4-20	SHAFT, HANDLE	F-15-1-17
REGULATOR ASSY., PRESSURE	E-18-10-32	SCREW, PAN, 5X18	FOP-4-25	SHAFT, PINION	E-21-15
RELAY ASSY., MAIN	F-7-5	SCREW, PAN, 5X18	FOP-4-2-28	SHAFT, PROPELLER	F-5-11
RELAY ASSY., POWER TILT	F-7-20-13	SCREW, PAN, 5X20	E-2-47	SHAFT, PROPELLER(POWER THRUST)	F-5-1-11
RESERVOIR	F-11-20-36	SCREW, PAN, 5X20	F-11-20-42	SHAFT, SWIVEL	F-11-9
RETAINER	F-15-1-13	SCREW, PAN, 5X20	FOP-4-24	SHAFT, THROTTLE BUTTON	FOP-4-4-9
RETAINER, VALVE SPRING	E-9-17	SCREW, PAN, 5X20	FOP-4-2-27	SHAFT, VERTICAL(L)	F-4-14
RING	E-18-10-29	SCREW, PAN, 5X20	FOP-9-19	SHAFT, VERTICAL(L)	F-4-1-16
RING SET, PISTON(STD.)(RIKEN)	E-7-1	SCREW, PAN, 5X30	FOP-4-4-22	SHIFTER, CLUTCH	F-5-1
RING, BACKUP	E-18-10-17	SCREW, PAN, 5X40	FOP-3-22	SHIFTER, CLUTCH(POWER THRUST)	F-5-1-1
RING, CROSS PIN	F-5-3	SCREW, PAN, 5X40	FOP-3-1-15	SHIM A, BEVEL(FR.)(0.10)	F-5-1-18
RING, CROSS PIN	F-5-1-3	SCREW, PAN, 5X40	FOP-4-28	SHIM A, GEAR(0.10)	F-4-1-26
RING, SEAL	E-14-2	SCREW, PAN, 5X40	FOP-4-2-31	SHIM B, BEVEL(FR.)(0.15)	F-5-1
RING, STOPPER	F-4-12	SCREW, PAN, 5X55	FOP-4-2-32	SHIM B, GEAR(0.15)	F-4-1
RING, STOPPER	F-4-1-14	SCREW, PAN, 5X65	FOP-4-34	SHIM C, BEVEL(FR.)(0.30)	F-5-1
ROD A COMP., SHIFT(L)	F-4-11	SCREW, PAN, 5X65	FOP-4-2-39	SHIM C, GEAR(0.30)	F-4-1
ROD A COMP., SHIFT(L)	F-4-1-13	SCREW, PAN, 6X10	F-15-52	SHIM D, BEVEL(FR.)(0.50)	F-5-1
ROD COMP., ADJUSTING	F-10-7	SCREW, PAN, 6X18	E-3-31	SHIM D, GEAR(0.50)	F-4-1
ROD COMP., CONNECTING	E-7-5	SCREW, PAN, 6X18	FOP-4-27	SHIM, FR. BEVEL(A)(51X57X0.10)	F-5-20
ROD COMP., PISTON	F-11-20-14	SCREW, PAN, 6X18	FOP-4-2-30	SHIM, FR. BEVEL(B)(51X57X0.15)	F-5-5
ROD COMP., SHIFT	F-4-9	SCREW, PAN, 6X35	FOP-4-4-23	SHIM, FR. BEVEL(C)(51X57X0.30)	F-5-5
ROD COMP., SHIFT(L)	F-4-1-11	SCREW, PAN, 6X8	F-3-17	SHIM, FR. BEVEL(D)(51X57X0.50)	F-5-5
ROD COMP., THROTTLE	F-2-2	SCREW, PAN, 6X8	F-11-20-41	SHIM, GEAR(A)(40X46X0.10)	F-4-23
ROD KIT, STEERING	FOP-8-10-1	SCREW, PAN, 6X8	FOP-9-14	SHIM, GEAR(B)(40X46X0.15)	F-4-4
ROD, STEERING	F-11-15	SCREW, RIVET, 5X10	F-8-22	SHIM, GEAR(C)(40X46X0.30)	F-4-4
ROD, STEERING	FOP-8-10-2	SCREW, RIVET, 5X10	FOP-9-15	SHIM, GEAR(D)(40X46X0.50)	F-4-4
ROLLER	F-1-35	SCREW, TAPPET ADJUSTING	E-9-14	SLEEVE COMP.	F-11-20-24
ROLLER	FOP-8-1-35	SCREW, TAPPING, 5X10	F-15-74	SLIDER COMP., SHIFT	F-5-4
ROLLER, 3X12.8	F-5-24	SCREW, TAPPING, 5X12	F-15-75	SLIDER COMP., SHIFT	F-5-1-4
ROLLER, 3X12.8	F-5-1-23	SCREW, TAPPING, 5X20	E-15-10-11	SLIDER, SHIFT	F-5-5
ROLLER, 4X8	E-9-22	SCREW, TAPPING, 5X25	F-15-77	SLIDER, SHIFT(POWER THRUST)	F-5-1-5

SLINGER, OIL	F-4-15	SWITCH ASSY., POWER TRIM-TILT	F-15-40	WASHER, 22MM	F-5-17
SLINGER, OIL	F-4-1-17	SWITCH ASSY., POWER TRIM-TILT	F-15-1-30	WASHER, 28MM	F-15-63
SPACER	F-1-26	SWITCH ASSY., POWER TRIM-TILT	FOP-4-20	WASHER, 5MM	F-1-69
SPACER	FOP-8-1-26	SWITCH ASSY., POWER TRIM-TILT	FOP-4-2-22	WASHER, 5MM	FOP-8-1-69
SPACER KIT, REMOTE CONTROL BOX ..	FOP-4-2	SWITCH ASSY., POWER TRIM-TILT	FOP-4-2-23	WASHER, 6MM	F-15-61
SPACER KIT, REMOTE CONTROL BOX ..	FOP-4-2-2	SWITCH ASSY., POWER TRIM-TILT	FOP-4-4-17	WASHER, 8MM	F-1-66
SPACER, 10MM	F-5-14	SWITCH ASSY., TILT LIMIT	FOP-9-5	WASHER, 8MM	F-4-1-25
SPACER, CABLE CLAMP	F-15-34	SWITCH ASSY., TROLLING CONTROL ..	F-1-12	WASHER, 8MM	F-11-26
SPACER, CABLE CLAMP	FOP-4-17	SWITCH ASSY., TROLLING CONTROL ..	FOP-8-1-12	WASHER, 8MM	FOP-1-13
SPACER, CABLE CLAMP	FOP-4-2-18	SWITCH ASSY., TROLLING CONTROL ..	FOP-10-1	WASHER, 8MM	FOP-8-21
SPACER, CABLE CLAMP	FOP-4-4-13	<T>		WASHER, 8MM	FOP-8-1-66
SPACER, CLICK SPRING	F-15-28	TAB, TRIM	F-3-10-7	WASHER, DRAIN PLUG, 12MM	E-6-17
SPACER, NEUTRAL SWITCH	F-15-31	TAB, TRIM	F-3-11-9	WASHER, DRAIN PLUG, 20MM	E-2-48
SPACER, REMOTE CONTROL BOX	F-15-27	TACHOMETER HOUR METER (BLACK) ..	FOP-2-1-4	WASHER, IN. WAVE	E-9-11
SPOOL COMP.	F-11-20-23	TENSIONER COMP., TIMING BELT	E-13-6	WASHER, LOCK, 5MM	FOP-4-30
SPRING	F-1-32	TERMINAL, CABLE	FOP-4-16	WASHER, LOCK, 5MM	FOP-4-2-35
SPRING	FOP-8-1-32	TERMINAL, CABLE	FOP-4-2-17	WASHER, LOCK, 5MM	FOP-4-4-26
SPRING COMP., CLICK	F-2-9	TERMINAL, CABLE	FOP-4-4-12	WASHER, LOCK, 6MM	FOP-4-32
SPRING COMP., TIMING BELT	E-13-8	THERMOSTAT ASSY.	E-2-19	WASHER, LOCK, 6MM	FOP-4-2-37
SPRING, ACCELERATOR WHEEL	F-15-22	TIE, CABLE	FOP-2-4-5	WASHER, NYLON, 8MM	F-2-29
SPRING, ADJUSTING ROD	F-10-9	TIE, CABLE(NATURAL)(2.4X92)	F-7-20-8	WASHER, NYLON, 8MM	F-11-27
SPRING, CHOKE RETURN	F-15-26	TIE, CABLE(NATURAL)(2.4X92)	F-15-38	WASHER, NYLON, 8MM	FOP-8-23
SPRING, CLICK ASSIST	F-2-10	TIE, CABLE(NATURAL)(2.4X92)	FOP-3-12	WASHER, PIVOT	F-2-8
SPRING, COMPRESSION	E-18-10-36	TRIM-METER ASSY (BLACK)	FOP-2-1-1	WASHER, PLAIN, 10MM	E-13-14
SPRING, EX. VALVE	E-9-16	TRIM-TILT ASSY., POWER	F-11-20-13	WASHER, PLAIN, 10MM	F-3-10-20
SPRING, FLUSH VALVE	F-3-30-12	TUBE A, AIR VENT	E-18-10-23	WASHER, PLAIN, 10MM	F-3-11-23
SPRING, GEAR SHIFT	F-15-1-20	TUBE A, WATER	F-3-30-5	WASHER, PLAIN, 10MM	F-3-30-23
SPRING, IN. VALVE	E-9-15	TUBE B, AIR VENT	E-18-10-24	WASHER, PLAIN, 10MM	F-10-20
SPRING, MOTOR	F-11-20-10	TUBE B, CHECK VALVE	E-18-3	WASHER, PLAIN, 12MM	F-1-1-10
SPRING, NEUTRAL LOCK ARM	FOP-4-4-7	TUBE B, WATER	F-3-30-6	WASHER, PLAIN, 12MM	F-1-1-11
SPRING, RELIEF VALVE	E-5-4	TUBE C, AIR VENT	E-18-4	WASHER, PLAIN, 12MM	F-3-22
SPRING, REMOTE CONTROL HANDLE ..	F-15-8	TUBE C, FUEL	E-18-14	WASHER, PLAIN, 12MM	F-3-26
SPRING, REMOTE CONTROL HANDLE ..	F-15-1-5	TUBE C, WATER	F-3-30-7	WASHER, PLAIN, 12MM	F-4-22
SPRING, SHIFT	F-5-6	TUBE COMP. A, BREATHER	E-15-10-1	WASHER, PLAIN, 12MM	F-4-1-23
SPRING, SHIFT CLICK	F-15-25	TUBE COMP. A, FUEL	E-18-11	WASHER, PLAIN, 12MM	F-10-21
SPRING, SHIFT CLICK	F-15-1-24	TUBE COMP. B, BREATHER	E-15-10-2	WASHER, PLAIN, 12MM	F-10-22
SPRING, SHIFT ROD	F-4-10	TUBE COMP. B, FUEL	E-18-12	WASHER, PLAIN, 12MM	FOP-8-24
SPRING, SHIFT ROD	F-4-1-12	TUBE COMP., DRAIN	E-18-2	WASHER, PLAIN, 12MM	FOP-8-25
SPRING, SHIFT(POWER THRUST)	F-5-1-6	TUBE D, AIR VENT	E-18-5	WASHER, PLAIN, 18.5MM	F-5-1-17
SPRING, TILT LEVER	F-11-10	TUBE D, FUEL	E-18-13	WASHER, PLAIN, 4MM	F-15-57
SPRING, VALVE	F-11-20-31	TUBE E, AIR VENT	E-18-6	WASHER, PLAIN, 4MM	FOP-9-16
STATOR	E-19-3	TUBE KIT, SPEED SENSOR	FOP-9-2	WASHER, PLAIN, 5MM	F-15-58
STAY	F-1-43	TUBE, 5X530	FOP-9-22	WASHER, PLAIN, 5MM	F-15-59
STAY	FOP-8-1-43	TUBE, 5X950	FOP-9-23	WASHER, PLAIN, 5MM	FOP-3-25
STAY, FUEL STRAINER	E-14-7	TUBE, CORD, 30MM	F-1-74	WASHER, PLAIN, 5MM	FOP-3-1-18
STAY, POWER TILT SWITCH	F-8-3	TUBE, CORD, 30MM	FOP-8-1-74	WASHER, PLAIN, 5MM	FOP-4-31
STOPPER SET, WASHER	E-21-9	TUBE, CORRUGATE(28MM)	F-15-1	WASHER, PLAIN, 5MM	FOP-4-33
STOPPER, ENGINE SIDE	F-3-30-1	TUBE, FLUSH VALVE	F-3-30-30	WASHER, PLAIN, 5MM	FOP-4-2-36
STOPPER, ROD	F-10-8	TUBE, FUEL, 5.3X35	E-18-29	WASHER, PLAIN, 5MM	FOP-4-2-38
STOPPER, SHIFT	F-1-24	TUBE, FUEL, 8X130	F-3-30-32	WASHER, PLAIN, 6MM	F-2-26
STOPPER, SHIFT	FOP-8-1-24	TUBE, OIL	E-2-8	WASHER, PLAIN, 6MM	F-4-1-24
STOPPER, TILT	F-11-13	TUBE, OUTER	F-11-20-32	WASHER, PLAIN, 6MM	F-15-60
STRAINER ASSY., FUEL	E-2-12	TUBE, PRESSURE REGULATOR	E-18-8	WASHER, PLAIN, 6MM	FOP-4-4-27
STRAINER COMP., FUEL	E-18-17	TUBE, SPIRAL	FOP-9-6	WASHER, PLAIN, 6MM	FOP-8-10-4
STRAINER COMP., OIL	E-6-3	TUBE, SPIRAL(12X14.6)	F-11-20-4	WASHER, PLAIN, 8MM	E-6-16
SUB HARNESS ASSY., POWER	FOP-4-19	TUBE, WATER(L)	F-4-7	WASHER, PLAIN, 8MM	F-2-30
SUB HARNESS ASSY., POWER	FOP-4-2-20	TUBE, WATER(L)(POWER THRUST) ..	F-4-1-9	WASHER, PLAIN, 8MM	F-3-21
SUB HARNESS ASSY., POWER	FOP-4-2-21	<V>		WASHER, PLAIN, 8MM	F-3-10-19
SUB HARNESS ASSY., POWER	FOP-4-4-16	VALVE ASSY., ELECTRONIC AIR	E-14-11	WASHER, PLAIN, 8MM	F-3-11-22
SUSPENSION, COUPLER	F-7-2	VALVE COMP.	F-11-20-27	WASHER, PLAIN, 8MM	F-7-10-26
SUSPENSION, IGNITION COIL	E-20-10-6	VALVE COMP. B	F-11-20-22	WASHER, PLAIN, 8MM	F-15-62
SUSPENSION, RELAY	F-7-6	VALVE COMP., MANUAL	F-11-20-26	WASHER, PLATE	F-1-68
SUSPENSION, STARTER	E-21-19	VALVE SET	F-11-20-29	WASHER, PLATE	FOP-8-1-68
SUSPENSION, STRAINER	E-2-16	VALVE SET, FLOAT	E-18-10-1	WASHER, PROPELLER THRUST	F-5-18
SUSPENSION, WARNING BUZZER	F-1-18	VALVE, CHECK	E-18-20	WASHER, PROPELLER THRUST	F-5-1-16
SUSPENSION, WARNING BUZZER	FOP-8-1-18	VALVE, EX	E-9-13	WASHER, SEAL	F-11-20-43
SWITCH ASSY., COMBINATION	F-1-10	VALVE, FLASH	F-3-30-13	WASHER, SEALING, 24MM	E-3-2
SWITCH ASSY., COMBINATION	F-15-39	VALVE, IN.	E-9-12	WASHER, SEALING, 6MM	E-3-25
SWITCH ASSY., COMBINATION	FOP-3-13	VALVE, RELIEF	E-5-3	WASHER, SEALING, 6MM	E-18-10-45
SWITCH ASSY., COMBINATION	FOP-3-1-7	<W>		WASHER, SHIFT SHAFT	F-2-25
SWITCH ASSY., COMBINATION	FOP-8-1-10	WASHER	F-1-65	WASHER, SIDE, 14MM	F-2-24
SWITCH ASSY., EMERGENCY STOP	F-1-11	WASHER	F-1-67	WASHER, SPRING, 4MM	FOP-10-9
SWITCH ASSY., EMERGENCY STOP	F-15-42	WASHER	F-15-1-42	WASHER, SPRING, 5MM	FOP-3-26
SWITCH ASSY., EMERGENCY STOP	F-15-1-28	WASHER	F-15-1-43	WASHER, SPRING, 5MM	FOP-3-1-19
SWITCH ASSY., EMERGENCY STOP	FOP-3-14	WASHER	FOP-8-1-65	WASHER, THRUST	E-7-10
SWITCH ASSY., EMERGENCY STOP	FOP-3-1-8	WASHER	FOP-8-1-67	WASHER, THRUST	E-9-10
SWITCH ASSY., EMERGENCY STOP	FOP-8-1-11	WASHER, 10MM	F-1-1-9	WASHER, THRUST, 34MM	F-11-24
SWITCH ASSY., MAGNETIC	E-21-14	WASHER, 10MM	F-11-25	WASHER, WAVE, 14MM	F-1-1-8
SWITCH ASSY., NEUTRAL	F-7-20-9	WASHER, 10MM	FOP-8-22	WASHER, WAVE, 14MM	FOP-8-20
SWITCH ASSY., OIL PRESSURE	E-3-12	WASHER, 12.5X34X5	E-13-13	WASHER, WAVE, 26MM	F-10-19
SWITCH ASSY., POWER TILT	F-1-13	WASHER, 13MM	F-2-28	WASHER, WAVE, 40MM	F-11-23
SWITCH ASSY., POWER TILT	F-8-2	WASHER, 14MM	F-2-27	WHEEL, ACCELERATOR	F-15-21
SWITCH ASSY., POWER TILT	FOP-8-1-13	WASHER, 17MM	F-5-19	WHEEL, CONTROL	F-15-14

WHEEL, CONTROL	F-15-1-16
WIRE, FASTENER	F-8-8
WIRE, FASTENER	F-8-10-13
WIRE, LEAD(1.5X116MM)	F-3-7
WIRE, LEAD(1.5X116MM)	F-11-20-11
WRENCH, BOX(10MM)	F-13-10
WRENCH, PLUG	F-13-9
<Y>	
YOKE ASSY	E-21-6
YOKE COMP	F-11-20-9

HZZ3-53238-610.	F-11-15	HZZ3-91254-003.	F-11-20-46
HZZ3-56000-033.	F-11-20-13	HZZ3-91351-000.	F-3-10-28
HZZ3-56110-013.	F-11-20-14	HZZ3-91351-000.	F-4-30
HZZ3-56113-003.	F-11-20-15	HZZ3-91352-000.	F-3-10-29
HZZ3-56123-003.	F-11-20-19	HZZ3-91352-000.	F-5-26
HZZ3-56135-013.	F-11-20-21	HZZ3-91353-003.	F-11-20-53
HZZ3-56140-003.	F-11-20-22	HZZ3-91354-003.	F-11-20-54
HZZ3-56163-003.	F-11-20-25	HZZ3-91355-003.	F-11-20-56
HZZ3-56170-003.	F-11-20-26	HZZ3-91356-000.	F-4-31
HZZ3-56180-003.	F-11-20-27	HZZ3-91356-000.	F-4-1-34
HZZ3-56190-003.	F-11-20-29	HZZ3-91356-000.	FOP-1-16
HZZ3-56511-003.	F-11-20-32	HZZ3-91357-003.	F-11-20-59
HZZ3-56851-003.	F-11-20-36	HZZ3-91405-000.	F-3-30-30
HZZ3-56860-003.	F-11-20-37	HZZ3-91451-000.	F-5-27
HZZ3-58130-W71ZA	FOP-6-	HZZ3-91552-000.	F-2-40
HZZ3-58130-W81ZA	FOP-6-	HZZ3-91553-000.	F-8-10-24
HZZ3-58130-W91ZA	FOP-6-	HZZ3-91554-000.	FOP-8-10-5
HZZ3-63100-010ZC.	F-8-10-10	HZZ5-06325-600.	FOP-3-2
HZZ3-63102-000.	F-8-10-11	HZZ5-06325-700.	FOP-3-
HZZ3-63710-000ZC.	F-8-9	HZZ5-06325-800.	FOP-3-
HZZ3-63715-000ZC.	F-8-10	HZZ5-16013-003.	E-18-10-2
HZZ3-63718-000.	F-3-30-18	HZZ5-16041-003.	E-18-10-7
HZZ3-63719-000.	F-3-10	HZZ5-16042-003.	E-18-10-8
HZZ3-63724-000.	F-8-12	HZZ5-16061-003.	E-18-10-9
HZZ3-63731-000ZC.	F-8-13	HZZ5-16063-003.	E-18-10-10
HZZ3-63736-000ZC.	F-8-14	HZZ5-16064-003.	E-18-10-11
HZZ3-87121-R00	F-12-3	HZZ5-16066-003.	E-18-10-12
HZZ3-87125-R00	F-12-5	HZZ5-16072-003.	E-18-10-13
HZZ3-87125-R00	FOP-8-11	HZZ5-16073-003.	E-18-10-14
HZZ3-87132-R00	F-12-6	HZZ5-16074-003.	E-18-10-15
HZZ3-87133-R00	F-12-15	HZZ5-16075-003.	E-18-10-16
HZZ3-87301-R00	F-12-16	HZZ5-16076-003.	E-18-10-17
HZZ3-87546-000.	F-12-	HZZ5-16077-003.	E-18-10-18
HZZ3-87546-690.	F-12-13	HZZ5-16620-010.	E-14-3
HZZ3-87701-R00	F-15-	HZZ5-16709-003.	E-18-10-26
HZZ3-87701-R40	FOP-4-4-18	HZZ5-16718-003.	E-18-10-27
HZZ3-87701-R50	F-15-48	HZZ5-16735-003.	E-18-10-31
HZZ3-87703-R01	FOP-4-2-24	HZZ5-16740-003.	E-18-10-32
HZZ3-87703-R81	FOP-4-21	HZZ5-16900-003.	E-2-12
HZZ3-89216-000.	F-13-9	HZZ5-16901-003.	E-2-13
HZZ3-90001-003.	E-3-14	HZZ5-16906-003.	E-2-14
HZZ3-90002-000.	E-6-11	HZZ5-16911-003.	E-18-10-35
HZZ3-90003-000.	E-2-29	HZZ5-16912-003.	E-2-15
HZZ3-90004-000.	E-2-30	HZZ5-16913-003.	E-18-10-36
HZZ3-90005-000.	E-6-12	HZZ5-16918-003.	E-2-17
HZZ3-90006-000.	E-6-13	HZZ5-16919-003.	E-2-18
HZZ3-90008-000.	E-6-14	HZZ5-17107-003.	E-14-9
HZZ3-90011-000.	E-2-32	HZZ5-17315-000.	E-15-10-6
HZZ3-90101-000.	F-3-30-20	HZZ5-17374-000.	E-15-10-7
HZZ3-90103-000.	F-3-10-12	HZZ5-32166-003.	E-18-10-38
HZZ3-90103-A41	F-1-57	HZZ5-32167-003.	E-18-10-39
HZZ3-90103-A41	FOP-8-1-57	HZZ5-32185-600.	FOP-3-4
HZZ3-90106-000.	F-8-19	HZZ5-32185-700.	FOP-3-
HZZ3-90106-000.	F-8-10-17	HZZ5-32185-800.	FOP-3-
HZZ3-90111-A41	F-1-59	HZZ5-32530-000.	F-15-35
HZZ3-90111-A41	FOP-8-1-59	HZZ5-32545-000.	FOP-3-8
HZZ3-90112-A41	F-1-60	HZZ5-32545-000.	FOP-3-1-4
HZZ3-90112-A41	FOP-8-1-60	HZZ5-32580-600.	FOP-3-9
HZZ3-90113-A41	F-1-61	HZZ5-32580-700.	FOP-3-
HZZ3-90113-A41	FOP-8-1-61	HZZ5-32580-800.	FOP-3-
HZZ3-90114-A41	F-1-62	HZZ5-36550-003.	E-14-11
HZZ3-90114-A41	FOP-8-1-62	HZZ5-37210-013.	F-15-45
HZZ3-90129-000.	F-10-15	HZZ5-37210-712.	FOP-3-1-11
HZZ3-90202-000.	E-13-12	HZZ5-37210-762.	FOP-3-18
HZZ3-90302-003.	F-11-20-63	HZZ5-38414-003.	FOP-3-21
HZZ3-90305-A41	F-1-64	HZZ5-38414-003.	FOP-3-1-14
HZZ3-90305-A41	FOP-8-1-64	HZZ5-38586-003.	F-7-6
HZZ3-90501-A41	F-1-65	HZZ5-41107-000ZD.	F-3-10-7
HZZ3-90501-A41	FOP-8-1-65	HZZ5-50211-000.	F-11-4
HZZ3-90502-A41	F-1-67	HZZ5-50340-000.	F-10-7
HZZ3-90502-A41	FOP-8-1-67	HZZ5-53233-000ZD.	F-1-1-3
HZZ3-90503-A41	F-1-68	HZZ5-53233-000ZD.	FOP-8-9
HZZ3-90503-A41	FOP-8-1-68	HZZ5-87701-790.	F-15-49
HZZ3-90651-003.	F-3-24	HZZ5-90001-000.	E-15-10-10
HZZ3-90752-000.	F-2-34	HZZ5-91051-003.	F-5-22
HZZ3-90753-000.	F-2-35		
HZZ3-91052-003.	F-4-26		
HZZ3-91251-003.	F-3-10-23		
HZZ3-91251-003.	F-4-28		
HZZ3-91252-003.	F-3-11-27		
HZZ3-91252-003.	F-5-1-24		
HZZ3-91253-003.	F-4-1-31		
HZZ3-91253-003.	FOP-1-15		

Note

TOHATSU CORPORATION

**Address : 5-4,3-chome,Azusawa,Itabashi-ku,
TOKYO,174-0051 JAPAN**

Phone : TOKYO (03)3966-3117

FAX : TOKYO (03)3966-0090

Website : www.tohatsu.co.jp

**2014
PARTS CATALOG**

**BFT 60A
BFW 60A**